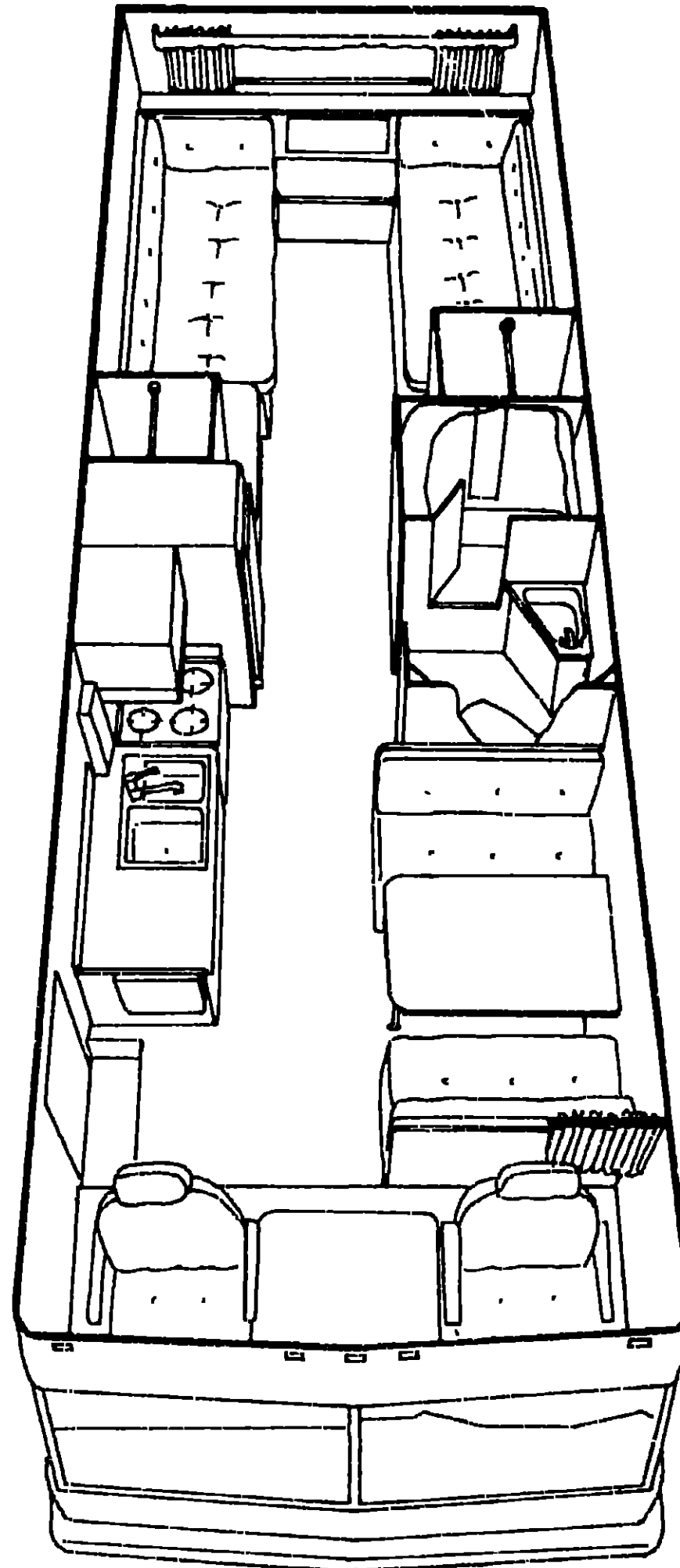


# 1976 D27CU



## 1976 WINNEBAGO TABLE OF CONTENTS

Introduction	A-1
Abbreviations	A-1
Alphabetical Index	A-2 - A-4
D19	A-5 - B-16
D21	B-17 - D-4
D26RT	D-5 - E-18
D26CU	E-19 - G-4
D26CUL	G-5 - H-16
D27CU	H-17 - J-4
D27CUL	J-5 - K-12
D29CU	K-13 - L-22

## 1976 D27CU INDEX

Floor Plan	H-17 - H-18
Accessories Group	H-19 - H-20
Bath Group	H-21 - H-22
Chassis Group	H-23
Curtain, Cushion & Pad Group	H-24
	I-1 - I-3
Dinette Group	I-3
Driver's Compartment Group	I-4 - I-5
Electrical Group	I-6 - I-7
Exterior Body Group	I-8 - I-11
Galley Group	I-12
Heating & Air Conditioning Group	I-13 - I-14
Interior Finish Group	I-15 - I-16
LP Group	I-17
Lounge Group	I-18
Water & Sewage Group	I-19
Window, Vent & Exterior Door Group	I-20 - I-24
	J-1 - J-4

## ACCESSORIES GROUP

### RADIOS AND RELATED ACCESSORIES

Key	Part Number	U/M	Description
	049731-01-000	EA	Radio - AM/FM/MPX w/Fader - Clarion
	049732-01-000	EA	Radio - AM/FM/MPX/8-Track w/Fader - Clarion
	039879-01-000	EA	Speaker Kit - 5 3/4" w/Cover
	048153-01-000	EA	Antenna - CB Camper Style
	031105-01-000	EA	Antenna - Side Mounted
	031105-01-700	EA	Clip - Radio Antenna - Side Mounted - Upper
	048154-01-000	EA	Radio - CB - Messenger 323 Johnson
	048146-01-000	EA	Radio - CB - Messenger 123A Johnson
	024983-01-000	EA	Switch - Fader - Speaker

### SPEED CONTROL AND COMPONENTS

Key	Part Number	U/M	Description
	024746-01-000	EA	Speed Control Pkg. 440 Dodge Lever Type A Body
	007255-01-700	EA	Regulator Asm.
	024746-01-701	EA	Servo Asm.
	024746-01-702	EA	Engage Switch - Lever
	007255-01-703	EA	Cable Asm. - Transmission - 42"
	007255-01-704	EA	Switch Asm. - Decelerate
	024746-01-700	EA	Relay - Speed Control

### FRONT BUNK AND HARDWARE

Key	Part Number	U/M	Description
	042286-01-000	EA	Bunk Asm. - Front Overhead w/Carpet on Underside
	040071-01-700	EA	Support - Bunk - Seat Belt w/Catch
	042201-01-000	EA	Support Asm. - Overhead Bunk - Beige

### GENERATORS AND INSTALLATION KITS

Key	Part Number	U/M	Description
	044066-01-000	EA	Generator - 4000 Watt - Tray Mount - Onan
	007058-01-000	EA	Generator - 5000 Watt - Tray Mount - Onan
	007230-01-000	EA	Generator - 6500 Watt - Tray Mount - Onan
	045720-01-000	EA	Tray Asm. - Generator - Onan
	007292-01-000	EA	Muffler - Generator - Onan
	007131-01-000	EA	Hanger - Tailpipe
	024976-01-000	EA	Switch - Generator - w/o Circuit Board
	007067-01-000	SF	Insulation - Fiberglass - 1"
	050279-01-000	EA	Tray - Generator - Kohler
	041420-01-000	EA	Elbow - Steel - 1/8" MPT x 3/16" Barb
	042865-01-000	EA	Scoop - Generator Air

## ACCESSORIES GROUP (CONTINUED)

### MISCELLANEOUS ACCESSORIES

Key	Part Number	U/M	Description
	044148-01-000	EA	TV - 13" Color - Sharp
	006053-01-000	EA	Antenna - TV - Braund Delux.
	006093-01-000	EA	Jack - TV - Brown
	042563-01-000	EA	Oven - Microwave - Winnebago (By Panasonic)
	042344-01-000	EA	Luggage Rack Asm. - w/Ladder
	042344-02-000	EA	Ladder Only - For Rack and Ladder Asm.
	006113-01-000	EA	Jack - Hydraulic - 5 Ton
	041944-01-700	EA	Fire Extinguisher - Dry Chemical - w/Bracket
	017516-01-000	EA	Mudflap - Black - 14" x 18" - w/Holes
	006069-01-000	EA	Case - Leather Key - Motor Home
	007038-01-000	EA	Mat - Door - Black Rubber - 10 1/2" x 26"
	031396-02-000	EA	Cover - Wheel - 19.5" Chrome
	044399-01-000	EA	Thermometer - Outside - Chrome
	047226-01-000	EA	Tire Cover - Black - w/Zipper
	003174-01-000	EA	Vacuum Cleaner - w/o Attachments
	003174-02-000	EA	Attachment Package - Vacuum Cleaner
	700108-01-000	EA	Bag - Vacuum - Disposable
	042562-01-000	EA	Slide Asm. - Vacuum - 22" - Right
	042562-02-000	EA	Slide Asm. - Vacuum - 22" - Left
	036420-01-000	EA	Fan - Defroster
	005076-01-000	EA	Ladder Asm. - Bunk - 66" Alum.
	023111-01-000	EA	Power Unit - Food Center w/Blender
	023111-02-000	EA	Ice Crusher - For Food Center
	043741-01-000	EA	Weather Center - 7" x 10" - Gold
	042441-01-000	EA	Lock - For Luggage Rack Ladder

## 1976 WINNEBAGO TABLE OF CONTENTS

Introduction	A-1
Abbreviations	A-1
Alphabetical Index	A-2 - A-4
D19	A-5 - B-16
D21	B-17 - D-4
D26RT	D-5 - E-18
D26CU	E-19 - G-4
D26CUL	G-5 - H-16
D27CU	H-17 - J-4
D27CUL	J-5 - K-12
D29CU	K-13 - L-22

## 1976 D27CU INDEX

Floor Plan	H-17 - H-18
Accessories Group	H-19 - H-20
Bath Group	H-21 - H-22
Chassis Group	H-23
Curtain, Cushion & Pad Group	H-24
	I-1 - I-3
Dinette Group	I-3
Driver's Compartment Group	I-4 - I-5
Electrical Group	I-6 - I-7
Exterior Body Group	I-8 - I-11
Galley Group	I-12
Heating & Air Conditioning Group	I-13 - I-14
Interior Finish Group	I-15 - I-16
LP Group	I-17
Lounge Group	I-18
Water & Sewage Group	I-19
Window, Vent & Exterior Door Group	I-20 - I-24
	J-1 - J-4

## BATH GROUP

### BATH CABINETRY

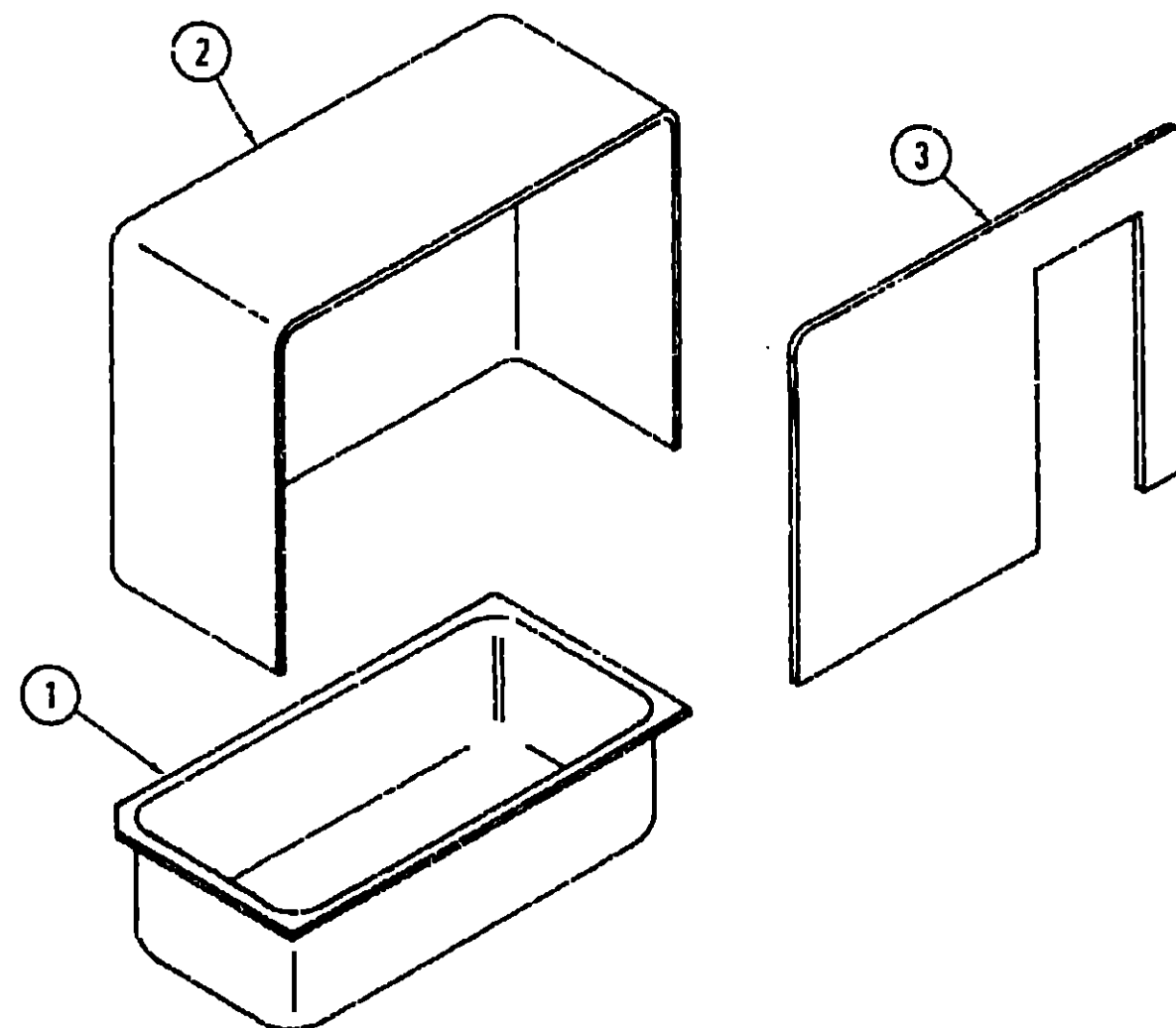
Key	Part Number	U/M	Description
	044552-01-700	EA	Cabinet Asm. - Lavatory - w/o Top, Doors or Hardware
	041935-18-700	EA	Door Asm. - Lavatory Cabinet - 9 3/4" x 19 1/2" - w/o Hardware
	011056-01-000	EA	Faucet - Lavatory
	011083-01-000	EA	Plug - Sink - w/Chain
	044067-01-000	EA	Lavatory - Bath
	045051-01-700	EA	Cabinet Asm. - Medicine - Rear - w/o Doors or Hardware
	042529-04-700	EA	Door Asm. - Medicine Cabinet - w/o Hardware
	044989-01-700	EA	Cabinet Asm. - Medicine - Side - w/o Doors or Hardware
	042964-05-000	EA	Door Asm. - Medicine Cabinet - Sliding - 7 3/4" x 13"
	009785-01-000	FT	Track - Medicine Cabinet - Sliding Door - Upper - Dark Brown
	009786-01-000	FT	Track - Medicine Cabinet - Sliding Door - Lower - Dark Brown
	045358-01-700	EA	Door Asm. - Bathroom - w/o Hardware

### BATH HARDWARE

Key	Part Number	U/M	Description
	009134-01-000	EA	Holder - Tissue
	009133-02-000	EA	Bar - Towel Rack - 18" - Plastic
	023449-01-000	EA	Support - Towel Rack - Chrome
	033580-01-000	EA	Ring - Towel - Chrome w/Plastic Ring
	031558-01-000	EA	Faucet Tub and Shower
	011048-01-000	EA	Shower Head - w/60" Hose
	011069-01-000	EA	Tailpiece - 1 1/4" x 4" - Brass
	011086-01-000	EA	Strainer - Shower Pan
	053417-02-000	EA	Door Asm. - Shower - Anod. Clear
	050233-02-000	EA	Striker - Door Jamb - Brown
	043566-05-000	EA	Jamb - Shower Door - Bottom - Brown
	043567-03-000	EA	Jamb - Shower Door - Right - Brown
	043567-04-000	EA	Jamb - Shower Door - Left - Brown
	009124-01-000	EA	Lock - Bath Door - Push Button - Brass
	009150-01-000	EA	Warp Guard - 64"
**	039341-02-000	EA	Toilet - Ivory - Aqua Magic Model SH
**	041840-01-000	EA	Toilet - Marine - Aqua Magic III

\*\*The illustrated parts breakdown for this item is provided on the Common Items Fiche.

## BATH GROUP (CONTINUED)



Key	Part Number	U/M	Description
1	043727-01-000	EA	Bathtub Bottom
2	043728-01-000	EA	Bathtub Rear
3	043726-01-000	EA	Bathtub Front

## 1976 WINNEBAGO TABLE OF CONTENTS

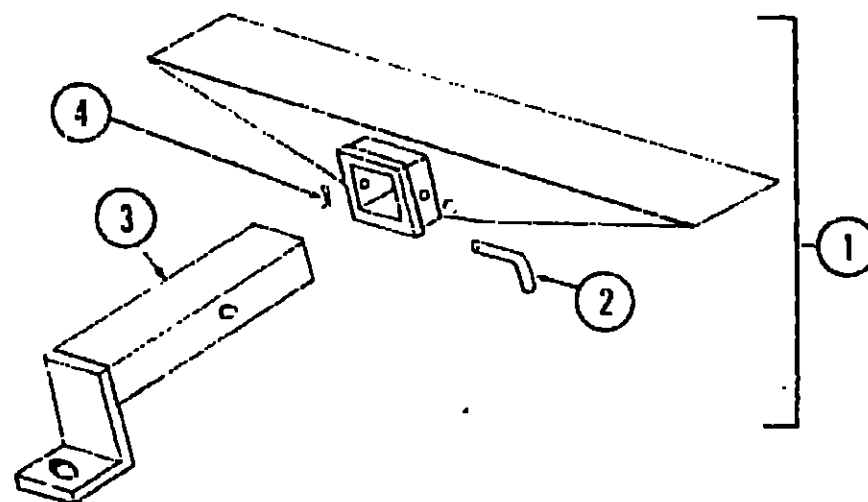
Introduction	A-1
Abbreviations	A-1
Alphabetical Index	A-2 - A-4
D19	A-5 - B-16
D21	B-17 - D-4
D26RT	D-5 - E-18
D26CU	E-19 - G-4
D26CUL	G-5 - H-16
D27CU	H-17 - J-4
D27CUL	J-5 - K-12
D29CU	K-13 - L-22

## 1976 D27CU INDEX

Floor Plan	H-17 - H-18
Accessories Group	H-19 - H-20
Bath Group	H-21 - H-22
Chassis Group	H-23
Curtain, Cushion & Pad Group	H-24
	I-1 - I-3
Dinette Group	I-3
Driver's Compartment Group	I-4 - I-5
Electrical Group	I-6 - I-7
Exterior Body Group	I-8 - I-11
Galley Group	I-12
Heating & Air Conditioning Group	I-13 - I-14
Interior Finish Group	I-15 - I-16
LP Group	I-17
Lounge Group	I-18
Water & Sewage Group	I-19
Window, Vent & Exterior Door Group	I-20 - I-24
	J-1 - J-4

## CHASSIS GROUP

Key	Part Number	U/M	Description
	041233-01-000	EA	Bumper - Contoured - Front or Rear
	042510-01-000	EA	Reinforcement - Bumper - Front or Rear
	042515-01-000	EA	Bracket - Bumper - Front
	042509-01-000	EA	Bracket - Bumper - Rear
	050305-01-000	EA	Bracket - Splash Guard Mount - Front
	037933-01-000	EA	Bracket - License Plate - Front or Rear
	042522-01-000	EA	Support Asm. - Tire Carrier
	042963-02-000	EA	Power Step Asm. - Entrance Door w/o Control Unit
	047375-01-000	EA	Control Unit - Power Step
	041248-01-000	EA	Light - Warning - Step
	041249-01-000	EA	Switch - Toggle - On/Off - Power Step
	041250-01-000	EA	Switch - Push Button - Power Step
	048594-01-000	EA	Tray - Battery - Steel
	035104-01-000	EA	Cover Asm. - Radiator - Rear
	037468-02-000	EA	Hoodboard - Steel - Front - Left
	037468-01-000	EA	Hoodboard - Steel - Front - Right
	007134-01-000	EA	Clamp - Hose - Spring Type - 9/16"
	007137-01-000	EA	Clamp - Worm Gear - 1 5/16" to 2 1/4"
	007138-01-000	EA	Clamp - Hose - 1/4" to 3/4" Dia.
	024138-01-000	FT	Hose - Fuel - 5/16" I.D.
	024141-01-000	FT	Hose Rubber - 1/2" I.D.
	024647-01-000	EA	Hose - Gas - 2 1/4" I.D.
	045814-01-000	EA	Fill - Gas w/Vent - 5.44" Long
	024611-03-000	EA	Cap - Gas - Pressure - 1.328" - Chrome
	024611-04-000	EA	Cap - Gas - Pressure - 1.500" - Chrome
	043966-01-000	EA	Strap - Mounting - Fuel Tank
	007160-01-000	EA	Gasket - 3/16" x 2" x 2" - Tire Carcass
	024151-01-000	EA	Canister Asm. - Vapor
	014909-02-000	EA	Shroud - Fuel Fill - Double - Black
	035260-01-000	EA	Wheelwell - Black Plastic - Left or Right
	034012-01-000	EA	Tank - Fuel - 40 Gallon - Main
	017570-03-000	EA	Strap - Mounting - Fuel Tank
	045814-02-000	EA	Fill - Gas w/Vent - 2.76" Long
	041239-01-000	EA	Tank - Aux. Fuel - 17 Gallon
	042354-01-000	EA	Sending Unit - Aux. Gas Tank



Key	Part Number	U/M	Description
1	023695-01-700	EA	Hitch Kit - w/Drawbar
2	034512-01-000	EA	Pin - Locking - Drawbar
3	024976-01-700	EA	Drawbar - Trailer Hitch - Primed
4	034513-01-000	EA	Pin - Hitch - 3/16" Wire Spring

H-23

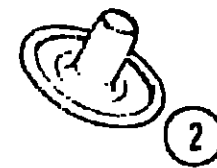
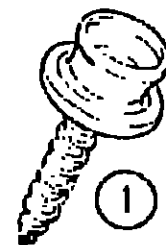
## CURTAIN, CUSHION AND PAD GROUP

### CURTAINS

Key	Part Number	U/M	Description
	041904-01-000	EA	Curtain - Pleated w/Snaps - Right - 28" x 35.5" - Green
	041904-02-000	EA	Curtain - Pleated w/Snaps - Right - 28" x 35.5" - Beige
	041904-03-000	EA	Curtain - Pleated w/Snaps - Right - 28" x 35.5" - Rust
	041905-01-000	EA	Curtain - Pleated w/Snaps - Left - 28" x 35.5" - Green
	041905-02-000	EA	Curtain - Pleated w/Snaps - Left - 28" x 35.5" - Beige
	041905-03-000	EA	Curtain - Pleated w/Snaps - Left - 28" x 35.5" - Rust
	041904-31-000	EA	Curtain - Pleated w/Snaps - Right - 24.5" x 42" - Green
	041904-32-000	EA	Curtain - Pleated w/Snaps - Right - 24.5" x 42" - Beige
	041904-33-000	EA	Curtain - Pleated w/Snaps - Right - 24.5" x 42" - Rust
	041905-31-000	EA	Curtain - Pleated w/Snaps - Left - 24.5" x 42" - Green
	041905-32-000	EA	Curtain - Pleated w/Snaps - Left - 24.5" x 42" - Beige
	041905-33-000	EA	Curtain - Pleated w/Snaps - Left - 24.5" x 42" - Rust
	041904-28-000	EA	Curtain - Pleated w/Snaps - Right - 26" x 36" - Green
	041904-29-000	EA	Curtain - Pleated w/Snaps - Right - 26" x 36" - Beige
	041904-30-000	EA	Curtain - Pleated w/Snaps - Right - 26" x 36" - Rust
	041905-28-000	EA	Curtain - Pleated w/Snaps - Left - 26" x 36" - Green
	041905-29-000	EA	Curtain - Pleated w/Snaps - Left - 26" x 36" - Beige
	041905-30-000	EA	Curtain - Pleated w/Snaps - Left - 26" x 36" - Rust
	039928-15-000	EA	Curtain - w/Snaps - 28" x 37" - Green
	039928-16-000	EA	Curtain - w/Snaps - 28" x 37" - Beige
	039928-17-000	EA	Curtain - w/Snaps - 28" x 37" - Rust
	033511-11-000	EA	Curtain - Blackout - 36" x 96" - Brown
	033315-49-000	EA	Curtain - Privacy - 72" x 52" - Green
	033315-50-000	EA	Curtain - Privacy - 72" x 52" - Beige
	033315-51-000	EA	Curtain - Privacy - 72" x 52" - Rust
	041243-07-000	EA	Curtain - Wraparound - Right - 30.5" x 106" - Green
	041243-08-000	EA	Curtain - Wraparound - Right - 30.5" x 106" - Beige
	041243-09-000	EA	Curtain - Wraparound - Right - 30.5" x 106" - Rust
	041244-07-000	EA	Curtain - Wraparound - Left - 30.5" x 106" - Green
	041244-08-000	EA	Curtain - Wraparound - Left - 30.5" x 106" - Beige
	041244-09-000	EA	Curtain - Wraparound - Left - 30.5" x 106" - Rust

### CURTAIN HARDWARE

Key	Part Number	U/M	Description
	009223-01-000	EA	Rod - Curtain - Flat - Extends - 32" - 51"
	009223-02-000	EA	Rod - Curtain - Flat - Extends - 48" - 84"
	042439-01-000	EA	Bracket - Flat Curtain Rod - Left or Right
	018031-42-000	EA	Track - Curtain - "L" Rod - Alum. - 90"
	009701-01-000	EA	Carrier w/Rollers - Curtain - "L" Rod
	009702-01-000	EA	End Stop - Curtain Track - "L" Rod
	044089-02-000	EA	Track - Wraparound Curtain - Right - Alum.
	044090-01-000	EA	Track - Wraparound Curtain - Left - Alum.
	052327-04-236	EA	Track - Curtain - Alum. - Brown - 89" w/Holes
	009107-01-000	EA	Guide - Nylon - Snap Curtain (used with 052327-04-236 Track)



Key	Part Number	U/M	Description
1	029130-01-000	EA	Socket Snap Fastener (Tie Backs)
2	029155-01-000	EA	Cap - Snap - .156" Diameter x 17 Barrel (Tie Backs)
3	029156-01-000	EA	Socket - Snap Fastener (Tie Backs)
4	029092-01-000	EA	Stud - Nickel Finish (Curtains)
5	029093-01-000	EA	Eyelet - Nickel Finish (Curtains)

H-24

## 1976 WINNEBAGO TABLE OF CONTENTS

Introduction	A-1
Abbreviations	A-1
Alphabetical Index	A-2 - A-4
D19	A-5 - B-16
D21	B-17 - D-4
D26RT	D-5 - E-18
D26CU	E-19 - G-4
D26CUL	G-5 - H-16
D27CU	H-17 - J-4
D27CUL	J-5 - K-12
D29CU	K-13 - L-22

## 1976 D27CU INDEX

Floor Plan	H-17 - H-18
Accessories Group	H-19 - H-20
Bath Group	H-21 - H-22
Chassis Group	H-23
Curtain, Cushion & Pad Group	H-24
	I-1 - I-3
Dinette Group	I-3
Driver's Compartment Group	I-4 - I-5
Electrical Group	I-6 - I-7
Exterior Body Group	I-8 - I-11
Galley Group	I-12
Heating & Air Conditioning Group	I-13 - I-14
Interior Finish Group	I-15 - I-16
LP Group	I-17
Lounge Group	I-18
Water & Sewage Group	I-19
Window, Vent & Exterior Door Group	I-20 - I-24
	J-1 - J-4

**CURTAIN, CUSHION AND PAD GROUP (CONTINUED)**

**VALANCES AND TIE BACKS**

Key	Part Number	U/M	Description
	031843-29-000	EA	Tie Back - Curtain - 17" - Green
	031843-30-000	EA	Tie Back - Curtain - 17" - Beige
	031843-31-000	EA	Tie Back - Curtain - 17" - Rust
	031843-32-000	EA	Tie Back - Curtain - 18" - Brown Vinyl
	041906-01-000	EA	Valance - Pleated w/Hooks - 6.5" x 76" - Green
	041906-02-000	EA	Valance - Pleated w/Hooks - 6.5" x 76" - Beige
	041906-03-000	EA	Valance - Pleated w/Hooks - 6.5" x 76" - Rust
	041906-13-000	EA	Valance - Pleated w/Hooks - 6.5" x 85" - Green
	041906-14-000	EA	Valance - Pleated w/Hooks - 6.5" x 85" - Beige
	041906-15-000	EA	Valance - Pleated w/Hooks - 6.5" x 85" - Rust
	041906-07-000	EA	Valance - Pleated w/Hooks - 6.5" x 36" - Green
	041906-09-000	EA	Valance - Pleated w/Hooks - 6.5" x 36" - Beige
	041906-09-000	EA	Valance - Pleated w/Hooks - 6.5" x 36" - Rust

**DINETTE CUSHIONS**

Key	Part Number	U/M	Description
	041911-01-000	EA	Cushion - w/Button - Dinette Back - 14 1/4" x 38" x 5" - Green
	041911-02-000	EA	Cushion - w/Button - Dinette Back - 14 1/4" x 38" x 5" - Beige
	041911-03-000	EA	Cushion - w/Button - Dinette Back - 14 1/4" x 38" x 5" - Rust
	041912-01-000	EA	Cushion - w/Frame - Dinette Bottom - 21 3/4" x 38" x 5" - Green
	041912-02-000	EA	Cushion - w/Frame - Dinette Bottom - 21 3/4" x 38" x 5" - Beige
	041912-03-000	EA	Cushion - w/Frame - Dinette Bottom - 21 3/4" x 38" x 5" - Rust

**MATTRESSES**

Key	Part Number	U/M	Description
	041914-01-000	EA	Mattress - Flexsteel Bunk - 38 3/4" x 75 1/2" - Green
	041914-02-000	EA	Mattress Flexsteel Bunk - 38 3/4" x 75 1/2" - Beige
	041914-03-000	EA	Mattress - Flexsteel Bunk - 38 3/4" x 75 1/2" - Rust

**LOUNGE CUSHIONS**

Key	Part Number	U/M	Description
	041911-16-000	EA	Cushion - w/Button - 12" x 33 3/4" x 6" - Green
	041911-17-000	EA	Cushion - w/Button - 12" x 33 3/4" x 6" - Beige
	041911-18-000	EA	Cushion - w/Button - 12" x 33 3/4" x 6" - Rust
	041912-04-000	EA	Cushion - w/Frame - 29" x 76" x 5" - Green
	041912-05-000	EA	Cushion - w/Frame - 29" x 76" x 5" - Beige
	041912-06-000	EA	Cushion - w/Frame - 29" x 76" x 5" - Rust
	042384-28-000	EA	Skirt - Lounge - 9.5" x 59.5" - Green
	042384-29-000	EA	Skirt - Lounge - 9.5" x 59.5" - Beige
	042384-30-000	EA	Skirt - Lounge - 9.5" x 59.5" - Rust
	045293-01-000	EA	Cushion - Slanted - w/Button - Right - Green
	045293-02-000	EA	Cushion - Slanted - w/Button - Right - Beige
	045293-03-000	EA	Cushion - Slanted - w/Button - Right - Rust
	045294-01-000	EA	Cushion - Slanted - w/Button - Left - Green
	045294-02-000	EA	Cushion - Slanted - w/Button - Left - Beige
	045294-03-000	EA	Cushion - Slanted - w/Button - Left - Rust
	041913-10-000	EA	Cushion - Bolster - 7" x 14" x 16" x 31 1/4" - Green
	041913-11-000	EA	Cushion - Bolster - 7" x 14" x 16" x 31 1/4" - Beige
	041913-12-000	EA	Cushion - Bolster - 7" x 14" x 16" x 31 1/4" - Rust
	041913-10-010	EA	Cover - Cushion - Bolster - 7" x 14" x 16" x 31 1/4" - Green
	041913-11-011	EA	Cover - Cushion - Bolster - 7" x 14" x 16" x 31 1/4" - Beige
	041913-12-012	EA	Cover - Cushion - Bolster - 7" x 14" x 16" x 31 1/4" - Rust

**CURTAIN, CUSHION AND PAD GROUP (CONTINUED)**

**BUCKET SEATS, ARMRESTS AND HEADRESTS**

Key	Part Number	U/M	Description
	042272-01-000	EA	Seat Asm. - Single Bucket w/o Slides, w/Skirt, w/o Armrests or Headrest - Green
	042272-02-000	EA	Seat Asm. - Single Bucket w/o Slides, w/Skirt, w/o Armrests or Headrest - Beige
	042272-03-000	EA	Seat Asm. - Single Bucket w/o Slides, w/Skirt, w/o Armrests or Headrest - Rust
	042272-01-001	EA	Cover Asm. - Single Bucket Seat Back - Green
	042272-02-001	EA	Cover Asm. - Single Bucket Seat Back - Beige
	042272-03-001	EA	Cover Asm. - Single Bucket Seat Back - Rust
	042272-01-002	EA	Cover Asm. - Single Bucket Seat Bottom - Green
	042272-02-002	EA	Cover Asm. - Single Bucket Seat Bottom - Beige
	042272-03-002	EA	Cover Asm. - Single Bucket Seat Bottom - Rust
	042426-01-000	EA	Skirt Asm. - Single Bucket Seat - Green
	042426-02-000	EA	Skirt Asm. - Single Bucket Seat - Beige
	042426-03-000	EA	Skirt Asm. - Single Bucket Seat - Rust
	042274-01-000	EA	Seat Asm. - Double Bucket w/Skirt, w/o Armrests or Headrests - Green
	042274-02-000	EA	Seat Asm. - Double Bucket w/Skirt, w/o Armrests or Headrests - Beige
	042274-03-000	EA	Seat Asm. - Double Bucket w/Skirt, w/o Armrests or Headrests - Rust
	042274-01-001	EA	Cover Asm. - Double Bucket Seat Back - Green
	042274-02-001	EA	Cover Asm. - Double Bucket Seat Back - Beige
	042274-03-001	EA	Cover Asm. - Double Bucket Seat Back - Rust
	042274-01-002	EA	Cover Asm. - Double Bucket Seat Bottom - Green
	042274-02-002	EA	Cover Asm. - Double Bucket Seat Bottom - Beige
	042274-03-002	EA	Cover Asm. - Double Bucket Seat Bottom - Rust
	042427-01-000	EA	Skirt Asm. - Double Bucket Seat - Green
	042427-02-000	EA	Skirt Asm. - Double Bucket Seat - Beige
	042427-03-000	EA	Skirt Asm. - Double Bucket Seat - Rust
	040494-01-000	EA	Armrest Asm. - Foam w/o Cover - Right - Style #1
	040494-02-000	EA	Armrest Asm. - Foam w/o Cover - Left - Style #1
	050275-01-700	EA	Armrest Asm. - Foam w/o Cover - Right - Style #2
	050276-01-700	EA	Armrest Asm. - Foam w/o Cover - Left - Style #2
	040492-03-003	EA	Armrest Cover - Green
	040492-04-004	EA	Armrest Cover - Beige
	040492-05-005	EA	Armrest Cover - Rust
	033905-09-000	EA	Headrest Asm. - Green
	033905-10-000	EA	Headrest Asm. - Beige
	033905-11-000	EA	Headrest Asm. - Rust

**NOTE**

A production change was made in the armrest. When ordering, you must first determine which style is required. Measure up ten inches from the bottom of the seat frame. If you feel (through the upholstery) a collar protruding outward approximately 1/2", you should order style two. Order style one if no protrusion is noted.

**1976 WINNEBAGO  
TABLE OF CONTENTS**

Introduction	A-1
Abbreviations	A-1
Alphabetical Index	A-2 - A-4
D19	A-5 - B-16
D21	B-17 - D-4
D26RT	D-5 - E-18
D26CU	E-19 - G-4
D26CUL	G-5 - H-16
D27CU	H-17 - J-4
D27CUL	J-5 - K-12
D29CU	K-13 - L-22

**1976 D27CU INDEX**

Floor Plan	H-17 - H-18
Accessories Group	H-19 - H-20
Bath Group	H-21 - H-22
Chassis Group	H-23
Curtain, Cushion & Pad Group	H-24
	I-1 - I-3
Dinette Group	I-3
Driver's Compartment Group	I-4 - I-5
Electrical Group	I-6 - I-7
Exterior Body Group	I-8 - I-11
Galley Group	I-12
Heating & Air Conditioning Group	I-13 - I-14
Interior Finish Group	I-15 - I-16
LP Group	I-17
Lounge Group	I-18
Water & Sewage Group	I-19
Window, Vent & Exterior Door Group	I-20 - I-24
	J-1 - J-4

## CURTAIN, CUSHION AND PAD GROUP (CONTINUED)

### FABRICS AND TRIMS

Key	Part Number	U/M	Description
	041429-01-000	YD	Fabric - Drapery - Green
	041429-02-000	YD	Fabric - Drapery - Beige
	041429-03-000	YD	Fabric - Drapery - Rust
	041426-01-000	YD	Fabric - Upholstery - Green
	041426-02-000	YD	Fabric - Upholstery - Beige
	041426-03-000	YD	Fabric - Upholstery - Rust
	042411-01-000	YD	Vinyl - Nonexpanded - 27 Ounce - Brown
	042373-01-000	EA	Button Asm. - Covered - Green
	042373-02-000	EA	Button Asm. - Covered Beige
	042373-03-000	EA	Button Asm. - Covered - Rust

### PADS

Key	Part Number	U/M	Description
	042405-01-000	EA	Cover Asm. - Stool - Base - Brown Vinyl
	042407-01-000	EA	Cover Asm. - Stool - Lid - Green
	042407-02-000	EA	Cover Asm. - Stool - Lid - Beige
	042407-03-000	EA	Cover Asm. - Stool - Lid - Rust
	042950-01-000	EA	Handle - Interior Assist Strap - Brown Vinyl

### DINETTE GROUP

Key	Part Number	U/M	Description
	043629-08-700	EA	Table Asm. - Dinette w/o Hardware - Green (Martini Mist)
	043629-09-700	EA	Table Asm. - Dinette w/o Hardware - Beige (Champagna Velvet or Sierra Sunset)
	047842-01-000	EA	Kit - Table Leg - Dinette - Brown
	047809-01-000	EA	Kit - Dinette Table Hardware - Wall Mount
	041465-01-000	EA	Cabinet Asm. - Dinette Overhead - w/o End Pad, Doors or Hardware
	041949-17-700	EA	Door Asm. - Overhead Cabinet - 26" x 10" - w/o Hardware
	044554-01-000	EA	Cabinet Asm. - Dinette Seat - Front - w/o Doors or Hardware
	044554-02-000	EA	Cabinet Asm. - Dinette Seat - Rear - w/o Doors or Hardware
	041935-19-700	EA	Door Asm. - Dinette Seat Cabinet - 19 3/8" x 10 1/4" - w/o Hardware

## DRIVER'S COMPARTMENT GROUP

### DASH PANEL AND COMPONENTS

Key	Part Number	U/M	Description
	044701-01-000	EA	Dash Asm. - Custom - Complete
	022548-03-000	EA	Pad - Dash - Foam - Right - Dark Brown
	023242-04-000	EA	Pad - Dash - Foam - Left - Dark Brown
	024418-01-000	EA	Lamp Asm. - Map/Gauge
	023020-01-000	EA	Lamp Asm. - Tell Tale
	039044-01-000	EA	Louver Asm. - A/C - Adjustable
	042962-01-000	EA	Nameplate - Custom - Brown/Gold
	007037-01-000	EA	Lighter Asm. - Cigarette - 12V
	007041-01-000	EA	Bezel - Cigarette Lighter
	007071-01-000	EA	Louver - Chrome - w/Chrome Wheel
	024906-01-000	EA	Diffuser Case - A/C - 2 1/2" Black
	022547-01-000	EA	Bezel - Instrument Panel
	023599-01-000	EA	Bezel - Entertainment Center - No. 1
	022219-01-000	EA	Door - Glove Box
	009118-01-000	EA	Lock - Twist w/Nut
	023892-01-000	EA	Box - Glove Compartment - Black Fiberboard
	024598-01-000	EA	Hinge - Continuous Aluminum - 1 1/16" x 19"
	034309-01-000	EA	Chain - Bead - Glove Box Door
	025834-01-000	EA	Panel - Knee Kick
	024990-02-000	EA	Outlet - Defroster - 2" w/Swivel - Dark Brown
	040636-01-000	EA	Bracket Asm. - Shift Lever

### DASH SWITCHES AND GAUGES

Key	Part Number	U/M	Description
	031376-01-000	EA	Control Asm. - Heater and A/C
	031035-01-000	EA	Gauge - Hourmeter - Generator
	024459-01-000	EA	Gauge - Voltmeter
	024460-01-000	EA	Gauge - Vacuum
	007308-01-000	EA	Clock - Dash
	024976-01-000	EA	Switch - Generator - w/o Circuit Board
	024462-01-000	EA	Switch - Battery Condition
	024461-01-000	EA	Switch - Battery Changeover
	024464-01-000	EA	Switch - Washer
	024465-01-000	EA	Switch - Fuel
	024466-01-000	EA	Switch - Rear Wiper
	024467-01-000	EA	Switch - Wiper
	049763-01-000	EA	Switch - Aux. Light
	041249-01-000	EA	Switch - Step
	024463-01-000	EA	Switch - Blinker

### BUCKET SEAT PEDESTAL AND SEAT BELTS

Key	Part Number	U/M	Description
	038837-01-000	EA	Pedestal Base - Seat - w/Adjuster
	038832-01-000	EA	Rod - Seat Adjuster
	041459-01-000	EA	Pedestal Top - Seat
	007019-01-000	EA	Belt Asm. - Seat - 2" x 84" - Black
	041322-01-000	EA	Washer - Flat - 15/32" I.D. x 2 3/8" O.D.

## 1976 WINNEBAGO TABLE OF CONTENTS

Introduction	A-1
Abbreviations	A-1
Alphabetical Index	A-2 - A-4
D19	A-5 - B-16
D21	B-17 - D-4
D26RT	D-5 - E-18
D26CU	E-19 - G-4
D26CUL	G-5 - H-16
D27CU	H-17 - J-4
D27CUL	J-5 - K-12
D29CU	K-13 - L-22

## 1976 D27CU INDEX

Floor Plan	H-17 - H-18
Accessories Group	H-19 - H-20
Bath Group	H-21 - H-22
Chassis Group	H-23
Curtain, Cushion & Pad Group	H-24
	I-1 - I-3
Dinette Group	I-3
Driver's Compartment Group	I-4 - I-5
Electrical Group	I-6 - I-7
Exterior Body Group	I-8 - I-11
Galley Group	I-12
Heating & Air Conditioning Group	I-13 - I-14
Interior Finish Group	I-15 - I-16
LP Group	I-17
Lounge Group	I-18
Water & Sewage Group	I-19
Window, Vent & Exterior Door Group	I-20 - I-24
	J-1 - J-4

**DRIVER'S COMPARTMENT GROUP (CONTINUED)**

**MISCELLANEOUS DRIVER'S COMPARTMENT COMPONENTS**

Key	Part Number	U/M	Description
	034890-01-000	EA	Motor Cover - Plastic
	045253-01-000	EA	Tray Asm. - Beverage
	044485-01-000	EA	Track Asm. - Beverage Tray (2 per Tray)
	034499-01-000	EA	Support - Dimmer Switch
	007278-01-000	EA	Mirror - 4 1/2" x 9" - Rear View
	036414-01-000	EA	Ashtray - Wall Mount
	042434-01-000	EA	Sunvisor Asm. - 8" x 28" - Dark Brown Vinyl - Right or Left
	040519-01-000	EA	Boot - Rubber - Steering Column
	040520-01-000	EA	Retainer - Boot - Steering Column
	039857-01-000	EA	Latch - Rubber - Draw Handle - 5 3/4" w/Strike
	039856-01-000	EA	Latch - Rubber - Draw Handle - 3" w/Strike
	035368-02-000	EA	Seal - Motor Cover - Extr. Aluminum
	042328-01-000	EA	Side Panel - Left
	042329-01-000	EA	Side Panel - Right
	042332-01-000	EA	Pouch - Vinyl - Side Panel - Left
	042333-01-000	EA	Pouch - Vinyl - Side Panel - Right
	042337-01-000	EA	Trim - Brown Plastic - Over Driver Window
	042337-02-000	EA	Trim - Brown Plastic - Over Passenger Window
	042341-01-000	EA	Trim - "A" Post - Brown Plastic - Left
	042341-02-000	EA	Trim - "A" Post - Brown Plastic - Right
	042287-01-000	EA	Bunk Platform - Front
	040071-01-700	EA	Seat Belt Asm. - Bunk Support w/Catch

**ELECTRICAL GROUP**

**BULBS**

Key	Part Number	U/M	Description
	037936-01-000	EA	Bulb - 1157 - A
	037937-01-000	EA	Bulb - 1295
	037934-01-000	EA	Bulb - 1156
	037935-01-000	EA	Bulb - 1157
	038010-01-000	EA	Bulb - 1143
	008103-01-000	EA	Bulb - 53
	008213-01-000	EA	Bulb - 57
	008214-01-000	EA	Bulb - 67
	008215-01-000	EA	Bulb - 1003
	008216-01-000	EA	Bulb - 1034
	008217-01-000	EA	Bulb - 1073
	008218-01-000	EA	Bulb - 1141
	008219-01-000	EA	Bulb - 056
	008220-01-000	EA	Bulb - 12V - 25W
	036196-01-000	EA	Bulb - 194
	700020-01-000	EA	Bulb - 12V - 20W 1383

**INTERIOR LIGHTS**

Key	Part Number	U/M	Description
	023020-01-000	EA	Lamp Asm. - Tell Tale
	024418-01-000	EA	Lamp Asm. - Map/Gauge/Aisle
	024473-01-000	EA	Light - Aircraft - 1 Bulb - Gold
	033508-01-000	EA	Light - Dome - White - 1 Bulb
	024642-01-701	EA	Lens - Dome Light - 1 Bulb
	033509-01-000	EA	Light - Dome - White - 2 Bulb
	024643-01-701	EA	Lens - Dome Light - 2 Bulb
	007309-01-000	EA	Light - Step Well

**EXTERIOR LIGHTS**

Key	Part Number	U/M	Description
	037586-01-000	EA	Lamp Asm. - Front Right
	037586-02-000	EA	Lamp Asm. - Front Left
	037585-01-000	EA	Lamp Asm. - Tail - Rear Right
	037585-03-000	EA	Lens - Tail Lamp - Right
	037585-02-000	EA	Lamp Asm. - Tail - Rear Left
	037585-04-000	EA	Lens - Tail Lamp - Left
	042405-03-000	EA	Base - Rectangular Clearance Light
	042405-01-000	EA	Lens - Clearance Light - Red w/Reflector
	042405-02-000	EA	Lens - Clearance Light - Amber w/Reflector
	008089-01-000	EA	Light - Porch - Recessed

**FUSES AND CIRCUIT BREAKERS**

Key	Part Number	U/M	Description
	008233-01-000	EA	Fuse - 12 Volt - 6 Amp.
	008234-01-000	EA	Fuse - 12 Volt - 10 Amp.
	008235-01-000	EA	Fuse - 12 Volt - 15 Amp.
	008236-01-000	EA	Fuse - 12 Volt - 20 Amp.
	008248-01-000	EA	Fuse - 12 Volt - 30 Amp.
	008252-01-000	EA	Fuse - 110 Volt - 50 Amp.
	008208-01-000	EA	Circuit Breaker - 12 Volt - 40 Amp.
	008211-01-000	EA	Circuit Breaker - 12 Volt - 6 Amp.
	008268-01-000	EA	Circuit Breaker - 12 Volt - 30 Amp. w/Mount
	035373-01-000	EA	Circuit Breaker - 12 Volt - 20 Amp. w/Mount
	008273-03-000	EA	Circuit Breaker - 15/20 Amp. TQL
	036617-01-000	EA	Relay - Canister - SPDT
	033484-01-000	EA	Circuit Breaker - 30 Amp. - Air Conditioner
	052012-01-000	EA	Circuit Breaker - 50 Amp. - Air Conditioner

**1976 WINNEBAGO  
TABLE OF CONTENTS**

Introduction	A-1
Abbreviations	A-1
Alphabetical Index	A-2 - A-4
D19	A-5 - B-16
D21	B-17 - D-4
D26RT	D-5 - E-18
D26CU	E-19 - G-4
D26CUL	G-5 - H-16
D27CU	H-17 - J-4
D27CUL	J-5 - K-12
D29CU	K-13 - L-22

**1976 D27CU INDEX**

Floor Plan	H-17 - H-18
Accessories Group	H-19 - H-20
Bath Group	H-21 - H-22
Chassis Group	H-23
Curtain, Cushion & Pad Group	H-24
	I-1 - I-3
Dinette Group	I-3
Driver's Compartment Group	I-4 - I-5
Electrical Group	I-6 - I-7
Exterior Body Group	I-8 - I-11
Galley Group	I-12
Heating & Air Conditioning Group	I-13 - I-14
Interior Finish Group	I-15 - I-16
LP Group	I-17
Lounge Group	I-18
Water & Sewage Group	I-19
Window, Vent & Exterior Door Group	I-20 - I-24
	J-1 - J-4

## ELECTRICAL GROUP (CONTINUED)

### WIRE, SWITCHES AND RECEPTACLES

Key	Part Number	U/M	Description
	008024-01-000	FT	Wire - 18.5 Bonded - Orange/White/Yellow/Blue/Brown
	008025-01-000	FT	Wire - 18.5 Bonded - Orange/White/Yellow/Blue/Green
	008028-01-000	FT	Wire - 18.5 Bonded - Blue/Red/Yellow/Orange/White
	008030-01-000	FT	Wire - 18.4 Bonded
	008251-01-000	EA	Holder - Fuse - Black - Screw Type
	008277-01-000	EA	Holder - Fuse - Black - Panel Mount
	008195-01-000	EA	Switch - Push Button - 12 Volt
	006077-01-000	EA	Plaque - Compressor Switch
	008054-01-000	EA	Cord - Power - 10-3 30 Amp - 25' - UL
	034818-04-000	EA	Holder - Receptacle - Plastic
	039330-01-000	EA	Cover - Plate - Receptacle - Plastic - Brown
	008157-01-000	EA	Receptacle - Duplex Brown
	024571-01-000	EA	Cover Plate - Receptacle - Jumbo Steel Brown
	008164-01-000	EA	Cover Plate - Single Switch - Brown Plastic
	039343-01-000	EA	Cap - End - Receptacle
	009162-01-000	EA	Switch - Double Toggle - Spade Brown
	008163-01-000	EA	Switch - Toggle Brown
	024924-01-000	EA	Receptacle - Power Cord
	008058-01-000	EA	Adaptor - Power Cord
	047353-01-000	EA	Cover - Receptacle - Ground Fault
	047351-01-000	EA	Receptacle - Ground Fault Interrupter - 125 Volt - Black

### WINDSHIELD WIPER AND WASHER

Key	Part Number	U/M	Description
	037998-01-000	EA	Link Asm. - Connecting - 22 40" Long
	037999-01-000	EA	Motor Asm. - Windshield Wiper - Front
	038001-02-000	EA	Shaft and Pivot Asm. - 2.42" Arm
	037997-01-000	EA	Arm - Windshield Wiper - 15"
	038000-01-000	EA	Blade - Windshield Wiper - 16"
	037029-01-000	EA	Washer Asm. - Windshield Power Jet Electric - Front
	700073-05-000	EA	Pump and Cover Asm. - for Windshield Washer - Front or Rear
	700073-04-000	EA	Reservoir Only - Water - Windshield Washer - Front or Rear
	700073-02-000	EA	Washer Nozzle Hardware Package - Front
	700073-03-000	EA	Washer Nozzle Hardware Package - Rear
	038000-03-000	EA	Blade - Windshield Wiper - 14"
	039756-01-000	EA	Motor - Rear Window Wiper
	039757-01-000	EA	Arm - Rear Window Wiper - 16"

### MISCELLANEOUS ELECTRICAL COMPONENTS

Key	Part Number	U/M	Description
	047338-01-000	EA	Isolator - Dual Battery
	047389-01-700	EA	Battery - 12 Volt - 105 Amp. Deep Cycle - Dry
	008188-01-000	EA	Solenoid - Dual Battery - Relay
	046775-01-000	EA	Valve - Gas - Change Over
	041079-01-000	EA	Control Center - 50 Amp. w/Door - UL
	024417-01-000	EA	Panel - Control - Water/Double Sewage - Wemac
	039861-01-000	EA	Sending Unit Kit - Wemac
	036420-01-000	EA	Fan - Defroster
	047375-01-000	EA	Control Unit - Power Step
	041249-01-000	EA	Light - Warning - Power Step
	041249-01-000	EA	Switch - Toggle - On/Off - Power Step
	041250-01-000	EA	Switch - Push Button - Power Step

## EXTERIOR BODY GROUP

### EXTERIOR BODY PANELS AND SHEET ALUMINUM

Key	Part Number	U/M	Description
	044612-01-000	EA	Backwall Asm. w/o Fiberglass Cap
	044614-01-000	EA	Sidewall Asm. - Right
	044616-01-000	EA	Sidewall Asm. - Left
	044620-01-000	EA	Roof Assembly
	046150-03-000	EA	Panel Asm. - Valance - Louvered - Left Rear - 27.5"
	046159-01-000	EA	Panel Asm. - Valance - Right Rear - 66.88"
	046161-15-000	EA	Panel Asm. - Valance - Plastic - 19.06" x 10.29"
	046161-16-000	EA	Panel Asm. - Valance - Plastic - 49.19" x 10.59"
	046161-17-000	EA	Panel Asm. - Valance - Plastic - 52" x 10.59"
	046161-03-000	EA	Panel Asm. - Valance - Right Front - 80.54" x 10.59"
	039155-03-002	EA	Alum. - Off White - Mesa Design - .024" x 36" x 300"
	039155-03-003	EA	Alum. - Off White - Mesa Design - .024" x 36" x 360"
	039155-03-007	EA	Alum. - Off White - Mesa Design - .024" x 48" x 60"
	039155-02-008	EA	Alum. - Beige Mesa Design - .024" x 36" x 60"
	039155-02-002	EA	Alum. - Beige Mesa Design - .024" x 36" x 300"
	039155-02-003	EA	Alum. - Beige Mesa Design - .024" x 36" x 360"
	039155-02-007	EA	Alum. - Beige Mesa Design - .024" x 48" x 60"
	039155-02-005	EA	Alum. - Beige Mesa Design - .024" x 48" x 300"
	039155-02-006	EA	Alum. - Beige Mesa Design - .024" x 48" x 360"
	039155-02-009	EA	Alum. - Beige Mesa Design - .024" x 12" x 360"
	044487-01-001	EA	Alum. - Mill Finish - No Design (Roof) - 96" x 360"
	000258-01-000	BF	Styrofoam - 3/4" x 24" x 96"

### SEALANTS, ADHESIVES AND FASTENERS

Key	Part Number	U/M	Description
	034552-05-000	EA	Sealant - Off White Silicone
	034552-04-000	EA	Sealant - Beige Silicone
	034552-02-000	EA	Sealant - Clear Silicone
	004348-02-000	EA	Sealant - Aluminum Silicone
	004349-01-000	EA	Sealant - Black Silicone
	004342-01-000	EA	Sealant - Weatherban 202 Tube
	004346-02-000	EA	Sealant - White Silicone
	004347-01-000	EA	Sealant - Tuflex
	002316-01-000	FT	Sealer Tape - 3/32" x 1/8"
	024545-01-000	FT	Sealer Tape - 1/8" x 5/8" - Black
	004350-01-000	FT	Sealer Tape - 1/8" x 1" - Formaseal
	004352-01-000	FT	Sealer Tape - 1/8" x 3/4" - Formaseal
	004355-01-000	FT	Sealer Tape - 1/8" x 5/8" - Black
	004357-01-000	FT	Sealer Tape - 1/8" x 5/8" - Adhesive
	002707-02-000	FT	Sealer Tape - 5/16" x 1/2" - Foam
	002707-01-000	FT	Sealer Tape - 5/16" x 3/4" - Black Foam
	041422-01-000	FT	Sealer Tape - 1/4" x 1/2"
	004363-01-000	FT	Sealer Tape - 3/16" x 1/2" - Foam
	004362-01-000	FT	Sealer Tape - 1/8" x 5/8" - Foam
	009200-01-000	EA	Tape - Furnace - 1 1/2"
	041839-01-000	FT	Tape - Window - Latch - 3/4" - Adhesive
	041839-02-000	FT	Tape - Window - Latch - 1/2" - Adhesive
	004353-01-000	FT	Tape - Gasket - 1/8" x 3/4" - White
	002825-01-000	FT	Weather Stripping - Roof Vent
	002337-01-000	EA	Adhesive - 3M - 1300 Tube
	004005-01-000	GL	Adhesive - Swifts - Green - Glue (Sidewalls)
	004012-01-000	EA	Adhesive - 3M - 4475 Tube
	004020-01-000	QT	Adhesive - ABS Cement (Plastic Fittings)
	029051-01-000	EA	Adhesive - Spray Vinyl
	042401-01-000	EA	Screw - 8-18 x 3/4" SDPH Beige
	042403-01-000	EA	Screw - SF/DR - 8-18 x 1" SDPH Beige
	005058-01-000	EA	Screw - Wood - 12-11 x 3" P.O.H. Zinc

## 1976 WINNEBAGO TABLE OF CONTENTS

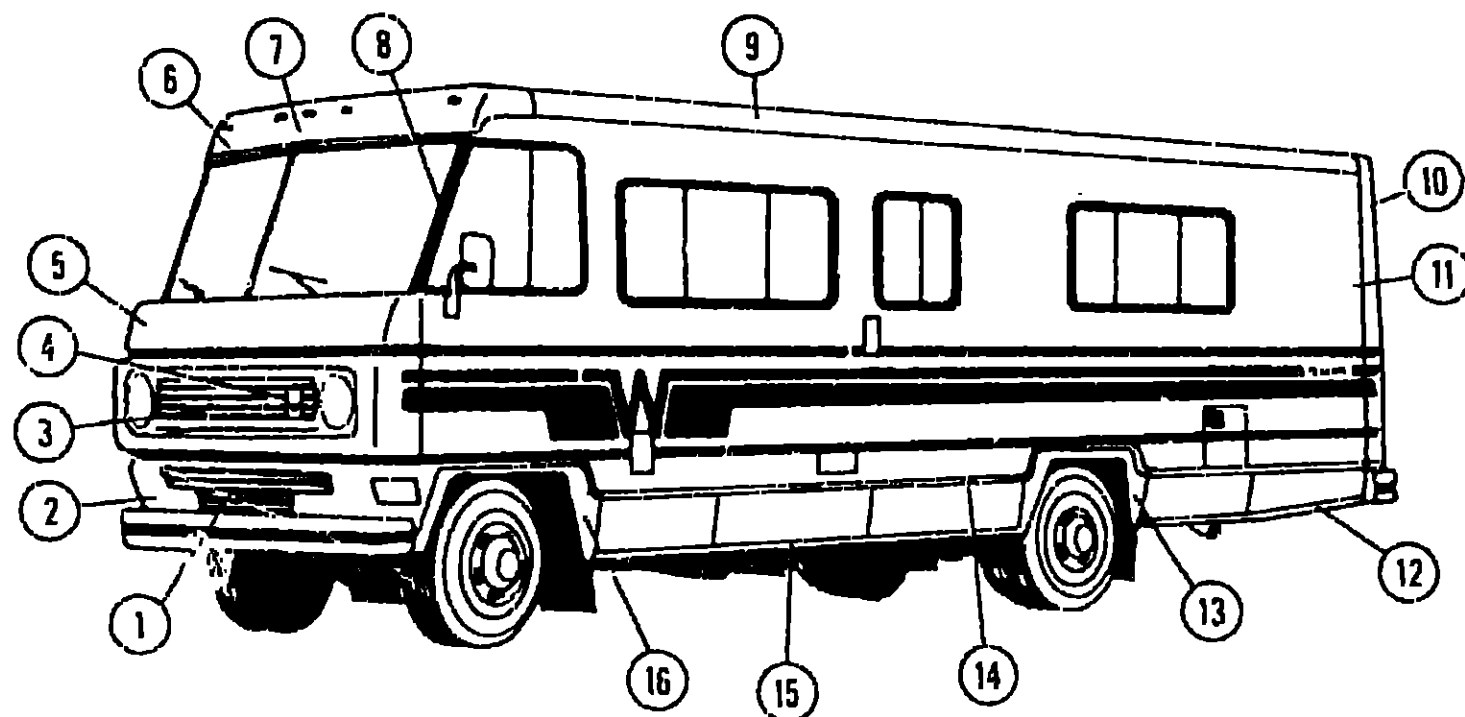
Introduction	A-1
Abbreviations	A-1
Alphabetical Index	A-2 - A-4
D19	A-5 - B-16
D21	B-17 - D-4
D26RT	D-5 - E-18
D26CU	E-19 - G-4
D26CUL	G-5 - H-16
D27CU	H-17 - J-4
D27CUL	J-5 - K-12
D29CU	K-13 - L-22

## 1976 D27CU INDEX

Floor Plan	H-17 - H-18
Accessories Group	H-19 - H-20
Bath Group	H-21 - H-22
Chassis Group	H-23
Curtain, Cushion & Pad Group	H-24
	I-1 - I-3
Dinette Group	I-3
Driver's Compartment Group	I-4 - I-5
Electrical Group	I-6 - I-7
Exterior Body Group	I-8 - I-11
Galley Group	I-12
Heating & Air Conditioning Group	I-13 - I-14
Interior Finish Group	I-15 - I-16
LP Group	I-17
Lounge Group	I-18
Water & Sewage Group	I-19
Window, Vent & Exterior Door Group	I-20 - I-24
	J-1 - J-4



EXTERIOR BODY GROUP (CONTINUED)



1976 WINNEBAGO  
TABLE OF CONTENTS

Introduction	A-1
Abbreviations	A-1
Alphabetical Index	A-2 - A-4
D19	A-5 - B-16
D21	B-17 - D-4
D26RT	D-5 - E-18
D26CU	E-19 - G-4
D26CUL	G-5 - H-16
D27CU	H-17 - J-4
D27CUL	J-5 - K-12
D29CU	K-13 - L-22

Key	Part Number	U/M	Description
1	044211-01-000	EA	Grille Asm. - Lower
2	042307-01-000	EA	Panel - Wheelhouse - Front Outer - Right
3	044212-01-000	EA	Grille Asm. - Upper
•	021497-01-000	EA	Latch Asm. - Upper Grille
4	044213-01-000	EA	Plate - Grille Logo (w/o Decal)
•	038284-01-000	EA	Decal - Logo - Grille
5	042304-01-000	EA	Panel - Front End - Fiberglass - Beige
6	038493-07-000	EA	Trim - Windshield - Right - Black
•	038493-08-000	EA	Trim - Windshield - Left - Black
•	038494-04-000	EA	Trim - Windshield - Center - 31.42" - Black
•	038900-01-000	EA	Cap - Windshield Top - "T" - Black Plastic
•	038900-02-000	EA	Cap - Windshield Bottom - "T" - Black Plastic
7	042308-01-000	EA	Cap - Front Upper - Beige Fiberglass (Above Windshield)
8	042348-02-000	EA	Trim - "A" Post - Exterior - Left
•	042348-01-000	EA	Trim - "A" Post - Exterior - Right

Key	Part Number	U/M	Description
9	044770-01-000	EA	Extrusion - Drip Rail - 192" - Beige w/Holes
•	044771-01-000	EA	Extrusion - Awning Rail - 192" - Beige w/Holes
10	042301-02-000	EA	Cap - Rear Fiberglass - Beige
11	044975-01-000	EA	Trim - Alum. Extrusion - "J" Molding - 100.25" - Beige
12	042314-02-000	EA	Trim - Valance Panel - Left Rear
•	042314-01-000	EA	Trim - Valance Panel - Right Rear
13	042315-01-000	EA	Panel - Wheelhouse - Rear - Left or Right
14	044504-06-000	EA	Feature Strip - 133" - Beige
•	042313-01-000	EA	End Cap - Feature Strip - Beige
15	044076-02-000	EA	Trim - Valance Panel - Left Front
•	044861-02-000	EA	Trim - Valance Panel - Right Front
16	042307-02-000	EA	Panel - Wheelhouse - Front Left
•	042303-01-000	EA	Splashguard - Front Bumper
•			Not Illustrated

1976 D27CU INDEX

Floor Plan	H-17 - H-18
Accessories Group	H-19 - H-20
Bath Group	H-21 - H-22
Chassis Group	H-23
Curtain, Cushion & Pad Group	H-24
Dinette Group	I-1 - I-3
Driver's Compartment Group	I-3
Electrical Group	I-4 - I-5
Exterior Body Group	I-6 - I-7
Galley Group	I-8 - I-11
Heating & Air Conditioning Group	I-12
Interior Finish Group	I-13 - I-14
LP Group	I-15 - I-16
Lounge Group	I-17
Water & Sewage Group	I-18
Window, Vent & Exterior Door Group	I-19
	I-20 - I-24
	J-1 - J-4

## EXTERIOR BODY GROUP (CONTINUED)

### LABELS AND DECALS

Key	Part Number	U/M	Description
	041273-01-000	FT	Decal - Stripe - 2" - Black
	050313-01-000	EA	Decal - Logo - Winnebago - 2.80" - Antique Bronze Metallic
	050313-02-000	EA	Decal - Logo - Winnebago - 2.80" - Dark Green Metallic
	050313-03-000	EA	Decal - Logo - Winnebago - 2.80" - Dark Ginger Metallic
	043472-02-000	EA	Decal - Stripe - 2.28" x 44" - Dark Green Metallic
	043472-03-000	EA	Decal - Stripe - 2.28" x 44" - Dark Ginger Metallic
	043472-01-000	EA	Decal - Stripe - 2.28" x 44" - Antique Bronze Metallic
	043473-01-000	EA	Decal - Flying "W" - 13.75" High - Antique Bronze Metallic
	043473-02-000	EA	Decal - Flying "W" - 13.75" High - Dark Green Metallic
	043473-03-000	EA	Decal - Flying "W" - 13.75" High - Dark Ginger Metallic
	043474-01-000	EA	Decal - Logo - "Custom" - 2.28" - Right - Antique Bronze Metallic
	043474-03-000	EA	Decal - Logo - "Custom" - 2.28" - Right - Dark Green Metallic
	043474-05-000	EA	Decal - Logo - "Custom" - 2.28" - Right - Dark Ginger Metallic
	043474-02-000	EA	Decal - Logo - "Custom" - 2.28" - Left - Antique Bronze Metallic
	043474-04-000	EA	Decal - Logo - "Custom" - 2.28" - Left - Dark Green Metallic
	043474-06-000	EA	Decal - Logo - "Custom" - 2.28" - Left - Dark Ginger Metallic
	043475-01-000	EA	Stencil - Stripe - Lower Right
	043475-02-000	EA	Stencil - Stripe - Lower - Left
	038384-01-000	EA	Decal - Grille - Flying "W"
	044477-01-000	EA	Decal - Black Saling - 1" Dia. - (Water Heater Door)
	006023-01-000	EA	Label - Water Only
	006025-01-000	EA	Label - Gas
	006028-01-000	EA	Label - Drain Cap - 2" x 3"
	006031-01-000	EA	Label - Potable Water Only
	006187-01-000	EA	Label - Sewage
	006188-01-000	EA	Label - Waste Water
	006199-01-000	EA	Label - Exit - Escape Window
	031161-01-000	EA	Label - Flying "W"

### EXTERIOR PAINT

Key	Part Number	U/M	Description
	044486-01-000	EA	Paint - Beige - Acrylic Enamel - 1 Gallon
	044486-03-000	EA	Paint - Beige - Acrylic Enamel - 16 Oz. Aerosol
	044486-04-000	EA	Paint - Beige - Acrylic Lacquer - 1 Gallon
	041561-01-000	EA	Paint - Off White - Acrylic Enamel - 1 Gallon
	041561-03-000	EA	Paint - Off White - Acrylic Enamel - 16 Oz. Aerosol
	041561-04-000	EA	Paint - Off White - Acrylic Lacquer - 1 Gallon
	045681-01-000	EA	Paint - High Gloss Black - Acrylic Enamel - 1 Gallon
	045681-03-000	EA	Paint - High Gloss Black - Acrylic Enamel - 16 Oz. Aerosol
	041568-01-000	EA	Paint - Antique Bronze Metallic - Acrylic Enamel - 1 Gallon
	041568-03-000	EA	Paint - Antique Bronze Metallic - Acrylic Enamel - 16 Oz. Aerosol
	043877-01-000	EA	Paint - Saddle Bronze Metallic - Acrylic Enamel - 1 Gallon
	043877-03-000	EA	Paint - Saddle Bronze Metallic - Acrylic Enamel - 16 Oz. Aerosol
	041575-01-000	EA	Paint - Dark Green Metallic - Acrylic Enamel - 1 Gallon
	041575-03-000	EA	Paint - Dark Green Metallic - Acrylic Enamel - 16 Oz. Aerosol
	043476-01-000	EA	Paint - Lime Metallic - Acrylic Enamel - 1 Gallon
	043476-03-000	EA	Paint - Lime Metallic - Acrylic Enamel - 16 Oz. Aerosol
	041574-01-000	EA	Paint - Dark Ginger Metallic - Acrylic Enamel - 1 Gallon
	041574-03-000	EA	Paint - Dark Ginger Metallic - Acrylic Enamel - 16 Oz. Aerosol
	043376-01-000	EA	Paint - Chestnut Metallic - Acrylic Enamel - 1 Gallon
	043376-03-000	EA	Paint - Chestnut Metallic - Acrylic Enamel - 16 Oz. Aerosol

### MISCELLANEOUS EXTERNALLY MOUNTED PARTS

Key	Part Number	U/M	Description
	011124-01-000	EA	Plumbing Seal - Roof Vent - 1 1/4" White
	011124-01-000	EA	Plumbing Seal - Roof Vent - 1 1/2" White
	010230-02-000	EA	Fill - City Water - Recessed - Off White
	011020-01-000	EA	Fill - Water - Recessed - Off White
	009126-01-000	EA	Handle - Assist - Outside - Chrome

## GALLEY GROUP

### CABINETRY

Key	Part Number	U/M	Description
	045052-01-000	EA	Cabinet Asm. - Galley w/o Countertop, Doors, Drawers or Hardware
	042861-01-000	EA	Countertop Asm. - Galley w/Sink Cutout - Green (Martini Mist)
	042861-02-000	EA	Countertop Asm. - Galley w/Sink Cutout - Beige (Champagne Velvet or Sierra Sunset)
	044829-05-000	EA	Sink Cover - Small - Green (Martini Mist)
	044829-06-000	EA	Sink Cover - Small - Beige (Champagne Velvet or Sierra Sunset)
	044830-05-000	EA	Sink Cover - Large - Green (Martini Mist)
	044830-06-000	EA	Sink Cover - Large - Beige (Champagne Velvet or Sierra Sunset)
	042360-01-000	EA	Board Asm. - Cutting - Green (Martini Mist)
	042360-02-000	EA	Board Asm. - Cutting - Beige (Champagne Velvet or Sierra Sunset)
	042599-01-700	EA	Countertop Asm. - Galley Extension - w/o Hardware - Green (Martini Mist)
	042599-02-700	EA	Countertop Asm. - Galley Extension - w/o Hardware - Beige (Champagne Velvet or Sierra Sunset)
	009049-01-000	EA	Support - Galley Extension
	009059-01-000	EA	Hinge - 2" Gold
	041935-02-700	EA	Door Asm. - Galley Cabinet - 25.88" x 13" - w/o Hardware
	041935-03-700	EA	Door Asm. - Galley Cabinet - 21 3/4" x 14 3/4" - w/o Hardware
	041955-01-700	EA	Drawer Asm. - Galley Cabinet - 14 1/8" x 5 1/4" - Second or Third Drawer - w/o Hardware
	041955-02-700	EA	Drawer Asm. - Galley Cabinet - 20 1/2" x 5 1/4" - w/o Hardware
	041955-03-700	EA	Drawer Asm. - Galley Cabinet - 14 1/8" x 5 1/4" - Top or Bottom Drawer - w/o Hardware
	042361-01-700	EA	Drawer Asm. - Pantry - Slide Out - w/o Hardware
	042561-01-000	EA	Slide Asm. - Pantry - 22" Right
	042561-02-000	EA	Slide Asm. - Pantry - 22" Left
	048560-02-000	EA	Shelf Rail - Pantry - 18 3/4" - Brown
	042448-01-000	EA	Spice Rack
	041473-01-000	EA	Cabinet Asm. - Galley Overhead
	041949-18-700	EA	Door Asm. - Galley Overhead Cabinet - 19 3/4" x 10" - w/o Hardware

### HARDWARE AND APPLIANCES

Key	Part Number	U/M	Description
	011033-01-000	EA	Sink - Stainless Steel - Double w/Bolts
	011054-01-000	EA	Faucet Asm. - Swivel w/Single Handle
	011053-01-700	EA	Aerator - Swivel Faucet
	011085-01-000	EA	Strainer - Sink
	024584-01-000	EA	Towel Rack - Disappearing - 18"
	023111-01-000	EA	Power Unit - Food Center w/Blender
	023111-02-000	EA	Ice Crusher - For Food Center
	** 034542-01-000	EA	Refrigerator - Winnebago - W8EG
	** 034544-01-000	EA	Refrigerator - Winnebago - W7EG
	** 003336-01-000	EA	Refrigerator - Dometic - RM76
	** 046747-01-000	EA	Range - Eye Level - Coleman - 2209F
	** 024669-01-000	EA	Hood - Vent - Powered - Eye Level Range

\*\*The illustrated parts breakdown for this item is provided on the Common Items Fiche.

## 1978 WINNEBAGO TABLE OF CONTENTS

Introduction	A-1
Abbreviations	A-1
Alphabetical Index	A-2 - A-4
D19	A-5 - B-16
D21	B-17 - D-4
D26RT	D-5 - E-18
D26CU	E-19 - G-4
D26CUL	G-5 - H-16
D27CU	H-17 - J-4
D27CUL	J-5 - K-12
D29CU	K-13 - L-22

## 1976 D27CU INDEX

Floor Plan	H-17 - H-15
Accessories Group	H-19 - H-20
Bath Group	H-21 - H-22
Chassis Group	H-23
Curtain, Cushion & Pad Group	H-24
	I-1 - I-3
Dinette Group	I-3
Driver's Compartment Group	I-4 - I-5
Electrical Group	I-6 - I-7
Exterior Body Group	I-8 - I-11
Galley Group	I-12
Heating & Air Conditioning Group	I-13 - I-14
Interior Finish Group	I-15 - I-16
LP Group	I-17
Lounge Group	I-18
Water & Sewage Group	I-19
Window, Vent & Exterior Door Group	I-20 - I-24
	J-1 - J-4

## HEATING AND AIR CONDITIONING GROUP

## HEATING AND AIR CONDITIONING GROUP (CONTINUED)

### WINNEBAGO AUTOMOTIVE HEATING AND AIR CONDITIONING

Key	Part Number	U/M	Description
	039044-01-000	EA	Louver Asm. - A/C Adjustable
	047046-01-000	EA	Motor - 12 Volt - 3 Speed - Heater - Air Conditioner
	031043-01-000	EA	Valve - Heater - Water Flow Control
	031169-01-000	EA	Cable - Control - Flexible - 53"
	031169-02-000	EA	Cable - Control - Flexible - 48"
	031170-01-000	EA	Clamp - Cable - 3/16" Dia.
	024996-01-000	EA	Clutch - Magnetic - Compressor
	024999-01-000	EA	Compressor - Auto Air - 10.3 Cubic Inch
	033295-01-000	EA	Package - Air Conditioner - Compressor Mount - 440 C.I.D.
	031394-01-000	EA	Condenser - Radiator Mount
	008267-01-000	EA	Switch - Air Conditioner
	024867-01-000	EA	Valve - Thermostatic Expansion
	024997-01-000	EA	Core - Heater
	024998-01-000	EA	Wheel - Blower - 4.72 O.D.
	031393-01-000	EA	Coil - Evaporator
	033258-01-000	EA	Hose - Refrigerant - .50" I.D. x 34.50"
	034222-01-000	EA	Hose - Refrigerant - .31" I.D. x 26"
	031960-01-000	EA	Hose - Refrigerant - .34" I.D. x 30"
	031961-01-000	EA	Hose - Refrigerant - .31" I.D. x 14.75"
	024868-01-000	EA	Receiver - Dehydrator
	031044-01-000	EA	Clamp - Receiver Dehydrator
	031962-01-000	EA	Bracket - Receiver Dehydrator
	031976-01-000	EA	Belt - Drive - .50" I.D. x 54" - 440 C.I.D.
	048229-02-000	EA	Kit - Auto Air - 440 C.I.D. - Winnebago

### EVANS AUTOMOTIVE HEATING AND AIR CONDITIONING

Key	Part Number	U/M	Description
	033922-01-000	EA	Evaporator - Air Conditioner
	033932-01-000	EA	Valve - Expansion
	033938-01-000	EA	Core - Heater
	035459-01-701	EA	Blower Asm. - 3 Speed w/Motor
	033926-01-000	EA	Cold Control
	035459-01-704	EA	Resistor - Evans Heater
	048217-01-000	EA	Switch - Fan - 3 Speed Evans
	033933-01-000	EA	Compressor - Auto Air - Evans
	033955-01-000	EA	Condenser - Radiator Mount - Evans
	033854-01-000	EA	Receiver Drier
	033934-01-000	EA	Clutch - Compressor - Evans
	048229-01-000	EA	Kit - Auto Air - 440 C.I.D. - Evans

### MISCELLANEOUS

Key	Part Number	U/M	Description
	024985-01-000	EA	Register - Heat w/Damper - 9.9" x 4.3" - Brown Plastic
	009200-01-000	EA	Tape - Furnace - 1 1/2"
	042422-01-000	EA	Vent Package - Suburban Furnace
	039505-02-000	EA	Thermostat - Wall Mount - Coleman Furnace
	042506-01-000	EA	Duct - Furnace Output - 2 1/2"
	042506-02-000	EA	Duct - Furnace Output - 7 5/8"
	009198-01-000	FT	Duct - Furnace - 4" - Flexible

### FURNACES AND ROOF AIR CONDITIONERS

Key	Part Number	U/M	Description
**	041604-01-000	EA	Furnace - Coleman - 28,000 BTU - 4230
**	003119-01-000	EA	Furnace - Suburban - NT16
**	003126-01-000	EA	Air Conditioner - Roof Mount - 10,000 BTU - Mach I - Coleman - w/o Inside Shroud
**	031880-01-000	EA	Air Conditioner - Roof Mount - 13,500 BTU - Mach III - Coleman - w/o Inside Shroud
**	049777-01-000	EA	Air Conditioner - 110 Volt - Roof Mount - 11,000 BTU - Ivory - Coleman - w/o Inside Shroud
**	049778-01-000	EA	Shroud Asm. - Ceiling - Inside - Roof - Air Conditioner - Cool Only - 11,000 BTU - Coleman
**	049774-01-000	EA	Air Conditioner - 110 Volt - Roof Mount - 13,500 BTU - Ivory - Coleman - w/o Inside Shroud
**	049775-01-000	EA	Shroud Asm. - Ceiling - Inside - Roof - Air Conditioner - Cool Only - 13,500 BTU - Coleman
**	049776-01-000	EA	Shroud Asm. - Ceiling - Inside - Roof - Air Conditioner Heat and Cool Only - 13,500 BTU - Coleman

\*\* The illustrated parts breakdown for this item is provided on the Common Items sheet.

## 1976 WINNEBAGO TABLE OF CONTENTS

Introduction	A-1
Abbreviations	A-1
Alphabetical Index	A-2 - A-4
D19	A-5 - B-16
D21	B-17 - D-4
D26RT	D-5 - E-18
D26CU	E-19 - G-4
D25CUL	G-5 - H-16
D27CU	H-17 - J-4
D27CUL	J-5 - K-12
D29CU	K-13 - L-22

## 1976 D27CU INDEX

Floor Plan	H-17 - H-18
Accessories Group	H-19 - H-20
Bath Group	H-21 - H-22
Chassis Group	H-23
Curtain, Cushion & Pad Group	H-24
	I-1 - I-3
Dinette Group	I-3
Driver's Compartment Group	I-4 - I-5
Electrical Group	I-6 - I-7
Exterior Body Group	I-8 - I-11
Galley Group	I-12
Heating & Air Conditioning Group	I-13 - I-14
Interior Finish Group	I-15 - I-16
LP Group	I-17
Lounge Group	I-18
Water & Sewage Group	I-19
Window, Vent & Exterior Door Group	I-20 - I-24
	J-1 - J-4

## INTERIOR FINISH GROUP

### PANELING AND COUNTERTOP MATERIALS

Key	Part Number	U/M	Description
	000726-06-000	EA	Batt Strip - 707 Hickory
	039188-01-000	SF	Paneling - 707 Hickory - 48" x 96" (32SF)
	041205-05-000	SF	Plastic Laminate - 48" x 96" - Burlwood Green - (Martini Mist) (32SF)
	041205-05-001	EA	Plastic Laminate - 48" x 48" - Burlwood Green (Martini Mist)
	041205-05-002	EA	Plastic Laminate - 1.19" x 96" - Burlwood Green (Martini Mist)
	041205-06-000	SF	Plastic Laminate - 48" x 96" - Burlwood Beige
			(Champagne Velvet or Sierra Sunset) (32 SF)
	041205-05-001	EA	Plastic Laminate - 48" x 48" - Burlwood Beige
			(Champagne Velvet or Sierra Sunset)
	041205-06-002	EA	Plastic Laminate - 1.19" x 96" - Burlwood Beige
			(Champagne Velvet or Sierra Sunset)

### FABRICS AND CARPET

Key	Part Number	U/M	Description
	041429-01-000	YD	Fabric - Drapery - Green (Martini Mist)
	041429-02-000	YD	Fabric - Drapery - Beige (Champagne Velvet)
	041429-03-000	YD	Fabric - Drapery - Rust (Sierra Sunset)
	041425-01-000	YD	Fabric - Upholstery - Green (Martini Mist)
	041426-02-000	YD	Fabric - Upholstery - Beige (Champagne Velvet)
	041426-03-000	YD	Fabric - Upholstery - Rust (Sierra Sunset)
	042411-01-000	YD	Vinyl - Nonexpanded - 27 Ounce - Brown
	042411-03-000	YD	Vinyl - Nonsupport - 16 Gauge - Brown
	042414-01-000	FT	Trim - Accent - Bostonian Brown Vinyl
	023531-05-000	EA	Button - Nail - Brown Vinyl
	041430-01-000	SY	Carpet - Olive Inspiration - Green (Martini Mist)
	041430-02-000	SY	Carpet - Van Dyke Brown Inspiration - Beige (Champagne Velvet)
	041430-03-000	SY	Carpet - Russet Inspiration - Rust (Sierra Sunset)
	037680-01-000	SY	Carpet - Cascade Beige - Ceiling

### INTERIOR MOLDINGS AND TRIMS

Key	Part Number	U/M	Description
	022756-01-000	EA	Cover - Air Conditioner Wire - Plastic
	009778-01-000	FT	U-Channel - 1" Dark Brown Plastic
	009777-01-000	FT	U-Channel - 3/4" Dark Brown Plastic
	009815-02-000	FT	T Molding 3/4" Brown
	009812-03-000	FT	Molding - Plastic - Outside Corner - .50'
	009767-01-000	FT	Welling - Brown
	009779-01-000	FT	U-Channel - 1 1/8" - Dark Brown Plastic
	034689-03-000	EA	Cover - Screw PPH 10 - Ivory - Bathroom
	042356-01-000	EA	Plug - Button - Mahogany 3/8" Dia.
	042321-01-000	FT	Molding - Cove - Pine/Vinyl - 1 3/4"
	048588-01-000	EA	Molding - Cove - Pine/Vinyl - 3 1/2" x 89"
	044558-01-000	EA	Trim - Brown Plastic - Over Entrance Door
	045416-01-000	EA	Trim - Brown Plastic - Entrance Door Bottom - Front
	042340-01-000	EA	Trim - Brown Plastic - Entrance Door Bottom - Rear
	03890-01-000	EA	Panel - Overhead Entrance Door w/Carpet
	011663-01-002	EA	Extr. - Alum. - Interior Cabinet Joint - 77"
	042357-01-000	FT	Molding - Outside Cabinet Corner - 707 Hickory - 7"
	042484-01-000	FT	Molding - Wood - Panel End
	033535-03-000	FT	Molding - Shelf Edge - 707 Hickory

## INTERIOR FINISH GROUP (CONTINUED)

### CURTAIN HARDWARE

Key	Part Number	U/M	Description
	009107-01-000	EA	Guide - Nylon - Snap Curtain (used with 052327-04-236 Track)
	009223-01-000	EA	Rod - Curtain - Flat - Extends 32" - 51"
	009223-02-000	EA	Rod - Curtain - Flat - Extends 48" x 84"
	042439-01-000	EA	Bracket - Flat Curtain Rod - Left or Right
	010031-01-000	EA	Track - Curtain - "L" Rod - Alum. - 90"
	009701-01-000	EA	Carrier w/Rollers - Curtain - "L" Rod
	009702-01-000	EA	End Stop - Curtain Track - "L" Rod
	044089-02-000	EA	Track - Wraparound Curtain - Right - Alum.
	044090-01-000	EA	Track - Wraparound Curtain - Left - Alum.
	052327-04-236	EA	Track - Curtain - Alum. - Brown - 89" w/Holes

### CABINETRY AND INTERIOR HARDWARE

Key	Part Number	U/M	Description
	041838-01-000	EA	Screw - 5 x 5/8" POH - Antique Brass
	041923-01-000	EA	Kit - Lower Door Pull
	041799-01-000	EA	Drawer Pull
	041922-01-000	EA	Kit - Overhead Door - Pull and Latch
	041939-01-000	EA	Hinge - Overhead Cabinet
	047744-02-000	EA	Kit - Drawer Glide
	041931-01-000	EA	Kit - Cabinet Door Hinge
	009150-01-000	EA	Warp Guard - 64"
	009151-01-000	EA	Warp Guard - 48"
	009112-01-000	EA	Flange - 1" Rod - Chrome
	007019-01-000	EA	Belt Asm. - Seat - 2" x 84" - Black
	007021-01-000	EA	Belt Asm. - Seat - 2" x 90" - Black
	041322-01-000	EA	Washer - Flat - 15/32" I.D. x 2 3/8" O.D.

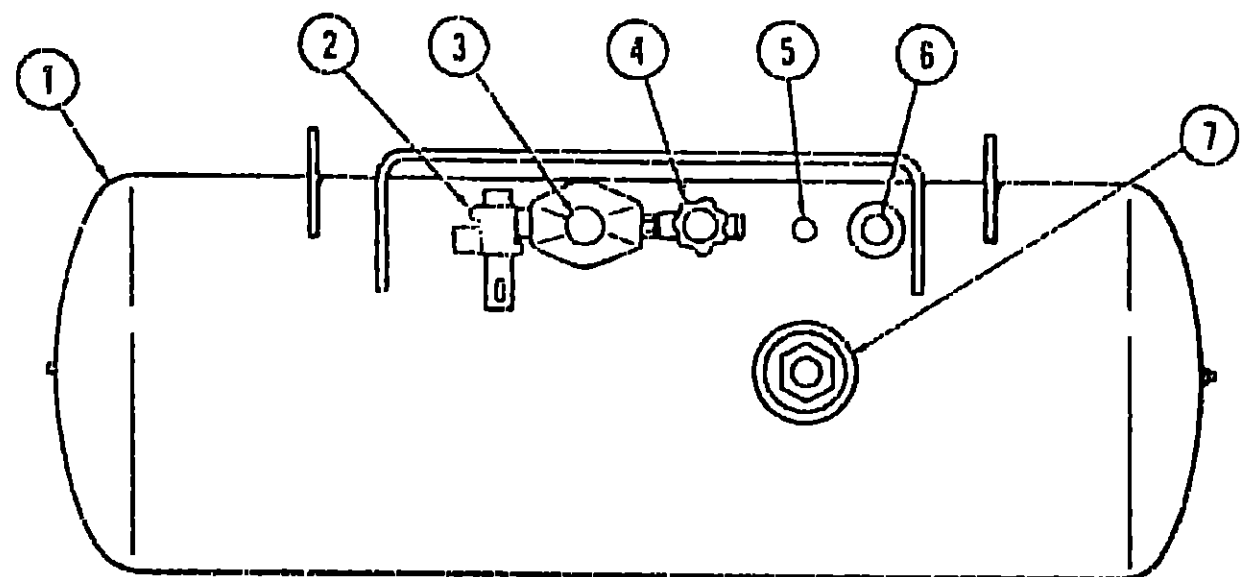
## 1976 WINNEBAGO TABLE OF CONTENTS

Introduction	A-1
Abbreviations	A-1
Alphabetical Index	A-2 - A-4
D19	A-5 - B-16
D21	B-17 - D-4
D26RT	D-5 - E-18
D26CU	E-19 - G-4
D26CUL	G-5 - H-16
D27CU	H-17 - J-4
D27CUL	J-5 - K-12
D29CU	K-13 - L-22

## 1976 D27CU INDEX

Floor Plan	H-17 - H-18
Accessories Group	H-19 - H-20
Bath Group	H-21 - H-22
Chassis Group	H-23
Curtain, Cushion & Pad Group	H-24
	I-1 - I-3
Dinette Group	I-3
Driver's Compartment Group	I-4 - I-5
Electrical Group	I-6 - I-7
Exterior Body Group	I-8 - I-11
Galley Group	I-12
Heating & Air Conditioning Group	I-13 - I-14
Interior Finish Group	I-15 - I-16
LP Group	I-17
Lounge Group	I-18
Water & Sewage Group	I-19
Window, Vent & Exterior Door Group	I-20 - I-24
	J-1 - J-4

## LP GROUP



Key	Part Number	U/M	Description
1	040421-01-000	EA	Tank - LP - Frame Mount - 83 Pound
2	047221-01-000	EA	Detector - LP Gas Leak
3	024712-01-000	EA	Cover - LP Regulator
•	052163-01-000	EA	Regulator - Manual - LP Gas - 2 Stage
4	040421-01-703	EA	Valve - Vapor Relief
5	040421-01-700	EA	Gauge - Liquid Level - 20% LP
6	040421-01-701	EA	Valve - Filler - LP
•	040421-01-702	EA	Cap - Plastic Fill Valve
7	040421-01-707	EA	Gauge - Float w/Visible Dial
•	040421-01-704	EA	Gauge - Float w/Electrical Transmitter Dial
•	040421-01-706	EA	Dial - Visible Face
•	040421-01-705	EA	Dial - Transmitter - 0 - 90 Ohm
•	045703-03-000	EA	Hose Asm. - LP - 3/8" I.D. x 14"
•	047737-02-000	EA	Support - LP - 89.25
•	047737-03-000	EA	Support - LP Tank - 30.50"
•	Not Illustrated		

## LOUNGE GROUP

Key	Part Number	U/M	Description
	044546-01-000	EA	Cabinet Asm. - Twin Bed - Right
	044542-01-000	EA	Cabinet Asm. - Twin Bed - Left
	045753-01-000	EA	Cap - Corner - Plastic - Dark Brown
	044555-01-000	EA	Cabinet Asm. - Overhead - Right - w/o Doors or Hardware
	045053-01-000	EA	Cabinet Asm. - Overhead - Left - w/o Doors or Hardware
	041949-01-700	EA	Door Asm. - Overhead Cabinet - 26 5/16" x 10 1/2" - w/o Hardware
	041949-16-700	EA	Door Asm. - Overhead Cabinet - 23 3/8" x 10 1/2" - w/o Hardware
	044539-01-000	EA	Cabinet Asm. - Furnace - w/o Countertop, Doors, Drawers or Hardware
	044541-01-000	EA	Countertop Asm. - Furnace Cabinet - Green (Martini Mist)
	044541-02-000	EA	Countertop Asm. - Furnace Cabinet - Beige (Champagne Velvet or Sierra Sunset)
	041955-05-700	EA	Drawer Asm. - Furnace Cabinet - 10" x 5 1/2" - w/o Hardware
	041935-41-700	EA	Door Asm. - Wardrobe Cabinet - 18 9/16" x 40 5/16" - w/o Hardware
	044549-01-000	EA	Countertop Asm. - Wardrobe - Left - Green (Martini Mist)
	044549-02-000	EA	Countertop Asm. - Wardrobe - Left - Beige (Champagne Velvet or Sierra Sunset)
	041935-22-700	EA	Door Asm. - Wardrobe Cabinet - 15" x 16 1/2" - w/o Hardware
	041935-40-700	EA	Door Asm. - Wardrobe Cabinet - 16 1/2" x 41 15/16" - w/o Hardware
	044543-01-000	EA	Cabinet Asm. - Night Stand - w/o Countertop
	044544-01-000	EA	Countertop Asm. - Night Stand - Green (Martini Mist)
	044544-02-000	EA	Countertop Asm. - Night Stand - Beige (Champagne Velvet or Sierra Sunset)
	044545-01-000	EA	Countertop Asm. - Night Stand Header - 89 3/4" - Green (Martini Mist)
	044545-02-000	EA	Countertop Asm. - Night Stand Header - 89 3/4" - Beige (Champagne Velvet or Sierra Sunset)
	043316-02-000	EA	Door Asm. - Roll Up - 23 1/4" x 21"
	043257-01-000	FT	Handle - Wood - Roll Up Cabinet Door
	043255-01-000	FT	Track - Roll Up Cabinet Door - Brown Plastic
	043256-01-000	EA	Spiral - Plastic - Roll Up Door - Right
	043256-02-000	EA	Spiral - Plastic - Roll Up Door - Left

## 1976 WINNEBAGO TABLE OF CONTENTS

Introduction	A-1
Abbreviations	A-1
Alphabetical Index	A-2 - A-4
D19	A-5 - B-16
D21	B-17 - D-4
D26RT	D-5 - E-18
D26CU	E-19 - G-4
D26CUL	G-5 - H-16
D27CU	H-17 - J-4
D27CUL	J-5 - K-12
D29CU	K-13 - L-22

## 1976 D27CU INDEX

Floor Plan	H-17 - H-18
Accessories Group	H-19 - H-20
Bath Group	H-21 - H-22
Chassis Group	H-23
Curtain, Cushion & Pad Group	H-24
	I-1 - I-3
Dinette Group	I-3
Driver's Compartment Group	I-4 - I-5
Electrical Group	I-6 - I-7
Exterior Body Group	I-8 - I-11
Galley Group	I-12
Heating & Air Conditioning Group	I-13 - I-14
Interior Finish Group	I-15 - I-16
LP Group	I-17
Lounge Group	I-18
Water & Sewage Group	I-19
Window, Vent & Exterior Door Group	I-20 - I-24
	J-1 - J-4

## WATER AND SEWAGE GROUP

## WINDOW, VENT AND EXTERIOR DOOR GROUP

### PLUMBING REPAIR KITS, PIPE FITTINGS, AND WATER PUMP

Key	Part Number	U/M	Description
	041256-01-000	EA	Tank - Air Accumulator - PAR
	046524-02-000	EA	Kit - Fittings - Plastic - Water Tank
	046524-01-000	EA	Kit - Fittings - Plastic - Holding Tank
	040539-01-000	EA	Kit - Repair - 3/8" O.D. Plastic Tube
	040540-01-000	EA	Kit - Repair - 1/2" O.D. Plastic Tube
	040541-01-000	EA	Kit - Repair - 5/8" O.D. Plastic Tube
	041819-01-000	EA	Nut and Cone - Plastic 1/2" O.D. Tube
	046128-01-000	EA	Valve - Drain - Plastic 1/2 FPT
	039807-01-000	EA	Valve - Drain - Brass 1/2 MPT
	039818-01-000	EA	Riser Asm. - 3/8" O.D. x 24" Tube
	039818-02-000	EA	Riser Asm. - 3/8" O.D. x 36" Tube
	004020-01-000	QT	Adhesive - ABS Cement
	010133-01-000	EA	Adaptor Trap - Plastic 1 1/2 H x MPT
	010134-01-000	EA	Adaptor - Plastic 1 1/2" Male MPT
	010153-01-000	EA	Ring - Closet - Plastic 4F x 3 MPT
	010201-01-000	EA	Hose - Sewer - 3" x 10' w/Clamp
	010235-01-000	EA	Cap - Sewage 3"
	010236-01-000	EA	Adaptor - Hose 3"
	011091-01-000	EA	Waste - Continuous Double Sink 11 7/8"
	010205-01-000	EA	Valve - Sanitary - Thetford 3 XB
	010234-01-000	EA	Adaptor - Bayonet
	011066-01-000	EA	P-Trap - Plastic 1 1/4"
	041279-02-000	EA	Pump - Water Flow 2.8 G.P.M. - PAR
	039647-02-000	EA	Filter - Water - Pump - 1/2 MPT
	039809-01-000	EA	Valve - Stool - Plastic - 3/8" C x 1/2" FPT
	042839-01-000	FT	Hose - Nonpressure PVC - 1/2" I.D.
	010230-02-000	EA	Fill - City Water - Recessed - Off White w/Screw Cap
	011020-01-000	EA	Fill - City Water - Recessed - Off White w/Snap Cap
	042150-01-000	EA	Handle - Extension - Sewer Valve - 5.75"
	042151-01-000	EA	Handle - Extension Sewer Valve - 14.25"
	050780-01-000	EA	Coupler - Rubber - 3" x 3" w/Steel Straps
	037845-01-000	FT	Tape - Butyl - 3/16" Bead - Black

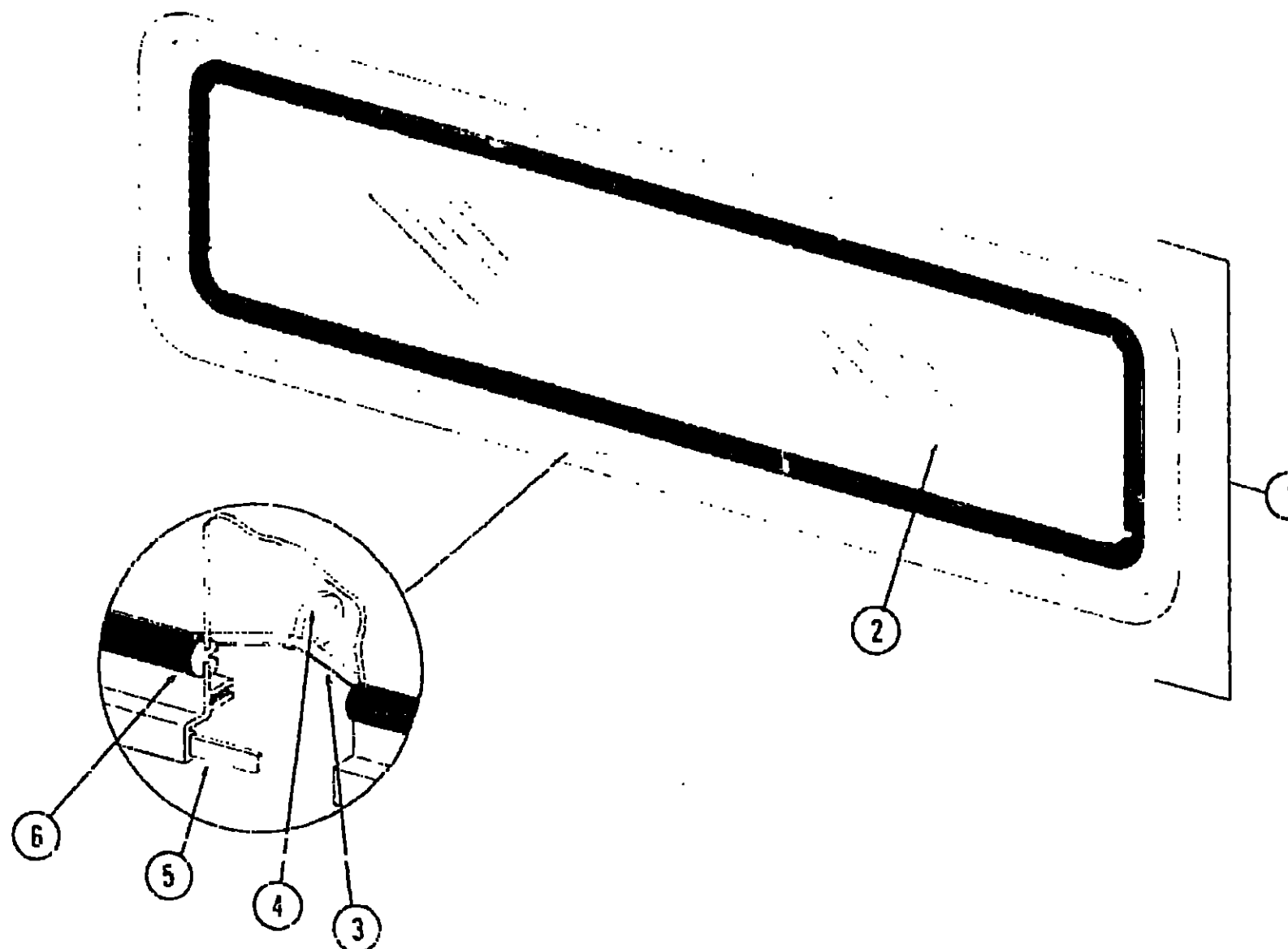
### WATER AND SEWAGE HOLDING TANKS

Key	Part Number	U/M	Description
	044939-01-000	EA	Tank Asm. - Water - 31 Gallon w/Fittings
	044937-01-000	EA	Tank Asm. - Water - 31 Gallon w/o Fittings
	044940-01-000	EA	Tank Asm. - Water - 26 Gallon w/Fittings
	045196-01-000	EA	Tank Asm. - Water - 26 Gallon w/o Fittings
	044598-02-000	EA	Tank Asm. - Holding - Main - 32 Gallon w/Fittings
	044588-01-000	EA	Tank Asm. - Holding - Main - 32 Gallon w/o Fittings
	044589-04-000	EA	Tank Asm. - Holding - Plastic - 29 Gallon - Aux. - w/Fittings
	044589-01-000	EA	Tank Asm. - Holding - Plastic - 29 Gallon - Aux. - w/o Fittings

### WATER HEATER

Key	Part Number	U/M	Description
**	031992-01-000	EA	Water Heater - Atwood - 6 Gallon w/Motor Aid - GH6
**	051392-01-000	EA	Water Heater - Atwood - 6 Gallon w/Motor Aid - GH6-3

\*\*The illustrated parts breakdown for this item is provided on the Common Items Fiche.



Key	Part Number	U/M	Description
1	044689-02-000	EA	Window Asm. Escape - 23" x 68" Black Anod. (w/o Inside Frame)
2	002178-01-000	EA	Glass 1/8" x 19.61" x 64.80"
3	002285-01-000	FT	Weatherstrip - Filler - Black
4	020395-01-000	EA	Slip Ring - Pull
5	004363-01-000	FT	Tape - Foam - 3/16" x 1/2" - Gray
6	002282-01-000	FT	Weatherstrip - Window .125" Black
*	039915-01-000	EA	Frame - Window - Inside - Escape 23" x 68" (not included in assembly)
*	005199-01-000	EA	Label - Exit - Escape Window
*	Not Illustrated		

## 1976 WINNEBAGO TABLE OF CONTENTS

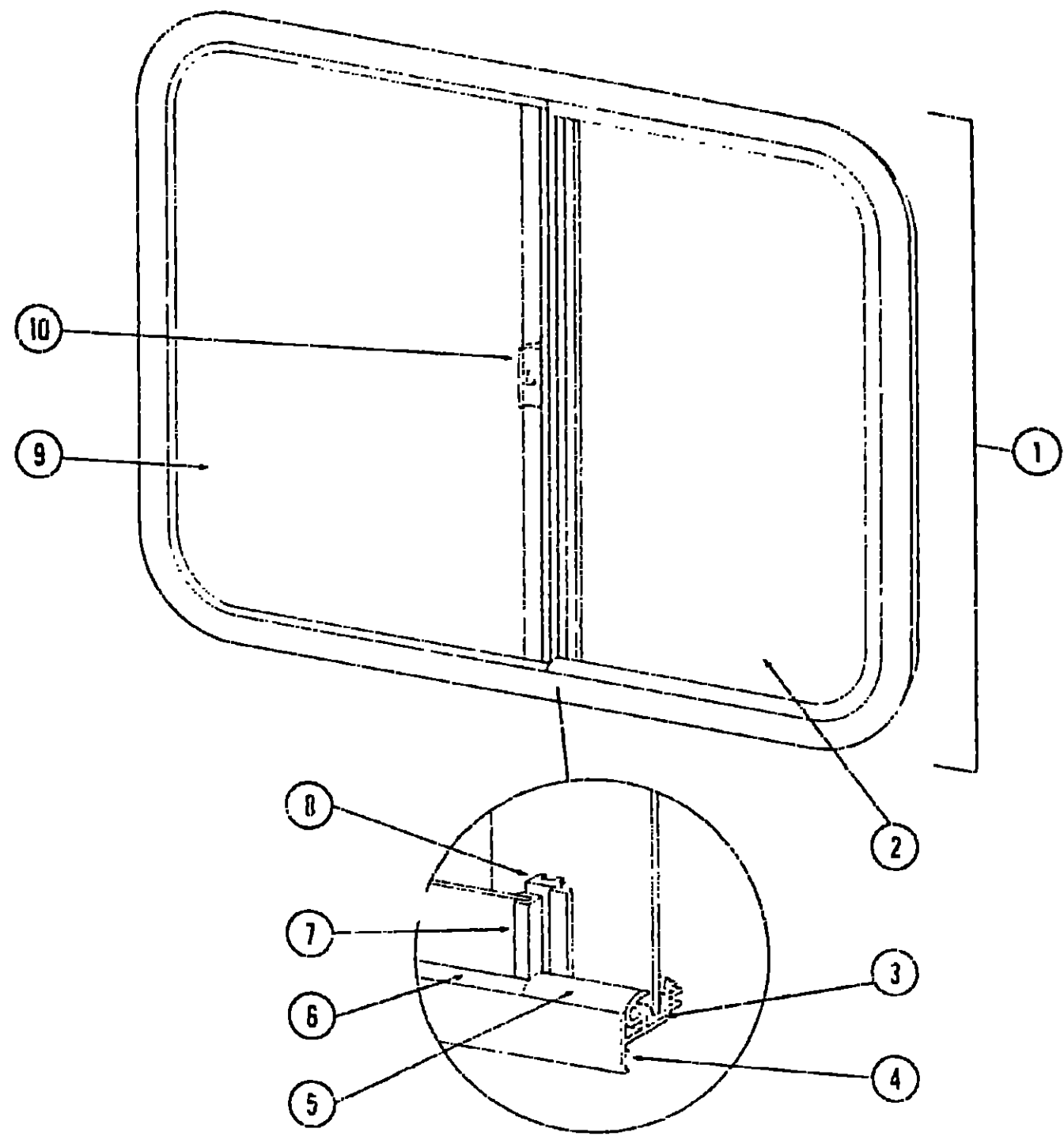
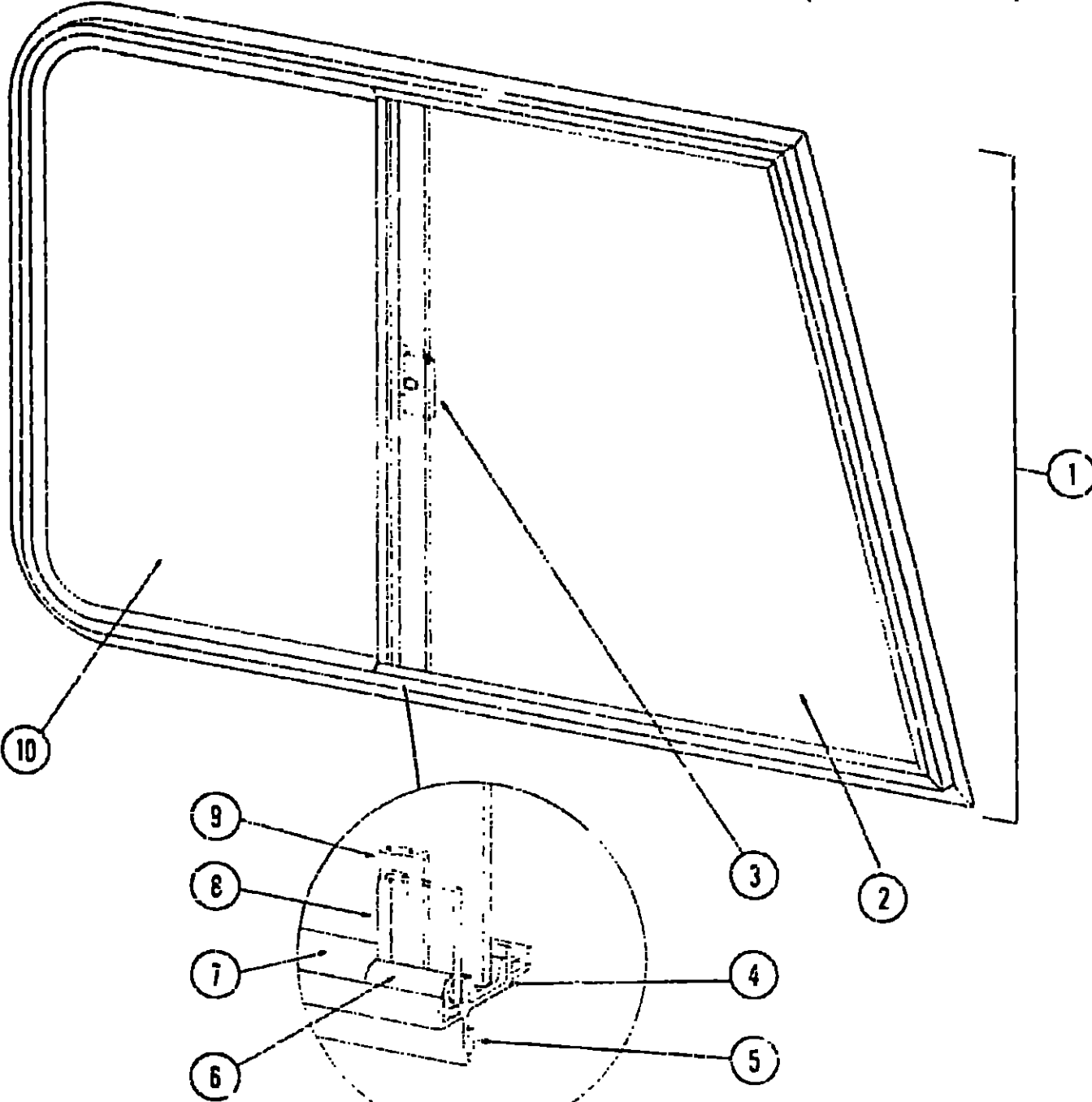
Introduction	A-1
Abbreviations	A-1
Alphabetical Index	A-2 - A-4
D19	A-5 - B-16
D21	B-17 - D-4
D25RT	D-5 - E-18
D26CU	E-19 - G-4
D26CUL	G-5 - H-16
D27CU	H-17 - J-4
D27CUL	J-5 - K-12
D29CU	K-13 - L-22

## 1976 D27CU INDEX

Floor Plan	H-17 - H-18
Accessories Group	H-19 - H-20
Bath Group	H-21 - H-22
Chassis Group	H-25
Curtain, Cushion & Pad Group	H-24
	I-1 - I-3
Dinette Group	I-3
Driver's Compartment Group	I-4 - I-5
Electrical Group	I-6 - I-7
Exterior Body Group	I-8 - I-11
Galley Group	I-12
Heating & Air Conditioning Group	I-13 - I-14
Interior Finish Group	I-15 - I-16
LP Group	I-17
Lounge Group	I-18
Water & Sewage Group	I-19
Window, Vent & Exterior Door Group	I-20 - I-24
	J-1 - J-4

**WINDOW, VENT AND EXTERIOR DOOR GROUP (CONTINUED)**

**WINDOW, VENT AND EXTERIOR DOOR GROUP (CONTINUED)**



Key	Part Number	U/M	Description
1	048628-05-000	EA	Window Asm. - Right - Front Slant Slider - 29" x 40" - Black Anod. w/Plastic Latch (w/o Inside Frame)
1	048628-06-000	EA	Window Asm. - Left Front Slant Slider - 29" x 40" - Black Anod. w/Plastic Latch (w/o Inside Frame)
2	042265-01-000	EA	Glass - 3/16" x 27.91" x 13.94" x 26.36" - Stationary (used w/Plastic or Alum. Latch)
3	047369-01-700	EA	Latch - Window - Plastic w/Fastener
3	023275-04-000	EA	Latch - Window - Aluminum
4	042077-01-000	FT	Channel - Weatherstrip - Glass Run - 3/16" Glass
5	004363-01-000	FT	Tape - Foam - 3/16" x 1/2" - Gray
6	050216-02-000	FT	Spline - 3/16" Glass - Black
7	041928-02-000	FT	Seal - Window Channel - Black
8	002389-03-203	EA	Holder - Glass Seal - Black Anod - 27.125"
9	041894-04-000	EA	Mullion - Slider Window - 25" - Black Anod.
10	047814-01-000	EA	Glass - 3/16" x 27.91" x 14.03" - Sliding (used w/Plastic Latch)
10	042264-01-000	EA	Glass - 3/16" x 27.91" x 14.03" - Sliding (used w/ Alum. Latch)
10	049162-04-000	EA	Frame - Inside - Right Front Slant Slider Window (not included in assembly)
10	049162-03-000	EA	Frame - Inside - Left Front Slant Slider Window (not included in assembly)
10	023713-02-000	EA	Cover - Plastic Weephole - Black
10	Not Illustrated		

Key	Part Number	U/M	Description
1	048531-11-000	EA	Window Asm. - Right Single Slider - 25" x 29" - Black Anod w/Plastic Latch (w/o Inside Frame)
2	047812-01-000	EA	Glass - Sliding - 3/16" x 24" x 13.68" (used w/Plastic Latch)
2	00218C-02-000	EA	Glass - Sliding - 3/16" x 24" x 13.68" (used w/Alum. Latch)
3	042077-01-000	FT	Channel - Weatherstrip - Glass Run - 3/16" Glass
4	004363-01-000	FT	Tape - Foam - 3/16" x 1/2" - Gray
5	050216-02-000	FT	Spline - Glass - 3/16" - Black
6	041982-02-000	FT	Seal - Window Channel - Black
7	002389-03-201	EA	Holder - Glass Seal - Anod. Black
8	041894-04-000	EA	Mullion - Slider Window - 25" - Black Anod.
9	002184-02-000	EA	Glass - 3/16" x 24" x 16.531" - Stationary
10	047369-01-700	EA	Latch - Window - Plastic w/Fastener
10	023275-04-000	EA	Latch - Window - Alum.
10	042147-03-000	EA	Frame - Inside - Single Slider Window - 25" x 29" (not included in assembly)
10	023713-02-000	EA	Cover - Plastic Weephole - Black
10	002298-01-000	FT	Spline - Gray - .130" Dia. (Screen)
10	002293-01-000	SF	Screen - Window - 26" - Gray

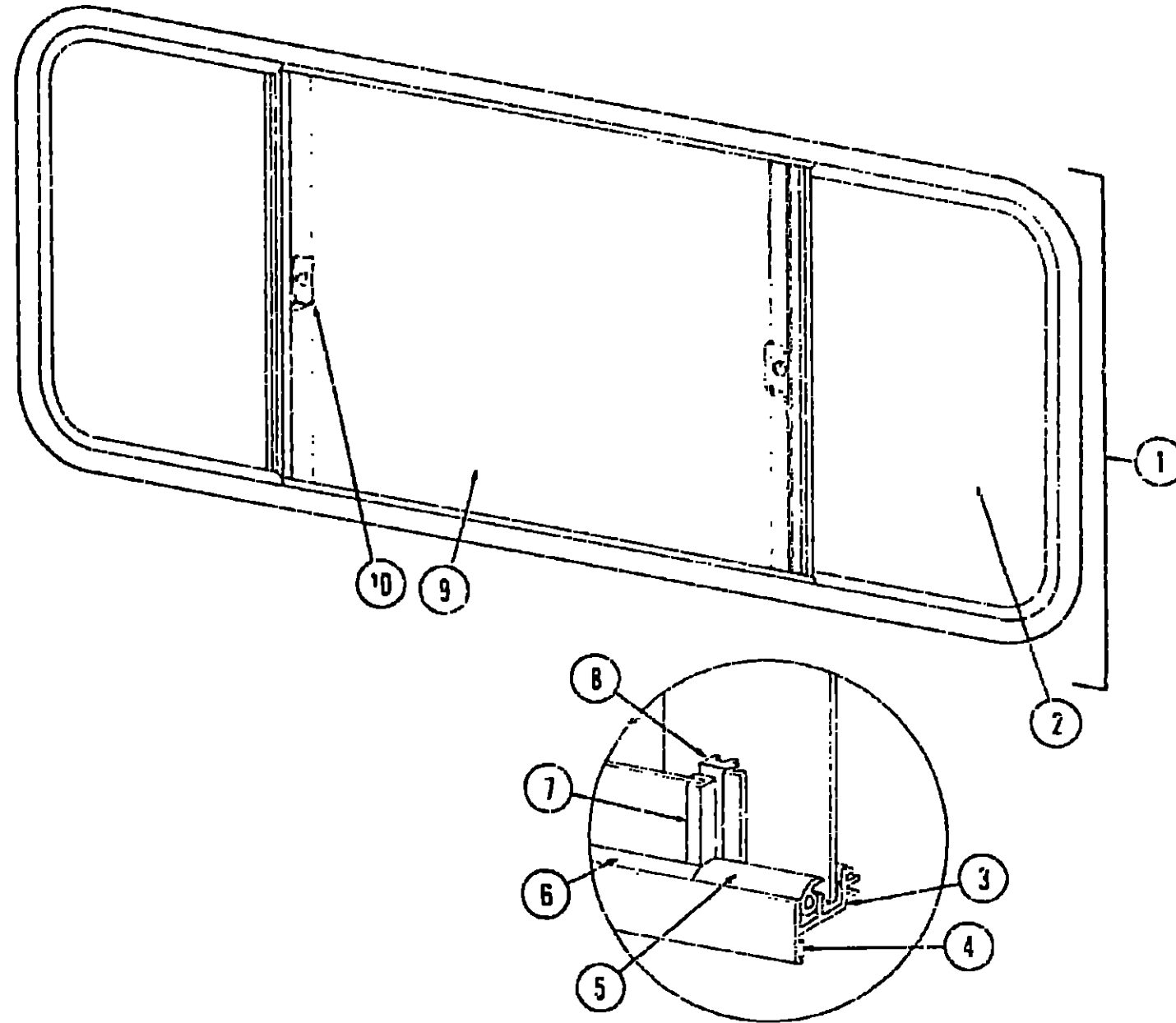
**1976 WINNEBAGO TABLE OF CONTENTS**

Introduction	A-1
Abbreviations	A-1
Alphabetical Index	A-2 - A-4
D19	A-5 - B-16
D21	B-17 - D-4
D26RT	D-5 - E-18
D26CU	E-19 - G-4
D26CUL	G-5 - H-16
D27CU	H-17 - J-4
D27CUL	J-5 - K-12
D29CU	K-13 - L-22

**1976 D27CU INDEX**

Floor Plan	H-17 - H-18
Accessories Group	H-19 - H-20
Bath Group	H-21 - H-22
Chassis Group	H-23
Curtain, Cushion & Pad Group	H-24
	I-1 - I-3
Dinette Group	I-3
Driver's Compartment Group	I-4 - I-5
Electrical Group	I-6 - I-7
Exterior Body Group	I-8 - I-11
Galley Group	I-12
Heating & Air Conditioning Group	I-13 - I-14
Interior Finish Group	I-15 - I-16
LP Group	I-17
Lounge Group	I-18
Water & Sewage Group	I-19
Window, Vent & Exterior Door Group	I-20 - I-24
	J-1 - J-4

**WINDOW, VENT AND EXTERIOR DOOR GROUP (CONTINUED)**



Key	Part Number	U/M	Description
1	048630-08-000	EA	Window Asm. - Double Slider - 25" x 65" - Black Anod. w/Plastic Latches (w/o Inside Frame)
2	047822-01-000	EA	Glass - Sliding - 3/16" x 24" x 21.03" (used w/Plastic Latch)
	002187-02-000	EA	Glass - Sliding - 3/16" x 24" x 21.03" (used w/Alum. Latch)
3	042077-01-000	FT	Channel - Weatherstrip - Glass Run - 3/16" Glass
4	004363-01-000	FT	Tape - Foam - 3/16" x 1/2" - Gray
5	050216-02-000	FT	Spline - Glass - Black
6	041982-01-000	FT	Seal - Window Channel - 3/16" Glass - Black
7	002389-03-203	EA	Extr. - Holder - Glass Seal - 27.125"
8	041894-04-000	EA	Mullion - Slider Window - 25"
9	002188-02-000	EA	Glass - 3/16" x 24" x 25.50" - Stationary
10	047369-01-700	EA	Latch - Window - Plastic w/Fastener
	023275-04-000	EA	Latch - Window - Alum.
	042133-04-000	EA	Frame Asm. - Window - Inside (not included in assembly)
	023713-02-000	EA	Cover - Weephole - Plastic - Black
	002298-01-000	FT	Spline - Gray - .130" Dia. (Screen)
	002293-01-000	SF	Screen - Window - 26" - Gray
	Not Illustrated		

**WINDOW, VENT AND EXTERIOR DOOR GROUP (CONTINUED)**

**WINDSHIELD**

Key	Part Number	U/M	Description
	042744-01-000	EA	Frame Asm. - Windshield w/o Glass
	034975-02-000	EA	Glass - Windshield - Safety Plate w/Tinted Band - Left or Right
	020886-02-000	EA	Tape - Butyl - 31" x 31" x 165" Long

**VENTS**

Key	Part Number	U/M	Description
	009407-01-000	EA	Vent Asm. - Base - Refrigerator Vent w/o Cover
	039778-01-000	EA	Cover - Plastic - Refrigerator Vent
	049352-02-000	EA	Vent - Stovehood - Outside - Beige (Jensen)
	003213-02-000	EA	Vent - Stovehood - Outside - Beige (Strawsine)

**ACCESS DOORS**

Key	Part Number	U/M	Description
	037807-03-000	EA	Door Asm. - Refrigerator Access - Off White
	042451-01-000	EA	Door Asm. - Generator - Beige
	039884-01-000	EA	Lock Asm. - Twist Type w/Clip
	045326-01-000	EA	Door Asm. - Battery (Valance Panel Door)
	042459-01-000	EA	Door Asm. - LP/Utility (Valance Panel Door)
	042453-02-000	EA	Door Asm. - Luggage - 10 3/16" x 46" (Valance Panel Door)
	042453-03-000	EA	Door Asm. - Luggage - 10 3/16" x 37 23/32" (Valance Panel Door)
	042416-01-000	EA	Door Asm. - Trunk - Black w/Key Type Lock
	042441-01-000	EA	Lock Asm. - Key Type (Trunk Door or Valance Panel Door)
	042442-01-000	EA	Lock Asm. - Twist Type (Valance Panel Door)
	042494-01-000	EA	Hinge - Continuous Aluminum - Valance Panel Door

**1976 WINNEBAGO  
TABLE OF CONTENTS**

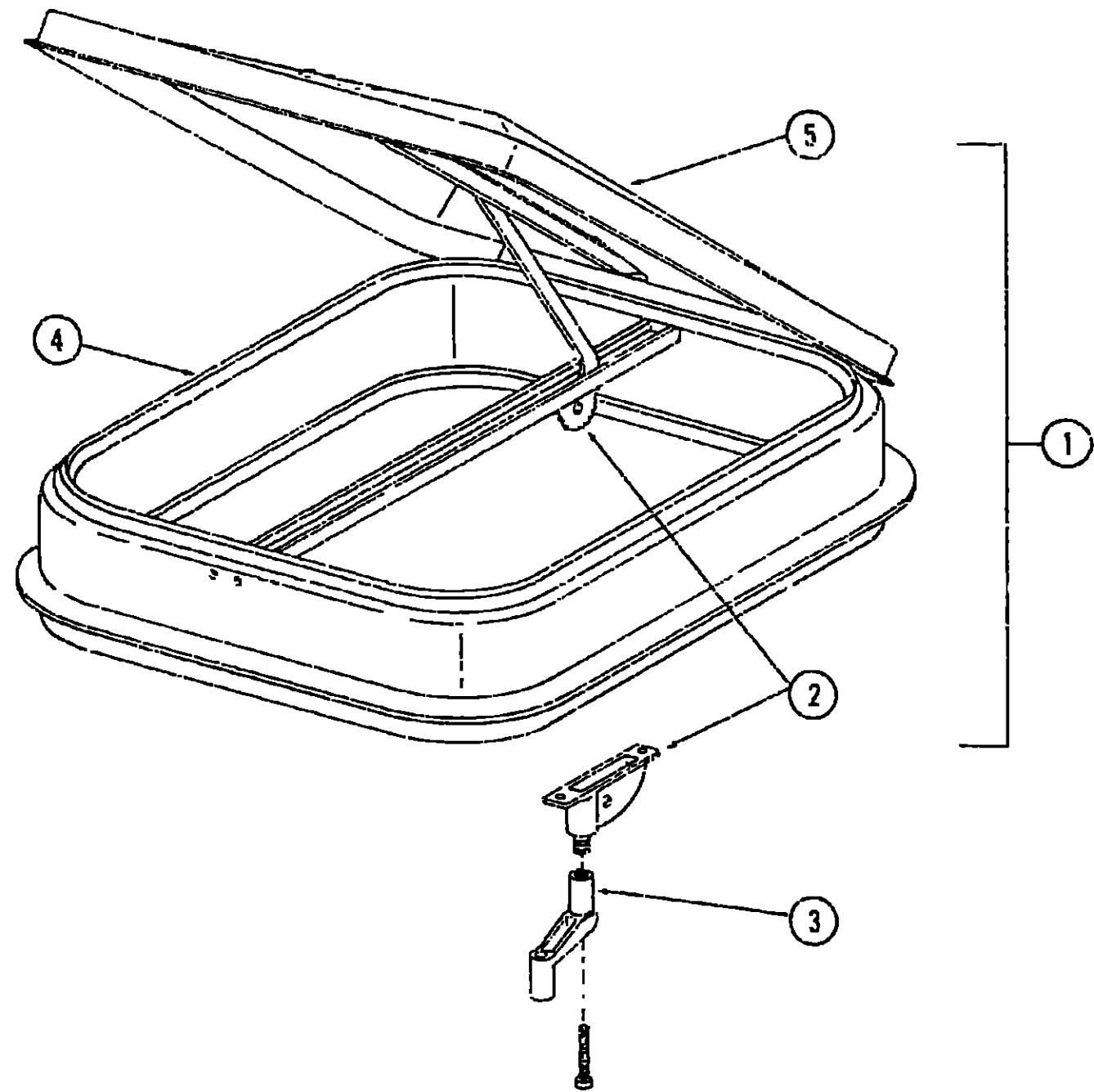
Introduction	A-1
Abbreviations	A-1
Alphabetical Index	A-2 - A-4
D19	A-5 - B-16
D21	B-17 - D-4
D26RT	D-5 - E-18
D26CUJ	E-19 - G-4
D26CUL	G-5 - H-16
D27CUJ	H-17 - J-4
D27CUL	J-5 - K-12
D29CU	K-13 - L-22

**1976 D27CU INDEX**

Floor Plan	H-17 - H-18
Accessories Group	H-19 - H-20
Bath Group	H-21 - H-22
Chassis Group	H-23
Curtain, Cushion & Pad Group	H-24
	I-1 - I-3
Dinette Group	I-3
Driver's Compartment Group	I-4 - I-5
Electrical Group	I-6 - I-7
Exterior Body Group	I-8 - I-11
Galley Group	I-12
Heating & Air Conditioning Group	I-13 - I-14
Interior Finish Group	I-15 - I-16
LP Group	I-17
Lounge Group	I-18
Water & Sewage Group	I-19
Window, Vent & Exterior Door Group	I-20 - I-24
	J-1 - J-4

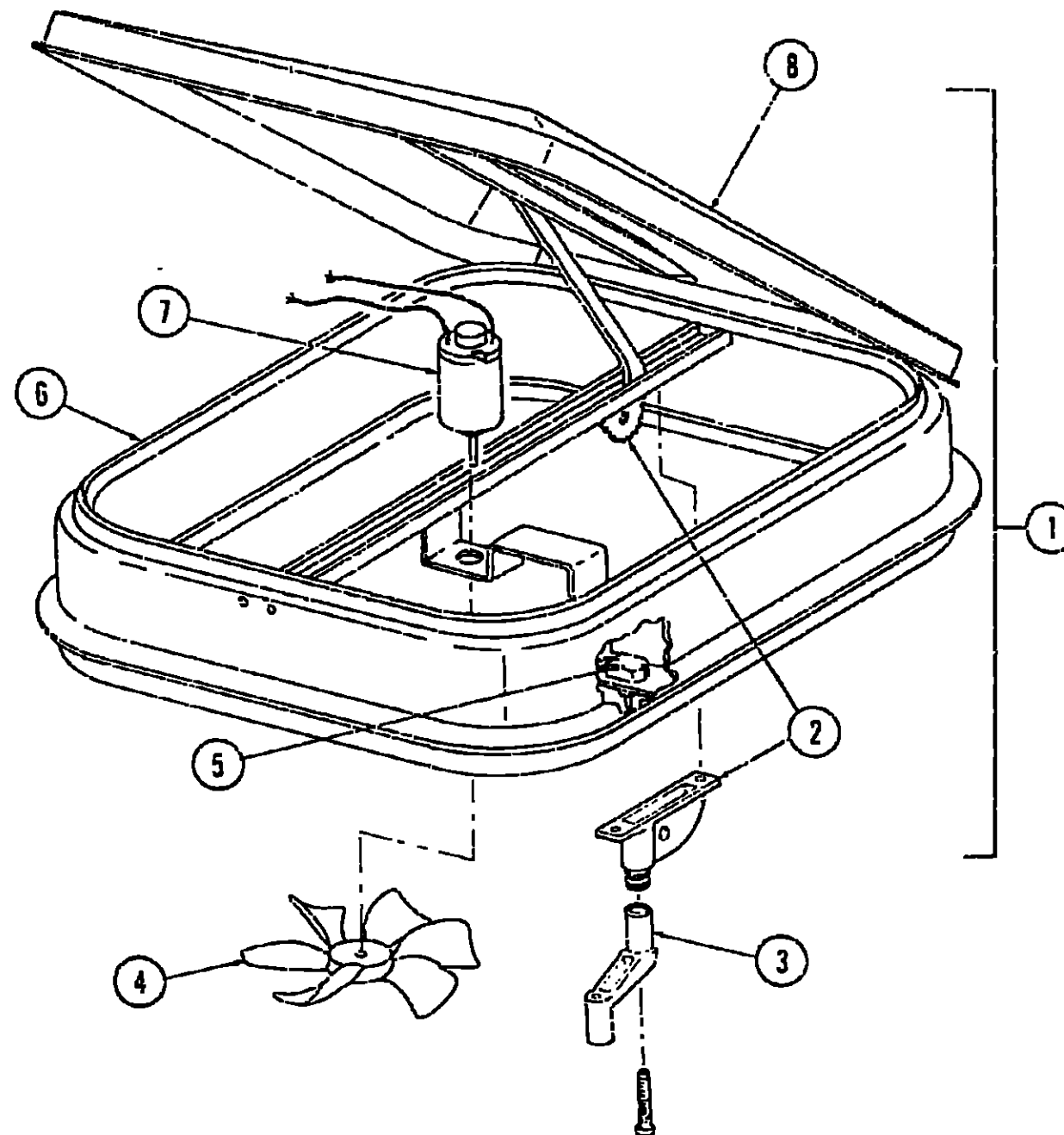


WINDOW, VENT AND EXTERIOR DOOR GROUP (CONTINUED)



Key	Part Number	U/M	Description
1	048835-01-000	EA	Vent Asm. - Roof - Nonpowered - w/o Screen
2	009440-01-000	EA	Gear - Arm - Roof Vent
3	009439-01-000	EA	Crank - Roof Vent
4	002825-01-000	FT	Weatherstrip - Roof Vent
5	046625-01-000	EA	Cover - Plastic - Roof Vent
•	016335-01-000	EA	Screen Asm. - Nonpowered Roof Vent - Clear Anod. (not included in assembly)
•	016335-03-000	EA	Screen Asm. - Nonpowered Roof Vent - Beige (not included in assembly)
•	Not Illustrated		

WINDOW, VENT AND EXTERIOR DOOR GROUP (CONTINUED)



Key	Part Number	U/M	Description
1	048789-01-000	EA	Vent Asm. - Roof - Powered - w/o Screen
2	009440-01-000	EA	Gear - Arm - Roof Vent
3	009439-01-000	EA	Crank - Roof Vent
4	048649-01-000	EA	Fan - Blade - 6" - Plastic
•	009442-01-000	EA	Fan - Blade - Alum.
5	008195-01-000	EA	Switch - Push Button - 12 Volt
6	002825-01-000	FT	Weatherstrip - Roof Vent
7	048648-01-000	EA	Motor - 12 Volt (Vent w/Plastic Fan)
•	009441-01-000	EA	Motor - 12 Volt (Vent w/Alum. Fan)
8	046825-01-000	EA	Cover - Plastic - Roof Vent (Vent w/Plastic Fan)
•	016336-01-000	EA	Cover - Plastic - Roof Vent (Vent w/Alum. Fan)
•	048695-01-000	EA	Screen Asm. - Powered Roof Vent - Clear Anod. Vent w/Plastic Fan (not included w/assembly)
•	016337-01-000	EA	Screen Asm. - Powered Roof Vent - Clear Anod. Vent w/Alum. Fan (not included w/assembly)
•	Not Illustrated		

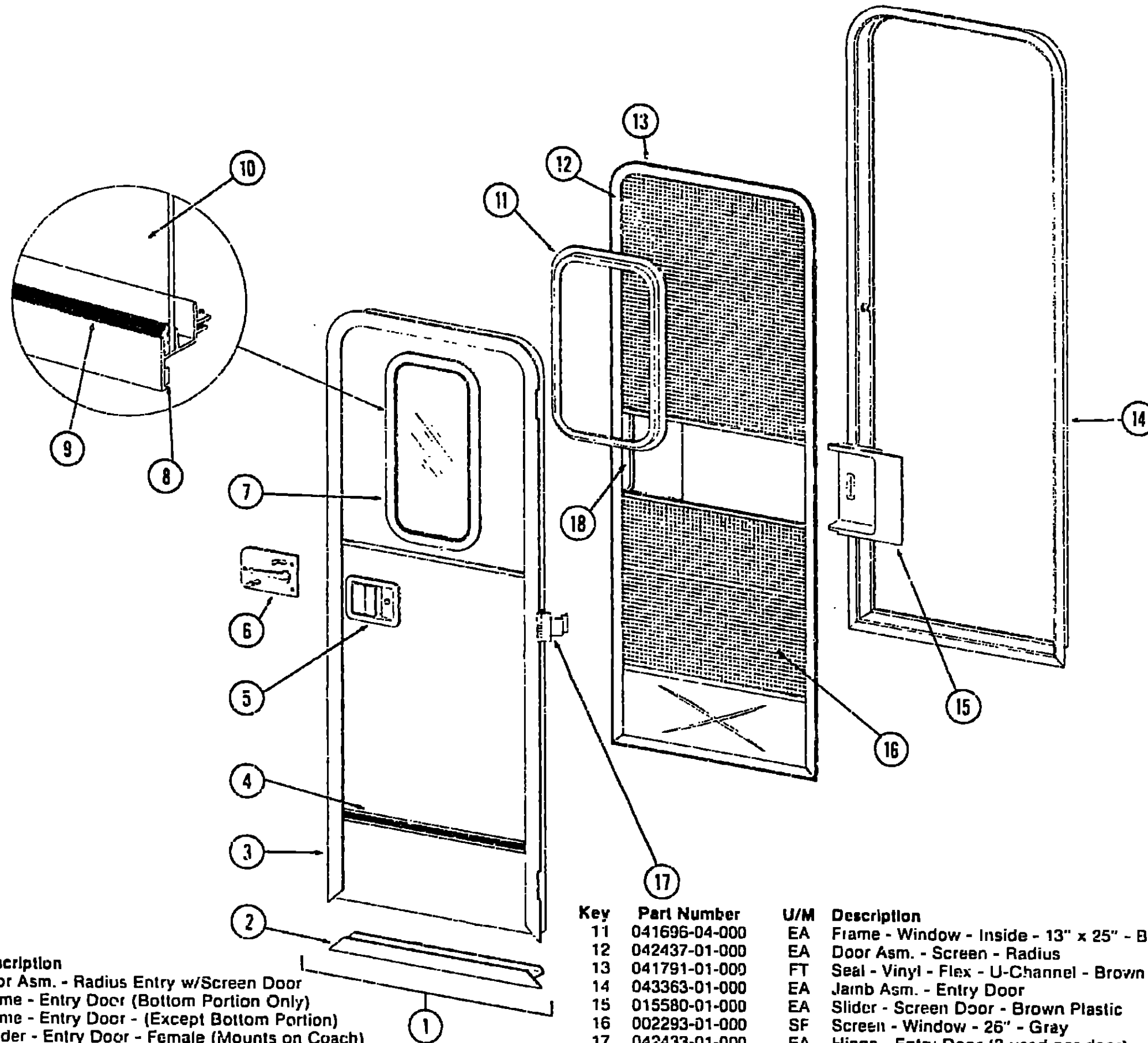
1976 WINNEBAGO  
TABLE OF CONTENTS

Introduction	A-1
Abbreviations	A-1
Alphabetical Index	A-2 - A-4
D19	A-5 - B-16
D21	B-17 - D-4
D26RT	D-5 - E-18
D26CU	E-19 - G-4
D26CUL	G-5 - H-16
D27CU	H-17 - J-4
D27CUL	J-5 - K-12
D29CU	K-13 - L-22

1976 D27CU INDEX

Floor Plan	H-17 - H-18
Accessories Group	H-19 - H-20
Bath Group	H-21 - H-22
Chassis Group	H-23
Curtain, Cushion & Pad Group	H-24
	I-1 - I-3
Dinette Group	I-3
Driver's Compartment Group	I-4 - I-5
Electrical Group	I-6 - I-7
Exterior Body Group	I-8 - I-11
Galley Group	I-12
Heating & Air Conditioning Group	I-13 - I-14
Interior Finish Group	I-15 - I-16
LP Group	I-17
Lounge Group	I-18
Water & Sewage Group	I-19
Window, Vent & Exterior Door Group	I-20 - I-24
	J-1 - J-4

# WINDOW, VENT AND EXTERIOR DOOR GROUP (CONTINUED)



Key	Part Number	U/M	Description
1	042418-01-000	EA	Door Asm. - Radius Entry w/Screen Door
2	039737-02-000	EA	Frame - Entry Door (Bottom Portion Only)
3	041375-01-000	EA	Frame - Entry Door - (Except Bottom Portion)
4	009101-02-000	EA	Holder - Entry Door - Female (Mounts on Coach)
5	009102-01-000	EA	Holder - Entry Door 2 1/2" Male (Mounts on Door)
6	041948-01-000	EA	Kit - Radius Door - Lock - Complete
7	039541-01-000	EA	Lock Cylinder w/Keys
8	039539-01-000	EA	Striker - Entry Door Lock
9	039979-01-000	EA	Plate - Lock - Interior - Including Inside Handle
10	041675-04-000	EA	Window Asm. - Picture - 13" x 25" - Black Anod. (inside frame not included in assembly)
11	004363-01-000	FT	Tape - Foam - 3/16" x 1/2" - Gray
12	002318-02-000	FT	Spline - Glass - 3/16" - Black
13	002181-02-000	EA	Glass - Picture Window - 3/16" x 12" x 24" - Gray

Key	Part Number	U/M	Description
11	041696-04-000	EA	Frame - Window - Inside - 13" x 25" - Brown
12	042437-01-000	EA	Door Asm. - Screen - Radius
13	041791-01-000	FT	Seal - Vinyl - Flex - U-Channel - Brown
14	043363-01-000	EA	Jamb Asm. - Entry Door
15	015580-01-000	EA	Slider - Screen Door - Brown Plastic
16	002293-01-000	SF	Screen - Window - 26" - Gray
17	042433-01-000	EA	Hinge - Entry Door (3 used per door)
18	015581-01-000	EA	Cap - Screen Door - Brown Plastic
	049176-01-000	EA	Hedlok II - 3/4" Diameter - Screw Mount (Retains Screen Door to Entry Door)
	049797-01-000	EA	Hedlok II - 1" Diameter - Screw Mount (Retains Screen Door to Entry Door)
	018019-01-000	EA	Striker - Screen Door
	039863-01-000	EA	Catch Asm. - Single Roller w/Strike - Screen Door
	051390-01-000	FT	Seal - Jamb - Entry Door
	039800-03-000	FT	Tubing - Polybutyl - 3/8" O.D. - Jamb
	Not Illustrated		

J-3

## 1976 WINNEBAGO TABLE OF CONTENTS

Introduction	A-1
Abbreviations	A-1
Alphabetical Index	A-2 - A-4
D19	A-5 - B-16
D21	B-17 - D-4
D26RT	D-5 - E-18
D26CU	E-19 - G-4
D26CUL	G-5 - H-16
D27CU	H-17 - J-4
D27CUL	J-5 - K-12
D29CU	K-13 - L-22

## 1976 D27CU INDEX

Floor Plan	H-17 - H-18
Accessories Group	H-19 - H-20
Bath Group	H-21 - H-22
Chassis Group	H-23
Curtain, Cushion & Pad Group	H-24
	I-1 - I-3
Dinette Group	I-3
Driver's Compartment Group	I-4 - I-5
Electrical Group	I-6 - I-7
Exterior Body Group	I-8 - I-11
Galley Group	I-12
Heating & Air Conditioning Group	I-13 - I-14
Interior Finish Group	I-15 - I-16
LP Group	I-17
Lounge Group	I-18
Water & Sewage Group	I-19
Window, Vent & Exterior Door Group	I-20 - I-24
	J-1 - J-4

J-4