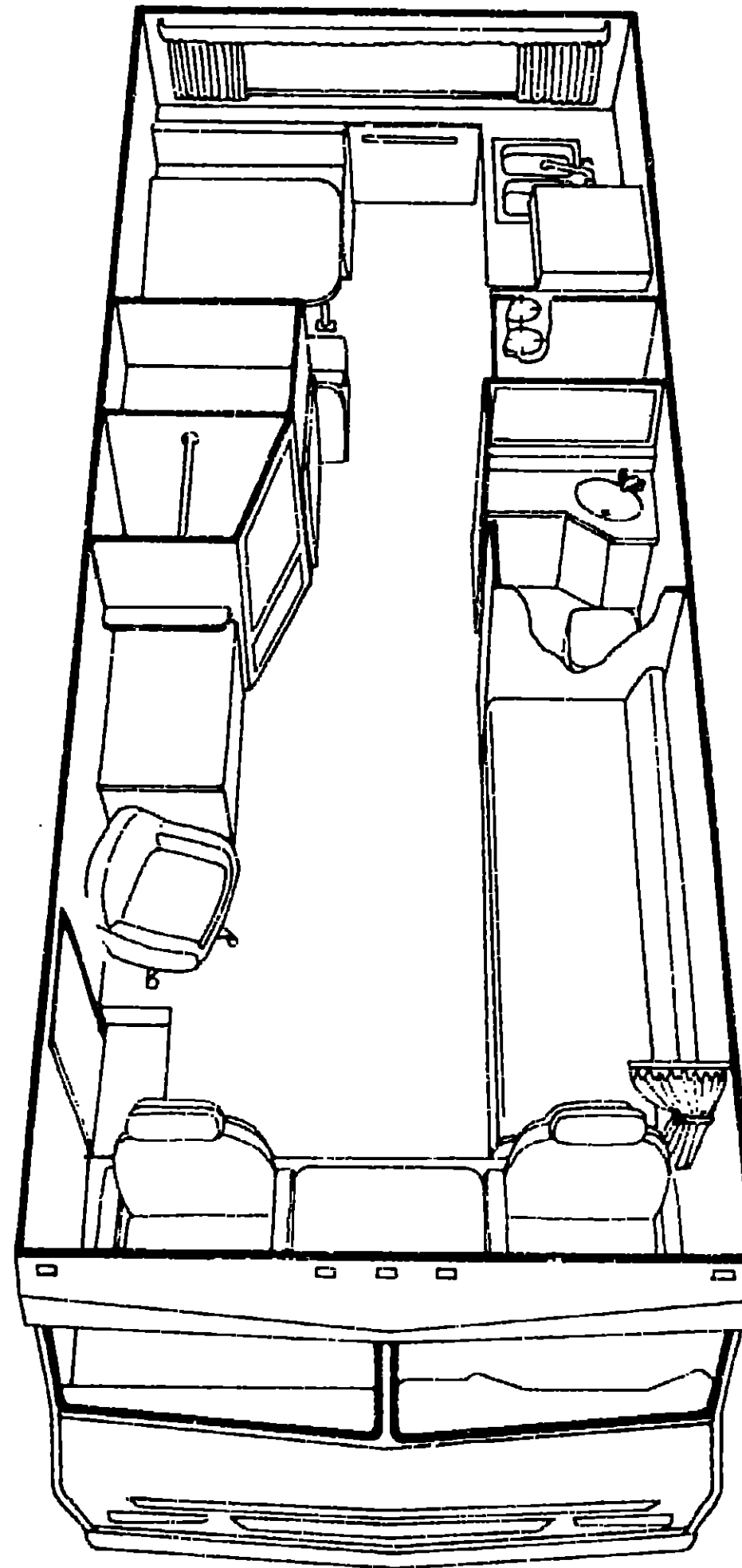


1976 D26CRK



1976 WINNEBAGO TABLE OF CONTENTS

MW25C	A-1 - B-10
MW25CD	B-11 - C-18
MW20RG	C-19 - D-24
MW23RB	E-1 - F-8
MW23RD	F-9 - G-16
D23C	G-17 - I-6
D26CRB	I-7 - J-20
D26CRK	J-21 - L-10

1976 D26CRK INDEX

Floor Plan	J-21 - J-22
Accessories Group	J-23 - J-24
Bath Group	K-1
Chassis Group	K-2 - K-3
Curtain, Cushion & Pad Group	K-4 - K-7
Dinette Group	K-8
Driver's Compartment Group	K-9 - K-10
Electrical Group	K-11 - K-12
Exterior Body Group	K-13 - K-16
Galley Group	K-17
Heating & Air Conditioning Group	K-18
Interior Finish Group	K-19 - K-20
LP Group	K-21
Lounge Group	K-21
Water & Sewage Group	K-22
Window Vent & Exterior Door Group	K-23 - K-24
	L-1 - L-10

ACCESSORIES GROUP

RADIOS AND RELATED ACCESSORIES

Key	Part Number	U/M	Description
	031105-01-700	EA	Clip - Retaining - Side Mount Antenna
	031105-01-000	EA	Antenna - Radio - Side Mount
	039879-01-000	EA	Kit - Radio Speaker - 5 1 4 w/Cover
	049730-01-000	EA	Radio - AM - w Fader - Clarion
	049731-01-000	EA	Radio - AM, FM MPX - w Fader - Clarion
	049732-01-000	EA	Radio - AM, FM MPX - 8 Track - w Fader - Clarion
	050044-01-000	EA	Radio - AM, FM MPX - 8 Track - w CB - JIL
	048153-01-000	EA	Antenna - CB Camper Style - JIL Radio
	050785-01-000	EA	Switch - Rear Volume Control - JIL Radio
	050751-01-000	EA	Plaque - Fader Switch Mic Mounting
	050465-01-000	EA	Bezel - Entertainment Center - Number 1 - (Radio Only)
	050466-01-000	EA	Bezel - Entertainment Center - Number 2 - (Radio and Clock)

SPEED CONTROLS AND COMPONENTS

Key	Part Number	U/M	Description
	024746-01-000	EA	Speed Control Package - 440 C I D - Dodge - Lever Type - A-Body - Dana
	007255-01-700	EA	Regulator Asm
	024746-01-701	EA	Servo Asm - 440
	024746-01-702	EA	Switch - Engage - Lever - 440
	007255-01-703	EA	Cable Asm - Transmission - 42
	007255-01-704	EA	Switch Asm - Decelerate
	024746-01-700	EA	Relay - Speed Control
	047841-01-000	EA	Speed Control Package - 360 C I D - Dodge - Lever Type - A-Body - Dana
	047841-01-701	EA	Servo Asm - 360
	047841-01-700	EA	Switch - Engage - Lever - 360

GENERATORS AND INSTALLATION KITS

Key	Part Number	U/M	Description
	007059-01-000	EA	Generator - Onan - 2500 Watt CCK w/Mounting Bolts and Rubber Feet
	044066-01-000	EA	Generator - Onan - 4500 Watt BF w/Mounting Bolts and Rubber Feet
	007058-01-000	EA	Generator - Onan - 5000 Watt CCK w/Mounting Bolts and Rubber Feet
	035237-01-000	EA	Kit - 2500, 4000, 5000 Onan - Installation w/o Bolt Package and Rubber Feet
	007295-01-000	EA	Tailpipe - Generator Exhaust - 1 62" x 17"
	007131-01-000	EA	Hanger - Tailpipe
	024732-01-004	EA	Steel Tubing - 1 5" O D - 18 Gauge x 34"
	007292-01-000	EA	Muffler - Generator
	007125-07-000	EA	Clamp Asm - Muffler - 2 50" Dia
	057125-01-000	EA	Clamp Asm - Muffler - 1 62" Dia
	007125-03-000	EA	Clamp Asm - Muffler - 1 50" Dia
	042865-01-000	EA	Scoop - Generator - Air
	007067-01-000	SF	Insulation - Fiberglass - 1"
	045226-01-000	EA	Tray - Sliding - Generator
	007059-02-000	EA	Bolt Package
	007059-03-000	EA	Foot - Rubber - Generator Mounting
	031035-01-000	EA	Gauge - Hourmeter
	024976-01-000	EA	Switch - Generator - w/o Circuit Board
	037387-01-000	EA	Switch - Generator w/o Circuit Board

ACCESSORIES GROUP (CONTINUED)

BUNK AND HARDWARE

Key	Part Number	U/M	Description
	043219-01-000	EA	Bunk - Front - Overhead - (Board w/Rails)
	042988-01-000	EA	Support Asm - Left and Right - Overhead Bunk - Dark Brown
	040071-01-700	EA	Support Kit - Overhead Bunk - Seat Belt
	006076-01-000	EA	Ladder - Bunk
	042030-01-000	EA	Cabinet - Front Overhead w/o Doors or Hardware
	009148-01-000	EA	Pull - Finger - 3 4" Brass (Sliding Cabinet Door)
	009785-01-000	FT	Track - Sliding Door - Upper - Dark Brown Plastic
	009786-01-000	FT	Track - Sliding - Lower - Dark Brown Plastic
	042964-02-000	EA	Door Asm - Sliding - Front Overhead Bunk Cabinet

MISCELLANEOUS ACCESSORIES

Key	Part Number	U/M	Description
	017516-01-000	EA	Mudflap - Black - 14" x 18" w/Holes
	006069-01-000	EA	Case - Leather Key - Motor Home
	007038-01-000	EA	Mat - Door - Black Rubber - 10 1/2" x 26"
	006053-01-000	EA	Antenna - TV - Braun Delux
	006093-01-000	EA	Jack - TV - Brown (Antenna)
	040899-01-000	EA	Ladder Asm - w Luggage Rack Round
	040899-02-000	EA	Ladder Only - For Rack and Ladder Asm
	006113-01-000	EA	Jack - Hydraulic - 5 Ton
	041944-01-700	EA	Fire Extinguisher w Bracket
	034410-14-000	EA	Cover - Spare Tire w Brown "W" - 32"

1976 WINNEBAGO TABLE OF CONTENTS

MW25C	A-1 - B-10
MW25CD	B-11 - C-18
MW20RG	C-19 - D-24
MW23RB	E-1 - F-8
MW23RD	F-9 - G-16
D23C	G-17 - I-6
D26CRB	I-7 - J-20
D26CRK	J-21 - L-10

1976 D26CRK INDEX

Floor Plan	J-21 - J-22
Accessories Group	J-23 - J-24
Bath Group	K-1
Chassis Group	K-2 - K-3
Curtain, Cushion & Pad Group	K-4 - K-7
Dinette Group	K-8
Driver's Compartment Group	K-9 - K-10
Electrical Group	K-11 - K-12
Exterior Body Group	K-13 - K-16
Galley Group	K-17
Heating & Air Conditioning Group	K-18
Interior Finish Group	K-19 - K-20
LP Group	K-21
Lounge Group	K-21
Water & Sewage Group	K-22
Window, Vent & Exterior Door Group	K-23 - K-24
	L-1 - L-10

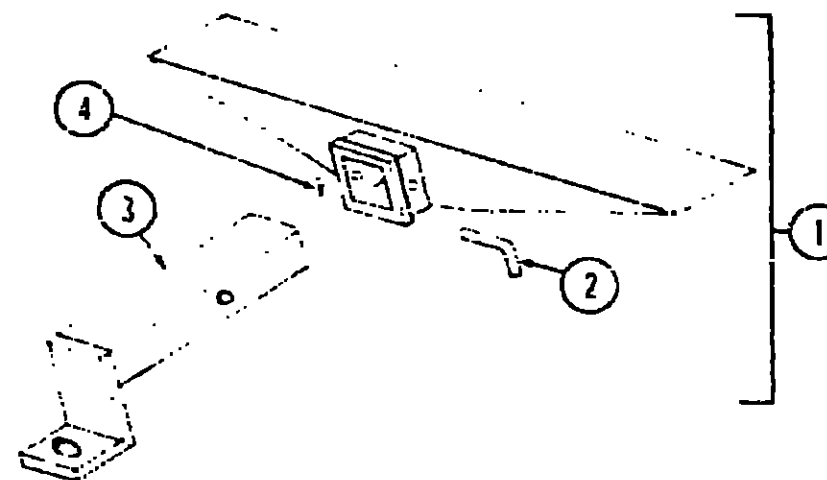
BATH GROUP

Key	Part Number	U/M	Description
	009133-02-000	EA	Bar - Towel Rack - 16" - Plastic
	023449-01-000	EA	Support - Towel Rack - Chrome - Left or Right
	009134-01-000	EA	Holder - Tissue
	009089-01-000	EA	Clip - Mirror - Plastic w Screw
	043579-01-000	EA	Mirror - 1/8" x 19" x 26"
	009096-01-000	EA	Mirror - 1/8" x 12" x 42" - Beveled
	009095-02-000	EA	Mirror - 1/8" x 12" x 36" - Beveled
	011057-01-000	EA	Faucet - Lavatory and Shower
	011063-01-000	EA	Plug - 3/8" 1 1/4" x 5" w/Chain and Stop
	045390-01-000	EA	Sink - Oval - Plastic - Ivory
	011069-01-000	EA	Tailpiece - 1 1/4" - Brass
	011065-01-000	EA	Strainer - Shower Pan
	042711-01-000	EA	Shower Pan
	034699-03-000	EA	Cover - Screw - PPM 10 - Ivory
	010495-01-000	EA	Clamp - Cable 9 1/8" (For Shower Hose)
	011048-01-000	EA	Shower Head - w 59" Hose
	011048-01-700	EA	Vacuum Breaker - 1/8" MPT Nylon Shower Hose
	009112-01-000	EA	Flange - 1" - Chrome Rod
	009150-01-000	EA	Warp Guard - 64"
	009151-01-000	EA	Warp Guard - 48"
	042601-01-700	EA	Door Asm - Bathroom - w/o Hardware
	009124-01-000	EA	Lock - Door - Push Button Brass
	042905-01-000	EA	Cabinet Asm - Wardrobe - w/o Hardware
	042602-01-000	EA	Door Asm - Cabinet - 18" x 51 1/8" w/o Hardware
	043216-01-000	EA	Cabinet Asm - Medicine - w/o Doors or Hardware
	042964-01-000	EA	Door Asm - Sliding - Medicine Cabinet
	009148-01-000	EA	Finger Pull - 3/4" Dia. - Brass
	009785-01-000	FT	Track - Sliding Door - Upper - Dark Brown
	009786-01-000	FT	Track - Sliding Door - Lower - Dark Brown
	042094-01-701	EA	Cabinet Asm - Vanity - w/o Doors, Drawers or Hardware
	042094-01-700	EA	Countertop Asm - Vanity Cabinet - w/Cutout - Green
	042094-02-700	EA	Countertop Asm - Vanity Cabinet - w/Cutout - Gold
	042094-03-700	EA	Countertop Asm - Vanity Cabinet - w/Cutout - Rust
	042702-01-700	EA	Drawer Asm - Vanity Cabinet - w/o Hardware 5 25" x 14 1/2"
**	039341-02-000	EA	Stool Asm - Ivory - Aqua Magic - Model SH
**	041340-01-000	EA	Toilet - Marine - Aqua Magic III

**The illustrated parts breakdown for this item is provided on the Common Items Fiche

CHASSIS GROUP

Key	Part Number	U/M	Description
	024562-01-700	EA	Step - Pull-Out - Entry Door
	045602-01-000	EA	Panel - Headlight - Right
	045603-01-000	EA	Panel - Headlight - Left
	045611-01-000	EA	Hoodboard - Steel - Right
	045611-02-000	EA	Hoodboard - Steel - Left
	024109-01-000	-	Hose - Fuel - 3 1/8" I.D. SAE30R1
	033599-01-000	EA	Hose - Fuel - 2" I.D. x 45.50
	007140-01-000	EA	Clamp - Hose - 2" to 3" Dia
	016263-02-000	EA	Fill - Gas - Single - Beige
	007138-01-000	EA	Clamp 1 1/4" to 3/4" Dia
	007100-01-000	EA	Gasket 3 1/2" x 2" x 2" Tire Carcass
	030862-01-000	EA	Tank - Fuel - Aux - 27 1/2 Gallon
	043096-01-000	EA	Strap - Fuel Tank Mount
	017571-02-000	EA	Support Asm - Auxiliary Fuel Tank
	036983-01-000	EA	Sending Unit - Fuel 7.8 Ohm - Auxiliary Fuel Tank
	045814-01-000	EA	Fill - Gas - w Vent - 4 5/8"
	024611-01-000	EA	Cap - Gas Pressure 150" Black
	035102-01-000	EA	Cover - Rear Radiator
	007131-01-000	EA	Hanger - Tailpipe
	035260-01-000	EA	Wheel Well - Plastic - Black - Left or Right
	007125-01-000	EA	Clamp - Asm - Muffler - 1 1/2" Dia
	007249-01-000	EA	Tailpipe - Curved - 2 1/2" x 59"
	007125-02-000	EA	Clamp Asm - Muffler - 2 5/8" Dia



Key	Part Number	U/M	Description
1	023695-01-700	EA	Hitch Kit - w Drawbar
2	034512-01-000	EA	Pin - Locking - Drawbar
3	024876-01-700	EA	Drawbar Asm - Trailer Hitch - Primed
4	034513-01-000	EA	Pin - Hitch - 3 1/8" Wire Spring

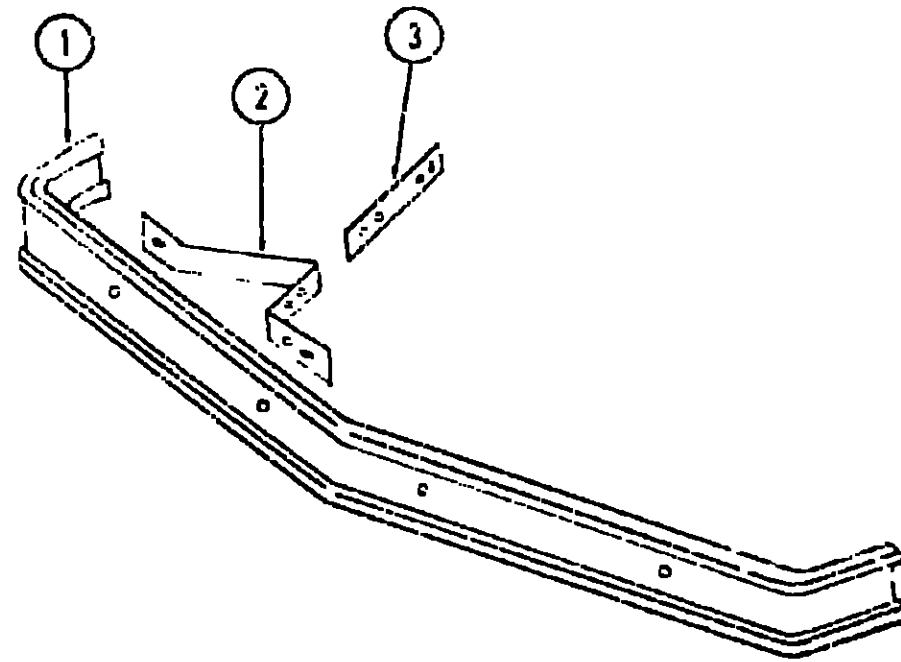
1976 WINNEBAGO TABLE OF CONTENTS

MW25C	A-1 - B-10
MW25CD	B-11 - C-18
MW20RG	C-19 - D-24
MW23RB	E-1 - F-8
MW23RD	F-9 - G-16
D25C	G-17 - I-6
D26CRB	I-7 - J-20
D26CRK	J-21 - L-10

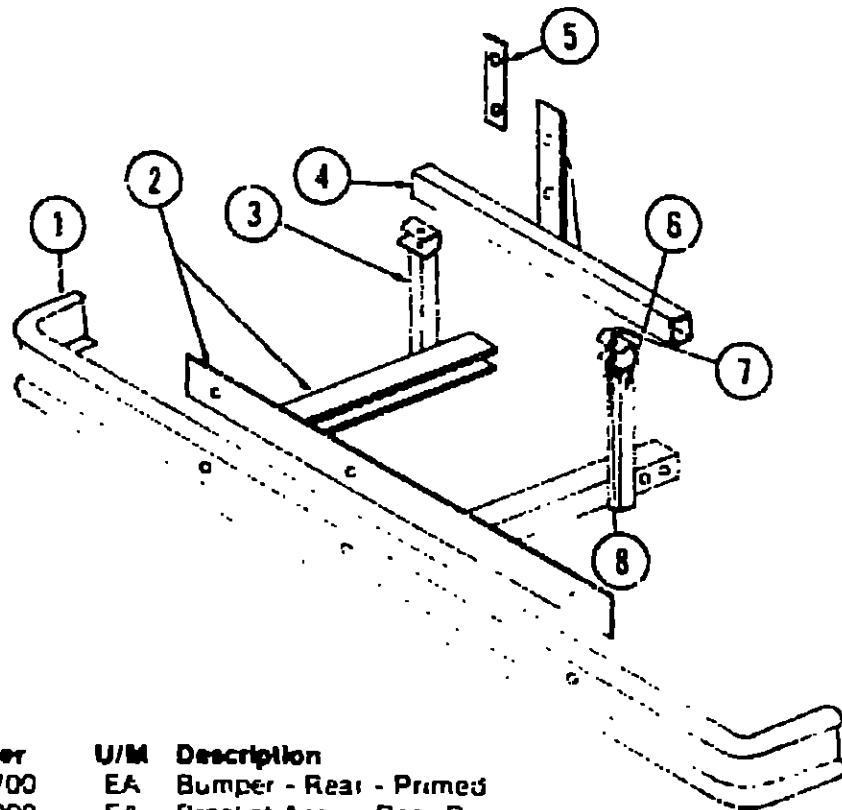
1976 D26CRK INDEX

Floor Plan	J-21 - J-22
Accessories Group	J-23 - J-24
Bath Group	K-1
Chassis Group	K-2 - K-3
Curtain, Cushion & Pad Group	K-4 - K-7
Dinette Group	K-8
Driver's Compartment Group	K-9 - K-10
Electrical Group	K-11 - K-12
Exterior Body Group	K-13 - K-16
Galley Group	K-17
Heating & Air Conditioning Group	K-18
Interior Finish Group	K-19 - K-20
LP Group	K-21
Lounge Group	K-21
Water & Sewage Group	K-22
Window, Vent & Ext. Door Group	K-23 - K-24
	L-1 - L-10

CHASSIS GROUP (CONTINUED)



Key	Part Number	U/M	Description
1	020259-01-700	EA	Bumper - Front - Beige Primed
2	023496-03-000	EA	Bracket - Bumper - Beige - Right or Left
3	023520-03-000	EA	Bar - Bumper - Beige - Right or Left



Key	Part Number	U/M	Description
1	020858-01-700	EA	Bumper - Rear - Primed
2	046043-05-000	EA	Bracket Asy. - Rear Bumper
3	022445-01-000	EA	Bracket - Tire Carrier - Left
4	016924-02-000	EA	Bracket - Tire Carrier
5	040974-01-000	EA	Retainer - Spare Tire
6	021356-01-000	EA	Bracket - Tire Carrier - Right
7	015365-01-000	EA	Pin - Tire Carrier
8	005522-01-000	EA	Pin - Hitch - 5-32" Wire

CURTAIN, CUSHION AND PAD GROUP

CURTAINS

Key	Part Number	U/M	Description
	043120-82-000	EA	Curtain - w Snap Top - Green
	043120-83-000	EA	Curtain - w Snap Top - Gold
	043120-84-000	EA	Curtain - w Snap Top - Rust
	041904-04-000	EA	Curtain - Pleated w/Snap - Right - 25" x 42" - Green
	041904-05-000	EA	Curtain - Pleated w/Snap - Right - 25" x 42" - Gold
	041904-06-000	EA	Curtain - Pleated w/Snap - Right - 25" x 42" - Rust
	041905-04-000	EA	Curtain - Pleated w/Snap - Left - 25" x 42" - Green
	041905-05-000	EA	Curtain - Pleated w/Snap - Left - 25" x 42" - Gold
	041905-06-000	EA	Curtain - Pleated w/Snap - Left - 25" x 42" - Rust
	041904-07-000	EA	Curtain - Pleated w/Snap - Right - 25" x 62" - Green
	041904-08-000	EA	Curtain - Pleated w/Snap - Right - 25" x 62" - Gold
	041904-09-000	EA	Curtain - Pleated w/Snap - Right - 25" x 62" - Rust
	041905-07-000	EA	Curtain - Pleated w/Snap - Left - 25" x 62" - Green
	041905-08-000	EA	Curtain - Pleated w/Snap - Left - 25" x 62" - Gold
	041905-09-000	EA	Curtain - Pleated w/Snap - Left - 25" x 62" - Rust
	039928-06-000	EA	Curtain - w Snap - 24" x 45" - Green
	039928-07-000	EA	Curtain - w Snap - 24" x 45" - Gold
	039928-08-000	EA	Curtain - w Snap - 24" x 45" - Rust
	033315-53-000	EA	Curtain - Privacy - 36" x 72" - Green
	033315-54-000	EA	Curtain - Privacy - 36" x 72" - Gold
	033315-55-000	EA	Curtain - Privacy - 36" x 72" - Rust
	033311-25-000	EA	Curtain - Blackout - 56" x 96" - Brown
	045730-01-000	EA	Curtain - Shower - Plastic - White
	041243-10-000	EA	Curtain - Wraparound - Right - 25" x 106" - Green
	041243-11-000	EA	Curtain - Wraparound - Right - 25" x 106" - Gold
	041243-12-000	EA	Curtain - Wraparound - Right - 25" x 106" - Rust
	041244-10-000	EA	Curtain - Wraparound - Left - 25" x 106" - Green
	041244-11-000	EA	Curtain - Wraparound - Left - 25" x 106" - Gold
	041244-12-000	EA	Curtain - Wraparound - Left - 25" x 106" - Rust

VALANCES AND TIE BACKS

Key	Part Number	U/M	Description
	031843-36-000	EA	Tie Back - Curtain - 16" - Green
	031843-37-000	EA	Tie Back - Curtain - 16" - Gold
	031843-38-000	EA	Tie Back - Curtain - 16" - Rust
	031843-39-000	EA	Tie Back - Curtain - 16" - Brown Vinyl
	041291-30-000	EA	Valance w/Header - 5 5" x 48" - Green
	041291-31-000	EA	Valance w/Header - 5 5" x 48" - Gold
	041291-32-000	EA	Valance w/Header - 5 5" x 48" - Rust
	041251-24-000	EA	Valance w/Header - 5 5" x 72" - Green
	041291-25-000	EA	Valance w/Header - 5 5" x 72" - Gold
	041291-26-000	EA	Valance w/Header - 5 5" x 72" - Rust
	041291-27-000	EA	Valance w/Header - 5 5" x 36" - Green
	041291-28-000	EA	Valance w/Header - 5 5" x 36" - Gold
	041291-29-000	EA	Valance w/Header - 5 5" x 36" - Rust

MATTRESSES

Key	Part Number	U/M	Description
	041914-04-000	EA	Mattress - Flexsteel Bunk - 42" x 79" x 4" - Green
	041914-05-000	EA	Mattress - Flexsteel Bunk - 42" x 79" x 4" - Gold
	041914-06-000	EA	Mattress - Flexsteel Bunk - 42" x 79" x 4" - Rust

1976 WINNEBAGO TABLE OF CONTENTS

MW25C	A-1 - B-10
MW25CD	B-11 - C-18
MW20RG	C-19 - D-24
MW23RB	E-1 - F-8
MW23RD	F-9 - G-16
D23C	G-17 - I-6
D26CRB	I-7 - J-20
D26CRK	J-21 - L-10

1976 D26CRK INDEX

Floor Plan	J-21 - J-22
Accessories Group	J-23 - J-24
Bath Group	K-1
Chassis Group	K-2 - K-3
Curtain, Cushion & Pad Group	K-4 - K-7
Drnette Group	K-8
Driver's Compartment Group	K-9 - K-10
Electrical Group	K-11 - K-12
Exterior Body Group	K-13 - K-16
Galley Group	K-17
Heating & Air Conditioning Group	K-18
Interior Finish Group	K-19 - K-20
LP Group	K-21
Lounge Group	K-21
Water & Sewage Group	K-22
Window, Vent & Exterior Door Group	K-23 - K-24
	L-1 - L-10

CURTAIN, CUSHION AND PAD GROUP (CONTINUED)

CURTAIN HARDWARE

Key	Part Number	U/M	Description
	009107-01-000	EA	Guide - Nylon - Snap
	009701-01-000	EA	Carrier - Curtain
	009702-01-000	EA	End Stop - Curtain Track (used with "L" Rod)
	029100-01-000	EA	Hook - Curtain (Privacy Curtain)
	009136-01-000	EA	Hook - Shower Curtain
	050826-01-000	EA	Track - Wraparound Curtain - Right
	050826-02-000	EA	Track - Wraparound Curtain - Left
	037872-01-000	EA	Rod - Double Curtain Flat - Extends 48" - 84"
	037872-03-000	EA	Rod - Double Curtain Flat - Extends 28" - 48"
	018031-42-000	EA	Track - Curtain - "L" Rod - 90" Alum
	052327-04-236	EA	Curtain Track - Alum. - Brown - 29"
	009223-02-000	EA	Rod - Curtain - Flat - Extends 48" - 84"
	009224-01-000	EA	Rod - Curtain - Flat - Extends 28" - 48"
	042439-01-000	EA	Bracket - Curtain Rod - Single



Key	Part Number	U/M	Description
1	029130-01-000	EA	Socket - Snap Fastener (Tie Backs)
2	029155-01-000	EA	Cap - Snap .155" Dia x .17" Barrel (Tie Backs)
3	029156-01-000	EA	Socket - Snap Fastener (Tie Backs)
4	029092-01-000	EA	Stud - Nickel Finish (Curtains)
5	029093-01-000	EA	Eyelet - Nickel Finish (Curtains)

LOUNGE CUSHIONS AND SWIVEL CHAIRS

Key	Part Number	U/M	Description
	041910-07-000	EA	Cushion - Waterfall - 28" x 79" x 5" - Green
	041910-08-000	EA	Cushion - Waterfall - 28" x 79" x 5" - Gold
	041910-09-000	EA	Cushion - Waterfall - 28" x 79" x 5" - Rust
	041910-07-007	EA	Cover - Cushion - Waterfall - 28" x 79" x 5" - Green
	041910-08-008	EA	Cover - Cushion - Waterfall - 28" x 79" x 5" - Gold
	041910-09-009	EA	Cover - Cushion - Waterfall - 28" x 79" x 5" - Rust
	042384-04-000	EA	Skirt - Lounge - 15" x 81" - Green
	042384-05-000	EA	Skirt - Lounge - 15" x 81" - Gold
	042384-06-000	EA	Skirt - Lounge - 15" x 81" - Rust
	042949-01-000	EA	Cushion - Waterfall - 16" x 39" x 6" - Green
	042949-02-000	EA	Cushion - Waterfall - 16" x 39" x 6" - Gold
	042949-03-000	EA	Cushion - Waterfall - 16" x 39" x 6" - Rust
	042949-01-001	EA	Cover - Cushion - Waterfall - 16" x 39" x 6" - Green
	042949-02-002	EA	Cover - Cushion - Waterfall - 16" x 39" x 6" - Gold
	042949-03-003	EA	Cover - Cushion - Waterfall - 16" x 39" x 6" - Rust
	042986-01-000	EA	Chair Asm. - TT - Green
	042986-02-000	EA	Chair Asm. - TT - Gold
	042986-03-000	EA	Chair Asm. - TT - Rust
	042987-01-000	EA	Cushion Asm. - TT Chair - Green
	042987-02-000	EA	Cushion Asm. - TT Chair - Gold
	042987-03-000	EA	Cushion Asm. - TT Chair - Rust
	035036-01-000	EA	Plate - Tilt and Turn Chair
	035036-02-000	EA	Base - Tilt and Turn Chair w/ Holes in Legs

CURTAIN, CUSHION AND PAD GROUP (CONTINUED)

BUCKET SEATS, ARMRESTS AND HEADRESTS

Key	Part Number	U/M	Description
	042272-04-000	EA	Seat Asm - Single Bucket - w/Skirt - w/o Slides, Armrest or Headrest - Citrus Green
	042272-05-000	EA	Seat Asm. - Single Bucket - w/Skirt - w/o Slides, Armrest or Headrest - Aztec Gold
	042272-06-000	EA	Seat Asm - Single Bucket - w/Skirt - w/o Slides, Armrest or Headrest - Autumn Rust
	042272-04-001	EA	Cover - Single Bucket Seat - Bottom - Citrus Green
	042272-05-001	EA	Cover - Single Bucket Seat - Bottom - Aztec Gold
	042272-06-001	EA	Cover - Single Bucket Seat - Bottom - Autumn Rust
	042272-04-002	EA	Cover - Single Bucket Seat - Back - Citrus Green
	042272-05-002	EA	Cover - Single Bucket Seat - Back - Aztec Gold
	042272-06-002	EA	Cover - Single Bucket Seat - Back - Autumn Rust
	042426-04-000	EA	Skirt - Single Bucket Seat - Citrus Green
	042426-05-000	EA	Skirt - Single Bucket Seat - Aztec Gold
	042426-06-000	EA	Skirt - Single Bucket Seat - Autumn Rust
	042274-04-000	EA	Seat Asm. - Double Bucket - w/Skirt w/o Armrest or Headrest - Citrus Green
	042274-05-000	EA	Seat Asm. - Double Bucket - w/Skirt w/o Armrest or Headrest - Aztec Gold
	042274-06-000	EA	Seat Asm. - Double Bucket - w/Skirt w/o Armrest or Headrest - Autumn Rust
	042274-04-001	EA	Cover - Double Bucket Seat - Bottom - Citrus Green
	042274-05-001	EA	Cover - Double Bucket Seat - Bottom - Aztec Gold
	042274-06-001	EA	Cover - Double Bucket Seat - Bottom - Autumn Rust
	042274-04-002	EA	Cover - Double Bucket Seat - Back - Citrus Green
	042274-05-002	EA	Cover - Double Bucket Seat - Back - Aztec Gold
	042274-06-002	EA	Cover - Double Bucket Seat - Back - Autumn Rust
	042427-04-000	EA	Skirt - Double Bucket Seat - Citrus Green
	042427-05-000	EA	Skirt - Double Bucket Seat - Aztec Gold
	042427-06-000	EA	Skirt - Double Bucket Seat - Autumn Rust
	029136-01-000	EA	Grommet - Headrest - Brown Nylon
	031133-01-000	EA	Protector - Driver Seat - 6" Brown Plastic
	040494-01-000	EA	Armrest Asm - Foam w/o Cover - Right - Style #1
	040494-02-000	EA	Armrest Asm - Foam w/o Cover - Left - Style #1
	040492-06-006	EA	Armrest Cover - Citrus Green
	040492-07-007	EA	Armrest Cover - Aztec Gold
	040492-08-008	EA	Armrest Cover - Autumn Rust
	033905-12-000	EA	Headrest Asm. - Citrus Green
	033905-13-000	EA	Headrest Asm. - Aztec Gold
	033905-14-000	EA	Headrest Asm. - Autumn Rust
	050275-01-700	EA	Armrest Asm. - Foam w/o Cover - Right - Style #2
	050276-01-700	EA	Armrest Asm. - Foam w/o Cover - Left - Style #2

NOTE:

A production change was made in the armrest. When ordering, you must first determine which style is required. Measure up ten inches from the bottom of the seat frame. If you feel (through the upholstery) a collar protruding outward approximately 1/2", you should order style two. Order style one if no protrusion is noted.

**1976 WINNEBAGO
TABLE OF CONTENTS**

MW25C	A-1 - B-10
MW25CD	B-11 - C-18
MW20RG	C-19 - D-24
MW23RB	E-1 - F-8
MW23RD	F-9 - G-16
D23C	G-17 - I-6
D26CRB	I-7 - J-20
D26CRK	J-21 - L-10

**1976 D26CRK
INDEX**

Floor Plan	J-21 - J-22
Accessories Group	J-23 - J-24
Bath Group	K-1
Chassis Group	K-2 - K-3
Curtain, Cushion & Pad Group	K-4 - K-7
Dinette Group	K-8
Driver's Compartment Group	K-9 - K-10
Electrical Group	K-11 - K-12
Exterior Body Group	K-13 - K-16
Galley Group	K-17
Heating & Air Conditioning Group	K-18
Interior Finish Group	K-19 - K-20
LP Group	K-21
Lounge Group	K-21
Water & Sewage Group	K-22
Window, Vent & Exterior Door Group	K-23 - K-24
	L-1 - L-10

CURTAIN, CUSHION AND PAD GROUP (CONTINUED)

DINETTE CUSHIONS

Key	Part Number	U/M	Description
	041910-01-000	EA	Cushion - Waterfall - 5" x 14" x 38" - Green
	041910-02-000	EA	Cushion - Waterfall - 5" x 14" x 38" - Gold
	041910-03-000	EA	Cushion - Waterfall - 5" x 14" x 38" - Rust
	041910-01-001	EA	Cover - Cushion - Waterfall - 5" x 14" x 38" - Green
	041910-02-002	EA	Cover - Cushion - Waterfall - 5" x 14" x 38" - Gold
	041910-03-003	EA	Cover - Cushion - Waterfall - 5" x 14" x 38" - Rust
	041910-07-000	EA	Cushion - Waterfall - 5" x 24" x 38" - Green
	041910-08-000	EA	Cushion - Waterfall - 5" x 24" x 38" - Gold
	041910-09-000	EA	Cushion - Waterfall - 5" x 24" x 38" - Rust
	041910-07-067	EA	Cover - Cushion - Waterfall - 5" x 24" x 38" - Green
	041910-08-068	EA	Cover - Cushion - Waterfall - 5" x 24" x 38" - Gold
	041910-09-069	EA	Cover - Cushion - Waterfall - 5" x 24" x 38" - Rust

FABRICS AND TRIMS

Key	Part Number	U/M	Description
	047855-01-000	EA	Fabric - Upholstery - Citrus Green
	047855-02-000	YD	Fabric - Upholstery - Aztec Gold
	046743-03-000	YD	Fabric - Upholstery - Autumn Rust
	042411-01-000	YD	Vinyl - Nonexpanded - 27 Ounce - Bostonian Brown Berkshire
	042411-02-000	YD	Vinyl - Expanded - 28 Ounce Bostonian Brown Berkshire
	042411-03-000	YD	Vinyl - Nonsupported - 16 Gauge - Bostonian Brown Berkshire
	042414-01-000	FT	Trim Accent - Bostonian Brown Vinyl
	041209-01-000	YD	Fabric - Drapery - Citrus Green
	041209-02-000	YD	Fabric - Drapery - Aztec Gold
	041209-03-000	YD	Fabric - Drapery - Autumn Rust
	023631-05-000	EA	Button - Bostonian Berkshire

PADS

Key	Part Number	U/M	Description
	023485-09-000	EA	Pad Asm - Dinette Frame - Boston Berkshire
	042945-03-000	EA	Pad Asm - A Post - Right
	042945-04-000	EA	Pad Asm - A Post - Left

DINETTE GROUP

Key	Part Number	U/M	Description
	043529-01-700	EA	Table Asm - Dinette w/o Hardware - Green (Citrus)
	043529-02-700	EA	Table Asm - Dinette w/o Hardware - Gold (Aztec)
	043529-03-700	EA	Table Asm - Dinette w/o Hardware - Rust (Autumn)
	047842-01-000	EA	Kit - Dinette Table Leg Hardware - Brown
	047800-01-000	EA	Kit - Dinette Table - Wall Mounting Hardware
	042103-01-000	EA	Cabinet Asm - Dinette Overhead w/o Doors or Hardware
	042600-01-700	EA	Door Asm - Dinette Overhead - 26" x 11 81" w/o Hardware
	042097-01-000	EA	Countertop Asm - Rear Shelf - Green (Citrus)
	042097-02-000	EA	Countertop Asm - Rear Shelf - Gold (Aztec)
	042097-03-000	EA	Countertop Asm - Rear Shelf - Rust (Autumn)
	042104-01-000	EA	Cabinet Asm - Front Dinette Seat - Back
	042105-01-000	EA	Cabinet Asm - Front Dinette Seat - Bottom
	042106-01-000	EA	Cabinet Asm - Rear Dinette Seat - Bottom
	042107-01-000	EA	Cabinet Asm - Rear Dinette Seat - Back

**1976 WINNEBAGO
TABLE OF CONTENTS**

MW25C	A-1 - B-10
MW25CD	B-11 - C-18
MW20RG	C-19 - D-24
MW23RB	E-1 - F-8
MW23RD	F-9 - G-16
D23C	G-17 - I-6
D26CRB	I-7 - J-20
D26CRK	J-21 - L-10

**1976 D26CRK
INDEX**

Floor Plan	J-21 - J-22
Accessories Group	J-23 - J-24
Bath Group	K-1
Chassis Group	K-2 - K-3
Curtain, Cushion & Pad Group	K-4 - K-7
Dinette Group	K-8
Driver's Compartment Group	K-9 - K-10
Electrical Group	K-11 - K-12
Exterior Body Group	K-13 - K-16
Galley Group	K-17
Heating & Air Conditioning Group	K-18
Interior Finish Group	K-19 - K-20
LP Group	K-21
Lounge Group	K-21
Water & Sewage Group	K-22
W.P.W. Vent & Exterior Door Group	K-23 - K-24
	L-1 - L-10

DRIVER'S COMPARTMENT GROUP

BUCKET SEAT PEDESTAL AND SEAT BELT

Key	Part Number	U/M	Description
	007019-01-000	EA	Belt Asm - Seat - 2" x 84" - Black
	041322-01-000	EA	Washer - Flat - 15/32" I.D. 2 3/8" O.D. - Seat Belt
	041459-01-000	EA	Pedestal Top - Single Seat
	041460-01-000	EA	Pedestal - Top - Double Seat
	041654-01-000	EA	Pedestal Base - Single and Double - w/Tightener
	038832-01-000	EA	Rod - Seat Adjuster
	007223-01-000	EA	Adjuster Asm. - Seat w/Lock
	007227-01-000	EA	Adjuster Asm. - Seat w/o Lock

DASH PANEL AND COMPONENTS

Key	Part Number	U/M	Description
	031623-07-000	EA	Dash Asm. - Chieftain - Complete w/Gauges and Switches
	022548-03-000	EA	Pad - Dash - Foam - Right - Dark Brown
	023242-05-000	EA	Pad - Dash - Foam - Left - Dark Brown
	022219-01-000	EA	Door - Glove Compartment
	009118-01-000	EA	Lock - Twist w/Nut
	023892-01-000	EA	Box - Glove Compartment - Black Fiberboard
	009066-01-000	EA	Hinge - Continuous - Alum 11/16" x 72" - Plain
	034309-01-000	EA	Chain - Bead - Glove Box Door
	023834-01-000	EA	Panel - Knee Kick - (Bottom of Dash)
	024418-01-000	EA	Lamp Asm. - Map Gauge
	007308-01-000	EA	Clock - Dash
	007037-01-000	EA	Lighter Asm. - Cigarette - 12 Volt
	007041-01-000	EA	Bezel - Cigarette Lighter
	024979-01-000	EA	Bezel - Entertainment Center
	007071-01-000	EA	Louver - Chrome - w/Chrome Wheel
	022547-01-000	EA	Bezel - Panel - Control
	023020-01-000	EA	Lamp Asm. - Tell Tale
	039044-01-000	EA	Louver Asm. - A/C Adjustable
	040636-01-000	EA	Bracket Asm. - Shift Lever
	042961-01-000	EA	Nameplate - Chieftain - Brown/Silver

DASH SWITCHES AND GAUGES

Key	Part Number	U/M	Description
	024907-01-000	EA	Control Asm. - Heater - A/C - 3 Speed
	024461-01-000	EA	Switch - Battery
	024463-01-000	EA	Switch - Blinker
	024464-01-000	EA	Switch - Washer
	024465-01-000	EA	Switch - Fuel
	024467-01-000	EA	Switch - Wiper
	024459-01-000	EA	Gauge Asm. - Voltmeter
	024460-01-000	EA	Gauge - Vacuum Dash
	024462-01-000	EA	Switch - Battery Condition
	031035-01-000	EA	Gauge - Hourmeter - Generator
	024976-01-000	EA	Switch - Generator w/o Circuit Board
	037387-01-000	EA	Switch - Generator w/Circuit Board
	024990-02-000	EA	Outlet - Defroster - w/Swivel - 2" - Dark Brown
	031376-01-000	EA	Heater - Control Asm. - 2 Speed

DRIVER'S COMPARTMENT GROUP (CONTINUED)

MISCELLANEOUS DRIVER'S COMPARTMENT COMPONENTS

Key	Part Number	U/M	Description
	043219-01-000	EA	Bunk - Front - Overhead - (Board w/Rails)
	042988-01-000	EA	Support Asm. - Left and Right - Overhead Bunk - Dark Brown
	040071-01-700	EA	Support Kit - Overhead Bunk - Seat Belt
	006076-01-000	EA	Ladder - Bunk
	042090-01-700	EA	Cabinet - Front Overhead w/o Doors or Hardware
	009148-01-000	EA	Full - Finger - 3/4" Brass (Sliding Cabinet Door)
	009785-01-000	FT	Track - Sliding Door - Upper - Dark Brown Plastic
	009786-01-000	FT	Track - Sliding - Lower - Dark Brown Plastic
	042964-02-000	EA	Door Asm. Sliding - Front Overhead Bunk Cabinet

FRONT BUNK, CABINET AND HARDWARE

Key	Part Number	U/M	Description
	048583-01-000	EA	Tray - Beverage
	048670-01-000	EA	Track Asm. - Beverage (2 per tray)
	024800-01-000	EA	Cover - Motor - Plastic
	039357-01-000	EA	Latch - Rubber - Draw Handle - 5 3/4" w/Strike (Motor Cover)
	039856-01-000	EA	Latch - Rubber - Draw Handle - 3" w/Strike (Motor Cover)
	035368-02-000	EA	Seal - Motor Cover - (Aluminum Extr.)
	040519-01-000	EA	Boot - Rubber - Steering Column
	040520-01-000	EA	Boot - Retainer - Steering Column
	024990-01-000	EA	Support - Dimmer Switch
	022758-04-000	EA	Sunvisor Asm. - Right Bostonian
	022759-06-000	EA	Sunvisor Asm. - Left Bostonian
	041842-01-000	EA	Clip - Sunvisor Rod - Brown Plastic
	009143-01-000	EA	Mirror - Sunvisor
	007278-01-000	EA	Mirror - Rear View
	036414-01-000	EA	Ashtray
	044699-01-000	EA	Panel - Side - Interior - Left - Plastic
	044700-01-000	EA	Panel - Side - Interior - Right - Plastic

1976 WINNEBAGO TABLE OF CONTENTS

MW25C	A-1 - B-10
MW25CD	B-11 - C-18
MW20RG	C-19 - D-24
MW23RB	E-1 - F-8
MW23RD	F-9 - G-16
D23C	G-17 - I-6
D26CRB	I-7 - J-20
D26CRK	J-21 - L-10

1976 D26CRK INDEX

Floor Plan	J-21 - J-22
Accessories Group	J-23 - J-24
Bath Group	K-1
Chassis Group	K-2 - K-3
Curtain, Cushion & Pad Group	K-4 - K-7
Dineite Group	K-8
Driver's Compartment Group	K-9 - K-10
Electrical Group	K-11 - K-12
Exterior Body Group	K-13 - K-16
Galley Group	K-17
Heating & Air Conditioning Group	K-18
Interior Finish Group	K-19 - K-20
LP Group	K-21
Lounge Group	K-21
Water & Sewage Group	K-22
Window, Vent & Exterior Door Group	K-23 - K-24
	L-1 - L-10

ELECTRICAL GROUP

BULBS

Key	Part Number	U/M	Description
	037935-01-000	EA	Bulb - 1157
	038010-01-000	EA	Bulb - 1143
	008103-01-000	EA	Bulb - 53
	008213-01-000	EA	Bulb - 57
	008214-01-000	EA	Bulb - 67
	008215-01-000	EA	Bulb - 1003
	008216-01-000	EA	Bulb - 1034
	008217-01-000	EA	Bulb - 1073
	008218-01-000	EA	Bulb - 1141
	008219-01-000	EA	Bulb - 655
	008220-01-000	EA	Bulb - 12V - 25W
	036196-01-000	EA	Bulb - 194
	700020-01-000	EA	Bulb - 12V - 20W - 1383

EXTERIOR LIGHTS

Key	Part Number	U/M	Description
	031054-02-000	EA	Lamp Asm - Tail - Left - Beige
	031055-02-000	EA	Lamp Asm - Tail - Right - Beige
	039865-01-000	EA	Clearance Light - Round - Red
	039866-01-000	EA	Clearance Light - Round - Amber
	033748-01-000	EA	Light - Clearance - Oval - Amber
	033746-02-000	EA	Light - Clearance - Oval - Red

INTERIOR LIGHTS

Key	Part Number	U/M	Description
	024418-01-000	EA	Lamp Asm - Map Gauge/Aisle
	024473-01-000	EA	Light - Aircraft - 1 Bulb - Gold
	033503-01-000	EA	Light - Dome - Ivory - 1 Bulb
	024642-01-701	EA	Lens - Dome - Light - 1 Bulb
	033509-01-000	EA	Light - Dome - Ivory - 2 Bulb
	024643-01-701	EA	Lens - Dome Light - 2 Bulb

FUSES AND CIRCUIT BREAKERS

Key	Part Number	U/M	Description
	008233-01-000	EA	Fuse - 12 Volt - 6 Amp
	008234-01-000	EA	Fuse - 12 Volt - 10 Amp
	008235-01-000	EA	Fuse - 12 Volt - 15 Amp
	008236-01-000	EA	Fuse - 12 Volt - 20 Amp
	008248-01-000	EA	Fuse - 110 Volt - 30 Amp - AGU
	008252-01-000	EA	Fuse - 110 Volt - 50 Amp
	008208-01-000	EA	Circuit Breaker - 12 Volt - 40 Amp
	008211-01-000	EA	Circuit Breaker - 12 Volt - 6 Amp
	008268-01-000	EA	Circuit Breaker - 12 Volt - 30 Amp w/ Mount
	033573-01-000	EA	Circuit Breaker - 12 Volt - 20 Amp w/ Mount
	040051-01-000	EA	Circuit Breaker - 110 Volt - 20 Amp - TOL

ELECTRICAL GROUP (CONTINUED)

WINDSHIELD WIPER AND WASHER

Key	Part Number	U/M	Description
	037029-01-000	EA	Washer - Electric - Windshield
	037997-01-000	EA	Arm - Windshield Wiper - 15"
	037998-01-000	EA	Link Asm - Connecting - 22.40" Long
	037999-01-000	EA	Motor Asm - Windshield Wiper
	038000-01-000	EA	Blade - Windshield Wiper - 16"
	038001-01-000	EA	Shaft and Pivot Asm. - 2 25" Arm
	700073-05-000	EA	Pump and Cover Asm. - Windshield Washer
	700073-04-000	EA	Reservoir Only - Water - Windshield Washer
	700073-02-000	EA	Washer Nozzle Hardware Package

WIRE, SWITCHES, AND RECEPTACLES

Key	Part Number	U/M	Description
	008024-01-000	FT	Wire - 18.5 Bonded - Orange/White/Yellow/Blue/Brown
	008025-01-000	FT	Wire - 18.5 Bonded - Orange/White/Yellow/Blue/Green
	008028-01-000	FT	Wire - 18.5 Bonded - Blue/Red/Yellow/Orange/White
	008030-01-000	FT	Wire - 18.4 Bonded
	008251-01-000	EA	Holder - Fuse - Black - Screw Type
	008277-01-000	EA	Holder - Fuse - Black - Panel Mount
	008195-01-000	EA	Switch - Push Button - 12 Volt
	008077-01-000	EA	Plaque - Compressor Switch
	008054-01-000	EA	Cord - Power - 10-3 30 Amp - 25' - UL
	034818-04-000	EA	Holder - Receptacle - Plastic
	039338-01-000	EA	Cover Plate - Receptacle - Plastic - Brown
	039342-01-000	EA	Receptacle - Duplex Brown - T Junction
	024571-01-000	EA	Cover Plate - Receptacle - Jumbo Steel Brown
	039343-01-000	EA	Cap - End - Receptacle
	008162-01-000	EA	Switch - Double Toggle - Spade Brown
	008163-01-000	EA	Switch - Toggle Brown
	008164-01-000	EA	Cover Plate - Switch - Brown
	024924-01-000	EA	Receptacle - Power Cord
	008059-01-000	EA	Adaptor - Power Cord
	047353-01-000	EA	Cover - Receptacle - Ground Fault
	047351-01-000	EA	Receptacle - Ground Fault Interrupter - 125 Volt. Black

MISCELLANEOUS ELECTRICAL COMPONENTS

Key	Part Number	U/M	Description
	047338-01-000	EA	Isolator - Dual Battery
	047389-01-700	EA	Battery - 12 Volt - 105 Amp Deep Cycle - Dry
	008188-01-000	EA	Solenoid - Dual Battery - Relay
	046775-01-000	EA	Valve - Gas - Change Over
	039950-02-000	EA	Control Center - 30 Amp w/Door - UL
	024417-01-000	EA	Panel - Control - Water Double Sewage - Wemac
	039861-01-000	EA	Sending Unit Kit - Wemac
	024459-01-000	EA	Gauge - Voltmeter
	024462-01-000	EA	Switch - Battery Condition
	031035-01-000	EA	Gauge - Hour Meter - Generator
	024976-01-000	EA	Switch - Generator w/o Circuit Board
	024460-01-000	EA	Gauge - Vacuum

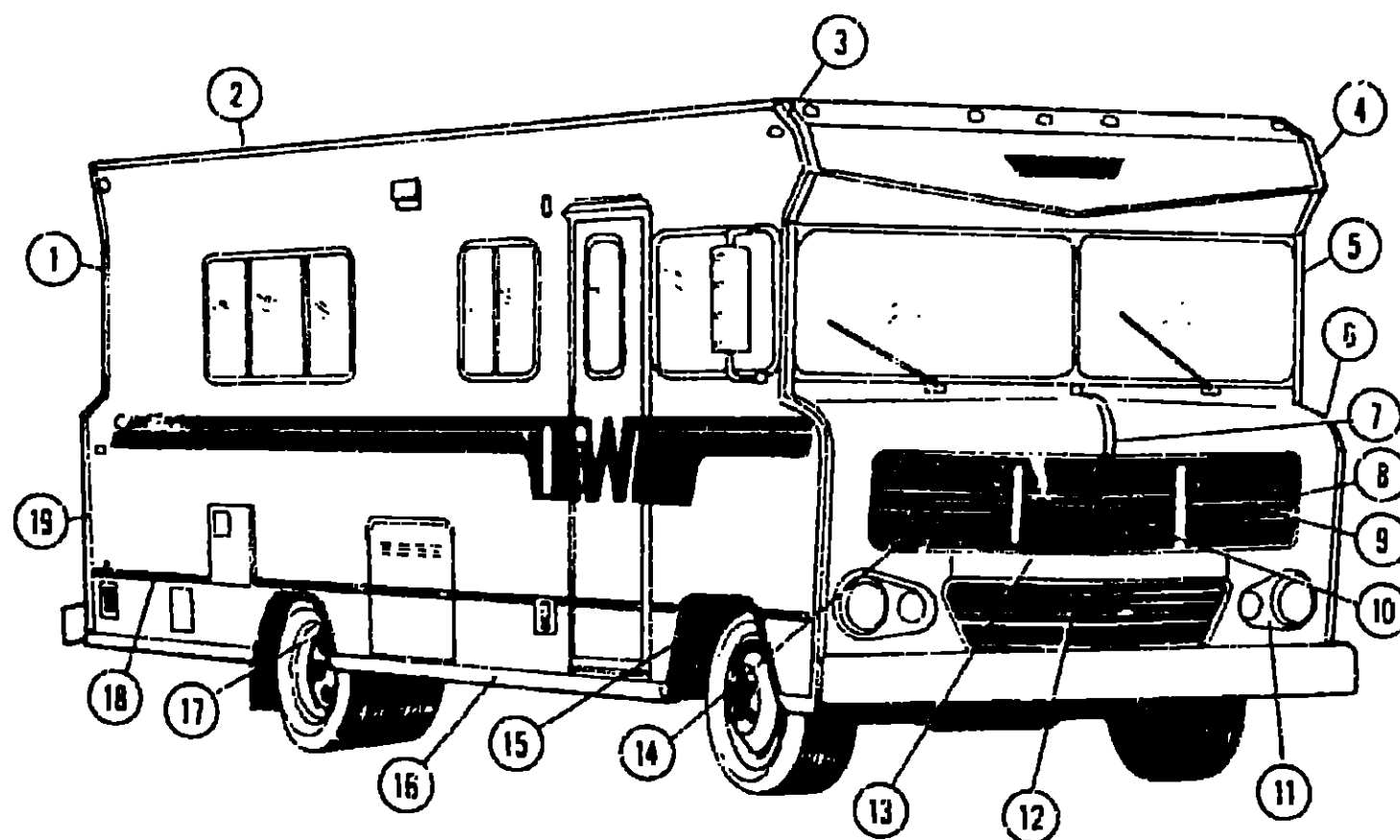
1976 WINNEBAGO TABLE OF CONTENTS

MW25C	A-1 - B-10
MW25CD	B-11 - C-18
MW20RG	C-19 - D-24
MW23RB	E-1 - F-8
MW23RD	F-9 - G-16
D23C	G-17 - I-6
D26CRB	I-7 - J-20
D26CRK	J-21 - L-10

1976 D26CRK INDEX

Floor Plan	J-21 - J-22
Accessories Group	J-23 - J-24
Bath Group	K-1
Chassis Group	K-2 - K-3
Curtain, Cushion & Pad Group	K-4 - K-7
Dinette Group	K-8
Driver's Compartment Group	K-9 - K-10
Electrical Group	K-11 - K-12
Exterior Body Group	K-13 - K-16
Galley Group	K-17
Heating & Air Conditioning Group	K-18
Interior Finish Group	K-19 - K-20
LP Group	K-21
Lounge Group	K-21
Water & Sewage Group	K-22
Window, Vent & Exterior Door Group	K-23 - K-24
	L-1 - L-10

EXTERIOR BODY GROUP



1976 WINNEBAGO TABLE OF CONTENTS

MW25C
MW25CD
MW20RG
MW23RE
MW23RD
D23C
D26CRE
D26CRK

A-1 - B-10
B-11 - C-18
C-19 - D-24
E-1 - F-8
F-9 - G-16
G-17 - I-5
I-7 - J-20
J-21 - L-10

Key	Part Number	U/M	Description
1	021213-03-000	EA	Trim Contour - Right Rear Upper - Beige
2	020965-03-000	EA	Trim - Contour - Left Rear Upper - Beige
3	044771-01-000	EA	Extr Awning Rail w/Holes - 16' - Beige
4	044770-01-000	EA	Extr Drip Rail w/Holes - 15' Beige
5	042801-03-000	EA	Trim - Contour - Right Front Upper - Beige
6	042891-01-000	EA	Trim - Contour - Left Front Upper - Beige
7	042894-01-000	EA	Trim - Contour - Windshield - Left - Black
8	042894-03-000	EA	Trim - Contour - Windshield - Right - Black
9	042730-01-000	EA	Trim - Contour - Left Front Lower - Beige
10	042730-03-000	EA	Trim - Contour - Right Front Lower - Beige
11	024581-05-000	EA	Trim - Center - Front - Wall - Beige
12	024763-01-000	EA	Trim - Anod Upper Grille - Side - Left or Right
13	024764-01-000	EA	Trim - Anod - Upper Grille - Center Top
14	062754-02-001	EA	Extr Anod Angle - 3/4" x 3/4" x 18" - (Grille)
15	033365-01-000	EA	Grille Asm - Left - Upper
16	033366-01-000	EA	Grille Asm - Center - Upper
17	021497-01-000	EA	Latch Asm - Center Grille
18	024585-01-000	EA	Stop Asm - Upper Grille
19	045711-02-000	EA	Bezel - Headlight - Left
	046711-01-000	EA	Bezel - Headlight - Right

Key	Part Number	U/M	Description
12	033368-01-000	EA	Grille Asm - Lower
13	048542-01-000	EA	Center Asm - Grille - Between Top and Bottom Grille w/Beige Insert
14	040876-01-000	EA	Grille Asm - Upper Right
15	042467-01-000	EA	Trim - Wheel Well - Front - Left or Right
16	036908-02-001	EA	Extr Anod. Rocker Panel - 18'
17	040420-01-000	EA	Cap - Rocker Panel - End - 3/4 Miter - Right
18	040420-02-000	EA	Cap - Rocker Panel - End - 3/4 Miter - Left
19	042466-01-000	EA	Trim - Wheel - Well - Rear - Left or Right
	002444-02-003	EA	Extr - Anod - Feature Strip - 16' w/o Insert
	001030-04-002	EA	Insert - Feature Strip - 13 16" x 17" - Antique Bronze Metallic
	009731-01-000	EA	End Cap - Feature Strip
	015251-04-006	EA	Trim - Contour - Right Rear Lower - Beige
	015252-04-000	EA	Trim - Contour - Left Rear Lower - Beige
	002365-02-001	EA	Extr - U-Channel - 1" Serrated - 18' (Lower Backwall Trim)
	042921-01-000	EA	Hoodboard - Front Right - Beige
	042921-02-000	EA	Hoodboard - Front - Left - Beige
			Not Illustrated

1976 D26CRK INDEX

Floor Plan	J-21 - J-22
Accessories Group	J-23 - J-24
Bath Group	K-1
Chassis Group	K-2 - K-3
Curtain, Cushion & Pad Group	K-4 - K-7
Dinette Group	K-8
Driver's Compartment Group	K-9 - K-10
Electrical Group	K-11 - K-12
Exterior Body Group	K-13 - K-16
Galley Group	K-17
Heating & Air Conditioning Group	K-18
Interior Finish Group	K-19 - K-20
LP Group	K-21
Lounge Group	K-21
Water & Sewage Group	K-22
Window, Vert & Exterior Door Group	K-23 - K-24
	L-1 - L-10

EXTERIOR BODY GROUP (CONTINUED)

EXTERIOR BODY PANELS AND SHEET ALUMINUM

Key	Part Number	U/M	Description
	041390-01-000	EA	Roof Asm.
	041390-01-700	EA	Roof Section - Windshield to First Seam
	041505-01-000	EA	Backwall Asm
	041441-01-000	EA	Sidewall Asm - Left
	041424-01-000	EA	Sidewall Asm - Right
	039155-02-008	EA	Alum. Beige Mesa Design - 024" x 36" x 60"
	039155-02-002	EA	Alum. Beige Mesa Design - 024" x 36" x 300"
	039155-02-003	EA	Alum. Beige Mesa Design - 024" x 36" x 360"
	039155-02-007	EA	Alum. Beige Mesa Design - 024" x 48" x 60"
	039155-02-005	EA	Alum. Beige Mesa Design - 024" x 48" x 300"
	039155-02-006	EA	Alum. Beige Mesa Design - 024" x 48" x 360"
	039155-02-009	EA	Alum. Beige Mesa Design - 024" x 12" x 360"
	044487-01-001	EA	Alum. Mill Finish - No Design (Roof) - 96" x 360"
	028545-01-000	EA	Alum. - Beige Greyhound Design - 48" x 96"
	001018-01-024	EA	Alum. - Beige - No Design - 48" x 96"
	000568-01-000	BF	Styrofoam - 3/4" x 24" x 96"

EXTERIOR PAINT

Key	Part Number	U/M	Description
	044486-01-000	EA	Paint - Beige Acrylic Enamel - 1 Gallon
	044486-03-000	EA	Paint - Beige - Acrylic Enamel - 16 Oz. Aerosol
	044486-04-000	EA	Paint - Beige - Acrylic Lacquer - 1 Gallon
	041567-01-000	EA	Paint - Rally Gold - Acrylic Enamel - 1 Gallon (Lower Stripe)
	041567-03-000	EA	Paint - Rally Gold - Acrylic Enamel - 16 Oz. Aerosol (Lower Stripe)
	041568-01-000	EA	Paint - Antique Bronze Metallic - Acrylic Enamel - 1 Gallon (Upper Stripe)
	041568-03-000	EA	Paint - Antique Bronze Metallic - Acrylic Enamel - 16 Oz. Aerosol (Upper Stripe)
	045581-01-000	EA	Paint - High Gloss Black - Acrylic Enamel - 1 Gallon
	045681-03-000	EA	Paint - High Gloss Black - Acrylic Enamel - 16 Oz. Aerosol

LABELS AND DECALS

Key	Part Number	U/M	Description
	005010-01-000	EA	Decal - Winnebago - Brown/Chrome
	006023-01-000	EA	Label - Water Only
	006025-01-000	EA	Label - Gas
	006028-01-000	EA	Label - Drain Cap - 2" x 3"
	006031-01-000	EA	Label - Potable Water Only
	006167-01-000	EA	Label - Sewage
	006168-01-000	EA	Label - Waste Water
	006199-01-000	EA	Label - Exit - Escape Window
	031161-01-000	EA	Label - Flying "W"
	038403-01-000	EA	Decal - Logo - Winnebago 2 3/4" (Front or Rear)
	039289-01-000	EA	Label - Warning Aux. Loading
	043473-03-000	EA	Decal - Flying "W" - 13 7/8" High - Bronze
	045374-01-000	EA	Stencil - Chieftain - 2 28" High - Right
	045374-02-000	EA	Stencil - Chieftain - 2 28" High - Left
	006092-01-000	EA	Reflector - Stick on - Rectangular - Red
	006093-01-000	EA	Reflector - Stick on - Rectangular - Amber

EXTERIOR BODY GROUP (CONTINUED)

SEALANTS, ADHESIVES, AND FASTENERS

Key	Part Number	U/M	Description
	034552-05-000	EA	Sealant - Off White Silicone
	034552-04-000	EA	Sealant - Beige Silicone
	034552-02-000	EA	Sealant - Clear Silicone
	004346-02-000	EA	Sealant - Aluminum Silicone
	004349-01-000	EA	Sealant - Black Silicone
	004342-01-000	EA	Sealant - Weatherban 202 Tube
	004346-02-000	EA	Sealant - White Silicone
	004347-01-000	EA	Sealant - Tufflex
	002316-01-000	FT	Tape - Sealer - 3 3/2" x 1/8"
	024545-01-000	FT	Tape - Sealer - 1 8" x 5 8" - Black
	004350-01-000	FT	Tape - Sealer - 1 8" x 1" - Formaseal
	004352-01-000	FT	Tape - Sealer - 1 8" x 3/4" - Formaseal
	004355-01-000	FT	Tape - Sealer - 1/8" x 5 8" - Black
	004357-01-000	FT	Tape - Sealer - 1/8" x 5 8" - Adhesive
	002707-02-000	FT	Tape - Sealer - 5 1/2" x 1/2" - Black Foam
	002707-01-000	FT	Tape - Sealer - 5 1/2" x 3/4" - Black Foam
	004363-01-000	FT	Sealer Tape - 3 1/2" x 1/2" - Foam
	004362-01-000	FT	Tape Sealer - 1/8" x 5/8" - Foam
	009200-01-000	EA	Tape - Furnace - 7 1/2"
	041339-01-000	FT	Tape - Window - Latch 3 4" - Adhesive
	041839-02-000	FT	Tape - Window - Latch - 1 2" - Adhesive
	004353-01-000	FT	Tape - Gasket - 1 3/4" x 3/4" - White
	002825-01-000	FT	Weather Stripping - Roof Vent
	002337-01-000	EA	Adhesive - 3M - 1300 Tube
	004005-01-000	GL	Adhesive - Swifts - Green - Glue (Sidewalls)
	004012-01-000	EA	Adhesive - 3M - 4475 Tube
	004020-01-000	OT	Adhesive - ABS Cement (Plastic Fittings)
	029051-01-000	EA	Adhesive - Spray Vinyl
	005081-01-000	EA	Screw - Wood - 12 - 11 x 3" P O H Zinc

MISCELLANEOUS EXTERNALLY MOUNTED PARTS

Key	Part Number	U/M	Description
	016253-01-000	EA	Fuel Fill - Recessed - Single - Beige
	015587-05-000	EA	Fuel Fill - Recessed - Double - Beige
	011124-01-000	EA	Plumbing Seal - Roof Vent - 1 1/4" White
	011129-01-000	EA	Plumbing Seal - Roof Vent - 1 1/2" White
	010230-02-000	EA	Fill - City Water - Recessed - Off White
	011020-01-000	EA	Fill - Water - Recessed - Off White
	009126-01-000	EA	Handle - Assist - Metal - Exterior
	022400-01-000	EA	Mirror - Outside w Convex Stainless Steel
	700023-04-000	EA	Mirror - Convex - 6" x 4"

1976 WINNEBAGO TABLE OF CONTENTS

MW25C	A-1 - B-10
MW25CD	B-11 - C-18
MW20RG	C-19 - D-24
MW23RB	E-1 - F-8
MW23RD	F-9 - G-16
D23C	G-17 - I-6
D26CRB	I-7 - J-20
D26CRK	J-21 - L-10

1976 D26CRK INDEX

Floor Plan	J-21 - J-22
Accessories Group	J-23 - J-24
Bath Group	K-1
Chassis Group	K-2 - K-3
Curtain, Cushion & Pad Group	K-4 - K-7
Dinette Group	K-8
Driver's Compartment Group	K-9 - K-10
Electrical Group	K-11 - K-12
Exterior Body Group	K-13 - K-16
Galley Group	K-17
Heating & Air Conditioning Group	K-18
Interior Finish Group	K-19 - K-20
LP Group	K-21
Lounge Group	K-21
Water & Sewage Group	K-22
Window, Vent & Exterior Door Group	K-23 - K-24
	L-1 - L-10

GALLEY GROUP

GALLEY CABINETRY

Key	Part Number	U/M	Description
	042101-01-701	EA	Cabinet Asm. - Galley w/o Countertop, Drawers, Doors or Hardware
	042101-01-703	EA	Countertop Asm - Galley Cabinet - Green (Citrus)
	042101-02-700	EA	Countertop Asm - Galley Cabinet - Gold (Aztec)
	042101-03-700	EA	Countertop Asm - Galley Cabinet - Rust (Autumn)
	042602-06-700	EA	Door Asm - Galley Cabinet - 10 1/8" x 16" - Left or Right - w/o Hardware
	042709-01-700	EA	Drawer Asm - Cabinet - Notch up - 5 25" x 14 12" w/o Hardware
	042838-01-700	EA	Drawer Asm. - Tiltout - w/n Hardware
	042820-02-000	EA	Bread Board Asm - Green (Citrus)
	042820-04-000	EA	Bread Board Asm - Gold (Aztec)
	042820-05-000	EA	Bread Board Asm - Rust (Autumn)
	042489-01-000	EA	Rack Asm. - Spice - 8" x 27"
	044830-01-000	EA	Sink Cover Asm - Large - Green (Citrus)
	044830-02-000	EA	Sink Cover Asm - Large - Gold (Aztec)
	044830-04-000	EA	Sink Cover Asm - Large - Rust (Autumn)
	042602-41-700	EA	Door Asm - Refrigerator Cabinet - 22 5" x 17 5" w/o Hardware
	042098-01-000	EA	Cabinet Asm. - Galley Overhead w/o Doors or Hardware
	042600-01-700	EA	Door Asm - Galley Overhead - 26" x 11 01" w/o Hardware
	042095-01-000	EA	Cabinet Asm - Rear Overhead w/o Doors or Hardware

GALLEY HARDWARE AND APPLIANCES

Key	Part Number	U/M	Description
	011032-01-000	EA	Sink - Double - Stainless Steel w/Bolts
	011053-01-000	EA	Faucet - 8" Swing Spout w/Aerator
	011053-01-700	EA	Aerator - Swing Spout Faucet
	011085-01-000	EA	Strainer - Sink
	003213-02-000	EA	Vent - Stove Hood - Outside - w/o Damper - Beige
	024669-01-000	EA	Range Hood - Eye Level - Brushed Chrome - Strawsine
	042153-01-000	EA	Spacer - Eye Level - Stove Hood
**	046747-01-000	EA	Range - Eye Level - Coleman - 2209F
**	034545-01-000	EA	Refrigerator - AC/Gas - Winnebago - W6EG
**	034544-01-000	EA	Refrigerator - AC/Gas - Winnebago - W7EG
**	034542-01-000	EA	Refrigerator - AC/Gas - Winnebago - W8EG
**	003336-01-000	EA	Refrigerator - AC/Gas - Instamatic - IM6
**	003337-01-000	EA	Refrigerator - AC/Gas - Instamatic - IM7
**	049175-01-000	EA	Refrigerator - AC/Gas - Sibir - ET 150
**	049174-01-000	EA	Refrigerator - AC/Gas - Sibir - ET 230

**The illustrated parts breakdown for this item is provided on the Common Items Fiche

HEATING AND AIR CONDITIONING GROUP

WINNEBAGO AUTOMOTIVE HEATING AND AIR CONDITIONING

Key	Part Number	U/M	Description
	039044-01-000	EA	Louver Asm. - A/C Adjustable
	047046-01-000	EA	Motor - 1/2 Volt - 3 Speed - Heater - Air Conditioner
	031043-01-000	EA	Valve - Heater - Water Flow Control
	031169-01-000	EA	Cable - Control - Flexible - 53"
	031169-02-000	EA	Cable - Control - Flexible - 48"
	031170-01-000	EA	Clamp - Cable 3/16" Dia
	024996-01-000	EA	Clutch - Magnetic - Compressor
	024999-01-000	EA	Compressor - Auto Air - 10 3 Cubic Inch
	048721-01-000	EA	Package - Air Conditioner - Compressor Mount 360 C I D
	033295-01-000	EA	Package - Air Conditioner - Compressor Mount - 440 C I D
	031394-01-000	EA	Condenser - Radiator Mount
	008267-01-000	EA	Switch - Air Conditioner
	024867-01-000	EA	Valve - Thermostatic Expansion
	024997-01-000	EA	Core - Heater
	024998-01-000	EA	Wheel - Blower - 4 72" O D
	031393-01-000	EA	Coil - Evaporator
	033258-01-000	EA	Hose - Refrigerant - 50" I.D x 34.50"
	034222-01-000	EA	Hose - Refrigerant - 31" I.D x 26"
	031960-01-000	EA	Hose - Refrigerant - 34" I.D x 30"
	031961-01-000	EA	Hose - Refrigerant - 31" I.D x 14 75"
	024868-01-000	EA	Receiver - Dehydrator
	03044-01-000	EA	Clamp - Receiver Dehydrator
	031962-01-000	EA	Bracket - Receiver Dehydrator
	031976-01-000	EA	Belt - Drive - 50" I.D. x 54" - 360 C I.D. or 440 C I.D.
	048229-02-000	EA	Kit - Auto Air - 440 C I D - Winnebago
	048229-02-000	EA	Kit - Auto Air - 360 C I D. - A-Body Winnebago

EVANS AUTOMOTIVE HEATING AND AIR CONDITIONING

Key	Part Number	U/M	Description
	033922-01-000	EA	Evaporator - Air Conditioner
	033932-01-000	EA	Valve - Expansion
	033939-01-000	EA	Core - Heater
	035459-01-701	EA	Blower Asm - 3 Speed w/Motor
	033926-01-000	EA	Cold Control
	035459-01-704	EA	Resistor - Evans Heater
	049217-01-000	EA	Switch - Fan - 3 Speed Evans
	033933-01-000	EA	Compressor - Auto Air - Evans
	033855-01-000	EA	Condenser - Radiator Mount - Evans
	033854-01-000	EA	Receiver Drier
	033934-01-000	EA	Clutch - Compressor - Evans
	048229-01-000	EA	Kit - Auto Air - 440 - Evans

FURNACE AND ROOF AIR CONDITIONER

Key	Part Number	U/M	Description
**	041603-01-000	EA	Furnace - 23,000 BTU - Under Counter Mount - 4200 Series - Coleman
**	041604-01-000	EA	Furnace - 28,000 BTU - Under Counter Mount - 4200 Series - Coleman
**	049777-01-000	EA	Air Conditioner - 110 Volt - Roof Mount - 11,000 BTU - Ivory - Coleman (w/o Inside Shroud)
**	049778-01-000	EA	Shroud Asm - Ceiling - Inside - Roof Air - Cool Only - 11,000 BTU - Coleman
**	049774-01-000	EA	Air Conditioner - 110 Volt - Roof Mount - 13,500 BTU - Ivory - Coleman (w/o Inside Shroud)
**	049775-01-000	EA	Shroud Asm - Ceiling - Inside - Roof Air - Cool Only - 13,500 BTU - Coleman
**	049776-01-000	EA	Shroud Asm - Ceiling - Inside - Roof Air - Heat and Cool - 13,500 BTU - Coleman

**The illustrated parts breakdown for this item is provided on the Common Items Fiche

1976 WINNEBAGO TABLE OF CONTENTS

MW25C	A-1 - B-10
MW25CD	B-11 - C-18
MW20RG	C-19 - D-24
MW23RB	E-1 - F-8
MW23RD	F-9 - G-16
D23C	G-17 - I-6
D26CRB	I-7 - J-20
D26CRK	J-21 - L-10

1976 D26CRK INDEX

Floor Plan	J-21 - J-22
Accessories Group	J-23 - J-24
Bath Group	K-1
Chassis Group	K-2 - K-3
Curtain, Cushion & Pad Group	K-4 - K-7
Dinette Group	K-8
Driver's Compartment Group	K-9 - K-10
Electrical Group	K-11 - K-12
Exterior Body Group	K-13 - K-16
Galley Group	K-17
Heating & Air Conditioning Group	K-18
Interior Finish Group	K-19 - K-20
LP Group	K-21
Lounge Group	K-21
Water & Sewage Group	K-22
Window, Vent & Exterior Door Group	K-23 - K-24
	L-1 - L-10

INTERIOR FINISH GROUP

PANELING AND COUNTERTOP MATERIALS

Key	Part Number	U/M	Description
	045963-01-000	SF	Paneling - 825 Buff Ceiling Panel
	000720-02-000	SF	Paneling - White Stucco - 48" x 92 3/4"
	039168-03-000	SF	Paneling - 187 Walnut - 48" x 96" (32SF)
	000724-01-000	EA	Batt Strip - White Stucco
	000726-05-000	EA	Batt Strip - 187 Walnut
	041205-01-000	SF	Plastic Laminate - 48" x 96" - Green
	041205-02-000	SF	Plastic Laminate - 48" x 96" - Gold
	041205-04-000	SF	Plastic Laminate - 48" x 96" - Orange
	041206-01-000	SF	Tileboard - 60" x 64" - Agate Beige - Bath

INTERIOR MOLDINGS AND TRIMS

Key	Part Number	U/M	Description
	022756-01-000	EA	Cover - Air Conditioner Wire - Plastic
	024700-04-000	EA	Cover - Sidewall Roll Bar - 707 Hickory
	024700-03-000	EA	Cover - Sidewall Roll Bar - White
	034113-01-000	EA	Cover - Corner Support Bar - Dark Brown
	039512-02-000	EA	Cover - Hat Section - 707 Hickory
	039512-01-000	EA	Cover - Hat Section - White
	040025-01-000	EA	Cover - Corner Hat/Hat
	042886-01-000	EA	Cover - Corner - Tube/Tube
	009778-01-000	EA	U-Channel - 1" - Dark Brown Plastic
	009777-01-000	EA	U-Channel - 3/4" - Dark Brown Plastic
	009815-02-000	FT	T-Molding - 3/4" Brown
	009812-03-000	FT	Molding - Plastic Corner - Outside
	009767-01-000	FT	Welting - Brown
	009779-01-000	FT	U-Channel - 1 1/8" - Dark Brown Plastic
	034689-03-000	EA	Cover - Screw - PPH 10 - Ivory - Bathroom
	009781-01-000	FT	Cover - Outside - .62" x .62" - Dark Brown Plastic

FABRICS AND CARPET

Key	Part Number	U/M	Description
	047855-01-000	YD	Fabric - Upholstery - Citrus Green
	047355-02-000	YD	Fabric - Upholstery - Aztec Gold
	046743-03-000	YD	Fabric - Upholstery - Autumn Rust
	042411-01-000	YD	Vinyl - Nonexpanded - 27 Ounce - Bostonian Brown Berkshire
	042411-02-000	YD	Vinyl - Expanded - 28 Ounce - Bostonian Brown Berkshire
	042411-03-000	YD	Vinyl - Nonsupported - 16 Gauge - Bostonian Brown Berkshire
	042414-01-000	FT	Trim - Accent - Bostonian Brown Vinyl
	041210-01-000	SY	Carpet - Green Citrus Moss
	041210-02-000	SY	Carpet - Gold Aztec Topaz
	041210-03-000	SY	Carpet - Autumn Rust Carthus Terra Cotta
	041209-01-000	YD	Fabric - Drapery - Citrus Green
	041209-02-000	YD	Fabric - Drapery - Aztec Gold
	041209-02-000	YD	Fabric - Drapery - Autumn Orange

INTERIOR FINISH GROUP (CONTINUED)

CABINETS AND TABLE HARDWARE

Key	Part Number	U/M	Description
	009068-01-000	EA	Hinge - Continuous Steel - 1 1/2" x 72'
	009151-01-000	EA	Warp Guard - 48"
	009124-01-000	EA	Lock - Door - Push Button Brass (Bath Door)
	009112-01-000	EA	Flange - 1" Rod - Chrome
	041971-01-000	EA	Kit - Cabinet Door Hinge
	041942-01-000	EA	Kit - Drawer Pull
	041917-01-000	EA	Kit - Latch - Overhead Cabinet Door - Jamestown
	009047-01-000	EA	Hold Open - Overhead Door
	009089-01-000	EA	Clip - Mirror - Plastic w. Screw
	047842-01-000	EA	Kit - Dinette Table Leg
	047809-01-000	EA	Kit - Dinette Table Hardware - Wall Mount
	007021-01-000	EA	Belt Asm - Seat - 2" x 90" - Black
	041322-01-000	EA	Washer - Flat - 15/32" I.D x 2 3/8" O.D (Seat Belt)
	037688-01-000	FT	Rail - Drawer Glide
	047744-01-000	EA	Kit - Drawer Glide

CURTAIN HARDWARE

Key	Part Number	U/M	Description
	009107-01-000	EA	Guide - Nylon - Snap - Curtain
	052327-04-236	EA	Curtain Track - Alum - Brown - 89" w/Holes
	042409-01-000	EA	Bracket (Left or Right) Curtain Rod - Single
	037872-01-000	EA	Rod - Curtain - Double Flat Extends - 48" - 86"
	037872-02-000	EA	Bracket - Curtain Rod - Double Flat
	049897-02-000	EA	Rod - Curtain Flat Extension - 48" - 86"
	049897-01-000	EA	Rod - Curtain Flat Extension - 25" - 45"
	009702-01-000	EA	End Stop - Curtain "L" Rod w/Rollers
	009701-01-000	EA	Carrier - "L" Rod w/Rollers
	018031-42-000	EA	Track - Curtain - "L" Rod - 90" Alum.
	049735-01-000	FT	Track - Curtain - Plastic - 3" Brown (Blackout Curtain)
	049737-01-000	EA	End Cap - Plastic - Curtain Track - Brown (Blackout Curtain)
	049738-01-000	EA	Snap - Carrier - White Plastic (Blackout Curtain)

MISCELLANEOUS PARTS

Key	Part Number	U/M	Description
	042950-01-000	EA	Handle - Interior Assist
	041944-01-700	EA	Extinguisher - Fire - Dry Chemical
	007038-01-000	EA	Mat - Door - Black Rubber - 10 1/2" x 26"

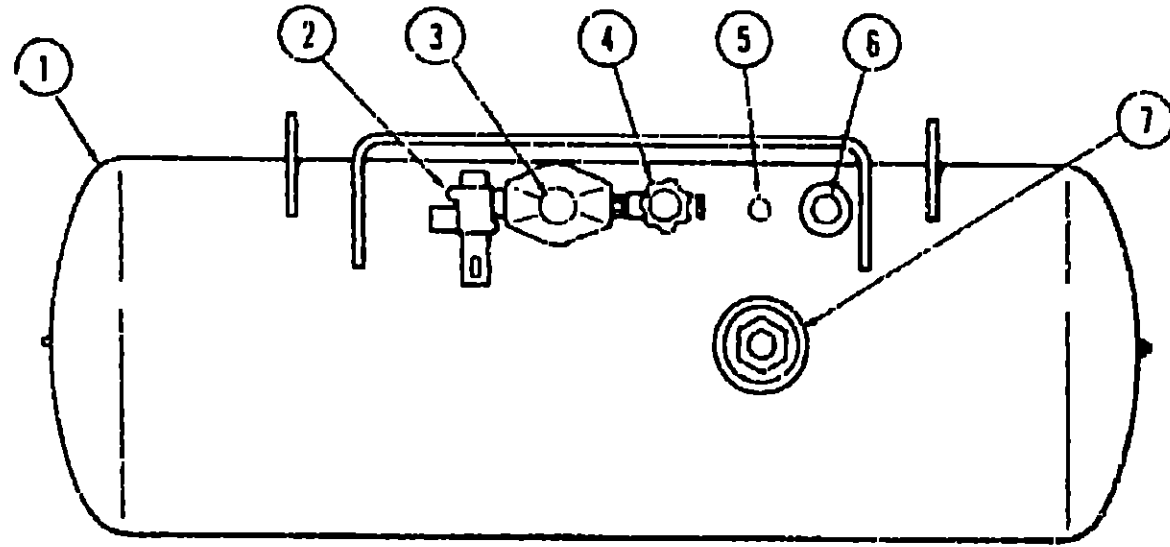
1976 WINNEBAGO TABLE OF CONTENTS

MW25C	A-1 - B-10
MW25CD	B-11 - C-18
MW20RG	C-19 - D-24
MW23RB	E-1 - F-8
MW23RD	F-9 - G-16
D23C	G-17 - I-6
D26CRB	I-7 - J-20
D26CRK	J-21 - L-10

1976 D26CRK INDEX

Floor Plan	J-21 - J-22
Accessories Group	J-23 - J-24
Bath Group	K-1
Chassis Group	K-2 - K-3
Curtain, Cushion & Pad Group	K-4 - K-7
Dinette Group	K-8
Driver's Compartment Group	K-9 - K-10
Electrical Group	K-11 - K-12
Exterior Body Group	K-13 - K-16
Galley Group	K-17
Heating & Air Conditioning Group	K-18
Interior Finish Group	K-19 - K-20
LP Group	K-21
Lounge Group	K-21
Water & Sewage Group	K-22
Window, Vent & Exterior Door Group	K-23 - K-24
	L-1 - L-10

LP GROUP



Key	Part Number	U/M	Description
1	040421-01-000	EA	Tank Asm - LP - Frame Mount - 83 Pound
.	042281-01-000	EA	Tank Asm - LP - Frame Mount - 42 Pound
2	047221-01-000	EA	Detector - LP Gas Leak
3	024712-01-000	EA	Cover - LP Regulator
.	052163-01-000	EA	Regulator - Manual - LP Gas - 2 Stage
4	040421-01-703	EA	Valve - Vapor Relief
5	040421-01-700	EA	Gauge - Liquid Level - 20% LP
6	040421-01-701	EA	Valve - Filler - LP
.	040421-01-702	EA	Cap - Plastic fill Valve
7	040421-01-707	EA	Gauge - Float - w Visible Dial - 83 Pound Tank
.	042281-01-700	EA	Gauge - Float - w Visible Dial - 42 Pound Tank
.	040421-01-706	EA	Dial - Visible Face - Float Gauge (Tank w o Electric Transmitter)
.	040421-01-705	EA	Dial - Transmitter - 0 - 90 Ohm (Float Gauge)
.	045703-03-000	EA	Hose Asm - LP - 3/8" I.D. x 14'
.	047737-02-000	EA	Support - LP Tank - 89 25"
.	047737-03-000	EA	Support - LP Tank - 30 50"
.			Not Illustrated

LOUNGE GROUP

Key	Part Number	U/M	Description
	042602-01-700	EA	Door Asm - Wardrobe Cabinet - 18" x 51 1/8" - w o Hardware
	042092-01-000	EA	Cabinet Asm - Gaucho
	042086-01-000	EA	Cabinet Asm - Overhead - Desk - w o Door or Hardware
	042600-01-700	EA	Door Asm - Desk - Overhead - 26" x 11 8 1/2" - w o Hardware
	042087-01-000	EA	Cabinet Asm - Overhead - Gaucho - w o Door or Hardware
	042600-01-700	EA	Door Asm - Gaucho Overhead - w/c Hardware
	042084-01-701	EA	Cabinet Asm - Desk - w/o Doors, Drawers, or Hardware
	042602-03-700	EA	Door Asm - Desk Cabinet - 7 5/8" x 19" - Right or Left - w o Hardware
	042709-03-700	EA	Drawer Asm - Desk Cabinet - 5 25" x 14 1/2" - w o Hardware
	042554-01-700	EA	Countertop Asm - Desk Cabinet - Green
	042554-02-700	EA	Countertop Asm - Desk Cabinet - Gold
	042084-03-700	EA	Countertop Asm - Desk Cabinet - Rust

WATER AND SEWAGE GROUP

PLUMBING REPAIR KITS, PIPE FITTINGS, AND WATER PUMP

Key	Part Number	U/M	Description
	046524-02-000	EA	Kit - Fittings - Plastic - Water Tank
	046524-01-000	EA	Kit - Fittings - Plastic - Holding Tank
	040539-01-000	EA	Kit - Repair - 3/8" O D Plastic Tube
	040540-01-000	EA	Kit - Repair - 1/2" O D Plastic Tube
	040541-01-000	EA	Kit - Repair - 5/8" O D Plastic Tube
	041819-01-000	EA	Nut and Cone - Plastic 1 1/2" O D Tube
	046126-01-000	EA	Valve - Drain - Plastic 1.2 FPT
	039807-01-000	EA	Valve - Drain - Brass 1.2 MPT
	039818-01-000	EA	Riser Asm - 3/8" O D x 24" Tube
	039818-02-000	EA	Riser Asm - 3/8" O D x 36" Tube
	039818-03-000	EA	Riser Asm - 3/8" O D x 18" Tube
	004020-01-000	OT	Adhesive - ABS Cement
	010153-01-000	EA	Adaptor Trap - Plastic 1 1/2" H x MPT
	010134-01-000	EA	Adaptor - 1 1/2" Male MPT - Plastic
	022316-01-000	EA	Holder - Extension Handle
	010153-01-000	EA	Ring - Closet - Plastic 4F x 3 MPT
	010201-01-000	EA	Hose - Sewer - 3" x 10' w Clamp
	010209-06-000	EA	Handle - Extension Sewer Valve 11 25"
	010235-01-000	EA	Cap - Sewage 3"
	010236-01-000	EA	Adaptor - Hose 3"
	011091-01-000	EA	Waste - Continuous Double Sink 11 7/8"
	010210-01-000	EA	Valve - Sanitary - Theiford 3HB
	010234-01-000	EA	Adaptor - Bayonet
	011056-01-000	EA	P-Trap - Plastic 1 1/4"
	041279-02-000	EA	Pump - Water - Flow 2.8 G P M - PAR
	039547-02-000	EA	Filter - Water - Pump - 1.2 MPT
	050780-01-000	EA	Coupler - Rubber - 3" x 3"
	037845-01-000	FT	Tape - Butyl - 3/16" Bead - Black

HOLDING TANKS AND WATER HEATER

Key	Part Number	U/M	Description
	045706-01-000	EA	Tank Asm - Water - Plastic - 26 Gallon - w Fittings
	045196-01-000	EA	Tank - Water - Plastic - 26 Gallon - w o Fittings
	040552-02-000	EA	Tank Asm - Holding - Plastic - 19 Gallon - w Fittings
	040552-01-000	EA	Tank - Holding - Plastic - 19 Gallon - w/o Fittings
	041155-02-000	EA	Tank Asm - Holding - Plastic - 25 Gallon - w Fittings
	041155-01-000	EA	Tank - Holding - Plastic - 25 Gallon - w o Fittings
**	031952-01-000	EA	Water Heater - 6 Gallon - Atwood - G6A2
**	051391-01-000	EA	Water Heater - 6 Gallon - Atwood - G6A3

**The illustrated parts breakdown for this item is provided on the Common Items Fiche

**1976 WINNEBAGO
TABLE OF CONTENTS**

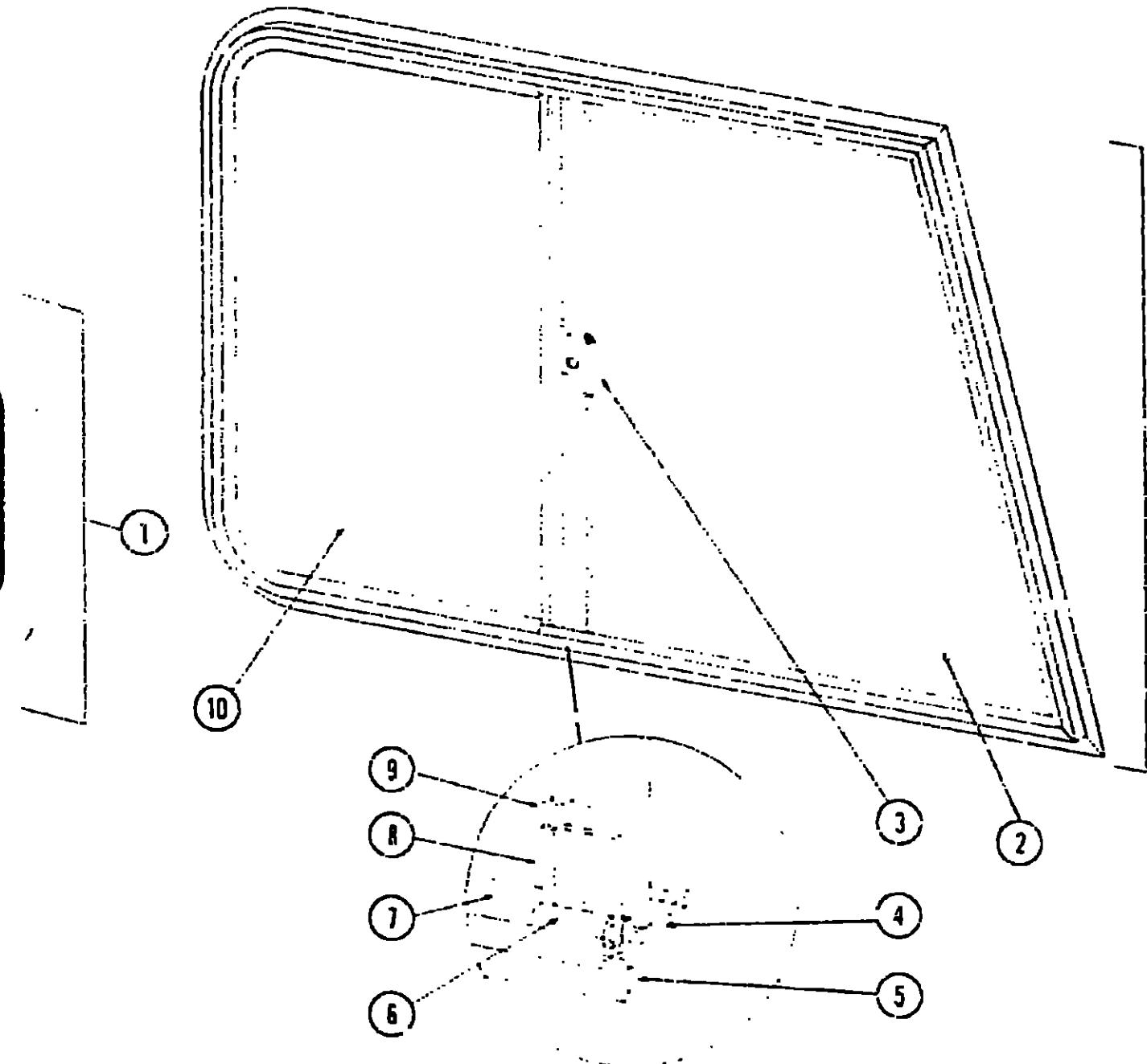
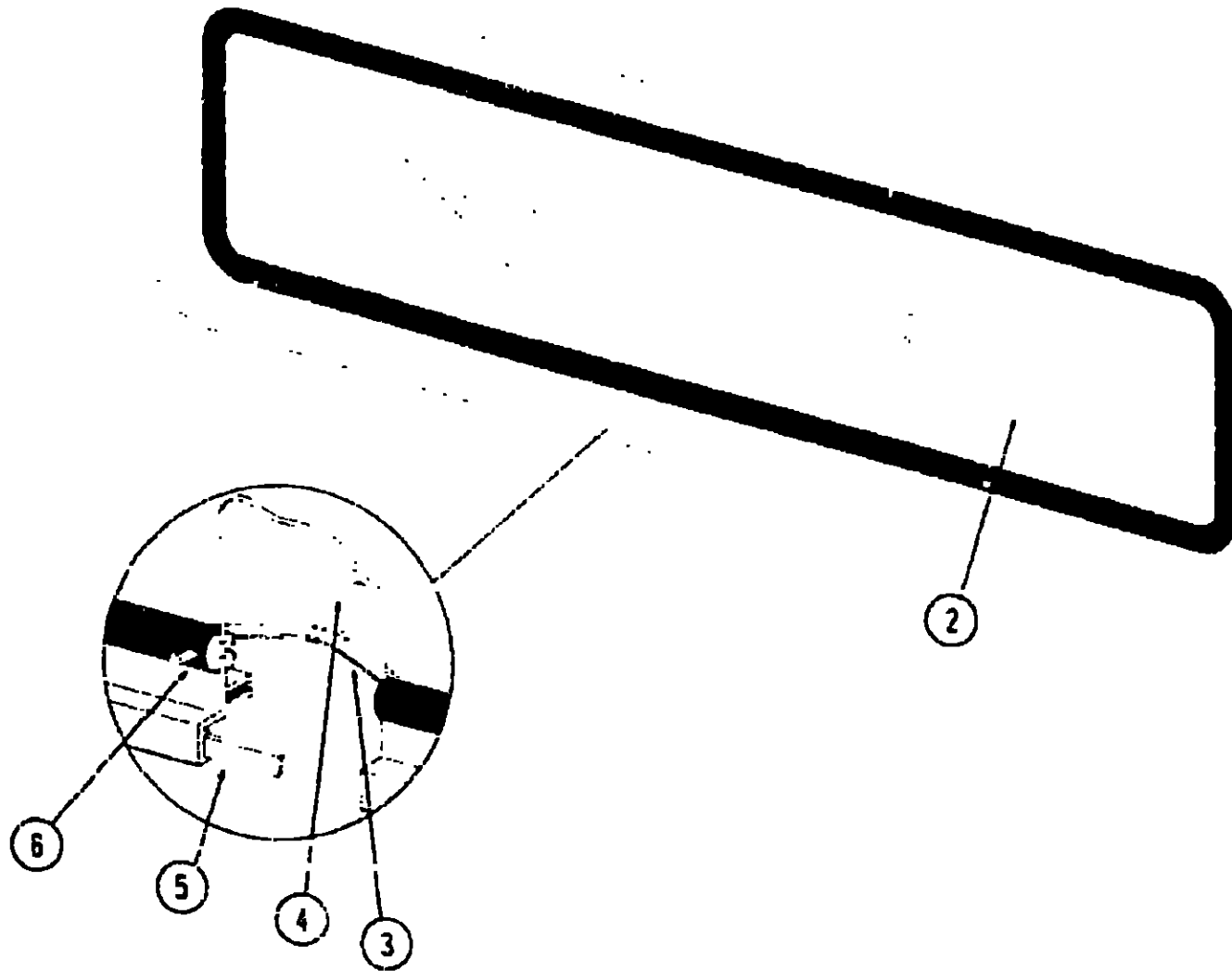
M.V25C	A-1 - B-10
MW25CD	B-11 - C-18
MW2CRG	C-19 - D-24
MW23PB	E-1 - F-8
MW23RD	F-9 - G-16
D23C	G-17 - I-6
D26CRB	I-7 - J-20
D26CRK	J-21 - L-10

**1976 D26CRK
INDEX**

Floor Plan	J-21 - J-22
Accessories Group	J-23 - J-24
Bath Group	K-1
Chassis Group	K-2 - K-3
Curtain, Cushion & Pad Group	K-4 - K-7
Dinette Group	K-8
Driver's Compartment Group	K-9 - K-10
Electrical Group	K-11 - K-12
Exterior Body Group	K-13 - K-16
Galley Group	K-17
Heating & Air Conditioning Group	K-18
Interior Finish Group	K-19 - K-20
LP Group	K-21
Lounge Group	K-21
Water & Sewage Group	K-22
Window, Vent & Exterior Door Group	K-23 - K-24
	L-1 - L-10

WINDOW, VENT AND EXTERIOR DOOR GROUP

WINDOW, VENT AND EXTERIOR DOOR GROUP (CONTINUED)



**1976 WINNEBAGO
TABLE OF CONTENTS**

MW25C	A-1 - B-10
MW25CD	B-11 - C-18
MW20RG	C-19 - D-24
MW23RB	E-1 - F-8
MW23RD	F-9 - G-16
D23C	G-17 - I-6
D26CRB	I-7 - J-20
D26CRK	J-21 - L-10

**1976 D26CRK
INDEX**

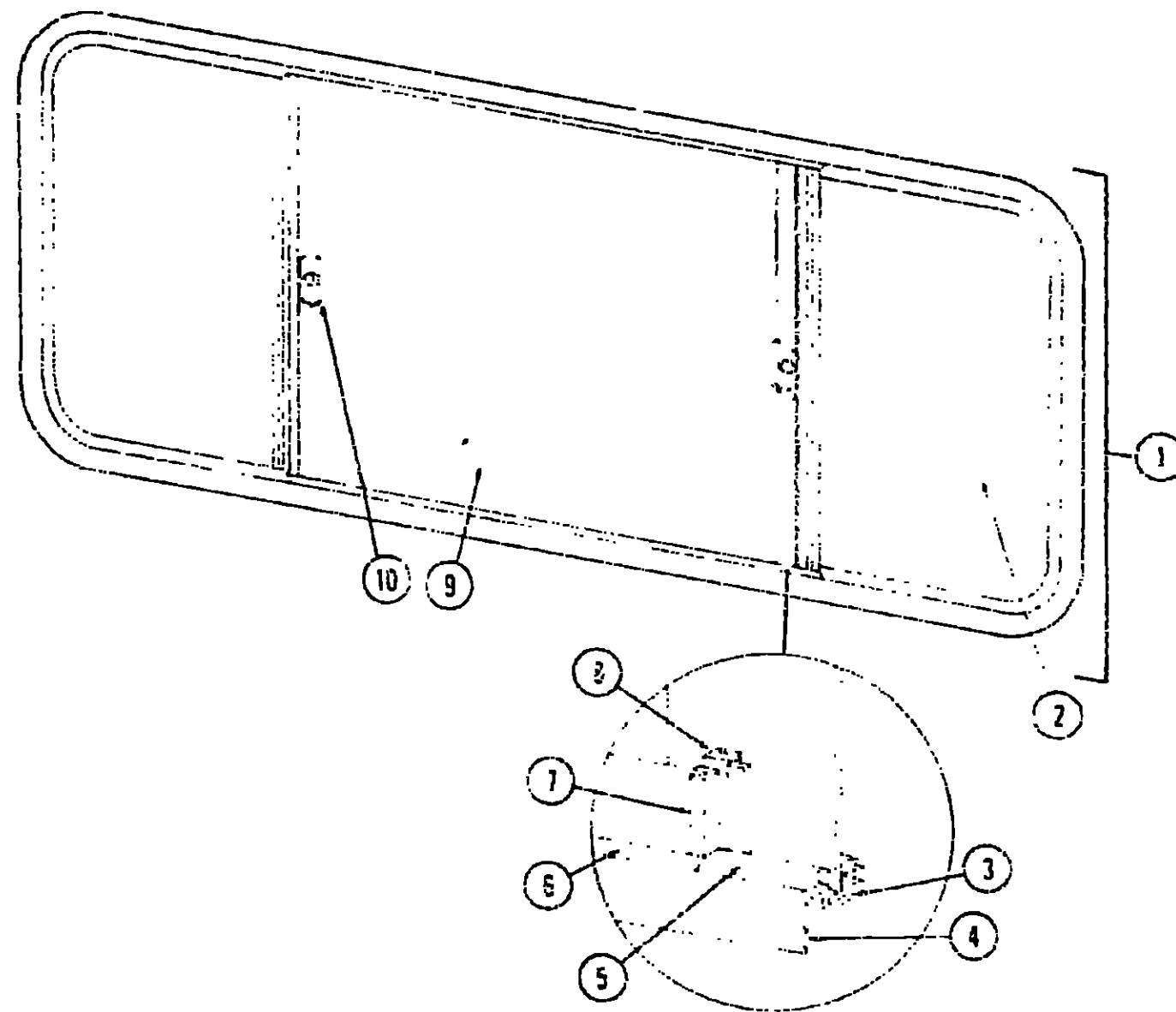
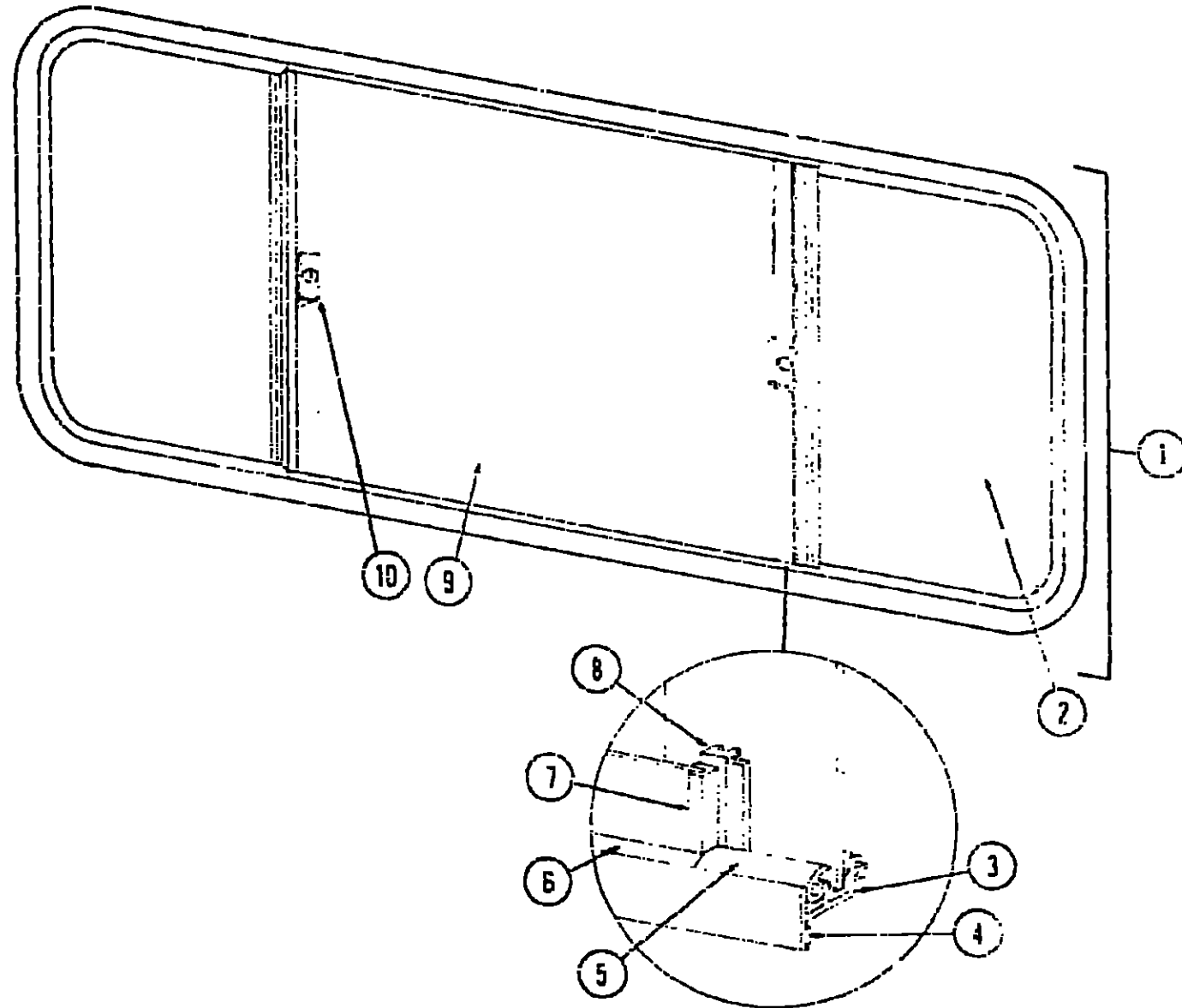
Floor Plan	J-21 - J-22
Accessories Group	J-23 - J-24
Bath Group	K-1
Chassis Group	K-2 - K-3
Curtain, Cushion & Pad Group	K-4 - K-7
Dinette Group	K-8
Driver's Compartment Group	K-9 - K-10
Electrical Group	K-11 - K-12
Exterior Body Group	K-13 - K-16
Galley Group	K-17
Heating & Air Conditioning Group	K-18
Interior Finish Group	K-19 - K-20
LP Group	K-21
Lounge Group	K-21
Water & Sewage Group	K-22
Window, Vent & Exterior Door Group	K-23 - K-24
	L-1 - L-10

Key	Part Number	U/M	Description
1	020754-03-000	EA	Window Asm - Escape - 23" x 69" - Black Anod w/o Inside Frame
2	002178-01-000	EA	Glass - 1/8" x 19 61" x 64 80"
3	002285-01-000	FT	Weather Strip - Filler - Black
4	020395-01-000	EA	Slip Ring - Roll
5	004363-01-000	FT	Tape - Foam - 3/16" x 1/2" - Gray
6	002282-01-000	FT	Weather Strip - Window - 125" Black
	020753-04-000	EA	Frame - Window - Inside - Escape - 23" x 68" (not included in assembly)
	006199-01-000	EA	Label - Exit - Escape Window
	Not Illustrated		

Key	Part Number	U/M	Description
1	048628-03-000	EA	Window Asm - Right Front Slant Slider - 23" x 39" - Black Anod (w/o Inside Frame)
	048628-04-000	EA	Window Asm - Left Front Slant Slider - 23" x 39" - Black Anod (w/o Inside Frame)
2	041897-01-000	EA	Glass - 1/8" x 22 06" x 18 91" x 21 22" - Stationary
3	047369-01-700	EA	Latch - Window - Plastic w Fastener
	023275-01-000	EA	Latch - Window - Aluminum
4	002324-01-000	FT	Channel - Weatherstrip - Glass Run - 1/8" Glass
5	004363-01-000	FT	Tape - Foam - 3/16" x 1/2" - Gray
6	002309-02-000	FT	Spline - Glass - 1/8" - Black
7	024026-02-000	FT	Seal - Window Channel - Black
8	018025-03-000	EA	Holder - Glass Seal - Black Anod
9	041894-11-000	EA	Mullion - Slider Window - 23" - Black Anod
10	047824-01-000	EA	Glass - 1/8" x 22 06" x 19 06" - Sliding
	049162-02-000	EA	Frame - Inside - Right Front Slant Slider - Window - 23" x 39" (not included in assembly)
	049162-01-000	EA	Frame - Inside - Left Front Slant Slider - Window - 23" x 39" (not included in assembly)
	023713-02-000	EA	Cover - Plastic Weephole - Black
	Not Illustrated		

WINDOW, VENT AND EXTERIOR DOOR GROUP (CONTINUED)

WINDOW, VENT AND EXTERIOR DOOR GROUP (CONTINUED)



1976 WINNEBAGO
TABLE OF CONTENTS

MW25C
MW25CD
MW20RG
MW23RB
MW23RD
D23C
D26CRB
D26CRK

A-1 - B-10
B-11 - C-18
C-19 - D-24
E-1 - F-8
F-9 - G-16
G-17 - I-0
J-7 - J-20
J-21 - L-10

1976 D26CRK
INDEX

Floor Plan J-21 - J-22
Accessories Group J-23 - J-24
Bath Group K-1
Chassis Group K-2 - K-3
Curtain, Cushion & Pad Group K-4 - K-7
Dinette Group K-8
Driver's Compartment Group K-9 - K-10
Electrical Group K-11 - K-12
Exterior Body Group K-13 - K-16
Galley Group K-17
Heating & Air Conditioning Group K-18
Interior Finish Group K-19 - K-20
LP Group K-21
Lounge Group K-21
Water & Sewage Group K-22
Window, Vent & Exterior Door Group K-23 - K-24
L-1 - L-10

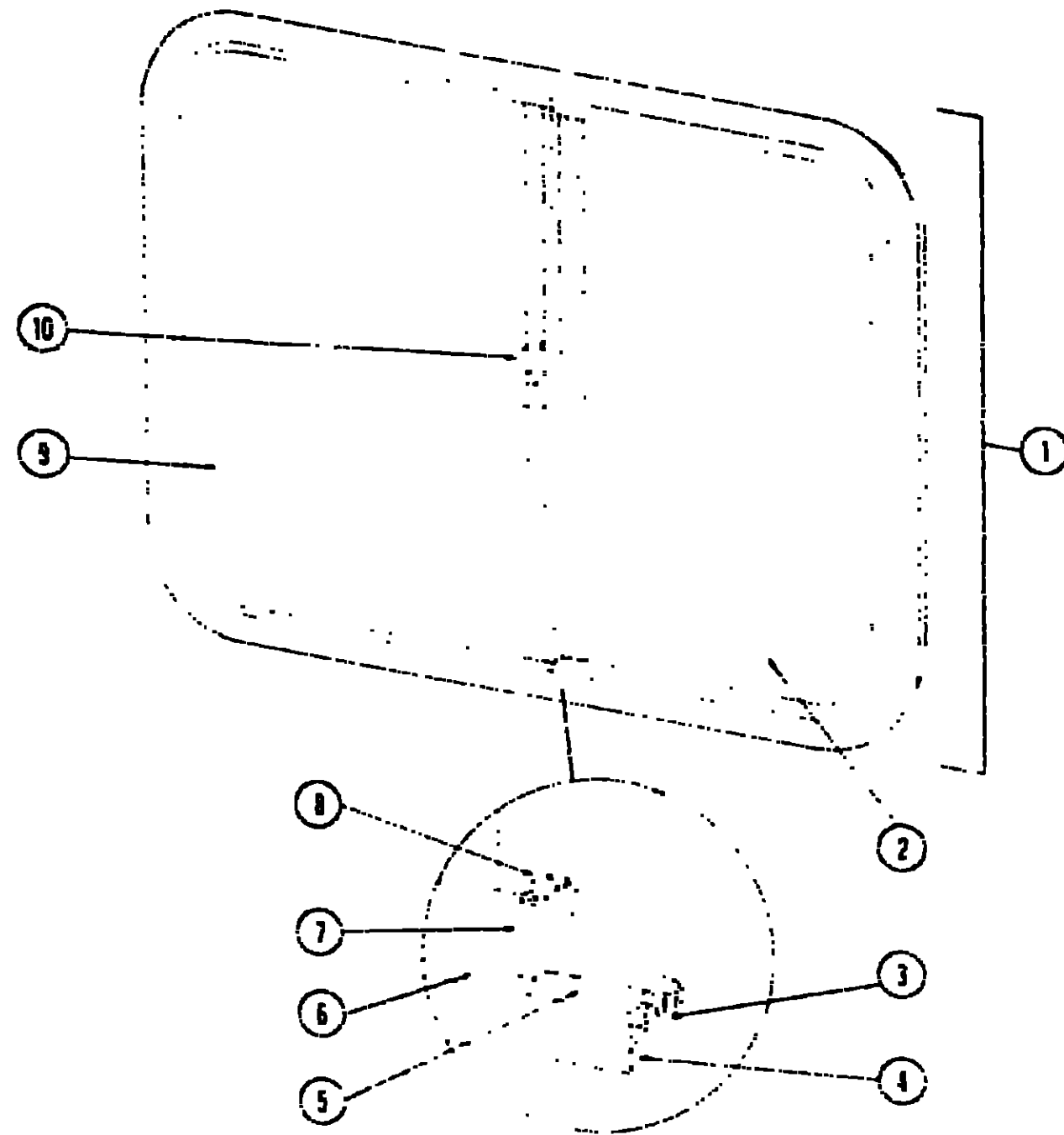
Key	Part Number	U/M	Description
1	048630-02-000	EA	Window Asm. - Double - Slider - 23" x 56" - Black Anod (w/o Inside Frame)
2	002184-01-000	EA	Glass - 1/8" x 22" x 16.53" Sliding (Used w Alum. Latch)
	047816-01-000	EA	Glass - 1/8" x 22" x 16.53" - Sliding (Used w/Plastic Latch)
3	002324-01-000	FT	Channel - Weatherstrip - Glass Run - 1.8" Glass
4	004363-01-000	FT	Tape - Foam - 3/16" x 1/2" - Gray
5	024096-02-000	FT	Seal - Window Channel - Black
6	002309-02-000	FT	Spline - Glass - 1/8" - Black
7	018025-03-000	EA	Holder - Glass Seal - Black Anod
8	041894-02-000	EA	Mullion - Slider Window - 23" Black Anod
9	002188-01-000	EA	Glass - 1/8" x 22" x 21.03" - Stationary
10	047369-01-700	EA	Latch - Window - Plastic w/Fastener
	023275-01-000	EA	Latch - Window - Aluminum
	002298-01-000	FT	Spline - Gray - 1/30" Dia - (Screen)
	002293-01-000	SF	Screen - Window - 26" - Gray
	023713-02-000	EA	Cover - Weephole - Plastic - Black
	042133-02-000	EA	Frame - Inside - Double Slider Window (Used w/Window with Plastic Latch)

Key	Part Number	U/M	Description
1	048630-02-000	EA	Window Assembly - Double Slider - 23" x 56" - Black Anod w Plastic Latch - w/o Inside Frame (Requires Z Style Inside Frame)
2	047823-01-000	EA	Glass - 1/8" x 22" x 21.03" - Sliding w/Holes (Used w Plastic Latch)
	002187-01-000	EA	Glass - 1/8" x 22" x 21.028" - Sliding w/o Holes (Used w Aluminum Latch)
3	002324-01-000	FT	Channel - Weatherstrip - Glass Run - 1.8" Glass
4	004363-01-000	FT	Tape - Foam - 3/16" x 1/2" - Gray
5	024096-02-000	FT	Seal - Window Channel (Used in Windows w Z Style Inside Frame)
	002263-01-000	FT	Seal - Window Channel (Used in Windows w T Style Inside Frame)
6	002309-02-000	FT	Spline - Glass - 1/8" - Black
7	018025-03-000	EA	Holder - Glass Seal - 23" - Black Anod
8	041894-02-000	EA	Mullion - Slider Window - 23" - Black Anod (Used in Window w Z Style Inside Frame)
	018014-02-000	EA	Mullion - Slider Window - 22" - Black Anod (Used in Window w T Style Inside Frame)
9	002188-01-000	EA	Glass - 1/8" x 22" x 21.03" - Stationary
10	047369-01-700	EA	Latch - Window Plastic w/Fastener
	023275-01-000	EA	Latch - Window - Aluminum
	041899-01-000	FT	Tape - Foam - Aluminum Window Latch
	002198-01-000	FT	Spline - Screen - 1/30" Diameter - Gray
	002293-01-000	SF	Screen - Window - 26" - Gray
	023713-02-000	EA	Cover - Weephole - Black Plastic
	042133-02-000	EA	Frame - Window - Inside - 23" x 66" (Z Style)
	018016-01-000	EA	Frame - Window - Inside - 23" x 65" (T Style)
			Not Illustrated

WINDOW, VENT AND EXTERIOR DOOR GROUP (CONTINUED)

WINDOW, VENT AND EXTERIOR DOOR GROUP (CONTINUED)

Key	Part Number	U/M	Description
1	048631-08-000	EA	Window Asm - Left Single Slider - 23" x 29" - w/Plastic Latch w/o Inside Frame (Requires Z Style Inside Frame)
2	047813-01-000	EA	Glass - Sliding - 1.8" x 22" x 13.68" w. Holes (Used w Plastic Latch)
	002186-01-000	EA	Glass - Sliding - 1.8" x 22" x 13.68" w.o Holes (Used w/Aluminum Latch)
3	002324-01-000	FT	Channel - Weatherstrip - Glass Run - 1.8" Glass
4	004363-01-000	FT	Tape - Foam - 3.16" x 1/2" - Gray
5	024096-02-000	FT	Seal - Window Channel - Black (Used in Window w/Z Style Inside Frame)
	002283-01-000	FT	Seal - Window Channel (Used in Window w T Style Inside Frame)
6	002309-02-000	FT	Spline - Glass - 1.8" - Black
7	018025-03-000	EA	Holder - Glass Seal - 23" - Black Anod
8	041894-02-000	EA	Mullion - Slider Window - 23" - Black Anod (Used in Window w/Z Style Inside Frame)
	018014-02-000	EA	Mullion - Slider Window - 22" (Used in Window w T Style Inside Frame)
9	002164-01-000	EA	Glass - TP - Stationary
10	047369-01-700	EA	Latch - Window - Plastic w Fastener
	023275-01-000	EA	Latch - Window - Aluminum
	041839-01-000	FT	Tape - Foam - Aluminum Window Latch
	002298-01-000	FT	Spline - Screen - 130" Diameter - Gray
	002293-01-000	SF	Screen - Window - 26" - Gray
	023713-02-000	EA	Cover - Weephole - Black Plastic
	042147-01-000	EA	Frame - Window - Inside - 23" x 29" (Z Style)
	018027-01-000	EA	Frame - Window - Inside - 23" x 29" (T Style)
			Not Illustrated



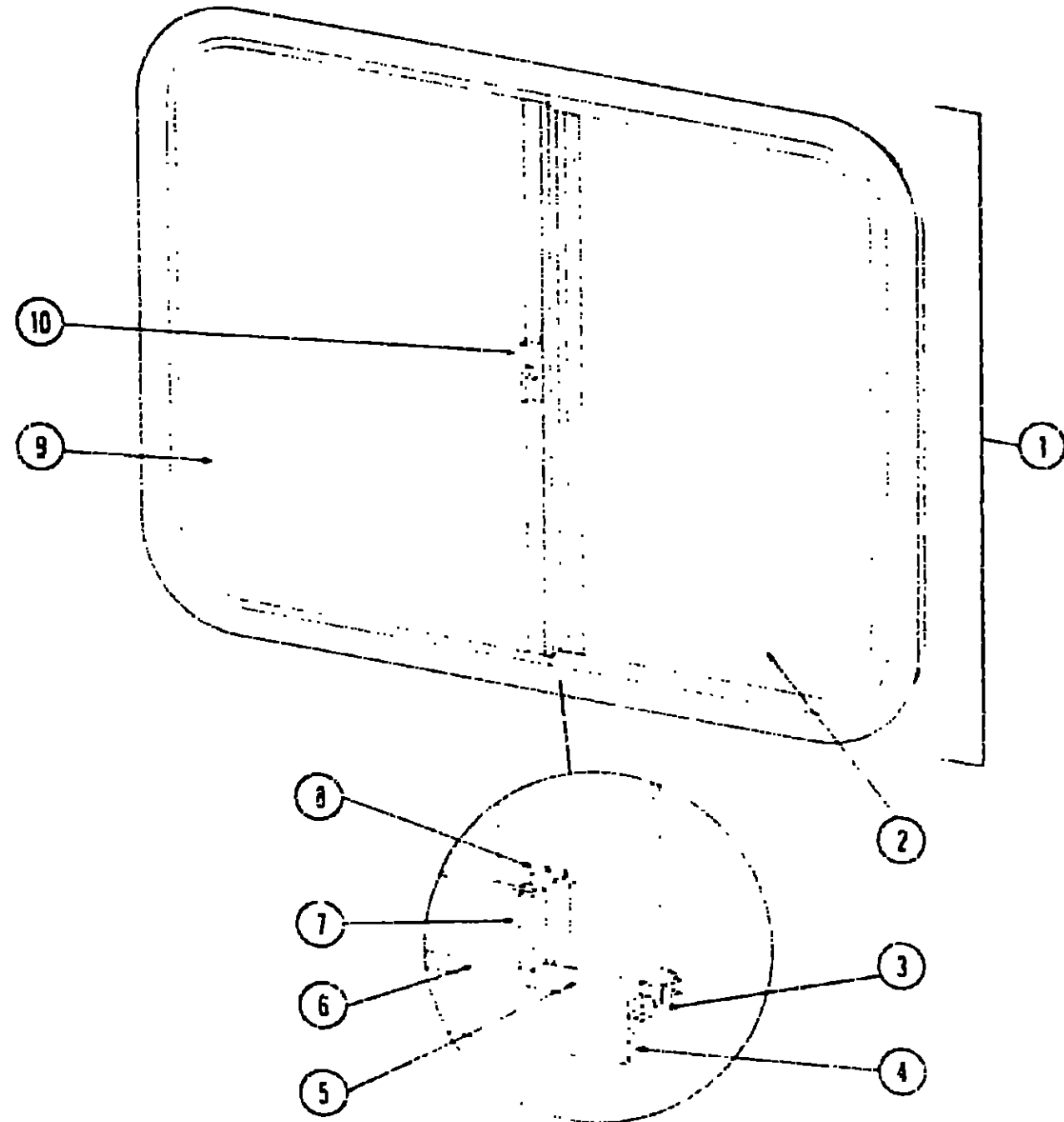
**1976 WINNEBAGO
TABLE OF CONTENTS**

MW25C	A-1 - B-10
MW25CD	B-11 - C-18
MW20RG	C-19 - D-24
MW23RB	E-1 - F-8
MW23RD	F-9 - G-16
D23C	G-17 - I-6
D26CRB	I-7 - J-20
D26CRK	J-21 - L-10

**1976 D26CRK
INDEX**

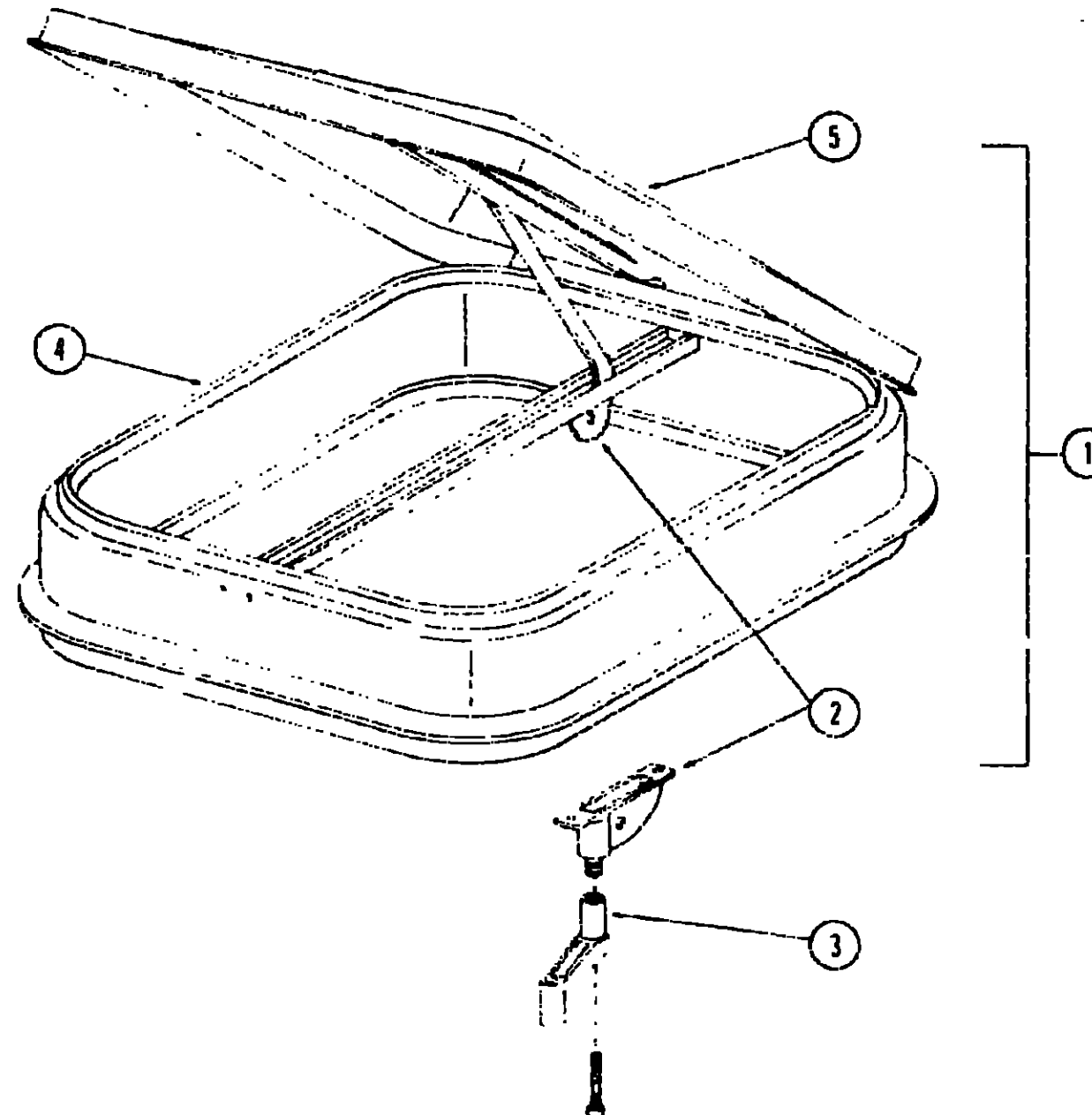
Floor Plan	J-21 - J-22
Accessories Group	J-23 - J-24
Bath Group	K-1
Chassis Group	K-2 - K-3
Curtain, Cushion & Pad Group	K-4 - K-7
Dinette Group	K-8
Driver's Compartment Group	K-9 - K-10
Electrical Group	K-11 - K-12
Exterior Body Group	K-13 - K-16
Galley Group	K-17
Heating & Air Conditioning Group	K-18
Interior Finish Group	K-19 - K-20
LP Group	K-21
Lounge Group	K-21
Water & Sewage Group	K-22
Window, Vent & Exterior Door Group	K-23 - K-24
	L-1 - L-10

WINDOW, VENT AND EXTERIOR DOOR GROUP (CONTINUED)



Key	Part Number	U/M	Description
1	048531-15-000	EA	Window Asm - Right - Single Slider - 23" x 44" - Black Anod w o Inside Frame
2	047823-01-000	EA	Glass - 1 8" x 22" x 21 03" - Sliding w Plastic Latch
	002187-01-000	EA	Glass - 1 8" x 22" x 21 028" - Sliding w Aluminum Latch
3	002324-01-000	FT	Channel - Weatherstrip - Glass Run - 1 8" Glass
4	004353-01-000	FT	Tape - Foam - 3 15" x 1 2" - Gray
5	002309-02-000	FT	Spine - Glass - 1 8" - Black
6	024095-02-000	FT	Seal - Window Channel - Black
7	018025-03-000	EA	Holder - Glass Seal - Black Anod
8	041894-02-000	EA	Mullion - Slider Window - 23" - Black Anod
9	002183-01-000	EA	Glass - Tempered Sheet - Stationary
10	047369-01-700	EA	Latch - Window - Plastic w Fastener
	023275-01-000	EA	Latch - Window - Aluminum
	042147-02-000	EA	Frame - Inside - Single Slider Window - Left - 23" x 29" (not included in assembly)
	023713-02-000	EA	Cover - Plastic Weephole - Black
	002298-01-000	FT	Spine - Gray - 1 35" Dia (Screen)
	002293-01-000	SF	Screen - Window - 26" - Gray
	Not Illustrated		

WINDOW, VENT AND EXTERIOR DOOR GROUP (CONTINUED)



Key	Part Number	U/M	Description
1	048835-01-000	EA	Vent Asm - Roof - Nonpowered - w o Screen
2	009440-01-000	EA	Gear - Arm - Roof Vent
3	009439-01-000	EA	Crank - Roof Vent
4	002825-01-000	FT	Weatherstrip - Roof Vent
5	046825-01-000	EA	Cover - Plastic - Roof Vent
	016335-01-000	EA	Screen Asm - Nonpowered Roof Vent - Clear Anod (not included in assembly)
	016335-03-000	EA	Screen Asm - Nonpowered Roof Vent - Beige (not included in assembly)
	Not Illustrated		

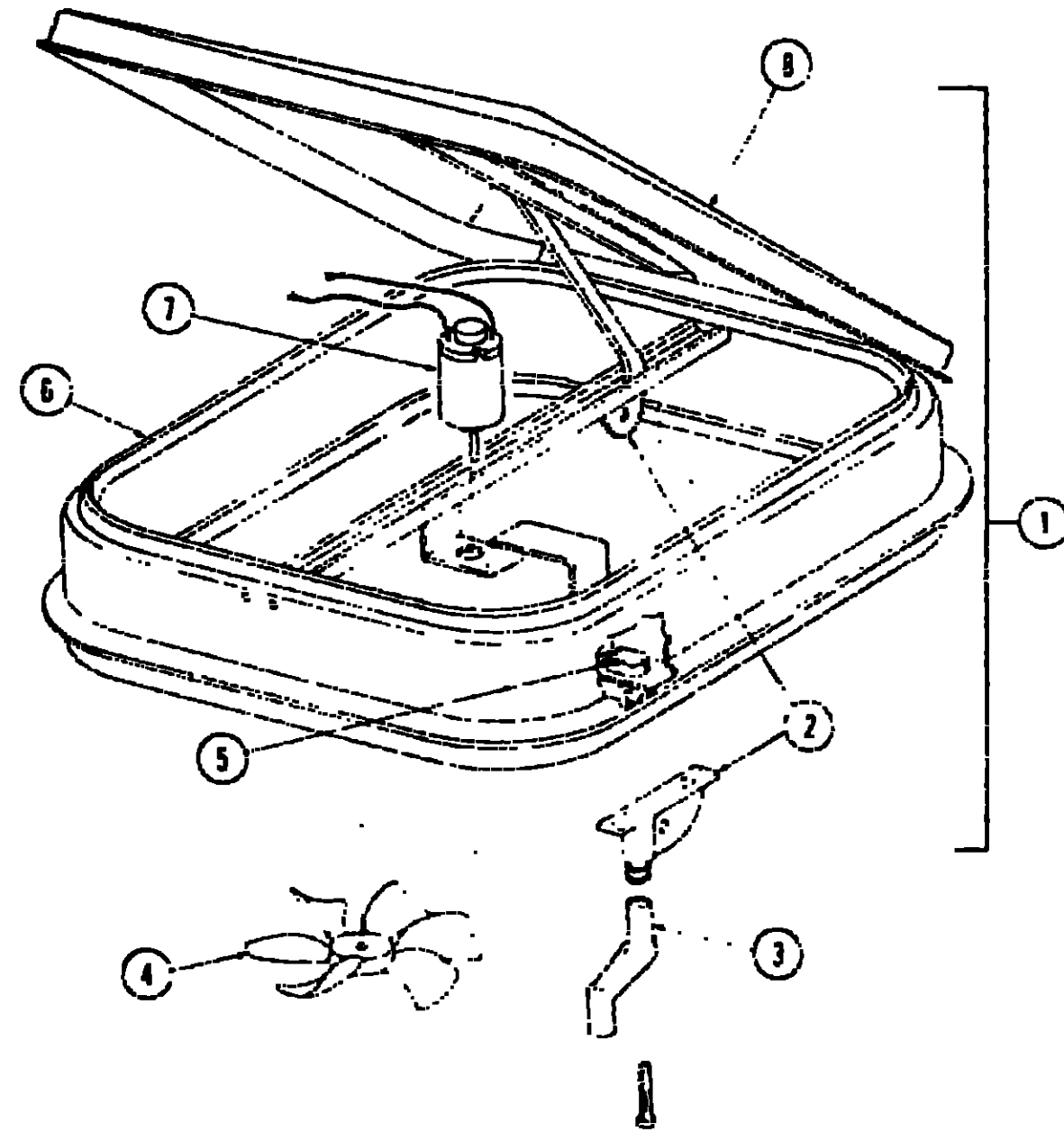
1976 WINNEBAGO
TABLE OF CONTENTS

MW25C	A-1 - B-10
MW25CD	B-11 - C-18
MW20RG	C-19 - D-24
MW23RB	E-1 - F-8
MW23RD	F-9 - G-16
D23C	G-17 - I-6
D26CRB	I-7 - J-20
D26CRK	J-21 - L-10

1976 D26CRK
INDEX

Floor Plan	J-21 - J-22
Accessories Group	J-23 - J-24
Bath Group	K-1
Chassis Group	K-2 - K-3
Curtain, Cushion & Pad Group	K-4 - K-7
Dinette Group	K-8
Driver's Compartment Group	K-9 - K-10
Electrical Group	K-11 - K-12
Exterior Body Group	K-13 - K-16
Galley Group	K-17
Heating & Air Conditioning Group	K-18
Interior Finish Group	K-19 - K-20
LP Group	K-21
Lounge Group	K-21
Water & Sewage Group	K-22
Window, Vent & Exterior Door Group	K-23 - K-24
	L-1 - L-10

WINDOW, VENT AND EXTERIOR DOOR GROUP (CONTINUED)



Key	Part Number	U/M	Description
1	048789-01-000	EA	Vent Asm. - Roof - Powered - w/o Screen
2	009446-01-000	EA	Gear - Arm - Roof Vent
3	009439-01-000	EA	Crank - Roof Vent
4	048649-01-000	EA	Fan - 6 - Plastic
5	008195-01-000	EA	Switch - Push Button - 12 Volt
6	002825-01-000	IT	Weatherstrip - Roof Vent
7	048648-01-000	EA	Motor - 12 Volt
8	040825-01-000	EA	Cover - Plastic - Roof Vent
*	048695-01-000	EA	Screen Asm. - Powered Roof Vent - Great Area (not included in assembly)
*	049665-03-000	EA	Screen Asm. - Powered Roof Vent - Beige (not included in assembly)
*			Not Illustrated

WINDOW, VENT AND EXTERIOR DOOR GROUP (CONTINUED)

WINDSHIELD

Key	Part Number	U/M	Description
	034975-04-000	EA	Glass - Windshield - 74 x 32 1/2 x 45 4/5 - Right or Left
	036764-03-000	EA	Extr. - Windshield Trim - Anod. Black - 22 3/8
	042744-03-000	EA	Frame Asm. - Windshield w/o Glass
	005566-01-000	EA	Tape - Butyl - 31 x 31 x 1/8
	043288-01-000	CA	Trim - Windshield

VENTS

Key	Part Number	U/M	Description
	039778-01-000	EA	Cover - Plastic - Refrigerator Vent
	009407-01-000	EA	Frame - Base - Refrigerator Vent (w/o Cover)
	003213-02-000	EA	Vent - Stovehood - Outside - Beige

ACCESS DOORS

Key	Part Number	U/M	Description
	003182-02-000	EA	Door Asm. - Water Heater Access - Beige (G5A2)
	037207-05-000	EA	Door Asm. - Refrigerator Access - w Twist Type Lock
	037804-06-000	EA	Door Asm. - Battery - w Twist Type Lock
	037504-07-000	EA	Door Asm. - Luggage - Beige - w Key Type Lock
	041330-03-000	EA	Door Asm. - Radius Trunk - Beige - T-Handle Lock
	043663-01-000	EA	Door Asm. - Generator - Beige - Left
	009009-01-000	EA	Lock - T-Handle - Bent Cam - Trunk Door
	039584-01-000	EA	Kit - Lock - Twist Type w Clip
	047305-01-000	EA	Kit - Lock - Key Type w Clip
	044210-02-000	EA	Door Asm. - Power Cord - 6 x 10 - Beige
	043942-01-000	EA	Latch - Power Cord Door - Quarter Turn - Plastic

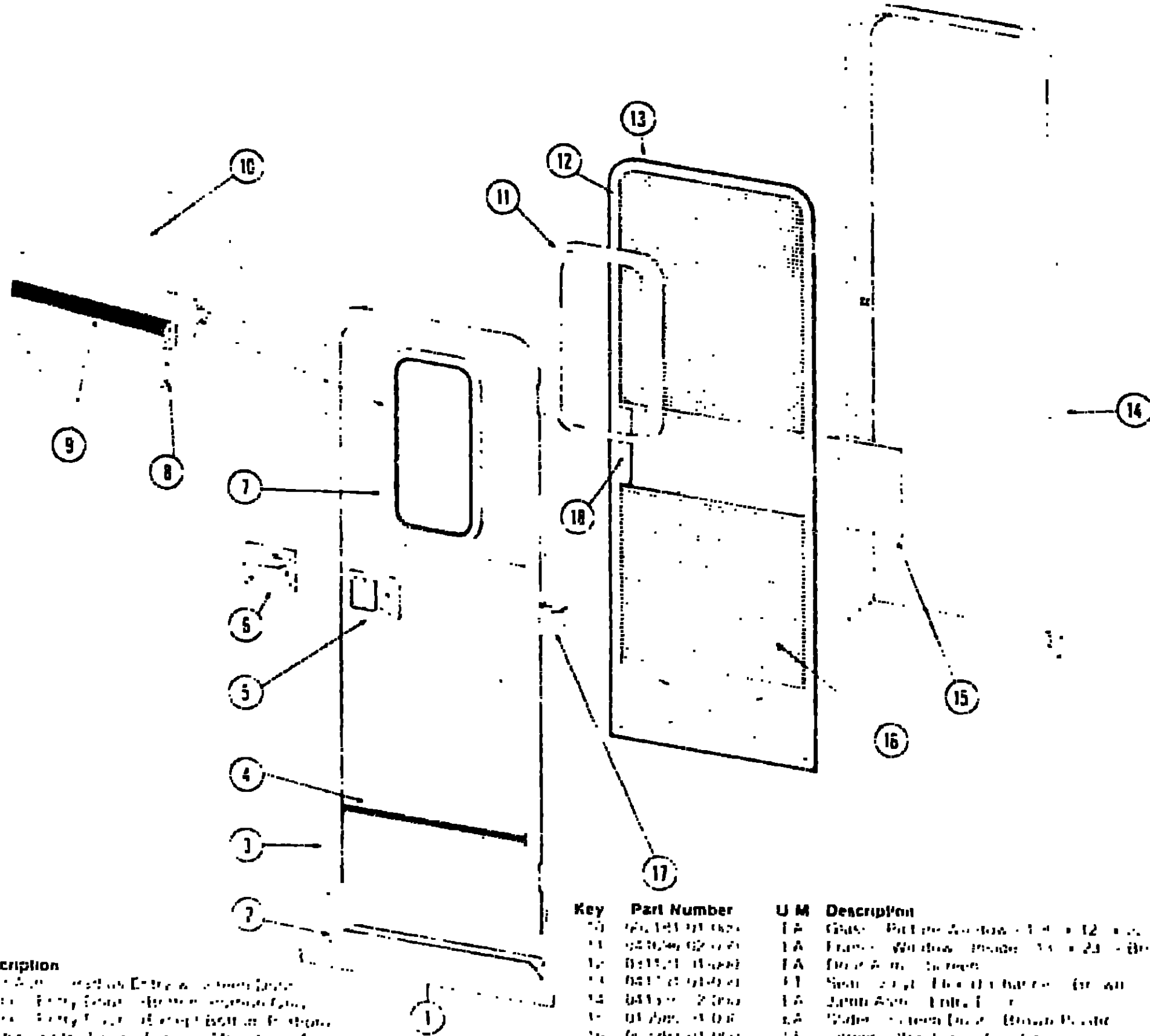
**1976 WINNEBAGO
TABLE OF CONTENTS**

MW25C	A-1 - B-10
MW25CD	B-11 - C-18
MW2CRG	C-19 - D-24
MW23RB	E-1 - F-5
MW23RD	F-9 - G-16
D23C	G-17 - I-5
D26CRB	I-7 - J-20
D26CRK	J-21 - L-10

**1976 D26CRK
INDEX**

Floor Plan	J-21 - J-22
Accessories Group	J-23 - J-24
Bath Group	K-1
Chassis Group	K-2 - K-3
Curtain, Cushion & Pad Group	K-4 - K-7
Dinette Group	K-8
Driver's Compartment Group	K-9 - K-10
Electrical Group	K-11 - K-12
Exterior Body Group	K-13 - K-16
Galley Group	K-17
Heating & Air Conditioning Group	K-18
Interior Finish Group	K-19 - K-20
LP Group	K-21
Lounge Group	K-21
Water & Sewage Group	K-22
Window, Vent & Exterior Door Group	K-23 - K-24
	L-1 - L-10

WINDOW, VENT AND EXTERIOR DOOR GROUP (CONTINUED)



1976 WINNEBAGO
TABLE OF CONTENTS

MW25C	A-1 - B-10
MW25CD	B-11 - C-18
MW20RG	C-19 - D-24
MW23RB	E-1 - F-3
MW23RD	F-3 - G-16
D23C	G-17 - I-6
D26CRB	I-7 - J-20
D26CRK	J-21 - L-10

1976 D26CRK
INDEX

Floor Plan	J-21 - J-22
Accessories Group	J-23 - J-24
Bath Group	K-1
Chassis Group	K-2 - K-3
Curtain Cushion & Pad Group	K-4 - K-7
Dinette Group	K-8
Driver's Compartment Group	K-9 - K-10
Electrical Group	K-11 - K-12
Exterior Body Group	K-13 - K-16
Galley Group	K-17
Heating & Air Conditioning Group	K-18
Interior Finish Group	K-19 - K-20
LP Group	K-21
Lounge Group	K-21
Water & Sewage Group	K-22
Window Vent & Exterior Door Group	K-23 - K-24
	L-1 - L-10

Key	Part Number	U M	Description
1	041941 01 000	EA	Plate - Glass - Entry Door - 13 x 23 - Black Anodized
2	041942 02 000	EA	Plate - Glass - Entry Door - 13 x 23 - Black Anodized
3	041943 03 000	EA	Plate - Glass - Entry Door - 13 x 23 - Black Anodized
4	041944 04 000	EA	Plate - Glass - Entry Door - 13 x 23 - Black Anodized
5	041945 05 000	EA	Plate - Glass - Entry Door - 13 x 23 - Black Anodized
6	041946 06 000	EA	Plate - Glass - Entry Door - 13 x 23 - Black Anodized
7	041947 07 000	EA	Plate - Glass - Entry Door - 13 x 23 - Black Anodized
8	041948 08 000	EA	Plate - Glass - Entry Door - 13 x 23 - Black Anodized
9	041949 09 000	EA	Plate - Glass - Entry Door - 13 x 23 - Black Anodized

Key	Part Number	U M	Description
10	041950 10 000	EA	Plate - Glass - Entry Door - 13 x 23 - Black Anodized
11	041951 11 000	EA	Plate - Glass - Entry Door - 13 x 23 - Black Anodized
12	041952 12 000	EA	Plate - Glass - Entry Door - 13 x 23 - Black Anodized
13	041953 13 000	EA	Plate - Glass - Entry Door - 13 x 23 - Black Anodized
14	041954 14 000	EA	Plate - Glass - Entry Door - 13 x 23 - Black Anodized
15	041955 15 000	EA	Plate - Glass - Entry Door - 13 x 23 - Black Anodized
16	041956 16 000	EA	Plate - Glass - Entry Door - 13 x 23 - Black Anodized
17	041957 17 000	EA	Plate - Glass - Entry Door - 13 x 23 - Black Anodized
18	041958 18 000	EA	Plate - Glass - Entry Door - 13 x 23 - Black Anodized
			Not illustrated

L-9