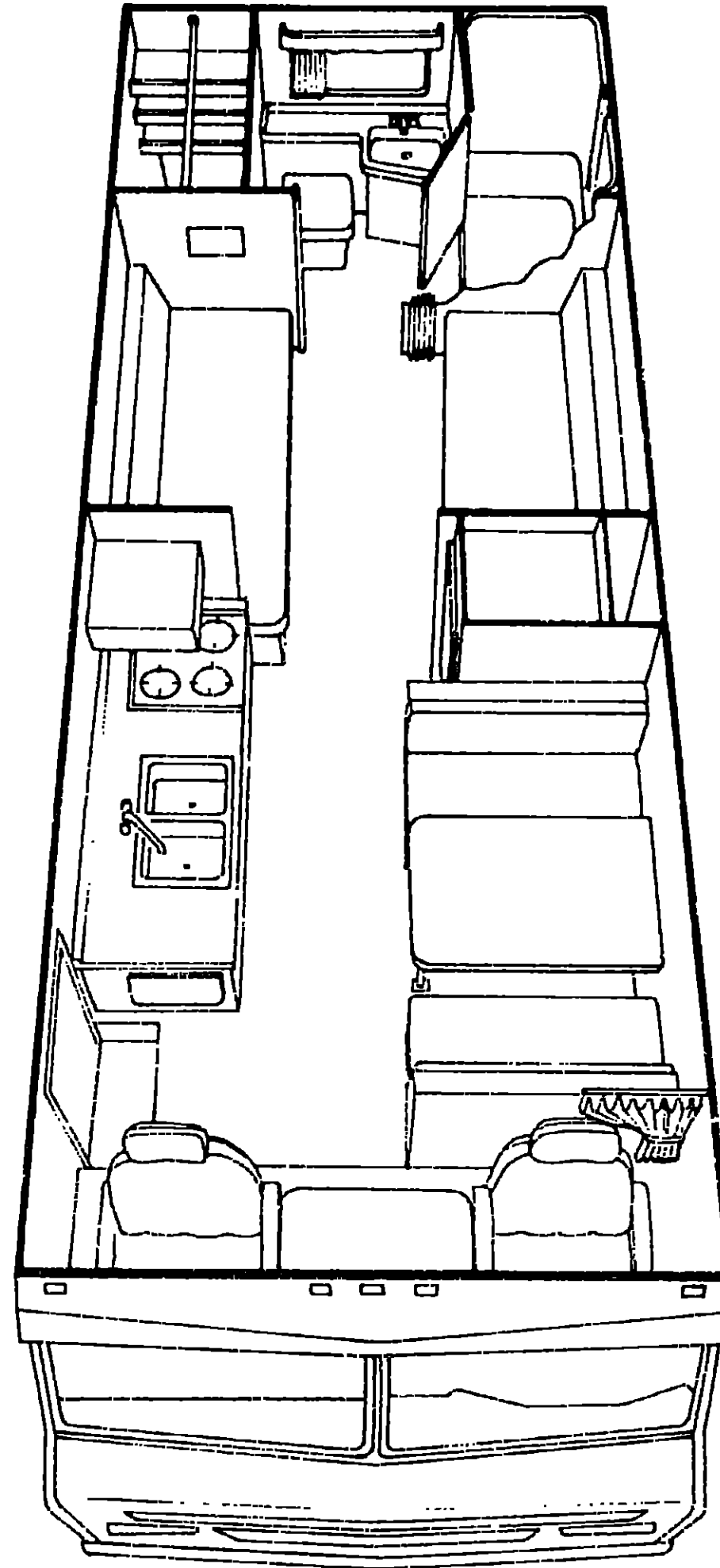


1976 D26CRB



1976 WINNEBAGO TABLE OF CONTENTS

MW25C	A-1 - B-10
MW25CD	B-11 - C-18
MW20RG	C-19 - D-24
MW23RB	E-1 - F-8
MW23RD	F-9 - G-16
D23C	G-17 - I-6
D26CRB	I-7 - J-20
D26CRK	J-21 - L-10

1976 D26CRB INDEX

Floor Plan	I-7 - I-8
Accessories Group	I-9 - I-10
Bath Group	I-11 - I-12
Chassis Group	I-13 - I-14
Curtain, Cushion & Pad Group	I-15 - I-18
Dinette Group	I-19
Driver's Compartment Group	I-19 - I-20
Electrical Group	I-21 - I-22
Exterior Body Group	I-23 - I-24
	J-1 - J-2
Galley Group	J-3
Heating & Air Conditioning Group	J-4
Interior Finish Group	J-5 - J-6
LP Group	J-7
Lounge Group	J-7
Water & Sewage Group	J-8
Window, Vent & Exterior Door Group	J-9 - J-20

ACCESSORIES GROUP

RADIOS AND RELATED ACCESSORIES

Key	Part Number	U/M	Description
	031105-01-700	EA	Clip - Retaining - Side Mount Antenna
	031105-01-000	EA	Antenna - Radio - Side Mount
	039879-01-000	EA	Kit - Radio Speaker - 5 1/4" w/Cover
	049730-01-000	EA	Radio - AM - w/Fader - Clarion
	049731-01-000	EA	Radio - AM/FM/MPX - w/Fader - Clarion
	049732-01-000	EA	Radio - AM/FM/MPX - 8 Track - w/Fader - Clarion
	050044-01-000	EA	Radio - AM/FM/MPX - 8 Track - w/CB - J.I.L.
	048153-01-000	EA	Antenna - CB Camper Style - J.I.L. Radio
	050785-01-000	EA	Switch - Rear Volume Control - J.I.L. Radio
	050751-01-000	EA	Plaque - Fader Switch Mic Mounting
	050465-01-000	EA	Bezel - Entertainment Center - Number 1 - (Radio Only)
	050466-01-000	EA	Bezel - Entertainment Center - Number 2 - (Radio and Clock)

SPEED CONTROLS AND COMPONENTS

Key	Part Number	U/M	Description
	024746-01-000	EA	Speed Control Package - 440 C I D - Dodge - Lever Type - A-Body - Dana
	007255-01-700	EA	Regulator Asm
	024746-01-701	EA	Servo Asm - 440
	024746-01-702	EA	Switch - Engage - Lever - 440
	007255-01-703	EA	Cable Asm - Transmission - 42'
	007255-01-704	EA	Switch Asm - Decelerate
	024746-01-700	EA	Relay - Speed Control
	047841-01-000	EA	Speed Control Package - 360 C I D - Dodge - Lever Type - A-Body - Dana
	047841-01-701	EA	Servo Asm - 360
	047841-01-700	EA	Switch - Engage - Lever - 360

GENERATORS AND INSTALLATION KITS

Key	Part Number	U/M	Description
	037059-01-000	EA	Generator - Onan - 2500 Watt CCK w/Mounting Bolts and Rubber Feet
	044066-01-000	EA	Generator - Onan - 4000 Watt BF w/Mounting Bolts and Rubber Feet
	007058-01-000	EA	Generator - Onan - 5000 Watt CCK w/Mounting Bolts and Rubber Feet
	039237-01-000	EA	Kit - 2500, 4000, 5000 Onan - Installation w/o Bolt Package and Rubber Feet
	007290-01-000	EA	Tailpipe - Generator Exhaust - 1 62" x 17"
	007131-01-000	EA	Hanger - Tailpipe
	024732-01-004	EA	Steel Tubing - 1 5" O D - 18 Gauge x 34"
	007292-01-000	EA	Muffler - Generator
	007125-07-000	EA	Clamp Asm - Muffler - 2 50" Dia.
	007125-01-000	EA	Clamp Asm - Muffler - 1 52" Dia
	007125-03-000	EA	Clamp Asm - Muffler - 1 50" Dia
	042865-01-000	EA	Scoop - Generator - Air
	007067-01-000	SF	Insulation - Fiberglass - 1"
	045226-01-000	EA	Tray - Sliding - Generator
	007059-02-000	EA	Bolt Package
	007059-03-000	EA	Foot - Rubber - Generator Mounting
	031035-01-000	EA	Gauge - Hourmeter
	024976-01-000	EA	Switch - Generator - w/o Circuit Board
	037307-01-000	EA	Switch - Generator - w/o Circuit Board

ACCESSORIES GROUP (CONTINUED)

FRONT BUNK, CABINET, AND HARDWARE

Key	Part Number	U/M	Description
	043219-01-000	EA	Bunk - Front - Overhead - (Board w/Rails)
	042989-01-000	EA	Support Asm - Left and Right - Overhead Bunk - Dark Brown
	040071-01-700	EA	Support Kit - Overhead Bunk - Seat Belt
	006076-01-000	EA	Ladder - Bunk
	042080-01-000	EA	Cabinet - Front Overhead w/o Doors or Hardware
	009148-01-000	EA	Pull - Finger - 3/4" Brass (Sliding Cabinet Door)
	009785-01-000	FT	Track - Sliding Door - Upper - Dark Brown Plastic
	009786-01-000	FT	Track - Sliding - Lower - Dark Brown Plastic
	042964-02-000	EA	Door Asm - Sliding - Front Overhead Bunk Cabinet

MISCELLANEOUS ACCESSORIES

Key	Part Number	U/M	Description
	017516-01-000	EA	Mudflap - Black - 14" x 18" w Holes
	006069-01-000	EA	Case - Leather Key - Motor Home
	007038-01-000	EA	Mat - Door - Black Rubber - 10 1/2" x 26"
	006053-01-000	EA	Antenna - TV - Braun DeLux
	006093-01-000	EA	Jack - TV - Brown (Antenna)
	040899-01-000	EA	Ladder Asm - w Luggage Rack Round
	040899-02-000	EA	Ladder Only - For Rack and Ladder Asm
	006113-01-000	EA	Jack - Hydraulic - 5 Ton
	041344-01-700	EA	Fire Extinguisher w Bracket
	034410-14-000	EA	Cover - Spare Tire w Brown "W" - 32"

1976 WINNEBAGO TABLE OF CONTENTS

MW25C	A-1 - B-10
MW25CD	B-11 - C-18
MW20RG	C-19 - D-24
MW23RB	E-1 - F-8
MW23RD	F-9 - G-16
D23C	G-17 - I-6
D26CRB	I-7 - J-20
D26CRK	J-21 - L-10

1976 D26CRB INDEX

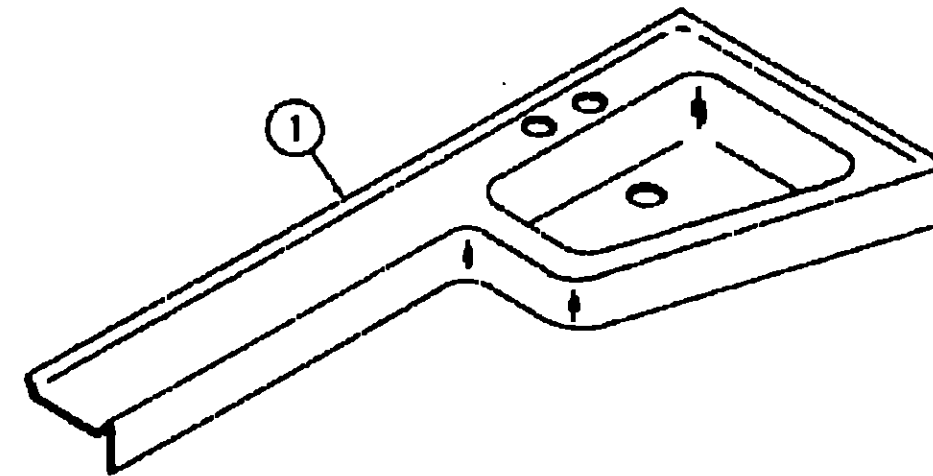
Floor Plan	I-7 - I-8
Accessories Group	I-9 - I-10
Bath Group	I-11 - I-12
Chassis Group	I-13 - I-14
Curtain, Cushion & Pad Group	I-15 - I-18
Dinette Group	I-19
Driver's Compartment Group	I-19 - I-20
Electrical Group	I-21 - I-22
Exterior Body Group	I-23 - I-24
	J-1 - J-2
Galley Group	J-3
Heating & Air Conditioning Group	J-4
Interior Finish Group	J-5 - J-6
LP Group	J-7
Lounge Group	J-7
Water & Sewage Group	J-8
Window, Vent & Exterior Door Group	J-9 - J-20

BATH GROUP

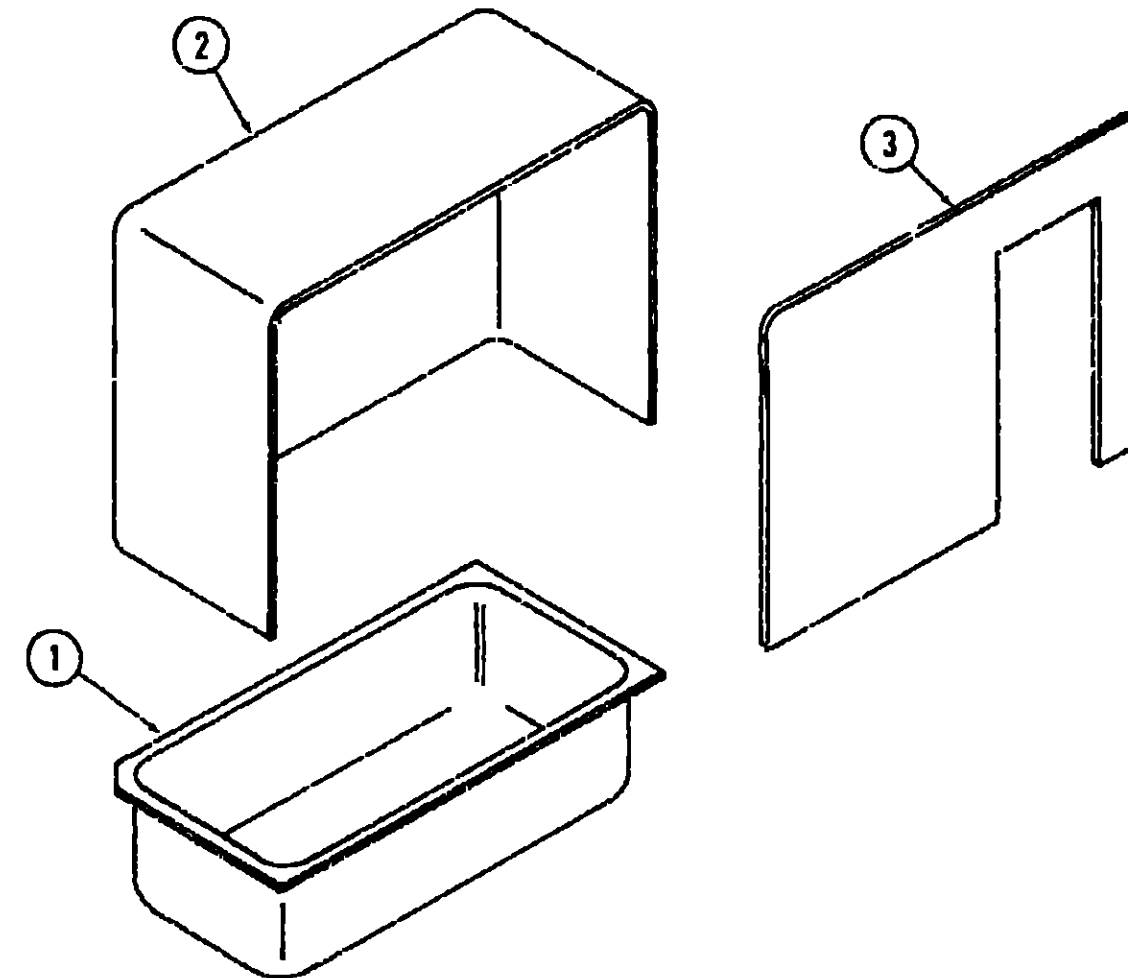
Key	Part Number	U/M	Description
	009133-02-000	EA	Bar - Towel Rack - 18" Plastic
	009134-01-000	EA	Holder - Tissue
	023449-01-000	EA	Support - Towel Rack - Chrome
	034589-03-000	EA	Cover - Screw - PPH 10 - Ivory
	009089-01-000	EA	Clip - Mirror
	009096-01-000	EA	Mirror - Inside - 1/8" x 12" x 42" - Beveled
	009096-02-000	EA	Mirror - Inside - 1/8" x 12" x 35" - Beveled
	009151-01-000	EA	Warp Guard - 48"
	009112-01-000	EA	Flange - 1" Rod - Chrome
	011056-01-000	EA	Faucet - Lavatory
	011083-01-000	EA	Plug - c/o - 1 1/4" x 5" w/Chain and Stop
	011048-01-000	EA	Shower Head - w/60" Hose
	011048-01-700	EA	Vacuum Breaker - 1/8" MPT Nylon Shower Hose
	011070-01-000	EA	Tailpiece - 1 1/4" x 6" - Brass
	011086-01-000	EA	Strainer - Shower Pan
	031558-01-000	EA	Faucet Tub and Shower
	050739-01-000	EA	Door Asm. - Shower
	050080-01-000	FT	Glazing - Vinyl - U Shaped
	050233-01-000	EA	Striker - Jamb - Shower Door
	043556-01-000	EA	Jamb - Shower Door - Bottom
	043567-01-000	EA	Jamb - Shower Door - Right
	043567-02-000	EA	Jamb - Shower Door - Left
	050712-02-000	EA	Handle - Shower Door - Clear Anod
	050482-01-000	EA	Catch - Spring - Roll Point
	042529-02-000	EA	Door Asm - Medicine Cabinet w/o Hardware
	044070-01-000	EA	Cabinet Asm - Vanity w/o Door or Hardware
	042602-12-700	EA	Door Asm - Vanity Cabinet - 15 1/4" x 23" w/o Hardware
	042838-02-700	EA	Drawer - Tiltout - Vanity Cabinet - w/o Hardware
	042488-01-000	EA	Door Folding - Bath - 31 2" x 77 1/8" - Walnut
	042602-10-700	EA	Door Asm - Wardrobe Cabinet - 15" x 56" - Left - w/o Hardware
	044059-01-000	EA	Cabinet Asm - Rear Overhead - w/o Door or Hardware
**	041840-01-000	EA	Toilet - Marine - Aqua Magic III
**	039341-02-000	EA	Toilet - Aqua Magic Model SH - Ivory

**The illustrated parts breakdown for this item is provided on the Common Items Fiche

BATH GROUP (CONTINUED)



Key	Part Number	U/M	Description
1	042175-01-000	EA	Lavatory Top - Ivory Plastic w/o Hardware



Key	Part Number	U/M	Description
1	041826-01-000	EA	Bathtub - Bottom
2	041853-01-000	EA	Bathtub - Rear
3	041852-01-000	EA	Bathtub - Front

1976 WINNEBAGO TABLE OF CONTENTS

MW25C	A-1 - B-10
MW25CD	B-11 - C-18
MW20RG	C-19 - D-24
MW23RB	E-1 - F-8
MW23RD	F-9 - G-16
D23C	G-17 - I-6
D26CRB	I-7 - J-20
D26CRK	J-21 - L-10

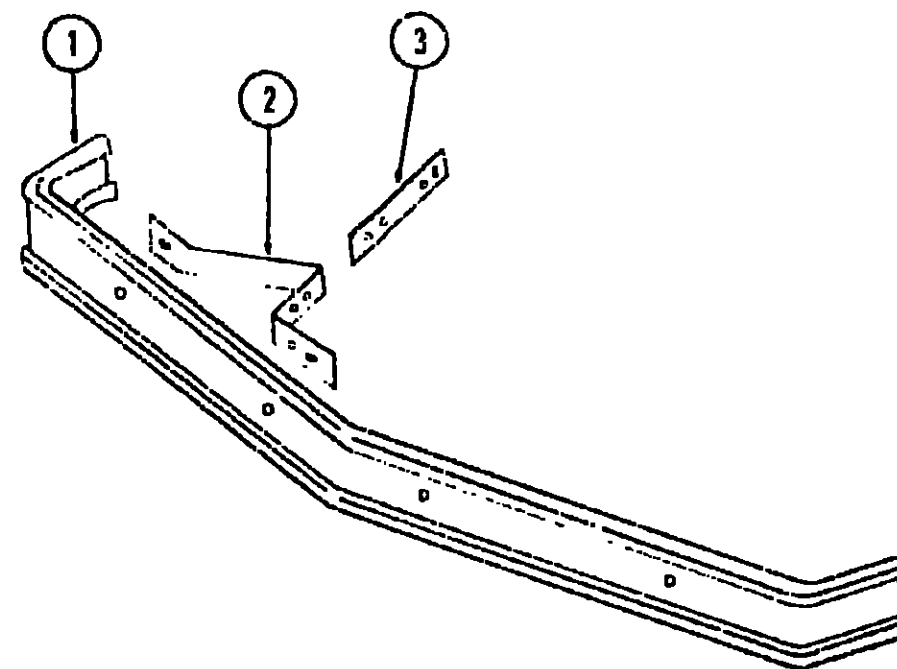
1976 D26CRB INDEX

Floor Plan	I-7 - I-9
Accessories Group	I-9 - I-10
Bath Group	I-11 - I-12
Chassis Group	I-13 - I-14
Curtain, Cushion & Pad Group	I-15 - I-18
Dinette Group	I-19
Driver's Compartment Group	I-19 - I-20
Electrical Group	I-21 - I-22
Exterior Body Group	I-23 - I-24
	J-1 - J-2
Galley Group	J-3
Heating & Air Conditioning Group	J-4
Interior Finish Group	J-5 - J-6
LP Group	J-7
Lounge Group	J-7
Water & Sewage Group	J-8
Window, Vent & Exterior Door Group	J-9 - J-20

CHASSIS GROUP

Key	Part Number	U/M	Description
	024652-01-700	EA	Step - Pull-Out - Entry Door
	045602-01-000	EA	Panel - Headlight - Right
	045603-01-000	EA	Panel - Headlight - Left
	045611-01-000	EA	Hoodboard - Steel - Right
	045611-02-000	EA	Hoodboard - Steel - Left
	024138-01-000	FT	Hose - Fuel - 5/16" I.D. SAE30R1
	033693-01-000	EA	Hose - Fuel - 2" I.D. x 45 50"
	007140-01-000	EA	Clamp - Hose - 2" to 3" Dia
	016253-02-000	EA	Fill - Gas - Single - Beige
	007138-01-000	EA	Clamp 1/4" to 3/4" Dia
	007160-01-000	EA	Gasket 3/16" x 2" x 2" Tire Carcass
	038882-01-000	EA	Tank - Fuel - Aux. 27.8 Gallon
	043896-01-000	EA	Strap - Fuel Tank Mount
	017571-02-000	EA	Support Asm - Auxiliary Fuel Tank
	038883-01-000	EA	Sending Unit - Fuel 7.8 Ohm - Auxiliary Fuel Tank
	045814-01-000	EA	Fill - Gas - w/Vent 4 5"
	024611-01-000	EA	Cap - Gas Pressure 1 50" Black
	035102-01-000	EA	Cover - Rear Radiator
	007131-01-000	EA	Hanger - Tailpipe
	035260-01-000	EA	Wheel Well - Plastic - Black - Left or Right
	007125-01-000	EA	Clamp - Asm - Muffler - 1.62" Dia.
	007249-01-000	EA	Tailpipe - Curved - 2 1/2" x 58"
	007125-07-000	EA	Clamp Asm - Muffler - 2 50" Dia.

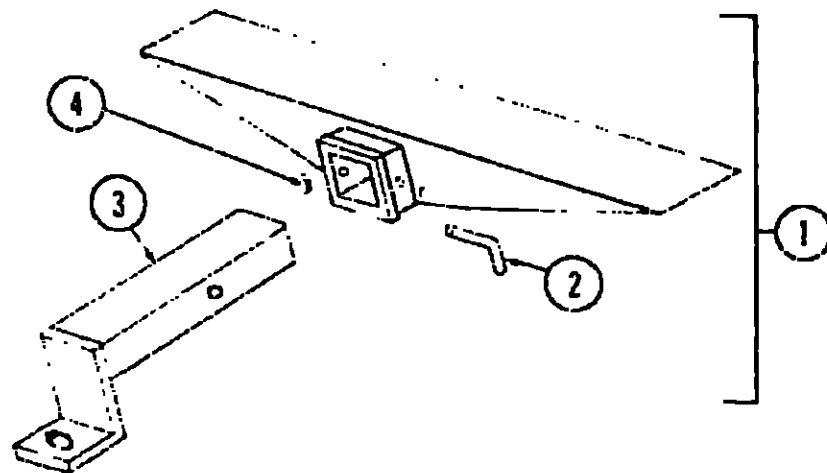
CHASSIS GROUP (CONTINUED)



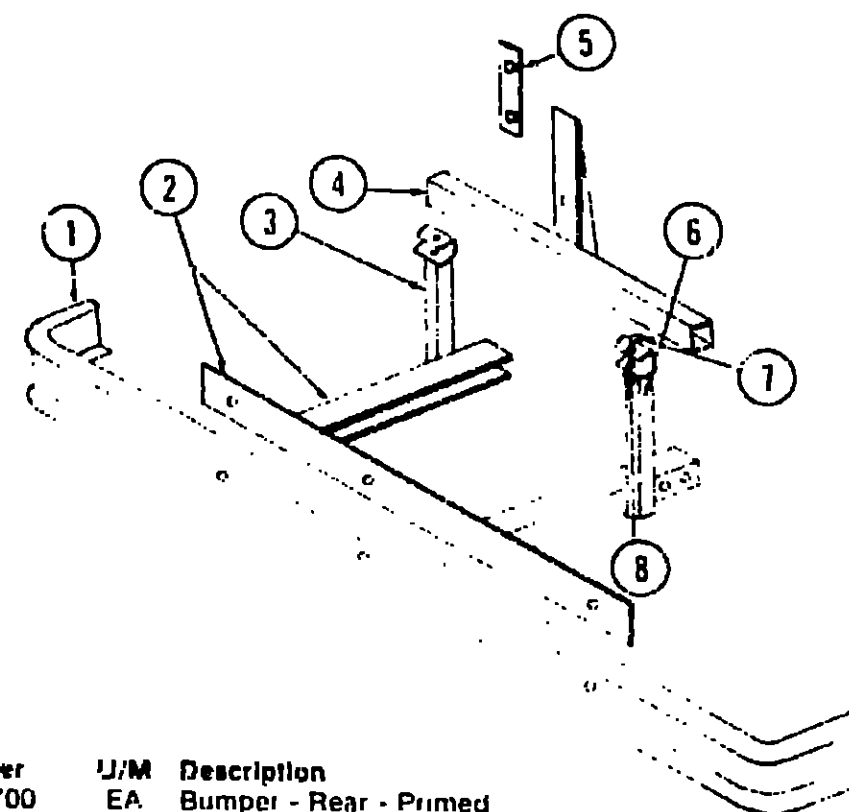
Key	Part Number	U/M	Description
1	020859-01-700	EA	Bumper - Front - Beige Primed
2	023496-03-000	EA	Bracket - Bumper - Beige - Right or Left
3	023520-03-000	EA	Bar - Bumper - Beige - Right or Left

1976 WINNEBAGO TABLE OF CONTENTS

MW25C	A-1 - B-10
MW25CD	B-11 - C-18
MW20RG	C-19 - D-24
MW23RB	E-1 - F-8
MW23RD	F-9 - G-16
D23C	G-17 - I-6
D26CRB	I-7 - J-20
D26CRK	J-21 - L-10



Key	Part Number	U/M	Description
1	023695-01-700	EA	Hitch Kit - w Drawbar
2	034512-01-000	EA	Pin - Locking - Drawbar
3	024876-01-700	EA	Drawbar Asm - Trailer Hitch - Primed
4	034513-01-000	EA	Pin - Hitch - 3/16" Wire Spring



Key	Part Number	U/M	Description
1	020858-01-700	EA	Bumper - Rear - Primed
2	046043-05-000	EA	Bracket Asm - Rear Bumper
3	022445-01-000	EA	Bracket - Tire Carrier - Left
4	016924-02-000	EA	Bracket - Tire Carrier
5	040974-01-000	EA	Retainer - Spare Tire
6	021356-01-000	EA	Bracket - Tire Carrier - Right
7	015365-01-000	EA	Pin - Tire Carrier
8	005522-01-000	EA	Pin - Hitch - 5/32" Wire

1976 D26CRB INDEX

Floor Plan	I-7 - I-8
Accessories Group	I-9 - I-10
Bath Group	I-11 - I-12
Chassis Group	I-13 - I-14
Curtain, Cushion & Pad Group	I-15 - I-18
Dinette Group	I-19
Driver's Compartment Group	I-19 - I-20
Electrical Group	I-21 - I-22
Exterior Body Group	I-23 - I-24
	J-1 - J-2
Galley Group	J-3
Heating & Air Conditioning Group	J-4
Interior Finish Group	J-5 - J-6
LP Group	J-7
Lounge Group	J-7
Water & Sewage Group	J-8
Window, Vent & Exterior Door Group	J-9 - J-20

CURTAIN, CUSHION AND PAD GROUP

CURTAIN, CUSHION AND PAD GROUP (CONTINUED)

CURTAINS

Key	Part Number	U/M	Description
041904-13-000	EA	Curtain - Pleated w/Snap - Right - 25" x 52" - Citrus Green	
041904-14-000	EA	Curtain - Pleated w/Snap - Right - 25" x 52" - Aztec Gold	
041904-15-000	EA	Curtain - Pleated w/Snap - Right - 25" x 52" - Autumn Rust	
041905-13-000	EA	Curtain - Pleated w/Snap - Left - 25" x 52" - Citrus Green	
041905-14-000	EA	Curtain - Pleated w/Snap - Left - 25" x 52" - Aztec Gold	
041905-15-000	EA	Curtain - Pleated w/Snap - Left - 25" x 52" - Autumn Rust	
043120-13-000	EA	Curtain - w/Snap Top - 32" x 33" - Citrus Green	
043120-19-000	EA	Curtain - w/Snap Top - 32" x 33" - Aztec Gold	
043120-20-000	EA	Curtain - w/Snap Top - 32" x 33" - Autumn Rust	
041904-10-000	EA	Curtain - Pleated w/Snaps - Right - 25" x 33" - Citrus Green	
041904-11-000	EA	Curtain - Pleated w/Snaps - Right - 25" x 33" - Aztec Gold	
041901-12-000	EA	Curtain - Pleated w/Snaps - Right - 25" x 33" - Autumn Rust	
041905-10-000	EA	Curtain - Pleated w/Snaps - Left - 25" x 33" - Citrus Green	
041905-11-000	EA	Curtain - Pleated w/Snaps - Left - 25" x 33" - Aztec Gold	
041905-12-000	EA	Curtain - Pleated w/Snaps - Left - 25" x 33" - Autumn Rust	
039928-06-000	EA	Curtain - w/Snap - 24" x 45" - Citrus Green	
039928-07-000	EA	Curtain - w/Snap - 24" x 45" - Aztec Gold	
039928-08-000	EA	Curtain - w/Snap - 24" x 45" - Autumn Rust	
033315-56-000	EA	Curtain - Privacy - 65" x 42" - Citrus Green	
033315-57-000	EA	Curtain - Privacy - 65" x 42" - Aztec Gold	
033315-58-000	EA	Curtain - Privacy - 65" x 42" - Autumn Rust	
033311-25-000	EA	Curtain - Blackout - 56" x 96" - Bostonian Brown	
033311-13-000	EA	Curtain - Blackout - 34" x 89" - Bostonian Brown	
041243-10-000	EA	Curtain - Wraparound - Right - 25" x 106" - Citrus Green	
041243-11-000	EA	Curtain - Wraparound - Right - 25" x 106" - Aztec Gold	
041243-12-000	EA	Curtain - Wraparound - Right - 25" x 106" - Autumn Rust	
041244-10-000	EA	Curtain - Wraparound - Left - 25" x 106" - Citrus Green	
041244-11-000	EA	Curtain - Wraparound - Left - 25" x 106" - Aztec Gold	
041244-12-000	EA	Curtain - Wraparound - Left - 25" x 106" - Autumn Rust	

TIE BACKS AND VALANCES

Key	Part Number	U/M	Description
031843-36-000	EA	Tie Back - Curtain - 16" - Citrus Green	
031843-37-000	EA	Tie Back - Curtain - 16" - Aztec Gold	
031843-38-000	EA	Tie Back - Curtain - 16" - Autumn Rust	
031843-39-000	EA	Tie Back - Curtain - 16" - Bostonian Brown Vinyl	
041291-57-000	EA	Valance w/Header - 5 5" x 76" - Citrus Green	
041291-58-000	EA	Valance w/Header - 5 5" x 76" - Aztec Gold	
041291-59-000	EA	Valance w/Header - 5 5" x 76" - Autumn Rust	
041291-60-000	EA	Valance w/Header - 5 5" x 42" - Citrus Green	
041291-61-000	EA	Valance w/Header - 5 5" x 42" - Aztec Gold	
041291-62-000	EA	Valance w/Header - 5 5" x 42" - Autumn Rust	
041291-27-000	EA	Valance w/Header - 5 5" x 36" - Citrus Green	
041291-28-000	EA	Valance w/Header - 5 5" x 36" - Aztec Gold	
041291-29-000	EA	Valance w/Header - 5 5" x 36" - Autumn Rust	

MATTRESSES

Key	Part Number	U/M	Description
041914-04-000	EA	Mattress - Flexsteel Bunk - 42" x 79" x 4" - Green	
041914-05-000	EA	Mattress - Flexsteel Bunk - 42" x 79" x 4" - Gold	
041914-06-000	EA	Mattress - Flexsteel Bunk - 42" x 79" x 4" - Rust	
031511-08-000	EA	Mattress - 2 - Fold - Gold Ticking	

CURTAIN HARDWARE

Key	Part Number	U/M	Description
009107-01-000	EA	Guide - Nylon - Snap	
009701-01-000	EA	Carrier - Curtain	
009702-01-000	EA	End Stop - Curtain Track (used with "L" Rod)	
029100-01-050	EA	Hook - Curtain (Privacy Curtain)	
009136-01-000	EA	Hook - Shower Curtain	
050826-01-000	EA	Track - Wraparound Curtain - Right	
050826-02-000	EA	Track - Wraparound Curtain - Left	
037872-01-000	EA	Rod - Double Curtain Flat - Extends 48" - 84"	
037872-03-000	EA	Rod - Double Curtain Flat - Extends 28" - 48"	
018031-42-000	EA	Track - Curtain - "L" Rod - 90" Alum	
052327-04-236	EA	Curtain Track - Alum - Brown	
009223-02-000	EA	Rod - Curtain - Flat - Extends 48" - 84"	
009224-01-000	EA	Rod - Curtain - Flat - Extends 28" - 48"	
042439-01-000	EA	Bracket - Curtain Rod - Single	



Key	Part Number	U/M	Description
1	029130-01-000	EA	Socket - Snap Fastener (Tie Backs)
2	029155-01-000	EA	Cap - Snap 1 5/8" Dia x 1 7/8" Barrel (Tie Backs)
3	029156-01-000	EA	Socket - Snap Fastener (Tie Backs)
4	029092-01-000	EA	Stud - Nickel Finish (Curtains)
5	029093-01-000	EA	Eyelet - Nickel Finish (Curtains)

DINETTE CUSHIONS

Key	Part Number	U/M	Description
041910-04-000	EA	Cushion - Waterfall Style - 23" x 38" x 5" - Citrus Green	
041910-05-000	EA	Cushion - Waterfall Style - 23" x 38" x 5" - Aztec Gold	
041910-06-000	EA	Cushion - Waterfall Style - 23" x 38" x 5" - Autumn Rust	
041910-04-004	EA	Cover - Cushion - Waterfall Style - 23" x 38" x 5" - Citrus Green	
041910-05-005	EA	Cover - Cushion - Waterfall Style - 23" x 38" x 5" - Aztec Gold	
041910-06-006	EA	Cover - Cushion - Waterfall Style - 23" x 38" x 5" - Autumn Rust	
041910-64-000	EA	Cushion - Waterfall Style - 13 5" x 38" x 5" - Citrus Green	
041910-65-000	EA	Cushion - Waterfall Style - 13 5" x 38" x 5" - Aztec Gold	
041910-66-000	EA	Cushion - Waterfall Style - 13 5" x 38" x 5" - Autumn Rust	
041910-64-064	EA	Cover - Cushion - Waterfall Style - 13 5" x 38" x 5" - Citrus Green	
041910-65-065	EA	Cover - Cushion - Waterfall Style - 13 5" x 38" x 5" - Aztec Gold	
041910-66-066	EA	Cover - Cushion - Waterfall Style - 13 5" x 38" x 5" - Autumn Rust	

**1976 WINNEBAGO
TABLE OF CONTENTS**

MW25C	A-1 - B-10
MW25CD	B-11 - C-18
MW20RG	C-19 - D-24
MW23RB	E-1 - F-8
MW23RD	F-9 - G-16
D23C	G-17 - I-6
D26CRB	I-7 - J-20
D26CRK	J-21 - L-10

**1976 D26CRB
INDEX**

Floor Plan	I-7 - I-8
Accessories Group	I-9 - I-10
Bath Group	I-11 - I-12
Chassis Group	I-13 - I-14
Curtain, Cushion & Pad Group	I-15 - I-18
Dinette Group	I-19
Driver's Compartment Group	I-19 - I-20
Electrical Group	I-21 - I-22
Exterior Body Group	I-23 - I-24
	J-1 - J-2
Galley Group	J-3
Heating & Air Conditioning Group	J-4
Interior Finish Group	J-5 - J-6
LP Group	J-7
Lounge Group	J-7
Water & Sewage Group	J-8
Window, Vent & Exterior Door Group	J-9 - J-20

CURTAIN, CUSHION AND PAD GROUP (CONTINUED)

BUCKET SEATS, ARMRESTS AND HEADRESTS

Key	Part Number	U/M	Description
	042272-04-000	EA	Seat Asm. - Single Bucket - w/Skirt - w/o Slides, Armrest or Headrest - Citrus Green
	042272-05-000	EA	Seat Asm. - Single Bucket - w/Skirt - w/o Slides, Armrest or Headrest - Aztec Gold
	042272-06-000	EA	Seat Asm. - Single Bucket - w/Skirt - w/o Slides, Armrest or Headrest - Autumn Rust
	042272-04-001	EA	Cover - Single Bucket Seat - Bottom - Citrus Green
	042272-05-001	EA	Cover - Single Bucket Seat - Bottom - Aztec Gold
	042272-06-001	EA	Cover - Single Bucket Seat - Bottom - Autumn Rust
	042272-04-002	EA	Cover - Single Bucket Seat - Back - Citrus Green
	042272-05-002	EA	Cover - Single Bucket Seat - Back - Aztec Gold
	042272-06-002	EA	Cover - Single Bucket Seat - Back - Autumn Rust
	042426-04-000	EA	Skirt - Single Bucket Seat - Citrus Green
	042426-05-000	EA	Skirt - Single Bucket Seat - Aztec Gold
	042426-06-000	EA	Skirt - Single Bucket Seat - Autumn Rust
	042274-04-000	EA	Seat Asm. - Double Bucket - w/Skirt w/o Armrest or Headrest - Citrus Green
	042274-05-000	EA	Seat Asm. - Double Bucket - w/Skirt w/o Armrest or Headrest - Aztec Gold
	042274-06-000	EA	Seat Asm. - Double Bucket - w/Skirt w/o Armrest or Headrest - Autumn Rust
	042274-04-001	EA	Cover - Double Bucket Seat - Bottom - Citrus Green
	042274-05-001	EA	Cover - Double Bucket Seat - Bottom - Aztec Gold
	042274-06-001	EA	Cover - Double Bucket Seat - Bottom - Autumn Rust
	042274-04-002	EA	Cover - Double Bucket Seat - Back - Citrus Green
	042274-05-002	EA	Cover - Double Bucket Seat - Back - Aztec Gold
	042274-06-002	EA	Cover - Double Bucket Seat - Back - Autumn Rust
	042427-04-000	EA	Skirt - Double Bucket Seat - Citrus Green
	042427-05-000	EA	Skirt - Double Bucket Seat - Aztec Gold
	042427-06-000	EA	Skirt - Double Bucket Seat - Autumn Rust
	029136-01-000	EA	Grommet - Headrest - Brown Nylon
	031133-01-000	EA	Protector - Driver Seat - 6" Brown Plastic
	040494-01-000	EA	Armrest Asm. - Foam w/o Cover - Right - Style #1
	040494-02-000	EA	Armrest Asm. - Foam w/o Cover - Left - Style #1
	040492-06-005	EA	Armrest Cover - Citrus Green
	040492-07-007	EA	Armrest Cover - Aztec Gold
	040492-08-008	EA	Armrest Cover - Autumn Rust
	033905-12-000	EA	Headrest Asm. - Citrus Green
	033905-13-000	EA	Headrest Asm. - Aztec Gold
	033905-14-000	EA	Headrest Asm. - Autumn Rust
	050275-01-700	EA	Armrest Asm. - Foam w/o Cover - Right - Style #2
	050275-01-700	EA	Armrest Asm. - Foam w/o Cover - Left - Style #2

NOTE:

A production change was made in the armrest. When ordering, you must first determine which style is required. Measure up ten inches from the bottom of the seat frame. If you feel (through the upholstery) a collar protruding outward approximately 1/2", you should order style two. Order style one if no protrusion is noted.

CURTAIN, CUSHION AND PAD GROUP (CONTINUED)

LOUNGE CUSHIONS

Key	Part Number	U/M	Description
	041910-10-000	EA	Cushion - Waterfall Style - 32" x 75" x 5" - Citrus Green
	041910-11-000	EA	Cushion - Waterfall Style - 32" x 75" x 5" - Aztec Gold
	041910-12-000	EA	Cushion - Waterfall Style - 32" x 75" x 5" - Autumn Rust
	041910-10-010	EA	Cover - Cushion - Waterfall Style - 32" x 75" x 5" - Citrus Green
	041910-11-011	EA	Cover - Cushion - Waterfall Style - 32" x 75" x 5" - Aztec Gold
	041910-12-012	EA	Cover - Cushion - Waterfall Style - 32" x 75" x 5" - Autumn Rust
	041913-04-000	EA	Cushion - Bolster - 7" x 10" x 12" x 37.5" - Citrus Green
	041913-05-000	EA	Cushion - Bolster - 7" x 10" x 12" x 37.5" - Aztec Gold
	041913-06-000	EA	Cushion - Bolster - 7" x 10" x 12" x 37.5" - Autumn Rust
	041913-04-004	EA	Cover - Bolster - 7" x 10" x 12" x 37.5" - Citrus Green
	041913-05-005	EA	Cover - Bolster - 7" x 10" x 12" x 37.5" - Aztec Gold
	041913-06-006	EA	Cover - Bolster - 7" x 10" x 12" x 37.5" - Autumn Rust

FABRICS AND TRIMS

Key	Part Number	U/M	Description
	047855-01-000	EA	Fabric - Upholstery - Citrus Green
	047855-02-000	YD	Fabric - Upholstery - Aztec Gold
	046743-03-000	YD	Fabric - Upholstery - Autumn Rust
	042411-01-000	YD	Vinyl - Nonexpanded - 27 Ounce - Bostonian Brown Berkshire
	042411-02-000	YD	Vinyl - Expanded - 28 Ounce Bostonian Brown Berkshire
	042411-03-000	YD	Vinyl - Nonsupported - 16 Gauge - Bostonian Brown Berkshire
	042414-01-000	FT	Trim Accent - Bostonian Brown Vinyl
	041209-01-000	YD	Fabric - Drapery - Citrus Green
	041209-02-000	YD	Fabric - Drapery - Aztec Gold
	041209-03-000	YD	Fabric - Drapery - Autumn Rust
	023631-05-000	EA	Button - Bostonian Berkshire

PADS

Key	Part Number	U/M	Description
	023486-13-000	EA	Pad Asm. - Dinette Frame - Boston Berkshire
	042945-03-000	EA	Pad Asm. - A Post - Right
	042945-04-000	EA	Pad Asm. - A Post - Left

**1976 WINNEBAGO
TABLE OF CONTENTS**

MW25C	A-1 - B-10
MW25CD	B-11 - C-16
MW20RG	C-19 - D-24
MW23RB	E-1 - F-8
MW23RD	F-9 - G-16
D23C	G-17 - I-6
D26CRB	I-7 - J-20
D26CRK	J-21 - L-10

**1976 D26CRB
INDEX**

Floor Plan	I-7 - I-8
Accessories Group	I-9 - I-10
Bath Group	I-11 - I-12
Chassis Group	I-13 - I-14
Curtain, Cushion & Pad Group	I-15 - I-18
Dinette Group	I-19
Driver's Compartment Group	I-19 - I-20
Electrical Group	I-21 - I-22
Exterior Body Group	I-23 - I-24
	J-1 - J-2
Galley Group	J-3
Heating & Air Conditioning Group	J-4
Interior Finish Group	J-5 - J-6
LP Group	J-7
Lounge Group	J-7
Water & Sewage Group	J-8
Window, Vent & Exterior Door Group	J-9 - J-20

DINETTE GROUP

Key	Part Number	U/M	Description
	043629-01-700	EA	Table Asm - Dinette w/o Hardware - Green
	043629-02-700	EA	Table Asm - Dinette w/o Hardware - Gold
	043629-03-700	EA	Table Asm - Dinette w/o Hardware - Rust
	047842-01-000	EA	Kit - Table Leg - Dinette - Brown
	047809-01-000	EA	Kit - Hardware - Wall Mount - Dinette Table
	044047-01-000	EA	Back - Front Dinette Seat
	045035-01-000	EA	Back - Rear Dinette Seat
	044760-01-000	EA	Seat - Front Dinette
	044759-01-000	EA	Seat - Rear Dinette
	042602-44-700	EA	Door Asm - Dinette Seat Cabinet - w/o Hardware
	044048-01-000	EA	Cabinet Asm - Dinette Overhead - w/o Doors or Hardware
	042600-01-700	EA	Door Asm - Dinette Overhead Cabinet - w/o Hardware
	042723-01-000	EA	End Cap - Dinette Overhead Cabinet
	023486-13-000	EA	Pad - Dinette Frame - Bostonian Brown
	023531-05-000	EA	Button - Dinette Pad - Bostonian Brown

DRIVER'S COMPARTMENT GROUP

BUCKET SEAT PEDESTAL AND SEAT BELT

Key	Part Number	U/M	Description
	007019-01-000	EA	Belt Asm - Seat - 2" x 84" - Black
	041322-01-000	EA	Washer - Flat - 15 32" I D 2 3 8" O D - Seat Belt
	041459-01-000	EA	Pedestal Top - Single Seat
	041460-01-000	EA	Pedestal - Top - Double Seat
	041654-01-000	EA	Pedestal Base - Single and Double - w/Tightener
	039832-01-000	EA	Rod - Seat Adjuster
	007223-01-000	EA	Adjuster Asm - Seat w Lock
	007227-01-000	EA	Adjuster Asm - Seat w o Lock

DASH PANEL AND COMPONENTS

Key	Part Number	U/M	Description
	031623-07-000	EA	Dash Asm - Chieftain - Complete w Gauges and Switches
	022545-03-000	EA	Pad - Dash - Foam - Right - Dark Brown
	023242-05-000	EA	Pad - Dash - Foam - Left - Dark Brown
	022219-01-000	EA	Door - Glove Compartment
	009718-01-000	EA	Lock - Twist w/Nut
	023592-01-000	EA	Box - Glove Compartment - Black Fiberboard
	009066-01-000	EA	Hinge - Continuous - Alum 11-16" x 72" - Plain
	034309-01-000	EA	Chain - Bead - Glove Box Door
	023934-01-000	EA	Panel - Knee Kick - (Bottom of Dash)
	024418-01-000	EA	Lamp Asm - Map/Gauge
	007308-01-000	EA	Clock - Dash
	007037-01-000	EA	Lighter Asm - Cigarette - 12 Volt
	007041-01-000	EA	Bezel - Cigarette Lighter
	024979-01-000	EA	Bezel - Entertainment Center
	007011-01-000	EA	Louver - Chrome - w/Chrome Vinyl
	022547-01-000	EA	Bezel - Panel - Control
	023020-01-000	EA	Lamp Asm - Left Side
	039044-01-000	EA	Louver Asm - A/C Adjustable
	040535-01-000	EA	Bracket Asm - Shift Lever
	042951-01-000	EA	Nameplate - Chieftain - Brown/Silver

DRIVER'S COMPARTMENT GROUP (CONTINUED)

DASH SWITCHES AND GAUGES

Key	Part Number	U/M	Description
	024907-01-000	EA	Control Asm - Heater - A/C - 3 Speed
	024461-01-000	EA	Switch - Battery
	024463-01-000	EA	Switch - Binker
	024464-01-000	EA	Switch - Washer
	024465-01-000	EA	Switch - Fuel
	024467-01-000	EA	Switch - Wiper
	024459-01-000	EA	Gauge Asm - Voltmeter
	024460-01-000	EA	Gauge - Vacuum Dash
	024462-01-000	EA	Switch - Battery Condition
	031035-01-000	EA	Gauge - Hourmeter - Generator
	024976-01-000	EA	Switch - Generator w o Circuit Board
	037397-01-000	EA	Switch - Generator w Circuit Board
	024990-02-000	EA	Outlet - Defroster - w Swivel - 2" - Dark Brown
	031376-01-000	EA	Heater - Control Asm - 2 Speed

FRONT BUNK, CABINET AND HARDWARE

Key	Part Number	U/M	Description
	043219-01-000	EA	Bunk - Front - Overhead - (Board w Rails)
	042988-01-000	EA	Support Asm - Left and Right - Overhead Bunk - Dark Brown
	040071-01-700	EA	Support Kit - Overhead Bunk - Seat Belt
	006076-01-000	EA	Ladder - Bunk
	042080-01-700	EA	Cabinet - Front Overhead w/o Doors or Hardware
	009148-01-000	EA	Pull - Finger - 3/4" Brass (Sliding Cabinet Door)
	009785-01-000	FT	Track - Sliding Door - Upper - Dark Brown Plastic
	009786-01-000	FT	Track - Sliding - Lower - Dark Brown Plastic
	042964-02-000	EA	Door Asm - Sliding - Front Overhead Bunk Cabinet

MISCELLANEOUS DRIVER'S COMPARTMENT COMPONENTS

Key	Part Number	U/M	Description
	048583-01-000	EA	Tray - Beverage
	048670-01-000	EA	Track Asm - Beverage (2 per tray)
	034800-01-000	EA	Cover - Motor - Plastic
	039857-01-000	EA	Latch - Rubber - Draw Handle - 5 3/4" w Strike (Motor Cover)
	039856-01-000	EA	Latch - Rubber - Draw Handle - 3" w Strike (Motor Cover)
	035368-02-000	EA	Seal - Motor Cover - (Aluminum Extr)
	040519-01-000	EA	Boot - Rubber - Steering Column
	040520-01-000	EA	Boot - Retainer - Steering Column
	034499-01-000	EA	Support - Dimmer Switch
	022758-04-000	EA	Sunvisor Asm - Right Bostonian
	022759-06-000	EA	Sunvisor Asm - Left Bostonian
	041842-01-000	EA	Clip - Sunvisor Rod - Brown Plastic
	009143-01-000	EA	Mirror - Sunvisor
	007278-01-000	EA	Mirror - Rear View
	036414-01-000	EA	Asmtray
	043699-01-000	EA	Panel - Side - Interior - Left - Plastic
	044700-01-000	EA	Panel - Side - Interior - Right - Plastic

1976 WINNEBAGO TABLE OF CONTENTS

MW25C	A-1 - B-10
MW25CD	B-11 - C-18
MW20RG	C-19 - D-24
MW23RB	E-1 - F-8
MW23RD	F-9 - G-16
D23C	G-17 - I-6
D26CRB	I-7 - J-20
D26CRK	J-21 - L-10

1976 D26CRB INDEX

Floor Plan	I-7 - I-8
Accessories Group	I-9 - I-10
Bath Group	I-11 - I-12
Chassis Group	I-13 - I-14
Curtain, Cushion & Pad Group	I-15 - I-16
Dinette Group	I-19
Driver's Compartment Group	I-19 - I-20
Electrical Group	I-21 - I-22
Exterior Body Group	I-23 - I-24
	J-1 - J-2
Galley Group	J-3
Heating & Air Conditioning Group	J-4
Interior Finish Group	J-5 - J-6
LP Group	J-7
Lounge Group	J-7
Water & Sewage Group	J-8
Window, Vent & Exterior Door Group	J-9 - J-20

ELECTRICAL GROUP

BULBS

Key	Part Number	U/M	Description
	037935-01-000	EA	Bulb - 1157
	038010-01-000	EA	Bulb - 1143
	008103-01-000	EA	Bulb - 53
	008213-01-000	EA	Bulb - 57
	008214-01-000	EA	Bulb - 67
	008215-01-000	EA	Bulb - 1003
	008216-01-000	EA	Bulb - 1034
	008217-01-000	EA	Bulb - 1073
	008218-01-000	EA	Bulb - 1141
	008219-01-000	EA	Bulb - 656
	008220-01-000	EA	Bulb - 12V - 25W
	036196-01-000	EA	Bulb - 194
	700020-01-000	EA	Bulb - 12V - 20W - 1383

EXTERIOR LIGHTS

Key	Part Number	U/M	Description
	031054-02-000	EA	Lamp Asm. - Tail - Left - Beige
	031055-02-000	EA	Lamp Asm. - Tail - Right - Beige
	039965-01-000	EA	Clearance Light - Round - Red
	039866-01-000	EA	Clearance Light - Round - Amber
	033748-01-000	EA	Light - Clearance - Oval - Amber
	033748-02-000	EA	Light - Clearance - Oval - Red

INTERIOR LIGHTS

Key	Part Number	U/M	Description
	024418-01-000	EA	Lamp Asm. - Map/Gauge/Aisle
	024473-01-000	EA	Light - Aircraft - 1 Bulb - Gold
	033508-01-000	EA	Light - Dome - Ivory - 1 Bulb
	024642-01-701	EA	Lens - Dome - Light - 1 Bulb
	033509-01-000	EA	Light - Dome - Ivory - 2 Bulb
	024643-01-701	EA	Lens - Dome Light - 2 Bulb

FUSES AND CIRCUIT BREAKERS

Key	Part Number	U/M	Description
	008233-01-000	EA	Fuse - 12 Volt - 6 Amp.
	008234-01-000	EA	Fuse - 12 Volt - 10 Amp.
	008235-01-000	EA	Fuse - 12 Volt - 15 Amp
	008236-01-000	EA	Fuse - 12 Volt - 20 Amp.
	008248-01-000	EA	Fuse - 110 Volt - 30 Amp. - AGU
	008252-01-000	EA	Fuse - 110 Volt - 50 Amp
	008209-01-000	EA	Circuit Breaker - 12 Volt - 40 Amp
	008211-01-000	EA	Circuit Breaker - 12 Volt - 6 Amp
	008269-01-000	EA	Circuit Breaker - 12 Volt - 30 Amp w/Mount
	033573-01-000	EA	Circuit Breaker - 12 Volt - 20 Amp w/Mount
	040051-01-000	EA	Circuit Breaker - 110 Volt - 20 Amp - TOL

ELECTRICAL GROUP (CONTINUED)

WINDSHIELD WIPER AND WASHER

Key	Part Number	U/M	Description
	007029-01-000	EA	Washer - Electric - Windshield
	037997-01-000	EA	Arm - Windshield Wiper - 15"
	037998-01-000	EA	Link Asm. - Connecting - 22.40" Long
	037999-01-000	EA	Motor Asm. - Windshield Wiper
	038000-01-000	EA	Blade - Windshield Wiper - 16"
	038001-01-000	EA	Shaft and Pivot Asm. - 2.25" Arm
	700073-05-000	EA	Pump and Cover Asm. - Windshield Washer
	700073-04-000	EA	Reservoir Only - Water - Windshield Washer
	700073-02-000	EA	Washer Nozzle Hardware Package

WIRE, SWITCHES, AND RECEPTACLES

Key	Part Number	U/M	Description
	008024-01-000	FT	Wire - 18.5 Bonded - Orange/White/Yellow/Blue/Brown
	008025-01-000	FT	Wire - 18.5 Bonded - Orange/White/Yellow/Blue/Green
	008028-01-000	FT	Wire - 18.5 Bonded - Blue/Red/Yellow/Orange/White
	008030-01-000	FT	Wire - 18.5 Bonded
	008251-01-000	EA	Holder - Fuse - Black - Screw Type
	008277-01-000	EA	Holder - Fuse - Black - Panel Mount
	008195-01-000	EA	Switch - Push Button - 12 Volt
	005077-01-000	EA	Plaque - Compressor Switch
	008054-01-000	EA	Cord - Power - 10-3 30 Amp - 25' - UL
	034818-04-000	EA	Holder - Receptacle - Plastic
	039338-01-000	EA	Cover Plate - Receptacle - Plastic - Brown
	039342-01-000	EA	Receptacle - Duplex Brown - T Junction
	024571-01-000	EA	Cover Plate - Receptacle - Jumbo Steel Brown
	039343-01-000	EA	Cap - End - Receptacle
	008162-01-000	EA	Switch - Double Toggle - Spade Brown
	008163-01-000	EA	Switch - Toggle Brown
	008164-01-000	EA	Cover Plate - Switch - Brown
	024924-01-000	EA	Receptacle - Power Cord
	008058-01-000	EA	Adaptor - Power Cord
	047353-01-000	EA	Cover - Receptacle - Ground Fault
	047351-01-000	EA	Receptacle - Ground Fault Interrupter - 125 Volt, Black

MISCELLANEOUS ELECTRICAL COMPONENTS

Key	Part Number	U/M	Description
	047338-01-000	EA	Isolator - Dual Battery
	047389-01-700	EA	Battery - 12 Volt - 105 Amp Deep Cycle - Dry
	008188-01-000	EA	Solenoid - Dual Battery - Relay
	046775-01-000	EA	Valve - Gas - Change Over
	039950-02-000	EA	Control Center - 30 Amp w/Door - UL
	024417-01-000	EA	Panel - Control - Water Double Sewage - Wemac
	039861-01-000	EA	Sending Unit Kit - Wemac
	024459-01-000	EA	Gauge - Voltmeter
	024462-01-000	EA	Switch - Battery Condition
	031035-01-000	EA	Gauge - Hour Meter - Generator
	024976-01-000	EA	Switch - Generator w/o Circuit Board
	024460-01-000	EA	Gauge - Vacuum

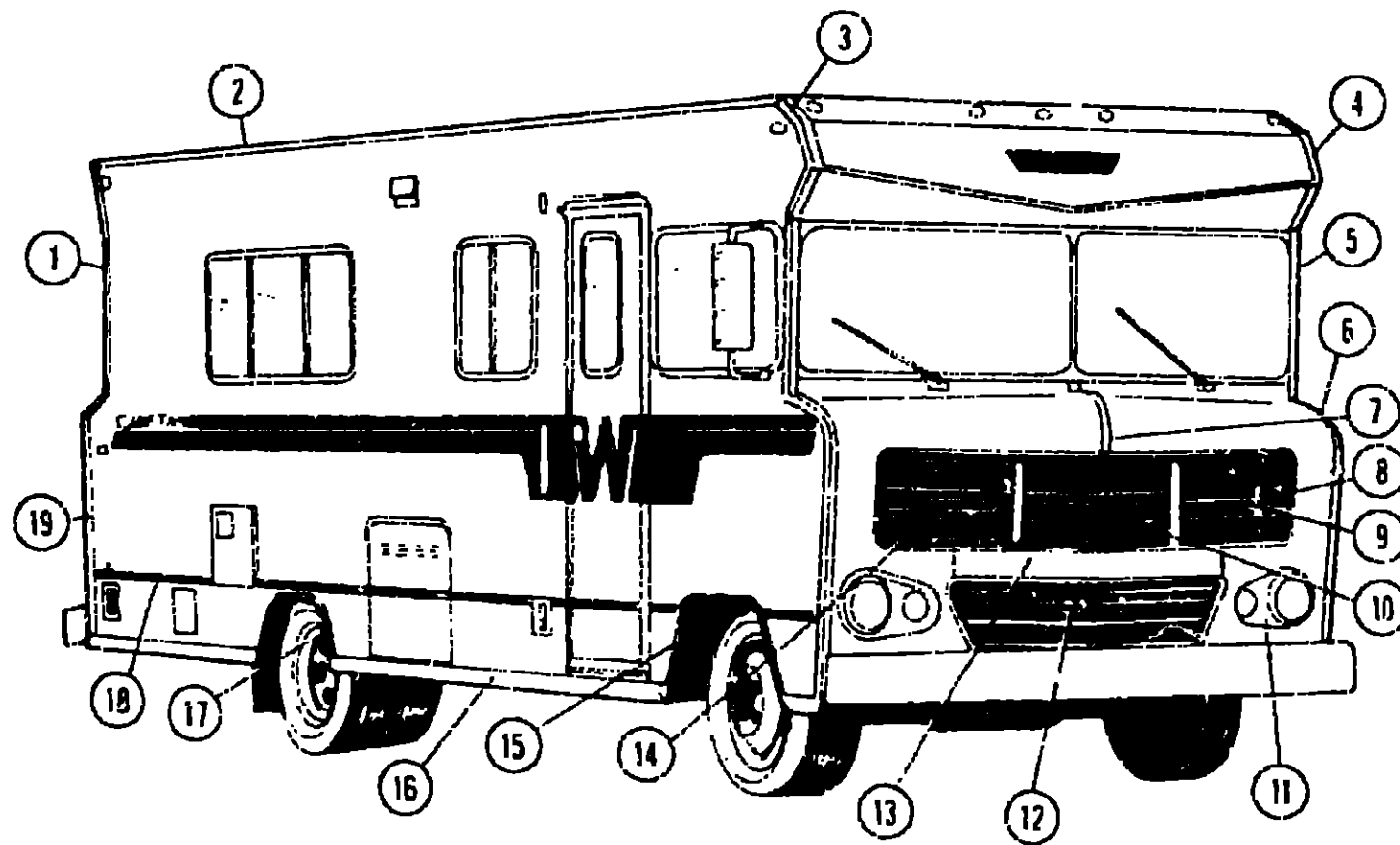
1976 WINNEBAGO TABLE OF CONTENTS

MW25C	A-1 - B-10
MW25CD	B-11 - C-18
MW20RG	C-19 - D-24
MW23RB	E-1 - F-8
MW23RD	F-9 - G-16
D23C	G-17 - I-6
D26CRB	I-7 - J-20
D26CRK	J-21 - L-10

1976 D26CRB INDEX

Floor Plan	I-7 - I-8
Accessories Group	I-9 - I-10
Bath Group	I-11 - I-12
Chassis Group	I-13 - I-14
Curtain, Cushion & Pad Group	I-15 - I-16
Dinette Group	I-19
Driver's Compartment Group	I-19 - I-20
Electrical Group	I-21 - I-22
Exterior Body Group	I-23 - I-24
	J-1 - J-2
Galley Group	J-3
Heating & Air Conditioning Group	J-4
Interior Finish Group	J-5 - J-6
LP Group	J-7
Lounge Group	J-7
Water & Sewage Group	J-8
Window, Vent & Exterior Door Group	J-9 - J-20

EXTERIOR BODY GROUP



1976 WINNEBAGO TABLE OF CONTENTS

MW25C	A-1 - B-10
MW25CD	B-11 - C-18
MW20RG	C-19 - C-24
MW23RB	E-1 - F-8
MW23RD	F-9 - G-16
D23C	G-17 - I-6
D26CRB	I-7 - J-20
D26CAK	J-21 - L-13

Key	Part Number	U/M	Description
1	021213-03-000	EA	Trim - Contour - Right Rear Upper - Beige
2	044771-01-000	EA	Trim - Contour - Left Rear Upper - Beige
	044770-01-000	EA	Extr. Awning Rail w Holes - 16' - Beige
3	042801-03-000	EA	Extr. Drop Rail w Holes - 16' - Beige
4	042801-01-000	EA	Trim - Contour - Right Front Upper - Beige
5	042894-01-000	EA	Trim - Contour - Left Front Upper - Beige
	042894-03-000	EA	Trim - Contour - Windshield - Left - Black
6	042730-01-000	EA	Trim - Contour - Windshield - Right - Black
	042730-03-000	EA	Trim - Contour - Left Front Lower - Beige
7	024581-05-000	EA	Trim - Contour - Right Front Lower - Beige
8	024763-01-000	EA	Trim - Center - Front - Wall - Beige
	024764-01-000	EA	Trim - Anod - Upper Grille - Side - Left or Right
	002754-02-001	EA	Trim - Anod - Upper Grille - Center Top
9	033365-01-000	EA	Extr. Anod Angle - 3/4" x 3/4" x 18" - (Grille)
10	033366-01-000	EA	Grille Asm - Left - Upper
	021497-01-000	EA	Grille Asm - Center - Upper
	024535-01-000	EA	Latch Asm - Center Grille
11	046711-02-000	EA	Stop Asm - Upper Grille
	046711-01-000	EA	Bezel - Headlight - Left
		EA	Bezel - Headlight - Right

Key	Part Number	U/M	Description
12	033368-01-000	EA	Grille Asm - Lower
13	048542-01-000	EA	Center Asm - Grille - Between Top and Bottom Grille w Beige Insert
14	046876-01-000	EA	Grille Asm - Upper Right
15	042467-01-000	EA	Trim - Wheel Well - Front - Left or Right
16	036908-02-001	EA	Extr. Anod Rocker Panel - 18"
	040420-01-000	EA	Cap - Rocker Panel - End - 3/4 Miter - Right
	040420-02-000	EA	Cap - Rocker Panel - End - 3/4 Miter - Left
17	042466-01-000	EA	Trim - Wheel - Well - Rear - Left or Right
18	002444-02-003	EA	Extr. Anod - Feature Strip - 16" w/o Insert
	001030-04-002	EA	Insert - Feature Strip - 13 1/2" x 17" - Antique Bronze Metallic
	009731-01-000	EA	End Cap - Feature Strip
19	015251-04-000	EA	Trim - Contour - Right Rear Lower - Beige
	015252-04-000	EA	Trim - Contour - Left Rear Lower - Beige
	002365-02-001	EA	Extr. U-Channel - 1" Serrated - 18" (Lower Backwall Trim)
	042921-01-000	EA	Hoodboard - Front Right - Beige
	042921-02-000	EA	Hoodboard - Front - Left - Beige
			Not Illustrated

1976 D26CRB INDEX

Floor Plan	I-7 - I-8
Accessories Group	I-9 - I-10
Bath Group	I-11 - I-12
Chassis Group	I-13 - I-14
Curtain, Cushion & Pad Group	I-15 - I-16
Dinette Group	I-19
Driver's Compartment Group	I-19 - I-20
Electrical Group	I-21 - I-22
Exterior Body Group	I-23 - I-24
	J-1 - J-2
Galley Group	J-3
Heating & Air Conditioning Group	J-4
Interior Finish Group	J-5 - J-6
LP Group	J-7
Lounge Group	J-7
Water & Sewage Group	J-8
Window, Vent & Exterior Door Group	J-9 - J-20

EXTERIOR BODY GROUP (CONTINUED)

EXTERIOR BODY PANELS AND SHEET ALUMINUM

Key	Part Number	U/M	Description
	043907-01-000	EA	Backwall Asm.
	043905-01-000	EA	Sidewall Asm. - Right
	043906-01-000	EA	Sidewall Asm. - Left
	043904-01-000	EA	Roof Asm.
	043904-01-700	EA	Roof Section - Windshield to First Seam
	039155-02-008	EA	Alum. Beige Mesa Design - .024" x 36" x 60"
	039155-02-002	EA	Alum. Beige Mesa Design - .024" x 36" x 300"
	039155-02-003	EA	Alum. Beige Mesa Design - .024" x 36" x 360"
	039155-02-007	EA	Alum. Beige Mesa Design - .024" x 48" x 60"
	039155-02-005	EA	Alum. Beige Mesa Design - .024" x 48" x 300"
	039155-02-006	EA	Alum. Beige Mesa Design - .024" x 48" x 360"
	039155-02-009	EA	Alum. Beige Mesa Design - .024" x 12" x 360"
	044487-01-001	EA	Alum. Mill Finish - No Design (Roof) - 96" x 360"
	028545-01-000	EA	Alum. - Beige Greyhound Design - 48" x 96"
	001018-01-021	EA	Alum. - Beige - No Design - 48" x 96"
	000868-01-000	BF	Styrofoam - 3'4" x 24" x 96"

EXTERIOR PAINT

Key	Part Number	U/M	Description
	044486-01-000	EA	Paint - Beige Acrylic Enamel - 1 Gallon
	044486-03-000	EA	Paint - Beige - Acrylic Enamel - 16 Oz. Aerosol
	044485-04-000	EA	Paint - Beige - Acrylic Lacquer - 1 Gallon
	041567-01-000	EA	Paint - Rally Gold - Acrylic Enamel - 1 Gallon (Lower Stripe)
	041567-03-000	EA	Paint - Rally Gold - Acrylic Enamel - 16 Oz. Aerosol (Lower Stripe)
	041568-01-000	EA	Paint - Antique Bronze Metallic - Acrylic Enamel 1 Gallon (Upper Stripe)
	041568-03-000	EA	Paint - Antique Bronze Metallic - Acrylic Enamel 16 Oz. Aerosol (Upper Stripe)
	045681-01-000	EA	Paint - High Gloss Black - Acrylic Enamel - 1 Gallon
	045681-03-000	EA	Paint - High Gloss Black - Acrylic Enamel - 16 Oz. Aerosol

LABELS AND DECALS

Key	Part Number	U/M	Description
	006010-01-000	EA	Decal - Winnebago - Brown/Chrome
	006023-01-000	EA	Label - Water Only
	006025-01-000	EA	Label - Gas
	006028-01-000	EA	Label - Drain Cap - 2" x 3"
	006031-01-000	EA	Label - Potable Water Only
	006187-01-000	EA	Label - Sewage
	006188-01-000	EA	Label - Waste Water
	006199-01-000	EA	Label - Exit - Escape Window
	031161-01-000	EA	Label - Flying "W"
	038403-01-000	EA	Decal - Logo - Winnebago 2.80" (Front or Rear)
	039269-01-000	EA	Label - Warning Aux. Loading
	043473-03-000	EA	Decal - Flying "W" - 12 7/8" High - Bronze
	045374-01-000	EA	Stencil - Chieftain - 2 2/8" High - Right
	045374-02-000	EA	Stencil - Chieftain - 2 2/8" High - Left
	008092-01-000	EA	Reflector - Stick on - Rectangular - Red
	008093-01-000	EA	Reflector - Stick on - Rectangular - Amber

EXTERIOR BODY GROUP (CONTINUED)

SEALANTS, ADHESIVES, AND FASTENERS

Key	Part Number	U/M	Description
	034552-05-000	EA	Sealant - Off White Silicone
	034552-04-000	EA	Sealant - Beige Silicone
	034552-02-000	EA	Sealant - Clear Silicone
	004348-02-000	EA	Sealant - Aluminum Silicone
	004349-01-000	EA	Sealant - Black Silicone
	004342-01-000	EA	Sealant - Weatherban 202 Tube
	004346-02-000	EA	Sealant - White Silicone
	004347-01-000	EA	Sealant - Tutlex
	002316-01-000	FT	Tape - Sealer - 3/32" x 1/8"
	024545-01-000	FT	Tape - Sealer - 1/8" x 5/8" - Black
	004350-01-000	FT	Tape - Sealer - 1/8" x 1" - Formaseal
	004352-01-000	FT	Tape - Sealer - 1/8" x 3/4" - Formaseal
	004355-01-000	FT	Tape - Sealer - 1/8" x 5/8" - Black
	004357-01-000	FT	Tape - Sealer - 1/8" x 5/8" - Adhesive
	002707-02-000	FT	Tape - Sealer - 5/16" x 1/2" - Black Foam
	002707-01-000	FT	Tape - Sealer - 5/16" x 3/4" - Black Foam
	004363-01-000	FT	Sealer Tape - 3/16" x 1/2" - Foam
	004362-01-000	FT	Tape Sealer - 1/8" x 5/8" - Foam
	009200-01-000	EA	Tape - Furnace - 1 1/2"
	041839-01-000	FT	Tape - Window - Latch 3/4" - Adhesive
	041839-02-000	FT	Tape - Window - Latch - 1/2" - Adhesive
	004353-01-000	FT	Tape - Gasket - 1/8" x 3/4" - White
	002825-01-000	FT	Weather Stripping - Roof Vent
	002337-01-000	EA	Adhesive - 3M - 1300 Tube
	004005-01-000	GL	Adhesive - Swifts - Green - Glue (Sidewalls)
	004012-01-000	EA	Adhesive - 3M - 4475 Tube
	004020-01-000	QT	Adhesive - ABS Cement (Plastic Fittings)
	029051-01-000	EA	Adhesive - Spray Vinyl
	005081-01-000	EA	Screw - Wood - 12 - 11 x 3" P.O.H. Zinc

MISCELLANEOUS EXTERNALLY MOUNTED PARTS

Key	Part Number	U/M	Description
	016253-01-000	EA	Fuel Fill - Recessed - Single - Beige
	015587-05-000	EA	Fuel Fill - Recessed - Double - Beige
	011124-01-000	EA	Plumbing Seal - Roof Vent - 1 1/4" White
	011129-01-000	EA	Plumbing Seal - Roof Vent - 1 1/2" White
	010230-02-000	EA	Fill - City Water - Recessed - Off White
	011020-01-000	EA	Fill - Water - Recessed - Off White
	009126-01-000	EA	Handle - Assist - Metal - Exterior
	022400-01-000	EA	Minor - Outside w/Convex Stainless Steel
	700023-01-000	EA	Mirror - Convex - 6" x 4"

1976 WINNEBAGO TABLE OF CONTENTS

MW25C	A-1 - B-10
MW25CD	B-11 - C-18
MW20RG	C-19 - D-24
MW23RB	E-1 - F-8
MW23RD	F-9 - G-16
D23C	G-17 - I-6
D26CRB	I-7 - J-20
D26CRK	J-21 - L-10

1976 D26CRB INDEX

Floor Plan	I-7 - I-8
Accessories Group	I-9 - I-10
Bath Group	I-11 - I-12
Chassis Group	I-13 - I-14
Curtain, Cushion & Pad Group	I-15 - I-18
Dinette Group	I-19
Driver's Compartment Group	I-19 - I-20
Electrical Group	I-21 - I-22
Exterior Body Group	I-23 - I-24
	J-1 - J-2
Galley Group	J-3
Heating & Air Conditioning Group	J-4
Interior Finish Group	J-5 - J-6
LP Group	J-7
Lounge Group	J-7
Water & Sewage Group	J-8
Window, Vent & Exterior Door Group	J-9 - J-20

GALLEY GROUP

Key	Part Number	U/M	Description
	011032-01-000	EA	Sink - Stainless Steel Double w/ Bolts
	011053-01-000	EA	Faucet - Swing Spout
	011053-01-700	EA	Aerator - Swing Spout Faucet
	011085-01-000	EA	Strainer - Sink
	047744-01-000	EA	Kit - Drawer Glide
	037588-01-000	FT	Rail - Drawer Glide
	044377-01-701	EA	Cabinet Asm - Galley - w/o Top, Doors, Drawers or Hardware
	042709-03-700	EA	Drawer Asm. - Galley Cabinet - 5 25" x 14 12" w/o Hardware
	042709-04-700	EA	Drawer Asm. - Galley Cabinet - 5 25" x 20 88" - w/o Hardware
	042709-05-700	EA	Drawer Asm. - Galley Cabinet - 5 25" x 20 53" - w/o Hardware
	042602-07-700	EA	Door Asm - Galley Cabinet - 10 1/4" x 25 7.8" - w/o Hardware
	046990-01-000	EA	Extension - Countertop - Green
	046990-02-000	EA	Extension - Countertop - Gold
	046990-03-000	EA	Extension - Countertop - Rust
	044377-01-700	EA	Countertop - Galley - w/ Sink Cut Out - Green
	044377-02-700	EA	Countertop - Galley - w/ Sink Cut Out - Gold
	044377-03-700	EA	Countertop - Galley - w/ Sink Cut Out - Rust
	044049-01-700	EA	Countertop - Refrigerator Cabinet - Green
	044049-02-700	EA	Countertop - Refrigerator Cabinet - Gold
	044049-03-700	EA	Countertop - Refrigerator Cabinet - Rust
	044830-01-000	EA	Sink Cover - Large - Green
	044830-02-000	EA	Sink Cover - Large - Gold
	044830-04-000	EA	Sink Cover - Large - Rust
	044382-01-000	EA	Cabinet Asm. - Galley Overhead - w/o Doors or Hardware
	042600-01-700	EA	Door Asm - Galley Overhead - w/o Hardware
	042085-01-000	EA	End Pad - Galley Overhead
	003213-02-000	EA	Vent - Stove - Outside - w/o Damper Beige
	024669-01-000	EA	Hood - Vent - Eye Level Powered - Strawsine
	024669-01-700	EA	Filter - Range Hood - Eye Level - Strawsine
**	046747-01-000	EA	Range - 4 Burner - Eye Level - Chrome
**	034345-01-000	EA	Refrigerator - Winnebago - W6EG - 1 Door Model
**	034544-01-000	EA	Refrigerator - Winnebago - W7EG - 2 Door Model
**	034542-01-000	EA	Refrigerator - Winnebago - W8EG - 2 Door Model
**	003326-01-000	EA	Refrigerator - Dometic - RM66 - 1 Door Model
**	003337-01-000	EA	Refrigerator - Dometic - RM76 - 2 Door Model
**	049175-01-000	EA	Refrigerator - AC Gas ET 150 - 1 Door Model - Sibir
**	049174-01-000	EA	Refrigerator - AC Gas - ET 230 - 2 Door Model - Sibir

**The illustrated parts breakdown for this item is provided on the Common Items Fiche

HEATING AND AIR CONDITIONING GROUP

WINNEBAGO AUTOMOTIVE HEATING AND AIR CONDITIONING

Key	Part Number	U/M	Description
	039044-01-000	EA	Louver Asm. - A/C Adjustable
	047046-01-000	EA	Motor - 12 Volt - 3 Speed - Heater - Air Conditioner
	031043-01-000	EA	Valve - Heater - Water Flow Control
	031169-01-000	EA	Cable - Control - Flexible - 53"
	031169-02-000	EA	Cable - Control - Flexible - 48"
	031170-01-000	EA	Clamp - Cable 3/16" Dia
	024996-01-000	EA	Clutch - Magnetic - Compressor
	024999-01-000	EA	Compressor - Auto Air - 10 3 Cubic Inch
	048721-01-000	EA	Package - Air Conditioner - Compressor Mount 360 C.I.D.
	033295-01-000	EA	Package - Air Conditioner - Compressor Mount - 440 C.I.D.
	031394-01-000	EA	Condenser - Radiator Mount
	008267-01-000	EA	Switch - Air Conditioner
	024867-01-000	EA	Valve - Thermostatic Expansion
	024997-01-000	EA	Core - Heater
	024998-01-000	EA	Wheel - Blower - 4 72" O.D.
	031393-01-000	EA	Coil - Evaporator
	033258-01-000	EA	Hose - Refrigerant - 50" I.D. x 34 50"
	034222-01-000	EA	Hose - Refrigerant - 31" I.D. x 26"
	031960-01-000	EA	Hose - Refrigerant - 34" I.D. x 30"
	031961-01-000	EA	Hose - Refrigerant - 31" I.D. x 14 75"
	024868-01-000	EA	Receiver - Dehydrator
	031044-01-000	EA	Clamp - Receiver Dehydrator
	031962-01-000	EA	Bracket - Receiver Dehydrator
	031976-01-000	EA	Bell - Drive - 50" I.D. x 54" - 360 C.I.D. or 440 C.I.D.
	048229-02-000	EA	Kit - Auto Air - 440 C.I.D. - Winnebago
	048228-02-000	EA	Kit - Auto Air - 360 C.I.D. - A-Body Winnebago

EVANS AUTOMOTIVE HEATING AND AIR CONDITIONING

Key	Part Number	U/M	Description
	033922-01-000	EA	Evaporator - Air Conditioner
	033932-01-000	EA	Valve - Expansion
	033938-01-000	EA	Core - Heater
	035459-01-701	EA	Blower Asm - 3 Speed w. Motor
	033926-01-000	EA	Cold Control
	035459-01-704	EA	Resistor - Evans Heater
	048217-01-000	EA	Switch - Fan - 3 Speed Evans
	033933-01-000	EA	Compressor - Auto Air - Evans
	033855-01-000	EA	Condenser - Radiator Mount - Evans
	033854-01-000	EA	Receiver Drier
	033934-01-000	EA	Clutch - Compressor - Evans
	048229-01-000	EA	Kit - Auto Air - 440 - Evans

FURNACE AND ROOF AIR CONDITIONER

Key	Part Number	U/M	Description
**	041603-01-000	EA	Furnace - 23,000 BTU - Under Counter Mount - 4200 Series - Coleman
**	041604-01-000	EA	Furnace - 28,000 BTU - Under Counter Mount - 4200 Series - Coleman
**	049777-01-000	EA	Air Conditioner - 110 Volt - Roof Mount - 11,000 BTU - Ivory - Coleman (w/o Inside Shroud)
**	049775-01-000	EA	Shroud Asm - Ceiling - Inside - Roof Air - Cool Only - 11,000 BTU - Coleman
**	049774-01-000	EA	Air Conditioner - 110 Volt - Roof Mount - 13,500 BTU - Ivory - Coleman (w/o Inside Shroud)
**	049775-01-000	EA	Shroud Asm - Ceiling - Inside - Roof Air - Cool Only - 13,500 BTU - Coleman
**	049776-01-000	EA	Shroud Asm - Ceiling - Inside - Roof Air - Heat and Cool - 13,500 BTU - Coleman

**The illustrated parts breakdown for this item is provided on the Common Items Fiche

1976 WINNEBAGO TABLE OF CONTENTS

MW25C	A-1 - B-10
MW25CD	B-11 - C-18
MW20RG	C-19 - D-24
MW23RB	E-1 - F-8
MW23RD	F-9 - G-16
D23C	G-17 - I-6
D26CRB	I-7 - J-20
D26CRK	J-21 - L-10

1976 D26CRB INDEX

Floor Plan	I-7 - I-8
Accessories Group	I-9 - I-10
Bath Group	I-11 - I-12
Chassis Group	I-13 - I-14
Curtain, Cushion & Pad Group	I-15 - I-18
Dinette Group	I-19
Driver's Compartment Group	I-19 - I-20
Electrical Group	I-21 - I-22
Exterior Body Group	I-23 - I-24
	J-1 - J-2
Galley Group	J-3
Heating & Air Conditioning Group	J-4
Interior Finish Group	J-5 - J-6
LP Group	J-7
Lounge Group	J-7
Water & Sewage Group	J-8
Window, Vent & Exterior Door Group	J-9 - J-20

INTERIOR FINISH GROUP

PANELING AND COUNTERTOP MATERIALS

Key	Part Number	U/M	Description
	045963-01-000	SF	Paneling - 825 Bull Ceiling Panel
	000720-02-000	SF	Paneling - White Stucco - 48" x 92 3/4"
	039188-03-000	SF	Paneling - 187 Walnut - 48" x 96" (32SF)
	000724-01-000	EA	Batt Strip - White Stucco
	000726-03-000	EA	Batt Strip - 187 Walnut
	041205-01-000	SF	Plastic Laminate - 48" x 96" - Green
	041205-02-000	SF	Plastic Laminate - 48" x 96" - Gold
	041205-04-000	SF	Plastic Laminate - 48" x 96" - Orange
	041206-01-000	SF	Tileboard - 60" x 84" - Agate Beige - Bath

INTERIOR MOLDINGS AND TRIMS

Key	Part Number	U/M	Description
	022756-01-000	EA	Cover - Air Conditioner Wire - Plastic
	024700-04-000	EA	Cover - Sidewall Roll Bar - 707 Hickory
	024700-03-000	EA	Cover - Sidewall Roll Bar - White
	034113-01-000	EA	Cover - Corner Support Bar - Dark Brown
	039512-02-000	EA	Cover - Hat Section - 707 Hickory
	039512-01-000	EA	Cover - Hat Section - White
	040025-01-000	EA	Cover - Corner Hat Hat
	042886-01-000	EA	Cover - Corner - Tube/Tube
	009778-01-000	EA	U-Channel - 1" - Dark Brown Plastic
	009777-01-000	EA	U-Channel - 3/4" - Dark Brown Plastic
	009815-02-000	FT	T Molding - 3/4" Brown
	009812-03-000	FT	Molding - Plastic Corner - Outside
	009767-01-000	FT	Wellring - Brown
	009779-01-000	FT	U-Channel - 1 1/8" - Dark Brown Plastic
	034689-03-000	EA	Cover - Screw - PPH 10 - Ivory - Bathroom
	009781-01-000	FT	Cover - Outside - 62" x 62" - Dark Brown Plastic

FABRICS AND CARPET

Key	Part Number	U/M	Description
	047855-01-000	YD	Fabric - Upholstery - Citrus Green
	047855-02-000	YD	Fabric - Upholstery - Aztec Gold
	046745-03-000	YD	Fabric - Upholstery - Autumn Rust
	042411-01-000	YD	Vinyl - Nonexpanded - 27 Ounce - Bostonian Brown Berkshire
	042411-02-000	YD	Vinyl - Expanded - 28 Ounce - Bostonian Brown Berkshire
	042411-03-000	YD	Vinyl - Nonsupported - 16 Gauge - Bostonian Brown Berkshire
	042414-01-000	FT	Trim - Accent - Bostonian Brown Vinyl
	041210-01-000	SY	Carpet - Green Citrus Moss
	041210-02-000	SY	Carpet - Gold Aztec Topaz
	041210-03-000	SY	Carpet - Autumn Rust Cactus Terra Cotta
	041209-01-000	YD	Fabric - Drapery - Citrus Green
	041209-02-000	YD	Fabric - Drapery - Aztec Gold
	041209-02-000	YD	Fabric - Drapery - Autumn Orange

INTERIOR FINISH GROUP (CONTINUED)

CABINETS AND TABLE HARDWARE

Key	Part Number	U/M	Description
	009069-01-000	EA	Hinge - Continuous Steel - 1 1/2" x 72"
	009151-01-000	EA	Warp Guard - 48"
	009124-01-000	EA	Lock - Door - Push Button Brass (Bath Door)
	009112-01-000	EA	Flange - 1" Rod - Chrome
	041931-01-000	EA	Kit - Cabinet Door Hinge
	041942-01-000	EA	Kit - Drawer Pull
	041917-01-000	EA	Kit - Latch - Overhead Cabinet Door - Jamestown
	009047-01-000	EA	Hold Open - Overhead Door
	009089-01-000	EA	Clip - Mirror - Plastic w/Screw
	047842-01-000	EA	Kit - Dinette Table Leg
	047809-01-000	EA	Kit - Dinette Table Hardware - Wall Mount
	007021-01-000	EA	Belt Asm. - Seat - 2" x 90" - Black
	041322-01-000	EA	Washer - Flat - 15/32" I.D. x 2 3/8" O.D. (Seat Belt)
	037688-01-000	FT	Rail - Drawer Glide
	047744-01-000	EA	Kit - Drawer Glide

CURTAIN HARDWARE

Key	Part Number	U/M	Description
	009107-01-000	EA	Guide - Nylon - Snap - Curtain
	052327-04-236	EA	Curtain Track - Alum - Brown - 89" w/Holes
	042439-01-000	EA	Bracket (Left or Right) Curtain Rod - Single
	037872-01-000	EA	Rod - Curtain - Double Flat Extends - 48" - 84"
	037872-02-000	EA	Bracket - Curtain Rod - Double Flat
	049897-02-000	EA	Rod - Curtain Flat Extension - 48" - 86"
	049897-01-000	EA	Rod - Curtain Flat Extension - 25" - 45"
	009702-01-000	EA	End Stop - Curtain "L" Rod w/Rollers
	009701-01-000	EA	Carrier - "L" Rod w/Rollers
	018031-42-000	EA	Track - Curtain - "L" Rod - 90" Alum.
	049736-01-000	FT	Track - Curtain - Plastic - 3' Brown (Blackout Curtain)
	049737-01-000	EA	End Cap - Plastic - Curtain Track - Brown (Blackout Curtain)
	049738-01-000	EA	Snap - Carrier - White Plastic (Blackout Curtain)

MISCELLANEOUS PARTS

Key	Part Number	U/M	Description
	042950-01-000	EA	Handle - Interior Assist
	041944-01-700	EA	Extinguisher - Fire - Dry Chemical
	007038-01-000	EA	Mat - Door - Black Rubber - 10 1/2" x 26"

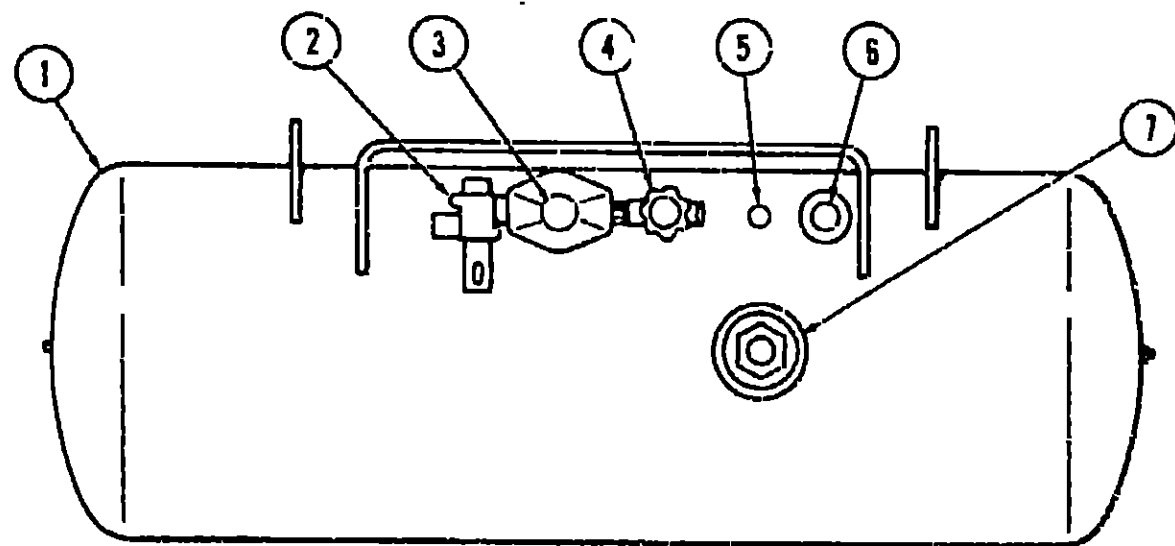
1976 WINNEBAGO TABLE OF CONTENTS

MW25C	A-1 - B-10
MW25CD	B-11 - C-18
MW20RG	C-19 - D-24
MW23RB	E-1 - F-8
MW23RD	F-9 - G-16
D23C	G-17 - I-6
D26CRB	I-7 - J-20
D26CRK	J-21 - L-10

1976 D26CRB INDEX

Floor Plan	I-7 - I-8
Accessories Group	I-9 - I-10
Bath Group	I-11 - I-12
Chassis Group	I-13 - I-14
Curtain, Cushion & Pad Group	I-15 - I-18
Dinette Group	I-19
Driver's Compartment Group	I-19 - I-20
Electrical Group	I-21 - I-22
Exterior Body Group	I-23 - I-24
	J-1 - J-2
Galley Group	J-3
Heating & Air Conditioning Group	J-4
Interior Finish Group	J-5 - J-6
LP Group	J-7
Lounge Group	J-7
Water & Sewage Group	J-8
Window, Vent & Exterior Door Group	J-9 - J-20

LP GROUP



Key	Part Number	U/M	Description
1	040421-01-000	EA	Tank Asm - LP - Frame Mount - 83 Pound
•	042281-01-000	EA	Tank Asm - LP - Frame Mount - 42 Pound
2	047221-01-000	EA	Detector - LP Gas Leak
3	024712-01-000	EA	Cover - LP Regulator
•	052163-01-000	EA	Regulator - Manual - LP Gas - 2 Stage
4	040421-01-703	EA	Valve - Vapor Relief
5	040421-01-700	EA	Gauge - Liquid Level - 20% LP
6	040421-01-701	EA	Valve - Filler - LP
•	040421-01-702	EA	Cap - Plastic Fill Valve
7	040421-01-707	EA	Gauge - Float - w Visible Dial - 83 Pound Tank
•	042281-01-700	EA	Gauge - Float - w Visible Dial - 42 Pound Tank
•	040421-01-706	EA	Dial - Visible Face - Float Gauge (Tank w/o Electric Transmitter)
•	040421-01-705	EA	Dial - Transmitter - 0 - 90 Ohm (Float Gauge)
•	045703-03-000	EA	Hose Asm - LP - 3/8" I.D. x 14"
•	047737-02-000	EA	Support - LP Tank - 89 25"
•	047737-03-000	EA	Support - LP Tank - 30 50"
•			Not Illustrated

LOUNGE GROUP

Key	Part Number	U/M	Description
	044057-01-000	EA	Cabinet Asm - Gaucho - Right w/o Doors or Hardware
	042602-13-700	EA	Door Asm - Gaucho Cabinet - 15 5" x 9 75" w/o Hardware
	044056-01-000	EA	Cabinet Asm - Gaucho Overhead - Right w/o Doors or Hardware
	042600-01-700	EA	Door Asm - Gaucho Overhead w/o Hardware
	044501-01-000	EA	Cabinet Asm - Gaucho - Left
	044798-01-000	EA	Cabinet Asm - Overhead Bunk - w/o Doors or Hardware
	042500-03-700	EA	Door Asm - Overhead Cabinet - Fold Down w/o Hardware

WATER AND SEWAGE GROUP

PLUMBING REPAIR KITS, PIPE FITTINGS, AND WATER PUMP

Key	Part Number	U/M	Description
	046524-02-000	EA	Kit - Fittings - Plastic - Water Tank
	046524-01-000	EA	Kit - Fittings - Plastic - Holding Tank
	040539-01-000	EA	K. - Repair - 3/8" O.D. Plastic Tube
	040540-01-000	EA	Kit - Repair - 1/2" O.D. Plastic Tube
	040541-01-000	EA	Kit - Repair - 5/8" O.D. Plastic Tube
	041819-01-000	EA	Nut and Cone - Plastic 1/2" O.D. Tube
	046128-01-000	EA	Valve - Drain - Plastic 1/2 FFT
	039807-01-000	EA	Valve - Drain - Brass 1/2 MPT
	039818-01-000	EA	Riser Asm - 3/8" O.D. x 24" Tube
	039818-02-000	EA	Riser Asm - 3/8" O.D. x 36" Tube
	039818-03-000	EA	Riser Asm. - 3/8" O.D. x 18" Tube
	004020-01-000	OT	Adhesive - ABS Cement
	010133-01-000	EA	Adaptor Trap - Plastic 1 1/2" H x MPT
	010134-01-000	EA	Adaptor - 1 1/2" Male MPT - Plastic
	022316-01-000	EA	Holder - Extension Handle
	010153-01-000	EA	Ring - Closet - Plastic 4F x 3 MPT
	010201-01-000	EA	Hose - Sewer - 3" x 10' w/Clamp
	010209-06-000	EA	Handle - Extension Sewer Valve 11.25"
	010235-01-000	EA	Cap - Sewage 3"
	010236-01-000	EA	Adaptor - Hose 3"
	011091-01-000	EA	Waste - Continuous Double Sink 11 7/8"
	010210-01-000	EA	Valve - Sanitary - Thelford 3HB
	010234-01-000	EA	Adaptor - Byonnet
	011066-01-000	EA	P-Trap - Plastic 1 1/4"
	041279-02-000	EA	Pump - Water - Flow 2.8 G.P.M. - PAR
	039547-02-000	EA	Filter - Water - Pump - 1/2 MPT
	050780-01-000	EA	Coupler - Rubber - 3" x 3"
	037845-01-000	FT	Tape - Butyl - 3/16" Bead - Black

HOLDING TANKS AND WATER HEATER

Key	Part Number	U/M	Description
	042132-03-000	EA	Tank Asm - Water - Plastic - 58 Gallon - w/Fittings
	042132-01-000	EA	Tank - Water - Plastic - 58 Gallon - w/o Fittings
	041625-03-000	EA	Tank Asm - Holding - Plastic - 56 Gallon - w/Fittings
	041625-01-000	EA	Tank - Holding - Plastic - 56 Gallon - w/o Fittings
	041627-03-000	EA	Tank Asm - Holding - Plastic - 17 Gallon - w/Fittings
	041627-01-000	EA	Tank - Holding - Plastic - 17 Gallon - w/o Fittings
**	031952-01-000	EA	Water Heater - 6 Gallon - Atwood - G6A2
**	051391-01-000	EA	Water Heater - 6 Gallon - Atwood - G6A3

** The illustrated parts breakdown for this item is provided on the Common Items Fiche

1976 WINNEBAGO TABLE OF CONTENTS

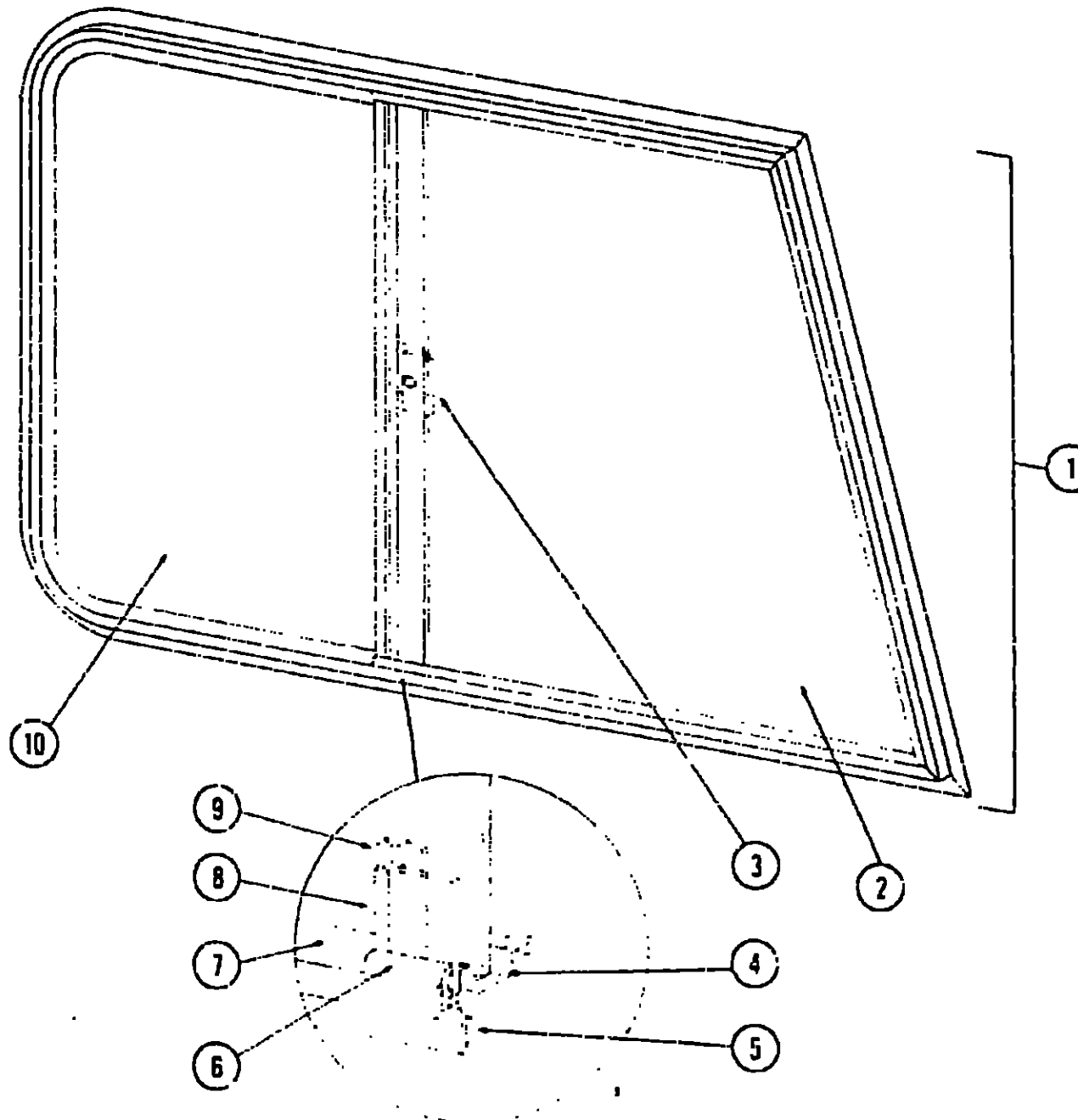
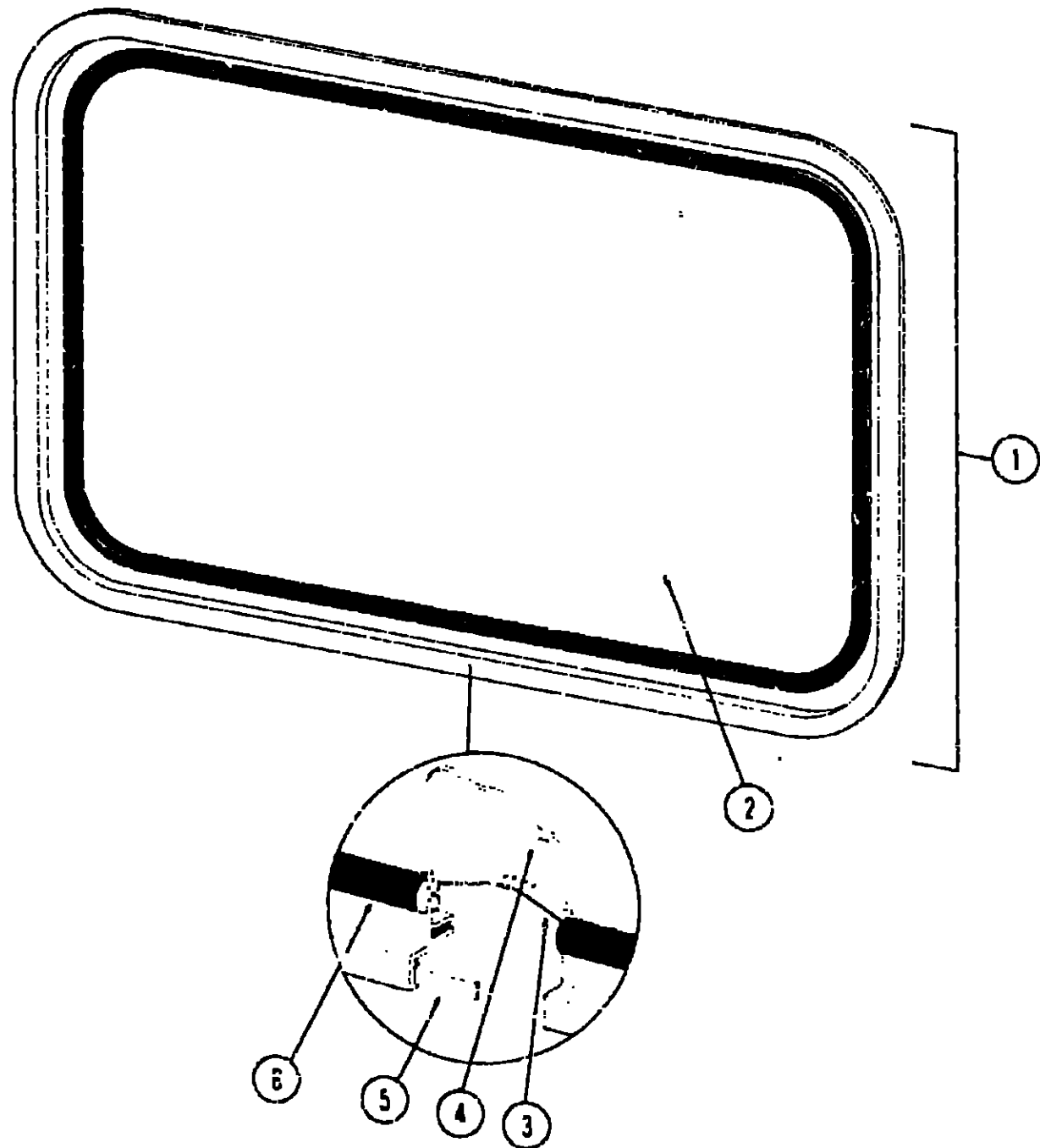
MW25C	A-1 - B-10
MW25CD	B-11 - C-18
MW20RG	C-19 - D-24
MW23RB	E-1 - F-8
MW23RD	F-9 - G-16
D23C	G-17 - I-5
D26CRB	I-7 - J-20
D26CRK	J-21 - L-10

1976 D26CRB INDEX

Floor Plan	I-7 - I-8
Accessories Group	I-9 - I-10
Bath Group	I-11 - I-12
Chassis Group	I-13 - I-14
Curtain, Cushion & Pad Group	I-15 - I-18
Dinette Group	I-19
Driver's Compartment Group	I-19 - I-20
Electrical Group	I-21 - I-22
Exterior Body Group	I-23 - I-24
	J-1 - J-2
Galley Group	J-3
Heating & Air Conditioning Group	J-4
Interior Finish Group	J-5 - J-6
LP Group	J-7
Lounge Group	J-7
Water & Sewage Group	J-8
Window, Vent & Exterior Door Group	J-9 - J-20

WINDOW, VENT AND EXTERIOR DOOR GROUP

WINDOW, VENT AND EXTERIOR DOOR GROUP (CONTINUED)



Key	Part Number	U/M	Description
1	042959-01-000	EA	Window Asm - Rear Escape - 23" x 36" - Black Anod (w/o Inside Frame)
2	041392-01-000	EA	Glass - 1-8" x 19-61" x 33-25"
3	002285-01-000	FT	Filler - Weatherstrip - Black
4	020395-01-000	EA	Slip - Pull Ring - Escape Window
5	004363-01-000	FT	Tape - Foam - 3/16" x 1/2" - Gray
6	002282-01-000	FT	Weatherstrip - 125" - Black
	042027-01-000	EA	Frame - Inside - Escape Window - 23" x 36" (not included in assembly)
	006199-01-000	EA	Label - Exit - Escape Window
			Not Illustrated

Key	Part Number	U/M	Description
1	043628-03-000	EA	Window Asm - Right Front Slant Slider - 23" x 39" - Black Anod. (w/o Inside Frame)
	048628-04-000	EA	Window Asm - Left Front Slant Slider - 23" x 39" - Black Anod (w/o Inside Frame)
2	041897-01-000	EA	Glass - 1-8" x 22-06" x 18-91" x 21-22" - Stationary
3	047369-01-700	EA	Latch - Window - Plastic w/ Fastener
	023275-01-000	EA	Latch - Window - Aluminum
4	002324-01-000	FT	Channel - Weatherstrip - Glass Run - 1/8" Glass
5	004363-01-000	FT	Tape - Foam - 3/16" x 1/2" - Gray
6	002309-02-000	FT	Spline - Glass - 1/8" - Black
7	024096-02-000	FT	Seal - Window Channel - Black
8	018025-03-000	EA	Holder - Glass Seal - Black Anod
9	041894-11-000	EA	Mullion - Slider Window - 23" - Black Anod
10	047924-01-000	EA	Glass - 1-8" x 22-06" x 19-05" - Sliding
	049162-02-000	EA	Frame - Inside - Right Front Slant Slider - Window - 23" x 39" (not included in assembly)
	049162-01-000	EA	Frame - Inside - Left Front Slant Slider - Window - 23" x 39" (not included in assembly)
J-9	023713-02-000	EA	Cover - Plastic Weephole - Black
			Not Illustrated

**1976 WINNEBAGO
TABLE OF CONTENTS**

MW25C	A-1 - B-10
MW25CD	B-11 - C-18
MW20RG	C-19 - D-24
MW23RB	E-1 - F-8
MW23RD	F-9 - G-16
D23C	G-17 - I-6
D26CRB	I-7 - J-20
D26CRK	J-21 - L-10

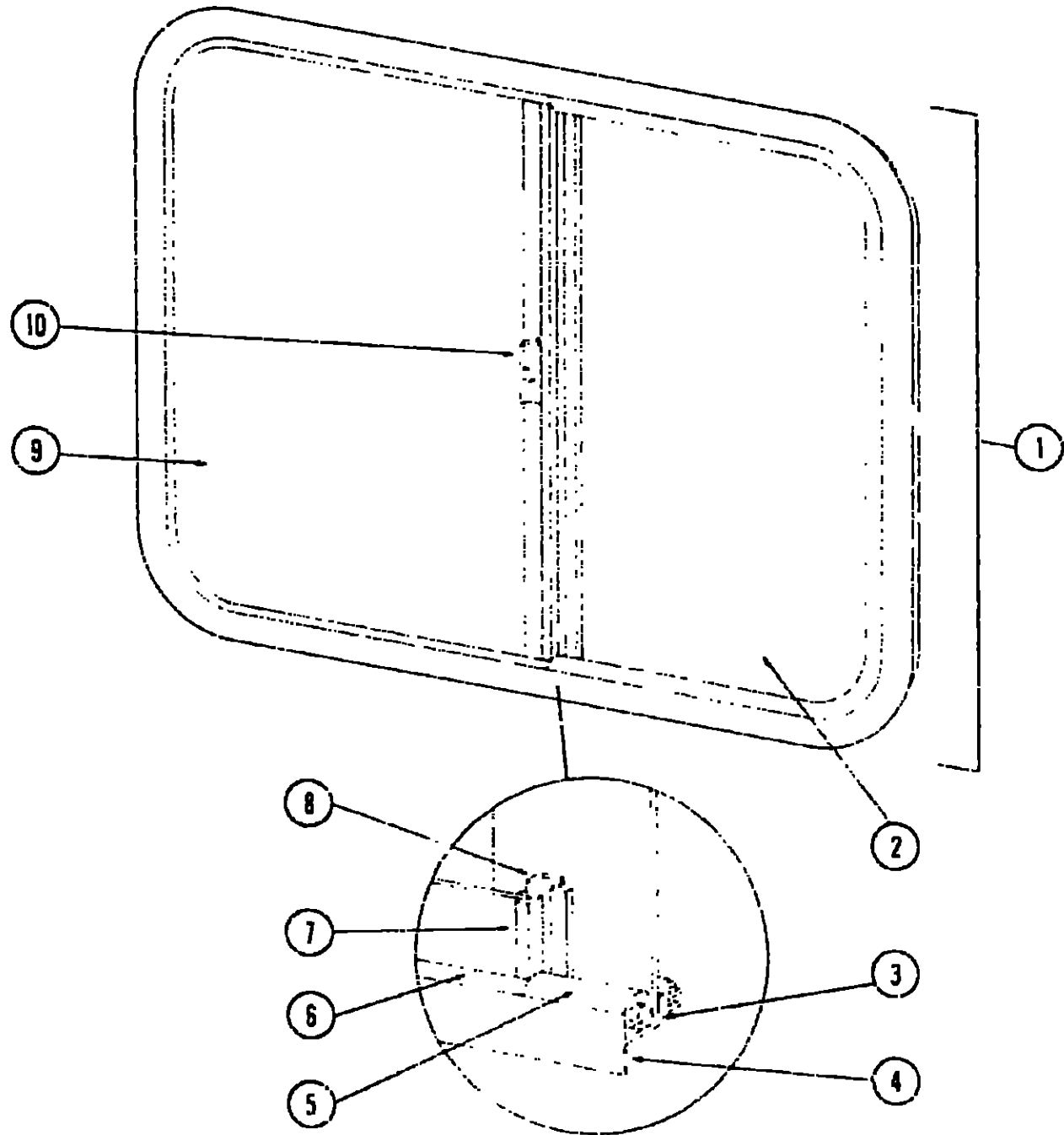
**1976 D26CRB
INDEX**

Floor Plan	I-7 - I-8
Accessories Group	I-9 - I-10
Bath Group	I-11 - I-12
Chassis Group	I-13 - I-14
Curtain, Cushion & Pad Group	I-15 - I-18
Dinette Group	I-19
Driver's Compartment Group	I-19 - I-20
Electrical Group	I-21 - I-22
Exterior Body Group	I-23 - I-24
	J-1 - J-2
Galley Group	J-3
Heating & Air Conditioning Group	J-4
Interior Finish Group	J-5 - J-6
LP Group	J-7
Lounge Group	J-7
Water & Sewage Group	J-8
Window, Vent & Exterior Door Group	J-9 - J-20

WINDOW, VENT AND EXTERIOR DOOR GROUP (CONTINUED)

WINDOW, VENT AND EXTERIOR DOOR GROUP (CONTINUED)

Key	Part Number	U/M	Description
1	048531-07-000	EA	Window Assembly - Right Single Slider - 23" x 29" - w/Plastic Latch w/o Inside Frame (Requires Z Style Inside Frame)
2	047813-01-000	EA	Glass - Sliding - 1/8" x 22" x 13.68" w/Holes (Used w/Plastic Latch)
	002186-01-000	EA	Glass - Sliding - 1/8" x 22" x 13.68" w/o Holes (Used w/Aluminum Latch)
3	002324-01-000	FT	Channel - Weatherstrip - Glass Run - 1/8" Glass
4	004363-01-000	FT	Tape - Foam - 3/16" x 1/2" - Gray
5	024096-02-000	FT	Seal - Window Channel - Black (Used in Window w/Z Style Inside Frame)
	002283-01-000	FT	Seal - Window Channel (Used in Window w/T Style Inside Frame)
6	002309-02-000	FT	Spline - Glass - 1/8" - Black
7	018025-03-000	EA	Holder - Glass Seal - 23" - Black Anod.
8	041894-02-000	EA	Mullion - Slider Window - 23" - Black Anod. (Used in Window w/Z Style Inside Frame)
	018014-02-000	EA	Mullion - Slider Window - 22" (Used in Window w/T Style Inside Frame)
9	002184-01-000	EA	Glass - TP - Stationary
10	047369-01-700	EA	Latch - Window - Plastic w/Fastener
	023275-01-000	EA	Latch - Window - Aluminum
	041839-01-000	FT	Tape - Foam - Aluminum Window Latch
	002298-01-000	FT	Spline - Screen - .130" Diameter - Gray
	002293-01-000	SF	Screen - Window - 26" - Gray
	023713-02-000	EA	Cover - Weephole - Black Plastic
	042147-01-000	EA	Frame - Window - Inside - 23" x 29" (Z Style)
	018027-01-000	EA	Frame - Window - Inside - 23" x 29" (T Style)
			Not Illustrated



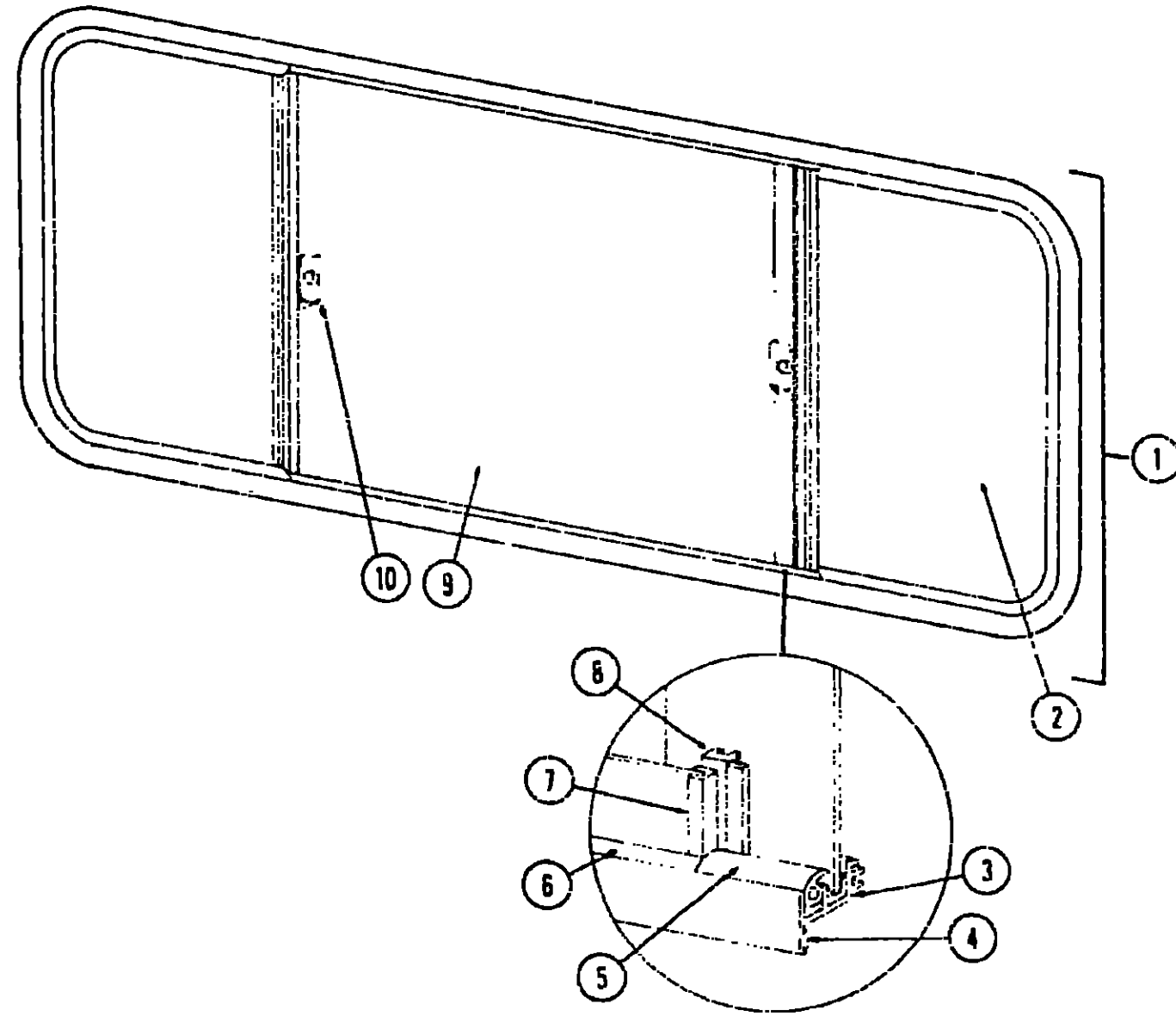
**1976 WINNEBAGO
TABLE OF CONTENTS**

MW25C	A-1 - B-10
MW25CD	B-11 - C-18
MW20RG	C-19 - D-24
MW23RB	E-1 - F-8
MW23RD	F-9 - G-16
D23C	G-17 - I-6
D26CRB	I-7 - J-20
D26CRK	J-21 - L-10

**1976 D26CRB
INDEX**

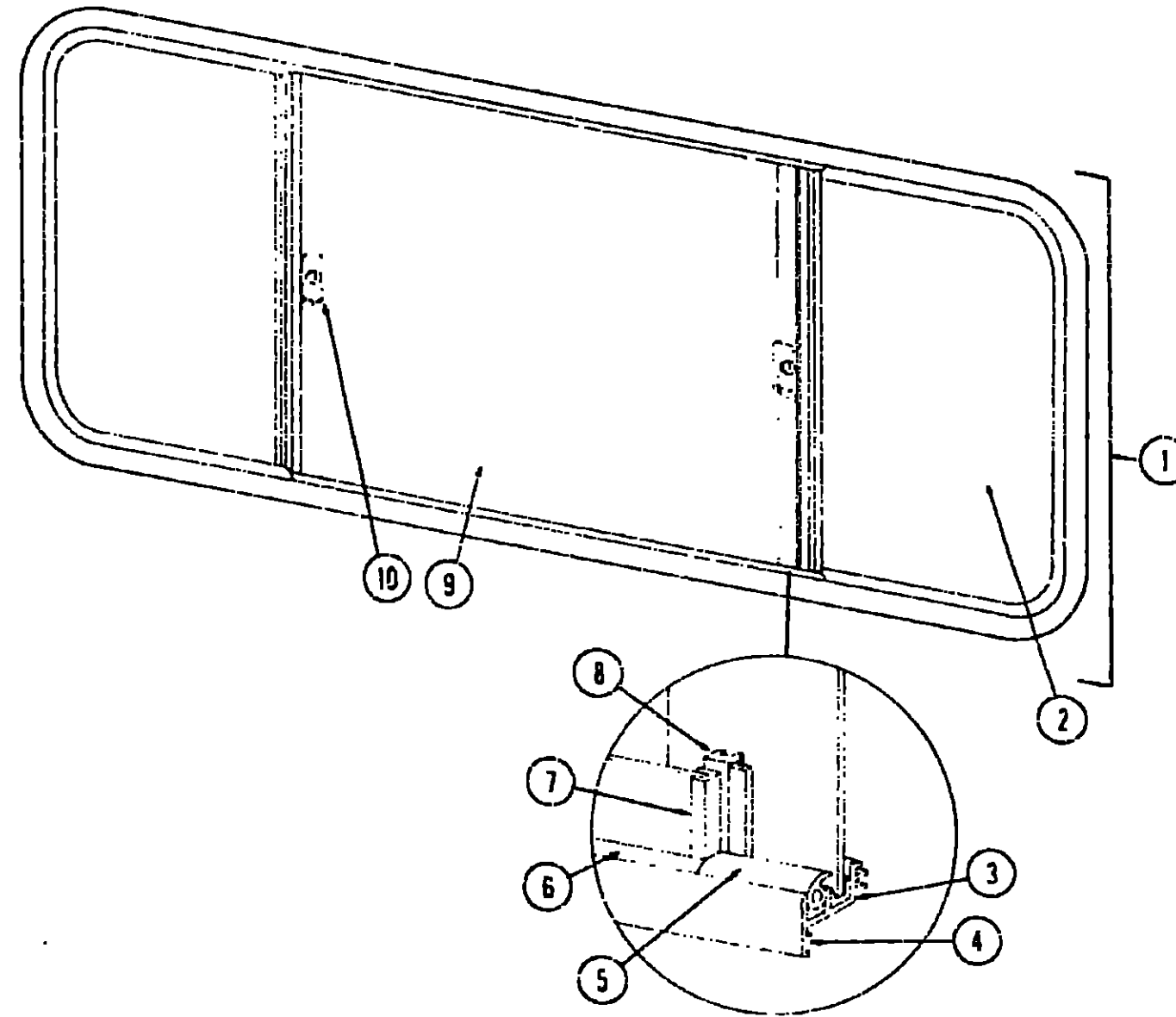
Floor Plan	I-7 - I-8
Accessories Group	I-9 - I-10
Bath Group	I-11 - I-12
Chassis Group	I-13 - I-14
Curtain, Cushion & Pad Group	I-15 - I-18
Dinette Group	I-19
Driver's Compartment Group	I-19 - I-20
Electrical Group	I-21 - I-22
Exterior Body Group	I-23 - I-24
	J-1 - J-2
Galley Group	J-3
Heating & Air Conditioning Group	J-4
Interior Finish Group	J-5 - J-6
LP Group	J-7
Lounge Group	J-7
Water & Sewage Group	J-8
Window, Vent & Exterior Door Group	J-9 - J-20

WINDOW, VENT AND EXTERIOR DOOR GROUP (CONTINUED)



Key	Part Number	U/M	Description
1	048630-01-000	EA	Window Assembly - Double Slider - 25" x 65" - Black Anod. w/Plastic Latch - w/o Inside Frame (Requires Z Style Inside Frame)
2	047823-01-000	EA	Glass - 1/8" x 22" x 21 03" - Sliding w/Holes (Used w/Plastic Latch)
	002187-01-000	EA	Glass - 1/8" x 22" x 21 028" - Sliding w/o Holes (Used w/Aluminum Latch)
3	002324-01-000	FT	Channel - Weatherstrip - Glass Run - 1/8" Glass
4	004363-01-000	FT	Tape - Foam - 3/16" x 1/2" - Gray
5	024095-02-000	FT	Seal - Window Channel (Used in Windows w/ Z Style Inside Frame)
	002263-01-000	FT	Seal - Window Channel (Used in Window w/T Style Inside Frame)
6	002309-02-000	FT	Spline - Glass - 1/8" - Black
7	018025-03-000	EA	Holder - Glass Seal - 23" - Black Anod
8	041894-02-000	EA	Mullion - Slider Window - 23" - Black Anod (Used in Window w/Z Style Inside Frame)
	018014-02-000	EA	Mullion - Slider Window - 22" - Black Anod (Used in Window w/T Style Inside Frame)
9	002188-01-000	EA	Glass - 1/8" x 22" x 21.03" - Stationary
10	047369-01-700	EA	Latch - Window Plastic w/Fastener
	023275-01-000	EA	Latch - Window - Aluminum
	041839-01-000	F1	Tape - Foam - Aluminum Window Latch
	002298-01-000	FT	Spline - Screen - - 130" Diameter - Gray
	002293-01-000	SF	Screen - Window - 25" - Gray
	023713-02-000	EA	Cover - Weephole - Black Plastic
	042133-02-000	EA	Frame - Window - Inside - 23" x 65" (Z Style)
	018016-01-000	EA	Frame - Window - Inside - 23" x 65" (T Style)
			Not Illustrated

WINDOW, VENT AND EXTERIOR DOOR GROUP (CONTINUED)



Key	Part Number	U/M	Description
1	048630-02-000	EA	Window Asm - Double - Slider - 23" x 56" - Black Anod (w/o Inside Frame)
2	002184-01-000	EA	Glass - 1/8" x 22" x 16 53" Sliding (Used w/Alum Latch)
	047816-01-000	EA	Glass - 1/8" x 22" x 16 53" - Sliding (Used w/Plastic Latch)
3	002324-01-000	FT	Channel - Weatherstrip - Glass Run - 1/8" Glass
4	004363-01-000	FT	Tape - Foam - 3/16" x 1/2" - Gray
5	024096-02-000	FT	Seal - Window Channel - Black
6	002309-02-000	FT	Spline - Glass - 1/8" - Black
7	018025-03-000	EA	Holder - Glass Seal - Black Anod
8	041894-02-000	EA	Mullion - Slider Window - 23" - Black Anod
9	002188-01-000	EA	Glass - 1/8" x 22" x 21 03" - Stationary
10	047369-01-700	EA	Latch - Window - Plastic w/Fastener
	023275-01-000	EA	Latch - Window - Aluminum
	002298-01-000	FT	Spline - Gray - 130" Dia - (Screen)
	002293-01-000	SF	Screen - Window - 26" - Gray
	023713-02-000	EA	Cover - Weephole - Plastic - Black
	042133-02-000	EA	Frame - Inside - Double Slider Window (Used w/Window with Plastic Latch)
			Not Illustrated

**1976 WINNEBAGO
TABLE OF CONTENTS**

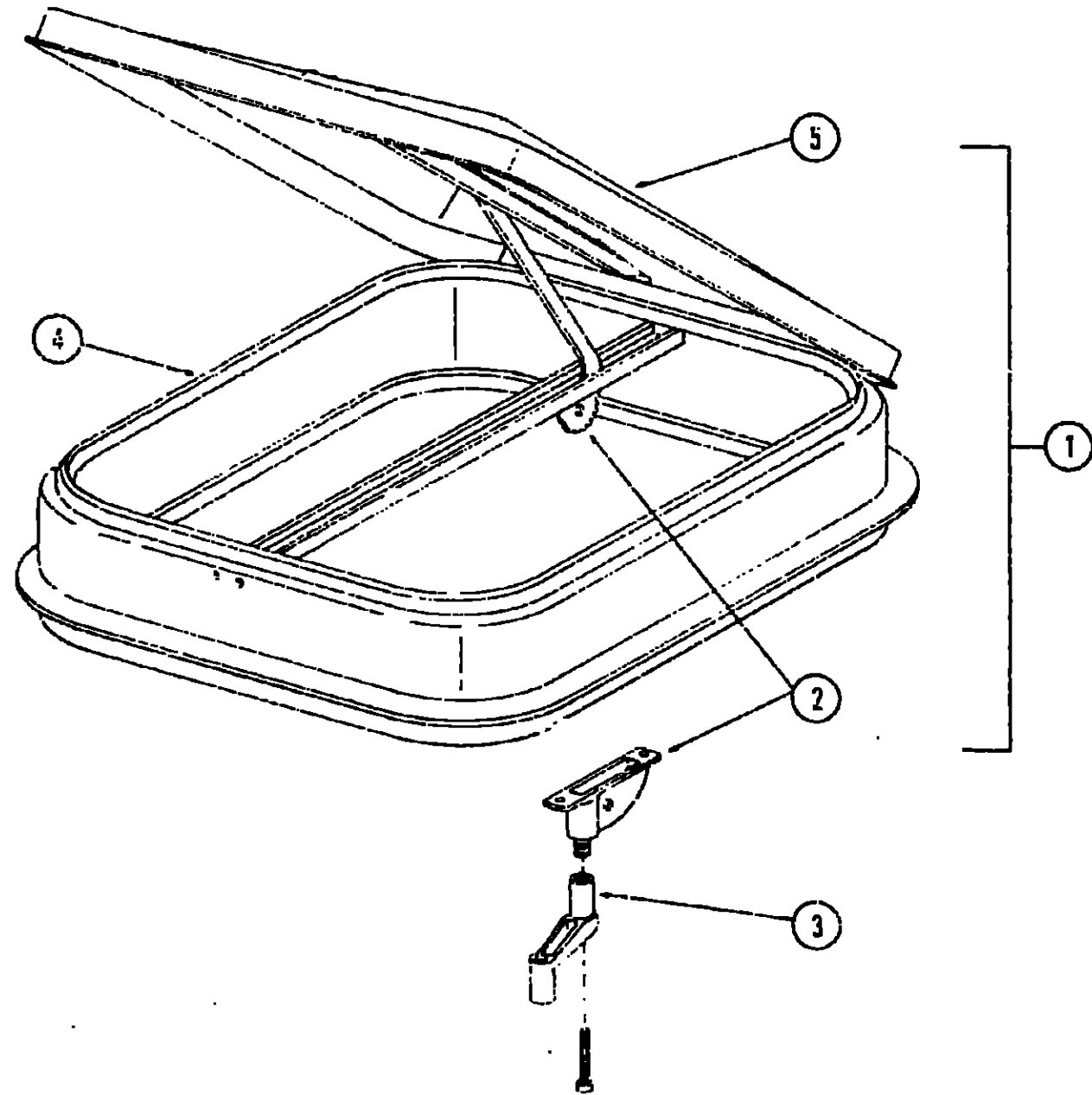
MW25C
MW25CD
MW20RG
M V23RB
M V23RD
D 3C
D .6CRB
D26CR1

A-1 - B-10
B-11 - C-18
C-19 - D-24
E-1 - F-8
F-9 - G-16
G-17 - I-6
I-7 - J-20
J-21 - L-10

**1976 D26CRB
INDEX**

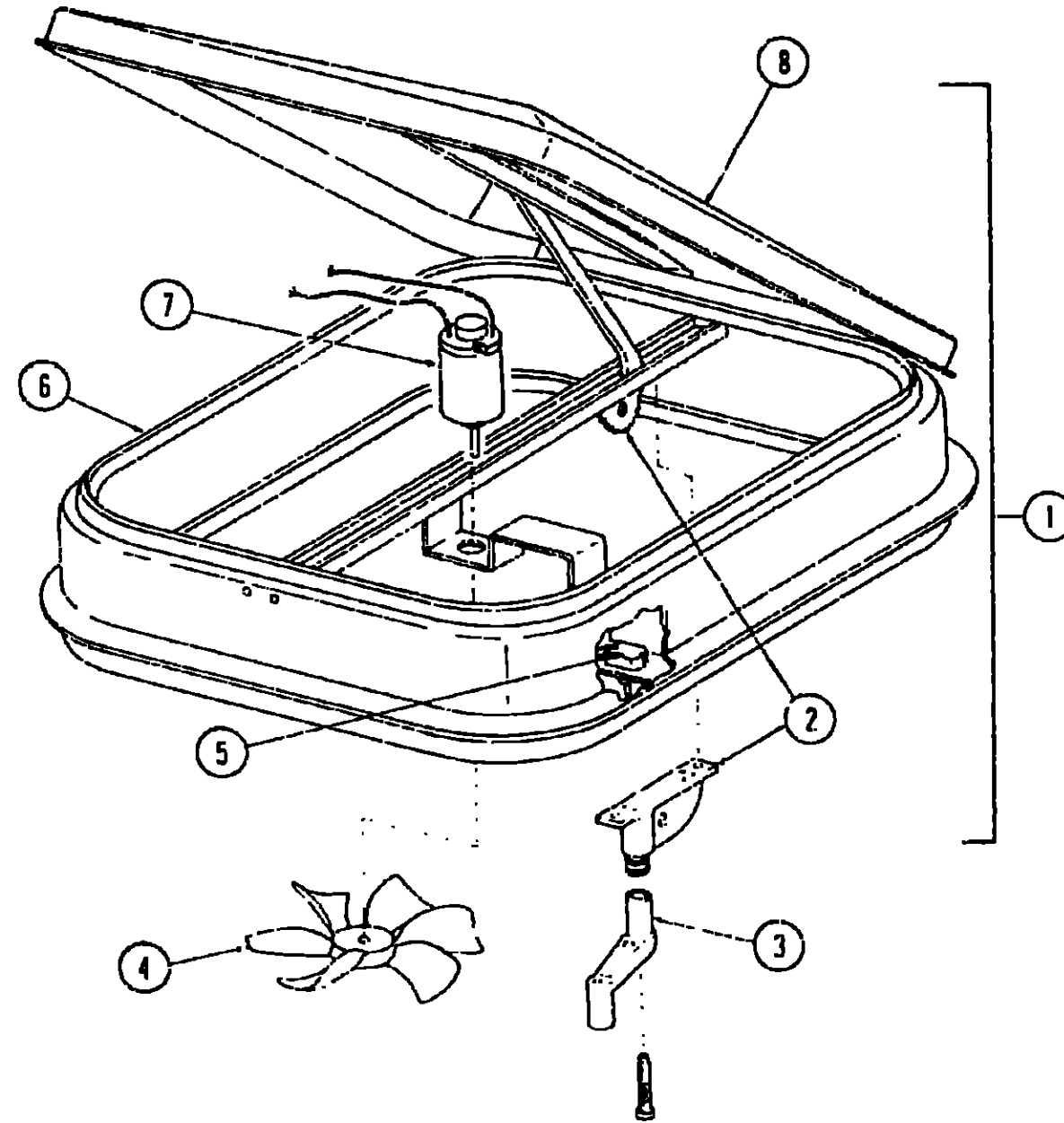
Floor Plan	I-7 - I-8
Accessories Group	I-9 - I-10
Bath Group	I-11 - I-12
Chassis Group	I-13 - I-14
Curtain, Cushion & Pad Group	I-15 - I-18
Dinette Group	I-19
Driver's Compartment Group	I-19 - I-20
Electrical Group	I-21 - I-22
Exterior Body Group	I-23 - I-24
	J-1 - J-2
Galley Group	J-3
Heating & Air Conditioning Group	J-4
Interior Finish Group	J-5 - J-6
LP Group	J-7
Lounge Group	J-7
Water & Sewage Group	J-8
Window, Vent & Exterior Door Group	J-9 - J-20

WINDOW, VENT AND EXTERIOR DOOR GROUP (CONTINUED)



Key	Part Number	U/M	Description
1	048835-01-000	EA	Vent Asm. - Roof - Nonpowered - w/o Screen
2	009440-01-000	EA	Gear - Arm - Roof Vent
3	009439-01-000	EA	Crank - Roof Vent
4	002825-01-000	FT	Weatherstrip - Roof Vent
5	046825-01-000	EA	Cover - Plastic - Roof Vent
	016335-01-000	EA	Screen Asm - Nonpowered Roof Vent - Clear Anod (not included in assembly)
	016335-03-000	EA	Screen Asm - Nonpowered Roof Vent - Beige (not included in assembly)
			Not Illustrated

WINDOW, VENT AND EXTERIOR DOOR GROUP (CONTINUED)



Key	Part Number	U/M	Description
1	048789-01-000	EA	Vent Asm - Roof - Powered - w. o Screen
2	009440-01-000	EA	Gear - Arm - Roof Vent
3	009439-01-000	EA	Crank - Roof Vent
4	048649-01-000	EA	Fan - 6" - Plastic
5	008195-01-000	EA	Switch - Push Button - 12 Volt
6	002825-01-000	FT	Weatherstrip - Roof Vent
7	048648-01-000	EA	Motor - 12 Volt
8	046825-01-000	EA	Cover - Plastic - Roof Vent
	048695-01-000	EA	Screen Asm - Powered Roof Vent - Clear Anod (not included in assembly)
	048695-03-000	EA	Screen Asm - Powered Roof Vent - Beige (not included in assembly)
			Not Illustrated

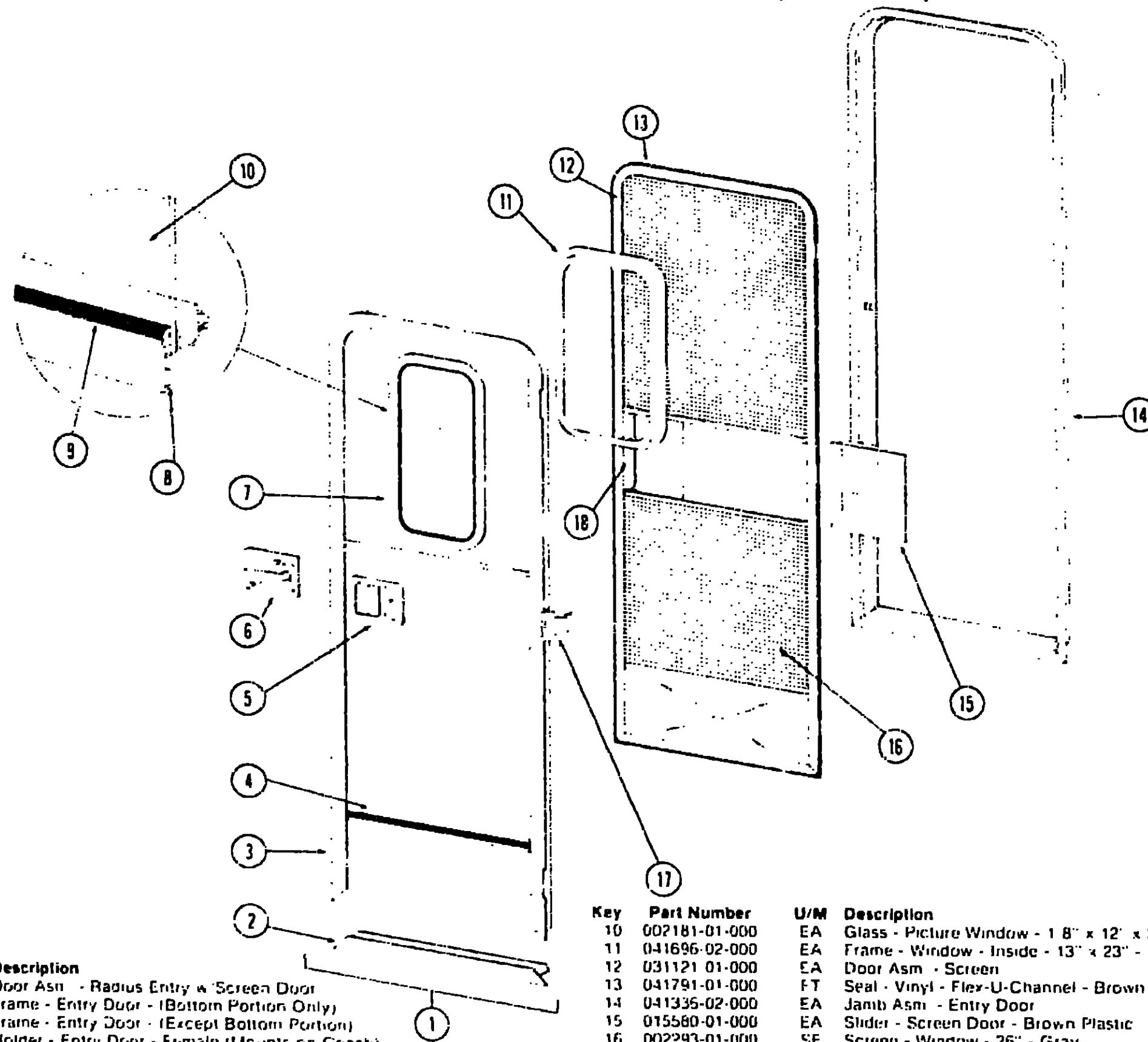
1976 WINNEBAGO
TABLE OF CONTENTS

MW25C	A-1 - B-10
MW25CD	B-11 - C-18
MW20RG	C-19 - D-24
MW23RB	E-1 - F-8
MW23RD	F-9 - G-16
D23C	G-17 - I-6
D26CRB	I-7 - J-20
D26CRK	J-21 - L-10

1976 D26CRB
INDEX

Floor Plan	I-7 - I-8
Accessories Group	I-9 - I-10
Bath Group	I-11 - I-12
Chassis Group	I-13 - I-14
Curtain, Cushion & Pad Group	I-15 - I-18
Dinette Group	I-19
Driver's Compartment Group	I-19 - I-20
Electrical Group	I-21 - I-22
Exterior Body Group	I-23 - I-24
	J-1 - J-2
Galley Group	J-3
Heating & Air Conditioning Group	J-4
Interior Finish Group	J-5 - J-6
LP Group	J-7
Lounge Group	J-7
Water & Sewage Group	J-8
Window, Vent & Exterior Door Group	J-9 - J-20

WINDOW, VENT AND EXTERIOR DOOR GROUP (CONTINUED)



Key	Part Number	U/M	Description
1	039751-03-000	EA	Door Asm - Radius Entry w/Screen Door
2	039737-02-000	EA	Frame - Entry Door - (Bottom Portion Only)
3	039736-02-000	EA	Frame - Entry Door - (Except Bottom Portion)
4	009101-02-000	EA	Holder - Entry Door - Female (Mounts on Coach)
	009102-01-000	EA	Holder - Entry Door - 2 1-2" Male (Mounts on Door)
5	041948-01-000	EA	Kit - Radius Door - Lock - Complete
	039541-01-000	EA	Lock Cylinder w/Keys
	039539-01-000	EA	Striker - Entry Door Lock
6	039979-01-000	EA	Plate - Lock - Interior - Including Inside Handle
7	041875-02-000	EA	Window Asm - Picture - 13" x 23" - Black Anod (Inside frame not included in window assembly)
8	004363-01-000	FT	Tape - Foam - 3 16" x 1-2" - Gray
9	002309-02-000	FT	Spline - Glass - 1/8" - Black

Key	Part Number	U/M	Description
10	002181-01-000	EA	Glass - Picture Window - 1 8" x 12" x 22" - Gray
11	041696-02-000	EA	Frame - Window - Inside - 13" x 23" - Brown
12	031121-01-000	EA	Door Asm - Screen
13	041791-01-000	FT	Seal - Vinyl - Flex-U-Channel - Brown
14	041336-02-000	EA	Jamb Asm - Entry Door
15	015580-01-000	EA	Slider - Screen Door - Brown Plastic
16	002293-01-000	SF	Screen - Window - 26" - Gray
17	039520-01-000	EA	Hinge - Entry Door (3 used per door)
18	015581-01-000	EA	Cap - Screen Door - Brown Plastic
	049176-01-000	EA	Hedlok II - 3/4" Diameter - Screw Mount (Retains Screen Door to Entry Door)
	049797-01-000	EA	Hedlok II - 1" Diameter - Screw Mount (Retains Screen Door to Entry Door)
	010019-01-000	EA	Striker - Screen Door
	039863-01-700	EA	Catch Asm - Single Roller w/Strike - Screen Door
	051390-01-000	FT	Seal - Jamb - Entry Door - Bulb Seal
	039800-01-000	FT	Tubing - Polybutyl - 3/8" O D - Jamb
			Not Illustrated

J-17

1976 WINNEBAGO TABLE OF CONTENTS

MW25C	A-1 - B-10
MW25CD	B-11 - C-18
MW20RG	C-19 - D-24
MW23RB	E-1 - F-8
MW23RD	F-9 - G-16
D23C	G-17 - I-6
D26CRB	I-7 - J-20
D26CRK	J-21 - L-10

1976 D26CRB INDEX

Floor Plan	I-7 - I-8
Accessories Group	I-9 - I-10
Bath Group	I-11 - I-12
Chassis Group	I-13 - I-14
Curtain, Cushion & Pad Group	I-15 - I-18
Dinette Group	I-19
Driver's Compartment Group	I-19 - I-20
Electrical Group	I-21 - I-22
Exterior Body Group	I-23 - I-24
	J-1 - J-2
Galley Group	J-3
Heating & Air Conditioning Group	J-4
Interior Finish Group	J-5 - J-6
LP Group	J-7
Lounge Group	J-7
Water & Sewage Group	J-8
Window, Ver. I & Exterior Door Group	J-9 - J-20

J-18

WINDOW, VENT AND EXTERIOR DOOR GROUP (CONTINUED)

WINDSHIELD

Key	Part Number	U/M	Description
	034975-04-000	EA	Glass - Windshield - 1:4" x 22 12" x 45 45" - Right or Left
	036764-03-200	EA	Exlr - Windshield Trim - Anod. - Black - 22 38"
	042744-03-000	EA	Frame Asm - Windshield w/o Glass
	035896-01-000	EA	Tape - Butyl - 31" x 31" x 148"
	043988-01-000	EA	Trim - Windshield

VENTS

Key	Part Number	U/M	Description
	039778-01-000	EA	Cover - Plastic - Refrigerator Vent
	009407-01-000	EA	Frame - Base - Refrigerator Vent (w/o Cover)
	003213-07-000	EA	Vent - Stovehood - Outside - Beige

ACCESS DOORS

Key	Part Number	U/M	Description
	003182-02-000	EA	Door - Water Heater Access - Beige (G6A2)
	037807-05-000	EA	Door Asm - Refrigerator Access - w/Twist Type Lock
	037804-12-000	EA	Door Asm - Battery LP - Beige - w/Twist Type Lock
	043663-02-000	EA	Door Asm - Generator - Beige - w/Twist Type Lock
	037804-10-000	EA	Door Asm - Luggage - Beige - w Key Type Lock
	041330-03-000	EA	Door Asm - Radius Trunk - Beige - Rear - T-Handle Lock
	009009-01-000	EA	Lock - T-Handle - Bent Cam - Trunk Door
	039884-01-000	EA	Kit - Lock - Twist Type w/Clip
	047305-01-000	EA	Kit - Lock - Key Type w/Clip
	044210-02-000	EA	Door Asm - Power Cord - 6" x 10" - Beige
	043942-01-000	EA	Latch - Power Cord Door - Quarter Turn Plastic

1976 WINNEBAGO TABLE OF CONTENTS

MW25C	A-1 - B-10
MW25CD	B-11 - C-18
MW20HG	C-19 - D-24
MW23RB	E-1 - F-5
MW23RD	F-9 - G-16
D23C	G-17 - I-6
D26CRB	I-7 - J-20
D26CRK	J-21 - L-10

1976 D26CRB INDEX

Floor Plan	I-7 - I-8
Accessories Group	I-9 - I-10
Bath Group	I-11 - I-12
Chassis Group	I-13 - I-14
Curtain, Cushion & Pad Group	I-15 - I-18
Dinette Group	I-19
Driver's Compartment Group	I-19 - I-20
Electrical Group	I-21 - I-22
Exterior Body Group	I-23 - I-24
	J-1 - J-2
Galley Group	J-3
Heating & Air Conditioning Group	J-4
Interior Finish Group	J-5 - J-6
LP Group	J-7
Lounge Group	J-7
Water & Sewage Group	J-8
Window, Vent & Exterior Door Group	J-9 - J-20