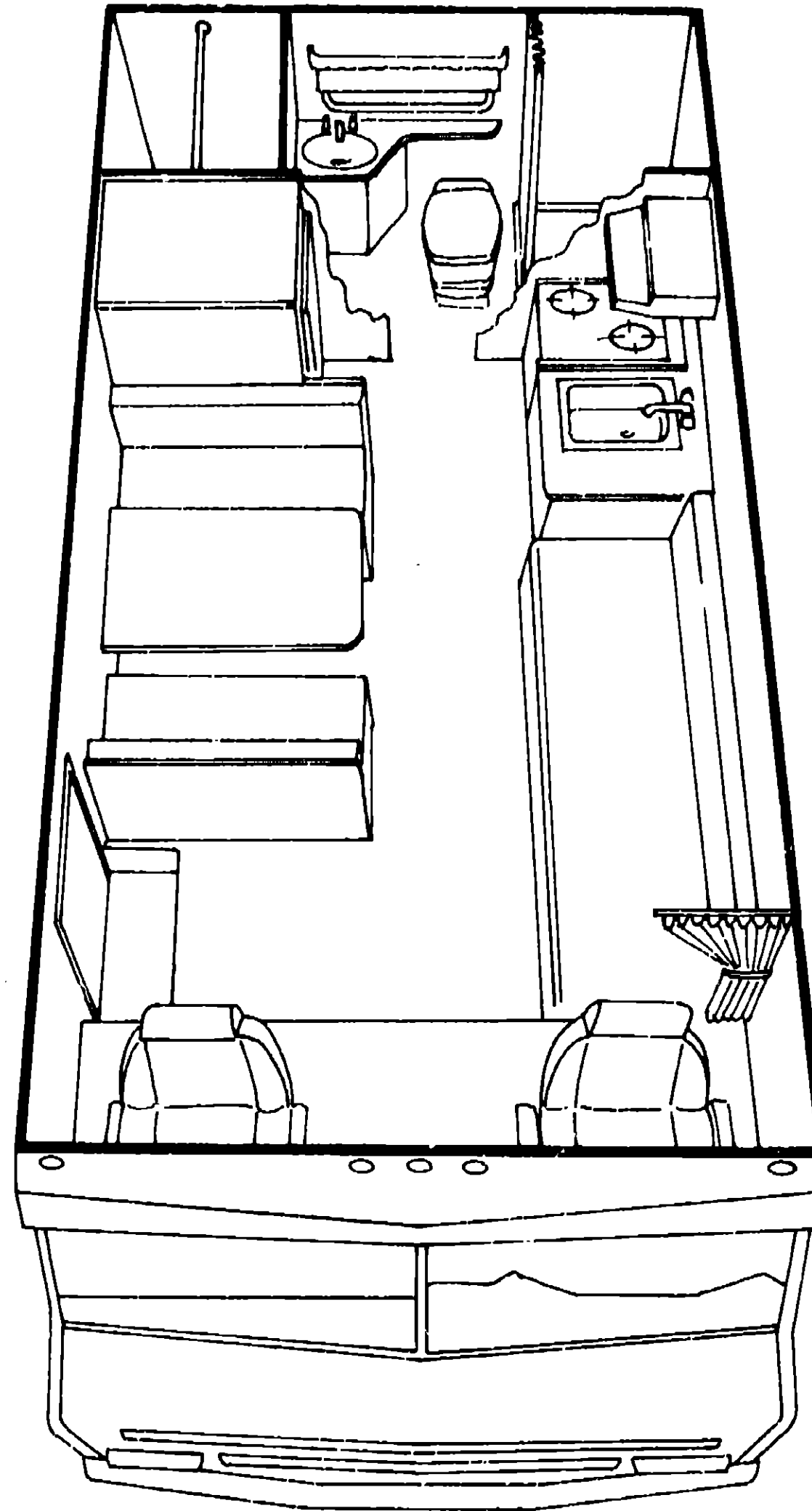


1976

D19



**1976 WINNEBAGO
TABLE OF CONTENTS**

Introduction	A-1
Abbreviations	A-1
Alphabetical Index	A-2 - A-4
D19	A-5 - B-16
D21	B-17 - D-4
D26RT	D-5 - E-18
D26CU	E-19 - G-4
D26CUL	G-5 - H-16
D27CU	H-17 - J-4
D27CUL	J-5 - K-12
D29CU	K-13 - L-22

1976 D19 INDEX

Floor Plan	A-5 - A-6
Accessories Group	A-7 - A-8
Bath Group	A-9
Chassis Group	A-9 - A-10
Curtain, Cushion & Pad Group	A-11 - A-13
Dinette Group	A-14
Driver's Compartment Group	A-15 - A-16
Electrical Group	A-17 - A-18
Exterior Body Group	A-19 - A-22
Galley Group	A-23
Heating & Air Conditioning Group	A-24
Interior Finish Group	B-1 - B-2
LP Group	B-3
Lounge Group	B-3
Water & Sewage Group	B-4
Window, Vent & Exterior Door Group	B-5 - B-16

ACCESSORIES GROUP

RADIOS AND RELATED ACCESSORIES

Key	Part Number	U/M	Description
	031105-01-000	EA	Antenna - Radio - Side Mount
	039870-01-000	EA	Kit - Radio Speaker - 5 1/4" w/Cover
	049730-01-000	EA	Radio - AM - w/Fader - Clarion
	049731-01-000	EA	Radio - AM/FM/MPX - w/Fader - Clarion
	049732-01-000	EA	Radio - AM/FM/MPX 8 Track - w/Fader - Clarion
	050044-01-000	EA	Radio - AM/FM/MPX 8 Track - w/CB - J.I.L.
	048146-01-000	EA	Radio - CB - Johnson Messenger 123A
	048164-01-000	EA	Radio - CB - Johnson Messenger 323
	048153-01-000	EA	Antenna - CB Campur Style
	050785-01-000	EA	Switch - Rear Volume Control - for J.I.L. Radio
	050751-01-000	EA	Plaque - Fader Switch/Mic Mounting
	050465-01-000	EA	Bezel - Entertainment Center Number 1 - (Radio Only)
	050466-01-000	EA	Bezel - Entertainment Center Number 2 - (Radio and Clock)

SPEED CONTROLS AND COMPONENTS

Key	Part Number	U/M	Description
	047841-01-000	EA	Speed Control Package - 360 C.I.D. - Dodge Lever Type A Body - Dana
	007255-01-700	EA	Regulator Asm.
	047841-01-701	EA	Servo Asm.
	047841-01-700	EA	Switch - Engage - Lever
	024746-01-703	EA	Harness Asm.
	007255-01-703	EA	Cable Asm. - Transmission - 42"
	007255-01-701	EA	Switch Asm. - Decelerate
	024746-01-700	EA	Relay - Speed Control

BUNK, CABINET AND HARDWARE

Key	Part Number	U/M	Description
	043462-02-000	EA	Bunk - Front or Rear - Overhead - (Board w/Rails)
	042988-01-000	EA	Support Asm. - Left or Right - Overhead Bunk - Dark Brown
	039516-02-000	EA	Catch - Bunk Safety - Overhead - Brown
	040071-01-700	EA	Support Kit - Overhead Bunk - Seat Belt
	006076-01-000	EA	Ladder - Bunk

ACCESSORIES GROUP (CONTINUED)

GENERATORS AND INSTALLATION KITS

Key	Part Number	U/M	Description
	007059-01-000	EA	Generator - Onan 2500 Watt LK w/Mounting Bolts and Rubber Feet
	007135-01-000	EA	Muffler - 2500 LK
	010632-01-000	EA	Pipe - Steel - Black 1" x 3" Tube
	010633-01-000	EA	Pipe - Steel - Black - 1" x 17" Tube
	039235-01-000	EA	Kit - 2500 Watt Onan LK Installation - w/o Bolt Package and Rubber Feet
	024076-01-000	EA	Switch - Generator - w/o Circuit Board
	044066-01-000	EA	Generator - 4000 Watt Onan BF w/Mounting Bolts and Rubber Feet
	007290-01-000	FA	Tailpipe - Generator - Exhaust 1.62" x 17"
	007291-01-000	LA	Elbow - Generator Exhaust - 1 3/8"
	024732-01-004	EA	Steel Tubing - 1.5" O.D. 18 Gauge x 34"
	024732-01-007	EA	Steel Tubing - 1.5" O.D. 18 Gauge x 43"
	039237-01-000	EA	Kit - 4,000, 5,000 and 6500 Onan Installation w/o Bolt Package and Rubber Feet
	007292-01-000	EA	Muffler - Generator
	037387-01-000	EA	Switch - Generator - w/Circuit Board
	046953-01-000	EA	Hanger - Tailpipe - 3"
	045226-01-000	EA	Drawer Asm. - Sliding Generator Tray
	007067-01-000	SF	Insulation - Fiberglass 1"
	007059-02-000	EA	Bolt Package - Generator Mounting
	007059-03-000	EA	Foot - Rubber - Generator Mounting
	042865-01-000	EA	Scoop - Generator Air
	031035-01-000	EA	Gauge - Hourmeter - Generator
	007125-01-000	EA	Clamp Asm. - Muffler 1.62" Dia.
	007125-03-000	EA	Clamp Asm. - Muffler 1.50" Dia.
	007125-07-000	EA	Clamp Asm. - Muffler 2.50" Dia.
	007131-01-000	EA	Hanger - Tailpipe - 8" Universal

MISCELLANEOUS ACCESSORIES

Key	Part Number	U/M	Description
	017516-01-000	EA	Mudflap - Black - 14" x 18" w/Holes
	006069-01-000	EA	Case - Leather Key - Motor Home
	007038-01-000	EA	Mat - Door - Black Rubber 10 1/2" x 26"
	006053-01-000	EA	Antenna - TV - Braun Delux
	006093-01-000	EA	Jack - TV - Brown (Antenna)
	040899-01-000	EA	Ladder Asm. w/Luggage Rack - Round
	040899-02-000	EA	Ladder Only - For Rack and Ladder Asm.
	006113-01-000	EA	Jack - Hydraulic, 5 Ton
	041944-01-700	EA	Fire Extinguisher - Dry Chemical w/Bracket
	034410-12-000	EA	Cover - Spare Tire - No "W" - 32"
	039779-01-000	EA	Cap - 4" Square - Rear Bumper - Rubber

1976 WINNEBAGO TABLE OF CONTENTS

Introduction	A-1
Abbreviations	A-1
Alphabetical Index	A-2 - A-4
D19	A-5 - B-16
D21	B-17 - D-4
D26RT	D-5 - E-18
D26CU	E-19 - G-4
D28CUL	G-5 - H-16
D27CU	H-17 - J-4
D27CUL	J-5 - K-12
D29CU	K-13 - L-22

1976 D19 INDEX

Floor Plan	A-5 - A-6
Accessories Group	A-7 - A-8
Bath Group	A-9
Chassis Group	A-9 - A-10
Curtain, Cushion & Pad Group	A-11 - A-13
Dinette Group	A-14
Driver's Compartment Group	A-15 - A-16
Electrical Group	A-17 - A-18
Exterior Body Group	A-19 - A-22
Galley Group	A-23
Heating & Air Conditioning Group	A-24
Interior Finish Group	B-1 - B-2
LP Group	B-3
Lounge Group	B-3
Water & Sewage Group	B-4
Window, Vent & Exterior Door Group	B-5 - B-16

BATH GROUP

Key	Part Number	U/M	Description
	045172-01-701	EA	Cabinet Asm. - Vanity - w/o Countertop, Doors or Hardware
	045172-01-700	EA	Countertop Asm. - Vanity Cabinet - Green
	045172-02-700	EA	Countertop Asm. - Vanity Cabinet - Gold
	045172-03-700	EA	Countertop Asm. - Vanity Cabinet - Orange
	042554-73-700	EA	Door Asm. - Vanity Cabinet - 13 1/2" x 28" - w/o Hardware
	045185-01-000	EA	Cabinet Asm. - Medicine - w/o Door or Hardware
	042554-10-700	EA	Door Asm. - Medicine Cabinet - 11 13/16" x 26" - w/o Hardware
	042554-74-700	EA	Door Asm. - Wardrobe Cabinet - 15" x 37" - w/o Hardware
	042488-01-000	EA	Door Asm. - Folding - 31.2" x 77 1/8" Walnut
	045390-01-000	EA	Sink - Oval - Ivory Plastic
	011050-01-000	EA	Faucet - Lavatory
	011083-01-000	EA	Plug - Sink - w/Chain
	044692-01-000	EA	Shower Pan - Ivory Plastic
	011086-01-000	EA	Strainer - Shower Pan
	011069-01-000	EA	Tailpiece - 1 1/4" x 4" - Brass
	034689-03-000	EA	Screw Cover - 10 PPH - Ivory
	011059-01-000	EA	Faucet - Shower
	037581-01-000	EA	Back Flow Preventer - Shower Faucet
	009133-02-000	EA	Bar - Towel Rack - 18" - Plastic
	023449-01-000	EA	Support - Towel Rack - Chrome
	033580-01-000	EA	Ring - Towel - Chrome w/Plastic Ring
	009134-01-000	EA	Holder - Toilet Tissue
	011048-01-000	EA	Shower Head - w/60" Hose
**	041840-01-000	EA	Toilet - Marine - Aqua Magic III
**	039341-02-000	EA	Toilet - Marine - Ivory - Aqua Magic Model SH

**The illustrated parts breakdown for this item is provided on the Common Items Fiche.

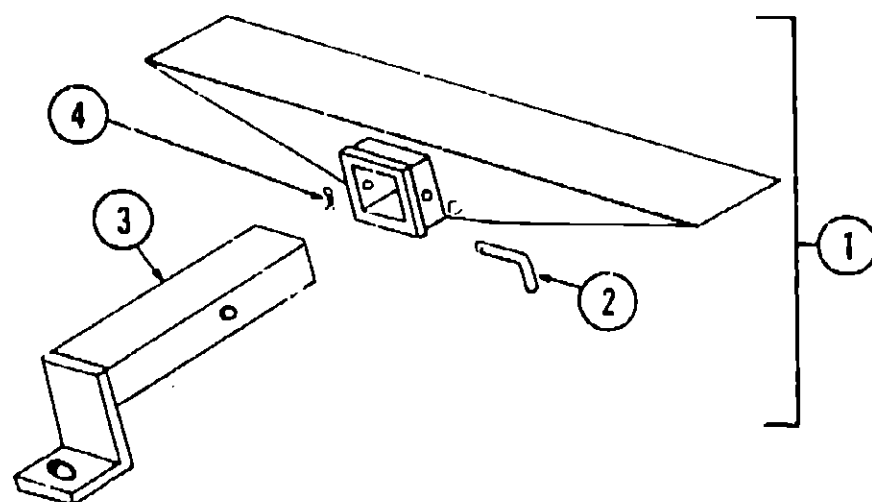
CHASSIS GROUP (CONTINUED)

Key	Part Number	U/M	Description
	024652-01-700	EA	Step Asm. - Pullout
	045602-02-000	EA	Panel Asm. - Headlight - Right
	045603-02-000	EA	Panel Asm. - Headlight - Left
	045011-01-000	EA	Hoodboard - Steel - Front - Right
	045611-02-000	EA	Hoodboard - Steel - Front - Left
	007062-01-000	FT	Tubing - 5/16" O.D. - Generator Fuel
	007134-01-000	EA	Clamp - Hose - Spring Type - 9/16"
	024138-01-000	FT	Hose - Fuel 5/16" I.D.
	024647-01-000	FT	Hose - Fuel 2 1/4" I.D.
	007137-01-000	EA	Clamp - Worm Gear 1 5/16" to 2 1/4"
	045814-01-000	EA	Fill - Gas - w/Vent 5.44" Long
	007138-01-000	EA	Clamp - 1/4" to 3/4" Dia.
	007180-01-000	EA	Gasket - 3/16" x 2" x 2" - Tire Carcass
	038882-01-000	EA	Tank - Fuel - Aux. - 27.8 Gallon
	017568-01-000	EA	Strap - Fuel Tank Mount
	038883-01-000	EA	Sending Unit - Fuel - 7.8 Ohm
	024591-01-000	EA	Fill - Gas - w/Vent - 5.50" Long
	024465-01-000	EA	Switch - Fuel
	024611-01-000	EA	Cap - Gas - Pressure - 1.50" Black
	024611-04-000	EA	Cap - Gas - Pressure - 1.50" Chrome
	021275-01-000	EA	Tray - Battery - Steel
	015365-01-000	EA	Pin - Tire Carrier
	040046-01-000	EA	Compartment - LP - Horizontal Plastic
	040047-01-000	EA	Bracket - LP Holddown
	035102-01-000	EA	Cover - Rear Radiator
	035260-01-000	EA	Well - Plastic - Black
	007131-01-000	EA	Hanger - Tailpipe - 8" - Universal
	007125-07-000	EA	Clamp Asm. - Muffler - 2.50" Dia.
	007258-01-000	EA	Tailpipe Curved - 2 1/2" x 48"
	007122-01-000	EA	Tailpipe - 2" x 48"
	007249-01-000	EA	Tailpipe - 2" x 58"

1976 WINNEBAGO TABLE OF CONTENTS

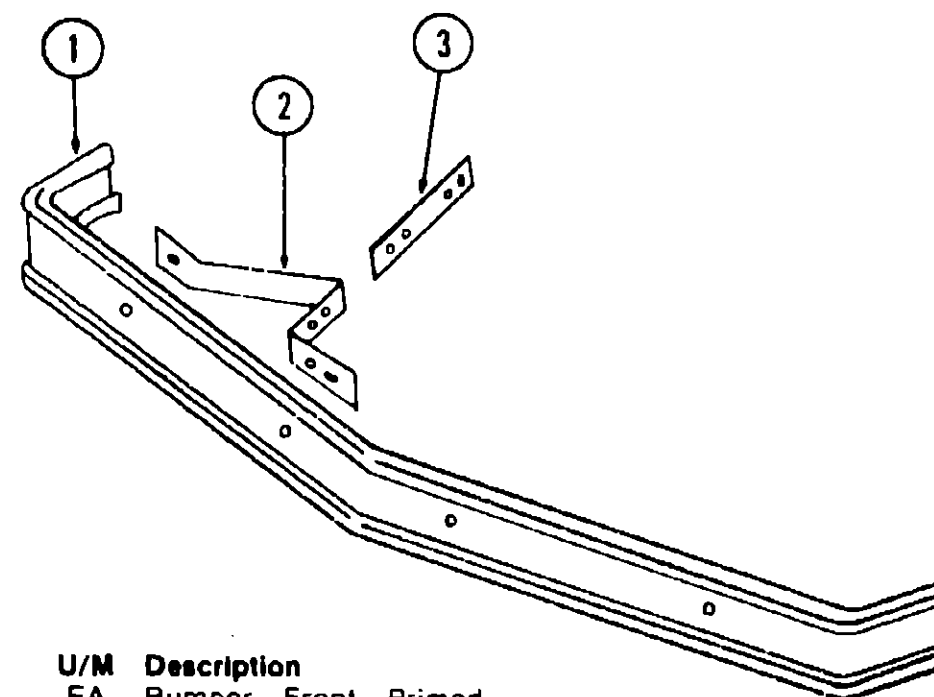
Introduction	A-1
Abbreviations	A-1
Alphabetical Index	A-2 - A-4
D19	A-5 - B-16
D21	B-17 - D-4
D26RT	D-5 - E-18
D26CU	E-19 - G-4
D26CUL	G-5 - H-16
D27CU	H-17 - J-4
D27CUL	J-5 - K-12
D29CU	K-13 - L-22

CHASSIS GROUP



Key	Part Number	U/M	Description
1	023895-01-700	EA	Hitch Kit - w/Drawbar
2	034512-01-000	EA	Pin - Locking Drawbar
3	024876-01-700	EA	Drawbar Asm. - Trailer Hitch - Primed
4	034513-01-000	EA	Pin - Hitch - 3/16" - Wire

A-9



Key	Part Number	U/M	Description
1	020859-01-700	EA	Bumper - Front - Primed
2	023496-02-000	EA	Bracket - Bumper - Off White
3	023520-02-000	EA	Bar - Bumper - Off White
.	021546-01-000	EA	Bumper Asm. - Rear - Square
.	039779-01-000	EA	Cap - Bumper - 4" x 4" for Square Bumper
.	046043-06-000	EA	Bracket Asm. - Rear Bumper
.	016452-01-000	EA	Bracket - Tire Carrier
.	040974-01-000	EA	Bracket - Retainer - Spare Tire
.	Not Illustrated		

A-10

1976 D19 INDEX

Floor Plan	A-5 - A-6
Accessories Group	A-7 - A-8
Bath Group	A-9
Chassis Group	A-9 - A-10
Curtain, Cushion & Pad Group	A-11 - A-13
Dinette Group	A-14
Driver's Compartment Group	A-15 - A-16
Electrical Group	A-17 - A-18
Exterior Body Group	A-19 - A-22
Galley Group	A-23
Heating & Air Conditioning Group	A-24
Interior Finish Group	B-1 - B-2
LP Group	B-3
Lounge Group	B-3
Water & Sewage Group	B-4
Window, Vent & Exterior Door Group	B-5 - B-16

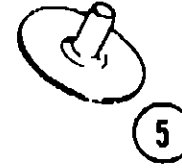
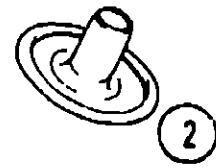
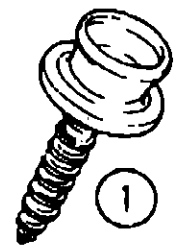
CURTAIN, CUSHION AND PAD GROUP

CURTAINS

Key	Part Number	U/M	Description
	043120-57-000	EA	Curtain w/Snap Top - 32" x 37" - Green
	043120-58-000	EA	Curtain w/Snap Top - 32" x 37" - Gold
	043120-59-000	EA	Curtain w/Snap Top - 32" x 37" - Orange
	043121-03-000	EA	Curtain w/Snap Top - 26" x 45" - Right - Green
	043121-04-000	EA	Curtain w/Snap Top - 26" x 45" - Right - Gold
	043121-05-000	EA	Curtain w/Snap Top - 26" x 45" - Right - Orange
	043122-03-000	EA	Curtain w/Snap Top - 26" x 45" - Left - Green
	043122-04-000	EA	Curtain w/Snap Top - 26" x 45" - Left - Gold
	043122-05-000	EA	Curtain w/Snap Top - 26" x 45" - Left - Orange
	043120-54-000	EA	Curtain w/Scap Top - 24.5" x 45" - Green
	043120-55-000	EA	Curtain w/Snap Top - 24.5" x 45" - Gold
	043120-56-000	EA	Curtain w/Snap Top - 24.5" x 45" - Orange
	043121-23-000	EA	Curtain w/Snap Top - 25" x 33" - Right - Green
	043121-24-000	EA	Curtain w/Snap Top - 25" x 33" - Right - Gold
	043121-25-000	EA	Curtain w/Snap Top - 25" x 33" - Right - Orange
	043122-23-000	EA	Curtain w/Snap Top - 25" x 33" - Left - Green
	043122-24-000	EA	Curtain w/Snap Top - 25" x 33" - Left - Gold
	043122-25-000	EA	Curtain w/Snap Top - 25" x 33" - Left - Orange
	041243-13-000	EA	Curtain - Wraparound - 25" x 116" - Right - Green
	041243-14-000	EA	Curtain - Wraparound - 25" x 116" - Right - Gold
	041243-15-000	EA	Curtain - Wraparound - 25" x 116" - Right - Orange
	041244-13-000	EA	Curtain - Wraparound - 25" x 116" - Left - Green
	041244-14-000	EA	Curtain - Wraparound - 25" x 116" - Left - Gold
	041244-15-000	EA	Curtain - Wraparound - 25" x 116" - Left - Orange
	033311-25-000	EA	Curtain - Blackout - 56" x 96" - Brown

CURTAIN HARDWARE

Key	Part Number	U/M	Description
	052327-04-236	EA	Curtain Track - Alum. - Brown - 89" w/Holes
	009107-01-000	EA	Guide - Curtain - Nylon Snap
	009223-01-000	EA	Rod - Curtain - Flat - Extends - 32" - 51"
	009223-02-000	EA	Rod - Curtain - Flat - Extends - 48" - 84"
	042439-01-000	EA	Bracket - Flat Curtain Rod - Left or Right
	018031-42-000	EA	Track - Curtain - "L" Rod - Alum. - 90"
	047171-01-000	EA	Track - Shower Curtain - Alum. "L" Rod
	009701-01-000	EA	Carrier w/Rollers - Curtain - "L" Rod
	009702-01-000	EA	End Stop - Curtain Track - "L" Rod
	009136-01-000	EA	Pin - Shower Curtain
	042536-01-000	EA	Track - Front Wraparound Curtain - Left - Alum.
	042536-03-000	EA	Track - Front Wraparound Curtain - Right - Alum.



Key	Part Number	U/M	Description
1	029130-01-000	EA	Socket - Snap Fastener - 7 x 5/8" (Tie Back)
2	029155-01-000	EA	Cap - Snap - .156" Dia. x .17" Barrel (Tie Back)
3	029156-01-000	EA	Socket - Snap Fastener (Tie Back)
4	029092-01-000	EA	Stud - Nickel Finish (Curtain)
5	029093-01-000	EA	Eyelet - Nickel Finish (Curtain)

CURTAIN, CUSHION AND PAD GROUP (CONTINUED)

TIE BACKS

Key	Part Number	U/M	Description
	031843-32-000	EA	Tie Back - Curtain - 18" - Brown Vinyl
	031843-40-000	EA	Tie Back - Curtain - 16" - Green
	031843-41-000	EA	Tie Back - Curtain - 16" - Gold
	031843-42-000	EA	Tie Back - Curtain - 16" - Orange

VALANCES

Key	Part Number	U/M	Description
	041291-45-000	EA	Valance w/Header - 5.5" x 92" - Green
	041291-46-000	EA	Valance w/Header - 5.5" x 92" - Gold
	041291-47-000	EA	Valance w/Header - 5.5" x 92" - Orange
	041291-42-000	EA	Valance w/Header - 5.5" x 45" - Green
	041291-43-000	EA	Valance w/Header - 5.5" x 45" - Gold
	041291-44-000	EA	Valance w/Header - 5.5" x 45" - Orange
	041291-70-000	EA	Valance w/Header - 5.5" x 68" - Green
	041291-71-000	EA	Valance w/Header - 5.5" x 68" - Gold
	041291-72-000	EA	Valance w/Header - 5.5" x 68" - Orange

BUNK MATTRESSES

Key	Part Number	U/M	Description
	041914-13-000	EA	Mattress - Flexsteel - 42" x 79" x 4" - Green
	041914-14-000	EA	Mattress - Flexsteel - 42" x 79" x 4" - Gold
	041914-15-000	EA	Mattress - Flexsteel - 42" x 79" x 4" - Orange

DINETTE CUSHIONS

Key	Part Number	U/M	Description
	041907-73-000	EA	Cushion - Mitered - 4" x 21.5" x 36.5" - Green
	041907-74-000	EA	Cushion - Mitered - 4" x 21.5" x 36.5" - Gold
	041907-75-000	EA	Cushion - Mitered - 4" x 21.5" x 36.5" - Orange
	041907-73-073	EA	Cover - Cushion - Mitered - 4" x 21.5" x 36.5" - Green
	041907-74-074	EA	Cover - Cushion - Mitered - 4" x 21.5" x 36.5" - Gold
	041907-75-075	EA	Cover - Cushion - Mitered - 4" x 21.5" x 36.5" - Orange
	041907-76-000	EA	Cushion - Mitered - 4" x 11.75" x 36.5" - Green
	041907-77-000	EA	Cushion - Mitered - 4" x 11.75" x 36.5" - Gold
	041907-78-000	EA	Cushion - Mitered - 4" x 11.75" x 36.5" - Orange
	041907-76-076	EA	Cover - Cushion - Mitered - 4" x 11.75" x 36.5" - Green
	041907-77-077	EA	Cover - Cushion - Mitered - 4" x 11.75" x 36.5" - Gold
	041907-78-078	EA	Cover - Cushion - Mitered - 4" x 11.75" x 36.5" - Orange

FABRICS AND PADS

Key	Part Number	U/M	Description
	041198-01-000	YD	Fabric - Drapery - Green (Sauterne)
	041198-02-000	YD	Fabric - Drapery - Gold (Mustard)
	041199-03-000	YD	Fabric - Drapery - Orange (Comquat)
	041197-01-000	YD	Fabric - Upholstery - Green (Sauterne)
	041197-02-000	YD	Fabric - Upholstery - Gold (Mustard)
	041197-03-000	YD	Fabric - Upholstery - Orange (Comquat)
	042411-03-000	YD	Vinyl - Nonsupport - 16 Gauge - Brown
	042411-01-000	YD	Vinyl - Nonexpanded - 27 Ounce - Brown
	043486-09-000	EA	Pad - Dinette Seat Frame - Front - Brown
	042085-02-000	EA	Pad - End - Dinette Overhead - Brown

**1976 WINNEBAGO
TABLE OF CONTENTS**

Introduction	A-1
Abbreviations	A-1
Alphabetical Index	A-2 - A-4
D19	A-5 - B-16
D21	B-17 - D-4
D26RT	D-5 - E-18
D26CU	E-19 - G-4
D26CUL	G-5 - H-16
D27CU	H-17 - J-4
D27CUL	J-5 - K-12
D29CU	K-13 - L-22

1976 D19 INDEX

Floor Plan	A-5 - A-6
Accessories Group	A-7 - A-8
Bath Group	A-9
Chassis Group	A-9 - A-10
Curtain, Cushion & Pad Group	A-11 - A-13
Dinette Group	A-14
Driver's Compartment Group	A-15 - A-16
Electrical Group	A-17 - A-18
Exterior Body Group	A-19 - A-22
Galley Group	A-23
Heating & Air Conditioning Group	A-24
Interior Finish Group	B-1 - B-2
LP Group	B-3
Lounge Group	B-3
Water & Sewage Group	B-4
Window, Vent & Exterior Door Group	B-5 - B-16

CURTAIN, CUSHION AND PAD GROUP (CONTINUED)

LOUNGE CUSHIONS

Key	Part Number	U/M	Description
	041907-88-000	EA	Cushion - Mitered - 4" x 22" x 74" - Green
	041907-89-000	EA	Cushion - Mitered - 4" x 22" x 74" - Gold
	041907-90-000	EA	Cushion - Mitered - 4" x 22" x 74" - Orange
	041907-88-088	EA	Cover - Cushion - Mitered - 4" x 22" x 74" - Green
	041907-89-088	EA	Cover - Cushion - Mitered - 4" x 22" x 74" - Gold
	041907-90-080	EA	Cover - Cushion - Mitered - 4" x 22" x 74" - Orange
	041908-15-000	EA	Cushion - 2 Fold - Mitered - Green
	041908-16-000	EA	Cushion - 2 Fold - Mitered - Gold
	041908-17-000	EA	Cushion - 2 Fold - Mitered - Orange
	041908-15-015	EA	Cover - Cushion - 2 Fold - Mitered - Green
	041908-16-016	EA	Cover - Cushion - 2 Fold - Mitered - Gold
	041908-17-017	EA	Cover - Cushion - 2 Fold - Mitered - Orange

BUCKET SEATS, ARMRESTS AND HEADRESTS

Key	Part Number	U/M	Description
	040517-05-000	EA	Seat Asm. - Single Bucket w/o Slides - Green (Sauterne)
	040517-06-000	EA	Seat Asm. - Single Bucket w/o Slides - Gold (Mustard)
	040517-07-000	EA	Seat Asm. - Single Bucket w/o Slides - Orange (Comquat)
	040516-05-001	EA	Cover Asm. - Single Bucket Seat Back - Green (Sauterne)
	040516-06-001	EA	Cover Asm. - Single Bucket Seat Back - Gold (Mustard)
	040516-07-001	EA	Cover Asm. - Single Bucket Seat Back - Orange (Comquat)
	040516-05-002	EA	Cover Asm. - Single Bucket - Seat Bottom - Green (Sauterne)
	040516-06-002	EA	Cover Asm. - Single Bucket Seat Bottom - Gold (Mustard)
	040516-07-002	EA	Cover Asm. - Single Bucket Seat Bottom - Orange (Comquat)
	040518-03-000	EA	Seat Asm. - Double Bucket - Green (Sauterne)
	040518-04-000	EA	Seat Asm. - Double Bucket - Gold (Mustard)
	040518-05-000	EA	Seat Asm. - Double Bucket - Orange (Comquat)
	040518-03-001	EA	Cover Asm. - Double Bucket Seat Back - Green (Sauterne)
	040518-04-001	EA	Cover Asm. - Double Bucket Seat Back - Gold (Mustard)
	040518-05-001	EA	Cover Asm. - Double Bucket Seat Back - Orange (Comquat)
	040518-03-002	EA	Cover Asm. - Double Bucket Seat Bottom - Green (Sauterne)
	040518-04-002	EA	Cover Asm. - Double Bucket Seat Bottom - Gold (Mustard)
	040518-05-002	EA	Cover Asm. - Double Bucket Seat Bottom - Orange (Comquat)
	040494-01-000	EA	Armrest Asm. - Foam w/o Cover - Right - Style #1
	040494-02-000	EA	Armrest Asm. - Foam w/o Cover - Left - Style #1
	050275-01-700	EA	Armrest Asm. - Foam w/o Cover - Right - Style #2
	050276-01-700	EA	Armrest Asm. - Foam w/o Cover - Left - Style #2
	040492-09-009	EA	Armrest Cover - Right or left - Green
	040492-10-010	EA	Armrest Cover - Right or Left - Gold
	040492-11-011	EA	Armrest Cover - Right or Left - Orange
	019722-01-000	EA	Headrest Asm. - Foam w/o Cover
	033906-15-000	EA	Headrest Cover - Green
	033906-16-000	EA	Headrest Cover - Gold
	033906-17-000	EA	Headrest Cover - Orange

NOTE

A production change was made in the armrest. When ordering, you must first determine which style is required. Measure up ten inches from the bottom of the seat frame. If you feel (through the upholstery) a collar protruding outward approximately 1/2", you should order style two. Order style one if no protrusion is noted.

DINETTE GROUP

Key	Part Number	U/M	Description
	043829-05-700	EA	Table Asm. - Dinette w/o Hardware - Green
	043829-06-700	EA	Table Asm. - Dinette w/o Hardware - Gold
	043829-07-700	EA	Table Asm. - Dinette w/o Hardware - Orange
	047842-01-000	EA	Kit - Dinette Table Leg - Brown
	047809-01-000	EA	Kit - Hardware - Dinette Table Wall Mount
	045150-01-000	EA	Seat Asm. - Dinette - Front w/o Door or Hardware
	042554-21-700	EA	Door Asm. - Dinette Seat - 10 3/4" x 18" - w/o Hardware
	045151-01-000	EA	Back Asm. - Dinette Seat - Front
	045153-01-000	EA	Seat Asm. - Dinette - Rear
	045154-01-000	EA	Back Asm. - Dinette Seat - Rear
	045156-01-000	EA	Cabinet Asm. - Dinette Overhead - w/o Doors or Hardware
	042554-10-700	EA	Door Asm. - Dinette Overhead Cabinet - 11 13/16" x 26" - w/o Hardware

**1976 WINNEBAGO
TABLE OF CONTENTS**

Introduction	A-1
Abbreviations	A-1
Alphabetical Index	A-2 - A-4
D19	A-5 - B-16
D21	B-17 - D-4
D26RT	D-5 - E-18
D26CU	E-19 - G-4
D26CUL	G-5 - H-16
D27CU	H-17 - J-4
D27CUL	J-5 - K-12
D29CU	K-13 - L-22

1976 D19 INDEX

Floor Plan	A-5 - A-6
Accessories Group	A-7 - A-8
Bath Group	A-9
Chassis Group	A-9 - A-10
Curtain, Cushion & Pad Group	A-11 - A-13
Dinette Group	A-14
Driver's Compartment Group	A-15 - A-16
Electrical Group	A-17 - A-18
Exterior Body Group	A-19 - A-22
Galley Group	A-23
Heating & Air Conditioning Group	A-24
Interior Finish Group	B-1 - B-2
LP Group	B-3
Lounge Group	B-3
Water & Sewage Group	B-4
Window, Vent & Exterior Door Group	B-5 - B-16

DRIVER'S COMPARTMENT GROUP

DASH PANEL AND COMPONENTS

Key	Part Number	U/M	Description
	031823-08-000	EA	Dash Asm. - Brave - Complete w/Gauges and Switches - Dark Brown
	022548-03-000	EA	Pad - Dash - Foam - Right - Dark Brown
	023242-05-000	EA	Pad - Dash - Foam - Left - Dark Brown
	023742-02-000	EA	Pad - Dash - Foam - Left - Oxen Tan
	022548-03-000	EA	Pad - Dash - Foam - Right - Oxen - Tan
	022219-01-000	EA	Door - Glove Compartment
	009118-01-000	EA	Lock - Twist w/Nut
	023892-01-000	EA	Box - Glove Compartment - Black Fiberboard
	009066-01-000	EA	Hinge - Continuous Alum. - 11/16" x 72" - Plain
	034309-01-000	EA	Chain - Bead - Glove Box Door
	023834-01-000	EA	Panel - Knee Kick - (Bottom of Dash
	024418-01-000	EA	Lamp Asm. - Map/Gauge
	007308-01-000	EA	Clock - Dash
	007037-01-000	EA	Lighter Asm. - Cigarette 12-Volt
	007041-01-000	EA	Bezel - Cigarette Lighter
	024979-01-000	EA	Bezel - Entertainment Center
	007071-01-000	EA	Louver - Chrome - w/Chrome Wheel
	022547-01-000	EA	Bezel - Panel - Control
	023020-01-000	EA	Lamp Asm. - Tail Tale
	039044-01-000	EA	Louver Asm. - A/C Adjustable
	040636-01-000	EA	Bracket Asm. - Shift Lever
	042960-01-000	EA	Nameplate - Brave - Brown/Silver
	031973-01-000	EA	Angle - Bezel - Shift Lever - Black

BUCKET SEAT PEDESTAL AND SEAT BELTS

Key	Part Number	U/M	Description
	038837-01-000	EA	Pedestal Asm. - Seat Bottom w/Tightener
	038832-01-000	EA	Rod - Seat Adjuster
	041654-01-000	EA	Pedestal - Base - Single and Double Seat
	007223-01-000	EA	Adjuster Asm. - Seat w/Lock
	007224-02-000	EA	Handle - Seat Adjuster - 9"
	007227-01-000	EA	Adjuster Asm. - Seat - w/o Lock
	041459-01-000	EA	Pedestal - Top - Single Seat
	007019-01-000	EA	Belt Asm. - Seat - 2" x 84 - Black
	041322-01-000	EA	Washer - Flat - 15/32" I.D. x 2 3/8" O.D. - Seat Belt

SWITCHES AND GAUGES

Key	Part Number	U/M	Description
	024976-01-000	EA	Switch - Generator w/o Circuit Board
	037387-01-000	EA	Switch - Generator w/Circuit Board
	024990-02-000	EA	Outlet - Defroster - w/Swivel - 2" - Dark Brown
	031376-01-000	EA	Heater Control Asm. - 3-Speed
	024907-01-000	EA	Control Asm. - Heater - A/C - 3 Speed
	024461-01-000	EA	Switch - Battery
	024463-01-000	EA	Switch - Blinker
	024464-01-000	EA	Switch - Washer
	024465-01-000	EA	Switch - Fuel
	024467-01-000	EA	Switch - Wiper
	024459-01-000	EA	Gauge Asm. - Voltmeter
	024460-01-000	EA	Gauge Asm. - Vacuum
	024462-01-000	EA	Switch - Battery Condition
	031035-01-000	EA	Gauge - Hourmeter - Generator

DRIVER'S COMPARTMENT GROUP (CONTINUED)

FRONT OVERHEAD BUNK CABINET

Key	Part Number	U/M	Description
	042080-02-000	EA	Cabinet Asm. - Front Overhead - w/o Doors or Hardware
	042964-03-000	EA	Door Asm. - Front Overhead
	009148-01-000	EA	Pull - Finger - 3/4" Dia. - Brass
	009785-01-000	FT	Track - Door - Upper - Dark Brown
	009786-01-000	FT	Track - Door - Lower - Dark Brown

MISCELLANEOUS DRIVER'S COMPARTMENT COMPONENTS

Key	Part Number	U/M	Description
	048583-01-000	EA	Tray Asm. - Beverage
	048670-01-000	EA	Track Asm. - Beverage (2 Per Tray)
	034800-01-000	EA	Cover - Motor - Plastic
	039857-01-000	EA	Latch - Rubber - Draw Handle - 5 3/4" w/Strike (Motor Cover)
	039856-01-000	EA	Latch - Rubber - Draw Handle - 3" w/Strike (Motor Cover)
	035368-02-000	EA	Seal - Motor Cover - (Aluminum Extr.)
	040519-01-000	EA	Boot - Rubber - Steering Column
	040520-01-000	EA	Boot - Retainer - Steering Column
	034499-01-000	EA	Support - Dimmer Switch
	022758-04-000	EA	Sunvisor Asm. - Right Bostonian
	022759-06-000	EA	Sunvisor Asm. - Left Bostonian
	041842-01-000	EA	Clip - Sunvisor Rod - Brown Bostonian
	009143-01-000	EA	Mirror - Sunvisor
	007278-01-000	EA	Mirror - Rear View
	036414-01-000	EA	Ashtray

**1976 WINNEBAGO
TABLE OF CONTENTS**

Introduction	A-1
Abbreviations	A-1
Alphabetical Index	A-2 - A-4
D19	A-5 - B-16
D21	B-17 - D-4
D26RT	D-5 - E-18
D26CU	E-19 - G-4
D26CUL	G-5 - H-16
D27CU	H-17 - J-4
D27CUL	J-5 - K-12
D29CU	K-13 - L-22

1976 D19 INDEX

Floor Plan	A-5 - A-6
Accessories Group	A-7 - A-8
Bath Group	A-9
Chassis Group	A-9 - A-10
Curtain, Cushion & Pad Group	A-11 - A-13
Dinette Group	A-14
Driver's Compartment Group	A-15 - A-16
Electrical Group	A-17 - A-18
Exterior Body Group	A-19 - A-22
Galley Group	A-23
Heating & Air Conditioning Group	A-24
Interior Finish Group	B-1 - B-2
LP Group	B-3
Lounge Group	B-3
Water & Sewage Group	B-4
Window, Vent & Exterior Door Group	B-5 - B-16

ELECTRICAL GROUP

BULBS

Key	Part Number	U/M	Description
	037935-01-000	EA	Bulb - 1157
	038010-01-000	EA	Bulb - 1143
	008103-01-000	EA	Bulb 53
	008213-01-000	EA	Bulb - 57
	008214-01-000	EA	Bulb - 67
	008215-01-000	EA	Bulb - 1003
	008216-01-000	EA	Bulb - 1034
	008217-01-000	EA	Bulb - 1073
	008218-01-000	EA	Bulb - 1141
	008219-01-000	EA	Bulb - 656
	008220-01-000	EA	Bulb - 12V - 25W
	036196-01-000	EA	Bulb - 194
	700020-01-000	EA	Bulb - 12V - 20W - 1083

EXTERIOR LIGHTS

Key	Part Number	U/M	Description
	031054-01-000	EA	Lamp - Tail - Left - White
	031055-01-000	EA	Lamp - Tail - Right - White
	039865-01-000	EA	Clearance Light - Round - Red
	039866-01-000	EA	Clearance Light - Round - Amber
	033748-01-000	EA	Light - Clearance - Oval - Amber
	033748-02-000	EA	Light - Clearance - Oval - Red

INTERIOR LIGHTS

Key	Part Number	U/M	Description
	024418-01-000	EA	Lamp Asm. - Map/Gauge/Aisle
	024473-01-000	EA	Light - Aircraft - 1 Bulb - Gold
	033508-01-000	EA	Light - Dome - Ivory - 1 Bulb
	024642-01-701	EA	Lens - Dome - Light - 1 Bulb
	033509-01-000	EA	Light - Dome - Ivory - 2 Bulb
	024643-01-701	EA	Lens - Dome Light - 2 Bulb

FUSES AND CIRCUIT BREAKERS

Key	Part Number	U/M	Description
	00P233-01-000	EA	Fuse - 12 Volt - 6 Amp.
	008234-01-000	EA	Fuse - 12 Volt - 10 Amp.
	008235-01-000	EA	Fuse - 12 Volt - 15 Amp.
	008236-01-000	EA	Fuse - 12 Volt - 20 Amp.
	008248-01-000	EA	Fuse - 110 Volt - 30 Amp. - AGU
	008252-01-000	EA	Fuse - 110 Volt - 50 Amp.
	008208-01-000	EA	Circuit Breaker - 12 Volt - 40 Amp.
	008211-01-000	EA	Circuit Breaker - 12 Volt - 6 Amp.
	008268-01-000	EA	Circuit Breaker - 12 Volt - 30 Amp. w/Mount
	033573-01-000	EA	Circuit Breaker - 12 Volt - 20 Amp. w/Mount
	040051-01-000	EA	Circuit Breaker - 110 Volt - 20 Amp. - TQL

ELECTRICAL GROUP (CONTINUED)

WINDSHIELD WIPER AND WASHER

Key	Part Number	U/M	Description
	007029-01-000	EA	Washer - Electric - Windshield
	037997-01-000	EA	Arm - Windshield Wiper - 15"
	037998-01-000	EA	Link Asm. - Connecting - 22.40" Long
	037999-01-000	EA	Motor Asm. - Windshield Wiper
	038000-01-000	EA	Blade - Windshield Wiper - 16"
	038001-01-000	EA	Shaft and Pivot Asm. - 2.25" Arm
	700073-05-000	EA	Pump and Cover Asm. - Windshield Washer
	700073-04-000	EA	Reservoir Only - Water - Windshield Washer
	700073-02-000	EA	Washer Nozzle Hardware Package

WIRE, SWITCHES, AND RECEPTACLES

Key	Part Number	U/M	Description
	008024-01-000	FT	Wire - 18.5 Bonded - Orange/White/Yellow/Blue/Brown
	008025-01-000	FT	Wire - 18.5 Bonded - Orange/White/Yellow/Blue/Green
	008028-01-000	FT	Wire - 18.5 Bonded - Blue/Red/Yellow/Orange/White
	008030-01-000	FT	Wire - 18.4 Bonded
	008251-01-000	EA	Holder - Fuse - Black - Screw Type
	008277-01-000	EA	Holder - Fuse - Black - Panel Mount
	008195-01-000	EA	Switch - Push Button - 12 Volt
	006077-01-000	EA	Plaque - Compressor Switch
	008054-01-000	EA	Cord - Power - 10-3 30 Amp. - 25' - UL
	034818-04-000	EA	Holder - Receptacle - Plastic
	039338-01-000	EA	Cover Plate - Receptacle - Plastic - Brown
	039342-01-000	EA	Receptacle - Duplex Brown - T Junction
	024571-01-000	EA	Cover Plate - Receptacle - Jumbo Steel Brown
	039343-01-000	EA	Cap - End - Receptacle
	008162-01-000	EA	Switch - Double Toggle - Spade Brown
	008163-01-000	EA	Switch - Toggle Brown
	008164-01-000	EA	Cover Plate - Switch - Brown
	024924-01-000	EA	Receptacle - Power Cord
	008058-01-000	EA	Adaptor - Power Cord
	047353-01-000	EA	Cover - Receptacle - Ground Fault
	047351-01-000	EA	Receptacle - Ground Fault Interrupter - 125 Volt Black

MISCELLANEOUS ELECTRICAL COMPONENTS

Key	Part Number	U/M	Description
	047338-01-000	EA	Isolator - Dual Battery
	047389-01-700	EA	Battery - 12 Volt - 105 Amp. Deep Cycle - Dry
	008188-01-000	EA	Solenoid - Dual Battery - Relay
	046775-01-000	EA	Valve - Gas - Change Over
	039950-02-000	EA	Control Center - 30 Amp. w/Door - UL
	024417-01-000	EA	Panel - Control - Water/Double Sewage - Wemac
	039851-01-000	EA	Sending Unit Kit - Wemac
	024459-01-000	EA	Gauge - Voltmeter
	024462-01-000	EA	Switch - Battery Condition
	031035-01-000	EA	Gauge - Hour Meter - Generator
	024976-01-000	EA	Switch - Generator w/o Circuit Board
	024460-01-000	EA	Gauge - Vacuum

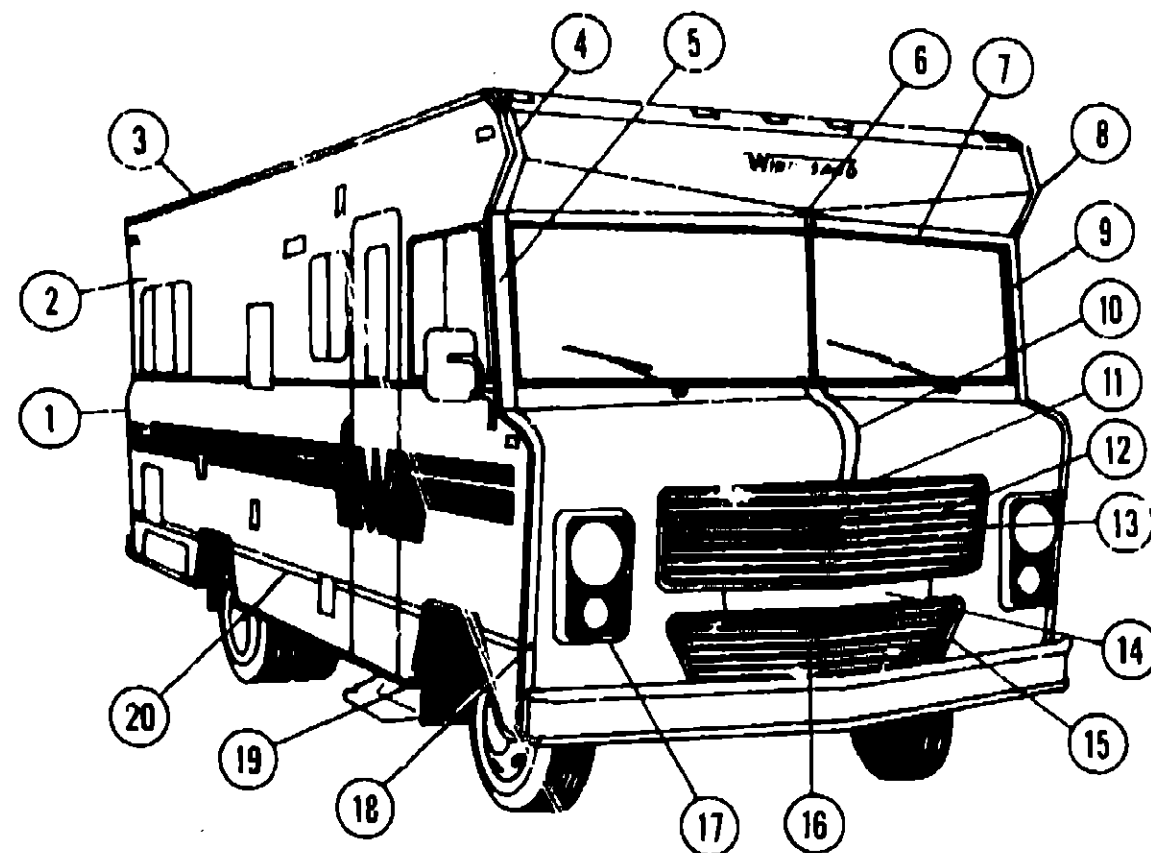
1976 WINNEBAGO TABLE OF CONTENTS

Introduction	A-1
Abbreviations	A-1
Alphabetical Index	A-2 - A-4
D19	A-5 - B-16
D21	B-17 - D-4
D26RT	D-5 - E-18
D26CU	E-19 - G-4
D26CUL	G-5 - H-16
D27CU	H-17 - J-4
D27CUL	J-5 - K-12
D29CU	K-13 - L-22

1976 D19 INDEX

Floor Plan	A-5 - A-6
Accessories Group	A-7 - A-8
Bath Group	A-9
Chassis Group	A-9 - A-10
Curtain, Cushion & Pad Group	A-11 - A-13
Dinette Group	A-14
Driver's Compartment Group	A-15 - A-16
Electrical Group	A-17 - A-18
Exterior Body Group	A-19 - A-22
Galley Group	A-23
Heating & Air Conditioning Group	A-24
Interior Finish Group	B-1 - B-2
LP Group	B-3
Lounge Group	B-3
Water & Sewage Group	B-4
Window, Vent & Exterior Door Group	B-5 - B-16

EXTERIOR BODY GROUP



1976 WINNEBAGO TABLE OF CONTENTS

Introduction	A-1
Abbreviations	A-1
Alphabetical Index	A-2 - A-4
D19	A-5 - B-16
D21	B-17 - D-4
D26RT	D-5 - E-18
D28CU	E-19 - G-4
D26CUL	G-5 - H-16
D27CU	H-17 - J-4
D27CUL	J-5 - K-12
D29CU	K-13 - L-22

1976 D19 INDEX

Floor Plan	A-5 - A-6
Accessories Group	A-7 - A-8
Bath Group	A-9
Chassis Group	A-9 - A-10
Curtain, Cushion & Pad Group	A-11 - A-13
Dinette Group	A-14
Driver's Compartment Group	A-15 - A-16
Electrical Group	A-17 - A-18
Exterior Body Group	A-19 - A-22
Galley Group	A-23
Heating & Air Conditioning Group	A-24
Interior Finish Group	B-1 - B-2
LP Group	B-3
Lounge Group	B-3
Water & Sewage Group	B-4
Window, Vent & Exterior Door Group	B-5 - B-16

Key	Part Number	U/M	Description
1	015251-03-000	EA	Trim - Contour - Right Rear Lower
•	015252-03-000	EA	Trim - Contour - Left Rear Lower
2	021213-02-000	EA	Trim - Contour - Right Rear Upper
•	020965-02-000	EA	Trim - Contour - Left Rear Upper
3	044381-02-001	EA	Extrusion - Anodized Awning Rail - 16'
4	042801-04-000	EA	Trim - Contour - Right Front Upper
5	042894-04-000	EA	Trim - Contour - Right - Windshield
6	024582-03-000	EA	Trim - Roof - Center Front
7	043988-01-000	EA	Trim - Windshield - 91"
8	042801-02-000	EA	Trim - Contour - Left Front Upper
9	042894-02-000	EA	Trim - Contour - Left - Windshield
10	024501-04-000	EA	Trim - Center - Front Wall
11	024764-01-000	EA	Trim - Anodized - Upper Grille - Top Center
12	043251-01-000	EA	Grille Asm. - Upper
•	035388-01-000	EA	Hood Pin Kit - 7/16" - 20 x 3.5" Long
•	044186-01-000	EA	Rod - Grille
13	044155-01-000	EA	Trim - Upper Grille - Side - Left or Right
14	048542-03-000	EA	Center Asm. - Grille - Between Upper and Lower Grille
15	043253-02-000	EA	Trim - Lower Grille - Side - Left
•	043253-01-000	EA	Trim - Lower Grille Side - Right

Key	Part Number	U/M	Description
16	043254-01-000	EA	Grille Asm. - Lower
17	046774-02-000	EA	Bezel - Headlight - Off White Plastic - Right
•	046774-01-000	EA	Bezel - Headlight - Off White Plastic - Left
•	045239-01-000	EA	Headlight Cup - Plastic - Left or Right
•	045553-01-000	EA	Bracket - Headlight Bezel
•	045640-01-000	EA	Decal - Headlight Bezel - Black
18	042730-04-000	EA	Trim - Contour - Right Front Lower
•	042730-02-000	EA	Trim - Contour - Left Front Lower
19	042821-01-000	EA	Trim - Wheel Well - Left or Right - Front or Rear
20	002444-02-003	EA	Extrusion - Feature Strip w/o Insert - 18'
•	001030-03-002	EA	Insert - Feature Strip - .019" x 13/16" x 17'
•	009731-01-000	EA	End Cap - Feature Strip
•	043252-01-000	EA	Trim - Lower Hoodboard - Right
•	043252-02-000	EA	Trim - Lower Hoodboard - Left
•	043752-01-000	EA	Hoodboard - Front Right
•	043752-02-000	EA	Hoodboard - Front Left
•	002796-02-002	EA	Extrusion - U Channel - Serrated - 16'
•	002365-02-001	EA	Extrusion - U Channel - Serrated - 1" x 18'
•	044582-02-000	EA	Drip Cap - Entrance Door Jamb - Off White
•			Not Illustrated

EXTERIOR BODY GROUP (CONTINUED)

BODY PANELS AND SHEET ALUMINUM

Key	Part Number	U/M	Description
	045124-01-000	EA	Sidewall Asm. - Left
	045128-01-000	EA	Sidewall Asm. - Right
	045129-01-000	EA	Backwall Asm.
	045133-01-000	EA	Roof Asm.
	045133-01-700	EA	Roof Section - Windshield to First Seam
	039155-03-008	EA	Alum. - Off White - Mesa Design - .024" x 36" x 60"
	039155-03-002	EA	Alum. - Off White - Mesa Design - .024" x 36" x 300"
	039155-03-003	EA	Alum. - Off White - Mesa Design - .024" x 36" x 360"
	039155-03-007	EA	Alum. - Off White - Mesa Design - .024" x 48" x 60"
	039155-03-005	EA	Alum. - Off White - Mesa Design - .024" x 48" x 300"
	039155-03-006	EA	Alum. - Off White - Mesa Design - .024" x 48" x 360"
	039155-03-009	EA	Alum. - Off White - Mesa Design - .024" x 12" x 360"
	044487-01-001	EA	Alum. - Mill Finish - No Design (Roof) - 96" x 360"
	039155-07-010	EA	Alum. - Off White - Greyhound Design - 48" x 96"
	001054-01-011	EA	Alum. - Off White - No Design - 48" x 96"

EXTERIOR PAINT

Key	Part Number	U/M	Description
	041561-01-000	EA	Off White - Acrylic Enamel - 1 Gallon
	041561-03-000	EA	Off White - Acrylic Enamel - 16 Oz. Aerosol
	041561-04-000	EA	Off White - Acrylic Lacquer - 1 Gallon
	041563-01-000	EA	Burnt Orange - Acrylic Enamel - 1 Gallon
	041563-03-000	EA	Burnt Orange - Acrylic Enamel - 16 Oz. Aerosol
	041565-01-000	EA	Rally Yellow - Acrylic Enamel - 1 Gallon
	041565-03-000	EA	Rally Yellow - Acrylic - 16 Oz. Aerosol
	045681-01-000	EA	High Gloss Black - Acrylic Enamel - 1 Gallon
	045681-03-000	EA	High Gloss Black - Acrylic Enamel - 16 Oz. Aerosol

LABELS AND DECALS

Key	Part Number	U/M	Description
	006023-01-000	EA	Label - Water Only
	006025-01-000	EA	Label - Gas
	006028-01-000	EA	Label - Drain Cap - 2" x 3"
	006031-01-000	EA	Label - Potable Water Only
	006187-01-000	EA	Label - Sewage
	006188-01-000	EA	Label - Waste Water
	006199-01-000	EA	Label - Exit - Escape Window
	031161-01-000	EA	Label - Flying "W"
	038403-01-000	EA	Decal - Logo - Winnebago 2.80"
	039289-01-000	EA	Label - Warning Aux. Loading
	043483-03-000	EA	Decal - Flying W - 13.75" High
	045373-01-000	EA	Stencil - Brave 2.28" High - Right
	045373-02-000	EA	Stencil - Brave 2.28" High - Left
	008092-01-000	EA	Reflector Stick on Rectangular Red
	008093-01-000	EA	Reflector Stick on Rectangular Amber

EXTERIOR BODY GROUP (CONTINUED)

SEALANTS, ADHESIVES AND FASTENERS

Key	Part Number	U/M	Description
	034552-05-000	EA	Sealant - Off White Silicone
	034552-04-000	EA	Sealant - Beige Silicone
	034552-02-000	EA	Sealant - Clear Silicone
	004348-02-000	EA	Sealant - Aluminum Silicone
	004349-01-000	EA	Sealant - Black Silicone
	004342-01-000	EA	Sealant - Weatherban 202 Tube
	004346-02-000	EA	Sealant - White Silicone
	004347-01-000	EA	Sealant - Tuflex
	002316-01-000	FT	Sealer Tape - 3/32" x 1/8"
	024545-01-000	FT	Sealer Tape - 1/8" x 5/8" - Black
	004350-01-000	FT	Sealer Tape - 1/8" x 1" - Formaseal
	004352-01-000	FT	Sealer Tape - 1/8" x 3/4" - Formaseal
	004355-01-000	FT	Sealer Tape - 1/8" x 5/8" - Black
	004357-01-000	FT	Sealer Tape - 1/8" x 5/8" - Adhesive
	002707-02-000	FT	Sealer Tape - 5/16" x 1/2" - Black Foam
	002707-01-000	FT	Sealer Tape - 5/16" x 3/4" - Black Foam
	004363-01-000	FT	Sealer Tape - 3/16" x 1/2" - Foam
	004362-01-000	FT	Sealer Tape - 1/8" x 5/8" - Foam
	009200-01-000	EA	Tape - Furnace - 1 1/2"
	041839-01-000	FT	Tape - Window - Latch - 3/4" - Adhesive
	041839-02-000	FT	Tape - Window - Latch - 1/2" - Adhesive
	004353-01-000	FT	Tape - Gasket - 1/8" x 3/4" - White
	002825-01-000	FT	Weather Stripping - Roof Vent
	002337-01-000	EA	Adhesive - 3M - 1300 Tube
	004005-01-000	GL	Adhesive - Swifts - Green - Glue (Sidewalls)
	004012-01-000	EA	Adhesive - 3M - 4475 Tube
	004020-01-000	QT	Adhesive - ABS Cement (Plastic Fittings)
	042401-02-000	EA	Screw - 8-18 x 3/4" SDPH - Off White
	042403-02-000	EA	Screw - SF/DR - 8-18 x 1" SDPH Off White
	005081-01-000	EA	Screw - Wood - 12-11 x 3" P.O.H. Zinc

MISCELLANEOUS EXTERNALLY MOUNTED PARTS

Key	Part Number	U/M	Description
	016253-05-000	EA	Fuel Fill - Recessed - Single - Off White
	015587-04-000	EA	Fuel - Fill - Recessed - Double - Off White
	011124-01-000	EA	Plumbing Seal - Roof Vent - 1 1/4" White
	011129-01-000	EA	Plumbing Seal - Roof Vent - 1 1/2" White
	010230-02-000	EA	Fill - City Water - Recessed - Off White
	011020-01-000	EA	Fill - Water - Recessed - Off White
	009126-01-000	EA	Handle - Assist - Metal Exterior
	009101-01-000	EA	Holder - Entry Door - Male
	009101-02-000	EA	Holder - Entry Door - Female
	022400-01-000	EA	Mirror Asm. - West Coast w/Brackets - Convex Insert - Stainless Steel
	022299-01-000	EA	Mirror Asm. - West Coast w/Brackets - 5 1/2" x 15 1/2" - White
	031324-02-000	EA	Mirror Asm. - West Coast w/Brackets - Convex Insert - Off White

**1976 WINNEBAGO
TABLE OF CONTENTS**

Introduction	A-1
Abbreviations	A-1
Alphabetical Index	A-2 - A-4
D19	A-5 - B-16
D21	B-17 - D-4
D26RT	D-5 - E-18
D26CU	E-19 - G-4
D26CUL	G-5 - H-16
D27CU	H-17 - J-4
D27CUL	J-5 - K-12
D29CU	K-13 - L-22

1976 D19 INDEX

Floor Plan	A-5 - A-6
Accessories Group	A-7 - A-8
Bath Group	A-9
Chassis Group	A-9 - A-10
Curtain, Cushion & Pad Group	A-11 - A-13
Dinette Group	A-14
Driver's Compartment Group	A-15 - A-16
Electrical Group	A-17 - A-18
Exterior Body Group	A-19 - A-22
Galley Group	A-23
Heating & Air Conditioning Group	A-24
Interior Finish Group	B-1 - B-2
LP Group	B-3
Lounge Group	B-3
Water & Sewage Group	B-4
Window, Vent & Exterior Door Group	B-5 - B-16

GALLEY GROUP

Key	Part Number	U/M	Description
	045179-01-701	EA	Cabinet Asm. - Galley - 7' Countertop, Doors, Drawers or Hardware
	045179-01-700	EA	Countertop Asm. - Galley Cabinet - Green
	045179-02-703	EA	Countertop Asm. - Galley Cabinet - Gold
	045179-03-700	EA	Countertop Asm. - Galley Cabinet - Orange
	042554-75-700	EA	Door Asm. - Galley Cabinet - 20 1/4" x 11 1/2" - w/o Hardware
	042690-10-700	EA	Drawer Asm. - Galley Cabinet - 14 1/8" x 5 1/4" x 20" Deep - w/o Hardware
	042690-17-700	EA	Drawer Asm. - Galley Cabinet - 14 1/8" x 5 1/4" x 10" Deep - w/o Hardware
	045183-01-000	EA	Cabinet Asm. - Galley/Lounge Overhead - w/o Doors or Hardware
	042729-01-000	EA	End Cap - Galley Overhead Cabinet
	042554-10-700	EA	Door Asm. - Galley Overhead Cabinet - 11 13/16" x 26" - w/o Hardware
	042554-47-700	EA	Door Asm. - Refrigerator Cabinet - 22 1/4" x 16 3/4" - w/o Hardware
	044829-01-000	EA	Sink Cover - Small - Green
	044829-02-000	EA	Sink Cover - Small - Gold
	044829-03-000	EA	Sink Cover - Small - Orange
	011029-01-000	EA	Sink Asm. - Stainless Steel - Single w/Bolts
	011056-01-000	EA	Faucet - Sink
	011083-01-000	EA	Strainer - Sink
	003212-01-000	EA	Hood - Range - Non Powered - Chrome
	024670-01-000	EA	Hood - Range - Powered - Strawsine
**	034545-01-000	EA	Refrigerator - Winnebago - W6EG
**	003336-01-000	EA	Refrigerator - Dometic - RM66
**	044195-01-000	EA	Range - Coleman - 4 Burner - Small Oven - Chrome

**The illustrated parts breakdown for this item is provided on the Common Items Fiche.

HEATING AND AIR CONDITIONING GROUP

WINNEBAGO AUTOMOTIVE HEATING AND AIR CONDITIONING

Key	Part Number	U/M	Description
	039044-01-000	EA	Louver Asm. - A/C Adjustable
	047046-01-000	EA	Motor - 12 Volt - 3 Speed - Heater - Air Conditioner
	031043-01-000	EA	Valve - Heater - Water Flow Control
	031169-01-000	EA	Cable - Control - Flexible - 53"
	031169-02-000	EA	Cable - Control - Flexible - 48"
	031170-01-000	EA	Clamp - Cable 3/16" Dia.
	024998-01-000	EA	Clutch - Magnetic - Compressor
	024999-01-000	EA	Compressor - Auto Air - 10.3 Cubic Inch
	048721-01-000	EA	Package - Air Conditioner - Compressor Mount 360 C.I.D.
	033295-01-000	EA	Package - Air Conditioner - Compressor Mount - 440 C.I.D.
	031394-01-000	EA	Condenser - Radiator Mount
	008267-01-000	EA	Switch - Air Conditioner
	024867-01-000	EA	Valve - Thermostatic Expansion
	024937-01-000	EA	Core - Heater
	024998-01-000	EA	Wheel - Blower - 4.72" O.D.
	031393-01-000	EA	Coil - Evaporator
	033258-01-000	EA	Hose - Refrigerant - .50" I.D. x 34.50"
	034222-01-000	EA	Hose - Refrigerant - .31" I.D. x 26"
	031960-01-000	EA	Hose - Refrigerant - .34" I.D. x 30"
	031961-01-000	EA	Hose - Refrigerant - .31" I.D. x 14.75"
	024868-01-000	EA	Receiver - Dehydrator
	031044-01-000	EA	Clamp - Receiver Dehydrator
	031962-01-000	EA	Bracket - Receiver Dehydrator
	031976-01-000	EA	Belt - Drive - .50" I.D. x 54" - 360 C.I.D. or 440 C.I.D.
	048229-02-000	EA	Kit - Auto Air - 440 C.I.D. - Winnebago
	048228-02-000	EA	Kit - Auto Air - 360 C.I.D. - A-Body Winnebago

EVANS AUTOMOTIVE HEATING AND AIR CONDITIONING

Key	Part Number	U/M	Description
	033922-01-000	EA	Evaporator - Air Conditioner
	033932-01-000	EA	Valve - Expansion
	033938-01-000	EA	Core - Heater
	035459-01-701	EA	Blower Asm. - 3 Speed w/Motor
	033926-01-000	EA	Cold Control
	035459-01-704	EA	Resistor - Evans Heater
	048217-01-000	EA	Switch - Fan - 3 Speed Evans
	033933-01-000	EA	Compressor - Auto Air - Evans
	033855-01-000	EA	Condenser - Radiator Mount - Evans
	033854-01-000	EA	Receiver Drier
	033934-01-000	EA	Clutch - Compressor - Evans
	048229-01-000	EA	Kit - Auto Air - 440 - Evans

FURNACE AND ROOF AIR CONDITIONER

Key	Part Number	U/M	Description
**	041603-01-000	EA	Furnace - 23,000 BTU - Under Counter Mount - 4200 Series - Coleman
**	041604-01-000	EA	Furnace - 28,000 BTU - Under Counter Mount - 4200 Series - Coleman
**	019777-01-000	EA	Air Conditioner - 110 Volt - Roof Mount - 11,000 BTU - Ivory - Coleman (w/o Inside Shroud)
**	049778-01-000	EA	Shroud Asm. - Ceiling - Inside - Roof Air - Cool Only - 11,000 BTU - Coleman
**	049774-01-000	EA	Air Conditioner - 110 Volt - Roof Mount - 13,500 BTU - Ivory - Coleman (w/o Inside Shroud)
**	049775-01-000	EA	Shroud Asm. - Ceiling - Inside - Roof Air - Cool Only - 13,500 BTU - Coleman
**	049776-01-000	EA	Shroud Asm. - Ceiling - Inside - Roof Air - Heat and Cool - 13,500 BTU - Coleman

**The illustrated parts breakdown for this item is provided on the Common Items Fiche.

1976 WINNEBAGO TABLE OF CONTENTS

Introduction	A-1
Abbreviations	A-1
Alphabetical Index	A-2 - A-4
D19	A-5 - B-16
D21	B-17 - D-4
D26RT	D-5 - E-18
D26CU	E-19 - G-4
D26CUL	G-5 - H-16
D27CU	H-17 - J-4
D27CUL	J-5 - K-12
D29CU	K-13 - L-22

1976 D19 INDEX

Floor Plan	A-5 - A-6
Accessories Group	A-7 - A-8
Bath Group	A-9
Chassis Group	A-9 - A-10
Curtain, Cushion & Pad Group	A-11 - A-13
Dinette Group	A-14
Driver's Compartment Group	A-15 - A-16
Electrical Group	A-17 - A-18
Exterior Body Group	A-19 - A-22
Galley Group	A-23
Heating & Air Conditioning Group	A-24
Interior Finish Group	B-1 - B-2
LP Group	B-3
Lounge Group	B-3
Water & Sewage Group	B-4
Window, Vent & Exterior Door Group	B-5 - B-16

INTERIOR FINISH GROUP

PANELING AND BATT STRIPS

Key	Part Number	U/M	Description
	039188-02-000	SF	Paneling - 709 Hickory - 48" x 96" (32SF)
	039188-04-000	SF	Paneling - 705 Hickory - 48" x 96" (32SF)
	000720-02-000	SF	Veneer - White Stucco - 48" x 96" (32SF)
	000724-01-000	EA	Batt Strip - White Stucco - 8'
	000726-07-000	EA	Batt Strip - 709 Hickory - 8'
	041206-01-000	SF	Tileboard - Agate Beige - 60" x 84" (35SF)

COUNTERTOP MATERIALS

Key	Part Number	U/M	Description
	041205-01-000	SF	Plastic Laminate - 48" x 96" - Green (Sauterne)
	041205-01-001	EA	Plastic Laminate - 48" x 48" - Green (Sauterne)
	041205-01-002	EA	Plastic Laminate - 1.19" x 96" - Green (Sauterne)
	041205-02-000	SF	Plastic Laminate - 48" x 96" - Gold (Mustard)
	041205-02-001	EA	Plastic Laminate - 48" x 48" - Gold (Mustard)
	041205-02-002	EA	Plastic Laminate - 1.19" x 96" - Gold (Mustard)
	041205-03-000	SF	Plastic Laminate - 48" x 96" - Orange (Comquat)
	041205-03-001	EA	Plastic Laminate - 48" x 48" - Orange (Comquat)
	041205-03-002	EA	Plastic Laminate - 1.19" x 96" - Orange (Comquat)

FABRICS AND CARPET

Key	Part Number	U/M	Description
	041199-01-000	SY	Carpet - Green (Sauterne)
	041199-02-000	SY	Carpet - Gold (Mustard)
	041199-03-000	SY	Carpet - Orange (Comquat)
	041198-01-000	YD	Fabric - Drapery - Green (Sauterne)
	041198-02-000	YD	Fabric - Drapery - Gold (Mustard)
	041198-03-000	YD	Fabric - Drapery - Orange (Comquat)
	041197-01-000	YD	Fabric - Upholstery - Green (Sauterne)
	041197-02-000	YD	Fabric - Upholstery - Gold (Mustard)
	041197-03-000	YD	Fabric - Upholstery - Orange (Comquat)
	042411-03-000	YD	Vinyl - Nonsupport - 16 Gauge - Brown
	042411-01-000	YD	Vinyl - Nonexpanded - 27 Ounce - Brown

CURTAIN HARDWARE

Key	Part Number	U/M	Description
	052327-04-236	EA	Curtain Track - Alum. - Brown - 89" w/Holes
	009107-01-000	EA	Gulde - Curtain - Nylon Snap
	009223-01-000	EA	Rod - Curtain - Flat - Extends - 32" - 51"
	009223-02-000	EA	Rod - Curtain - Flat - Extends - 48" - 84"
	042439-01-000	EA	Bracket - Flat Curtain Rod - Left or Right
	043087-01-000	EA	Track - Shower Curtain - Alum. - "L" Rod
	009701-01-000	EA	Carrier w/Rollers - Curtain - "L" Rod
	009702-01-000	EA	End Stop - Curtain Track - "L" Rod
	009136-01-000	EA	Pin - Shower Curtain
	018031-42-000	EA	Track - Curtain - "L" Rod - Alum. - 90"
	042536-01-000	EA	Track - Front Wraparound Curtain - Left - Alum.
	042536-03-000	EA	Track - Front Wraparound - Curtain - Right - Alum.

INTERIOR FINISH GROUP (CONTINUED)

INTERIOR MOLDINGS AND TRIM

Key	Part Number	U/M	Description
	022756-01-000	EA	Cover - Air Conditioner Wire - Plastic
	024700-03-000	EA	Cover - Sidewall Roll Bar - White
	024700-05-000	EA	Cover - Sidewall Roll Bar - 709 Hickory
	034113-01-000	EA	Cover - Corner Support Bar - Brown
	039512-01-000	EA	Cover - Hat Section - White
	039512-03-000	EA	Cover - Hat Section - 709 Hickory
	040025-01-000	EA	Cover - Corner Hat/Hat
	042886-01-000	EA	Cover - Corner Tube/Tube
	009778-01-000	FT	U-Channel - 1" Dark Brown Plastic
	009777-01-000	FT	U-Channel - 3/4" Dark Brown Plastic
	009815-02-000	FT	T Molding - 3/4" Brown
	009812-06-000	FT	Mc'dling - Plastic - Outside Corner - 1/2"
	009767-01-000	FT	Welting - Brown
	009779-01-000	FT	U-Channel - 1 1/8" Dark Brown
	009809-03-000	FT	Molding - Plastic - Outside Corner - 1"
	009810-01-000	FT	Corner - Outside - 1" - Dark Pecan
	034394-02-000	FT	Insert - Extruded Vinyl - Beige
	034689-03-000	EA	Cover - Screw PPH 10 - Ivory - Bathroom
	042356-01-000	EA	Plug Button - Mahogany - 3/8" Dia.
	009781-01-000	FT	Corner - Outside - .62" x .62" - Dark Brown Plastic

CABINETS AND TABLE HARDWARE

Key	Part Number	U/M	Description
	009065-01-000	EA	Hinge - Continuous Aluminum - 1 1/2" x 96" Plain
	009068-01-000	EA	Hinge - Continuous Steel - 1 1/2" x 72"
	009150-01-000	EA	Warp Guard - 64"
	009124-01-000	EA	Lock - Door - Push Button Brass (Bath Door)
	009112-01-000	EA	Flange - 1" - Rod - Chrome
	047744-01-000	EA	Kit - Drawer Glide
	037688-01-000	FT	Rail - Drawer Glide
	048148-01-000	EA	Drawer Pull - 5 3/8" Early American - Black
	049332-01-000	EA	Kit - Hinge Cabinet Door - Black
	049333-01-000	EA	Kit - Latch - Cabinet Door - Black
	009047-01-000	EA	Support - Door - Overhead
	005001-02-000	EA	Screw - 5 - 18 x 5/8" Phil PYR Black
	007021-01-000	EA	Belt Asm. - Seat - 2" x 90" Black
	041322-01-000	EA	Washer - Flat - 15/32" I.D. x 2 3/8" O.D. (Seat Belt)

MISCELLANEOUS PARTS

Key	Part Number	U/M	Description
	042950-01-000	EA	Handle - Interior Assist
	041944-01-700	EA	Extinguisher - Fire - Dry Chemical w/Bracket
	007038-01-000	EA	Mat - Door - Black Rubber - 10 1/2" x 26"

1976 WINNEBAGO TABLE OF CONTENTS

Introduction	A-1
Abbreviations	A-1
Alphabetical Index	A-2 - A-4
D19	A-5 - B-16
D21	B-17 - D-4
D26RT	D-5 - E-18
D26CU	E-19 - G-4
D26CUL	G-5 - H-16
D27CU	H-17 - J-4
D27CUL	J-5 - K-12
D29CU	K-13 - L-22

1976 D19 INDEX

Floor Plan	A-5 - A-6
Accessories Group	A-7 - A-8
Bath Group	A-9
Chassis Group	A-9 - A-10
Curtain, Cushion & Pad Group	A-11 - A-13
Dinette Group	A-14
Driver's Compartment Group	A-15 - A-16
Electrical Group	A-17 - A-18
Exterior Body Group	A-19 - A-22
Galley Group	A-23
Heating & Air Conditioning Group	A-24
Interior Finish Group	B-1 - B-2
LP Group	B-3
Lounge Group	B-3
Water & Sewage Group	B-4
Window, Vent & Exterior Door Group	B-5 - B-16

LP GROUP

Key	Part Number	U/M	Description
	008815-01-000	EA	Regulator - Automatic - LP Gas - Double Tank
	008814-01-000	EA	Hose - Asm. - LP 3/8" I.D. x 24"
	008820-01-000	EA	Hose - Asm. LP 1/4" I.D. x 16"
	045703-01-000	EA	Hose - Asm. LP 3/8" I.D. x 24"
	045703-03-000	EA	Hose - Asm. LP 3/8" I.D. x 14"
	008814-01-000	EA	Regulator - Manual LP Gas - Double Tank
	008818-01-000	EA	Tank Asm. LP 20 LB. Horizontal w/Hardware
	040046-01-000	EA	Compartment LP Horizontal Plastic
	040047-01-000	EA	Bracket - LP Bottle Hold Down
	047221-01-000	EA	Detector - LP Gas Leak
	047356-01-000	EA	Bracket - LP Leak Detector
	023263-01-000	EA	Tank Asm. - LP - 30 LB. Horizontal w/Hardware

LOUNGE GROUP

Key	Part Number	U/M	Description
	045163-01-000	EA	Cabinet Asm. - Gaucho - w/o Slide
	042091-04-000	EA	Leg Asm. - Gaucho
	045183-01-000	EA	Cabinet Asm. - Galley/Lounge Overhead - w/o Doors or Hardware
	042554-10-700	EA	Door Asm. - Galley/Lounge Overhead Cabinet - 11 13/16" x 26" - w/o Hardware

WATER AND SEWAGE GROUP

Key	Part Number	U/M	Description
	040539-01-000	EA	Kit - Repair 3/8" O.D. Plastic Tube
	040540-01-000	EA	Kit - Repair 1/2" O.D. Plastic Tube
	040541-01-000	EA	Kit - Repair 5/8" O.D. Plastic Tube
	039818-03-000	EA	Riser Asm. 3/8" O.D. x 18" Tube
	039818-05-000	EA	Riser Asm. 3/8" O.D. x 48" Tube
	041275-02-000	EA	Pump - Water Flow 2.8 G.P.M. - PAR
	039647-02-000	EA	Filter Water Pump - 1/2" MPT
	041819-01-000	EA	Nut and Cone Plastic 1/2" O.D. Tube
	043181-02-000	EA	Tank Asm. with Fittings Plastic Water 60 Gallon
	039641-01-000	EA	Tank Water w/o Fittings Plastic 60 Gallon
	010166-01-000	EA	Plug - Plastic 1 1/4"
	046524-02-000	EA	Kit Fittings Plastic Water Tank
	010205-01-000	EA	Valve - Sanitary - Thetford 3XB
	004020-01-000	QT	Adhesive ABS Cement
	010133-01-000	EA	Adaptor Trap - Plastic 1 1/2" H x MPT
	010147-01-000	EA	Ring Closet Plastic 4" F x 3" FPT
	010201-01-000	EA	Hose Sewer 3" x 10' w/Clamp
	010209-06-000	EA	Handle Ext. Sewer Valve 11.25"
	010235-01-000	EA	Cap - Sewage 3"
	010236-01-000	EA	Adaptor Hose 3"
	011091-01-000	EA	Waste - Cont. Dbl. Slnk 11 7/8"
	010210-01-000	EA	Valve Sanitary - Thetford 3HB
	010234-01-000	EA	Adaptor Bayonet
	011066-01-000	EA	P-Trap - Plastic 1 1/4"
	021489-02-000	EA	Tank Asm. - Holding w/Fittings - 21 Gallon - Plastic
	021409-01-000	EA	Tank - Holding w/o Fittings - 21 Gallon - Plastic
	038402-000	EA	Tank Asm. - Holding w/Fittings - 13 Gallon - Plastic
	038401-01-000	EA	Tank - Holding w/o Fittings - 13 Gallon - Plastic
	046524-01-000	EA	Kit - Fittings - Plastic Holding Tank
	016727-01-000	EA	Tank - Water - 27 Gallon - Galvanized
	031952-01-000	EA	Heater - Water - Atwood - 6 Gallon

** The illustrated parts breakdown for this item is provided on the Common Items Fiche.

1976 WINNEBAGO TABLE OF CONTENTS

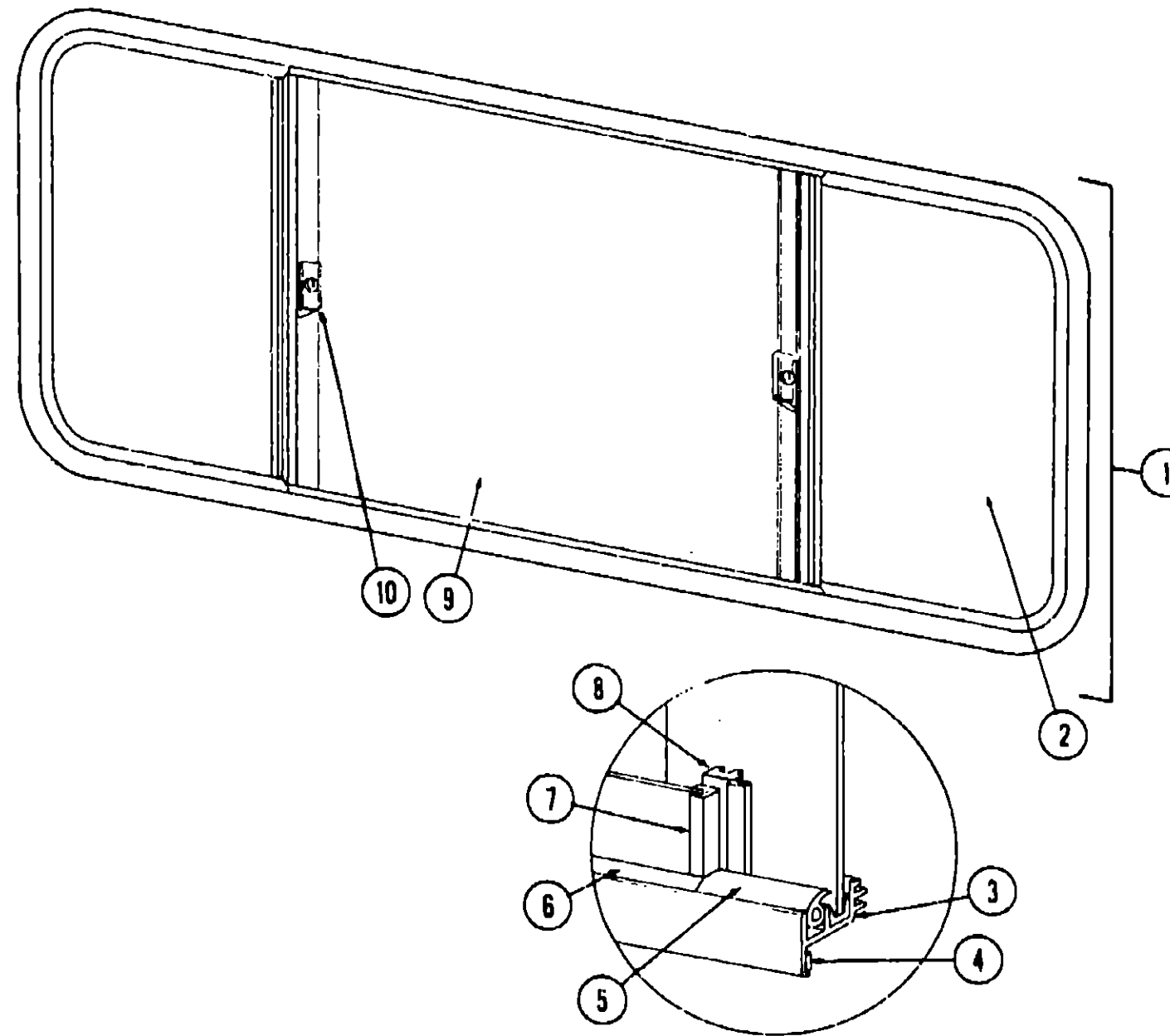
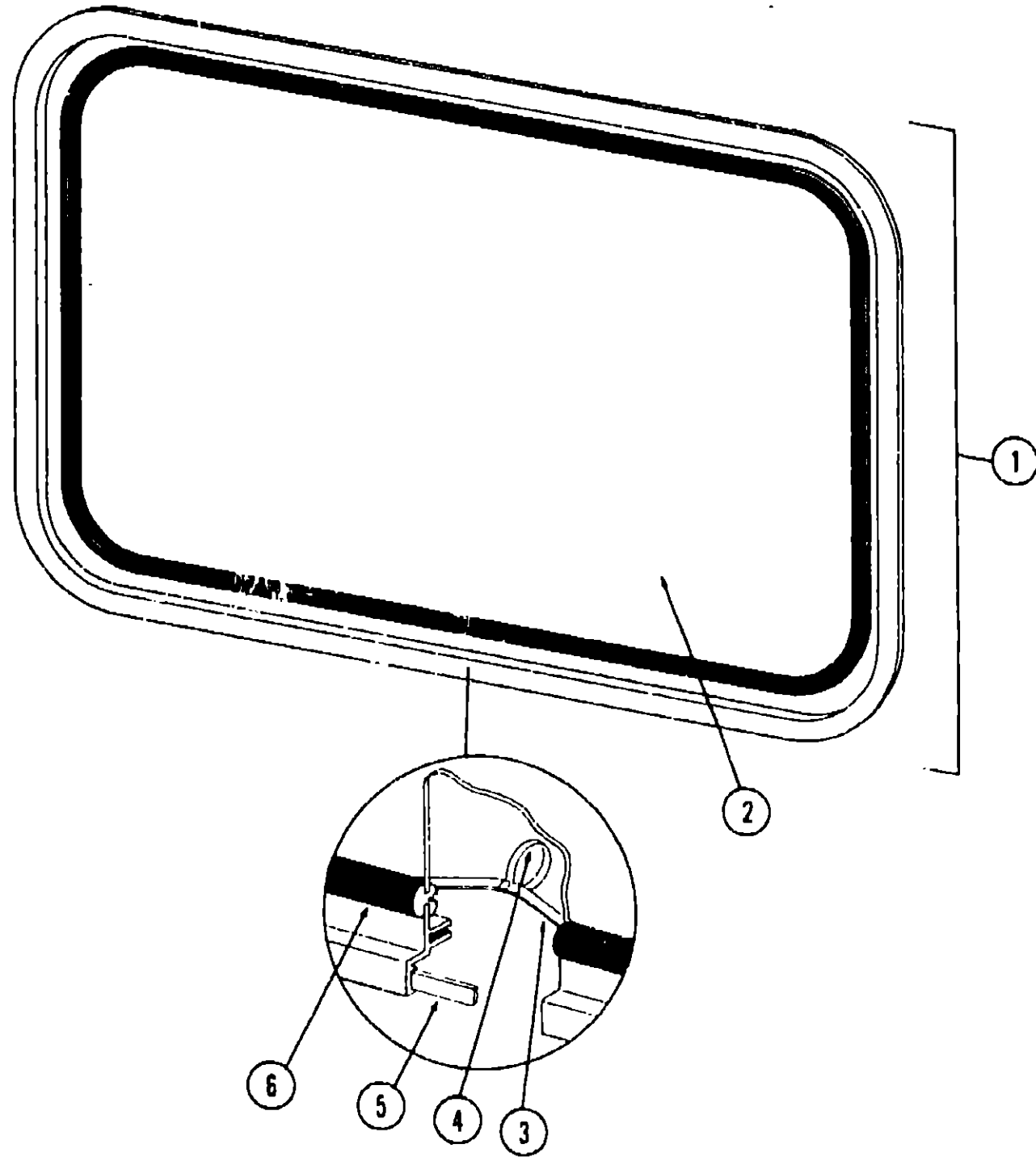
Introduction	A-1
Abbreviations	A-1
Alphabetical Index	A-2 - A-4
D19	A-5 - B-16
D21	B-17 - D-4
D26RT	D-5 - E-18
D26CU	E-19 - G-4
D26CUL	G-5 - H-16
D27CU	H-17 - J-4
D27CUL	J-5 - K-12
D29CU	K-13 - L-22

1976 D19 INDEX

Floor Plan	A-5 - A-6
Accessories Group	A-7 - A-8
Bath Group	A-9
Chassis Group	A-9 - A-10
Curtain, Cushion & Pad Group	A-11 - A-13
Dinette Group	A-14
Driver's Compartment Group	A-15 - A-16
Electrical Group	A-17 - A-18
Exterior Body Group	A-19 - A-22
Galley Group	A-23
Heating & Air Conditioning Group	A-24
Interior Finish Group	B-1 - B-2
LP Group	B-3
Lounge Group	B-3
Water & Sewage Group	B-4
Window, Vent & Exterior Door Group	B-5 - B-16

WINDOW, VENT AND EXTERIOR DOOR GROUP

WINDOW, VENT AND EXTERIOR DOOR GROUP (CONTINUED)



Key	Part Number	U/M	Description
1	020751-01-000	EA	Window Asm. - Rear Escape - 23" x 29" - Clear Anod. w/o Inside Frame
2	002174-01-000	EA	Glass - Window - 1/8" x 19.6" x 25.9"
3	002285-01-000	FT	Filler - Weatherstrip - Black
4	020395-01-000	EA	Slip Ring - Escape Window
5	004363-01-000	FT	Tape Foam - 3/16" x 1/2" - Gray
6	002282-01-000	FT	Weatherstrip - .125" - Black
	020749-03-000	EA	Frame - Escape Window - Inside - 23" x 29" (Not Included in window assembly)
	020785-01-000	EA	Tab - Pull
	006199-01-000	EA	Label - Eit - Escape Window
			Not Illustrated

Key	Part Number	U/M	Description
1	048630-03-000	EA	Window Asm. - Double - Slider - 23" x 65" - Clear Anod. w/Plastic Latch (w/o Inside Frame)
2	047823-01-000	EA	Glass - 1/8" x 22" x 21.03" - Sliding (used w/Plastic Latch)
	002187-01-000	EA	Glass - 1/8" x 22" x 21.03" - Sliding (used w/Alum. Latch)
3	002324-01-000	FT	Channel - Weatherstrip - Glass Run - 1/8" Glass
4	004363-01-000	FT	Tape - Foam - 3/16" x 1/2" - Gray
5	002309-01-000	FT	Spline - Glass - 1/8" - Gray
6	024096-01-000	FT	Seal - Window Channel - Gray
7	018025-01-000	EA	Holder - Glass Seal - Clear Anod.
8	041894-03-000	EA	Mullion - Slider Window - 23" - Clear Anod.
9	002188-01-000	EA	Glass - 1/8" x 22" x 21.03" - Stationary
10	047369-01-700	EA	Latch - Window - Plastic w/Fastener
	023275-04-000	EA	Latch - Window - Alum.
	042133-02-000	EA	Frame - Inside - Double Slider Window - 23" x 65" (Not Included in assembly)
	002298-01-000	FT	Spline - Gray - .130" Dia. - (Screen)
	002293-01-000	SF	Screen - Window - 26" - Gray
	023713-01-000	EA	Cover - Weephole - Plastic - White
			Not Illustrated

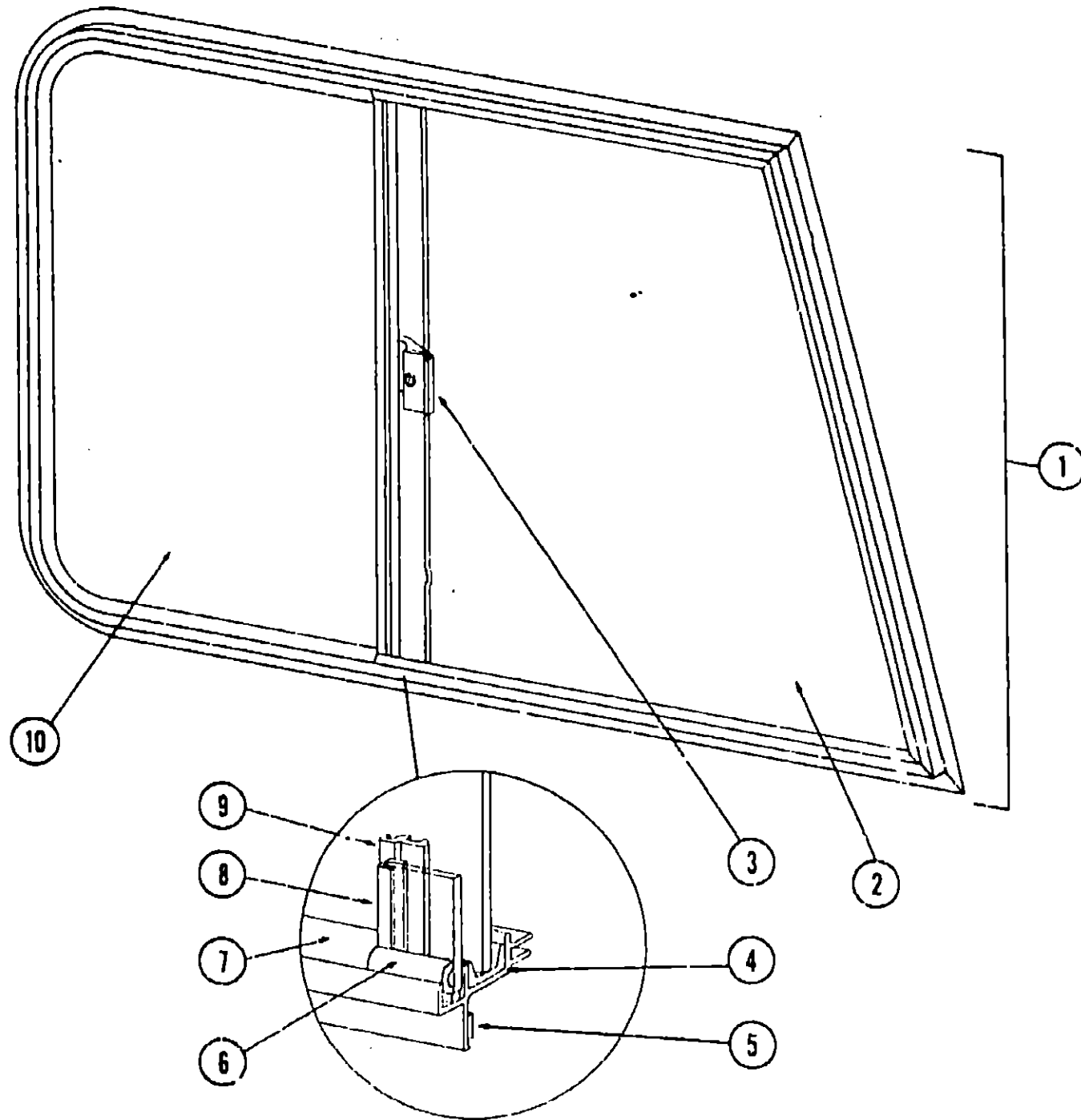
**1976 WINNEBAGO
TABLE OF CONTENTS**

Introduction	A-1
Abbreviations	A-1
Alphabetical Index	A-2 - A-4
D19	A-5 - B-16
D21	B-17 - D-4
D26RT	D-5 - E-18
D26CU	E-19 - G-4
D26CUL	G-5 - H-16
D27CU	H-17 - J-4
D27CUL	J-5 - K-12
D29CU	K-13 - L-22

1976 D19 INDEX

Floor Plan	A-5 - A-8
Accessories Group	A-7 - A-8
Bath Group	A-9
Chassis Group	A-9 - A-10
Curtain, Cushion & Pad Group	A-11 - A-13
Dinette Group	A-14
Driver's Compartment Group	A-15 - A-16
Electrical Group	A-17 - A-18
Exterior Body Group	A-19 - A-22
Galley Group	A-23
Heating & Air Conditioning Group	A-24
Interior Finish Group	B-1 - B-2
LP Group	B-3
Lounge Group	B-3
Water & Sewage Group	B-4
Window, Vent & Exterior Door Group	B-5 - B-16

Key	Part Number	U/M	Description
1	048628-01-000	EA	Window Asm. - Right Front Slant Slider - 23" x 29" - Clear Anod. w/Plastic Latch (w/o Inside Frame)
	048628-02-000	EA	Window Asm. - Left Front Slant Slider - 23" x 29" - Clear Anod. w/Plastic Latch (w/o Inside Frame)
2	041897-01-000	EA	Glass - 1/8" x 22.06" x 18.91" x 21.22" - Stationary
3	047369-01-700	EA	Latch - Window - Plastic w/Fastener
	023275-04-000	EA	Latch - Window - Alum.
4	002324-01-000	FT	Channel - Weatherstrip - Glass Run - 1/8" Glass
5	004363-01-000	FT	Tape - Foam - 3/16" x 1/2" - Gray
6	002309-01-000	FT	Spline - Glass - 1/8" - Gray
7	024096-01-000	FT	Seal - Window Channel - Gray
8	018025-01-000	EA	Holder - Glass Seal - Clear Anod.
9	041894-03-000	EA	Mullion - Slider Window - 23" - Clear Anod.
10	047824-01-000	EA	Glass - 1/8" x 22.06" x 19.06" - Sliding (used w/Plastic Latch)
	041898-01-000	EA	Glass - 1/8" x 22.06" x 19.06" - Sliding (used w/Alum. Latch)
	049162-02-000	EA	Frame - Inside - Right Front Slant Slider Window - 23" x 29" (Not included in assembly)
	049162-01-000	EA	Frame - Inside - Left Front Slant Slider Window - 23" x 29" (Not included in assembly)
	023713-01-000	EA	Cover - Plastic Weephole - White
	041926-03-000	EA	Screen Asm. - Sliding - Left (used with Alum. Latch Window Only)
	041926-01-000	EA	Screen Asm. - Sliding - Right (used with Alum. Latch Window Only)
			Not Illustrated

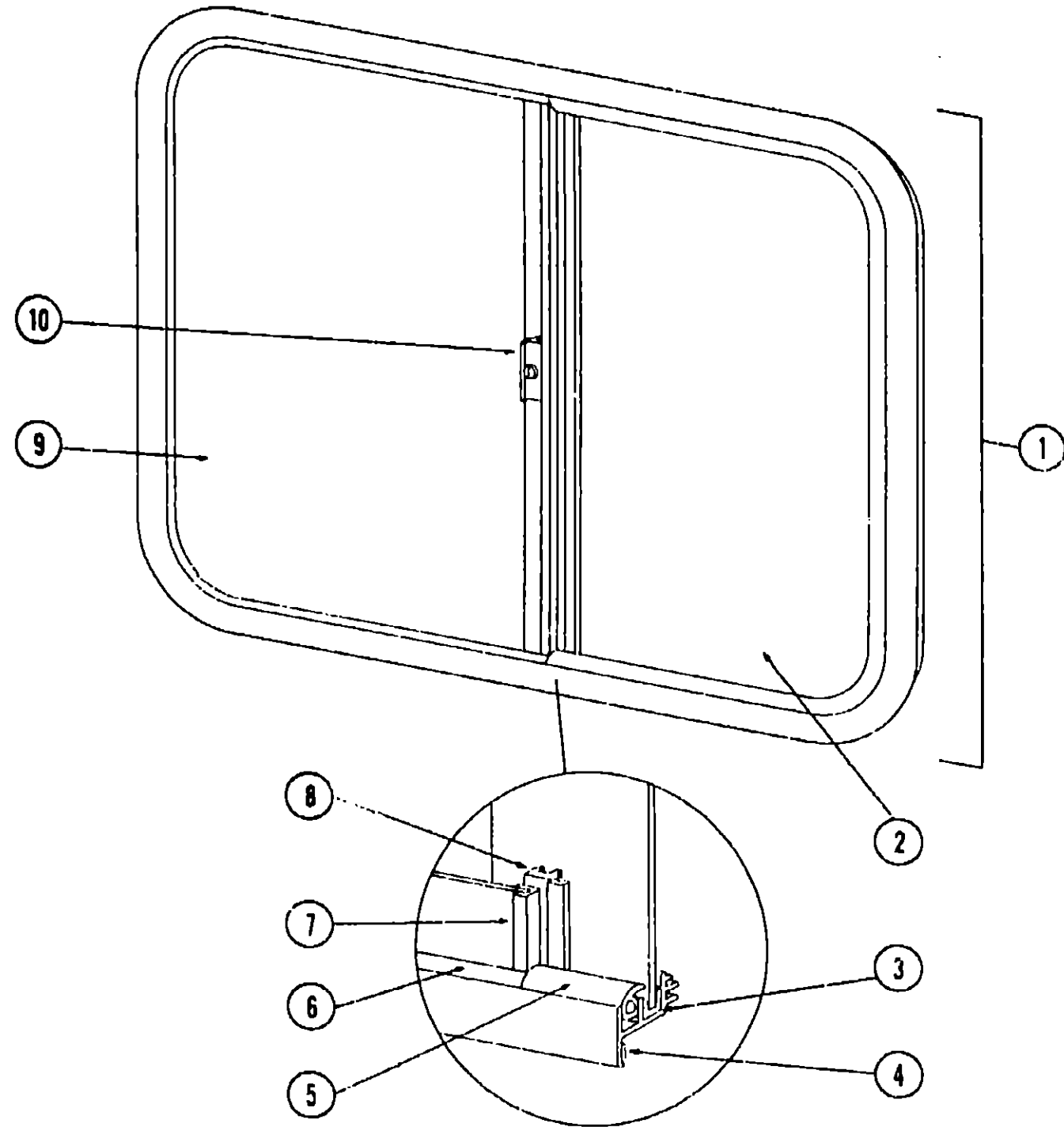


1976 WINNEBAGO
TABLE OF CONTENTS

Introduction	A-1
Abbreviations	A-1
Alphabetical Index	A-2 - A-4
D19	A-5 - B-16
D21	B-17 - D-4
D26RT	D-5 - E-18
D26CU	E-19 - G-4
D26CUL	G-5 - H-16
D27CU	H-17 - J-4
D27CUL	J-5 - K-12
D29CU	K-13 - L-22

1976 D19 INDEX

Finor Plan	A-5 - A-8
Accessories Group	A-7 - A-8
Bath Group	A-9
Chassis Group	A-9 - A-10
Curtain, Cushion & Pad Group	A-11 - A-13
Dinette Group	A-14
Driver's Compartment Group	A-15 - A-16
Electrical Group	A-17 - A-18
Exterior Body Group	A-19 - A-22
Galley Group	A-23
Heating & Air Conditioning Group	A-24
Interior Finish Group	B-1 - B-2
LP Group	B-3
Lounge Group	B-3
Water & Sewage Group	B-4
Window, Vent & Exterior Door Group	B-5 - B-16



Key	Part Number	U/M	Description
1	048631-13-000	EA	Window Asm. - Right - Single Slider - 23" x 44" - w/Plastic Latch w/o Inside Frame (Requires Z Style Inside Frame)
2	047823-01-000	EA	Glass - Sliding - 1/8" x 22" x 21.03" - w/Hole (used w/Plastic Latch)
	002187-01-000	EA	Glass - Sliding - 1/8" x 22" x 21.03" - w/o Hole (used w/Alum. Latch)
3	002324-01-000	FT	Channel - Weatherstrip - Glass Run - 1/8" Glass
4	004363-01-000	FT	Tape Foam - 3/16" x 1/2" - Gray
5	024096-01-000	FT	Seal - Window Channel - Gray (used in window w/Plastic Latch)
	002283-01-000	FT	Seal - Window Channel - Gray (used in Window w/Alum. Latch)
6	002309-01-000	FT	Spline - Glass - 1/8" - Gray
7	018025-01-000	EA	Holder - Glass Seal - 23" - Clear Anod.
8	041894-01-000	EA	Mullion - Slider Window - 23" - Clear Anod. (used In Window w/Plastic Latch)
	018014-01-000	EA	Mullion - Slider Window - 23" - Clear Anod. (used In Window w/Alum. Latch)
9	002183-01-000	EA	Glass - 1/8" x 22" x 23.4" - Stationary
10	047369-01-700	EA	Latch - Window - Plastic w/Fastener
	023275-04-000	EA	Latch - Window - Aluminum
	041839-01-000	FT	Tape - Foam - Aluminum Window Latch
	002298-01-000	FT	Spline - Screen - .130" Dia. - Gray
	002293-01-000	SF	Screen - Window - 26" - Gray
	023713-01-000	EA	Cover - Weephole - White Plastic
	042174-02-000	EA	Frame - Window - Inside - 23" x 44" - Brown (Z Style)
	035275-03-000	EA	Frame - Window - Inside - 23" x 44" - Brown (T Style)
			Not Illustrated

1976 WINNEBAGO
TABLE OF CONTENTS

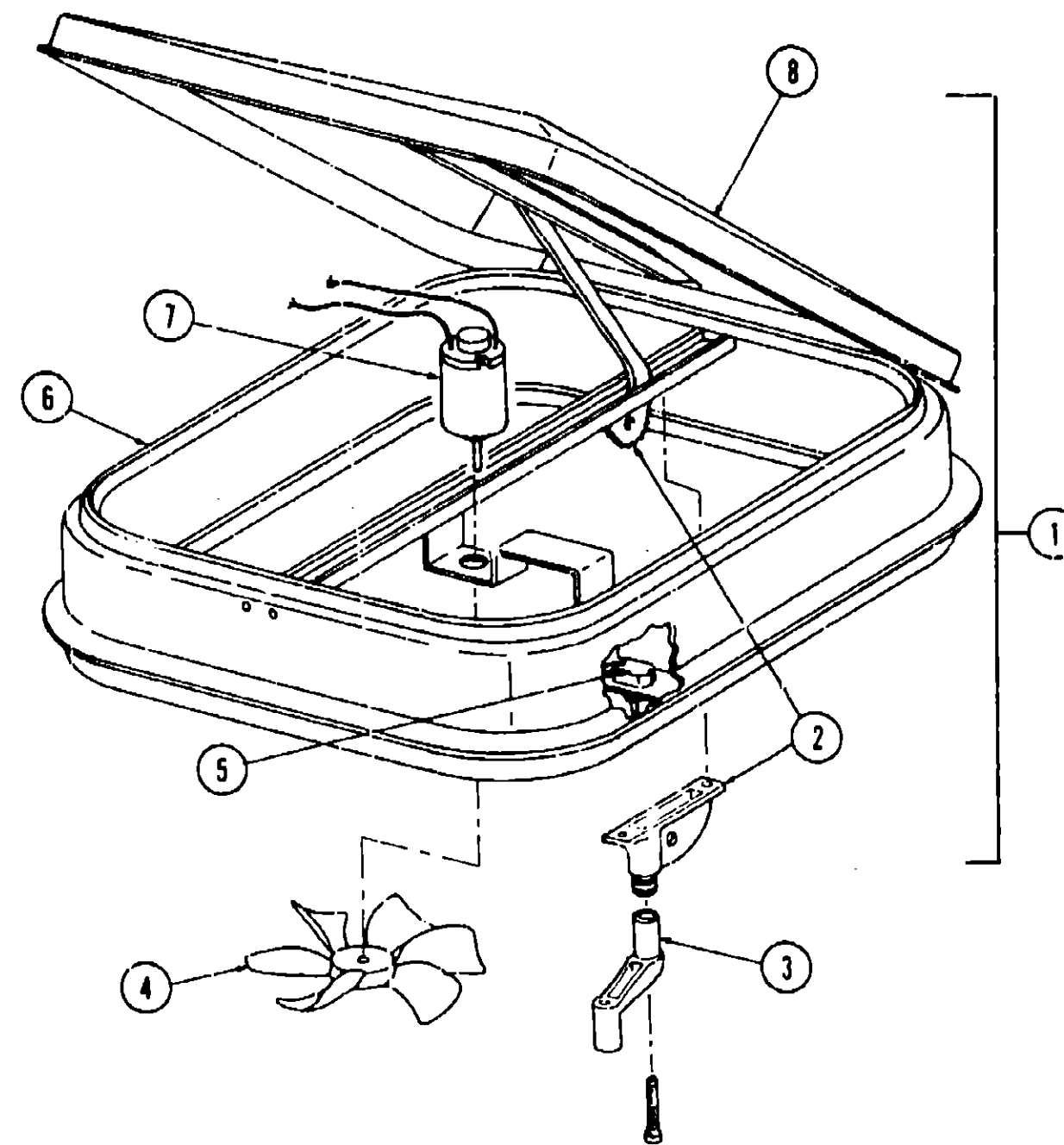
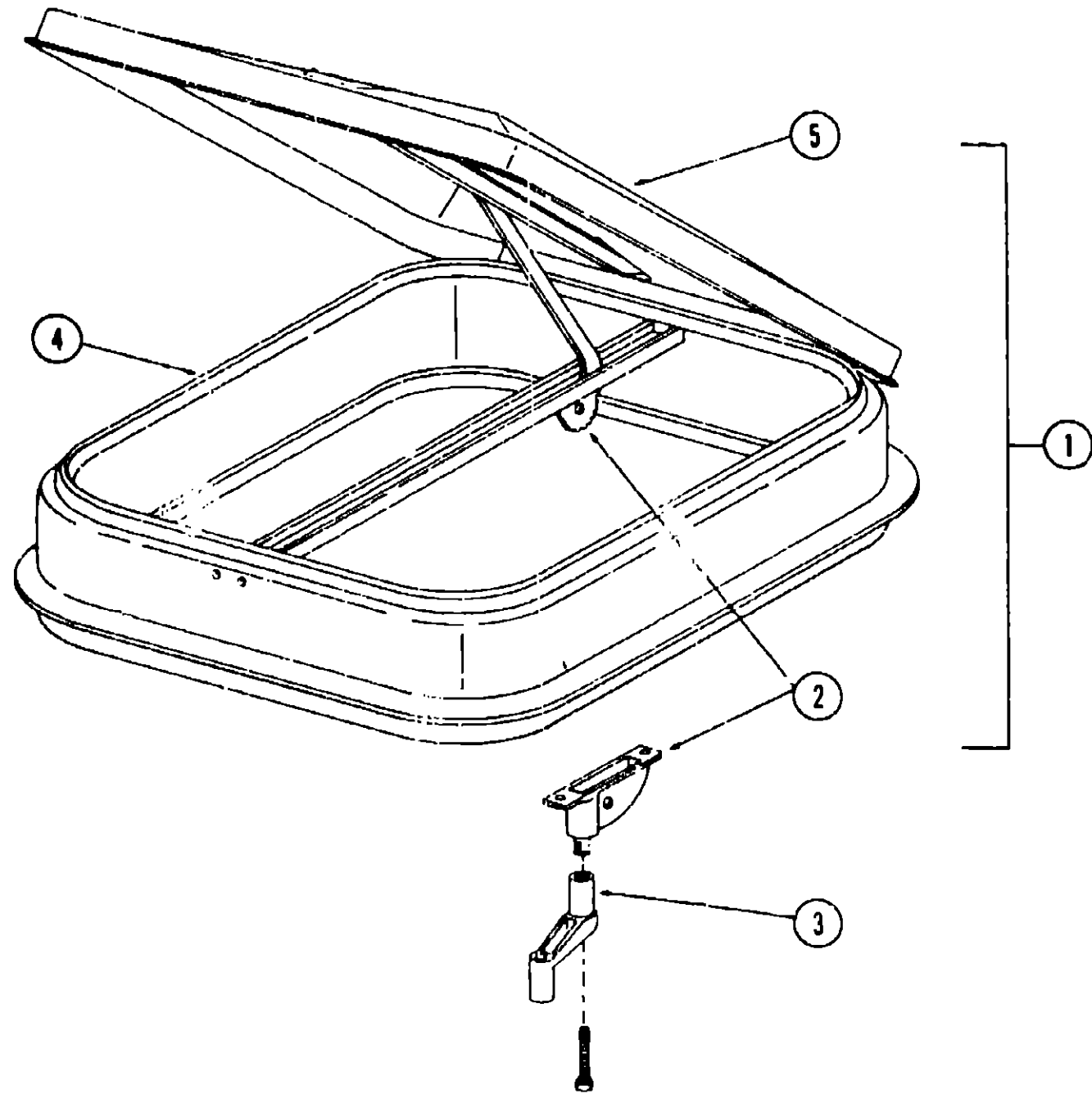
Introduction	A-1
Abbreviations	A-1
Alphabetical Index	A-2 - A-4
D19	A-5 - B-16
D21	B-17 - D-4
D26RT	D-5 - E-18
D26CU	E-19 - G-4
D26CUL	G-5 - H-16
D27CU	H-17 - J-4
D27CUL	J-5 - K-12
D29CU	K-13 - L-22

1976 D19 INDEX

Floor Plan	A-5 - A-8
Accessories Group	A-7 - A-8
Bath Group	A-9
Chassis Group	A-9 - A-10
Curtain, Cushion & Pad Group	A-11 - A-13
Dinette Group	A-14
Driver's Compartment Group	A-15 - A-16
Electrical Group	A-17 - A-18
Exterior Body Group	A-19 - A-22
Galley Group	A-23
Heating & Air Conditioning Group	A-24
Interior Finish Group	B-1 - B-2
LP Group	B-3
Lounge Group	B-3
Water & Sewage Group	B-4
Window, Vent & Exterior Door Group	B-5 - B-16

WINDOW, VENT AND EXTERIOR DOOR GROUP (CONTINUED)

WINDOW, VENT AND EXTERIOR DOOR GROUP (CONTINUED)



Key	Part Number	U/M	Description
1	048835-01-000	EA	Vent Asm. - Roof - Nonpowered - w/o Screen
2	009440-01-000	EA	Gear - Arm - Roof Vent
3	009439-01-000	EA	Crank - Roof Vent
4	002825-01-000	FT	Weatherstrip - Roof Vent
5	046825-01-000	EA	Cover - Plastic - Roof Vent
•	016335-01-000	EA	Screen Asm. - Nonpowered Roof Vent - Clear Anod. (Not included in assembly)
•	016335-03-000	EA	Screen Asm. - Nonpowered Roof Vent - Belgo (Not included in assembly)
•	Not Illustrated		

Key	Part Number	U/M	Description
1	048789-01-000	EA	Vent Asm. - Roof - Powered - w/o Screen
2	009440-01-000	EA	Gear - Arm - Roof Vent
3	009439-01-000	EA	Crank - Roof Vent
4	048649-01-000	EA	Fan - Blade - 8" Plastic
•	009442-01-000	EA	Fan - Blade - Alum.
5	008195-01-000	EA	Switch - Push Button - 12 Volt
6	002825-01-000	FT	Weatherstrip - Roof Vent
7	048648-01-000	EA	Motor - 12 Volt (vent w/Plastic Fan)
•	009441-01-000	EA	Motor - 12 Volt (vent w/Alum. Fan)
8	046825-01-000	EA	Cover - Plastic - Roof Vent (vent w/Plastic Fan)
•	016336-01-000	EA	Cover - Plastic - Roof Vent (vent w/Alum. Fan)
•	048695-01-000	EA	Screen Asm. - Powered Roof Vent - Clear Anod. (vent w/Plastic Fan) (Not included w/assembly)
•	016337-01-000	EA	Screen Asm. - Powered Roof Vent - Clear Anod. Vent w/Alum. Fan (Not included w/assembly)
•	Not Illustrated		

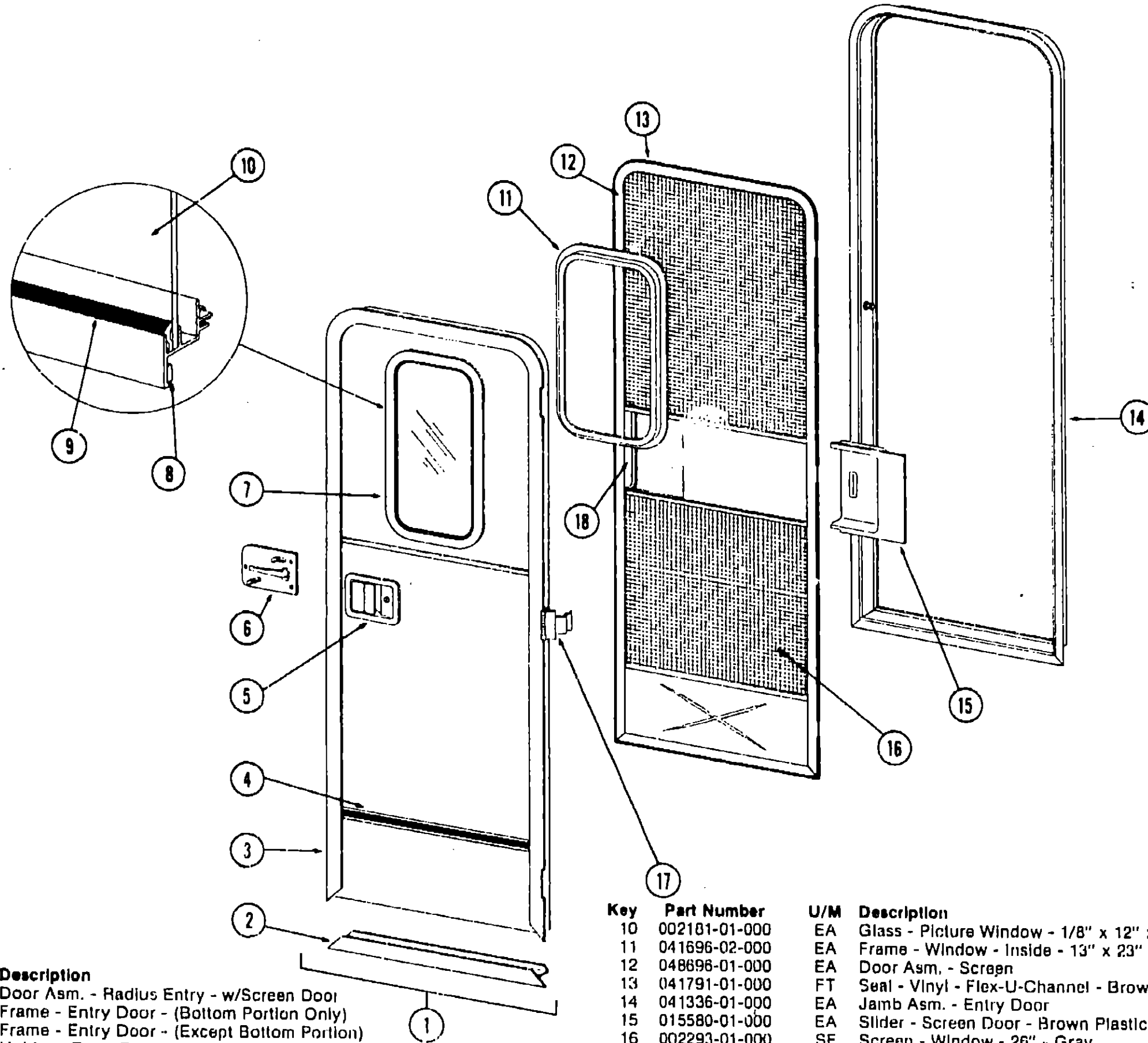
**1976 WINNEBAGO
TABLE OF CONTENTS**

Introduction	A-1
Abbreviations	A-1
Alphabetical Index	A-2 - A-4
D19	A-5 - B-16
D21	B-17 - D-4
D26RT	D-5 - E-18
D26CU	E-19 - G-4
D26CUL	G-5 - H-16
D27CU	H-17 - J-4
D27CUL	J-5 - K-12
D28CU	K-13 - L-22

1976 D19 INDEX

Floor Plan	A-5 - A-6
Accessories Group	A-7 - A-8
Bath Group	A-9
Chassis Group	A-9 - A-10
Curtain, Cushion & Pad Group	A-11 - A-13
Dinette Group	A-14
Driver's Compartment Group	A-15 - A-16
Electrical Group	A-17 - A-18
Exterior Body Group	A-19 - A-22
Galley Group	A-23
Heating & Air Conditioning Group	A-24
Interior Finish Group	B-1 - B-2
LP Group	B-3
Lounge Group	B-3
Water & Sewage Group	B-4
Window, Vent & Exterior Door Group	B-5 - B-16

WINDOW, VENT AND EXTERIOR DOOR GROUP (CONTINUED)



Key	Part Number	U/M	Description
1	039751-04-000	EA	Door Asm. - Radius Entry - w/Screen Door
2	039737-01-000	EA	Frame - Entry Door - (Bottom Portion Only)
3	039736-01-000	EA	Frame - Entry Door - (Except Bottom Portion)
4	009101-02-000	EA	Holder - Entry Door - Female (Mounts on Coach)
5	009102-01-000	EA	Holder - Entry Door - 2 1/2" Male (Mounts on Door)
6	041948-01-000	EA	Kit - Radius Door - Lock - Complete
7	039541-01-000	EA	Lock Cylinder w/Keys
8	039539-01-000	EA	Striker - Entry Door Lock
9	039979-01-000	EA	Plate - Lock - Interior - Including Inside Handle
10	041875-01-000	EA	Window Asm. - Picture - 13" x 23" - Clear Anod. (Inside frame not included in assembly)
11	004363-01-000	FT	Tape - Foam - 3/16" x 1/2" Gray
12	002309-01-000	FT	Spilne - Glass - 1/8" Gray

Key	Part Number	U/M	Description
10	002181-01-000	EA	Glass - Picture Window - 1/8" x 12" x 22" - Gray
11	041696-02-000	EA	Frame - Window - Inside - 13" x 23" - Brown
12	048696-01-000	EA	Door Asm. - Screen
13	041791-01-000	FT	Seal - Vinyl - Flex-U-Channel - Brown
14	041336-01-000	EA	Jamb Asm. - Entry Door
15	015580-01-000	EA	Slider - Screen Door - Brown Plastic
16	002293-01-000	SF	Screen - Window - 26" - Gray
17	039520-01-000	EA	Hinge - Entry Door (3 used per door)
18	015581-01-000	EA	Cap - Screen Door - Brown Plastic
	049176-01-000	EA	Hedlock II - 3/4" Diameter - Screw Mount (Retains Screen Door to Entry Door)
	049797-01-000	EA	Hedlock II - 1" Diameter - Screw Mount (Retains Screen Door to Entry Door)
	018019-01-000	EA	Striker - Screen Door
	039863-01-000	EA	Catch Asm. - Single Roller w/Strike - Screen Door
	039740-01-000	FT	Seal - Jamb - Entry Door
	039800-03-000	FT	Tubing - Polybutyl - 3/8" O.D. - Jamb
			Not Illustrated

B-13

B-14

1976 WINNEBAGO TABLE OF CONTENTS

Introduction	A-1
Abbreviations	A-1
Alphabetical Index	A-2 - A-4
D19	A-5 - B-16
D21	B-17 - D-4
D26RT	D-5 - E-18
D26CU	E-19 - G-4
D26CUL	G-5 - H-16
D27CU	H-17 - J-4
D27CUL	J-5 - K-12
D29CU	K-13 - L-22

1976 D19 INDEX

Floor Plan	A-5 - A-6
Accessories Group	A-7 - A-8
Bath Group	A-9
Chassis Group	A-9 - A-10
Curtain, Cushion & Pad Group	A-11 - A-13
Dinette Group	A-14
Driver's Compartment Group	A-15 - A-16
Electrical Group	A-17 - A-18
Exterior Body Group	A-19 - A-22
Galley Group	A-23
Heating & Air Conditioning Group	A-24
Interior Finish Group	B-1 - B-2
LP Group	B-3
Lounge Group	B-3
Water & Sewage Group	B-4
Window, Vent & Exterior Door Group	B-5 - B-16

WINDOW, VENT AND EXTERIOR DOOR GROUP (CONTINUED)

WINDSHIELD

Key	Part Number	U/M	Description
	034975-04-000	EA	Glass - Windshield - 1/4" x 22.12" x 45.45" - Right or Left
	036764-03-200	EA	Extr. - Windshleld Trim - Anod. Black - 22.38"
	042744-03-000	EA	Frame Asm. - Windshield - w/o Glass
	038886-01-000	EA	Tape - Butyl - .31" x .31" x 148"
	043988-01-000	EA	Trim - Windshield

VENTS

Key	Part Number	U/M	Description
	039778-01-000	EA	Cover - Plastic Refrigerator Vent
	009407-01-000	EA	Frame - Base - Refrigerator Vent w/o Cover
	049352-01-000	EA	Vent - Stovehood - Outside - Off White (Jensen)
	003213-03-000	EA	Vent - Stovehood - Outside - Non Power - Off White - Strawsine

ACCESS DOORS

Key	Part Number	U/M	Description
	037607-03-000	EA	Door Asm. - Refrigerator Access - Off White - w/Twist Type Lock
	037804-03-000	EA	Door Asm. - Battery - Off White - w/Twist Type Lock
	044210-01-000	EA	Door Asm. - Power Cord - 6" x 10" - Off White Plastic
	043942-01-000	EA	Latch - Quarter Turn - White Plastic
	031387-02-000	EA	Door Asm. - LP - Off White
	043864-03-000	EA	Door Asm. - Generator - Right - Off White
	047801-01-000	EA	Baffle - Generator Door - 18" x 25"
	039884-01-000	EA	Kit - Lock - Twist w/Clip
	047305-01-000	EA	Kit - Lock - Key Type w/Clip
	016945-02-000	EA	Holder Asm. - Battery and Luggage Door (holds door open)

1976 WINNEBAGO TABLE OF CONTENTS

Introduction	A-1
Abbreviations	A-1
Alphabetical Index	A-2 - A-4
D19	A-5 - B-16
D21	B-17 - D-4
D26RT	D-5 - E-18
D26CU	E-19 - G-4
D26CUL	G-5 - H-16
D27CU	H-17 - J-4
D27CUL	J-5 - K-12
D29CU	K-13 - L-22

1976 D19 INDEX

Floor Plan	A-5 - A-6
Accessories Group	A-7 - A-8
Bath Group	A-9
Chassis Group	A-9 - A-10
Curtain, Cushion & Pad Group	A-11 - A-13
Dinette Group	A-14
Driver's Compartment Group	A-15 - A-16
Electrical Group	A-17 - A-18
Exterior Body Group	A-19 - A-22
Galley Group	A-23
Heating & Air Conditioning Group	A-24
Interior Finish Group	B-1 - B-2
LP Group	B-3
Lounge Group	B-3
Water & Sewage Group	B-4
Window, Vent & Exterior Door Group	B-5 - B-18