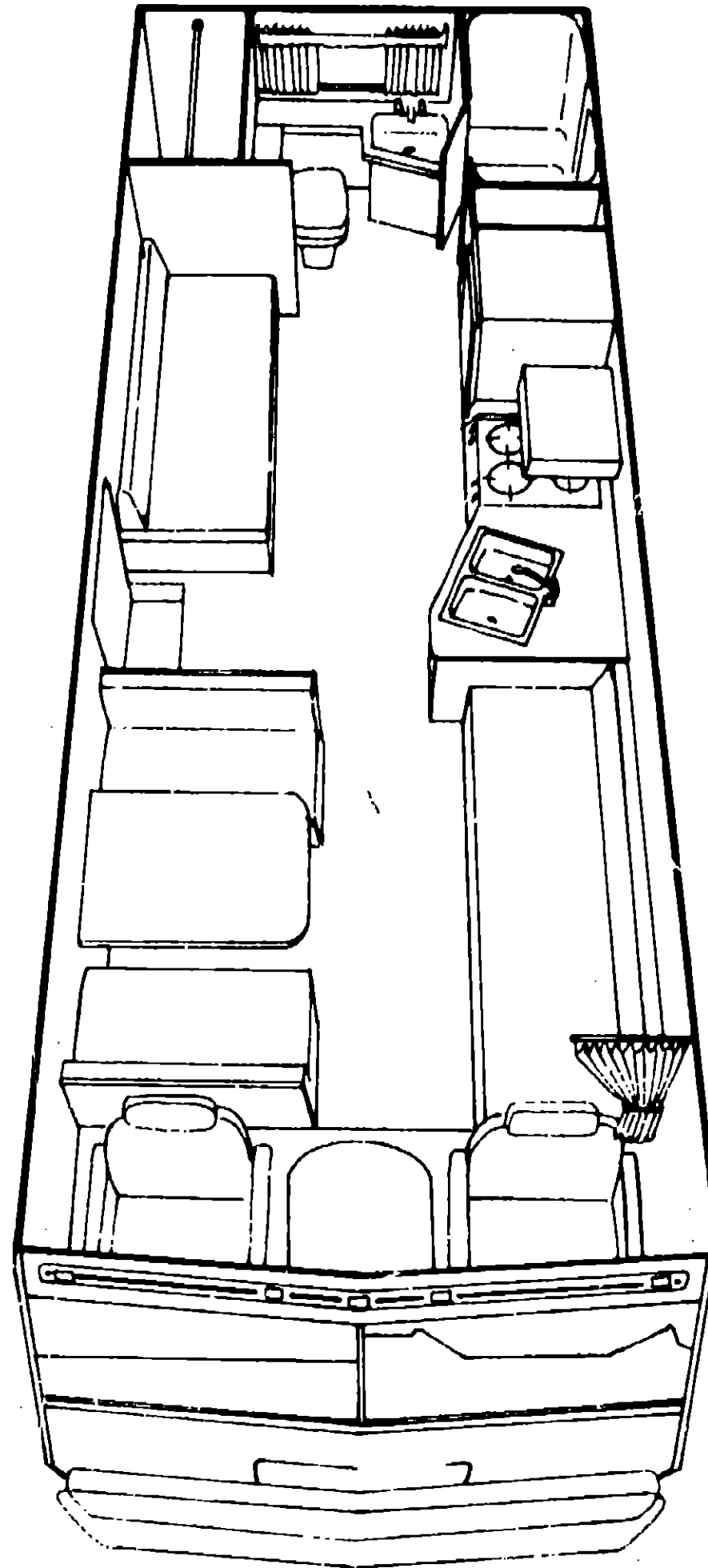


# 1976 C25A



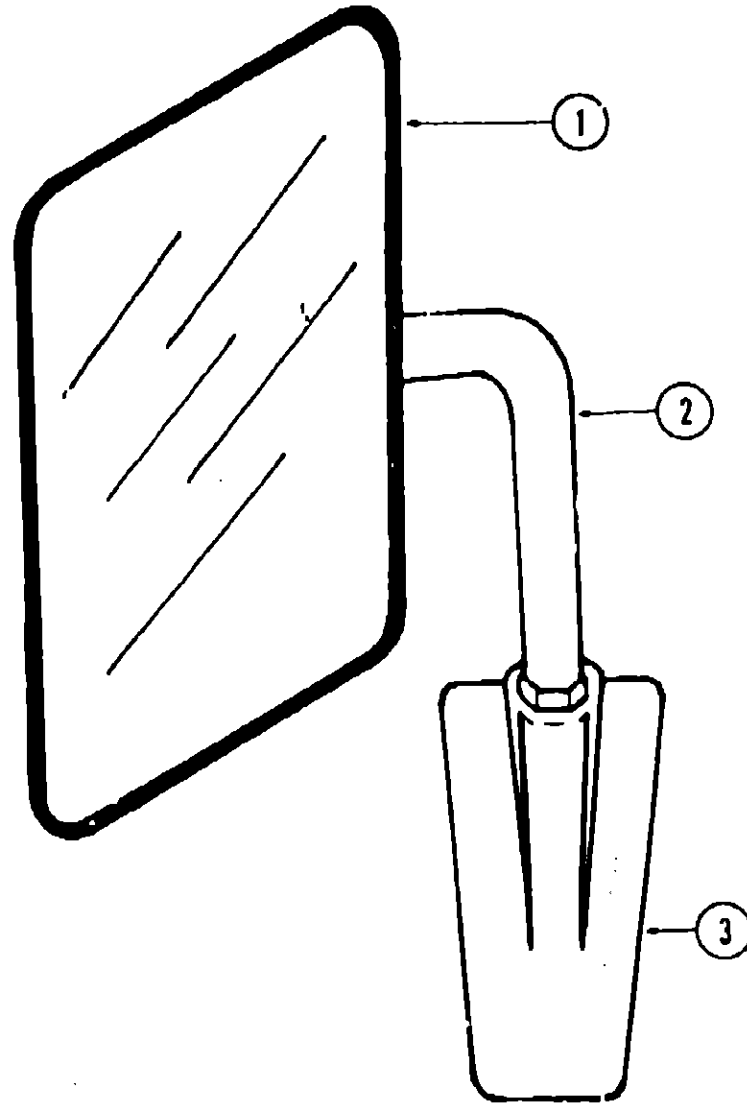
## 1976 ITASCA TABLE OF CONTENTS

Introduction	A-1
Abbreviations	A-1
Alphabetical Index	A-2 - A-4
C25A	A-5 - B-20
C27AL	B-21 - D-10
C27A	D-11 - E-24
C25C	F-1 - G-12
C24C	G-13 - H-24
C22C	I-1 - J-12

## 1976 C25A INDEX

Floor Plan	A-5 - A-6
Accessories Group	A-7 - A-8
Bath Group	A-9 - A-10
Chassis Group	A-11
Curtain, Cushion & Pad Group	A-12 - A-15
Dinette Group	A-16
Driver's Compartment Group	A-17
Electrical Group	A-18 - A-19
Exterior Body Group	A-20 - A-23
Galley Group	A-24
Heating & Air Conditioning Group	B-1
Interior Finish Group	B-2 - B-3
LP Group	B-4
Lounge Group	B-5
Water & Sewage Group	B-6
Window, Vent & Exterior Door Group	B-7 - B-20

## ACCESSORIES GROUP



Key	Part Number	U/M	Description
1	049347-01-000	EA	Mirror Head - 7 1/2" x 10 1/2" - Stainless Steel
2	049348-01-000	EA	Low Mount Mirror - Bright Finish
3	049944-02-000	EA	Bracket - Mirror - Outside - Off White

A-7

## ACCESSORIES GROUP (CONTINUED)

### RADIOS AND RELATED COMPONENTS

Key	Part Number	U/M	Description
	031105-01-000	EA	Antenna - Radio - Side Mount
	031105-01-700	EA	Holder - Antenna - Radio - Upper
	039879-01-000	EA	Kit - Radio Speaker 5 1/4" w/Cover
	049730-01-000	EA	Radio - Clarion - AM w/Fader Switch
	049731-01-000	EA	Radio - Clarion - AM/FM/MPX - w/Fader Switch
	049732-01-000	EA	Radio - Clarion - AM/FM/MPX/8-Track w/Fader Switch
	050785-01-000	EA	Switch - Rear Volume Control
	050751-01-000	EA	Plaque - Fader/Mic Mounting
	048148-01-000	EA	Radio - CB - Messenger 123A
	048153-01-000	EA	Antenna - CB Radio

### SPEED CONTROL AND COMPONENTS

Key	Part Number	U/M	Description
	040568-01-000	EA	Speed Control Package - 454 C.I.D. - A Body
	007255-01-700	EA	Regulator Asm.
	047841-01-701	EA	Servo Asm. - 454 C.I.D.
	007255-01-702	EA	Engage Switch - Clamp On
	007298-01-702	EA	Harness Asm.
	007255-01-703	EA	Cable Asm. - Transmission
	007255-01-704	EA	Switch Asm. Decelerate
	024746-01-700	EA	Relay - Speed Control

### GENERATORS AND INSTALLATION KITS

Key	Part Number	U/M	Description
	040504-01-000	EA	Generator - 2500 Watt - Tray Mount - Kohler
	040505-01-000	EA	Generator - 4000 Watt - Tray Mount - Kohler
	040506-01-000	EA	Generator - 5000 Watt - Tray Mount - Kohler
	044149-01-000	EA	Generator - 6500 Watt - Tray Mount - Kohler
	040507-01-000	EA	Exhaust System - Generator 2500/4000 W
	040612-01-000	EA	Muffler - Generator - 2500/4000 W
	040852-01-000	EA	Exhaust System - Generator 5000 W
	047343-01-000	EA	Exhaust System - Generator 5000/6500 W
	046317-01-000	EA	Tailpipe - Exhaust - Generator 1 3/8" x 5'
	041261-01-000	EA	Wiring Asm. - Remote Generator Switch
	041743-01-000	EA	Switch - Generator - w/o Circuit Board
	007067-01-000	SF	Insulation - Fiberglass - 1"
	050279-01-000	EA	Tray - Generator
	041420-01-000	EA	Elbow - Steel - 1/8" MPT x 3/16" Barb
	042865-01-000	EA	Scoop - Generator Air

### MISCELLANEOUS ACCESSORIES

Key	Part Number	U/M	Description
	017516-01-000	EA	Mudflap - Black - 14" x 18" w/Holes
	040069-01-000	EA	Mat - Door - Black Rubber - 10 1/2" x 26" - Itasca
	006053-01-000	EA	Antenna - TV Braun Delux
	006093-01-000	EA	Jack - TV - Brown (Antenna)
	041086-01-000	EA	Ladder Asm. - w/Luggage Rack
	041086-02-000	EA	Ladder Only for Rack and Ladder Asm.
	006113-01-000	EA	Jack - Hydraulic - 5 Ton
	041944-01-700	EA	Fire Extinguisher w/Bracket - Dry Chemical
	047805-02-700	EA	Bunk - Overhead - Board w/Rails - Front
	042988-01-000	EA	Support Asm. - Left & Right Overhead Bunk Dark Brown
	006076-01-000	EA	Ladder - Bunk
	040071-01-000	EA	Bunk - Support Strap
	039516-01-000	EA	Catch - Bunk - Overhead Safety
	040466-04-000	EA	Cover - Spare Tire - 34"
	031396-02-000	EA	Cover - Wheel

A-8

## 1976 ITASCA TABLE OF CONTENTS

Introduction	A-1
Abbreviations	A-1
Alphabetical Index	A-2 - A-4
C25A	A-5 - B-20
C27AL	B-21 - D-10
C27A	D-11 - E-24
C25C	F-1 - G-12
C24C	G-13 - H-24
C22C	I-1 - J-12

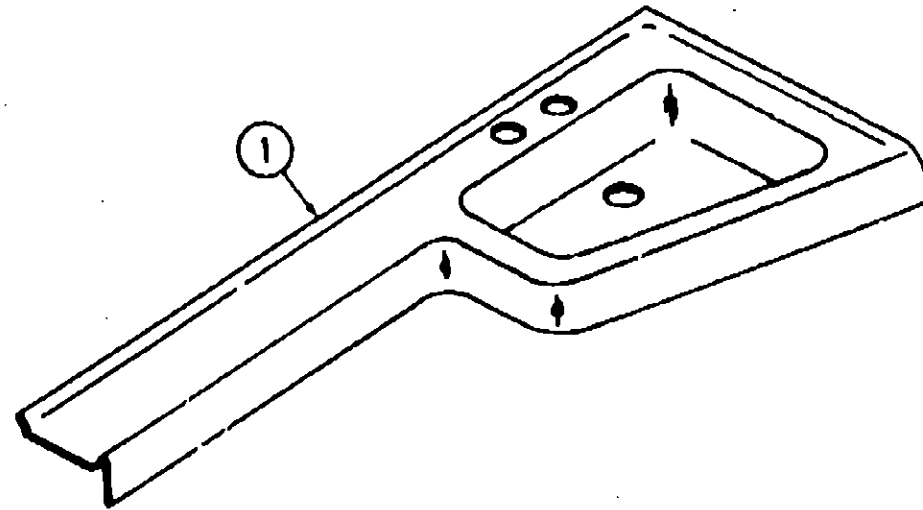
## 1976 C25A INDEX

Floor Plan	A-5 - A-6
Accessories Group	A-7 - A-8
Bath Group	A-9 - A-10
Chassis Group	A-11
Curtain, Cushion & Pad Group	A-12 - A-15
Dinette Group	A-16
Driver's Compartment Group	A-17
Electrical Group	A-18 - A-19
Exterior Body Group	A-20 - A-23
Galley Group	A-24
Heating & Air Conditioning Group	B-1
Interior Finish Group	B-2 - B-3
LP Group	B-4
Lounge Group	B-5
Water & Sewage Group	B-6
Window, Vent & Exterior Door Group	B-7 - B-20

## BATH GROUP

### BATH CABINETRY

Key	Part Number	U/M	Description
	046001-01-000	EA	Cabinet Asm. - Wardrobe - w/o Doors or Hardware
	042602-37-700	EA	Door Asm. - Wardrobe - 18" x 55.88" w/o Hardware
	046046-01-000	EA	Cabinet Asm. - Medicine - Overhead w/o Doors or Hardware
	042529-06-700	EA	Door Asm. - Medicine Cabinet Overhead - w/o Hardware
	046620-01-000	EA	Cabinet Asm. - Vanity w/o Doors or Hardware
	042602-45-700	EA	Door Asm. - Vanity - 7.62" x 20.38" w/o Hardware
	009151-01-000	EA	Warp Guard - 48" (Wardrobe Door)
	009112-01-000	EA	Flange - 1" Rod - Chrome
	009059-01-000	EA	Hinge - 2" Gold - Medicine Cabinet
	038836-01-000	EA	Mirror - 9" x 30" - for Overhead Medicine Cabinet Door



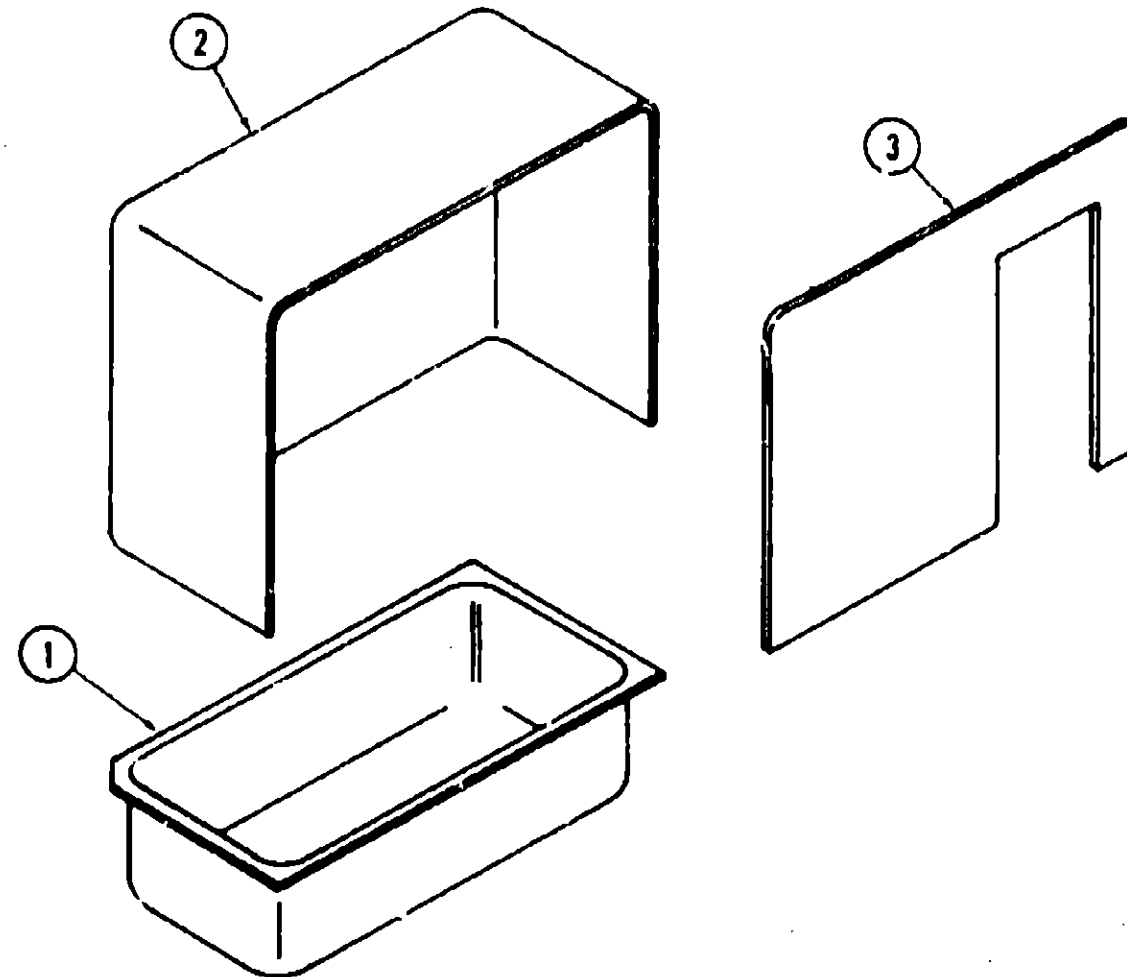
Key	Part Number	U/M	Description
1	042175-01-000	EA	Lavatory - Top w/o Faucets

## BATH GROUP (CONTINUED)

### BATHTUB AND RELATED HARDWARE

Key	Part Number	U/M	Description
	009133-01-000	EA	Bar - Towel Rack - 12" Plastic
	023449-01-000	EA	Support - Towel Rack - Chrome - Left or Right
	009134-01-000	EA	Holder - Tissue
	033580-01-000	EA	Ring - Towel - Chrome w/Plastic Ring
	031583-03-000	EA	Track - Folding Door - 77 3/8" - Opening
	042488-02-000	EA	Door - Folding - 34" x 77 1/8" - Walnut
	011083-02-000	EA	Plug - 1 1/4" with 12" Chain
	011083-01-000	EA	Plug - 1 1/4" with 5" Chain
	011056-01-000	EA	Faucet - 4" Lavatory
	010495-01-000	EA	Clamp - Cable 9/16" (for Shower Hose)
	011048-01-000	EA	Shower Head - w/60" Hose
	011086-01-000	EA	Strainer - Shower Pan
	031558-01-070	EA	Faucet - 4" Tub and Shower
	050739-01-000	EA	Door Asm. - Shower - Clear Anod.
	043566-01-000	EA	Jamb - Shower Door - Bottom
	043567-01-000	EA	Jamb - Shower Door - Right
	043567-02-000	EA	Jamb - Shower Door - Left
...	039341-02-000	EA	Stool Asm. - Ivory - Aqua Magic - Model SH
**	041840-01-000	EA	Toilet - Marine - Aqua Magic III

\*\*The illustrated parts breakdown for this item is provided on the Common Items Fiche.



Key	Part Number	U/M	Description
1	041826-01-000	EA	Bathtub - Bottom
2	041853-01-000	EA	Bathtub - Rear
3	041852-01-000	EA	Bathtub - Front

## 1976 ITASCA TABLE OF CONTENTS

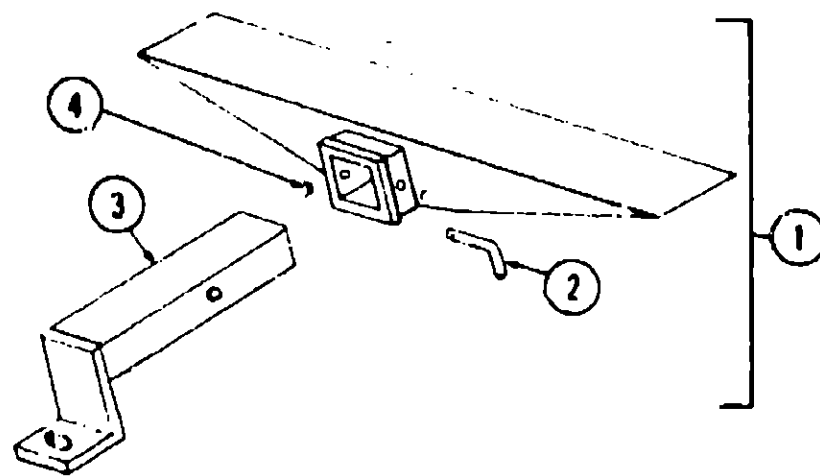
Introduction	A-1
Abbreviations	A-1
Alphabetical Index	A-2 - A-4
C25A	A-5 - F-20
C27AL	B-21 - I-10
C27A	D-11 - E-2'
C25C	F-1 - G-12
C24C	G-13 - H-24
C22C	I-1 - J-12

## 1976 C25A INDEX

Floor Plan	A-5 - A-6
Accessories Group	A-7 - A-8
Bath Group	A-9 - A-10
Chassis Group	A-11
Curtain, Cushion & Pad Group	A-12 - A-15
Dinette Group	A-16
Driver's Compartment Group	A-17
Electrical Group	A-18 - A-19
Exterior Body Group	A-20 - A-23
Galley Group	A-24
Heating & Air Conditioning Group	B-1
Interior Finish Group	B-2 - B-3
LP Group	B-4
Lounge Group	B-5
Water & Sewage Group	B-6
Window, Vent & Exterior Door Group	B-7 - B-20

## CHASSIS GROUP

Key	Part Number	U/M	Description
	048927-01-000	EA	Bumper - Front - Primed
	045254-01-000	EA	Bracket Asm. Bumper - Front Left
	045254-02-000	EA	Bracket Asm. Bumper - Front Right
	020858-02-700	EA	Bumper - Rear - Primed
	022150-01-000	EA	Bracket - Rear Bumper
	024679-01-000	EA	Bracket - Bumper Mount - Rear (2 Per)
	021356-01-000	EA	Support Asm. - Tire Carrier - Right
	022445-01-000	EA	Support Asm. - Tire Carrier - Left
	018924-01-000	EA	Tire Carrier Asm. w/o Supports
	005522-01-000	EA	Pin - Hitch/Carrier - 5/32" Wire
	015365-01-000	EA	Pin - Tire Carrier
	018930-01-000	EA	Bar - Tire Retaining
	045427-01-000	EA	Hoodboard - Steel Top - Right
	045428-01-000	EA	Hoodboard - Steel Bottom - Right
	045426-01-000	EA	Hoodboard - Steel Top - Left
	045430-01-000	EA	Hoodboard - Steel Bottom - Left
	039197-01-000	EA	Cover - Radiator Rear
	024852-01-700	EA	Step - Entry
	024811-04-000	EA	Cap - Gas - Pressure - 1.5" Chrome - Main or Auxillary Fill
	007111-01-000	FT	Hose - Fuel 2 1/4" I.D. SAE 30R1
	041341-01-000	EA	Fill Pipe Aux. Fuel - Lower
	041342-01-000	EA	Fill Pipe Aux. Fuel - Upper
	045814-01-000	EA	Fill - Gas w/Vent 5.44" Long
	042552-01-000	EA	Tank - Fuel 40.4 Gallon
	043716-01-000	EA	Sending Unit - Fuel 90 OHM
	043478-01-000	EA	Canister - Asm. - Vapor
	043477-01-000	EA	Valve - Asm. - 6-Way Fuel Selector
	047509-01-000	EA	Fuel Fill Plastic Recessed Single Off White - Exterior
	022655-02-000	EA	Tail Pipe 2 1/4" x 8"
	021276-01-000	EA	Battery Tray
	044987-01-000	EA	Heat Shield - Muffler
	047811-01-000	EA	Compartment - Sewer Hose
	040413-01-000	EA	Vent Asm. - Aux. Fuel Tank
	040078-01-000	EA	Tank - Fuel - 27 Gallon - Aux.



Key	Part Number	U/M	Description
1	023895-01-700	EA	Hitch Kit - w/Drawbar
2	034512-01-000	EA	Pin - Locking - Drawbar
3	024878-01-700	EA	Drawbar Asm. - Trailer Hitch - Primed
4	034513-01-000	EA	Pin - Hitch - 3/16" Wire Spring

## CURTAIN, CUSHION AND PAD GROUP

### CURTAINS

Key	Part Number	U/M	Description
	043121-34-000	EA	Curtain - w/Snap Top - Right - 27" x 33" - Rust (Fire and Grass)
	043121-35-000	EA	Curtain - w/Snap Top - Right - 27" x 33" - Gold (Aztec Gold)
	043121-36-000	EA	Curtain - w/Snap Top - Right - 27" x 33" - Beige (Saddle)
	043122-34-000	EA	Curtain - w/Snap Top - Left - 27" x 33" - Rust (Fire and Grass)
	043122-35-000	EA	Curtain - w/Snap Top - Left - 27" x 33" - Gold (Aztec Gold)
	043122-36-000	EA	Curtain - w/Snap Top - Left - 27" x 33" - Beige (Saddle)
	039928-56-000	EA	Curtain - w/Snap Top - 25" x 27" - Rust (Fire and Grass)
	039928-57-000	EA	Curtain - w/Snap Top - 25" x 27" - Gold (Aztec Gold)
	039928-58-000	EA	Curtain - w/Snap Top - 25" x 27" - Beige (Saddle)
	039928-53-000	EA	Curtain - w/Snap Top - 22" x 52" - Rust (Fire and Grass)
	039928-54-000	EA	Curtain - w/Snap Top - 22" x 52" - Gold (Aztec Gold)
	039928-55-000	EA	Curtain - w/Snap Top - 22" x 52" - Beige (Saddle)
	043121-30-000	EA	Curtain - w/Snap Top - Right - 27" x 45" - Rust (Fire and Grass)
	043121-31-000	EA	Curtain - w/Snap Top - Right - 27" x 45" - Gold (Aztec Gold)
	043121-32-000	EA	Curtain - w/Snap Top - Right - 27" x 45" - Beige (Saddle)
	043122-30-000	EA	Curtain - w/Snap Top - Left - 27" x 45" - Rust (Fire and Grass)
	043122-31-000	EA	Curtain - w/Snap Top - Left - 27" x 45" - Gold (Aztec Gold)
	043122-32-000	EA	Curtain - w/Snap Top - Left - 27" x 45" - Beige (Saddle)
	043120-66-000	EA	Curtain - w/Snap Top - 33" x 42" - Rust (Fire and Grass)
	043120-67-000	EA	Curtain - w/Snap Top - 33" x 42" - Gold (Aztec Gold)
	043120-68-000	EA	Curtain - w/Snap Top - 33" x 42" - Beige (Saddle)
	049021-41-000	EA	Curtain - w/Snap Top - Right - 64" x 62" - Rust (Fire and Grass)
	049021-42-000	EA	Curtain - w/Snap Top - Right - 64" x 62" - Gold (Aztec Gold)
	049021-43-000	EA	Curtain - w/Snap Top - Right - 64" x 62" - Beige (Saddle)
	049485-11-000	EA	Curtain - w/Snap Top - Left - 42" x 33" - Rust (Fire and Grass)
	049485-12-000	EA	Curtain - w/Snap Top - Left - 42" x 33" - Gold (Aztec Gold)
	049485-13-000	EA	Curtain - w/Snap Top - Left - 42" x 33" - Beige (Saddle)
	041243-18-000	EA	Curtain - Wraparound - Right - 25" x 106" - Rust (Fire and Grass)
	041243-19-000	EA	Curtain - Wraparound - Right - 25" x 106" - Gold (Aztec Gold)
	041243-20-000	EA	Curtain - Wraparound - Right - 25" x 106" - Beige (Saddle)
	041244-18-000	EA	Curtain - Wraparound - Left - 25" x 106" - Rust (Fire and Grass)
	041244-19-000	EA	Curtain - Wraparound - Left - 25" x 106" - Gold (Aztec Gold)
	041244-20-000	EA	Curtain - Wraparound - Left - 25" x 106" - Beige (Saddle)
	033311-25-000	EA	Curtain - Blackout - 56" x 98" - Berkshire Brown Vinyl
	033315-78-000	EA	Curtain - Privacy - 64" x 62" - Rust (Fire and Grass)
	033315-79-000	EA	Curtain - Privacy - 64" x 62" - Gold (Aztec Gold)
	033315-80-000	EA	Curtain - Privacy - 64" x 62" - Beige (Saddle)
	033315-81-000	EA	Curtain - Privacy - 42" x 33" - Rust (Fire and Grass)
	033315-82-000	EA	Curtain - Privacy - 42" x 33" - Gold (Aztec Gold)
	033315-83-000	EA	Curtain - Privacy - 42" x 33" - Beige (Saddle)

### TIE BACKS AND VALANCES

Key	Part Number	U/M	Description
	049097-44-000	EA	Tie Back - 18" - Brown Berkshire Vinyl
	031843-60-000	EA	Tie Back - 17" - Rust (Fire and Grass)
	031843-61-000	EA	Tie Back - 17" - Gold (Aztec Gold)
	031843-62-000	EA	Tie Back - 17" - Beige (Saddle)
	041909-06-000	EA	Valance w/Header - 5 1/2" x 52" - Rust (Fire and Grass)
	041909-07-000	EA	Valance w/Header - 5 1/2" x 52" - Gold (Aztec Gold)
	041909-08-000	EA	Valance w/Header - 5 1/2" x 52" - Beige (Saddle)
	041909-27-000	EA	Valance w/Header - 5 1/2" x 37" - Rust (Fire and Grass)
	041909-28-000	EA	Valance w/Header - 5 1/2" x 37" - Gold (Aztec Gold)
	041909-29-000	EA	Valance w/Header - 5 1/2" x 37" - Beige (Saddle)
	041909-09-000	EA	Valance w/Header - 5 1/2" x 33" - Rust (Fire and Grass)
	041909-10-000	EA	Valance w/Header - 5 1/2" x 33" - Gold (Aztec Gold)
	041909-11-000	EA	Valance w/Header - 5 1/2" x 33" - Beige (Saddle)
	041309-24-000	EA	Valance w/Header - 5 1/2" x 75" - Rust (Fire and Grass)
	041309-25-000	EA	Valance w/Header - 5 1/2" x 75" - Gold (Aztec Gold)
	041309-26-000	EA	Valance w/Header - 5 1/2" x 75" - Beige (Saddle)

## 1978 ITASCA TABLE OF CONTENTS

Introduction	A-1
Abbreviations	A-1
Alphabetical Index	A-2 - A-7
C25A	A-5 - B-20
C27AL	B-21 - D-10
C27A	D-11 - E-24
C25C	F-1 - G-12
C24C	G-13 - H-24
C22C	I-1 - J-12

## 1978 C25A INDEX

Floor Plan	A-5 - A-6
Accessories Group	A-7 - A-8
Bath Group	A-9 - A-10
Chassis Group	A-11
Curtain, Cushion & Pad Group	A-12 - A-15
Dinette Group	A-16
Driver's Compartment Group	A-17
Electrical Group	A-18 - A-19
Exterior Body Group	A-20 - A-23
Galley Group	A-24
Heating & Air Conditioning Group	B-1
Interior Finish Group	B-2 - B-3
LP Group	B-4
Lounge Group	B-5
Water & Sewage Group	B-6
Window, Vent & Exterior Door Group	B-7 - B-20

**CURTAIN, CUSHION AND PAD GROUP (CONTINUED)**

**SWIVEL CHAIRS**

Key	Part Number	U/M	Description
	031517-20-000	EA	Chair Asm. - TT - Rust (Fire and Grass)
	031517-21-000	EA	Chair Asm. - TT - Gold (Aztec Gold)
	031517-22-000	EA	Chair Asm. - TT - Beige (Saddle)
	035036-01-000	EA	Plate - Tilt and Turn Chair
	035036-02-000	EA	Base - TT Chairs w/Holes in Legs

**DINETTE CUSHIONS**

Key	Part Number	U/M	Description
	041910-52-000	EA	Cushion - Waterfall - 27 3/4" x 75" x 5" - Rust (Fire and Grass)
	041910-53-000	EA	Cushion - Waterfall - 27 3/4" x 75" x 5" - Gold (Aztec Gold)
	041910-54-000	EA	Cushion - Waterfall - 27 3/4" x 75" x 5" - Beige (Saddle)
	041910-52-052	EA	Cover - Cushion - Waterfall - 27 3/4" x 75" x 5" - Rust (Fire and Grass)
	041910-53-053	EA	Cover - Cushion - Waterfall - 27 3/4" x 75" x 5" - Gold (Aztec Gold)
	041910-54-054	EA	Cover - Cushion - Waterfall - 27 3/4" x 75" x 5" - Beige (Saddle)
	041913-21-000	EA	Cushion - Bolster - 8" x 7" x 13.5" x 36.5" - Rust (Fire and Grass)
	041913-22-000	EA	Cushion - Bolster - 8" x 7" x 13.5" x 36.5" - Gold (Aztec Gold)
	041913-23-000	EA	Cushion - Bolster - 8" x 7" x 13.5" x 36.5" - Beige (Saddle)
	041913-21-021	EA	Cover - Cushion - Bolster - 8" x 7" x 13.5" x 36.5" - Rust (Fire and Grass)
	041913-22-022	EA	Cover - Cushion - Bolster - 8" x 7" x 13.5" x 36.5" - Gold (Aztec Gold)
	041913-23-023	EA	Cover - Cushion - Bolster - 8" x 7" x 13.5" x 36.5" - Beige (Saddle)
	041910-43-000	EA	Cushion - Waterfall - 5" x 22 1/2" x 38" - Rust (Fire and Grass)
	041910-44-000	EA	Cushion - Waterfall - 5" x 22 1/2" x 38" - Gold (Aztec Gold)
	041910-45-000	EA	Cushion - Waterfall - 5" x 22 1/2" x 38" - Beige (Saddle)
	041910-43-043	EA	Cover - Cushion - Waterfall - 5" x 22 1/2" x 38" - Rust (Fire and Grass)
	041910-44-044	EA	Cover - Cushion - Waterfall - 5" x 22 1/2" x 38" - Gold (Aztec Gold)
	041910-45-045	EA	Cover - Cushion - Waterfall - 5" x 22 1/2" x 38" - Beige (Saddle)
	041910-46-000	EA	Cushion - Waterfall - 5" x 14 1/4" x 38" - Rust (Fire and Grass)
	041910-47-000	EA	Cushion - Waterfall - 5" x 14 1/4" x 38" - Gold (Aztec Gold)
	041910-48-000	EA	Cushion - Waterfall - 5" x 14 1/4" x 38" - Beige (Saddle)
	041910-46-046	EA	Cover - Cushion - Waterfall - 5" x 14 1/4" x 38" - Rust (Fire and Grass)
	041910-47-047	EA	Cover - Cushion - Waterfall - 5" x 14 1/4" x 38" - Gold (Aztec Gold)
	041910-48-048	EA	Cover - Cushion - Waterfall - 5" x 14 1/4" x 38" - Beige (Saddle)

**LOUNGE CUSHIONS**

Key	Part Number	U/M	Description
	046827-01-000	EA	Cushion - Waterfall - 4" x 28" x 73" - Rust (Fire and Grass)
	046827-02-000	EA	Cushion - Waterfall - 4" x 28" x 73" - Gold (Aztec Gold)
	046827-03-000	EA	Cushion - Waterfall - 4" x 28" x 73" - Beige (Saddle)
	046827-01-001	EA	Cover - Cushion - Waterfall - 4" x 28" x 73" - Rust (Fire and Grass)
	046827-02-002	EA	Cover - Cushion - Waterfall - 4" x 28" x 73" - Gold (Aztec Gold)
	046827-03-003	EA	Cover - Cushion - Waterfall - 4" x 28" x 73" - Beige (Saddle)
	046831-01-000	EA	Skirt - Lounge - 15" x 76" - Rust (Fire and Grass)
	046831-02-000	EA	Skirt - Lounge - 15" x 76" - Gold (Aztec Gold)
	046831-03-000	EA	Skirt - Lounge - 15" x 76" - Beige (Saddle)
	046832-01-000	EA	Cushion - 2 Fold - Mitered - 5" x 11" x 11" x 73" - Rust (Fire and Grass)
	046832-02-000	EA	Cushion - 2 Fold - Mitered - 5" x 11" x 11" x 73" - Gold (Aztec Gold)
	046832-03-000	EA	Cushion - 2 Fold - Mitered - 5" x 11" x 11" x 73" - Beige (Saddle)
	046832-01-001	EA	Cover - Cushion - 2 Fold - Mitered - 5" x 11" x 11" x 73" - Rust (Fire and Grass)
	046832-02-002	EA	Cover - Cushion - 2 Fold - Mitered - 5" x 11" x 11" x 73" - Gold (Aztec Gold)
	046832-03-003	EA	Cover - Cushion - 2 Fold - Mitered - 5" x 11" x 11" x 73" - Beige (Saddle)

**CURTAIN, CUSHION AND PAD GROUP (CONTINUED)**

**BUCKET SEATS, ARMRESTS AND HEADRESTS**

Key	Part Number	U/M	Description
	042272-07-000	EA	Seat Asm. - Single Bucket w/Skirt - w/o Armrests or Headrests - Rust (Fire and Grass)
	042272-08-000	EA	Seat Asm. - Single Bucket w/Skirt - w/o Armrests or Headrest - Gold (Aztec Gold)
	042272-09-000	EA	Seat Asm. - Single Bucket w/Skirt - w/o Armrests or Headrests - Beige (Saddle)
	042272-07-001	EA	Cover - Single Bucket Seat - Bottom - Rust (Fire and Grass)
	042272-08-001	EA	Cover - Single Bucket Seat - Bottom - Gold (Aztec Gold)
	042272-09-001	EA	Cover - Single Bucket Seat - Bottom - Beige (Saddle)
	042272-07-002	EA	Cover - Single Bucket Seat - Back - Rust (Fire and Grass)
	042272-08-002	EA	Cover - Single Bucket Seat - Back - Gold (Aztec Gold)
	042272-09-002	EA	Cover - Single Bucket Seat - Back - Beige (Saddle)
	042426-07-000	EA	Skirt - Single Bucket Seat - Rust (Fire and Grass)
	042426-08-000	EA	Skirt - Single Bucket Seat - Gold (Aztec Gold)
	042426-09-000	EA	Skirt - Single Bucket Seat - Beige (Saddle)
	042274-07-000	EA	Seat Asm. - Double Bucket w/Skirt - w/o Armrests or Headrest - Rust (Fire and Grass)
	042274-08-000	EA	Seat Asm. - Double Bucket - w/Skirt - w/o Armrests or Headrest - Gold (Aztec Gold)
	042274-09-000	EA	Seat Asm. - Double Bucket - w/Skirt - w/o Armrests or Headrest - Beige (Saddle)
	042274-07-001	EA	Cover - Double Bucket Seat - Back - Rust (Fire and Grass)
	042274-08-001	EA	Cover - Double Bucket Seat - Back - Gold (Aztec Gold)
	042274-09-001	EA	Cover - Double Bucket Seat - Back - Beige (Saddle)
	042274-07-002	EA	Cover - Double Bucket Seat - Bottom - Rust (Fire and Grass)
	042274-08-002	EA	Cover - Double Bucket Seat - Bottom - Gold (Aztec Gold)
	042274-09-002	EA	Cover - Double Bucket Seat - Bottom - Beige (Saddle)
	042427-07-000	EA	Skirt - Double Bucket Seat - Rust (Fire and Grass)
	042427-08-000	EA	Skirt - Double Bucket Seat - Gold (Aztec Gold)
	042427-09-000	EA	Skirt - Double Bucket Seat - Beige (Saddle)
	033905-23-000	EA	Headrest Asm. - Rust (Fire and Grass)
	033905-24-000	EA	Headrest Asm. - Gold (Aztec Gold)
	033905-25-000	EA	Headrest Asm. - Beige (Saddle)
	019722-01-000	EA	Headrest Asm. - Foam w/o Cover
	040492-15-015	EA	Armrest Cover - Rust (Fire and Grass)
	040492-16-016	EA	Armrest Cover - Gold (Aztec Gold)
	040492-17-017	EA	Armrest Cover - Beige (Saddle)
	040494-01-000	EA	Armrest Asm. - Foam w/o Cover - Right - Style #1
	040494-02-000	EA	Armrest Asm. - Foam w/o Cover - Left - Style #1
	050275-01-700	EA	Armrest Asm. - Foam w/o Cover - Right - Style #2
	050275-01-700	EA	Armrest Asm. - Foam w/o Cover - Left - Style #2
	046767-01-000	EA	Armrest Asm. - Sidewall Mount - Left
	046766-01-000	EA	Armrest Asm. - Sidewall Mount - Right

**NOTE**

A production change was made in the armrest. When ordering, you must first determine which style is required. Measure up ten inches from the bottom of the seat frame. If you feel (through the upholstery) a collar protruding outward approximately 1/2", you should order style two. Order style one if no protrusion is noted.

**1976 ITASCA  
TABLE OF CONTENTS**

Introduction	A-1
Abbreviations	A-1
Alphabetical Index	A-2 - A-4
C25A	A-5 - B-20
C27AL	B-21 - D-10
C27A	D-11 - E-24
C25C	F-1 - G-12
C24C	G-13 - H-24
C22C	I-1 - J-12

**1976 C25A  
INDEX**

Floor Plan	A-5 - A-6
Accessories Group	A-7 - A-8
Bath Group	A-9 - A-10
Chassis Group	A-11
Curtain, Cushion & Pad Group	A-12 - A-15
Dinette Group	A-16
Driver's Compartment Group	A-17
Electrical Group	A-18 - A-19
Exterior Body Group	A-20 - A-23
Galley Group	A-24
Heating & Air Conditioning Group	B-1
Interior Finish Group	B-2 - B-3
LP Group	B-4
Lounge Group	B-5
Water & Sewage Group	B-6
Window, Vent & Exterior Door Group	B-7 - B-20

## CURTAIN, CUSHION AND PAD GROUP (CONTINUED)

### MATTRESSES

Key	Part Number	U/M	Description
	041914-16-000	EA	Mattress - Flexsteel - 4" x 42" x 78" - Rust (Fire and Grass)
	041914-17-000	EA	Mattress - Flexsteel - 4" x 42" x 78" - Gold (Aztec Gold)
	041914-18-000	EA	Mattress - Flexsteel - 4" x 42" x 78" - Beige (Saddle)

### FABRICS AND TRIM

Key	Part Number	U/M	Description
	043618-01-000	YD	Fabric - Upholstery - Rust (Fire and Grass)
	043618-02-000	YD	Fabric - Upholstery - Gold (Aztec Gold)
	043618-03-000	YD	Fabric - Upholstery - Beige (Saddle)
	043619-01-000	YD	Fabric - Drapery - Rust (Fire and Grass)
	043619-02-000	YD	Fabric - Drapery - Gold (Aztec Gold)
	043619-03-000	YD	Fabric - Drapery - Beige (Saddle)
	042411-01-000	YD	Vinyl - Non-Expanded - 27 Oz. - Brown (Bostonian)
	042411-02-000	YD	Vinyl - Expanded - 28 Oz. - Brown (Bostonian)
	043411-03-000	YD	Vinyl - Non Support - 16 Gauge - Brown (Bostonian)
	042373-10-000	EA	Button Asm. - Covered - Rust (Fire and Grass)
	042373-11-000	EA	Button Asm. - Covered - Gold (Aztec Gold)
	042373-12-000	EA	Button Asm. - Covered - Beige (Saddle)
	042414-01-000	FT	Trim - Accent - Brown (Bostonian)
	023631-05-000	EA	Button - Brown (Bostonian)

### CURTAIN HARDWARE

Key	Part Number	U/M	Description
	052327-04-236	EA	Curtain Track - Brown Alum - 89" w/Holes
	018031-42-000	EA	Curtain Track - "L" Rod - 90" Alum.
	009220-01-000	EA	Rod - Curtain - Flat - Extends 18" - 28"
	009223-01-000	EA	Rod - Curtain - Flat - Extends 32" - 51"
	009223-02-000	EA	Rod - Curtain - Flat - Extends 48" - 84"
	042439-01-000	EA	Bracket - Curtain Rod - Single
	035429-06-000	EA	Track - Wraparound Curtain - Left
	035429-05-000	EA	Track - Wraparound Curtain - Right
	009107-01-000	EA	Guide - Nylon Snap
	029100-01-000	EA	Hook - Pin - Curtain
	009701-01-000	EA	Carrier - Curtain - "L" Rod
	009702-01-000	EA	End Stop - Curtain - "L" Rod



Key	Part Number	U/M	Description
1	029130-01-000	EA	Socket - Snap Fastener
2	029155-01-000	EA	Cap - Snap - .156" Diameter x .17" Barrel
3	029156-01-000	EA	Socket - Snap Fastener
4	029092-01-000	EA	Stud - Nickel Finish
5	029093-01-000	EA	Eyelet - Nickel Finish

## DINETTE GROUP

Key	Part Number	U/M	Description
	024274-21-700	EA	Table - Dinette w/o Hardware - Rust (Fire and Grass)
	024274-22-700	EA	Table - Dinette w/o Hardware - Gold (Aztec Gold)
	024274-23-700	EA	Table - Dinette w/o Hardware - Beige (Saddle)
	047942-01-000	EA	Kit Hardware - Dinette Table Leg
	047809-02-000	EA	Kit Hardware - Dinette Table Wall Mount
	045997-01-000	EA	Cabinet - Dinette Bench (Opposite Table)
	046000-01-000	EA	Seat - Dinette Front Right
	042800-09-700	EA	Door Asm. - Dinette Seat - 23.75" x 8" w/o Hardware
	046003-01-000	EA	Back - Dinette Seat Front Right
	045999-01-000	EA	Seat - Dinette Rear Right
	042602-42-700	EA	Door Asm. - Dinette Seat - 17.62" x 11.12" w/o Hardware
	046002-01-000	EA	Back - Dinette Seat Rear Right
	045841-01-000	EA	Cabinet Asm. - Dinette Overhead w/o Doors or Hardware
	042800-07-700	EA	Door Asm. - Dinette Overhead w/o Hardware
	039582-02-700	EA	Table - Dinette - Fold Down One Piece w/o Hardware - Rust (Fire and Grass)
	039582-03-700	EA	Table - Dinette - Fold Down One Piece w/o Hardware - Gold (Aztec Gold)
	039582-04-700	EA	Table - Dinette - Fold Down One Piece w/o Hardware - Beige (Saddle)
	039587-02-000	EA	Cabinet - Table - Fold Down - Rust (Fire and Grass)
	039487-03-000	EA	Cabinet - Table - Fold Down - Gold (Aztec Gold)
	039587-04-000	EA	Cabinet - Table - Fold Down - Beige (Saddle)
	041884-01-000	EA	Hinge - Continuous Steel - 1 1/2" x 18" w/Holes
	047842-02-000	EA	Kit - Leg - Fold Down Dinette Table
	042718-01-000	EA	Cover - Cabinet Standpipe

## 1978 ITASCA TABLE OF CONTENTS

Introduction	A-1
Abbreviations	A-1
Alphabetical Index	A-2 - A-4
C25A	A-5 - B-20
C27AL	B-21 - D-10
C27A	D-11 - E-24
C25C	F-1 - G-12
C24C	G-13 - H-24
C22C	I-1 - J-12

## 1978 C25A INDEX

Floor Plan	A-5 - A-6
Accessories Group	A-7 - A-8
Bath Group	A-9 - A-10
Chassis Group	A-11
Curtain, Cushion & Pad Group	A-12 - A-15
Dinette Group	A-16
Driver's Compartment Group	A-17
Electrical Group	A-18 - A-19
Exterior Body Group	A-20 - A-23
Galley Group	A-24
Heating & Air Conditioning Group	B-1
Interior Finish Group	B-2 - B-3
LP Group	B-4
Lounge Group	B-5
Water & Sewage Group	B-6
Window, Vent & Exterior Door Group	B-7 - B-20

## DRIVER'S COMPARTMENT GROUP

### DASH PANEL AND COMPONENTS

Key	Part Number	U/M	Description
	031823-04-000	EA	Dash Asm. - w/Pads, Gauges and Switches
	022548-02-000	EA	Pad - Dash - Foam Right Hand - Oxen Tan
	023242-03-000	EA	Pad - Dash - Foam Left Hand - Oxen Tan
	024418-01-000	EA	Lamp - Asm. - Map/Gauge
	007308-01-000	EA	Clock - Dash
	007037-01-000	EA	Lighter Asm. - Cigarette 12V
	007041-01-000	EA	Bezel - Cigarette Lighter
	024379-01-000	EA	Bezel - Entertainment Center
	007071-01-000	EA	Louver - Chrome - w/Chrome Wheel
	022517-01-000	EA	Bezel - Panel - Control
	023020-01-000	EA	Lamp Asm. - Tell Tale
	024907-01-000	EA	Control Asm. - Heater - A/C - 3 Speed
	024461-01-000	EA	Switch - Battery
	024463-01-000	EA	Switch - Blinker
	024464-01-000	EA	Switch - Washer
	024465-01-000	EA	Switch - Fuel
	024467-01-000	EA	Switch - Wiper
	024459-01-000	EA	Gauge - Voltmeter
	024460-01-000	EA	Gauge - Vacuum
	024462-01-000	EA	Switch - Battery Condition
	031035-01-000	EA	Gauge - Hourmeter Generator
	024990-01-000	EA	Outlet - Defroster - w/Swivel - 2" Oxen Tan
	039044-01-000	EA	Louver Asm. - A/C Adjustable

### BUCKET SEAT PEDESTAL AND SEAT BELTS

Key	Part Number	U/M	Description
	007221-01-000	EA	Spacer - Seat Adjuster
	038837-01-000	EA	Pedestal Asm. - Seat - Seat Bottom w/Tightener
	038832-01-000	EA	Rod - Seat Adjuster
	041654-01-000	EA	Pedestal - Base - Single & Double Seat
	007223-01-000	EA	Adjuster Asm. - Seat w/Lock
	007227-01-000	EA	Adjuster - Seat - w/o Lock
	041459-01-000	EA	Pedestal - Top - Single Seat
	007019-01-000	EA	Belt Asm. - Seat - 2" x 84" Black
	041322-01-000	EA	Waist - Flat 15/32" I.D. x 2 3/8" O.D. - Seat Belt
	007224-02-000	EA	Handle - Seat Adjuster 5"

### MISCELLANEOUS DRIVER'S COMPARTMENT COMPONENTS

Key	Part Number	U/M	Description
	046886-01-000	EA	Ashtro. Asm. - Flush Mount Chrome
	042341-03-000	EA	Trim - Interior "A" Post - Left - Brown Plastic
	042341-04-000	EA	Trim - Interior "A" Post - Right - Brown Plastic
	007278-01-000	EA	Mirror - Inside Rear View - 4 1/2" x 9"
	048583-01-000	EA	Tray - Beverage - Sliding
	041476-01-000	FT	Track - Slide PVC Brown
	039333-01-000	EA	Cover - Motor - Plastic
	039857-01-000	EA	Latch - Rubber - Draw Handle 5 1/4" w/Strike
	039855-01-000	EA	Latch - Rubber - Draw Handle 3" w/Strike
	047515-03-000	EA	Tray Asm. - Beverage - Stationary Mounted to Dash
	040519-01-000	EA	Boot - Rubber Steering Column
	040520-01-000	EA	Boot - Retainer - Steering Column
	034499-01-000	EA	Support - Dimmer Switch
	042434-02-000	EA	Sunvisor Asm. - 8" x 28" - Dark Brown - Left or Right
	035368-02-000	EA	Seal - Motor Cover - Alum.
	045862-01-000	EA	Cabinet Asm. - Front Overhead

## ELECTRICAL GROUP

### BULBS

Key	Part Number	U/M	Description
	037935-01-000	EA	Bulb - 1157
	038010-01-000	EA	Bulb - 1143
	008103-01-000	EA	Bulb - 53
	008213-01-000	EA	Bulb - 57
	008214-01-000	EA	Bulb - 67
	008215-01-000	EA	Bulb - 1003
	008218-01-000	EA	Bulb - 1034
	008217-01-000	EA	Bulb - 1073
	008218-01-000	EA	Bulb - 1141
	008219-01-000	EA	Bulb - 656
	008220-01-000	EA	Bulb - 12V - 25W
	038198-01-000	EA	Bulb - 194
	700020-01-000	EA	Bulb - 12V - 20W - 1383

### EXTERIOR LIGHTS

Key	Part Number	U/M	Description
	045863-01-000	EA	Lamp Asm. - Tail Horizontal
	045864-01-000	EA	Lamp Asm. - Tail Horizontal w/License Mount
	046125-01-000	EA	Wedge - Tail Light
	033748-01-000	EA	Light - Clearance - Oval - Amber
	033748-02-000	EA	Light - Clearance - Oval - Red

### INTERIOR LIGHTS

Key	Part Number	U/M	Description
	024418-01-000	EA	Lamp Asm. - Map/Gauge/Asle
	024473-01-000	EA	Light - Aircraft - 1 Bulb - Gold
	033508-01-000	EA	Light - Dome - Ivory - 1 Bulb
	024642-01-701	EA	Lens - Dome - Light - 1 Bulb
	033509-01-000	EA	Light - Dome - Ivory - 2 Bulb
	024643-01-701	EA	Lens - Dome Light - 2 Bulb

### FUSES AND CIRCUIT BREAKERS

Key	Part Number	U/M	Description
	008233-01-000	EA	Fuse - 12 Volt - 6 Amp.
	008234-01-000	EA	Fuse - 12 Volt - 10 Amp.
	008235-01-000	EA	Fuse - 12 Volt - 15 Amp.
	008236-01-000	EA	Fuse - 12 Volt - 20 Amp.
	008248-01-000	EA	Fuse - 110 Volt - 30 Amp. - AGU
	008252-01-000	EA	Fuse - 110 Volt - 50 Amp.
	008208-01-000	EA	Circuit Breaker - 12 Volt - 40 Amp.
	008211-01-000	EA	Circuit Breaker - 12 Volt - 6 Amp.
	008268-01-000	EA	Circuit Breaker - 12 Volt - 30 Amp. w/Mount
	033573-01-000	EA	Circuit Breaker - 12 Volt - 20 Amp. w/Mount
	040051-01-000	EA	Circuit Breaker - 110 Volt - 20 Amp. - TQL

## 1976 ITASCA TABLE OF CONTENTS

Introduction	A-1
Abbreviations	A-1
Alphabetical Index	A-2 - A-4
C25A	A-5 - B-20
C27AL	B-21 - D-10
C27A	D-11 - E-24
C25C	F-1 - G-12
C24C	G-13 - H-24
C22C	I-1 - J-12

## 1976 C25A INDEX

Floor Plan	A-5 - A-6
Accessories Group	A-7 - A-8
Bath Group	A-9 - A-10
Chassis Group	A-11
Curtain, Cushion & Pad Group	A-12 - A-15
Dinette Group	A-16
Driver's Compartment Group	A-17
Electrical Group	A-18 - A-19
Exterior Body Group	A-20 - A-23
Galley Group	A-24
Heating & Air Conditioning Group	B-1
Interior Finish Group	B-2 - B-3
LP Group	B-4
Lounge Group	B-5
Water & Sewage Group	B-6
Window, Vent & Exterior Door Group	B-7 - B-20

## ELECTRICAL GROUP (CONTINUED)

### WINDSHIELD WIPER AND WASHER

Key	Part Number	U/M	Description
	007029-01-000	EA	Washer - Electric - Windshiled
	037997-01-000	EA	Arm - Windshiled Wiper - 15"
	037998-01-000	EA	Link Arm. - Connecting - 22.40" Long
	037999-01-000	EA	Motor Asm. - Windshiled Wiper
	038000-01-000	EA	Blade - Windshiled Wiper - 18"
	038001-01-000	EA	Shaft and Pivot Asm. - 2.25" Arm
	700073-05-000	EA	Pump and Cover Asm. - Windshiled Washer
	700073-04-000	EA	Reservoir Only - Water - Windshiled Washer
	700073-02-000	EA	Washer Nozzle Hardware Package

### WIRE, SWITCHES, AND RECEPTACLES

Key	Part Number	U/M	Description
	006024-01-000	FT	Wire - 18.5 Bonded - Orange/White/Yellow/Blue/Brown
	006025-01-000	FT	Wire - 18.5 Bonded - Orange/White/Yellow/Blue/Green
	006028-01-000	FT	Wire - 18.5 Bonded - Blue/Red/Yellow/Orange/White
	006030-01-000	FT	Wire - 18.4 Bonded
	008251-01-000	EA	Holder - Fuse - Black - Screw Type
	008277-01-000	EA	Holder - Fuse - Black - Panel Mount
	008195-01-000	EA	Switch - Push Button - 12 Volt
	006077-01-000	EA	Plaque - Compressor Switch
	008054-01-000	EA	Cord - Power - 10-3 30 Amp. - 25' - UL
	034818-04-000	EA	Holder - Receptacle - Plastic
	038338-01-000	EA	Cover Plate - Receptacle - Plastic - Brown
	038342-01-000	EA	Receptacle - Duplex Brown - T Junction
	024571-01-000	EA	Cover Plate - Receptacle - Jumbo Steel Brown
	038343-01-000	EA	Cap - End - Receptacle
	008162-01-000	EA	Switch - Double Toggle - Spade Brown
	008163-01-000	EA	Switch - Toggle Brown
	008164-01-000	EA	Cover Plate - Switch - Brown
	024924-01-000	EA	Receptacle - Power Cord
	008058-01-000	EA	Adaptor - Power Cord
	047353-01-000	EA	Cover - Receptacle - Ground Fault
	047351-01-000	EA	Receptacle - Ground Fault Interrupter - 125 Volt, Black

### MISCELLANEOUS ELECTRICAL COMPONENTS

Key	Part Number	U/M	Description
	047338-01-000	EA	Isolator - Dual Battery
	047389-01-700	EA	Battery - 12 Volt - 105 Amp. Deep Cycle - Dry
	008188-01-000	EA	Solenoid - Dual Battery - Relay
	046775-01-000	EA	Valve - Gas - Change Over
	039950-02-000	EA	Control Center - 30 Amp. w/Door - UL
	024417-01-000	EA	Panel - Control - Water/Double Sewage - Wemac
	039881-01-000	EA	Sending Unit Kit - Wemac
	024459-01-000	EA	Gauge - Voltmeter
	024462-01-000	EA	Switch - Battery Condition
	031035-01-000	EA	Gauge - Hour Meter - Generator
	024976-01-000	EA	Switch - Generator w/o Circuit Board
	024460-01-000	EA	Gauge Vacuum

## EXTERIOR BODY GROUP

### EXTERIOR BODY PANELS AND SHEET ALUMINUM

Key	Part Number	U/M	Description
	046031-01-000	EA	Backwall Asm.
	046117-01-000	EA	Sidewall Asm. - Right
	046118-01-000	EA	Sidewall Asm. - Left
	046118-01-000	EA	Roof Asm. - Plain Finish
	039155-03-009	EA	Off White Mesa Alum. - .024" x 36" x 60"
	039155-03-002	EA	Off White Mesa Alum. - .024" x 36" x 300"
	039155-03-003	EA	Off White Mesa Alum. - .024" x 36" x 360"
	039155-03-007	EA	Off White Mesa Alum. - .024" x 48" x 80"
	039155-03-005	EA	Off White Mesa Alum. - .024" x 48" x 300"
	039155-03-008	EA	Off White Mesa Alum. - .024" x 48" x 360"
	039155-03-009	EA	Off White Mesa Alum. - .024" x 12" x 360"
	014487-01-001	EA	Plain Roof Metal - 96" x 360"
	039155-07-010	EA	Off White Grayhound Alum. - 48" x 96"
	001054-01-011	EA	Off White Plain Alum. - 48" x 96"
	000868-01-000	BF	Styrofoam - 3/4" x 24" x 66"
	000870-01-000	BF	Styrofoam - 1 1/2" x 24" x 96"
	046817-01-000	EA	Panel Asm. - Valance - Off White

### EXTERIOR PAINT

Key	Part Number	U/M	Description
	041561-01-000	EA	Paint - Off White - Acrylic Enamel - 1 Gal.
	041561-03-000	EA	Paint - Off White - Acrylic Enamel - 16 Oz. Aerosol
	041561-04-000	EA	Paint - Off White - Acrylic Lacquer - 1 Gal.
	045812-01-000	EA	Paint - Orange - Acrylic Enamel - 1 Gal.
	045812-03-000	EA	Paint - Orange - Acrylic Enamel - 16 Oz. Aerosol
	041565-01-000	EA	Paint - Rally Yellow - Acrylic Enamel - 1 Gal.
	041565-03-000	EA	Paint - Rally Yellow - Acrylic Enamel - 16 Oz. Aerosol
	045681-01-000	EA	Paint - High Gloss Black - Acrylic Enamel - 1 Gal.
	045681-03-000	EA	Paint - High Gloss Black - Acrylic Enamel - 16 Oz. Aerosol
	042933-04-000	EA	Paint - Dark Brown - Acrylic Enamel - 1 Gal.
	042933-03-000	EA	Paint - Dark Brown - Acrylic Enamel - 16 Oz. Aerosol

### LABELS AND DECALS

Key	Part Number	U/M	Description
	006031-01-000	EA	Label - Potable Water Only
	006187-01-000	EA	Label - Sewage
	006188-01-000	EA	Label - Waste Water
	006199-01-000	EA	Label - Exit - Escape Window
	039289-01-000	EA	Label - Warning Aux. Loading
	008023-01-000	EA	Label - Water Only
	006025-01-000	EA	Label - Gas
	006028-01-000	EA	Label - Drain - Cap - 2" x 3"
	040944-01-000	EA	Label - Open - Entrance Door
	008092-01-000	EA	Reflector - Stick on - Rectangular - Red
	008093-01-000	EA	Reflector - Stick on - Rectangular - Amber
	046325-01-000	EA	Decal - Logo - Itasca - Grille
	046764-01-000	EA	Decal - Grille Accent - Left - Orange
	046764-02-000	EA	Decal - Grille Accent - Right - Orange
	040055-01-000	EA	Decal - Clearance Light Stripe - Right
	040055-02-000	EA	Decal - Clearance Light Stripe - Left
	041273-02-000	FT	Decal - Stripe - .88" Black
	046320-01-000	EA	Stencil - Stripe - Front - Side - Right
	046320-02-000	EA	Stencil - Stripe - Front Side - Left
	041273-04-000	FT	Decal - Stripe - .64" Orange - Grille
	046322-01-000	EA	Decal - Stripe - Front Side - Right - Black
	046322-02-000	EA	Decal - Stripe - Front Side - Left - Black
	046323-01-000	EA	Stencil - Logo - Itasca "I"
	046400-01-000	EA	Decal - Logo - Itasca 5.25" High

## 1976 ITASCA TABLE OF CONTENTS

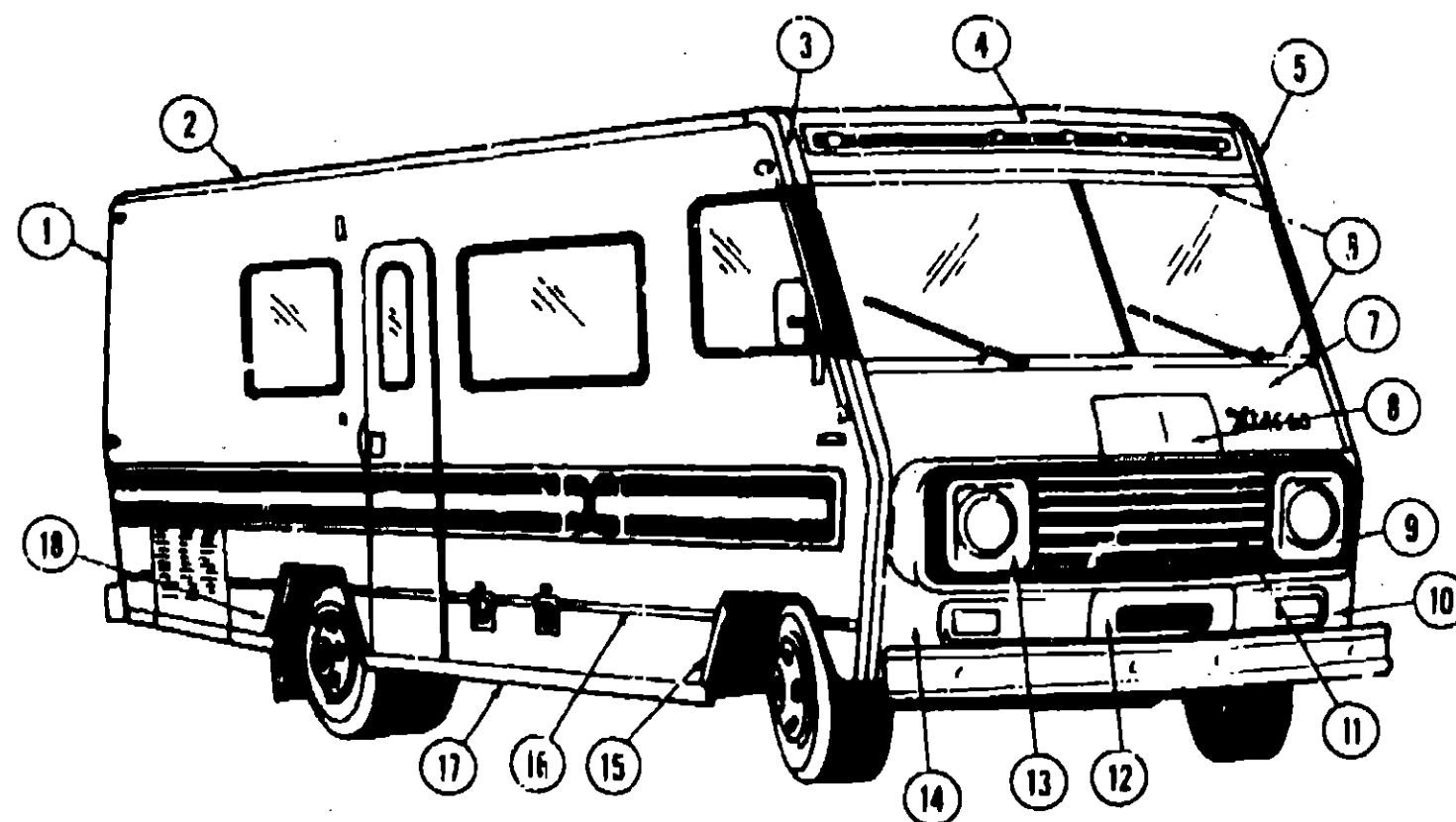
Introduction	A-1
Abbreviations	A-1
Alphabetical Index	A-2 - A-4
C25A	A-5 - B-20
C27AL	B-21 - D-10
C27A	D-11 - E-24
C25C	F-1 - G-12
C24C	G-13 - H-24
C22C	I-1 - J-12

## 1976 C25A INDEX

Floor Plan	A-5 - A-6
Accessories Group	A-7 - A-8
Bath Group	A-9 - A-10
Chassis Group	A-11
Curtain, Cushion & Pad Group	A-12 - A-15
Dinette Group	A-16
Driver's Compartment Group	A-17
Electrical Group	A-18 - A-19
Exterior Body Group	A-20 - A-23
Galley Group	A-24
Heating & Air Conditioning Group	B-1
Interior Finish Group	B-2 - B-3
LP Group	B-4
Lounge Group	B-5
Water & Sewage Group	B-6
Window, Vent & Exterior Door Group	B-7 - B-20



EXTERIOR BODY GROUP (CONTINUED)



1976 ITASCA  
TABLE OF CONTENTS

Introduction	A-1
Abbreviations	A-1
Alphabetical Index	A-2 - A-4
C25A	A-5 - B-20
C27AL	B-21 - D-10
C27A	D-11 - E-24
C25C	F-1 - G-12
C24C	G-13 - H-24
C22C	I-1 - J-12

Key	Part Number	U/M	Description
1	039884-01-000	EA	Trim - Contour - Right Rear - Off White
2	039884-02-000	EA	Trim - Contour - Left Rear - Off White
3	034922-03-000	EA	Trim - Sidewall - Upper - Left or Right - Off White
4	039963-01-000	EA	Trim - Contour - Right Front - Off White
5	040357-01-000	EA	Cap Asm. - Fiberglass - Over Windshield - Off White
6	039963-02-000	EA	Trim - Contour - Left Front - Off White
7	043988-02-000	EA	Trim - Windshield - 91" - Off White
8	046142-01-000	EA	Shroud - Front End - Upper - Off White
9	046145-01-000	EA	Door - Access - Front End - Off White Plastic
10	047336-01-000	EA	Catch - Magnetic (Access Door) Surface Mount
11	039815-01-000	EA	Holding Rod - Hood
12	046141-01-000	EA	Bezel - Headlamp - Plastic
13	046144-01-000	EA	Shroud - Front End - Lower Left - Off White
14	047196-01-000	EA	Grille Asm. - Front End - Alum. w/Orange Stripping Decals
15	046146-01-000	EA	Shroud - Front End Center - Off White
16	046140-01-000	EA	Bezel - Headlamp - Plastic - Right

Key	Part Number	U/M	Description
14	046143-01-000	EA	Shroud - Front End - Lower Right - Off White
15	035628-01-000	EA	Fastener - Blind Well Nut - Fiberglass to Chassis
16	039962-01-000	EA	Trim - Wheel Well - Front - Left or Right
17	002444-02-003	EA	Extr. - Feature Strip w/o Insert - Alum. - 16'
18	001030-02-002	EA	Insert - Feature Strip - Off White Alum. - 21'
	009731-01-000	EA	End Cap - Feature Strip
	036808-02-001	EA	Extr. - Anod. - Rocker Panel - 18'
	040632-01-000	EA	Plug - Rocker Panel - Mitered - Wheel Well Opening - Used for Left Side of All Wheel Well Openings
	040631-01-000	EA	Plug - Rocker Panel - Mitered - Wheel Well Opening - Used for Right Side of All Wheel Well Openings
	040420-01-000	EA	Plug - Rocker Panel End - Right
	040420-02-000	EA	Plug - Rocker Panel End - Left
18	039961-01-000	EA	Trim - Wheel Well Rear - Right or Left
	038494-04-000	EA	Trim - Windshield - Center - 31.42" - Black
	002365-02-001	EA	Extr. - Anod. U-Channel - 18" (Lower Backwall)
	044582-02-000	EA	Drip Cap - Over Entry Door - Off White
	009717-02-002	EA	Extr. - Drip Rail - Alum. - 19'
			Not Illustrated

1976 C25A  
INDEX

Floor Plan	A-5 - A-6
Accessories Group	A-7 - A-8
Bath Group	A-9 - A-10
Chassis Group	A-11
Curtain, Cushion & Pad Group	A-12 - A-15
Dinette Group	A-16
Driver's Compartment Group	A-17
Electrical Group	A-18 - A-19
Exterior Body Group	A-20 - A-23
Galley Group	A-24
Heating & Air Conditioning Group	B-1
Interior Finish Group	B-2 - B-3
LP Group	B-4
Lounge Group	B-5
Water & Sewage Group	B-6
Window, Vent & Exterior Door Group	B-7 - B-20

## EXTERIOR BODY GROUP (CONTINUED)

### SEALANTS, ADHESIVES AND FASTENERS

Key	Part Number	U/M	Description
	034552-05-000	EA	Sealant - Off White Silicone
	034552-04-000	EA	Sealant - Beige Silicone
	034552-02-000	EA	Sealant - Clear Silicone
	004348-02-000	EA	Sealant - Aluminum Silicone
	004349-01-000	EA	Sealant - Black Silicone
	004342-01-000	EA	Sealant - Weatherban 202 Tube
	004346-02-000	EA	Sealant - White Silicone
	004347-01-000	EA	Sealant - Tuflex
	002318-01-000	FT	Sealer Tape - 3/32" x 1/8"
	024545-01-000	FT	Sealer Tape - 1/8" x 5/8" - Black
	004350-01-000	FT	Sealer Tape - 1/8" x 1" - Formaseal
	004352-01-000	FT	Sealer Tape - 1/8" x 3/4" - Formaseal
	004355-01-000	FT	Sealer Tape - 1/8" x 5/8" - Black
	004357-01-000	FT	Sealer Tape - 1/8" x 5/8" - Adhesive
	002707-01-000	FT	Sealer Tape - 5/16" x 3/4" - Black Foam
	004363-01-000	FT	Sealer Tape - 3/16" x 1/2" - Foam
	004392-01-000	FT	Sealer Tape - 1/4" x 5/8" - Foam
	009200-01-000	EA	Tape - Furnace - 1 1/2"
	041839-01-000	FT	Tape - Window Latch - 3/4" - Adhesive
	041839-02-000	FT	Tape - Window Latch - 1/2" - Adhesive
	004353-01-000	FT	Tape - Gasket - 1/8" x 3/4" - White
	002825-01-000	FT	Weather Stripping - Roof Vent
	002337-01-000	EA	Adhesive - 3M - 1300 Tube
	004005-01-000	GL	Adhesive - Swifts - Green - Glue (Sidewalls)
	004012-01-000	EA	Adhesive - 3M - 4475 Tube
	004020-01-000	QT	Adhesive - ABS Cement (Plastic Fittings)
	029051-01-000	EA	Adhesive - Spray Vinyl
	042401-01-000	EA	Screw - 8 - 18 x 3/4" SDPH Beige
	042403-01-000	EA	Screw - SF/DR - 8 - 18 x 1" SDPH Beige

### MISCELLANEOUS EXTERNALLY MOUNTED PARTS

Key	Part Number	U/M	Description
	016253-06-000	EA	Fuel Fill - Recessed - Single - Off White
	010230-02-000	EA	Fill - City Water - Recessed - Off White
	011020-01-000	EA	Fill - Water - Recessed - Off White
	011124-01-000	EA	Plumbing Seal - Roof Vent - 1 1/4" White
	011129-01-000	EA	Plumbing Seal - Roof Vent - 1 1/2" White
	049347-01-000	EA	Mirror Head - 7 1/2" x 10 1/2" - Stainless Steel w/o Bracket
	049348-01-000	EA	Arm - Low Mount Mirror - Brite Finish
	049944-02-000	EA	Bracket - Mirror - Outside Off White - Mounts to Coach

## GALLEY GROUP

### GALLEY CABINETRY

Key	Part Number	U/M	Description
	046008-01-000	EA	Cabinet Asm. - Galley w/o Countertop, Drawers, Doors, Sink or Hardware
	046008-01-700	EA	Countertop - Galley Cabinet w/Cut Out - Rust (Fire and Grass)
	046008-02-700	EA	Countertop - Galley Cabinet w/Cut Out - Gold (Aztec Gold)
	046008-03-700	EA	Countertop - Galley Cabinet w/Cut Out - Beige (Saddle)
	042602-38-700	EA	Door Asm. - Galley Cabinet - 9.68" x 28" - Right or Left w/o Hardware
	042709-10-000	EA	Drawer Asm. - Galley Cabinet - 5.25" x 20.62" w/o Hardware
	027671-05-000	EA	Cover - Sink - Rust (Fire and Grass)
	027671-08-000	EA	Cover - Sink - Gold (Aztec Gold)
	027671-07-000	EA	Cover - Sink - Beige (Saddle)
	042602-41-700	EA	Door Asm. - Refrigerator Cabinet - 22.25" x 17.50" w/o Hardware
	049004-01-000	EA	Cabinet Asm. - Galley Overhead - w/o Doors or Hardware
	042600-07-700	EA	Door Asm. - Galley Overhead - 21.56" x 10" w/o Hardware
	040435-02-000	EA	Galley Extension - Rust (Fire and Grass)
	040435-03-000	EA	Galley Extension - Gold (Aztec Gold)
	040435-08-000	EA	Galley Extension - Beige (Saddle)

### GALLEY HARDWARE

Key	Part Number	U/M	Description
	011032-01-000	EA	Sink - Stainless Steel - Double w/Bolts
	011053-01-000	EA	Faucet - 8" Swing Spout
	011053-01-700	EA	Aerator - Swing Spout Faucet
	011085-01-000	EA	Strainer - Sink
	008091-01-000	EA	Tray - Cutlery - Gold
	009049-01-000	EA	Support - Galley Extension
	009059-01-000	EA	Hinge - 2" - Gold

### GALLEY APPLIANCES

Key	Part Number	U/M	Description
**	034542-01-000	EA	Refrigerator - Winnebago - Two Door - W3EG
**	034544-01-000	EA	Refrigerator - Winnebago - Two Door - W7EG
**	034545-01-000	EA	Refrigerator - Winnebago - One Door - W6EG
**	003336-01-000	EA	Refrigerator - Dometic - One Door - RM66
**	003337-01-000	EA	Refrigerator - Dometic - Two Door - RM76
**	003016-01-000	EA	Range - Coleman Eyelevel - 2209C
**	046747-01-000	EA	Range - Coleman Eyelevel - 2209F
*	024669-01-000	EA	Hood - Range - Eyelevel Oven - Strawsine
*	024669-01-700	EA	Filter - Range Hood - Eyelevel Oven - Strawsine
*	Not Illustrated		

\*\*The illustrated parts breakdown for this item is provided on the Common Items Fiche.

## 1976 ITASCA TABLE OF CONTENTS

Introduction	A-1
Abbreviations	A-1
Alphabetical Index	A-2 - A-4
C25A	A-5 - B-20
C27AL	B-21 - D-10
C27A	D-11 - E-24
C25C	F-1 - G-12
C24C	G-13 - H-24
C22C	I-1 - J-12

## 1976 C25A INDEX

Floor Plan	A-5 - A-6
Accessories Group	A-7 - A-8
Bath Group	A-9 - A-10
Chassis Group	A-11
Curtain, Cushion & Pad Group	A-12 - A-15
Dinette Group	A-16
Driver's Compartment Group	A-17
Electrical Group	A-18 - A-19
Exterior Body Group	A-20 - A-23
Galley Group	A-24
Heating & Air Conditioning Group	B-1
Interior Finish Group	B-2 - B-3
LP Group	B-4
Lounge Group	B-5
Water & Sewage Group	B-6
Window, Vent & Exterior Door Group	B-7 - B-20

## HEATING AND AIR CONDITIONING GROUP

Key	Part Number	U/M	Description
	048230-01-000	EA	Kit - Auto Air - 350 C.I.D. - Evans
	048230-02-000	EA	Kit - Auto Air - 350 C.I.D. - Winnebago
	048232-01-000	EA	Kit - Auto Air - 454 - C.I.D. - Evans
	048232-02-000	EA	Kit - Auto Air - 454 - C.I.D. - Winnebago
	033932-01-000	EA	Valve - Expansion
	033938-01-000	EA	Core - Heater
	035459-01-701	EA	Blower Asm. - 3 Speed w/Motor
	033926-01-000	EA	Cold Control
	035459-01-704	EA	Resistor - Evans Heater
	048217-01-000	EA	Switch - 3 Speed Evans - Fan
	007076-01-000	FT	Hose - Flex - 2" Diameter
	007108-01-000	FT	Hose - Heater - 5/8" Diameter
	007139-01-000	EA	Clamp - Hose 5/8" - 1 1/16" Diameter
	007140-01-000	EA	Clamp - Hose - 2" - 3" Diameter
	007281-01-000	FT	Hose - Flex - 2 1/2" Diameter
	024985-01-000	EA	Register - Heat - w/Damper - 9.9" x 4.8"
	039505-02-000	EA	Thermostat - Horizontal Wall Mount - Black
	009198-01-000	EA	Duct - Flexible - 4" I.D. x 25'
	009200-01-000	EA	Tape - Furnace - 1 1/2"
	031604-01-000	EA	Bonnet - Heat Register
**	041604-01-000	EA	Furnace - Coleman - 28,000 B.T.U. - 4230
**	041605-01-000	EA	Furnace - Coleman - 31,000 B.T.U. - 4235
**	003119-01-000	EA	Furnace - Suburban - 16,000 B.T.U. - NT16
**	003126-01-000	EA	Air Conditioner Asm. - Roof Mount - 10,000 BTU Mach I - Coleman w/o Inside Shroud
**	031880-01-000	EA	Air Conditioner Asm. - Roof Mount - 13,500 BTU Mach III - Coleman w/o Inside Shroud
**	049777-01-000	EA	Air Conditioner - Roof Mount - Ivory - 11,000 BTU Coleman - w/o Inside Shroud
**	049774-01-000	EA	Air Conditioner - Roof Mount - Ivory - 13,500 BTU Coleman - w/o Inside Shroud
**	049778-01-000	EA	Shroud Asm. - Air Conditioner - Inside Ceiling - Cool Only - 11,000 BTU - Ivory
**	049775-01-000	EA	Shroud Asm. - Air Conditioner - Inside Ceiling - Cool Only - 13,500 BTU - Ivory
**	049776-01-000	EA	Shroud Asm. - Air Conditioner - Inside Ceiling - Heat and Cool - 13,500 BTU - Ivory

\*\*The illustrated parts breakdown for this item is provided on the Common Items Fiche.

## INTERIOR FINISH GROUP

### PANELING AND COUNTERTOP MATERIALS

Key	Part Number	U/M	Description
	000720-02-000	SF	Veneer - White Stucco
	039188-01-000	SF	Paneling - 707 Hickory - 48" x 96" (32SF)
	045963-01-000	SF	Paneling - 825 Buff - 48" x 96" (32SF)
	000726-06-000	EA	Batt Strip - 707 Hickory
	047354-01-000	EA	Batt Strip - 825 Buff
	000724-01-000	EA	Batt Strip - White Stucco - 8'
	041205-07-000	SF	Plastic Laminate - 48" x 96" - Rust Leather (Fire and Grass)
	041205-07-001	EA	Plastic Laminate - 48" x 48" - Rust Leather (Fire and Grass)
	041205-07-002	EA	Plastic Laminate - 1.19" x 96" - Rust Leather (Fire and Grass)
	041205-08-000	SF	Plastic Laminate - 48" x 96" - Gold Leather (Aztec Gold)
	041205-08-001	EA	Plastic Laminate - 48" x 48" - Gold Leather (Aztec Gold)
	041205-08-002	EA	Plastic Laminate - 1.19" x 96" - Gold Leather (Aztec Gold)
	041205-09-000	SF	Plastic Laminate - 48" x 96" - Beige Leather (Saddle)
	041205-09-001	EA	Plastic Laminate - 48" x 48" - Beige Leather (Saddle)
	041205-09-002	EA	Plastic Laminate - 1.19" x 96" - Beige Leather (Saddle)
	041206-01-000	SF	Tileboard - 60" x 84" - Agate Beige

### FABRICS AND CARPET

Key	Part Number	U/M	Description
	041210-03-000	SY	Carpet - Orange Morning Dew - Rust (Fire and Grass)
	043635-01-000	SY	Carpet - Coffee Brown Morning Dew - Gold (Aztec Gold)
	043635-02-000	SY	Carpet - Beige Morning Dew - Beige (Saddle)
	043618-01-000	YD	Fabric - Upholstery - Rust (Fire and Grass)
	043618-02-000	YD	Fabric - Upholstery - Gold (Aztec Gold)
	043618-03-000	YD	Fabric - Upholstery - Beige (Saddle)
	043619-01-000	YD	Fabric - Drapery - Rust (Fire and Grass)
	043619-02-000	YD	Fabric - Drapery - Gold (Aztec Gold)
	043619-03-000	YD	Fabric - Drapery - Beige (Saddle)
	042411-01-000	YD	Vinyl - Non-Expanded - 27 Ounce - Bostonian Brown
	042411-02-000	YD	Vinyl - Expanded - 28 Ounce - Bostonian Brown
	042411-03-000	YD	Vinyl - Non Support - 16 Gauge - Bostonian Brown

### INTERIOR MOLDINGS AND TRIM

Key	Part Number	U/M	Description
	024700-03-000	EA	Cover - Sidewall Roll Bar - White
	024700-04-000	EA	Cover - Sidewall Roll Bar - 707 Hickory
	024700-06-000	EA	Cover - Sidewall Roll Bar - Ivory
	039512-01-000	EA	Cover - Hat Section - White
	039512-02-000	EA	Cover - Hat Section - 707 Hickory
	039512-06-000	EA	Cover - Hat Section - Ivory
	040025-01-000	EA	Cover - Corner - Hat Section/Hat Section
	040026-01-000	EA	Cover - Corner - Hat Section/Tube
	033535-03-000	FT	Molding Asm. - Shelf - 707 Hickory
	009812-03-000	FT	Molding - Plastic - Corner Outside .5"
	009767-01-000	FT	Wetting - Brown
	009815-02-000	FT	T-Molding - 3/4" Brown
	009778-01-000	FT	U-Channel - 1" - Dark Brown
	009779-01-000	FT	U-Channel - 1 1/8" - Dark Brown

## 1976 ITASCA TABLE OF CONTENTS

Introduction	A-1
Abbreviations	A-1
Alphabetical Index	A-2 - A-4
C25A	A-5 - B-20
C27AL	B-21 - D-10
C27A	D-11 - E-24
C25C	F-1 - G-12
C24C	G-13 - H-24
C22C	I-1 - J-12

## 1976 C25A INDEX

Floor Plan	A-5 - A-6
Accessories Group	A-7 - A-8
Bath Group	A-9 - A-10
Chassis Group	A-11
Curtain, Cushion & Pad Group	A-12 - A-15
Dinette Group	A-16
Driver's Compartment Group	A-17
Electrical Group	A-18 - A-19
Exterior Body Group	A-20 - A-23
Galley Group	A-24
Heating & Air Conditioning Group	B-1
Interior Finish Group	B-2 - B-3
LP Group	B-4
Lounge Group	B-5
Water & Sewage Group	B-6
Window, Vent & Exterior Door Group	B-7 - B-20

# INTERIOR FINISH GROUP (CONTINUED)

## CURTAIN HARDWARE

Key	Part Number	U/M	Description
	052327-04-236	EA	Curtain Track - Brown Alum. - 89" w/Holes
	018031-42-000	EA	Curtain Track - "L" Rod - 90" Alum.
	009220-01-000	EA	Rod - Curtain - Flat - Extends 18" - 28"
	009223-01-002	EA	Rod - Curtain - Flat - Extends 32" - 51"
	009223-02-000	EA	Rod - Curtain - Flat - Extends 48" - 84"
	042439-01-000	EA	Bracket - Curtain Rod - Single
	035426-06-000	EA	Track - Wraparound Curtain - Left
	035426-07-000	EA	Track - Wraparound Curtain - Right
	009107-01-000	EA	Guide - Nylon Snap
	029100-01-000	EA	Hook - Pin - Curtain
	009701-01-000	EA	Carrier - Curtain - "L" Rod
	009702-01-000	EA	End Stop - Curtain - "L" Rod

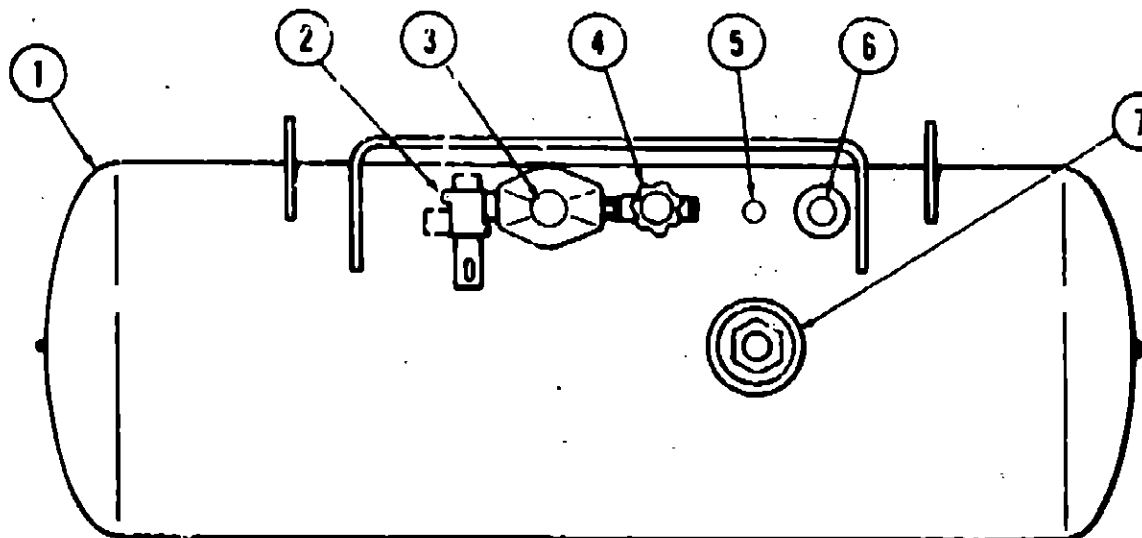
## CABINETS AND TABLE HARDWARE

Key	Part Number	U/M	Description
	047842-01-000	EA	Kit - Hardware - Dinette Table Leg
	047809-02-000	EA	Kit - Hardware - Dinette Table Wall Mount
	041884-01-000	EA	Hinge - 1 1/2" x 16" w/Holes - Folding Table Option
	049654-01-000	EA	Kit - Pull Asm. - Lower Door
	049655-01-000	EA	Kit - Knob Asm. - Upper Door
	009047-01-000	EA	Support - Overhead Door
	041931-01-000	EA	Kit - Cabinet Door Hinge
	041917-01-000	EA	Kit - Cabinet Door Upper
	047744-01-000	EA	Kit - Drawer Glide
	037888-01-000	FT	Rail - Drawer Glide - V
	009151-01-000	EA	Warp Guard - 48"
	009112-01-000	EA	Flange - 1" Rod - Chrome - Wardrobe
	024283-01-000	EA	Clip - 1" - 1.125" O.D. Tube - Black
	009049-01-000	EA	Table Support - Drop Leaf - Galley Extension
	009059-01-000	EA	Hinge - 2" - Gold - Galley Extension

## MISCELLANEOUS PARTS

Key	Part Number	U/M	Description
	040069-01-000	EA	Mat - Door - Black Rubber - 10 1/2" x 26" - Itasca
	034689-03-000	EA	Cover - Screw - PPH - 10 - Ivory
	042414-01-000	FT	Trim - Accent - Brown Bostonian
	041944-01-700	EA	Extinguisher - Fire - w/Bracket - Dry Chemical

# LP GROUP



Key	Part Number	U/M	Description
1	040421-01-000	EA	Tank - LP - Frame Mount - 83 Pound
2	047221-01-000	EA	Detector - LP Gas Leak
3	024712-01-000	EA	Cover - LP Regulator
4	052163-01-000	EA	Regulator - Manual - LP Gas - 2 Stage
5	040421-01-703	EA	Valve - Vapor Relief
6	040421-01-700	EA	Gauge - Liquid Level - 20% LP
7	040421-01-701	EA	Valve - Filler - LP
	040421-01-702	EA	Cap - Plastic Fill Valve
	040421-01-707	EA	Gauge - Float w/Visible Dial
	040421-01-704	EA	Gauge - Float w/Electrical Transmitter Dial
	040421-01-706	EA	Dial - Visible Face
	040421-01-705	EA	Dial - Transmitter - 0 - 90 Ohm
	045703-03-000	EA	Hose Asm. - LP - 3/8" I.D. x 14"
	047737-02-000	EA	Support - LP - 89.25
	047737-03-000	EA	Support - LP Tank - 30.50"
			Not Illustrated

## 1976 ITASCA TABLE OF CONTENTS

Introduction	A-1
Abbreviations	A-1
Alphabetical Index	A-2 - A-4
C25A	A-5 - B-20
C27AL	B-21 - D-10
C27A	D-11 - E-24
C25C	F-1 - G-12
C24C	G-13 - H-24
C22C	I-1 - J-12

## 1976 C25A INDEX

Floor Plan	A-5 - A-6
Accessories Group	A-7 - A-8
Bath Group	A-9 - A-10
Chassis Group	A-11
Curtain, Cushion & Pad Group	A-12 - A-15
Dinette Group	A-16
Driver's Compartment Group	A-17
Electrical Group	A-18 - A-19
Exterior Body Group	A-20 - A-23
Galley Group	A-24
Heating & Air Conditioning Group	B-1
Interior Finish Group	B-2 - B-3
LP Group	B-4
Lounge Group	B-5
Water & Sewage Group	B-6
Window, Vent & Exterior Door Group	B-7 - B-20

## LOUNGE GROUP

Key	Part Number	U/M	Description
	045986-01-700	EA	Cabinet - Gaucho Base w/o Slider
	042091-01-000	EA	Leg Asm. - Gaucho
	042600-07-700	EA	Door Asm. - Cabinet Overhead - 21.56" x 10" w/o Hardware
	042600-08-700	EA	Door Asm. - Cabinet Overhead - 18.88" x 10" w/o Hardware
	007019-01-000	EA	Belt Asm. - Seat - 2" x 84" - Black
	041322-01-000	EA	Washer - Flat - 15/32" I.D. x 2 3/8" O.D.
	042602-40-700	EA	Door Asm. - Wardrobe Cabinet - 44 1/2" x 10 3/8" w/o Hardware
	042709-09-000	EA	Drawer Asm. - Wardrobe Cabinet - 6.38" x 10.38" w/o Hardware
	045861-01-000	EA	Cabinet Asm. - Overhead Rear Lounge w/o Doors or Hardware

## WATER AND SEWAGE GROUP

### PLUMBING REPAIR PARTS AND WATER HEATERS

Key	Part Number	U/M	Description
	040539-01-000	EA	Kit - Repair - 3/8" O.D. Plastic Tube
	040540-01-000	EA	Kit - Repair - 1/2" O.D. Plastic Tube
	040541-01-000	EA	Kit - Repair - 5/8" O.D. Plastic Tube
	041279-02-000	EA	Pump - Water Flow 2.8 G.P.M. - PAR
	039647-02-000	EA	Filter - Water Pump 1/2" MPT
	039609-01-000	EA	Valve - Stool - Plastic 3/8" x 1/2" FPT
	039618-01-000	EA	Riser Asm. - 3/8" O.D. x 24" Tube
	039618-02-000	EA	Riser Asm. - 3/8" O.D. x 36" Tube
	039618-04-000	EA	Riser Asm. - 3/8" O.D. x 72" Tube
	039618-05-000	EA	Riser Asm. - 3/8" O.D. x 48" Tube
	041819-01-000	EA	Nut and Cone - Plastic 1/2" O.D. Tube
	046128-01-000	EA	Valve - Drain - Plastic 1/2" FPT
	039607-01-000	EA	Valve - Drain - Brass - 1/2" MPT
	007137-01-000	EA	Clamp - Worm Gear - 1 5/16" - 2 1/4"
	007161-01-000	EA	Clamp - Spring Type - 1 1/2"
	011091-01-000	EA	Waste - Continuous - Double Sink 11 7/8"
	011066-01-000	EA	P-Trap - Plastic - 1 1/4"
	010205-01-000	EA	Valve - Sanitary Thetford 3XB
	047246-01-000	EA	Handle - Extension - Sewer Valve 43"
	047247-01-000	EA	Handle - Extension - Sewer Valve 19"
	050780-01-000	EA	Coupler - Rubber 3" Dia. x 3"
	046524-01-000	EA	Kit - Plastic Fittings - Holding Tank
	046524-02-000	EA	Kit - Plastic Fittings - Water Tank (For use with blank water tank or tank repairs)
	004020-01-000	QT	Adhesive - ABS Cement
	010201-01-000	EA	Hose - Sewer 3" x 10 Ft. w/Clamp
	010235-01-000	EA	Cap - Sewage 3"
	010236-01-000	EA	Adapter - Hose 3" Sewage
	010234-01-000	EA	Adapter - Bayonet
	050780-01-000	EA	Coupler - Rubber - 3" x 3"
	037845-01-000	EA	Tape - Butyl - 3/16" Bead - Black
**	031992-01-000	EA	Water Heater - 6 Gallon - w/Motor Aid - Atwood - GH6
**	051392-01-000	EA	Water Heater - 3 Gallon w/Motor Aid - Atwood - GH63
**	031952-01-000	EA	Water Heater - 6 Gallon - Atwood - G6A2

\*\*The illustrated parts breakdown for this item is provided on the Common Items Fiche.

### WATER AND SEWAGE TANKS

Key	Part Number	U/M	Description
	046130-01-000	EA	Tank Asm. - Water - 64 Gallon w/Fittings
	046768-01-000	EA	Tank - Water - 64 Gallon w/o Fittings
	014903-05-000	EA	Tank Asm. - Holding - 35 Gallon w/Fittings
	014903-01-000	EA	Tank - Holding - 35 Gallon w/o Fittings
	039938-03-000	EA	Tank Asm. - Holding - 22 Gallon w/Fittings
	039938-01-000	EA	Tank - Holding - 22 Gallon w/o Fittings

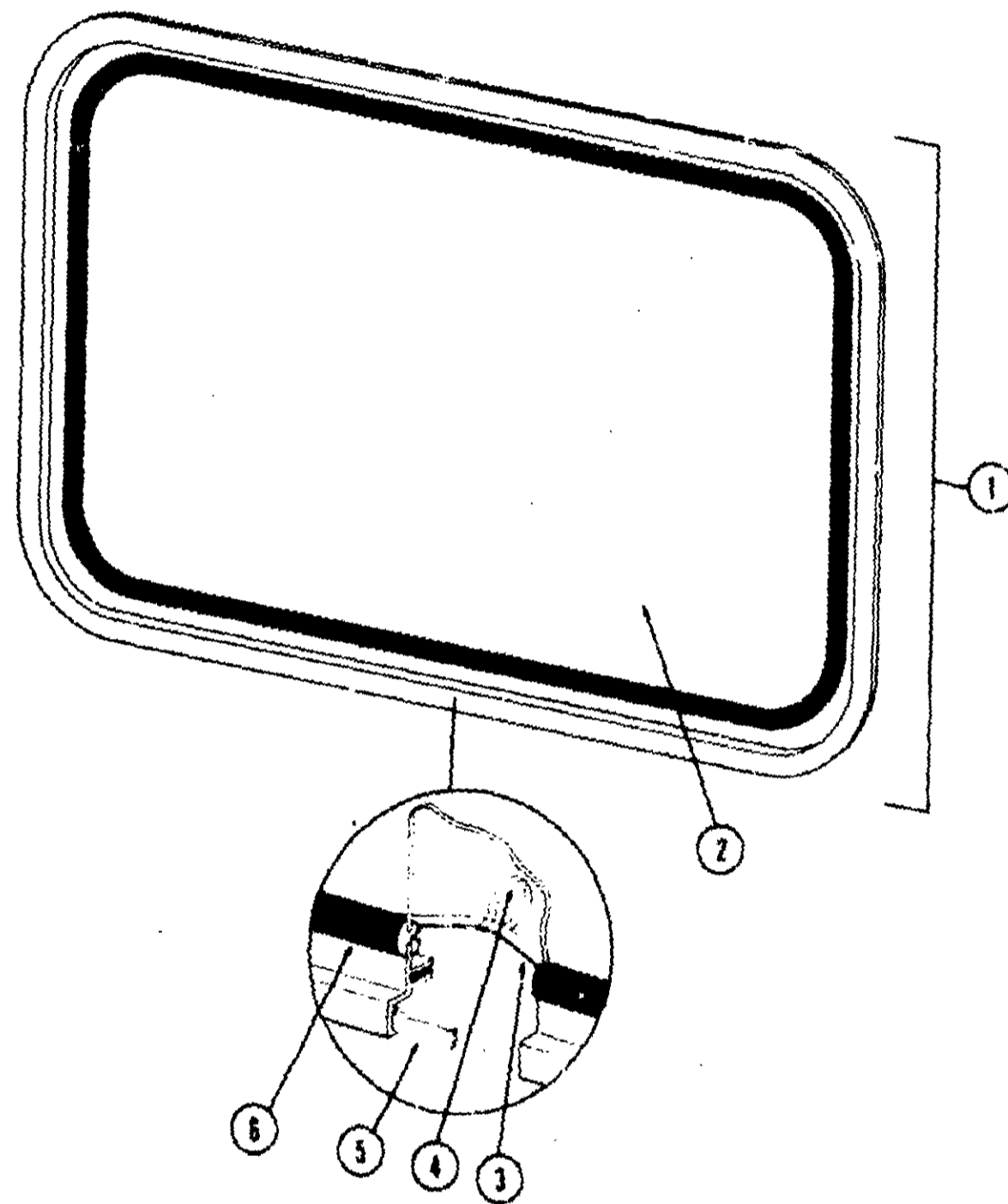
## 1976 ITASCA TABLE OF CONTENTS

Introduction	A-1
Abbreviations	A-1
Alphabetical Index	A-2 - A-4
C25A	A-5 - B-20
C27AL	B-21 - D-10
C27A	D-11 - E-24
C25C	F-1 - G-12
C24C	G-13 - H-24
C22C	I-1 - J-12

## 1976 C25A INDEX

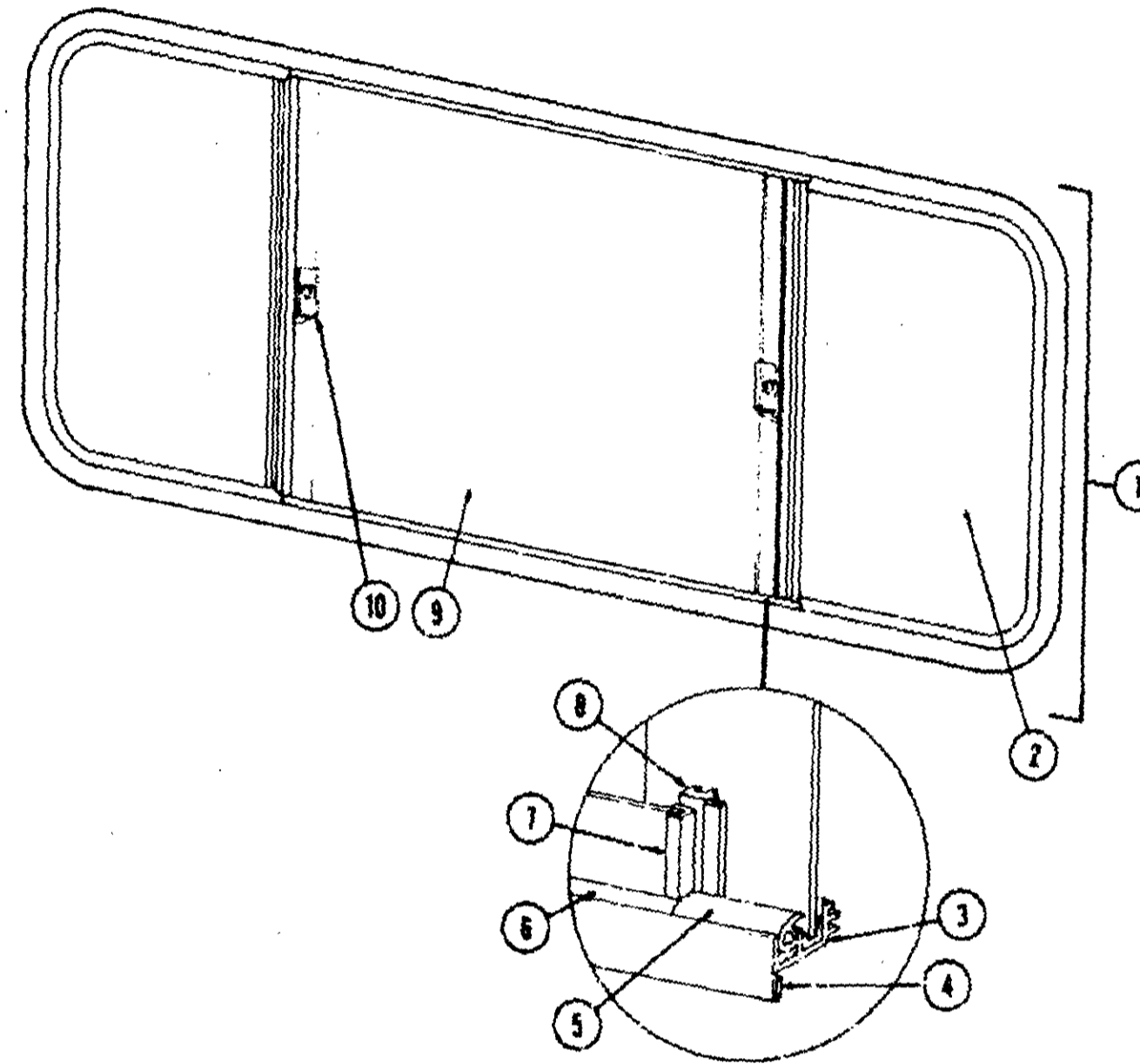
Floor Plan	A-5 - A-6
Accessories Group	A-7 - A-8
Bath Group	A-9 - A-10
Chassis Group	A-11
Curtain, Cushion & Pad Group	A-12 - A-15
Dinette Group	A-16
Driver's Compartment Group	A-17
Electrical Group	A-18 - A-19
Exterior Body Group	A-20 - A-23
Galley Group	A-24
Heating & Air Conditioning Group	B-1
Interior Finish Group	B-2 - B-3
LP Group	B-4
Lounge Group	B-5
Water & Sewage Group	B-6
Window, Vent & Exterior Door Group	B-7 - B-20

**WINDOW, VENT AND EXTERIOR DOOR GROUP**



Key	Part Number	U/M	Description
1	020751-03-000	EA	Window Asm. - Rear Escape - 23" x 29" Black Anod. w/o Inside Frame
2	002174-01-000	EA	Glass - Window - 1/8" x 19.81" x 25.92"
3	002285-01-000	FT	Filler - Weatherstrip - Black
4	020395-01-000	EA	Slip Ring - Escape Window
5	004363-01-000	FT	Tape - Foam - 3/16" x 1/2" - Gray
6	002282-01-000	FT	Weatherstrip - .125" - Black
	020749-03-000	EA	Frame - Escape Window - Inside - 23" x 29" (Not Included in Window Assembly)
	006199-01-000	EA	Label - Exit - Escape Window
			Not Illustrated

**WINDOW, VENT AND EXTERIOR DOOR GROUP (CONTINUED)**



Key	Part Number	U/M	Description
1	048830-08-000	EA	Window Asm. - Double Slider - 25" x 65" - Black Anod. w/Plastic Latch - w/o Inside Frame
2	047822-01-000	EA	Glass - 3/16" x 24" x 21.028" - Sliding w/Holes (Used w/Plastic Latch)
	002187-02-000	EA	Glass - 3/16" x 24" x 21.028" - Sliding w/o Holes (Used w/Aluminum Latch)
3	042077-01-000	FT	Channel - Weathersrip - Glass Run - 3/16" Glass
4	004036 1-0-00	FT	Tape - Foam - 3/16" x 1/2" - Gray
5	041982-01-000	FT	Seal - Window Channel - 3/16" - Used w/ Plastic Latch
	002283-02-000	FT	Seal - Window Channel - 3/16" - Used w/Aluminum Latch
6	050216-02-000	FT	Spline - Glass - 3/16" - Black
7	002389-03-203	EA	Holder - Glass Seal - Black Anod.
8	041894-04-000	EA	Mullion - Slider Window - 25" - Used w/Plastic Latch
	018014-05-000	EA	Mullion - Slider Window - Used w/ Aluminum Latch
9	002186-02-000	EA	Glass - 3/16" x 24" x 25" - Stationary
10	047389-01-700	EA	Latch Asm. - Window - Plastic w/Fastener
	023275-01-000	EA	Latch Asm. - Window - Aluminum
	041839-01-000	FT	Tape - Foam - Aluminum Window Latch
	002298-01-000	FT	Spline - Screen - 130" Dia. - Gray
	002293-01-000	SF	Screen - Window - 28" - Gray
	023713-02-000	EA	Cover - Weephole - Black - Plastic
	042135-04-000	EA	Frame - Window - Inside - 25" x 65" - Used w/Plastic Latch
	035277-04-000	EA	Frame - Window - Inside - 25" x 65" - Used w/Aluminum Latch
			Not Illustrated

B-7

**1976 ITASCA  
TABLE OF CONTENTS**

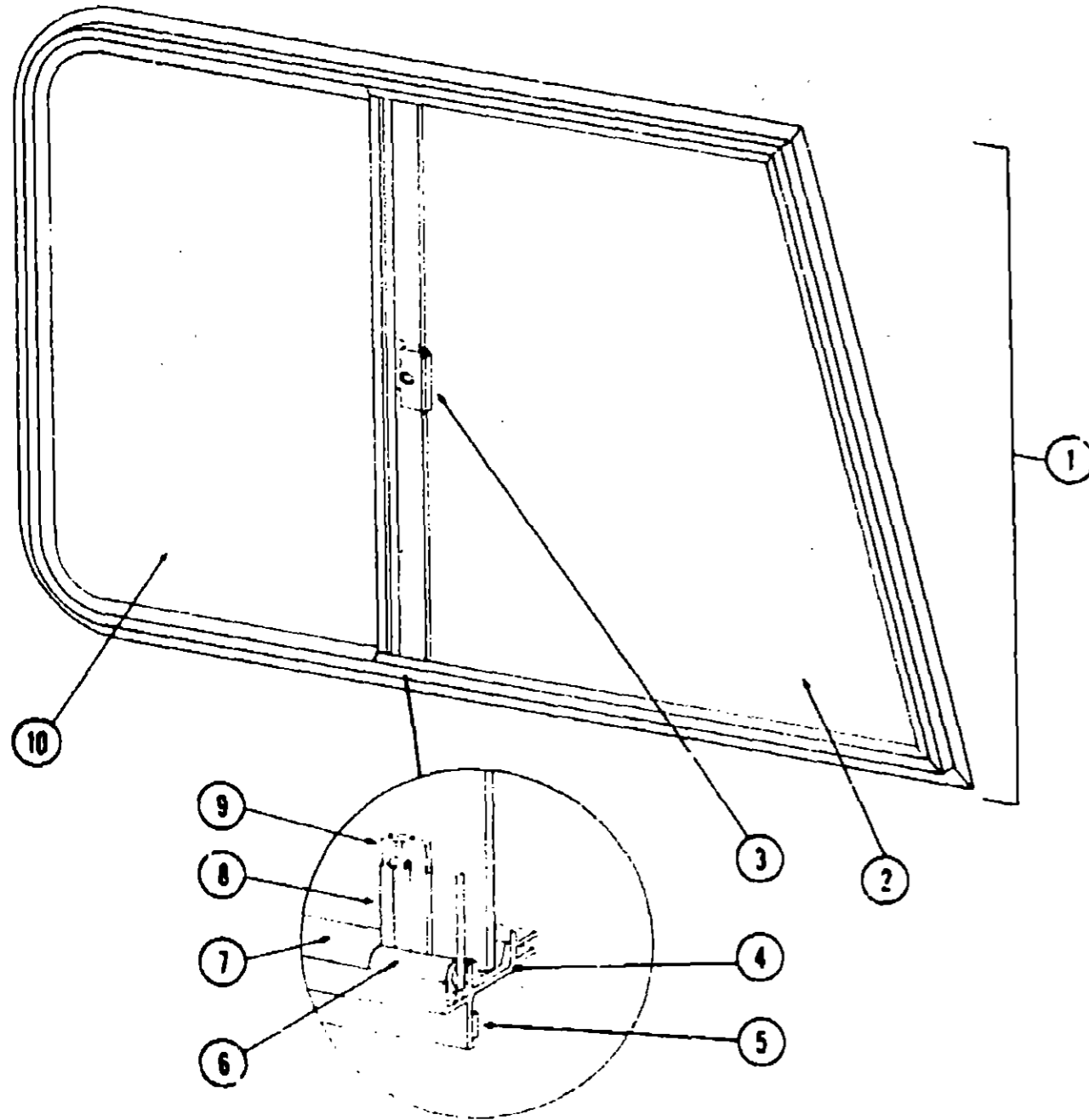
Introduction	A-1
Abbreviations	A-1
Alphabetical Index	A-2 - A-4
C25A	A-5 - B-20
C27AL	B-21 - D-10
C27A	D-11 - E-24
C25C	F-1 - G-12
C24C	G-13 - H-24
C22C	I-1 - J-12

**1976 C25A  
INDEX**

Floor Plan	A-5 - A-6
Accessories Group	A-7 - A-8
Bath Group	A-9 - A-10
Chassis Group	A-11
Curtain, Cushion & Pad Group	A-12 - A-15
Dinette Group	A-16
Driver's Compartment Group	A-17
Electrical Group	A-18 - A-19
Exterior Body Group	A-20 - A-23
Galley Group	A-24
Heating & Air Conditioning Group	B-1
Interior Finish Group	B-2 - B-3
LP Group	B-4
Lounge Group	B-5
Water & Sewage Group	B-6
Window, Vent & Exterior Door Group	B-7 - B-20

B-8

## WINDOW, VENT AND EXTERIOR DOOR GROUP (CONTINUED)



Key	Part Number	U/M	Description
1	048628-08-000	EA	Window Asm. - Left - Front Slanted Slider - 25" x 38" Black Anod. w/Plastic Latch (w/o Inside Frame)
	048628-07-000	EA	Window Asm. - Right - Front Slanted Slider - 25" x 36" Black Anod. w/Plastic Latch (w/o Inside Frame)
2	039190-01-000	EA	Glass - 3/16" x 24" x 14.12" x 25" - Stationary
3	047369-01-700	EA	Latch Asm. - Plastic w/Fastener
	023275-01-000	EA	Latch Asm. - Aluminum
4	042077-01-000	FT	Weatherstrip - Channel - Glass Run - 3/16" - Glass
5	004363-01-000	FT	Tape - Foam - 3/16" x 1/2" - Gray
6	050216-02-000	FT	Spline - 3/16" Glass - Black (Window w/Plastic Latch)
	002318-02-000	FT	Spline - Glass 3/16" - Black (Window w/Aluminum Latch)
7	041182-01-000	FT	Seal - Window Channel - Black (Window w/Plastic Latch)
	002283-02-000	FT	Seal - Window Channel - Black (Window w/Aluminum Latch)
8	002389-03-201	EA	Holder - Glass Seal - Black
9	041894-01-000	EA	Mullion - Slider Window - 25" - Black Anod. (Window w/Plastic Latch)
	037868-04-000	EA	Mullion - Slider Window - 25" - Black Anod. (Window w/Aluminum Latch)
10	047618-01-000	EA	Glass - 3/16" x 24" x 15" - Sliding (Window w/Plastic Latch)
	039189-01-000	EA	Glass - 3/16" x 24" x 15" - Sliding (Window w/Aluminum Latch)
	049162-06-000	EA	Frame - Window - Inside - 25" x 38" - Right (Window w/Plastic Latch)
	049162-05-000	EA	Frame - Window - Inside - 25" x 38" - Left (Window w/Plastic Latch)
	037906-01-000	EA	Frame - Window - Inside - 25" x 38" - Right (Window w/Aluminum Latch)
	037906-02-000	EA	Frame - Window - Inside - 25" x 38" - Left (Window w/Aluminum Latch)
	023713-02-000	EA	Cover - Weephole - Black Plastic
			Not Illustrated

### 1976 ITASCA TABLE OF CONTENTS

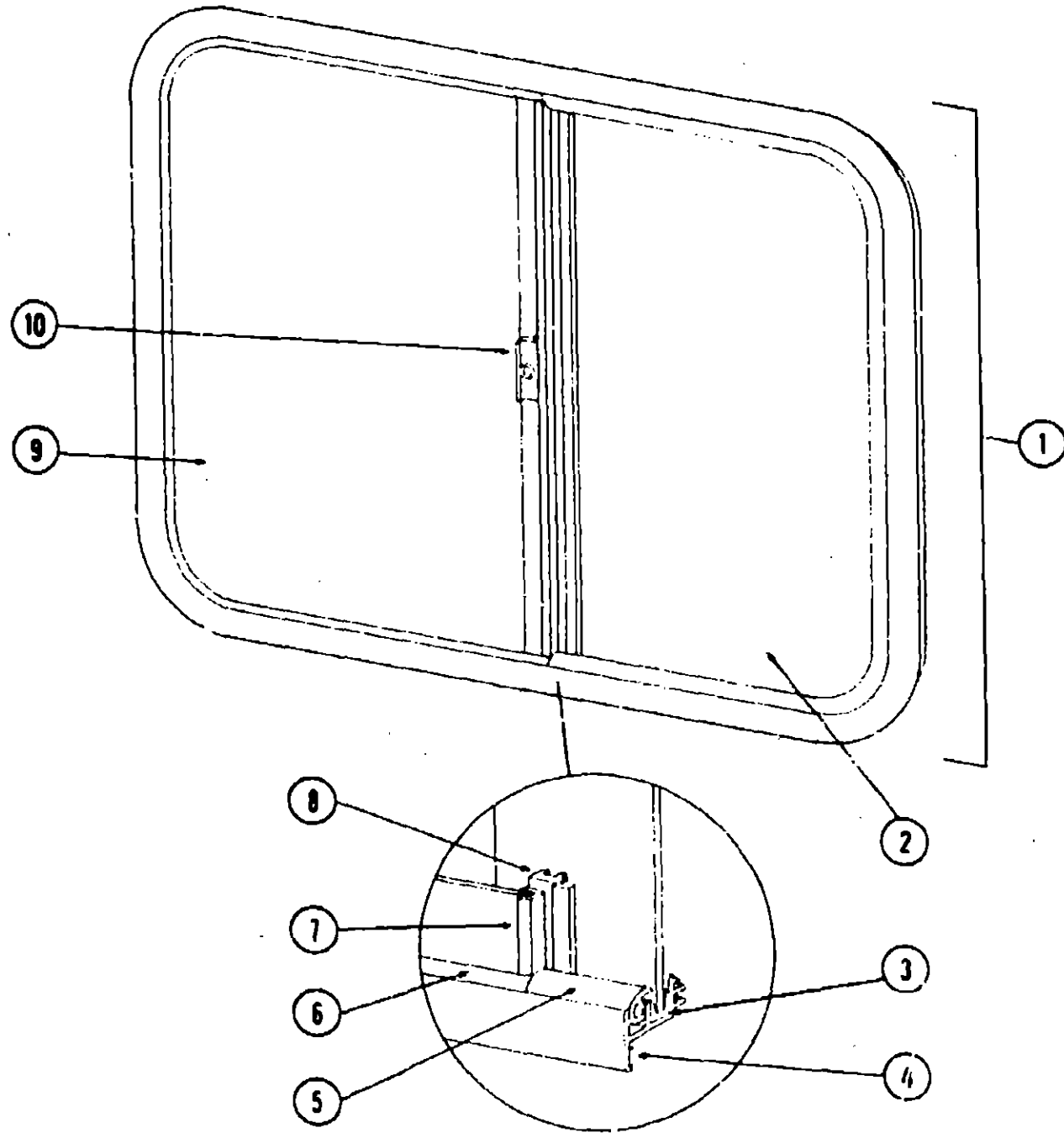
Introduction	A-1
Abbreviations	A-1
Alphabetical Index	A-2 - A-4
C25A	A-5 - B-20
C27AL	B-21 - D-10
C27A	D-11 - E-24
C25C	F-1 - G-12
C24C	G-13 - H-24
C22C	I-1 - J-12

### 1976 C25A INDEX

Floor Plan	A-5 - A-6
Accessories Group	A-7 - A-8
Bath Group	A-9 - A-10
Chassis Group	A-11
Curtain, Cushion & Pad Group	A-12 - A-15
Dinette Group	A-16
Driver's Compartment Group	A-17
Electrical Group	A-18 - A-19
Exterior Body Group	A-20 - A-23
Galley Group	A-24
Heating & Air Conditioning Group	B-1
Interior Finish Group	B-2 - B-3
LP Group	B-4
Lounge Group	B-5
Water & Sewage Group	B-6
Window, Vent & Exterior Door Group	B-7 - B-20

## WINDOW, VENT AND EXTERIOR DOOR GROUP (CONTINUED)

Key	Part Number	U/M	Description
1	048631-19-000	EA	Window Asm. - Right Single Slider - 25" x 44" Black Anod. (w/o Inside Frame)
•	048631-20-000	EA	Window Asm. - Left Single Slider - 25" x 44" Black Anod. (w/o Inside Frame)
2	002187-02-000	EA	Glass - 3/16" x 24" x 21.028" - Sliding w/o Holes Used w/Aluminum Latch
	047822-01-000	EA	Glass - 3/16" x 24" x 21.028" - Sliding w/Holes Used w/Plastic Latch
3	042077-01-000	FT	Channel - Weatherstrip - Glass Run
4	004363-01-000	FT	Tape - Foam - 3/16" x 1/2" - Gray
5	002283-02-000	FT	Seal - Window Channel - Window w/Aluminum Latch
	041962-01-000	FT	Seal - Window Channel - Window w/Plastic Latch
6	002309-02-000	FT	Spline - Glass - 1/8" - Black
7	018025-03-000	EA	Holder - Glass Seal - Anod. - Black
8	018014-05-000	EA	Mullion - Slider Window - Used w/Aluminum Latch
	041894-04-000	EA	Mullion - Slider Window - Used w/Plastic Latch
9	002183-02-000	EA	Glass - 3/16" x 24" x 23.491" - Stationary
10	047369-01-700	EA	Latch Asm. - Plastic
•	023275-01-000	EA	Latch Asm. - Aluminum
•	042147-04-000	EA	Inside Frame - 25" x 44" - Brown - Window w/Plastic Latch - Not Included in Asm.
•	035275-04-000	EA	Inside Frame - 25" x 44" - Brown - Window w/Aluminum Latch - Not Included in Asm.
•	023713-02-000	EA	Cover - Weephole - Black - Plastic
•	041839-01-000	FT	Tape - Foam - Aluminum Window Latch
•	002298-01-000	FT	Spline - Screen - .130" Dia. - Gray
•	002293-01-000	SF	Screen - Window - 26" - Gray
•			Not Illustrated



### 1976 ITASCA TABLE OF CONTENTS

Introduction	A-1
Abbreviations	A-1
Alphabetical Index	A-2 - A-4
C25A	A-5 - B-20
C27AL	B-21 - D-10
C27A	D-11 - E-24
C25C	F-1 - G-12
C24C	G-13 - H-24
C22C	I-1 - J-12

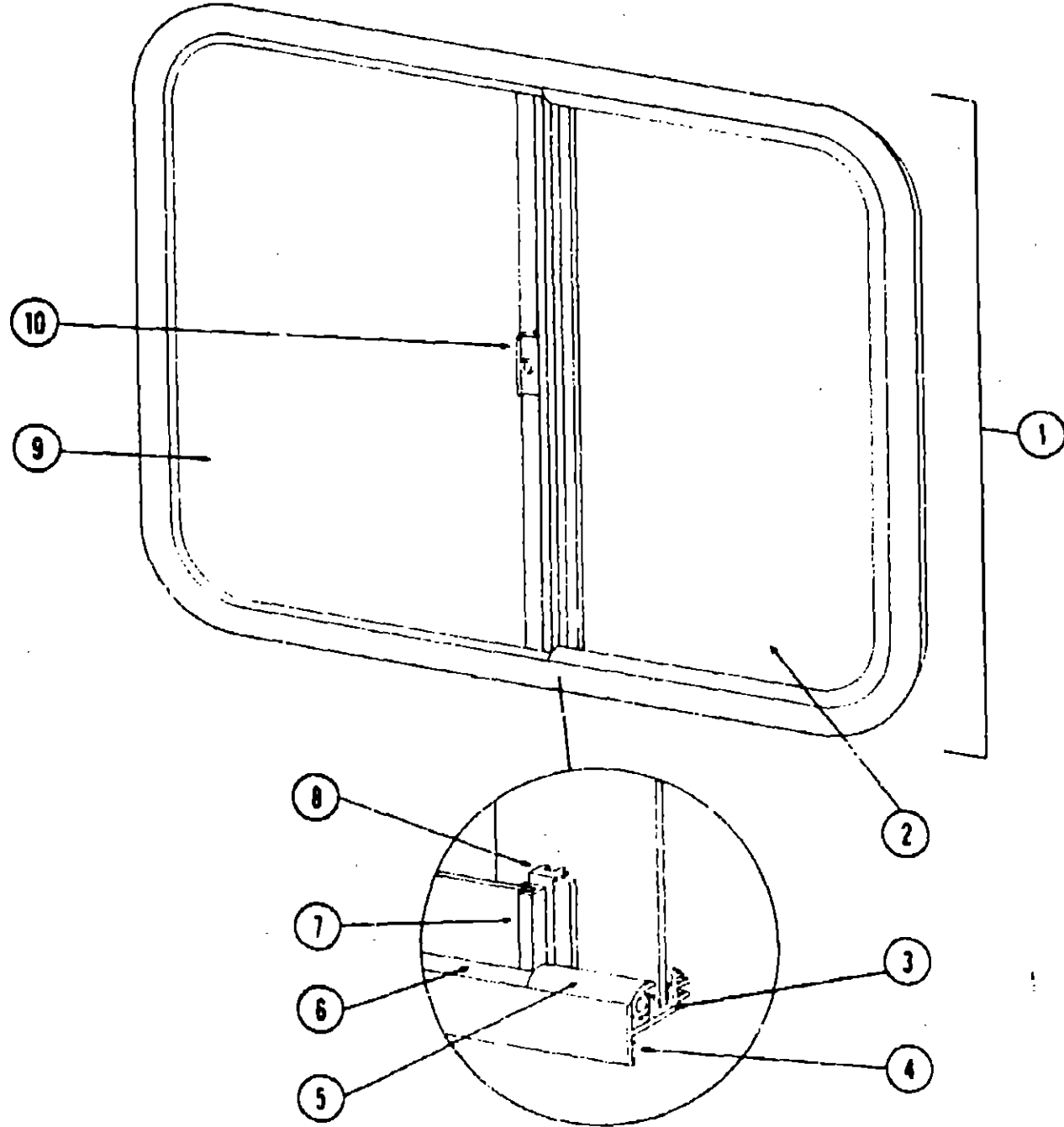
### 1976 C25A INDEX

Floor Plan	A-5 - A-6
Accessories Group	A-7 - A-8
Bath Group	A-9 - A-10
Chassis Group	A-11
Curtain, Cushion & Pad Group	A-12 - A-15
Dinette Group	A-16
Driver's Compartment Group	A-17
Electrical Group	A-18 - A-19
Exterior Body Group	A-20 - A-23
Galley Group	A-24
Heating & Air Conditioning Group	B-1
Interior Finish Group	B-2 - B-3
LP Group	B-4
Lounge Group	B-5
Water & Sewage Group	B-6
Window, Vent & Exterior Door Group	B-7 - B-20



## WINDOW, VENT AND EXTERIOR DOOR GROUP (CONTINUED)

Key	Part Number	U/M	Description
1	048531-04-000	EA	Window Asm. - Left Single Slider - 20" x 25" - Black Anod. w/Plastic Latch (w/o Inside Frame)
2	047820-01-000	EA	Glass - Sliding - 1/8" x 19" x 13.66" (Window w/Plastic Latch)
	002240-01-000	EA	Glass - Sliding - 1/8" x 19" x 13.68" (Window w/Aluminum Latch)
3	002324-01-000	FT	Channel - Weatherstrip - Glass Run - 1/8" Glass
4	004363-01-000	FT	Tape - Foam - 1/2" x 3/16" - Gray
5	024096-02-000	FT	Seal - Window Channel - Black (Window w/Plastic Latch)
	002283-02-000	FT	Seal - Window Channel - Black (Window w/Aluminum Latch)
6	002309-02-000	FT	Spline - Glass - 1/8" - Black
7	018025-03-000	EA	Holder - Glass Seal - Black
8	041894-02-000	EA	Mullion - Slider Window - 23" - Black (Window w/Plastic Latch)
	018014-04-000	EA	Mullion - Slider Window - 23" - Black (Window w/Aluminum Latch)
9	002241-02-000	EA	Glass - 1/8" x 12.30" x 19" - Stationary
10	047369-01-700	EA	Latch - Window - Plastic - w/Fastener
	023275-01-000	EA	Latch - Window - Aluminum
	002298-01-000	FT	Spline - Screen - .130" Dia. - Gray
	002273-01-000	SF	Screen - Window - 26" - Gray
	042147-05-000	EA	Frame - Window - Inside - 20" x 25" - Brown (Window - w/Plastic Latch)
	035929-03-000	EA	Frame - Window - Inside - 20" x 25" - Brown (Window w/Aluminum Latch)
	023713-02-000	EA	Cover - Weephole - Black Plastic
	Not Illustrated		



### 1976 ITASCA TABLE OF CONTENTS

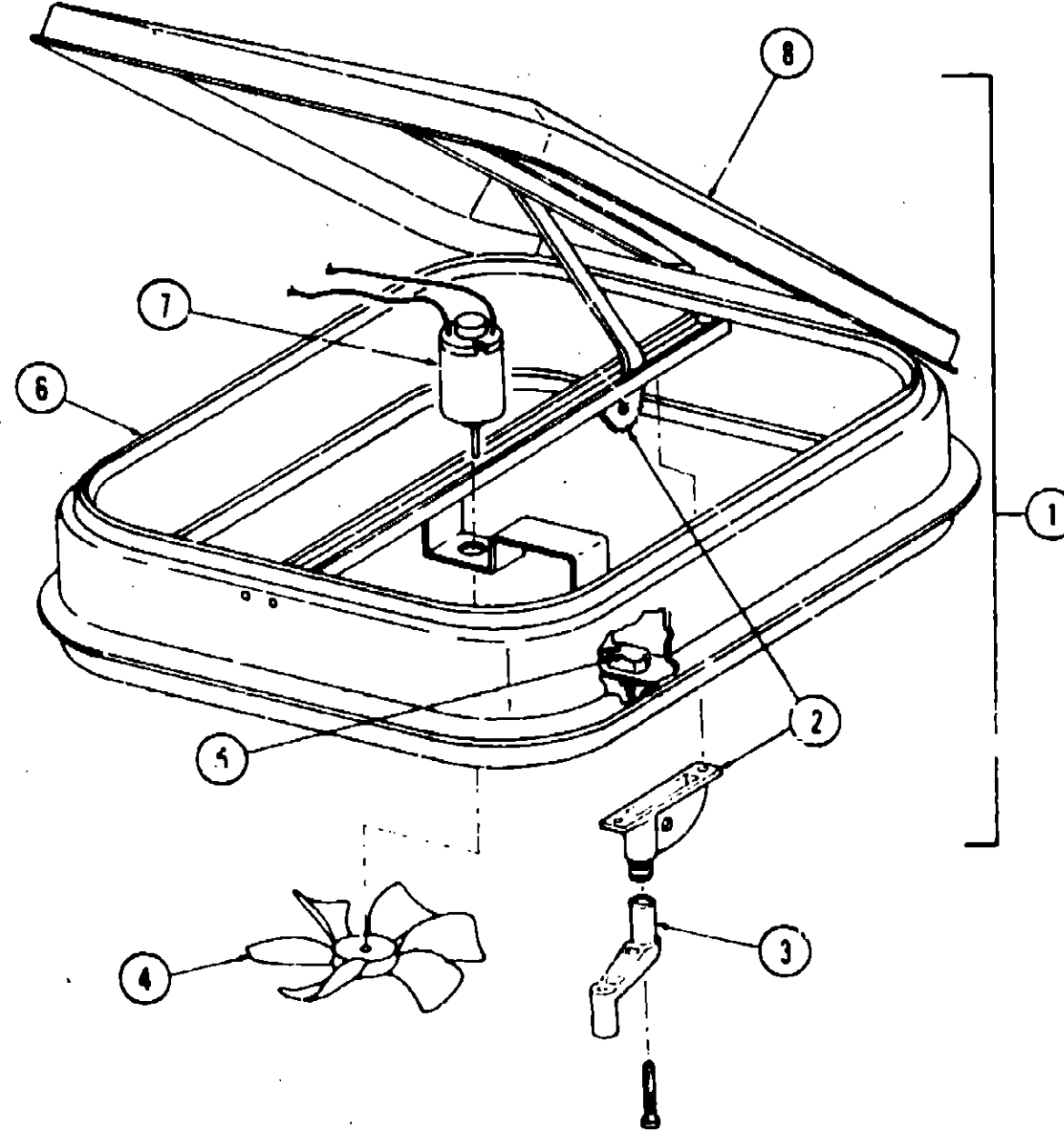
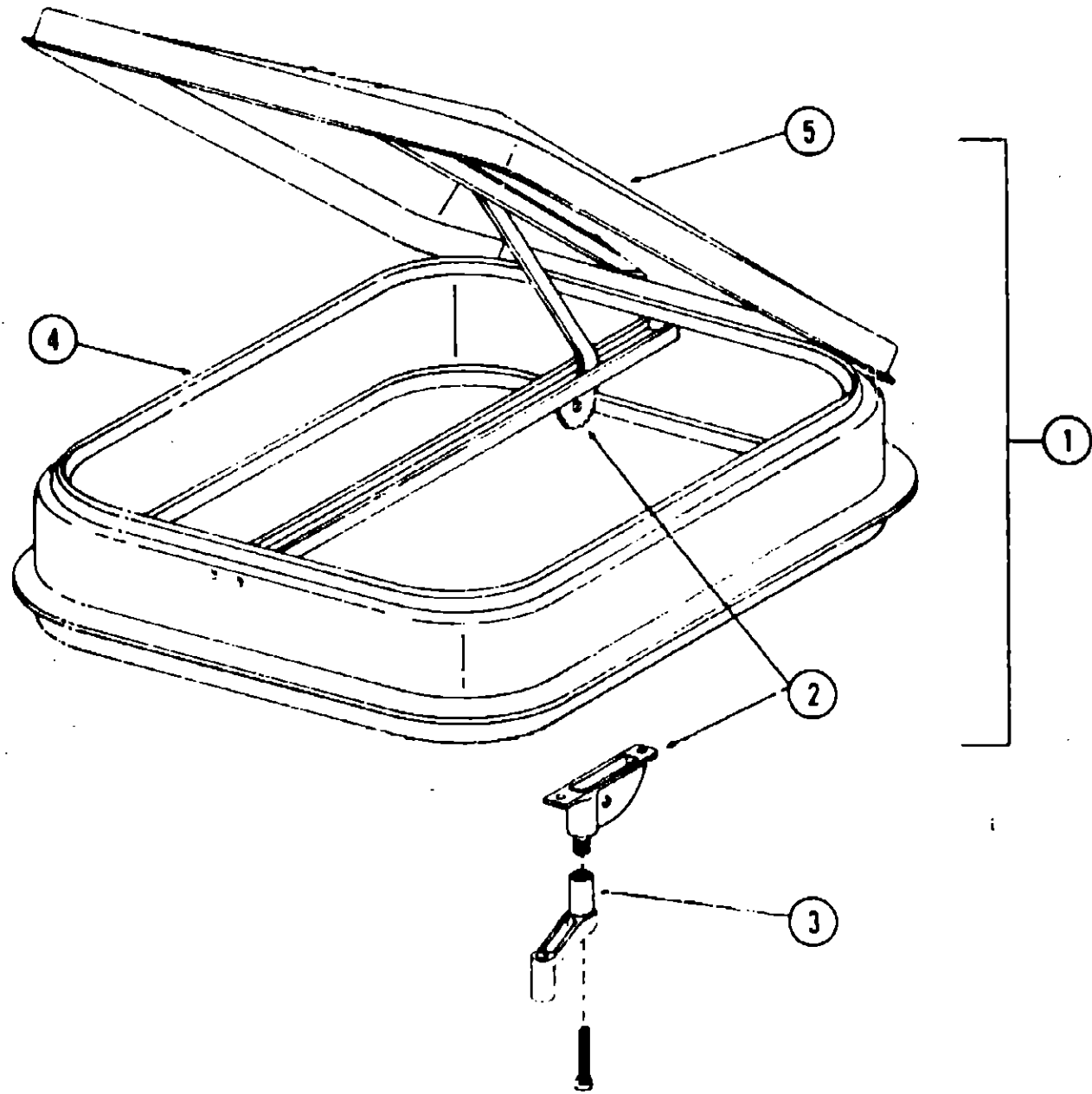
Introduction	A-1
Abbreviations	A-1
Alphabetical Index	A-2 - A-4
C25A	A-5 - B-20
C27AL	B-21 - D-10
C27A	D-11 - E-24
C25C	F-1 - G-12
C24C	G-13 - H-24
C22C	I-1 - J-12

### 1976 C25A INDEX

Floor Plan	A-5 - A-6
Accessories Group	A-7 - A-8
Bath Group	A-9 - A-10
Chassis Group	A-11
Curtain, Cushion & Pad Group	A-12 - A-15
Dinette Group	A-16
Driver's Compartment Group	A-17
Electrical Group	A-18 - A-19
Exterior Body Group	A-20 - A-23
Galley Group	A-24
Heating & Air Conditioning Group	B-1
Interior Finish Group	B-2 - B-3
LP Group	B-4
Lounge Group	B-5
Water & Sewage Group	B-6
Window, Vent & Exterior Door Group	B-7 - B-20

**WINDOW, VENT AND EXTERIOR DOOR GROUP (CONTINUED)**

**WINDOW, VENT AND EXTERIOR DOOR GROUP (CONTINUED)**



**1976 ITASCA  
TABLE OF CONTENTS**

Introduction	A-1
Abbreviations	A-1
Alphabetical Index	A-2 - A-4
C25A	A-5 - B-20
C27AL	B-21 - D-10
C27A	D-11 - E-24
C25C	F-1 - G-12
C24C	G-13 - H-24
C22C	I-1 - J-12

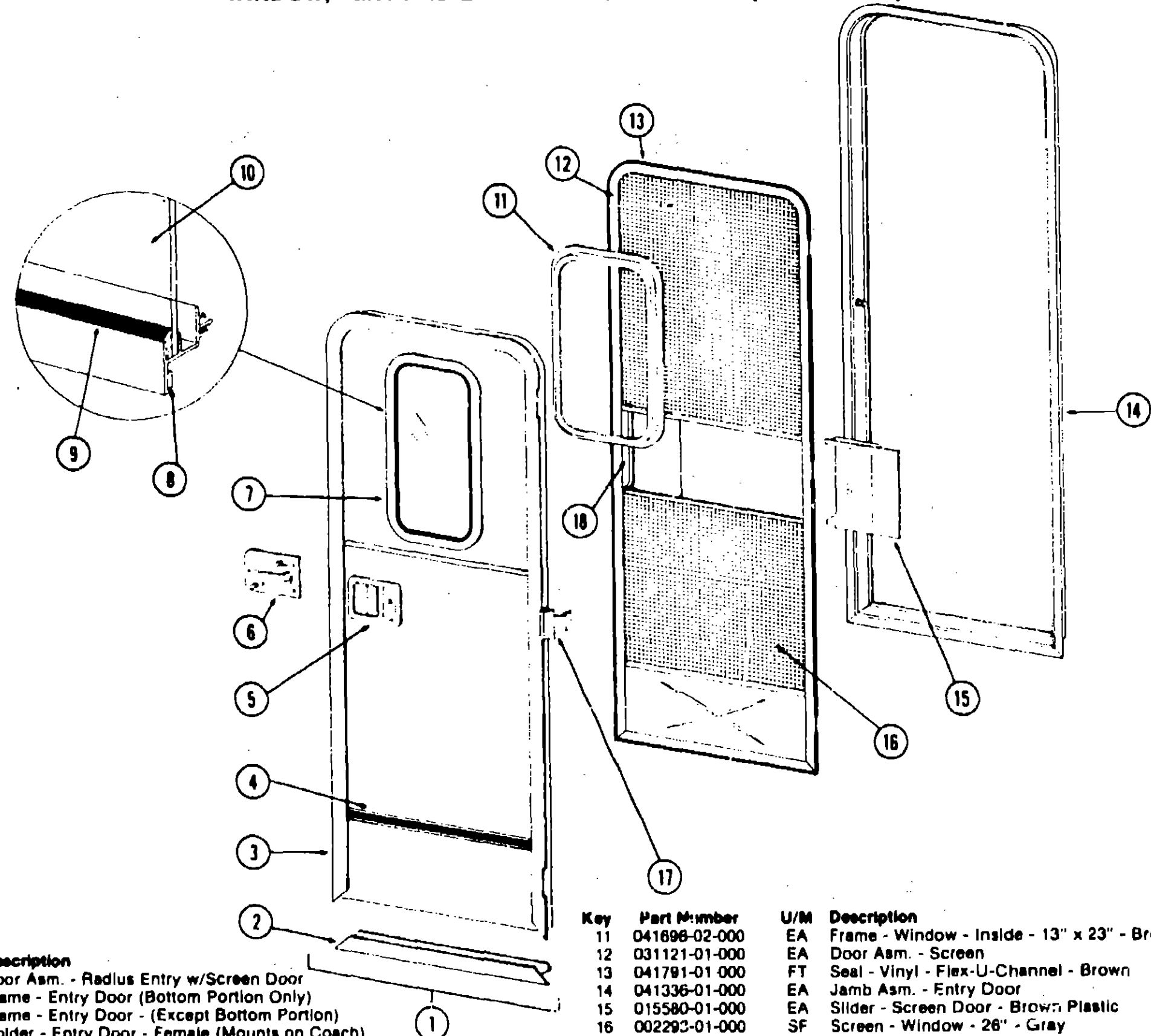
**1976 C25A  
INDEX**

Floor Plan	A-5 - A-6
Accessories Group	A-7 - A-8
Bath Group	A-9 - A-10
Chassis Group	A-11
Curtain, Cushion & Pad Group	A-12 - A-15
Dinette Group	A-16
Driver's Compartment Group	A-17
Electrical Group	A-18 - A-19
Exterior Body Group	A-20 - A-23
Galley Group	A-24
Heating & Air Conditioning Group	B-1
Interior Finish Group	B-2 - B-3
LP Group	B-4
Lounge Group	B-5
Water & Sewage Group	B-6
Window, Vent & Exterior Door Group	B-7 - B-20

Key	Part Number	U/M	Description
1	048835-01-000	EA	Vent Asm. - Roof - Non Powered - w/o Screen
2	009440-01-000	EA	Gear - Arm - Roof Vent
3	009439-01-000	EA	Crank - Roof Vent
4	002825-01-000	FT	Weatherstrip - Roof Vent
5	046825-01-000	EA	Cover - Plastic - Roof Vent
•	016335-01-000	EA	Screen Asm. - Non Powered Roof Vent - Clear Anod. (not included in assembly)
•	016335-03-000	EA	Screen Asm. - Non Powered Roof Vent - Beige (not included in assembly)
•	Not Illustrated		

Key	Part Number	U/M	Description
1	048789-01-000	EA	Vent Asm. Roof - Powered - w/o Screen
2	009440-01-000	EA	Gear - Arm - Roof Vent
3	009439-01-000	EA	Crank - Roof Vent
4	048649-01-000	EA	Fan - Blade - 6" Plastic
5	008195-01-000	EA	Switch - Push Button - 12 Volt
6	002825-01-000	FT	Weatherstrip - Roof Vent
7	048648-01-000	EA	Motor - 12 Volt
8	046825-01-000	EA	Cover - Plastic - Roof Vent
•	048695-01-000	EA	Screen Asm. - Powered Roof Vent - Clear Anod. (not included in assembly)
•	048695-03-000	EA	Screen Asm. - Powered Roof Vent - Beige (not included in assembly)
•	Not Illustrated		

**WINDOW, VENT AND EXTERIOR DOOR GROUP (CONTINUED)**



Key	Part Number	U/M	Description
1	039751-01-000	EA	Door Asm. - Radius Entry w/Screen Door
2	039737-01-000	EA	Frame - Entry Door (Bottom Portion Only)
3	039738-01-000	EA	Frame - Entry Door - (Except Bottom Portion)
4	009101-02-000	EA	Holder - Entry Door - Female (Mounts on Coach)
5	009102-01-000	EA	Holder - Entry Door 2 1/2" Male (Mounts on Door)
6	041948-01-000	EA	Kill - Radius Door - Lock - Complete - Atwood
7	039541-01-000	EA	Lock Cylinder w/Keys - Atwood
8	039539-01-000	EA	Striker - Entry Door Lock
9	002309-02-000	FT	Tape - Foam - 3/16" x 1/2" - Gray
10	002181-01-000	EA	Glass - Picture Window - 1/8" x 12" x 22" - Gray

Key	Part Number	U/M	Description
11	041698-02-000	EA	Frame - Window - Inside - 13" x 23" - Brown
12	031121-01-000	EA	Door Asm. - Screen
13	041791-01-000	FT	Seal - Vinyl - Flex-U-Channel - Brown
14	041336-01-000	EA	Jamb Asm. - Entry Door
15	015580-01-000	EA	Slider - Screen Door - Brown Plastic
16	002293-01-000	SF	Screen - Window - 26" - Gray
17	039520-01-000	EA	Hinge - Entry Door (3 used per door)
18	015581-01-000	EA	Cap - Screen Door - Brown Plastic
19	049176-01-000	EA	Hedlok II - 3/4" Diameter - Screw Mount (Retains Screen Door to Entry Door)
	049787-01-000	EA	Hedlok II - 1" Diameter - Screw Mount (Retains Screen Door to Entry Door)
	018019-01-000	EA	Striker - Screen Door
	039883-01-000	EA	Catch Asm. - Single Roller w/Strike - Screen Door
	039740-01-000	FT	Seal - Jamb - Entry Door
	039800-03-000	FT	Tubing - Polybutyl - 3/8" O.D. - Jamb
			Not Illustrated

**1976 ITASCA  
TABLE OF CONTENTS**

Introduction	A-1
Abbreviations	A-1
Alphabetical Index	A-2 - A-4
C25A	A-5 - B-20
C27AL	B-21 - D-10
C27A	D-11 - E-24
C25C	F-1 - G-12
C24C	G-13 - H-24
C22C	I-1 - J-12

**1976 C25A  
INDEX**

Floor Plan	A-5 - A-6
Accessories Group	A-7 - A-8
Bath Group	A-9 - A-10
Chassis Group	A-11
Curtain, Cushion & Pad Group	A-12 - A-15
Dinette Group	A-16
Driver's Compartment Group	A-17
Electrical Group	A-18 - A-19
Exterior Body Group	A-20 - A-23
Galley Group	A-24
Heating & Air Conditioning Group	B-1
Interior Finish Group	B-2 - B-3
LP Group	B-4
Lounge Group	B-5
Water & Sewage Group	B-6
Window, Vent & Exterior Door Group	B-7 - B-20

# WINDOW, VENT AND EXTERIOR DOOR GROUP (CONTINUED)

## WINDSHIELD

Key	Part Number	U/M	Description
	037455-02-000	EA	Frame Asm. - Windshield w/o Glass
	034975-03-000	EA	Glass - Windshield - 1/4" x 28.25" x 47.38"
	038888-01-000	EA	Tape - Butyl - .31" x .31" x 148" Long

## ACCESS DOORS

Key	Part Number	U/M	Description
	003182-03-000	EA	Door Asm. - Water Heater Access - Off White
	044210-01-000	EA	Door Asm. - Power Cord - 6" x 10" - Off White Plastic w/Quarter Turn Plastic Latch
	037804-03-000	EA	Door Asm. - Battery - Off White w/Twist Type Lock
	037433-05-000	EA	Door Asm. - Generator - Off White w/Twist Type Lock
	037804-04-000	EA	Door Asm. - Luggage - Off White w/Key Type Lock
	037807-03-000	EA	Door Asm. - Refrigerator Access - Off White w/Twist Type Lock
	043942-01-000	EA	Lock Asm. - Quarter Turn Plastic (Power Cord Door)
	039884-01-000	EA	Lock Asm. - Twist Type w/Clip
	047305-01-000	EA	Lock Asm. - Key Type w/Clip
	016945-02-000	EA	Holder Asm. - Battery or Luggage Door (Holds Door Open)

## VENTS

Key	Part Number	U/M	Description
	039778-01-000	EA	Cover - Refrigerator Vent - Plastic
	009407-01-000	EA	Base - Frame - Refrigerator Vent w/o Cover
	048352-01-000	EA	Vent - Stovehood - Outside - Off White - Jensen

## 1976 ITASCA TABLE OF CONTENTS

Introduction	A-1
Abbreviations	A-1
Alphabetical Index	A-2 - A-4
C25A	A-5 - B-20
C27AL	B-21 - D-10
C27A	D-11 - E-24
C25C	F-1 - G-12
C24C	G-13 - H-24
C22C	I-1 - J-12

## 1976 C25A INDEX

Floor Plan	A-5 - A-6
Accessories Group	A-7 - A-8
Bath Group	A-9 - A-10
Chassis Group	A-11
Curtain, Cushion & Pad Group	A-12 - A-15
Dinette Group	A-16
Driver's Compartment Group	A-17
Electrical Group	A-18 - A-19
Exterior Body Group	A-20 - A-23
Galley Group	A-24
Heating & Air Conditioning Group	B-1
Interior Finish Group	B-2 - B-3
LP Group	B-4
Lounge Group	B-5
Water & Sewage Group	B-6
Window, Vent & Exterior Door Group	B-7 - B-20