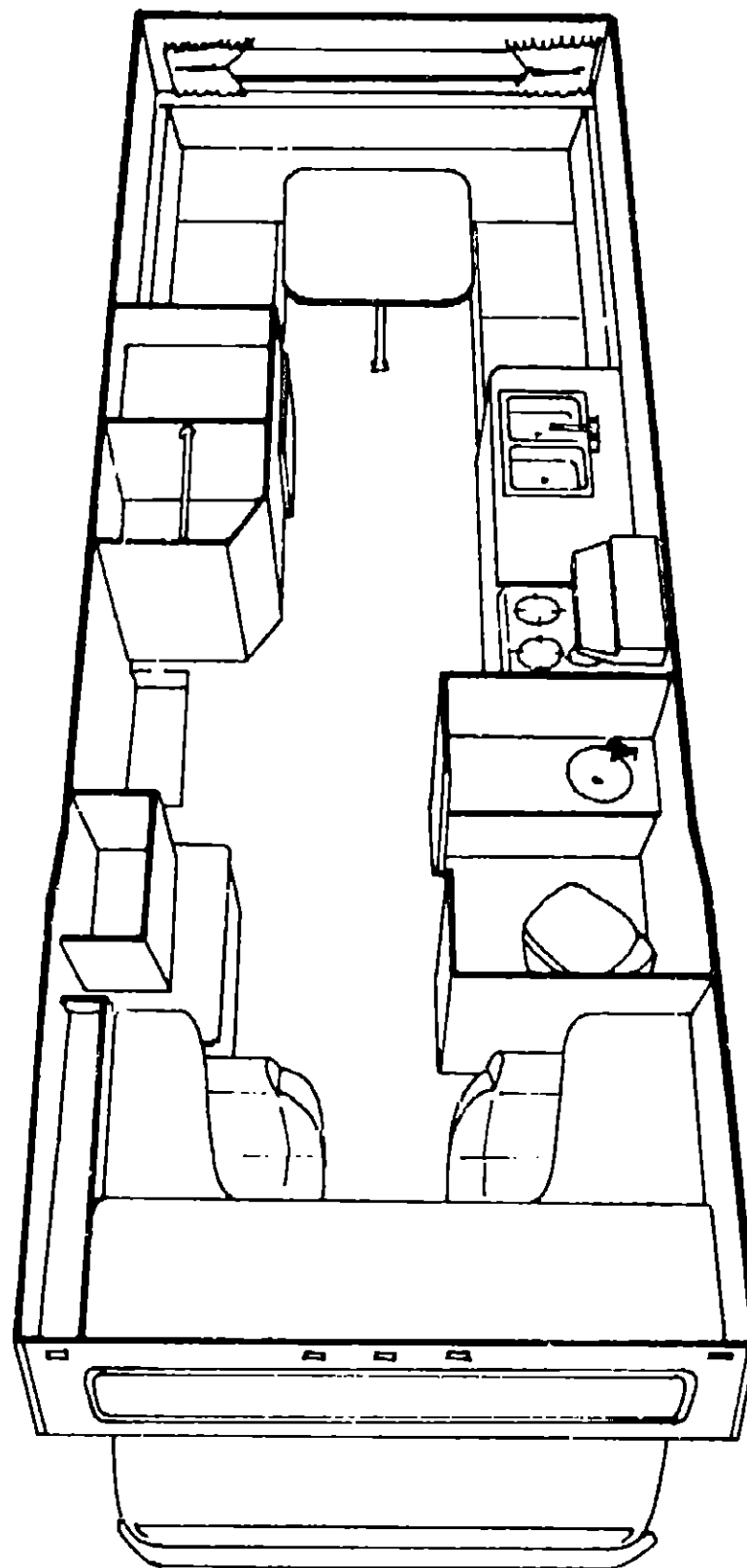


1976 C24C



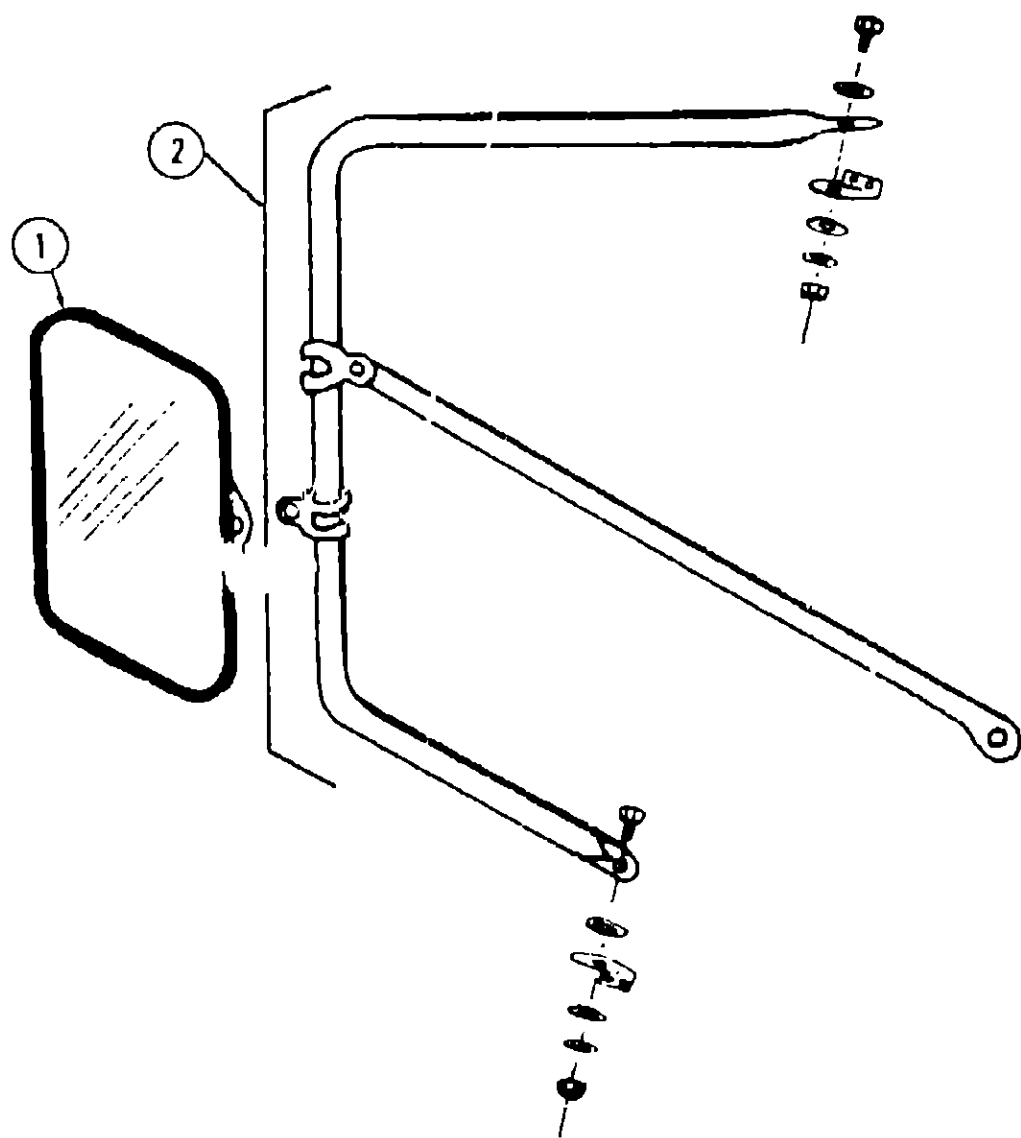
1976 ITASCA TABLE OF CONTENTS

Introduction	A-1
Abbreviations	A-1
Alphabetical Index	A-2 - A-4
C25A	A-5 - B-20
C27AL	B-21 - D-10
C27A	D-11 - E-24
C25C	F-1 - G-12
C24C	G-13 - H-24
C22C	I-1 - J-12

1976 C24C INDEX

Floor Plan	G-13 - G-14
Accessories Group	G-15 - G-16
Bath Group	G-17
Chassis Group	G-18
Curtain, Cushion & Pad Group	G-19 - G-22
Dinette Group	G-23
Driver's Compartment Group	G-24
Electrical Group	H-1 - H-2
Exterior Body Group	H-3 - H-6
Galley Group	H-7
Heating & Air Conditioning Group	H-8
Interior Finish Group	H-9 - H-10
LP Group	H-11
Water & Sewage Group	H-12
Window, Vent & Exterior Door Group	H-13 - H-24

ACCESSORIES GROUP



Key	Part Number	U/M	Description
1	049347-01-000	EA	Mirror Head Only - 7 1/2" x 10 1/2" - Stainless Steel
2	049349-01-000	EA	Arm - West Coast Mirror - Stainless Steel

ACCESSORIES GROUP (CONTINUED)

SPEED CONTROL AND COMPONENTS

Key	Part Number	U/M	Description
	042713-01-000	EA	Speed Control Package - 350 C.I.D. - C-Body
	007255-01-700	EA	Regulator Asm.
	047841-01-701	EA	Servo Asm
	007255-01-702	EA	Engage Switch - Clamp On
	007298-01-702	EA	Harness Asm.
	007298-01-700	EA	Cable Asm. - Transmission
	007255-01-704	EA	Switch Asm. - Decelerate
	024746-01-700	EA	Relay - Speed Control

RADIOS AND RELATED COMPONENTS

Key	Part Number	U/M	Description
	049730-01-000	EA	Radio - Clarion - AM w/Fader Switch
	049731-01-000	EA	Radio - Clarion - AM/FM/MPX w/Fader Switch
	049732-01-000	EA	Radio - Clarion - AM/FM/MPX/8-Track w/Fader Switch
	045836-01-000	EA	Plate - Radio Cover
	039879-01-000	EA	Speaker Kit - 5 1/4" Diameter w/Black Padded Grille
	007004-01-000	EA	Antenna - Radio - Cab Mount
	050785-01-000	EA	Switch - Rear Volume Control
	050751-01-000	EA	Plaque - Fader/Mic Mounting

GENERATORS AND INSTALLATION KITS

Key	Part Number	U/M	Description
	040507-01-000	EA	Exhaust System - Generator 2500/4000 Watt
	040612-01-000	EA	Muffler - Generator - 2500/4000 Watt
	046317-01-000	EA	Tailpipe - Exhaust - Generator - 1 3/8" x 5'
	041261-01-000	EA	Wiring Asm. - Remote Generator Switch
	024976-01-000	EA	Switch - Generator w/o Circuit Board
	007067-01-000	SF	Insulation - Fiberglass - 1"
	041369-01-000	EA	Tray - Generator
	041420-01-000	EA	Elbow - Steel - 1/8" MPT x 3/16" Barb
	042865-01-000	EA	Scoop - Generator Air
**	040504-01-000	EA	Generator - 2.5 KW - Kohler
**	040505-01-000	EA	Generator - 4.0 KW - Kohler

**The illustrated parts breakdown for this item is provided on the Common Items Fiche.

MISCELLANEOUS ACCESSORIES

Key	Part Number	U/M	Description
	041440-01-000	EA	Luggage Rack & Ladder Asm.
	041440-02-000	EA	Ladder Only - for Luggage Rack
	006053-01-000	EA	Antenna Asm. - TV
	006093-01-000	EA	Jack - TV - Brown
	040465-03-000	EA	Cover - Spare Tire - 32"
	017516-01-000	EA	Mudflap - Black Rubber - 14" x 18" w/Holes
	044763-01-000	EA	Splash Guard - Front - Black Rubber
	046742-01-000	EA	Step Asm. - Assist - Front Door
	046926-01-000	EA	Cover - Wheel - 16" - Chrome (Set of 4)
	006113-01-000	EA	Jack - Hydraulic - 5 Ton
	041944-01-700	EA	Fire Extinguisher w/Bracket - Dry Chemical

1976 ITASCA TABLE OF CONTENTS

Introduction	A-1
Abbreviations	A-1
Alphabetical Index	A-2 - A-4
C25A	A-5 - B-20
C27AL	B-21 - D-10
C27A	D-11 - E-24
C25C	F-1 - G-12
C24C	G-13 - H-24
C22C	I-1 - J-12

1976 C24C INDEX

Floor Plan	G-13 - G-14
Accessories Group	G-15 - G-16
Bath Group	G-17
Chassis Group	G-18
Curtain, Cushion & Pad Group	G-19 - G-22
Dinette Group	G-23
Driver's Compartment Group	G-24
Electrical Group	H-1 - H-2
Exterior Body Group	H-3 - H-6
Galley Group	H-7
Heating & Air Conditioning Group	H-8
Interior Finish Group	H-9 - H-10
LP Group	H-11
Water & Sewage Group	H-12
Window, Vent & Exterior Door Group	H-13 - H-24

BATH GROUP

BATH CABINETRY

Key	Part Number	U/M	Description
	047159-01-701	EA	Cabinet Asm. - Vanity - w/o Countertop, Door or Hardware
	047159-01-700	EA	Countertop Asm. - Vanity Cabinet - Rust (Fire and Grass)
	047159-02-700	EA	Countertop Asm. - Vanity Cabinet - Gold (Aztec Gold)
	047159-03-700	EA	Countertop Asm. - Vanity Cabinet - Beige (Saddle)
	045849-11-700	EA	Door Asm. - Vanity Cabinet - 6 7/8" x 19" - w/o Hardware
	045851-02-700	EA	Drawer Asm. - Vanity Cabinet - 5 1/4" x 12" - w/o Hardware
	043216-04-700	EA	Cabinet Asm. - Medicine w/o Doors - Rust (Fire and Grass)
	043216-05-700	EA	Cabinet Asm. - Medicine w/o Doors - Gold (Aztec Gold)
	043216-06-700	EA	Cabinet Asm. - Medicine w/o Doors - Beige (Saddle)
	042964-06-000	EA	Door Asm. - Sliding - Medicine Cabinet
	009785-01-000	FT	Track - Sliding Door - Upper - Dark Brown
	009786-01-000	FT	Track - Sliding Door - Lower - Dark Brown
	047156-01-700	EA	Door Asm. - Bath - w/o Hardware
	047392-01-700	EA	Countertop Asm. - Front Wardrobe - Butcher Block
	045850-05-700	EA	Door Asm. - Front Wardrobe Cabinet - 53 3/4" x 93 7/8" - w/o Hardware

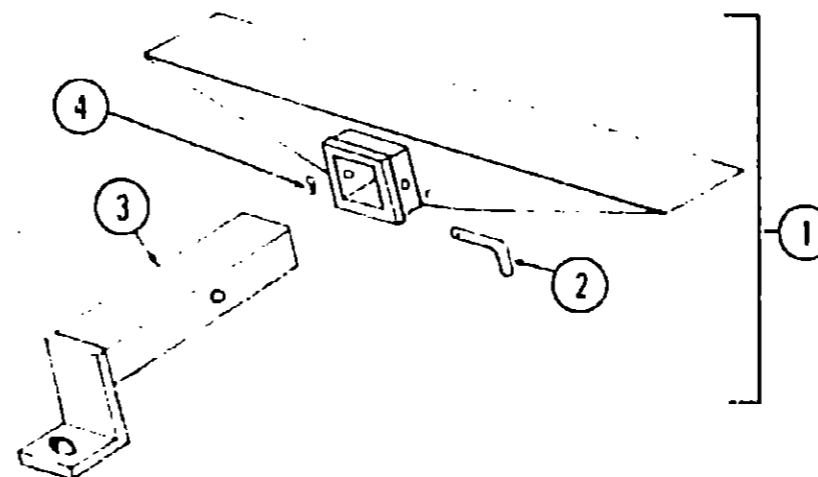
BATH HARDWARE

Key	Part Number	U/M	Description
	011028-01-000	EA	Sink - Stainless Steel - Oval w/Boils
	011057-01-000	EA	Faucet - Lavatory and Shower
	037561-01-000	EA	Back Flow Preventer - Vacuum Breaker
	011048-01-000	EA	Shower Head - w/60" Hose
	010495-01-000	EA	Clamp - Cable - 9/16"
	011086-01-000	EA	Strainer - Shower Pan
	011069-01-000	EA	Tailpiece - 1 1/4" x 4" - Brass
	043579-01-000	EA	Mirror - 1/8" x 19" x 26"
	009089-01-000	EA	Clip - Mirror
	009133-01-000	EA	Bar - Towel Rack - 12" - Plastic
	023449-01-000	EA	Bracket - Towel
	042711-02-000	EA	Shower Pan - 33.5" x 28" - Ivory Plastic
	009124-01-000	EA	Lock - Bath Door - Push Button Brass
**	039341-02-000	EA	Toilet - Marine - Ivory - Aqua Magic Model SH
**	041840-01-000	EA	Toilet - Marine - Aqua Magic III - Thetford

**The illustrated parts breakdown for this item is provided on the Common Items Fiche

CHASSIS GROUP

Key	Part Number	U/M	Description
	024641-02-000	EA	Step Asm. - Entry Door
	046742-01-000	EA	Step Asm. - Cab Door
	044817-01-002	EA	Hat Section - Steel - w/Lip 8-1.25"
	045000-03-000	EA	Shield - Heat - 40"
	021276-01-000	EA	Tray - Battery - Steel
	048682-01-000	EA	Rod - Battery Tie Down
	046746-01-000	EA	Support Asm. - Radiator - Grille
	044763-01-000	EA	Splashguard - Front - Black Rubber
	017516-01-000	EA	Mudflap - Black Rubber - 14" x 18" w/Holes
	007160-01-000	EA	Gasket - Tire Carcass - 3/16" x 2" x 2"
	040848-01-000	EA	Bumper - Hood
	007125-08-000	EA	Clamp Asm. - Muffler - 3" Diameter
	042377-01-000	EA	Tailpipe Extension - 3" O.D. x 7.50"
	040634-01-000	EA	Carrier - Spare Tire
	040974-01-000	EA	Bracket - Spare Tire Retainer
	046043-06-000	EA	Bracket Asm. - Rear Bumper
	046785-01-000	EA	Bumper - Rear - Chrome
	041369-01-000	EA	Tray - Generator
	039649-01-000	EA	Wheel Well - Rear Plastic - Left or Right
	041787-01-000	EA	Clip - Speed Cable or Rod
	041200-01-000	EA	Pin Clevis - 1/4" Dia. x 2.50"
	041228-01-000	EA	Pin - Hitch - 1/16" Wire
	044163-01-000	EA	Bracket - Fiberglass to Wheel Well
	044164-01-000	EA	Bracket - Fiberglass to Hinge Pillar



Key	Part Number	U/M	Description
1	023695-01-700	EA	Hitch Kit - w/Drawbar
2	034512-01-000	EA	Pin - Locking - Drawbar
3	024876-01-700	EA	Drawbar Asm. - Trailer Hitch - Primed
4	034513-01-000	EA	Pin - Hitch - 3/16" Wire Spring

1976 ITASCA TABLE OF CONTENTS

Introduction	A-1
Abbreviations	A-1
Alphabetical Index	A-2 - A-4
C25A	A-5 - B-20
C27AL	B-21 - D-10
C27A	D-11 - E-24
C25C	F-1 - G-12
C24C	G-13 - H-24
C22C	I-1 - J-12

1976 C24C INDEX

Floor Plan	G-13 - G-14
Accessories Group	G-15 - G-16
Bath Group	G-17
Chassis Group	G-18
Curtain, Cushion & Pad Group	G-19 - G-22
Dinette Group	G-23
Driver's Compartment Group	G-24
Electrical Group	H-1 - H-2
Exterior Body Group	H-3 - H-6
Galley Group	H-7
Heating & Air Conditioning Group	H-8
Interior Finish Group	H-9 - H-10
LP Group	H-11
Water & Sewage Group	H-12
Window, Vent & Exterior Door Group	H-13 - H-24

CURTAIN, CUSHION AND PAD GROUP

CURTAINS

Key	Part Number	U/M	Description
	045839-02-000	EA	Curtain - Wraparound w/Snap Top - 26" x 62" - Rust (Fire and Grass)
	045839-03-000	EA	Curtain - Wraparound w/Snap Top - 26" x 62" - Gold (Aztec Gold)
	045839-04-000	EA	Curtain - Wraparound w/Snap Top - 26" x 62" - Beige (Saddle)
	043121-37-000	EA	Curtain w/Snap Top - Right - 26" x 24" - Rust (Fire and Grass)
	043121-38-000	EA	Curtain w/Snap Top - Right - 26" x 24" - Gold (Aztec Gold)
	043121-39-000	EA	Curtain w/Snap Top - Right - 26" x 24" - Beige (Saddle)
	043122-37-000	EA	Curtain w/Snap Top - Left - 26" x 24" - Rust (Fire and Grass)
	043122-38-000	EA	Curtain w/Snap Top - Left - 26" x 24" - Gold (Aztec Gold)
	043122-39-000	EA	Curtain w/Snap Top - Left - 26" x 24" - Beige (Saddle)
	039928-69-000	EA	Curtain w/Snap Top - 25" x 52" - Rust (Fire and Grass)
	039928-70-000	EA	Curtain w/Snap Top - 25" x 52" - Gold (Aztec Gold)
	039928-71-000	EA	Curtain w/Snap Top - 25" x 52" - Beige (Saddle)
	039928-72-000	EA	Curtain w/Snap Top - 21" x 37" - Rust (Fire and Grass)
	039928-73-000	EA	Curtain w/Snap Top - 21" x 37" - Gold (Aztec Gold)
	039928-74-000	EA	Curtain w/Snap Top - 21" x 37" - Beige (Saddle)
	043120-72-000	EA	Curtain w/Snap Top - 15" x 37" - Rust (Fire and Grass)
	043120-73-000	EA	Curtain w/Snap Top - 15" x 37" - Gold (Aztec Gold)
	043120-74-000	EA	Curtain w/Snap Top - 15" x 37" - Beige (Saddle)
	039928-66-000	EA	Curtain w/Snap Top - 17" x 42" - Rust (Fire and Grass)
	039928-67-000	EA	Curtain w/Snap Top - 17" x 42" - Gold (Aztec Gold)
	039928-68-000	EA	Curtain w/Snap Top - 17" x 42" - Beige (Saddle)
	043120-69-000	EA	Curtain w/Snap Top - 34" x 37" - Rust (Fire and Grass)
	043120-70-000	EA	Curtain w/Snap Top - 34" x 37" - Gold (Aztec Gold)
	043120-71-000	EA	Curtain w/Snap Top - 34" x 37" - Beige (Saddle)
	033315-75-000	EA	Curtain - Privacy - 90" x 75" - Rust (Fire and Grass)
	033315-76-000	EA	Curtain - Privacy - 90" x 75" - Gold (Aztec Gold)
	033315-77-000	EA	Curtain - Privacy - 90" x 75" - Beige (Saddle)
	033311-16-000	EA	Curtain - Blackout - 42" x 96" - Brown Vinyl
	043120-61-000	EA	Curtain w/Snap Top - 21" x 63" - Brown Vinyl

VALANCES

Key	Part Number	U/M	Description
	041909-41-000	EA	Valance w/Header - 5.5" x 35" - Rust (Fire and Grass)
	041909-42-000	EA	Valance w/Header - 5.5" x 35" - Gold (Aztec Gold)
	041909-43-000	EA	Valance w/Header - 5.5" x 35" - Beige (Saddle)
	041909-38-000	EA	Valance w/Header - 5.5" x 89" - Rust (Fire and Grass)
	041909-39-000	EA	Valance w/Header - 5.5" x 89" - Gold (Aztec Gold)
	041909-40-000	EA	Valance w/Header - 5.5" x 89" - Beige (Saddle)

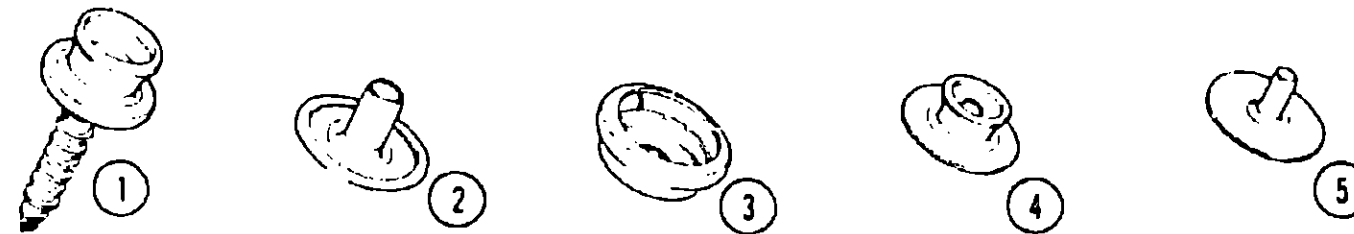
TIE BACKS

Key	Part Number	U/M	Description
	049097-44-000	EA	Tie Back - 18" - Brown Vinyl
	031843-60-000	EA	Tie Back - 17" - Rust (Fire and Grass)
	031843-61-000	EA	Tie Back - 17" - Gold (Aztec Gold)
	031843-62-000	EA	Tie Back - 17" - Beige (Saddle)

CURTAIN, CUSHION AND PAD GROUP (CONTINUED)

CURTAIN HARDWARE

Key	Part Number	U/M	Description
	052327-04-236	EA	Curtain Track - Brown Alum - 89" w/Holes
	018031-42-000	EA	Curtain Track - "L" Rod - 90" Alum.
	009220-01-000	EA	Rod - Curtain - Flat - Extends 18" - 28"
	009223-01-000	EA	Rod - Curtain - Flat - Extends 32" - 51"
	009223-02-000	EA	Rod - Curtain - Flat - Extends 48" - 84"
	042439-01-000	EA	Bracket - Curtain Rod - Single
	035429-06-000	EA	Track - Wraparound Curtain - Left
	035429-05-000	EA	Track - Wraparound Curtain - Right
	009107-01-000	EA	Guide - Nylon Snap
	029100-01-000	EA	Hook - Pin - Curtain
	009701-01-000	EA	Carrier - Curtain - "L" - Rod
	009702-01-000	EA	End Stop - Curtain - "L" Rod



Key	Part Number	U/M	Description
	1 029130-01-000	EA	Socket - Snap Fastener
	2 029155-01-000	EA	Cap - Snap - .156" Diameter x .17" Barrel
	3 029156-01-000	EA	Socket - Snap Fastener
	4 029092-01-000	EA	Stud - Nickel Finish
	5 029093-01-000	EA	Eyelet - Nickel Finish

BUNK CUSHIONS

Key	Part Number	U/M	Description
	041667-90-000	EA	Cushion - Mitered - 27" x 80" x 5" - Rust (Fire and Grass)
	041667-91-000	EA	Cushion - Mitered - 27" x 80" x 5" - Gold (Aztec Gold)
	041667-92-000	EA	Cushion - Mitered - 27" x 80" x 5" - Beige (Saddle)
	041667-90-090	EA	Cover - Cushion - Mitered - 27" x 80" x 5" - Rust (Fire and Grass)
	041667-91-091	EA	Cover - Cushion - Mitered - 27" x 80" x 5" - Gold (Aztec Gold)
	041667-92-092	EA	Cover - Cushion - Mitered - 27" x 80" x 5" - Beige (Saddle)
	041907-91-000	EA	Cushion - Mitered - 24.5" x 80" x 4" - Rust (Fire and Grass)
	041907-92-000	EA	Cushion - Mitered - 24.5" x 80" x 4" - Gold (Aztec Gold)
	041907-93-000	EA	Cushion - Mitered - 24.5" x 80" x 4" - Beige (Saddle)
	041907-91-091	EA	Cover - Cushion - Mitered - 24.5" x 80" x 4" - Rust (Fire and Grass)
	041907-92-092	EA	Cover - Cushion - Mitered - 24.5" x 80" x 4" - Gold (Aztec Gold)
	041907-93-093	EA	Cover - Cushion - Mitered - 24.5" x 80" x 4" - Beige (Saddle)

**1976 ITASCA
TABLE OF CONTENTS**

Introduction	A-1
Abbreviations	A-1
Alphabetical Index	A-2 - A-4
C25A	A-5 - B-20
C27AL	B-21 - D-10
C27A	D-11 - E-24
C25C	F-1 - G-12
C24C	G-13 - H-24
C22C	I-1 - J-12

**1976 C24C
INDEX**

Floor Plan	G-13 - G-14
Accessories Group	G-15 - G-16
Bath Group	G-17
Chassis Group	G-18
Curtain, Cushion & Pad Group	G-19 - G-22
Dinette Group	G-23
Driver's Compartment Group	G-24
Electrical Group	H-1 - H-2
Exterior Body Group	H-3 - H-6
Galley Group	H-7
Heating & Air Conditioning Group	H-8
Interior Finish Group	H-9 - H-10
LP Group	H-11
Water & Sewage Group	H-12
Window, Vent & Exterior Door Group	H-13 - H-24

CURTAIN, CUSHION AND PAD GROUP (CONTINUED)

GAUCHO CUSHIONS

Key	Part Number	U/M	Description
	041910-70-000	EA	Cushion - Waterfall - 26.5" x 34.5" x 5" - Rust (Fire and Grass)
	041910-71-000	EA	Cushion - Waterfall - 26.5" x 34.5" x 5" - Gold (Aztec Gold)
	041910-72-000	EA	Cushion - Waterfall - 26.5" x 34.5" x 5" - Beige (Saddle)
	041910-70-070	EA	Cover - Cushion - Waterfall - 26.5" x 34.5" x 5" - Rust (Fire and Grass)
	041910-71-071	EA	Cover - Cushion - Waterfall - 26.5" x 34.5" x 5" - Gold (Aztec Gold)
	041910-72-072	EA	Cover - Cushion - Waterfall - 26.5" x 34.5" x 5" - Beige (Saddle)
	041910-73-000	EA	Cushion - Waterfall - 16" x 39.5" x 5" - Rust (Fire and Grass)
	041910-74-000	EA	Cushion - Waterfall - 16" x 39.5" x 5" - Gold (Aztec Gold)
	041910-75-000	EA	Cushion - Waterfall - 16" x 39.5" x 5" - Beige (Saddle)
	041910-73-073	EA	Cover - Cushion - Waterfall - 16" x 39.5" x 5" - Rust (Fire and Grass)
	041910-74-074	EA	Cover - Cushion - Waterfall - 16" x 39.5" x 5" - Gold (Aztec Gold)
	041910-75-075	EA	Cover - Cushion - Waterfall - 16" x 39.5" x 5" - Beige (Saddle)
	041910-76-000	EA	Cushion - Waterfall - 27.5" x 65" x 5" - Rust (Fire and Grass)
	041910-77-000	EA	Cushion - Waterfall - 27.5" x 65" x 5" - Gold (Aztec Gold)
	041910-78-000	EA	Cushion - Waterfall - 27.5" x 65" x 5" - Beige (Saddle)
	041910-76-076	EA	Cover - Cushion - Waterfall - 27.5" x 65" x 5" - Rust (Fire and Grass)
	041910-77-077	EA	Cover - Cushion - Waterfall - 27.5" x 65" x 5" - Gold (Aztec Gold)
	041910-78-078	EA	Cover - Cushion - Waterfall - 27.5" x 65" x 5" - Beige (Saddle)
	041910-79-000	EA	Cushion - Waterfall - 16" x 65" x 5" - Rust (Fire and Grass)
	041910-80-000	EA	Cushion - Waterfall - 16" x 65" x 5" - Gold (Aztec Gold)
	041910-81-000	EA	Cushion - Waterfall - 16" x 65" x 5" - Beige (Saddle)
	041910-79-079	EA	Cover - Cushion - Waterfall - 16" x 65" x 5" - Rust (Fire and Grass)
	041910-80-080	EA	Cover - Cushion - Waterfall - 16" x 65" x 5" - Gold (Aztec Gold)
	041910-81-081	EA	Cover - Cushion - Waterfall - 16" x 65" x 5" - Beige (Saddle)

BUCKET SEATS, ARMRESTS AND HEADRESTS

Key	Part Number	U/M	Description
	040516-16-000	EA	Seat Asm. - Single Bucket w/Slide - Rust (Fire and Grass)
	040516-17-000	EA	Seat Asm. - Single Bucket w/Slide - Gold (Aztec Gold)
	040516-18-000	EA	Seat Asm. - Single Bucket w/Slide - Beige (Saddle)
	040516-16-001	EA	Cover Asm. - Single Bucket Seat - Bottom - Rust (Fire and Grass)
	040516-17-001	EA	Cover Asm. - Single Bucket Seat - Bottom - Gold (Aztec Gold)
	040516-18-001	EA	Cover Asm. - Single Bucket Seat - Bottom - Beige (Saddle)
	040516-16-002	EA	Cover Asm. - Single Bucket Seat - Back - Rust (Fire and Grass)
	040516-17-002	EA	Cover Asm. - Single Bucket Seat - Back - Gold (Aztec Gold)
	040516-18-002	EA	Cover Asm. - Single Bucket Seat - Back - Beige (Saddle)
	033906-26-000	EA	Headrest Cover - Rust (Fire and Grass)
	033906-27-000	EA	Headrest Cover - Gold (Aztec Gold)
	033906-28-000	EA	Headrest Cover - Beige (Saddle)
	019722-01-000	EA	Headrest Asm. - Foam w/o Cover
	040492-18-018	EA	Armrest Cover - Right or Left - Rust (Fire and Grass)
	040492-19-019	EA	Armrest Cover - Right or Left - Gold (Aztec Gold)
	040492-20-020	EA	Armrest Cover - Right or Left - Beige (Saddle)
	040494-01-000	EA	Armrest Asm. - Foam w/o Cover - Right - Style #1
	040494-02-000	EA	Armrest Asm. - Foam w/o Cover - Left - Style #1
	050275-01-700	EA	Armrest Asm. - Foam w/o Cover - Right - Style #2
	050276-01-700	EA	Armrest Asm. - Foam w/o Cover - Left - Style #2

NOTE

A production change was made in the armrest. When ordering, you must first determine which style is required. Measure up ten inches from the bottom of the seat frame. If you feel (through the upholstery) a collar protruding outward approximately 1/2", you should order style two. Order style one if no protrusion is noted.

CURTAIN, CUSHION AND PAD GROUP (CONTINUED)

FABRICS AND TRIM

Key	Part Number	U/M	Description
	043618-01-000	YD	Fabric - Upholstery - Rust (Fire and Grass)
	043618-02-000	YD	Fabric - Upholstery - Gold (Aztec Gold)
	043618-03-000	YD	Fabric - Upholstery - Beige (Saddle)
	043619-01-000	YD	Fabric - Drapery - Rust (Fire and Grass)
	043619-02-000	YD	Fabric - Drapery - Gold (Aztec Gold)
	043619-03-000	YD	Fabric - Drapery - Beige (Saddle)
	042411-01-000	YD	Vinyl - Non-Expanded - 27 Oz. - Brown (Bostonian)
	042411-02-000	YD	Vinyl - Expanded - 28 Oz. - Brown (Bostonian)
	042411-03-000	YD	Vinyl - Non Support - 16 Gauge - Brown (Bostonian)
	042373-10-000	EA	Button Asm. - Covered - Rust (Fire and Grass)
	042373-11-000	EA	Button Asm. - Covered - Gold (Aztec Gold)
	042373-12-000	EA	Button Asm. - Covered - Beige (Saddle)
	042414-01-000	FT	Trim - Accent - Brown (Bostonian)
	023631-05-000	EA	Button - Brown (Bostonian)

PADS

Key	Part Number	U/M	Description
	048457-01-000	EA	Pad - Hat Section Cover
	048456-01-000	EA	Pad - Tube Cover
	043321-02-000	EA	Pad - "A" Pillar - Right - Brown Vinyl
	043322-02-000	EA	Pad - "A" Pillar - Left - Brown Vinyl
	043323-02-000	EA	Pad - Door Top - Right - Brown Vinyl
	043324-02-000	EA	Pad - Door Top - Left - Brown Vinyl
	043325-03-000	EA	Pad - "B" Pillar - Left - Brown Vinyl
	043325-04-000	EA	Pad - "B" Pillar - Right - Brown Vinyl
	043326-02-000	EA	Headliner - Cab - Brown Vinyl
	044207-02-000	EA	Pad - Motor Cover
	048360-01-000	EA	Pad - Sleeper Board - Left
	048360-02-000	EA	Pad - Sleeper Board - Right

**1976 ITASCA
TABLE OF CONTENTS**

Introduction	A-1
Abbreviations	A-1
Alphabetical Index	A-2 - A-4
C25A	A-5 - B-20
C27AL	B-21 - D-10
C27A	D-11 - E-24
C25C	F-1 - G-12
C24C	G-13 - H-24
C22C	I-1 - J-12

**1976 C24C
INDEX**

Floor Plan	G-13 - G-14
Accessories Group	G-15 - G-16
Bath Group	G-17
Chassis Group	G-18
Curtain, Cushion & Pad Group	G-19 - G-22
Dinette Group	G-23
Driver's Compartment Group	G-24
Electrical Group	H-1 - H-2
Exterior Body Group	H-3 - H-5
Galley Group	H-7
Heating & Air Conditioning Group	H-8
Interior Finish Group	H-9 - H-10
LP Group	H-11
Water & Sewage Group	H-12
Window, Vent & Exterior Door Group	H-13 - H-24

DINETTE GROUP

Key	Part Number	U/M	Description
	043822-04-700	EA	Table Asm. - Dinette - Butcher Block - w/o Hardware
	009040-02-000	EA	Leg - Pedestal Table - 2.25" O.D. x 27.5"
	009040-03-000	EA	Base - Table Leg - Mounts on Table
	041194-01-000	EA	Base - Table Leg - Mounts on Floor
	047048-01-000	EA	Cabinet Asm. - Dinette Seat - Left
	047049-01-000	EA	Cabinet Asm. - Dinette Seat - Right
	047050-01-000	EA	Cabinet Asm. - Dinette Seat - Center
	045819-02-700	EA	Door Asm. - Dinette Seat Cabinet - 9 5/8" x 18" - w/o Hardware
	047152-01-000	EA	Cabinet Asm. - Dinette Overhead - Left - w/o Doors or Hardware
	047153-01-000	EA	Cabinet Asm. - Dinette Overhead - Right - w/o Doors or Hardware
	047154-01-000	EA	Cabinet Asm. - Dinette Overhead - Center - w/o Doors or Hardware
	047155-01-700	EA	Door Asm. - Dinette Overhead Cabinet - 9" x 21" - w/o Hardware

DRIVER'S COMPARTMENT GROUP

BUCKET SEAT PEDESTAL AND SEAT BELTS

Key	Part Number	U/M	Description
	039589-01-000	EA	Pedestal - Seat
	049943-01-000	EA	Pedestal - Seat - Swivel
	007227-01-000	EA	Adjuster Asm. - Seat w/o Lock
	007223-01-000	EA	Adjuster Asm. - Seat w/Lock
	007224-02-000	EA	Handle - Seat Adjuster - 9"
	007221-01-000	EA	Spacer - Seat Adjuster
	007021-01-000	EA	Belt Asm. - Seat - 2" x 90" - Black
	007222-01-000	EA	Belt Asm. - Seat - 2" x 60" - Black
	041322-01-000	EA	Washer - Flat - 15/32" I.D. x 2 3/8" O.D. (Seat Belt)

DRIVER'S COMPARTMENT PADS

Key	Part Number	U/M	Description
	040697-03-000	EA	Pad - Instrument Panel - Brown
	043321-02-000	EA	Pad - "A" Pillar - Right - Brown Vinyl
	043322-02-000	EA	Pad - "A" Pillar - Left - Brown Vinyl
	043323-02-000	EA	Pad - Door Top - Right - Brown Vinyl
	043324-02-000	EA	Pad - Door Top - Left - Brown Vinyl
	043325-03-000	EA	Pad - "B" Pillar - Left - Brown Vinyl
	043325-04-000	EA	Pad - "B" Pillar - Right - Brown Vinyl
	043326-02-000	EA	Headliner - Cab - Brown Vinyl
	043327-03-000	EA	Support - Cab/Pillar Asm. - Left - Brown Vinyl
	043327-04-000	EA	Support - Cab/Pillar Asm. - Right - Brown Vinyl
	048360-01-000	EA	Pad - Sleeper Board - Left - Brown Vinyl
	048360-02-000	EA	Pad - Sleeper Board - Right - Brown Vinyl
	045205-04-000	EA	Side Panel - Cab Door - Right - Rust (Fire and Grass)
	045205-05-000	EA	Side Panel - Cab Door - Right - Gold (Aztec Gold)
	045205-06-000	EA	Side Panel - Cab Door - Right - Beige (Saddle)
	045205-04-000	EA	Side Panel - Cab Door - Left - Rust (Fire and Grass)
	045206-05-000	EA	Side Panel - Cab Door - Left - Gold (Aztec Gold)
	045206-05-000	EA	Side Panel - Cab Door - Left - Beige (Saddle)

MISCELLANEOUS DRIVER'S COMPARTMENT COMPONENTS

Key	Part Number	U/M	Description
	041317-01-000	EA	Clip - Speed Cable or Rod
	041318-01-000	EA	Clamp Asm. - Engine Cover - Upper
	041319-01-000	EA	Catch - Engine Cover - Upper
	041320-01-000	EA	Bracket - Engine Cover/Floor
	048223-01-000	EA	Bracket - Motor Cover
	044860-01-000	EA	Mat - Step Well - Rubber - Left
	044860-02-000	EA	Mat - Step Well - Black Rubber - Right
	044469-01-000	EA	Nameplate - Itasca - Brown/Silver
	039639-01-000	EA	Bezel - Transmission Control
	049630-01-000	EA	Console - Overhead
	039645-03-000	EA	Extension Asm. - Sleeper Board
	002922-01-011	EA	Bunk Rail - Extr. - 10' Piece
	041476-01-000	FT	Track - Slide - PVC Dark Pecan (12')
	048656-01-000	EA	Bracket - Bunk Catch
	019182-01-000	EA	Hedlok II - 3/4" Dia. - Snap In
	043797-01-000	EA	Hedlok II - 1" Dia. - Screw Mount
	041425-01-000	EA	Cover - Engine
	036414-01-000	EA	Ash Tray

1976 ITASCA TABLE OF CONTENTS

Introduction	A-1
Abbreviations	A-1
Alphabetical Index	A-2 - A-4
C25A	A-5 - B-20
C27AL	B-21 - D-10
C27A	D-11 - E-24
C25C	F-1 - G-12
C24C	G-13 - H-24
C22C	I-1 - J-12

1976 C24C INDEX

Floor Plan	G-13 - G-14
Accessories Group	G-15 - G-16
Bath Group	G-17
Chassis Group	G-18
Curtain, Cushion & Pad Group	G-19 - G-22
Dinette Group	G-23
Driver's Compartment Group	G-24
Electrical Group	H-1 - H-2
Exterior Body Group	H-3 - H-6
Galley Group	H-7
Heating & Air Conditioning Group	H-8
Interior Finish Group	H-9 - H-10
LP Group	H-11
Water & Sewage Group	H-12
Window, Vent. & Exterior Door Group	H-13 - H-24

ELECTRICAL GROUP

BULBS

Key	Part Number	U/M	Description
	037935-01-000	EA	Bulb - 1157
	038010-01-000	EA	Bulb - 1143
	008103-01-000	EA	Bulb 53
	008213-01-000	EA	Bulb - 57
	008214-01-000	FA	Bulb - 67
	008215-01-000	EA	Bulb - 1003
	008216-01-000	EA	Bulb - 1034
	008217-01-000	EA	Bulb - 1073
	008218-01-000	EA	Bulb - 1141
	008219-01-000	EA	Bulb - 656
	008220-01-000	EA	Bulb - 12V - 25W
	036196-01-000	EA	Bulb - 194
	700020-01-000	EA	Bulb - 12V - 20W - 1383

EXTERIOR LIGHTS

Key	Part Number	U/M	Description
	045863-01-000	EA	Lamp Asm. - Tail Horizontal
	045864-01-000	EA	Lamp Asm. - Tail Horizontal w/License Mount
	046125-01-000	EA	Wedge - Tail Light
	033748-01-000	EA	Light - Clearance - Oval - Amber
	033748-02-000	EA	Light - Clearance - Oval - Red

INTERIOR LIGHTS

Key	Part Number	U/M	Description
	024418-01-000	EA	Lamp Asm. - Map/Gauge/Aisle
	024473-01-000	EA	Light - Aircraft - 1 Bulb - Gold
	033508-01-000	EA	Light - Dome - Ivory - 1 Bulb
	024642-01-701	EA	Lens - Dome - Light - 1 Bulb
	033509-01-000	EA	Light - Dome - Ivory - 2 Bulb
	024643-01-701	EA	Lens - Dome Light - 2 Bulb

FUSES AND CIRCUIT BREAKERS

Key	Part Number	U/M	Description
	008233-01-000	EA	Fuse - 12 Volt - 6 Amp.
	008234-01-000	EA	Fuse - 12 Volt - 10 Amp.
	008235-01-000	EA	Fuse - 12 Volt - 15 Amp.
	006236-01-000	EA	Fuse - 12 Volt - 20 Amp.
	008248-01-000	EA	Fuse - 110 Volt - 30 Amp. - AGU
	008252-01-000	EA	Fuse - 110 Volt - 50 Amp.
	008208-01-000	EA	Circuit Breaker - 12 Volt - 40 Amp.
	008211-01-000	EA	Circuit Breaker - 12 Volt - 5 Amp.
	006268-01-000	EA	Circuit Breaker - 12 Volt - 30 Amp. w/Mount
	033573-01-000	EA	Circuit Breaker - 12 Volt - 20 Amp. w/Mount
	040051-01-000	EA	Circuit Breaker - 110 Volt - 20 Amp. - TOL

ELECTRICAL GROUP (CONTINUED)

WIRE, SWITCHES, AND RECEPTACLES

Key	Part Number	U/M	Description
	008024-01-000	FT	Wire - 18.5 Bonded - Orange/White/Yellow/Blue/Brown
	008025-01-000	FT	Wire - 18.5 Bonded - Orange/White/Yellow/Blue/Green
	008028-01-000	FT	Wire - 18.5 Bonded - Blue/Red/Yellow/Orange/White
	008030-01-000	FT	Wire - 18.4 Bonded
	008251-01-000	EA	Holder - Fuse - Black - Screw Type
	008277-01-000	EA	Holder - Fuse - Black - Panel Mount
	008195-01-000	EA	Switch - Push Button - 12 Volt
	006077-01-000	EA	Plaque - Compressor Switch
	008054-01-000	EA	Cord - Power - 10-3 30 Amp. - 25' - UL
	034818-04-000	EA	Holder - Receptacle - Plastic
	039338-01-000	EA	Cover Plate - Receptacle - Plastic - Brown
	039342-01-000	EA	Receptacle - Duplex Brown - T Junction
	024571-01-000	EA	Cover Plate - Receptacle - Jumbo Steel Brown
	039343-01-000	EA	Cap - End - Receptacle
	008162-01-000	EA	Switch - Double Toggle - Spade Brown
	008163-01-000	EA	Switch - Toggle Brown
	008164-01-000	EA	Cover Plate - Switch - Brown
	024924-01-000	EA	Receptacle - Power Cord
	008058-01-000	EA	Adaptor - Power Cord
	047353-01-000	EA	Cover - Receptacle - Ground Fault
	047351-01-000	EA	Receptacle - Ground Fault Interrupter - 125 Volt, Black

MISCELLANEOUS ELECTRICAL COMPONENTS

Key	Part Number	U/M	Description
	047338-01-000	EA	Isolator - Dual Battery
	047339-01-700	EA	Battery - 12 Volt - 105 Amp. Deep Cycle - Dry
	008188-01-000	EA	Solenoid - Dual Battery - Relay
	046775-01-000	EA	Valve - Gas - Change Over
	039959-02-000	EA	Control Center - 30 Amp. w/Door - UL
	024417-01-000	EA	Panel - Control - Water/Double Sewage - Werrac
	039861-01-000	EA	Sending Unit Kit - Wemac
	024459-01-000	EA	Gauge - Voltmeter
	024462-01-000	EA	Switch - Battery Condition
	031035-01-000	EA	Gauge - Hour Meter - Generator
	024976-01-000	EA	Switch - Generator w/o Circuit Board
	024460-01-000	EA	Gauge Vacuum

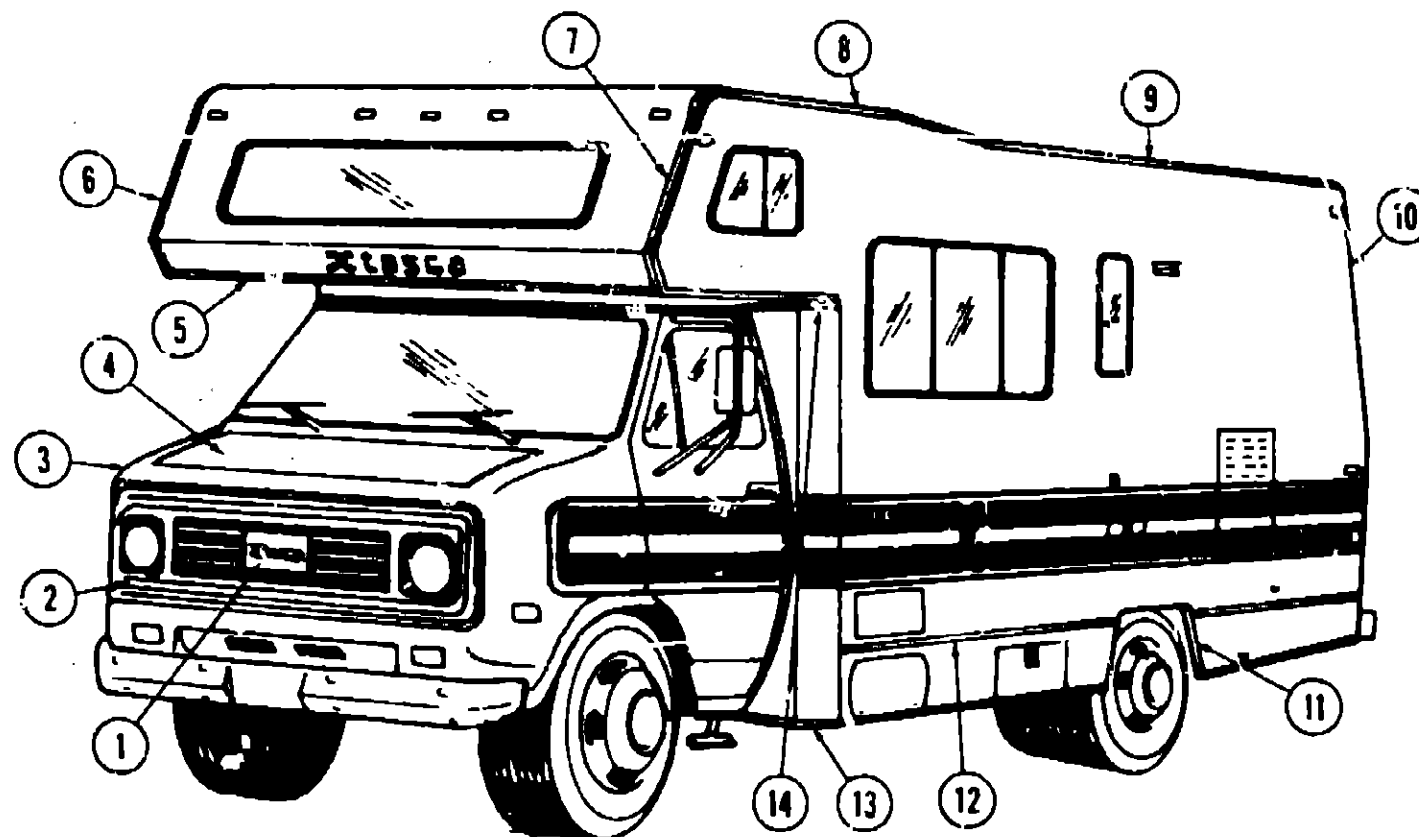
1976 ITASCA TABLE OF CONTENTS

Introduction	A-1
Abbreviations	A-1
Alphabetical Index	A-2 - A-4
C25A	A-5 - B-20
C27AL	B-21 - D-10
C27A	D-11 - E-24
C25C	F-1 - G-12
C24C	G-13 - H-24
C22C	I-1 - J-12

1976 C24C INDEX

Floor Plan	G-13 - G-14
Accessories Group	G-15 - G-16
Bath Group	G-17
Chassis Group	G-18
Curtain, Cushion & Pad Group	G-19 - G-22
Dinette Group	G-23
Driver's Compartment Group	G-24
Electrical Group	H-1 - H-2
Exterior Body Group	H-3 - H-6
Galley Group	H-7
Heating & Air Conditioning Group	H-8
Interior Finish Group	H-9 - H-10
LP Group	H-11
Water & Sewage Group	H-12
Window, Vent & Exterior Door Group	H-13 - H-24

EXTERIOR BODY GROUP



1976 ITASCA TABLE OF CONTENTS

Introduction	A-1
Abbreviations	A-1
Alphabetical Index	A-2 - A-4
C25A	A-5 - B-20
C27AL	B-21 - D-10
C27A	D-11 - E-24
C25C	F-1 - G-12
C24C	G-13 - H-24
C22C	I-1 - J-12

Key	Part Number	U/M	Description
1	048619-01-000	EA	Plate - Grille Cover - Logo
2	046741-01-000	EA	Grille - Plastic - Chrome w/o Decal Stripping
3	040843-01-000	EA	Front End Asm. - Fiberglass - Off White - Includes Hood w/o Front Grille
4	040845-01-000	EA	Hood Asm. - Off White
5	039644-01-000	EA	Trim - Sleeper Board - Off White
	039616-01-000	EA	Hinge - Hood (2 used per hood)
	035388-01-000	EA	Hood Pin Kit - 7/16" x 20 x 3.5" - Long
	007160-01-000	EA	Gasket - Tire Carcass - 3/16" x 2" x 2"
	037449-01-000	EA	Well Nut - 10-32 x .812" Long
6	039635-02-000	EA	Trim - Contour - Sleeper Section - Right - Off White
7	039635-01-000	EA	Trim - Contour - Sleeper Section - Left - Off White
8	039634-01-000	EA	Trim - Contour - Roof - Left - Off White
	039634-02-000	EA	Trim - Contour - Roof - Right - Off White
9	034922-04-000	EA	Trim - Sidewall/Roof - Upper - Left or Right - Off White

Key	Part Number	U/M	Description
10	039633-01-000	EA	Trim - Contour - Backwall - Left - Off White
	039633-02-000	EA	Trim - Contour - Backwall - Right - Off White
11	039624-02-000	EA	Trim - Wheel Well - Rear - Left or Right
12	002444-02-003	EA	Extr. - Feature Strip - Alum. - 16" w/o Insert
	001030-02-002	EA	Insert - Feature Strip - Off White - 21"
	009731-01-000	EA	End Cap - Feature Strip
13	043442-01-000	EA	Trim - Wingwall - Bottom Left
	043442-02-000	EA	Trim - Wingwall - Bottom Right
14	048610-01-000	EA	Trim - Corner - Wingwall - Left
	048610-02-000	EA	Trim - Corner - Wingwall - Right
	002365-02-001	EA	Extr. - U - Channel - 1" serrated x 18" - Anod.
	039629-01-000	FT	Extr. - Vinyl - Sleeper Joint
	043915-01-000	FT	Extr. - Vinyl - "B" Pillar/Wingwall
			Not Illustrated

1976 C24C INDEX

Floor Plan	G-13 - G-14
Accessories Group	G-15 - G-16
Bath Group	G-17
Chassis Group	G-18
Curtain, Cushion & Pad Group	G-19 - G-22
Dinette Group	G-23
Driver's Compartment Group	G-24
Electrical Group	H-1 - H-2
Exterior Body Group	H-3 - H-6
Galley Group	H-7
Heating & Air Conditioning Group	H-8
Interior Finish Group	H-9 - H-10
LP Group	H-11
Water & Sewage Group	H-12
Window, Vent & Exterior Door Group	H-13 - H-24

EXTERIOR BODY GROUP (CONTINUED)

EXTERIOR BODY PANELS AND SHEET ALUMINUM

Key	Part Number	U/M	Description
	039579-01-000	EA	Sleeper Board Asm.
	046804-01-000	EA	Sidewall Asm. - Left
	046805-01-000	EA	Sidewall Asm. - Right
	046806-01-000	EA	Backwall Asm.
	046807-01-000	EA	Roof Asm.
	046807-01-700	EA	Roof Section - Front - Cab Overhang to First Roof Seam
	039155-03-008	EA	Alum. - Off White - Mesa Design - .024" x 36" x 60"
	039155-03-002	EA	Alum. - Off White - Mesa Design - .024" x 36" x 300"
	039155-03-003	EA	Alum. - Off White - Mesa Design - .024" x 36" x 360"
	039155-03-007	EA	Alum. - Off White - Mesa Design - .024" x 48" x 60"
	039155-03-005	EA	Alum. - Off White - Mesa Design - .024" x 48" x 300"
	039155-03-006	EA	Alum. - Off White - Mesa Design - .024" x 48" x 360"
	039155-03-009	EA	Alum. - Off White - Mesa Design - .024" x 12" x 360"
	044487-01-001	EA	Alum. - Mill Finish - No Design (Roof) - 96" x 360"
	039155-07-010	EA	Alum. - Off White - Greyhound Design - 48" x 96"
	001054-01-011	EA	Alum. - Off White - No Design - 48" x 96"

EXTERIOR PAINT

Key	Part Number	U/M	Description
	041561-01-000	EA	Paint - Off White - Acrylic Enamel - 1 Gallon
	041561-03-000	EA	Paint - Off White - Acrylic Enamel - 16 Oz. Aerosol
	041561-04-000	EA	Paint - Off White - Acrylic Lacquer - 1 Gallon
	041563-01-000	EA	Paint - Burnt Orange - Acrylic Enamel - 1 Gallon
	041563-03-000	EA	Paint - Burnt Orange - Acrylic Enamel - 16 Oz. Aerosol
	041565-01-000	EA	Paint - Rally Yellow - Acrylic Enamel - 1 Gallon
	041565-03-000	EA	Paint - Rally Yellow - Acrylic Enamel - 16 Oz. Aerosol
	045681-01-000	EA	Paint - High Gloss Black - Acrylic Enamel - 1 Gallon
	045681-03-000	EA	Paint - High Gloss Black - Acrylic Enamel - 16 Oz. Aerosol
	042933-03-000	EA	Paint - Dark Brown - Acrylic Enamel - 16 Oz. Aerosol
	045812-01-000	EA	Paint - Orange - Acrylic Enamel - 1 Gallon
	045812-03-000	EA	Paint - Orange - Acrylic Enamel - 16 Oz. Aerosol

LABELS AND DECALS

Key	Part Number	U/M	Description
	006023-01-000	EA	Label - Water Only
	006025-01-000	EA	Label - Gas
	006028-01-000	EA	Label - Drain Cap - 2" x 3"
	006031-01-000	EA	Label - Potable Water Only
	006040-01-000	EA	Tag - Gas - Refueling Warning
	006061-01-000	EA	Tag - LP Gas Only
	006062-01-000	EA	Tag - Electrical - 110 Volt Connection
	006187-01-000	EA	Label - Sewage
	006188-01-000	EA	Label - Waste Water
	006199-01-000	EA	Label - Exit - Escape Window
	039288-01-000	EA	Label - Warning Aux. Loading
	041273-02-000	FT	Decal - Stripe - Sidewall - .88" - Black
	046321-01-000	EA	Stencil - Stripe - Front Side
	046323-01-000	EA	Stencil - Logo - Itasca "I"
	046324-01-000	EA	Decal - Stripe - Front Side - Black
	041273-03-000	FT	Decal - Stripe - 1" - Orange
	046325-01-000	EA	Decal - Logo - Itasca Grille
	046764-01-000	EA	Decal - Grille - Accent - Left Hand - Orange
	046764-02-000	EA	Decal - Grille - Accent - Right Hand - Orange
	009092-01-000	EA	Reflector - Stick on - Rectangular - Red
	009093-01-000	EA	Reflector - Stick on - Rectangular - Amber
	046400-01-000	EA	Decal - Logo - Itasca 5.25" High

EXTERIOR BODY GROUP (CONTINUED)

SEALANTS, ADHESIVES AND FASTENERS

Key	Part Number	U/M	Description
	034552-05-000	EA	Sealant - Off White Silicone
	034552-04-000	EA	Sealant - Beige Silicone
	034552-02-000	EA	Sealant - Clear Silicone
	004349-02-000	EA	Sealant - Aluminum Silicone
	004349-01-000	EA	Sealant - Black Silicone
	004342-01-000	EA	Sealant - Weatherban 202 Tube
	004346-02-000	EA	Sealant - White Silicone
	004347-01-000	EA	Sealant - Tufflex
	002316-01-000	FT	Tape - Sealer - 3/32" x 1/8"
	024545-01-000	FT	Tape - Sealer - 1/8" x 5/8" - Black
	004350-01-000	FT	Tape - Sealer - 1/8" x 1" - Formaseal
	004352-01-000	FT	Tape - Sealer - 1/8" x 3/4" - Formaseal
	004355-01-000	FT	Tape - Sealer - 1/8" x 5/8" - Black
	004357-01-000	FT	Tape - Sealer - 1/8" x 5/8" - Adhesive
	002707-02-000	FT	Tape - Sealer - 5/16" x 1/2" - Black Foam
	002707-01-000	FT	Tape - Sealer - 5/16" x 3/4" - Black Foam
	041422-01-000	FT	Tape - Sealer - 1/4" x 1/2"
	004363-01-000	FT	Tape - Sealer - 3/16" x 1/2" - Foam
	004362-01-000	FT	Tape - Sealer - 1/8" x 5/8" - Foam
	009200-01-000	EA	Tape - Furnace - 1 1/2"
	041839-01-000	FT	Tape - Window Latch - 3/4" - Adhesive
	041839-02-000	FT	Tape - Window Latch - 1/2" - Adhesive
	004353-01-000	FT	Tape - Gasket - 1/8" x 3/4" - White
	002825-01-000	FT	Weather Stripping - Roof Vent
	002337-01-000	EA	Adhesive - 3M - 1300 Tube
	004005-01-000	GL	Adhesive - Swifts - Green - Glue (Sidewalls)
	004012-01-000	EA	Adhesive - 3M - 4475 Tube
	004020-01-000	QT	Adhesive - ABS Cement (Plastic Fittings)
	029051-01-000	EA	Adhesive - Spray Vinyl
	042401-02-000	EA	Screw - 8 - 18 x 3/4" SDPH Off White
	042403-02-000	EA	Screw - SF/DR - 8 - 18 - 1" SDPH Off White
	005058-01-000	EA	Screw - Wood - 12 - 11 x 3" P.O.H. Zinc

MISCELLANEOUS EXTERNALLY MOUNTED PARTS

Key	Part Number	U/M	Description
	036579-03-000	EA	Fuel Fill - Recessed - Single - Off White
	011124-01-000	EA	Plumbing Seal - Roof Vent - 1 1/4" White
	011129-01-000	EA	Plumbing Seal - Roof Vent - 1 1/2" White
	010230-02-000	EA	Fill - City Water - Recessed - Off White - w/Screw on Cap
	011020-01-000	EA	Fill - Water - Recessed - Off White
	009126-01-000	EA	Handle - Assist - Metal Ext.
	009101-01-000	EA	Holder - Entry Door - Male
	009101-02-000	EA	Holder - Entry Door - Female

1976 ITASCA TABLE OF CONTENTS

Introduction	A-1
Abbreviations	A-1
Alphabetical Index	A-2 - A-4
C25A	A-5 - B-20
C27AL	B-21 - D-10
C27A	D-11 - E-24
C25C	F-1 - G-12
C24C	G-13 - H-24
C22C	I-1 - J-12

1976 C24C INDEX

Floor Plan	G-13 - G-14
Accessories Group	G-15 - G-16
Bath Group	G-17
Chassis Group	G-18
Curtain, Cushion & Pad Group	G-19 - G-22
Dinette Group	G-23
Driver's Compartment Group	G-24
Electrical Group	H-1 - H-2
Exterior Body Group	H-3 - H-6
Galley Group	H-7
Heating & Air Conditioning Group	H-8
Interior Finish Group	H-9 - H-10
LP Group	H-11
Water & Sewage Group	H-12
Window, Vent & Exterior Door Group	H-13 - H-24

GALLEY GROUP

GALLEY CABINETRY

Key	Part Number	U/M	Description
	046786-01-701	EA	Cabinet Asm. - Galley - w/o Countertop, Doors, Drawers or Hardware
	046786-01-700	EA	Countertop Asm. - Galley Cabinet - Butcher Block
	027671-04-000	EA	Sink Cover - Butcher Block
	042820-10-000	EA	Bread Board - Butcher Block
	045849-07-700	EA	Door Asm. - Galley Cabinet - 10 3/8" x 21 5/8" - w/o Hardware
	045851-03-700	EA	Drawer Asm. - Galley Cabinet - 5 1/4" x 20 1/8" - w/o Hardware
	048340-01-000	EA	Shelf - Spice
	047164-01-000	EA	Cabinet Asm. - Galley Overhead - w/o Doors or Hardware
	047155-01-700	EA	Door Asm. - Galley Overhead Cabinet - 9" x 21" - w/o Hardware
	047167-01-700	EA	Countertop Asm. - Rear Wardrobe Cabinet - Butcher Block
	045849-12-700	EA	Door Asm. - Rear Wardrobe Cabinet - 7 3/16" x 16" - w/o Hardware
	045850-04-700	EA	Door Asm. - Rear Wardrobe Cabinet - 14 5/8" x 41 15/16" - w/o Hardware
	045849-04-700	EA	Door Asm. - Refrigerator Cabinet - 17 1/2" x 22 1/4" - w/o Hardware

GALLEY HARDWARE AND APPLIANCES

Key	Part Number	U/M	Description
	011032-01-000	EA	Sink - Stainless Steel - Double w/Bolts
	011053-01-000	EA	Faucet - 8" - Swing Spout
	011053-01-700	EA	Aerator - Swing Spout Faucet
	011085-01-000	EA	Strainer - Sink
	024670-01-000	EA	Hood - Range - Powered - Strawsine
**	034545-01-000	EA	Refrigerator - Winnebago - Gas/Electric - W6EG
**	034542-01-000	EA	Refrigerator - Winnebago - Gas/Electric - W8EG
**	019175-01-000	EA	Refrigerator - Sibir - Gas/Electric - ET150
**	0412174-01-000	EA	Refrigerator - Sibir - Gas/Electric - ET230
**	041195-01-000	EA	Range - Coleman - 4 Burner - Small Oven

**The illustrated parts breakdown for this item is provided on the Common Items Fiche.

HEATING AND AIR CONDITIONING GROUP

Key	Part Number	U/M	Description
	048231-01-000	EA	Auto Air - 350 C.I.D. - AMC
	041443-01-000	EA	A/C General Package - AMC
	041444-01-000	EA	A/C Condenser Package - 350 C.I.D. - AMC
	041445-01-000	EA	A/C Installation Package - AMC
	041446-01-000	EA	A/C Evaporator Package - 350 C.I.D. - AMC
	047036-01-000	EA	A/C Compressor Mount Package - 350 C.I.D. - AMC
	048231-02-000	EA	Auto Air - 350 C.I.D. - ARA
	051768-01-000	EA	A/C - Compressor Mount Package - 350 C.I.D. - ARA
	051769-01-000	EA	A/C - Evaporator Package - 350 C.I.D. - ARA
	051770-01-000	EA	A/C - Compressor - 350 C.I.D. - ARA
	051771-01-000	EA	A/C - Condenser Asm. - 350 C.I.D. - ARA
	009198-01-000	FT	Duct - Flexible - 4" x 25" (Furnace)
	024985-01-000	EA	Register - Heat w/Damper - 9.9" x 4.8"
	031604-01-000	EA	Bonnet - Heat Register
	050783-01-000	EA	Vent Package Coleman - Furnace - 4300 Series
	041606-01-000	EA	Vent Package Coleman - Furnace - 4200 Series
	009200-01-000	EA	Tape - Furnace - 1 1/2"
	039505-02-000	EA	Thermostat - Wall Mount - Coleman
**	041603-01-000	EA	Furnace - 23,000 BTU - Under Counter Mount - Coleman - 4225
**	041604-01-000	EA	Furnace - 28,000 BTU - Under Counter Mount - Coleman - 4230
**	041605-01-000	EA	Furnace - 31,000 BTU - Under Counter Mount - Coleman - 4235
**	049774-01-000	EA	Air Conditioner - 110 Volt - Roof Mount - 13,500 BTU - Ivory - Coleman (w/o Inside Shroud)
**	049775-01-000	EA	Shroud Asm. - Ceiling - Inside Roof Air - Cool Only - 13,500 BTU - Coleman
**	049776-01-000	EA	Shroud Asm. - Ceiling - Inside Roof Air - Heat and Cool - 13,500 BTU - Coleman
**	049777-01-000	EA	Air Conditioner - 110 Volt - Roof Mount - 11,000 BTU - Ivory - Coleman (w/o Inside Shroud)
**	049778-01-000	EA	Shroud Asm. - Ceiling - Inside - Roof Air - Cool Only - 11,000 BTU - Coleman

**The illustrated parts breakdown for this item is provided on the Common Items Fiche.

1976 ITASCA TABLE OF CONTENTS

Introduction	A-1
Abbreviations	A-1
Alphabetical Index	A-2 - A-4
C25A	A-5 - B-20
C27AL	B-21 - C-10
C27A	D-11 - E-24
C25C	F-1 - G-12
C24C	G-13 - H-24
C22C	I-1 - J-12

1976 C24C INDEX

Floor Plan	G-13 - G-14
Accessories Group	G-15 - G-16
Bath Group	G-17
Chassis Group	G-18
Curtain, Cushion & Pad Group	G-19 - G-22
Dinette Group	G-23
Driver's Compartment Group	G-24
Electrical Group	H-1 - H-2
Exterior Body Group	H-3 - H-6
Galley Group	H-7
Heating & Air Conditioning Group	H-8
Interior Finish Group	H-9 - H-10
LP Group	H-11
Water & Sewage Group	H-12
Window, Vent & Exterior Door Group	H-13 - H-24

INTERIOR FINISH GROUP

PANELING AND COUNTERTOP MATERIALS

Key	Part Number	U/M	Description
	039188-01-000	SF	Paneling - 707 Hickory - 48" x 96" (32SF)
	045903-01-000	SF	Paneling - 825 Buff - 48" x 96" (32SF)
	000720-02-000	SF	Paneling - White Stucco - 48" x 92 3/4"
	000726-06-000	EA	Batt Strip - 707 Hickory
	047354-01-000	EA	Batt Strip - 825 Buff
	000724-01-000	EA	Batt Strip - White Stucco
	037682-01-000	SF	Plastic Laminate - 48" x 96" - Butcher Block (32SF)
	037682-01-008	E/A	Plastic Laminate - 48" x 48" - Butcher Block
	037682-01-009	EA	Plastic Laminate - 1.19" x 96" - Butcher Block

FABRICS AND CARPET

Key	Part Number	U/M	Description
	043618-01-000	YD	Fabric - Upholstery - Rust (Fire and Grass)
	043618-02-000	YD	Fabric - Upholstery - Gold (Aztec Gold)
	043618-03-000	YD	Fabric - Upholstery - Beige (Saddle)
	043619-01-000	YD	Fabric - Drapery - Rust (Fire and Grass)
	043619-02-000	YD	Fabric - Drapery - Gold (Aztec Gold)
	043619-03-000	YD	Fabric - Drapery - Beige (Saddle)
	042411-01-000	YD	Vinyl - Non Expanded - 27 Oz. - Brown Bostonian
	042411-02-000	YD	Vinyl - Expanded - 28 Oz. - Brown Bostonian
	041210-03-000	SY	Carpet - Orange Morning Dew - Rust (Fire and Grass)
	043635-01-000	SY	Carpet - Coffee Brown Morning Dew - Gold (Aztec Gold)
	043635-02-000	SY	Carpet - Beige Morning Dew - Beige (Saddle)

INTERIOR MOLDINGS AND TRIM

Key	Part Number	U/M	Description
	022756-01-000	EA	Cover - Air Conditioner Wire - Plastic
	024700-03-000	EA	Cover - Sidewall Roll Bar - White
	024700-04-000	EA	Cover - Sidewall Roll Bar - 707 Hickory
	039512-01-000	EA	Cover - Hat Section - White
	039512-02-000	EA	Cover - Hat Section - 707 Hickory
	039512-06-000	EA	Cover - Hat Section - Ivory
	034113-03-000	EA	Cover - Corner - Support Bar - Dark Brown
	040025-01-000	EA	Cover - Corner - Hat Section/Hat Section
	040026-01-000	EA	Cover - Corner - Hat Section/Tube
	042886-1-000	EA	Cover - Plastic - Tube/Tube
	002830-01-002	EA	Extr. - U-Channel - Pipe Cover - 17 FT
	009778-01-000	FT	U-Channel - 1" - Dark Brown
	009779-01-000	FT	U-Channel - 1 1/8" - Dark Brown
	009815-02-000	FT	T-Molding - 3/4" Brown
	009814-06-000	FT	T-Molding - Tan Butcher Block
	009812-03-000	FT	Molding - Plastic - Corner - Outside - .5"
	033535-03-000	FT	Molding Asm. - Shelf - 707 Hickory
	009767-01-000	FT	Wetling - Brown
	042414-01-000	FT	Trim - Accent - Brown Bostonian
	002766-02-000	EA	Extr. - Angle - 1" x 1 1/2" x 17 Feet - Stiffener

INTERIOR FINISH GROUP (CONTINUED)

CABINETS AND TABLE HARDWARE

Key	Part Number	U/M	Description
	041826-01-000	EA	Pull - Drawer - 3 1/2" - Jamestown
	041917-01-000	EA	Kit - Latch - Overhead Cabinet - Door - Jamestown
	041918-01-000	EA	Kit - Latch - Lower Cabinet Door
	041931-01-000	EA	Kit - Cabinet Door Hinge
	009047-01-000	EA	Support - Overhead Door
	047744-01-000	EA	Kit - Drawer Glide
	037688-01-000	FT	Rail - Drawer Glide - V
	041838-01-000	EA	Screw - 5 x 5/8" - POH - Antique Brass
	009151-01-000	EA	Warp Guard - 48"
	041864-01-000	EA	Hinge - 1 1/2" x 16" w/Holes - Folding Table Option
	024283-01-000	EA	Clip - 1" - 1.125" O.D. Tube - Black
	047842-01-000	EA	Kit - Dinette Table Leg
	047809-02-000	EA	Kit - Dinette Hardware - Wall Mount

CURTAIN HARDWARE

Key	Part Number	U/M	Description
	052327-04-236	EA	Curtain Track - Brown Alum. - 89" w/Holes
	018031-42-000	EA	Curtain Track - "L" Rod - 90" Alum.
	009220-01-000	EA	Rod - Curtain - Flat - Extends 18" - 28"
	009223-01-000	EA	Rod - Curtain - Flat - Extends 32" - 51"
	009223-02-000	EA	Rod - Curtain - Flat - Extends 48" - 84"
	042439-01-000	EA	Bracket - Curtain Rod - Single
	035429-06-000	EA	Track - Wraparound Curtain - Left
	035429-05-000	EA	Track - Wraparound Curtain - Right
	009107-01-000	EA	Guide - Nylon Snap
	029100-01-000	EA	Hook - Pin - Curtain
	009701-01-000	EA	Carrier - Curtain - "L" Rod
	009702-01-000	EA	End Stop - Curtain - "L" Rod

MISCELLANEOUS PARTS

Key	Part Number	U/M	Description
	040069-01-000	EA	Mat - Door - Black Rubber - 10 1/2" x 26"
	034689-03-000	EA	Cover - Screw - PPH - 10 - Ivory
	009112-01-000	EA	Flange - 1" Rod - Chrome - Wardrobe
	002522-01-011	EA	Extr. - Bunk Rail - 10 Feet
	041476-01-000	EA	Track - Slide - PVC - 12 Feet

1976 ITASCA TABLE OF CONTENTS

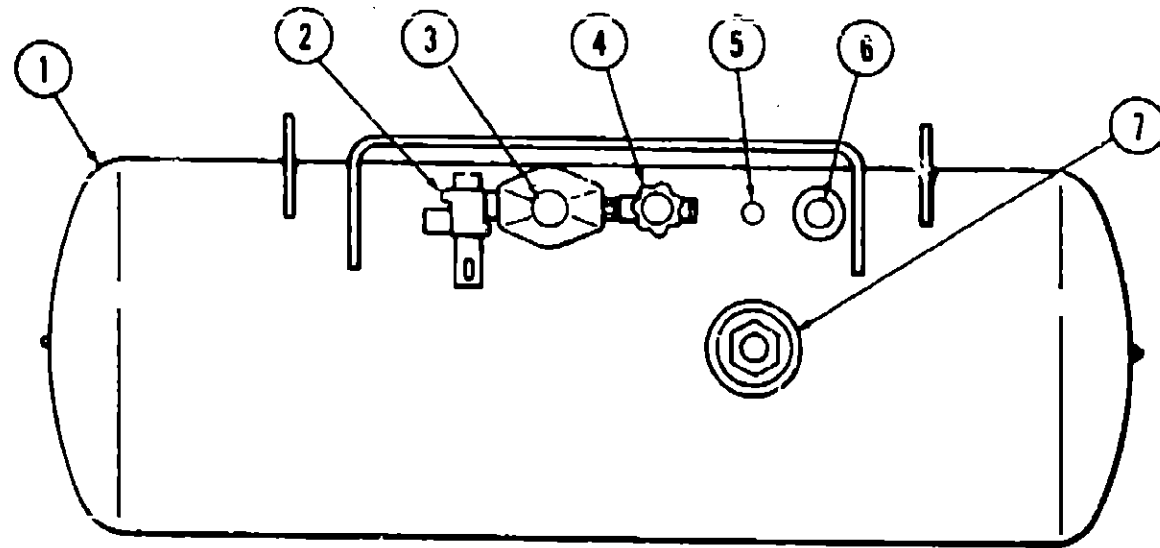
Introduction	A-1
Abbreviations	A-1
Alphabetical Index	A-2 - A-4
C25A	A-5 - B-20
C27AL	B-21 - D-10
C27A	D-11 - E-24
C25C	F-1 - G-12
C24C	G-13 - H-24
C22C	I-1 - J-12

1976 C24C INDEX

Floor Plan	G-13 - G-14
Accessories Group	G-15 - G-16
Bath Group	G-17
Chassis Group	G-18
Curtain, Cushion & Pad Group	G-19 - G-22
Dinette Group	G-23
Driver's Compartment Group	G-24
Electrical Group	H-1 - H-2
Exterior Body Group	H-3 - H-6
Galley Group	H-7
Heating & Air Conditioning Group	H-8
Interior Finish Group	H-9 - H-10
LP Group	H-11
Water & Sewage Group	H-12
Window, Vent & Exterior Door Group	H-13 - H-24

LP GROUP

WATER AND SEWAGE GROUP



Key	Part Number	U/M	Description
1	040421-01-000	EA	Tank - LP - Frame Mount - 83 Pound
2	047221-01-000	EA	Detector - LP Gas Leak
3	024712-01-000	EA	Cover - LP Regulator
•	052163-01-000	EA	Regulator - Manual - LP Gas - 2 Stage
4	040421-01-703	EA	Valve - Vapor Relief
5	040421-01-700	EA	Gauge - Liquid Level - 20% LP
6	040421-01-701	EA	Valve - Filler - LP
•	040421-01-702	EA	Cap - Plastic Fill Valve
7	040421-01-707	EA	Gauge - Float w/Visible Dial
•	040421-01-704	EA	Gauge - Float w/Electrical Transmitter Dial
•	040421-01-706	EA	Dial - Visible Face
•	040421-01-705	EA	Dial - Transmitter - 0 - 90 Ohm
•	045703-03-000	EA	Hose Asm. - LP - 3/8" I.D. x 14"
•	047737-02-000	EA	Support - LP - 89.25
•	047737-03-000	EA	Support - LP Tank - 30.50"
•	Not Illustrated		

Key	Part Number	U/M	Description
	040539-01-000	EA	Kit - Repair - 3/8" O.D. Plastic Tube
	040540-01-000	EA	Kit - Repair - 1/2" O.D. Plastic Tube
	040541-01-000	EA	Kit - Repair - 5/8" O.D. Plastic Tube
	041279-02-000	EA	Pump - Water Flow 2.8 G.P.M. - PAR
	039647-02-000	EA	Filter - Water Pump 1/2" MPT
	032909-01-000	EA	Valve - Stool - Plastic 3/8" x 1/2" FPT
	039618-01-000	EA	Riser Asm. - 3/8" O.D. x 24" Tube
	039618-02-000	EA	Riser Asm. - 3/8" O.D. x 36" Tube
	039618-04-000	EA	Riser Asm. - 3/8" O.D. x 72" Tube
	039618-05-000	EA	Riser Asm. - 3/8" O.D. x 48" Tube
	041819-01-000	EA	Nut and Cone - Plastic 1/2" O.D. Tube
	046128-01-000	EA	Valve - Drain - Plastic 1/2" FPT
	039807-01-000	EA	Valve - Drain - Brass - 1/2" MPT
	007137-01-000	EA	Clamp - Worm Gear - 1 5/16" - 2 1/4"
	007161-01-000	EA	Clamp - Spring Type - 1 1/2"
	007134-01-000	EA	Clamp - Hose - Spring Type - 9/16"
	011091-01-000	EA	Waste - Continuous - Double Sink 11 7/8"
	011086-01-000	EA	P-Trap - Plastic - 1 1/4"
	010205-01-000	EA	Valve - Sanitary Thetford 3XB
	047246-01-000	EA	Handle - Extension - Sewer Valve 43"
	047247-01-000	EA	Handle - Extension - Sewer Valve 19"
	010209-06-000	EA	Handle - Extension - Sewer Valve - 11.25"
	046524-01-000	EA	Kit - Plastic Fittings - Holding Tank (For use with blank holding tank or tank repairs)
	050780-01-000	EA	Coupler - Rubber - 3" Dia. x 3"
	037845-01-000	FT	Tape - Butyl - 3/16" Bead Black
	046524-02-000	EA	Kit - Plastic Fittings - Water Tank (For use with blank water tank or tank repairs)
	004020-01-000	QT	Adhesive - ABS Cement
	010201-01-000	EA	Hose - Sewer 3" x 10 Ft. w/Clamp
	010235-01-000	EA	Cap - Sewage 3"
	010236-01-000	EA	Adapter - Hose 3" Sewage
	010234-01-000	EA	Adapter - Bayonet
	040552-07-000	EA	Tank Asm. - Holding 20 Gallon w/Fittings
	040552-01-000	EA	Tank - Holding 20 Gallon w/o Fittings
	041155-07-000	EA	Tank Asm. - Holding 28 Gallon w/Fittings
	041155-01-000	EA	Tank - Holding 28 Gallon w/o Fittings
	046942-02-000	EA	Tank Asm. - Water 45 Gallon w/Fittings
	046942-01-000	EA	Tank - Water 45 Gallon w/o Fittings
	031992-01-000	EA	Water Heater - 6 Gallon - w/Motor Aid - Atwood - GH6
	051392-01-000	EA	Water Heater - 6 Gallon - w/Motor Aid - Atwood - GH63

**The illustrated parts breakdown for this item is provided on the Common Items Fiche.

**1976 ITASCA
TABLE OF CONTENTS**

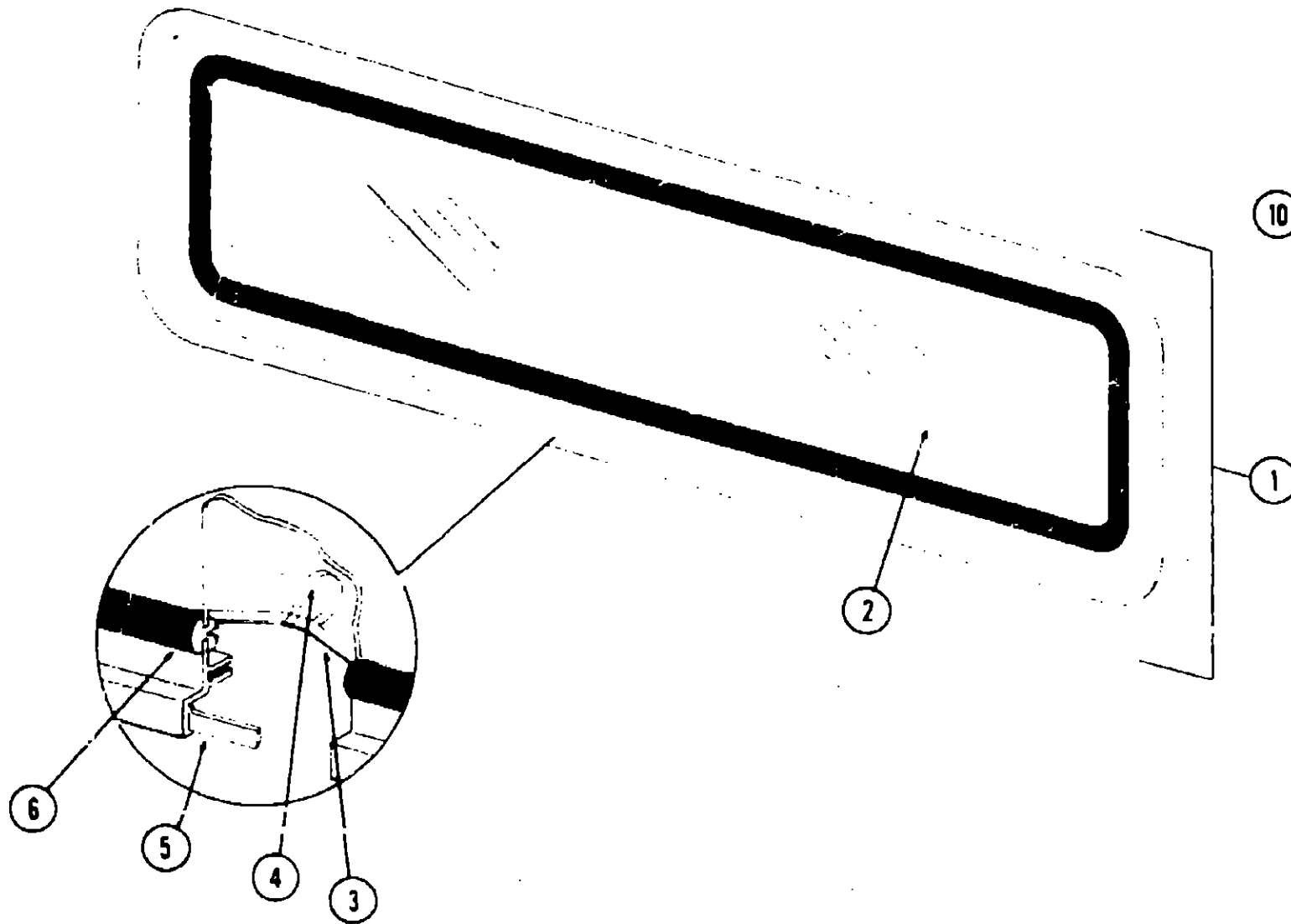
Introduction	A-1
Abbreviations	A-1
Alphabetical Index	A-2 - A-4
C25A	A-5 - B-20
C27AL	B-21 - D-10
C27A	D-11 - E-24
C25C	F-1 - G-12
C24C	G-13 - H-24
C22C	I-1 - J-12

**1976 C24C
INDEX**

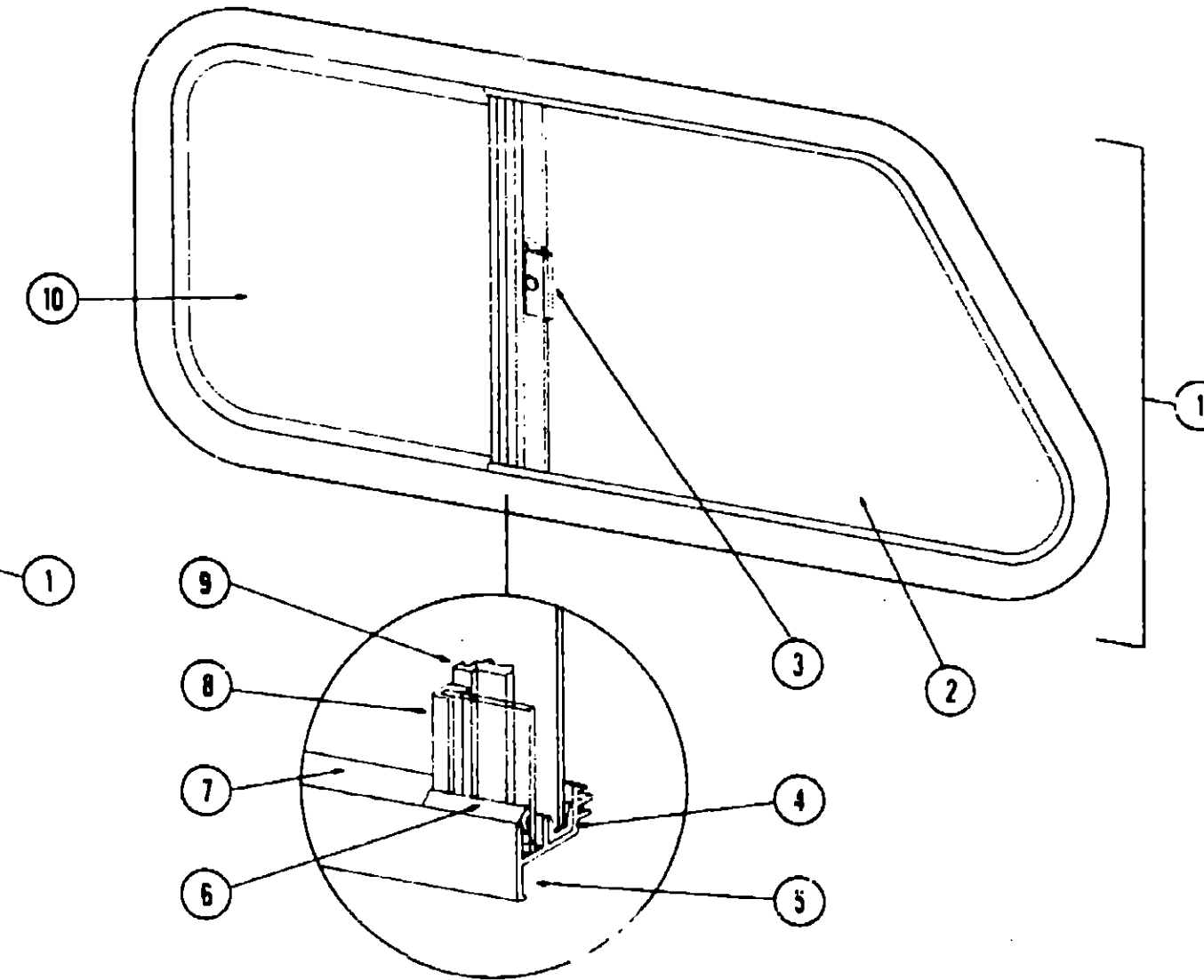
Floor Plan	G-13 - G-14
Accessories Group	G-15 - G-16
Bath Group	G-17
Chassis Group	G-18
Curtain, Cushion & Pad Group	G-19 - G-22
Dinette Group	G-23
Driver's Compartment Group	G-24
Electrical Group	H-1 - H-2
Exterior Body Group	H-3 - H-6
Galley Group	H-7
Heating & Air Conditioning Group	H-8
Interior Finish Group	H-9 - H-10
LP Group	H-11
Water & Sewage Group	H-12
Window, Vent & Exterior Door Group	H-13 - H-24

WINDOW, VENT AND EXTERIOR DOOR GROUP

WINDOW, VENT AND EXTERIOR DOOR GROUP (CONTINUED)



Key	Part Number	U/M	Description
1	020754-03-000	EA	Window Asm. - Escape - 23" x 68" Black Anod. (w/o Inside Frame)
2	002178-01-000	EA	Glass - 1/8" x 19.61" x 64.80"
3	002285-01-000	FT	Weatherstrip - Filler - Black
4	020095-01-000	EA	Slip Ring - Pull
5	004363-01-000	FT	Tape - Foam - 3/16" x 1/2" - Gray
6	002282-01-000	FT	Weatherstrip - Window - .125" - Black
	020753-04-000	EA	Frame - Window - Inside - Escape - 23" x 68" (not included in assembly)
	006199-01-000	EA	Label - Exit - Escape Window
			Not Illustrated



Key	Part Number	U/M	Description
1	048632-03-000	EA	Window Asm. - Bunk - Slanted Slider - Right w/o inside Frame
	040632-04-000	EA	Window Asm. - Bunk - Slanted Slider - Left - w/o Inside Frame
2	040919-01-000	EA	Glass - 1/8" x 11.98" x 19.42" - Gray - Stationary
3	047369-01-700	EA	Latch - Window - Plastic w/Fastener
4	002324-01-000	FT	Channel - Weatherstrip - Glass Run - 1/8" Glass
5	004363-01-000	FT	Tape - Foam - 3/16" x 1/2" - Gray
6	002309-02-000	FT	Spline - Glass - 1/8" - Black
7	024096-02-000	FT	Seal - Window Channel - Black
8	002390-02-001	EA	Holder - Glass Seal - Extr. - Anod.
9	041894-10-000	EA	Mullion - 13" - Clear Anod.
10	047815-01-000	EA	Glass - 1/8" x 11.81" x 11.98" - Gray
	040916-01-000	EA	Frame - Window - Inside - Right (Not included in assembly)
	040916-02-000	EA	Frame - Window - Inside - Left (Not included in assembly)
	023713-02-000	EA	Cover - Weephole - Black Plastic
	002298-01-000	FT	Spline - Gray - .130" Dia. (Screen)
	002292-01-000	SF	Screen - Window - 20" - Gray
			Not Illustrated

**1976 ITASCA
TABLE OF CONTENTS**

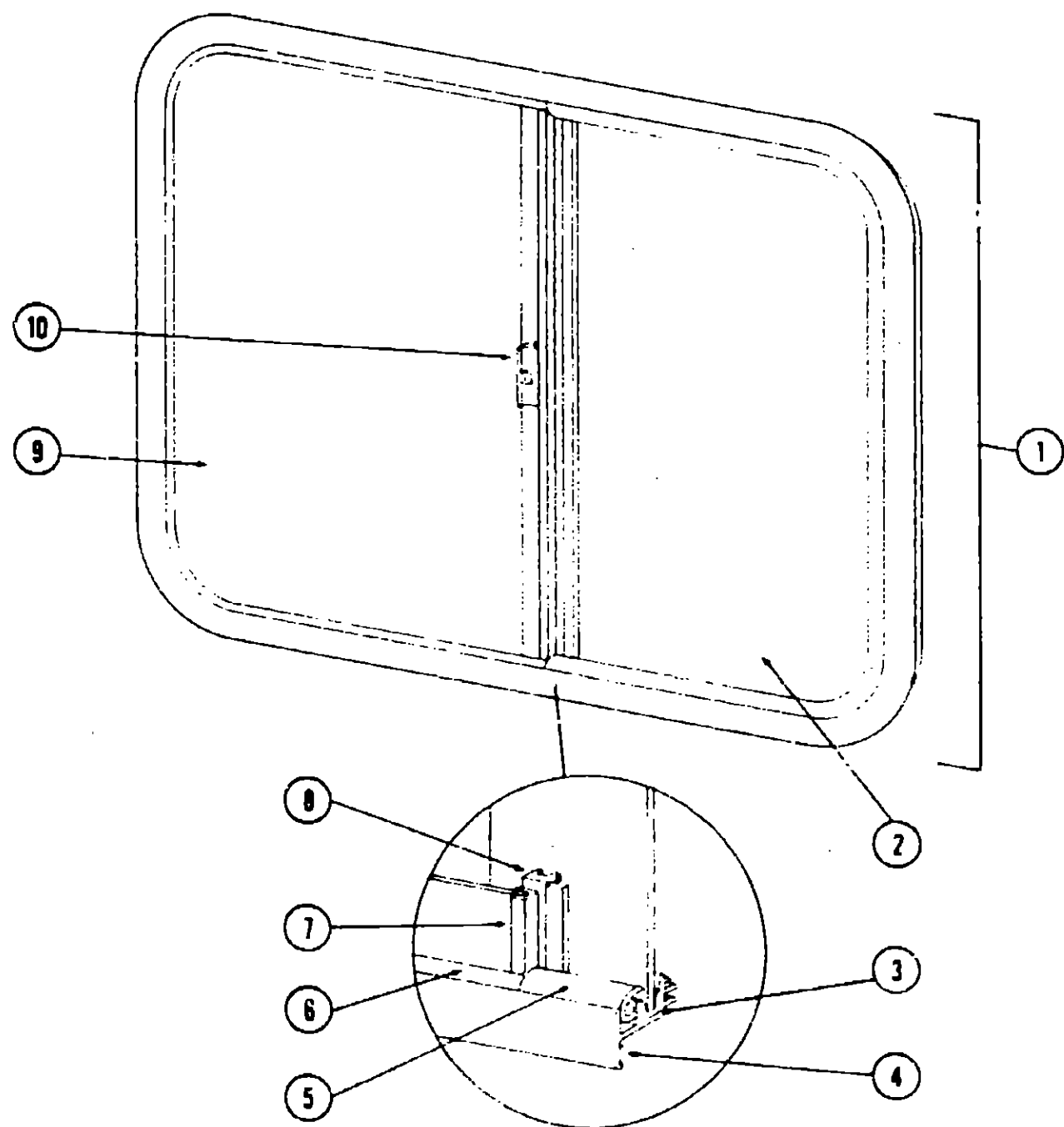
Introduction	A-1
Abbreviations	A-1
Alphabetical Index	A-2 - A-4
C25A	A-5 - B-20
C27AL	B-21 - D-10
C27A	D-11 - E-24
C25C	F-1 - G-12
C24C	G-13 - H-24
C22C	I-1 - J-12

**1976 C24C
INDEX**

Floor Plan	G-13 - G-14
Accessories Group	G-15 - G-16
Bath Group	G-17
Chassis Group	G-18
Curtain, Cushion & Pad Group	G-19 - G-22
Dinette Group	G-23
Driver's Compartment Group	G-24
Electrical Group	H-1 - H-2
Exterior Body Group	H-3 - H-6
Galley Group	H-7
Heating & Air Conditioning Group	H-8
Interior Finish Group	H-9 - H-10
LP Group	H-11
Water & Sewage Group	H-12
Window, Vent & Exterior Door Group	H-13 - H-24

WINDOW, VENT AND EXTERIOR DOOR GROUP (CONTINUED)

Key	Part Number	U/M	Description
1	048531-11-000	EA	Window Asm. - Right Single Slider - 25" x 29" - Black Anod. w/Plastic Latch (w/o Inside Frame)
	048631-12-000	EA	Window Asm. - Left Single Slider - 25" x 29" - Black Anod. w/Plastic Latch (w/o Inside Frame)
2	047312-01-000	EA	Glass - Sliding 3/16" x 24" x 13.68" (used w/Plastic Latch)
	002156-02-000	EA	Glass - Sliding - 3/16" x 24" x 13.68" (used w/Alum. Latch)
3	042077-01-000	FT	Channel - Weatherstrip - Glass Run - 3/16" Glass
4	004363-01-000	FT	Tape - Foam - 3/16" x 1/2" - Gray
5	041982-02-000	FT	Seal - Window Channel - Black
6	050216-02-000	FT	Spline - Glass - 3/16" - Black
7	002369-03-201	EA	Holder - Glass Seal - Anod. Black
8	041894-04-000	EA	Mullion - Slider Window - 25" - Black Anod.
9	002184-02-000	EA	Glass - 3/16" x 24" x 16.531" - Stationary
10	047369-01-700	EA	Latch - Window - Plastic w/Fastener
	023275-04-000	EA	Latch - Window - Alum.
	042147-03-000	EA	Frame - Inside - Single Slider Window - 25" x 29" (not included in assembly)
	023713-02-000	EA	Cover - Plastic Weephole - Black
	002298-01-000	FT	Spline - Gray - .130" Dia. (Screen)
	002293-01-000	SF	Screen - Window - 26" - Gray
			Not Illustrated



1976 ITASCA TABLE OF CONTENTS

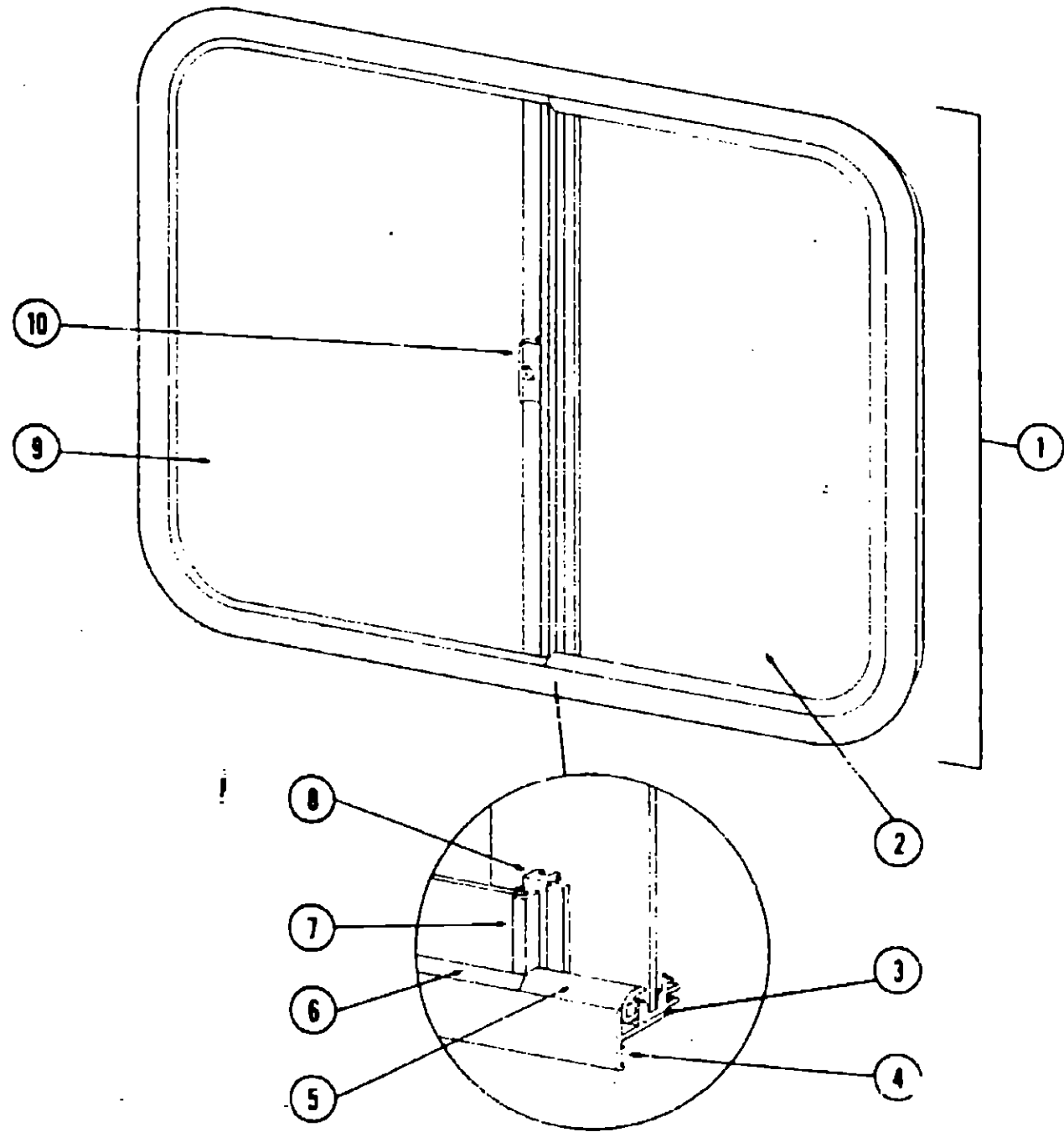
Introduction	A-1
Abbreviations	A-1
Alphabetical Index	A-2 - A-4
C25A	A-5 - B-20
C27AL	B-21 - D-10
C27A	D-11 - E-24
C25C	F-1 - G-12
C24C	G-13 - H-24
C22C	I-1 - J-12

1976 C24C INDEX

Floor Plan	G-13 - G-14
Accessories Group	G-15 - G-16
Bath Group	G-17
Chassis Group	G-18
Curtain, Cushion & Pad Group	G-19 - G-22
Dinette Group	G-23
Driver's Compartment Group	G-24
Electrical Group	H-1 - H-2
Exterior Body Group	H-3 - H-6
Galley Group	H-7
Heating & Air Conditioning Group	H-8
Interior Finish Group	H-9 - H-10
LP Group	H-11
Water & Sewage Group	H-12
Window, Vent & Exterior Door Group	H-13 - H-24

WINDOW, VENT AND EXTERIOR DOOR GROUP (CONTINUED)

Key	Part Number	U/M	Description
1	046631-04-000	EA	Window Asm. - Left Single Slider - 20" x 25" - Black Anod. w/Plastic Latch (w/o Inside Frame)
2	047820-01-000	EA	Glass - Sliding - 1/8" x 19" x 13.68" (Window w/Plastic Latch)
	002240-01-000	EA	Glass - Sliding - 1/8" x 19" x 13.68" (Window w/Aluminum Latch)
3	002324-01-000	FT	Channel - Weatherstrip - Glass Run - 1/8" Glass
4	004363-01-000	FT	Tape - Foam - 1/2" x 3/16" - Gray
5	024096-02-000	FT	Seal - Window Channel - Black (Window w/Plastic Latch)
	002283-02-000	FT	Seal - Window Channel - Black (Window w/Aluminum Latch)
6	002309-02-000	FT	Spline - Glass - 1/8" - Black
7	018025-03-000	EA	Holder - Glass Seal - Black
8	041894-02-000	EA	Mullion - Slider Window - 23" - Black (Window w/Plastic Latch)
	018014-04-000	EA	Mullion - Slider Window - 23" - Black (Window w/Aluminum Latch)
9	002241-02-000	EA	Glass - 1/8" x 12.30" x 19" - Stationary
10	047369-01-700	EA	Latch - Window - Plastic - w/Fastener
	023275-01-000	EA	Latch - Window - Aluminum
	002298-01-000	FT	Spline - Screen - .120" Dia. - Gray
	002293-01-000	SF	Screen - Window - 26" - Gray
	042147-05-000	EA	Frame - Window - Inside - 20" x 25" - Brown (Window w/Plastic Latch)
	035929-03-000	EA	Frame - Window - Inside - 20" x 25" - Brown (Window) w/Aluminum Latch
	023713-02-000	EA	Cover - Weephole - Black Plastic
			Not Illustrated

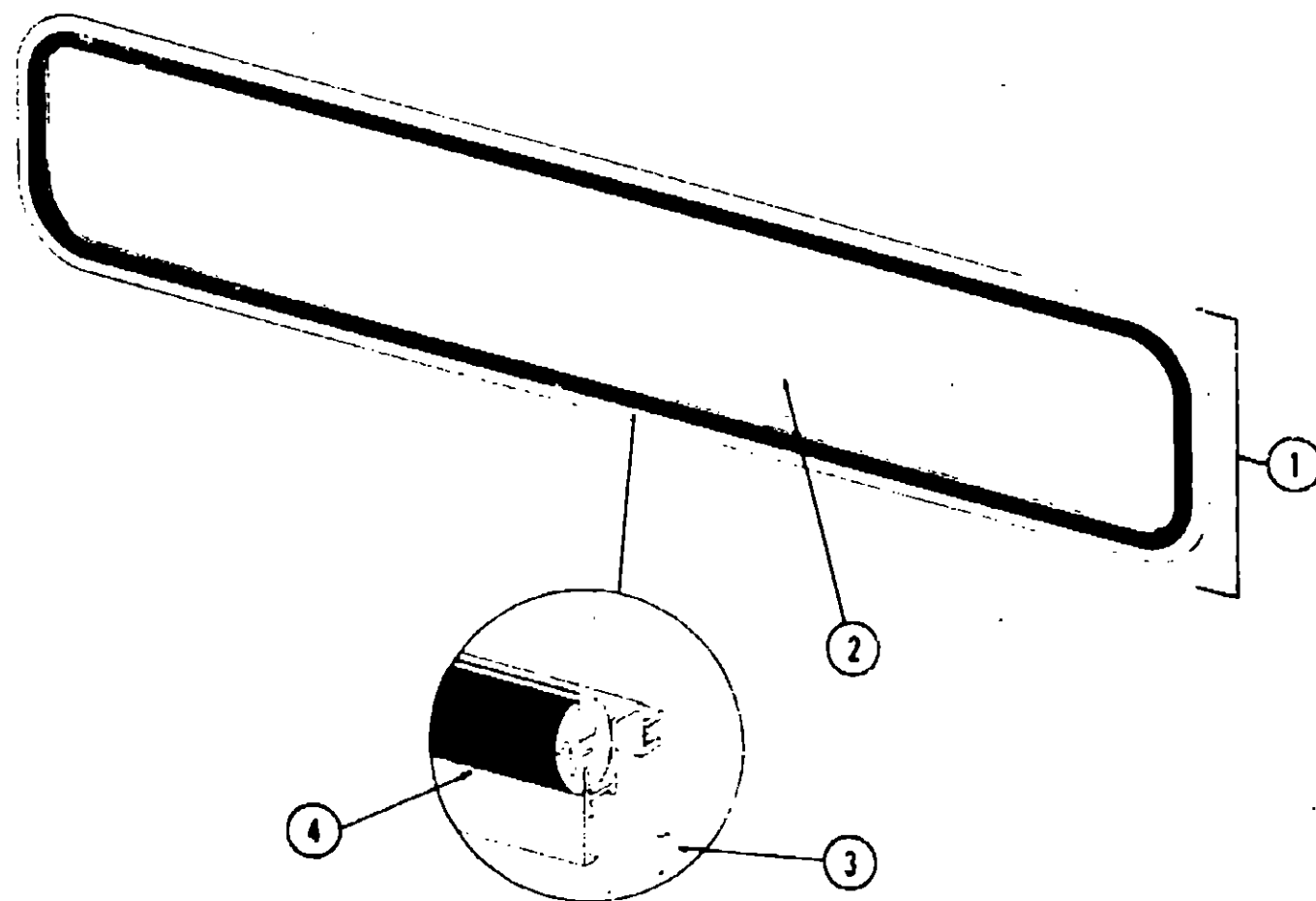


1976 ITASCA TABLE OF CONTENTS

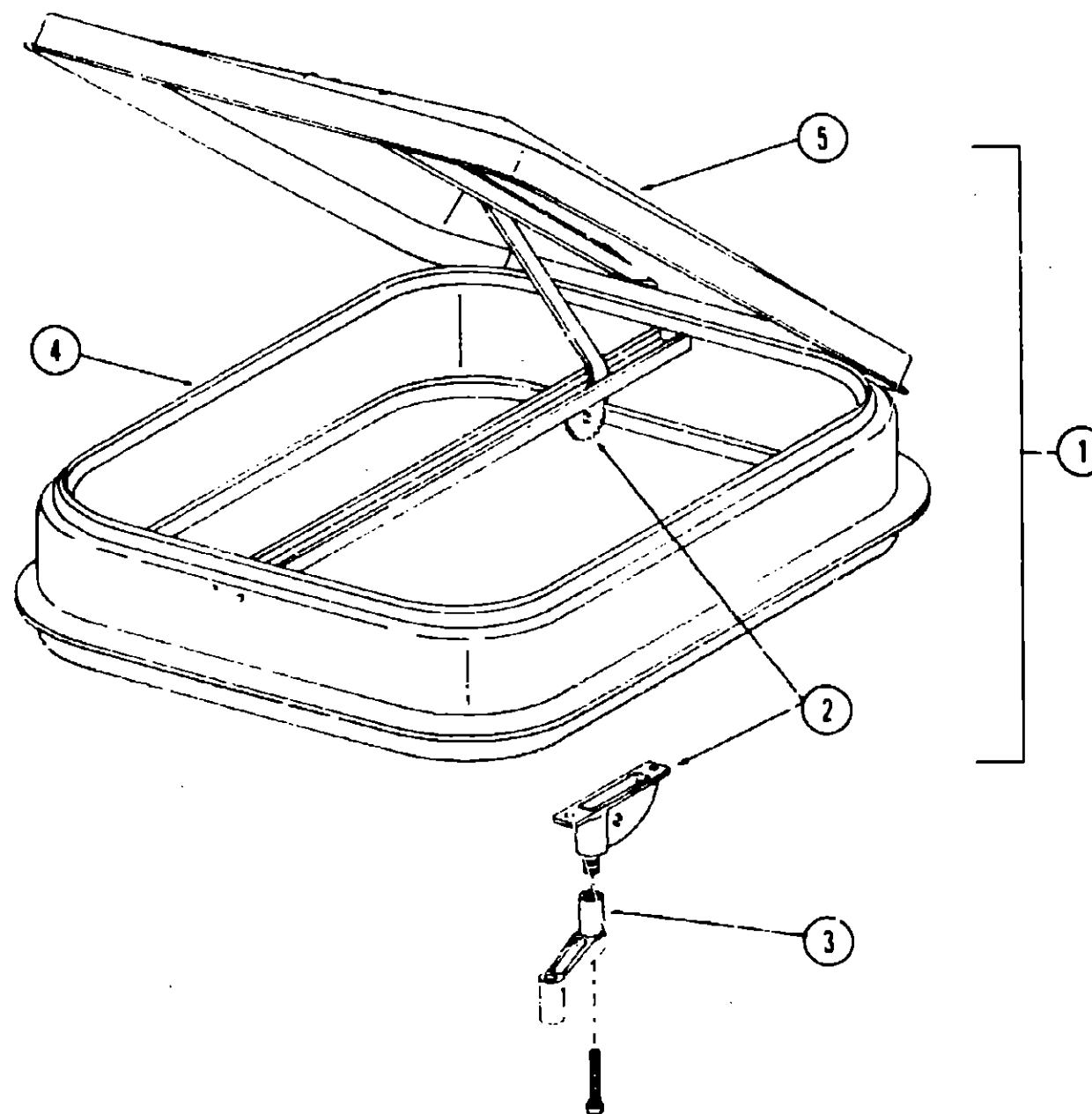
Introduction	A-1
Abbreviations	A-1
Alphabetical Index	A-2 - A-4
C25A	A-5 - E-20
C27AL	B-21 - D-10
C27A	D-11 - E-24
C25C	F-1 - G-12
C24C	G-13 - H-24
C22C	I-1 - J-12

1976 C24C INDEX

Floor Plan	G-13 - G-14
Accessories Group	C-15 - G-16
Bath Group	G-17
Chassis Group	G-18
Curtain, Cushion & Pad Group	G-19 - G-22
Dinette Group	G-23
Driver's Compartment Group	G-24
Electrical Group	H-1 - H-2
Exterior Body Group	H-3 - H-6
Galley Group	H-7
Heating & Air Conditioning Group	H-8
Interior Finish Group	H-9 - H-10
LP Group	H-11
Water & Sewage Group	H-12
Window, Vent & Exterior Door Group	H-13 - H-24



Key	Part Number	U/M	Description
1	041936-01-000	EA	Window Asm. - Front Picture - 14" x 69" - w/o Inside Frame
2	002200-02-000	EA	Glass - TP - Picture Window
3	004363-01-000	FT	Tape - Foam - 3/16" x 1/2" - Sealer
4	002281-01-000	FT	Weatherstrip - Self Seal - .08" Panel x 3/16" - Black
.	037845-01-000	FT	Tape - Butyl - Window - 3/16" - Bead Black
.	041838-01-000	EA	Frame - Inside - Picture Window (not included in assembly)
.	Not Illustrated		



Key	Part Number	U/M	Description
1	048835-01-000	EA	Vent Asm. - Roof - Non Powered - w/c Screen
2	009440-01-000	EA	Gear - Arm - Roof Vent
3	009439-01-000	EA	Crank - Roof Vent
4	002825-01-000	FT	Weatherstrip - Roof Vent
5	046825-01-000	EA	Cover - Plastic - Roof Vent
.	016335-01-000	EA	Screen Asm. - Non Powered Roof Vent - Clear Anod. (Not included in assembly)
.	Not Illustrated		

1976 ITASCA
TABLE OF CONTENTS

Introduction	A-1
Abbreviations	A-1
Alphabetical Index	A-2 - A-4
C25A	A-5 - B-20
C27AL	B-21 - D-10
C27A	D-11 - E-24
C25C	F-1 - G-12
C24C	G-13 - H-24
C22C	i-1 - J-12

1976 C24C
INDEX

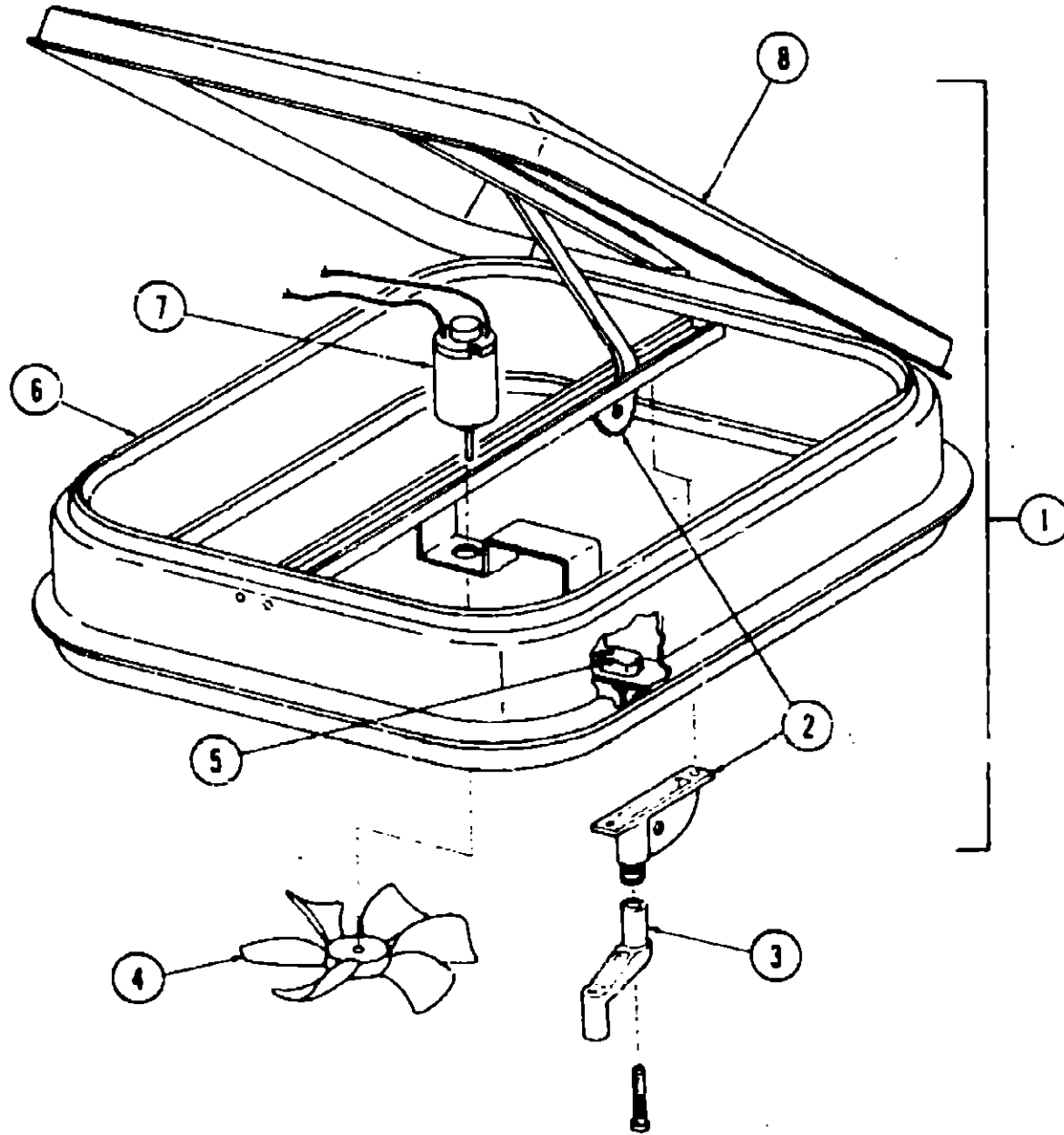
Floor Plan	G-13 - G-14
Accessories Group	G-15 - G-16
Bath Group	G-17
Chassis Group	G-18
Curtain, Cushion & Pad Group	G-19 - G-22
Dinette Group	G-23
Driver's Compartment Group	G-24
Electrical Group	H-1 - H-2
Exterior Body Group	H-3 - H-6
Galley Group	H-7
Heating & Air Conditioning Group	H-8
Interior Finish Group	H-9 - H-10
I.P. Group	H-11
Water & Sewage Group	H-12
Window, Vent & Exterior Door Group	H-13 - H-24

ACCESS DOORS

Key	Part Number	U/M	Description
	044210-01-000	EA	Door Asm. - 6" x 10" - Off White Plastic
	043942-01-000	EA	Latch Asm. - Quarter Turn - Plastic
	037804-05-000	EA	Door Asm. - Battery - Off White
	047187-04-000	EA	Door Asm. - Refrigerator - Left - Off White
	047235-01-000	EA	Door Asm. - Luggage - 21.41" x 17.38" - Off White
	043059-02-000	EA	Door Asm. - Luggage - 37.75" x 20.97" - Off White
	035324-06-000	EA	Door Asm. - Luggage - 35.25" x 9.73" - Off White
	037433-06-000	EA	Door Asm. - Generator - Off White
	047802-01-000	EA	Baffle - Generator Door - 16.75" x 30"
	041312-01-000	FT	Seal - Bulb - "E" Section
	047898-01-000	FT	Seal - Rubber - Bulb Type - Luggage Door
	017945-02-000	EA	Holder Asm. - Battery and Luggage Door
	033084-01-000	EA	Kit - Twist Type Lock Asm. - w/Clip
	047305-01-000	EA	Lock Asm. - Key Type w/Clip

VENTS

Key	Part Number	U/M	Description
	009407-01-000	EA	Vent Asm. - Base - Refrigerator Vent - w/o Cover
	033778-01-000	EA	Cover - Plastic - Refrigerator Vent
	003213-03-000	EA	Vent - Stovehood - Outside w/o Damper - Off White - Strawsine



Key	Part Number	U/M	Description
1	048786-01-000	EA	Vent Asm. - Roof - Powered - w/o Screen
2	009440-01-000	EA	Gear - Arm - Roof Vent
3	009439-01-000	EA	Crank - Roof Vent
4	048649-01-000	EA	Fan - Blade - 6" - Plastic
5	009442-01-000	EA	Fan - Blade - Alum.
6	008195-01-000	EA	Switch - Push Button - 12 Volt
7	002825-01-000	FT	Weatherstrip - Roof Vent
8	048648-01-000	EA	Motor - 12 Volt (Vent w/Plastic Fan)
	009441-01-000	EA	Motor - 12 Volt (Vent w/Alum. Fan)
	046825-01-000	EA	Cover - Plastic - Roof - Vent (Vent w/Plastic Fan)
	016336-01-000	EA	Cover - Plastic - Roof Vent (Vent w/Alum. Fan)
	048695-01-000	EA	Screen Asm. - Powered Roof Vent - Clear Anod. - Vent w/Plastic Fan (Not included w/assembly)
	016337-01-000	EA	Screen Asm. - Powered Roof Vent - Clear Anod. - Vent w/Alum. Fan (Not included in assembly)
	Not Illustrated		

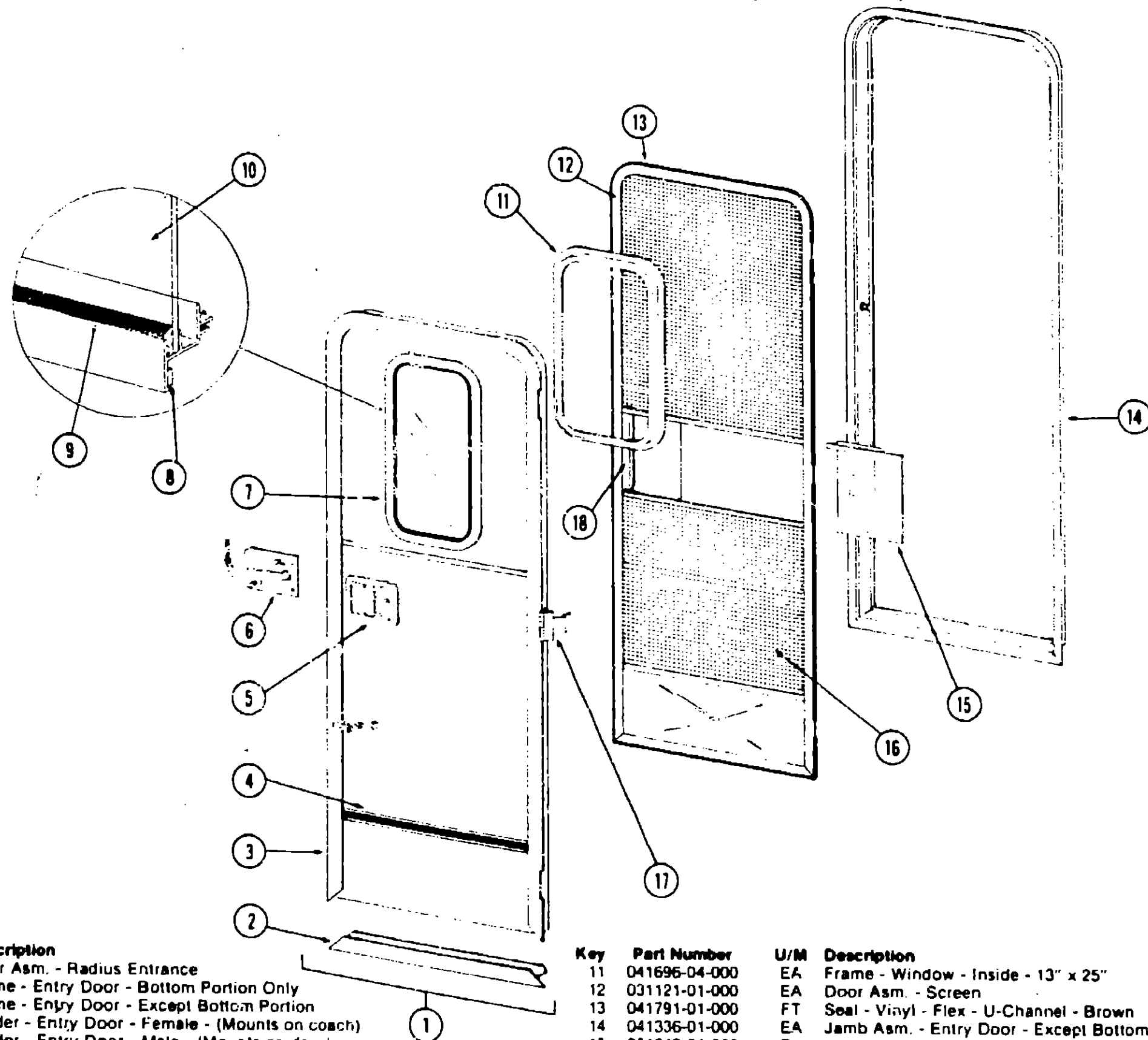
1976 ITASCA
TABLE OF CONTENTS

Introduction	A-1
Abbreviations	A-1
Alphabetical Index	A-2 - A-4
C25A	A-5 - B-20
C27AL	B-21 - D-10
C27A	D-11 - E-24
C25C	F-1 - G-12
C24C	G-13 - H-24
C22C	I-1 - J-12

1976 C24C
INDEX

Floor Plan:	G-13 - G-14
Accessories Group	G-15 - G-16
Bath Group	G-17
Chassis Group	G-18
Curtain, Cushion & Pad Group	G-19 - G-22
Dinette Group	G-23
Driver's Compartment Group	G-24
Electrical Group	H-1 - H-2
Exterior Body Group	H-3 - H-6
Galley Group	H-7
Heating & Air Conditioning Group	H-8
Interior Finish Group	H-9 - H-10
LP Group	H-11
Water & Sewage Group	H-12
Window, Vent & Exterior Door Group	H-13 - H-24

WINDOW, VENT AND EXTERIOR DOOR GROUP (CONTINUED)



Key	Part Number	U/M	Description
1	039751-05-000	EA	Door Asm. - Radius Entrance
2	039736-01-000	EA	Frame - Entry Door - Bottom Portion Only
3	039737-01-000	EA	Frame - Entry Door - Except Bottom Portion
4	009101-02-000	EA	Holder - Entry Door - Female - (Mounts on coach)
5	009101-01-000	EA	Holder - Entry Door - Male - (Mounts on door)
6	041948-01-000	EA	Kit - Radius Door - Lock - Complete
7	039541-01-000	EA	Lock Cylinder w/Keys
8	039539-01-000	EA	Striker - Entry Door Lock
9	039979-01-000	EA	Plate - Lock - Interior - Including Inside Handle
10	041875-04-000	EA	Window Asm. - Picture - 13" x 25" - Black (Inside frame not included in assembly)
11	041696-04-000	EA	Frame - Window - Inside - 13" x 25"
12	031121-01-000	EA	Door Asm. - Screen
13	041791-01-000	FT	Seal - Vinyl - Flex - U-Channel - Brown
14	041336-01-000	EA	Jamb Asm. - Entry Door - Except Bottom Portion
15	051049-01-000	EA	Jamb - Entry Door - Bottom Portion Only
16	015580-01-000	EA	Slider - Screen Door - Brown Plastic
17	002293-01-000	SF	Screen - Window - 26" - Gray
18	039520-01-000	EA	Hinge - Entrance Door (3 used per door)
19	015581-01-000	EA	Cap - Screen Door - Brown Plastic
	051390-01-000	FT	Seal - Jamb - Rubber Bulb
	039863-01-000	EA	Catch Asm. - Single Roller w/Strike - Screen Door
	009016-01-000	EA	Catch Asm. - Elbow - Spring Loaded - Screen Door
			Not Illustrated

**1976 ITASCA
TABLE OF CONTENTS**

Introduction	A-1
Abbreviations	A-1
Alphabetical Index	A-2 - A-4
C25A	A-5 - B-20
C27AL	B-21 - D-10
C27A	D-11 - E-24
C25C	F-1 - G-12
C24C	G-13 - H-24
C22C	I-1 - J-12

**1976 C24C
INDEX**

Floor Plan	G-13 - G-14
Accessories Group	G-15 - G-16
Bath Group	G-17
Chassis Group	G-18
Curtain, Cushion & Pad Group	G-19 - G-22
Dinette Group	G-23
Driver's Compartment Group	G-24
Electrical Group	H-1 - H-2
Exterior Body Group	H-3 - H-6
Galley Group	H-7
Heating & Air Conditioning Group	H-8
Interior Finish Group	H-9 - H-10
LP Group	H-11
Water & Sewage Group	H-12
Window, Vent & Exterior Door Group	H-13 - H-24