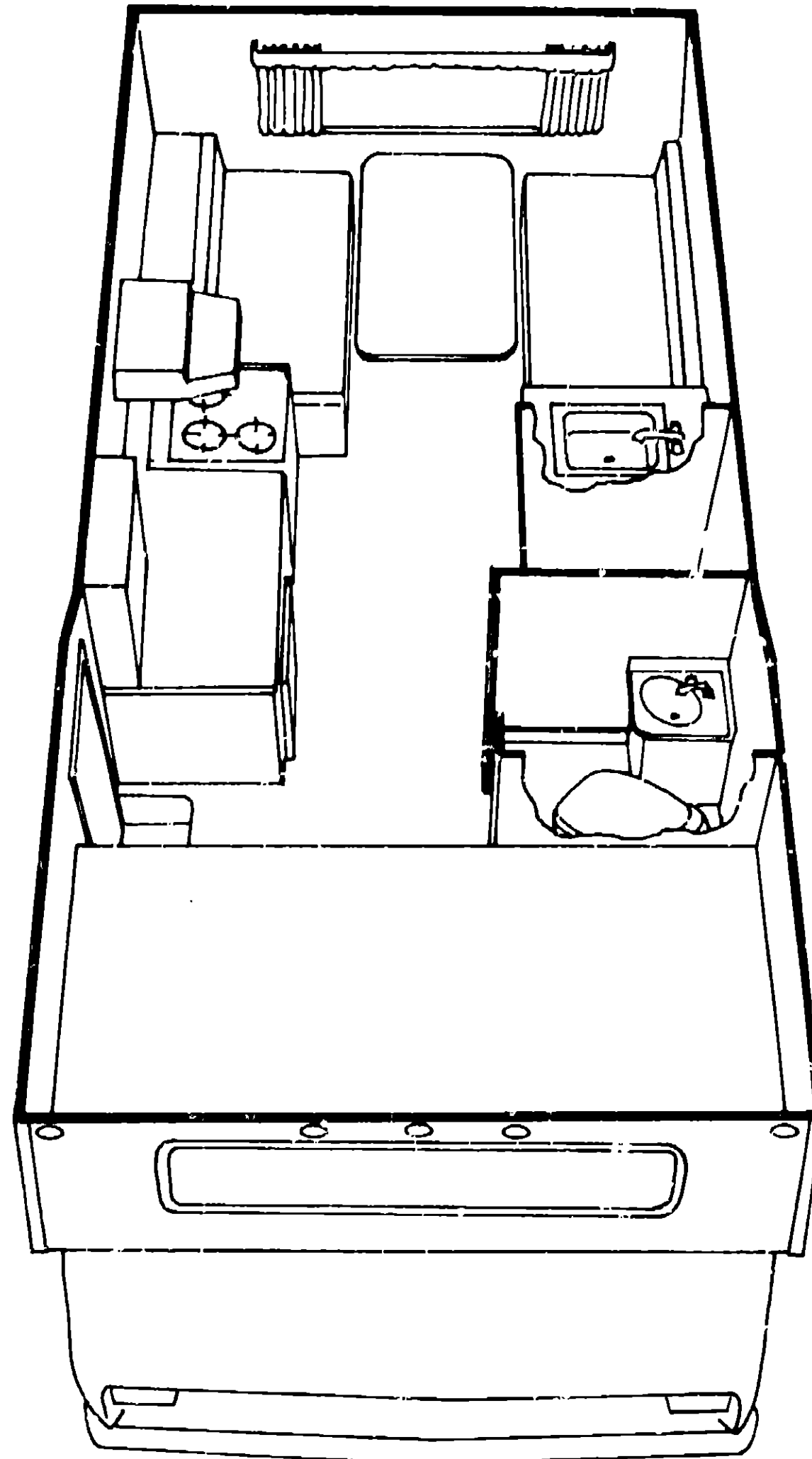


1975 MWRD

IMPORTANT

Two varieties of paneling (Wormy Pecan and Maple) were used for cabinetry in this unit. Therefore it is necessary to determine which paneling was used before ordering replacement cabinetry.

Refer to the Color Material Guide to aid in making the selection.



1975 WINNEBAGO TABLE OF CONTENTS

MWRG
MWRB
MWRD
D24

A-1 - B-6
B-7 - C-14
C-15 - D-20
D-21 - F-6

1975 MWRD INDEX

Floor Plan	C-15 - C-16
Accessories Group	C-17
Bath Group	C-18
Chassis Group	C-19
Curtain, Cushion & Pad Group	C-20 - C-21
Dinette Group	C-22
Driver's Compartment Group	C-22
Electrical Group	C-23 - C-24
Exterior Body Group	D-1 - D-4
Galley Group	D-5
Heating & Air Conditioning Group	D-6
Interior Finish Group	D-7 - D-8
I.P. Group	D-9
Water & Sewage Group	D-9
Window, Vent & Exterior Door Group	D-10 - D-20

ACCESSORIES GROUP

RADIOS AND RELATED COMPONENTS

Key	Part Number	U/M	Description
	039879-01-000	EA	Kit - Radio Speaker - 5 1/4" w/Cover
	049730-01-000	EA	Radio - AM w/Fader - Clarion
	049731-01-000	EA	Radio - AM/FM/MPX - w/Fader - Clarion
	049732-01-000	EA	Radio - AM/FM/MPX - 8 Track - w/Fader - Clarion
	007004-01-000	EA	Antenna - Radio - Cab Mount

SPEED CONTROL AND COMPONENTS

Key	Part Number	U/M	Description
	007298-01-000	EA	Speed Control Package - 360 Dodge - Lever Type - C-Body
	007255-01-700	EA	Regulator Asm.
	007298-01-701	EA	Servo Asm.
	007298-01-702	EA	Switch - Engage Lever
	007298-01-700	EA	Cable Asm. - Transmission - 22"
	007255-01-704	EA	Switch Asm. - Decelerate
	024746-01-700	EA	Relay - Speed Control

GENERATORS AND INSTALLATION KITS

Key	Part Number	U/M	Description
	007294-01-000	EA	Generator - Onan - 2500 Watt - w/Mounting Bolts and Rubber Feet - AJ
	039237-01-000	EA	Kit - 2500 Onan Installation w/o Bolt Package and Rubber Feet
	007131-01-000	FA	Hanger - Tailpipe
	023772-01-000	EA	Muffler - Generator
	007125-04-000	EA	Clamp Asm. - Muffler - 1.12" Dia.
	007125-01-000	EA	Clamp Asm. - Muffler - 1.62" Dia.
	007125-02-000	EA	Clamp Asm. - Muffler - 1.25" Dia.
	023586-01-000	EA	Scoop - Generator - Air
	007067-01-000	SF	Insulation - Fiberglass - 1"
	007059-02-000	EA	Bolt Package - Generator Mounting
	007059-03-000	EA	Foot - Rubber - Generator Mounting
	031035-01-000	EA	Gauge - Hourmeter
	008274-01-000	EA	Switch - Generator

MISCELLANEOUS ACCESSORIES

Key	Part Number	U/M	Description
	044148-01-000	EA	TV - Color - 13" Sharp
	006093-01-000	EA	Jack - TV - Brown
	006053-01-000	FA	Antenna - TV - Braun Delux
	041944-01-700	EA	Fire Extinguisher w/Bracket - Dry Chemical
	017516-01-000	EA	Mud Flap - 14" x 18" w/Holes
	006113-01-000	EA	Jack - Hydraulic - 5 Ton
	006091-01-000	EA	Tray Cutlery - Gold
	006060-01-000	EA	Purification System - Everpure - Water
	006060-02-000	EA	Cartridge - Replacement - Everpure
	031396-01-000	EA	Cover - Wheel - 17.5" - Chrome
	047337-01-000	EA	Mirror - Outside - West Coast - 6" x 10" - Stainless Steel
	034410-09-000	EA	Cover - Spare Tire

BATH GROUP

Key	Part Number	U/M	Description
	038258-01-700	EA	Door Asm. - Bathroom - 73 9/16" x 18" - w/o Hardware - Wormy Pecan
	036258-01-701	EA	Door Asm. - Bathroom - 73 9/16" x 18" - w/o Hardware - Maple
	009124-01-000	EA	Lock - Bath Door - Push Button - Brass
	009133-01-000	EA	Bar - Towel Rack - 12" Plastic
	009133-02-000	EA	Bar - Towel Rack - 18" Plastic
	009134-01-000	EA	Holder - Tissue
	023449-01-000	EA	Support - Towel Rack - Chrome
	033217-01-000	FT	Seal - Shower Pan
	020554-02-000	EA	Shower Pan - 30" x 35" White Plastic
	018857-02-000	EA	Sink - Lavatory - Small Corner - 11" x 15" - White Plastic
	011057-01-000	EA	Faucet - Lavatory and Shower
	011085-01-000	EA	Strainer - Sink
	011086-01-000	EA	Strainer - Shower Pan
	031878-01-000	EA	Shower Head - w/40" Hose
**	039341-01-000	EA	Toilet - Marine - White - Aqua Magic Model SH
**	033327-01-000	EA	Toilet - Electra - Magic - White

**The illustrated parts breakdown for this item is provided on the Common Items Fiche.

1975 WINNEBAGO TABLE OF CONTENTS

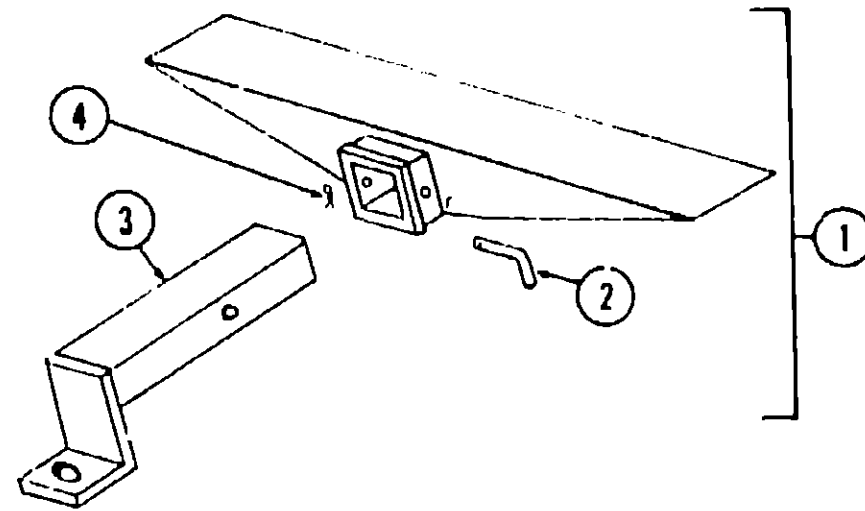
MWRG	A-1 - B-6
MWRB	B-7 - C-14
MWRD	C-15 - D-20
D24	D-21 - F-6

1975 MODEL INDEX

Floor Plan	C-15 - C-16
Accessories Group	C-17
Bath Group	C-18
Chassis Group	C-19
Curtain, Cushion & Pad Group	C-20 - C-21
Dinette Group	C-22
Driver's Compartment Group	C-22
Electrical Group	C-23 - C-24
Exterior Body Group	D-1 - D-4
Galley Group	D-5
Heating & Air Conditioning Group	D-6
Interior Finish Group	D-7 - D-8
LP Group	D-9
Water & Sewage Group	D-9
Window, Vent & Exterior Door Group	D-10 - D-20

CHASSIS GROUP

Key	Part Number	U/M	Description
	024652-01-700	EA	Step Asm. - Entry Door
	021546-01-000	EA	Bumper Asm. - Square - 4" x 4" x 93"
	039779-01-000	EA	Cap - Rubber - 4" x 4" - Bumper End
	022150-01-000	EA	Bracket Asm. - Rear Bumper w/o Tire Carrier
	022870-01-000	EA	Support - Roll Bar
	007125-06-000	EA	Clamp Asm. - Muffler - 2.25" Dia.
	007131-01-000	EA	Hanger - Tail Pipe
	022855-01-000	EA	Tail Pipe - 2 1/4" x 13"
	039687-01-000	EA	Elbow - Exhaust - 90° - 2 1/2" O.D. - Pipe
	040046-01-000	EA	Compartment - LP - Horizontal - Plastic



Key	Part Number	U/M	Description
1	023695-02-700	EA	Hitch Kit - Minnie Winnie w/Drawbar
2	034512-01-000	EA	Pin - Locking Drawbar
3	024876-01-000	EA	Drawbar Asm. - Trailer Hitch
4	034513-01-000	EA	Pin - Hitch - 3/16" - Wire Spring

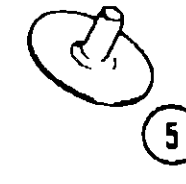
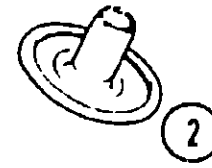
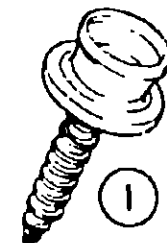
CURTAIN, CUSHION AND PAD GROUP

CURTAINS, VALANCES AND TIE BACKS

Key	Part Number	U/M	Description
	035523-06-000	EA	Curtain - 24" x 40" - Green/Gold
	035523-07-000	EA	Curtain - 24" x 40" - Orange
	036823-02-000	EA	Curtain - 24" x 78" - Green/Gold
	036823-03-000	EA	Curtain - 24" x 78" - Orange
	036823-06-000	EA	Curtain - 19 1/2" x 75" - Green/Gold
	036823-07-000	EA	Curtain - 19 1/2" x 75" - Orange
	033311-01-000	EA	Curtain - Blackout - 58" x 96" - Oxen Tan Vinyl
	033311-02-000	EA	Curtain - Blackout - 48" x 72" - Oxen Tan Vinyl
	031817-59-000	EA	Valance - Curtain - 38" - Green/Gold
	031817-80-000	EA	Valance - Curtain - 38" - Orange
	031817-15-000	EA	Valance - Curtain - 58" - Green/Gold
	031817-16-000	EA	Valance - Curtain - 58" - Orange
	031843-12-000	EA	Tie Back - Curtain - 12" - Green/Gold
	031843-13-000	EA	Tie Back - Curtain - 12" - Orange
	031843-17-000	EA	Tie Back - Curtain - 12" - Oxen Tan Vinyl
	031843-08-000	EA	Tie Back - Curtain - 18" - Oxen Tan Vinyl

CURTAIN HARDWARE

Key	Part Number	U/M	Description
	009221-01-000	EA	Rod - Curtain - Flat - Extends 11" - 14"
	037872-01-000	EA	Rod - Curtain - Double - Flat - Extends - 48" - 84"
	037872-02-000	EA	Bracket - Double Curtain Rod
	037872-03-000	EA	Rod - Curtain - Double - Flat - Extends - 28" - 48"
	052327-04-236	EA	Curtain Track - 89" Brown Alum. w/Holes (Replaces 009108-01-000 Brown Plastic Track)
	009107-01-000	EA	Guide - Nylon - Curtain
	009701-01-000	EA	Carrier w/Rollers - Curtain - "L" Rod
	009702-01-000	EA	End Stop - Curtain Track - "L" Rod
	018031-42-000	EA	Track - Curtain - "L" Rod - Alum. - 90°
	009136-01-000	EA	Hook - Shower Curtain
	029100-01-000	EA	Hook - Privacy Curtain



Key	Part Number	U/M	Description
1	029130-01-000	EA	Socket - Snap Fastener - 7 x 5/8" (Tie Backs)
2	029155-01-000	EA	Cap - Snap - .156" Dia. x .17" Barrel (Tie Backs)
3	029156-01-000	EA	Socket - Snap Fastener (Tie Backs)
4	029092-01-000	EA	Stud - Nickel Finish (Vurtains)
5	029093-01-000	EA	Eyelet - Nickel Finish (Curtains)

1975 WINNEBAGO TABLE OF CONTENTS

MWRG
MWRB
MWRD
D24

A-1 - B-6
B-7 - C-14
C-15 - D-20
D-21 - F-6

1975 MWRD INDEX

Floor Plan	C-15 - C-16
Accessories Group	C-17
Bath Group	C-18
Chassis Group	C-19
Curtain, Cushion & Pad Group	C-20 - C-21
Dinette Group	C-22
Driver's Compartment Group	C-22
Electrical Group	C-23 - C-24
Exterior Body Group	D-1 - D-4
Galley Group	D-5
Heating & Air Conditioning Group	D-6
Interior Finish Group	D-7 - D-8
LP Group	D-9
Water & Sewage Group	D-9
Window, Vent & Exterior Door Group	D-10 - D-20

CURTAIN, CUSHION AND PAD GROUP (CONTINUED)

DINETTE CUSHIONS AND MATTRESSES

Key	Part Number	U/M	Description
	031500-46-000	EA	Cushion - Dinette Back - 14 1/4" x 38" x 5" - Green
	031500-47-000	EA	Cushion - Dinette Back - 14 1/4" x 38" x 5" - Gold
	031500-48-000	EA	Cushion - Dinette Back - 14 1/4" x 38" x 5" - Orange
	031500-46-046	EA	Cover - Dinette Back Cushion - 14 1/4" x 38" x 5" - Green
	031500-47-047	EA	Cover - Dinette Back Cushion - 14 1/4" x 38" x 5" - Gold
	031500-48-048	EA	Cover - Dinette Back Cushion - 14 1/4" x 38" x 5" - Orange
	031500-49-000	EA	Cushion - Dinette Bottom - 21 3/4" x 38" x 5" - Green
	031500-50-000	EA	Cushion - Dinette Bottom - 21 3/4" x 38" x 5" - Gold
	031500-51-000	EA	Cushion - Dinette Bottom - 21 3/4" x 38" x 5" - Orange
	031500-49-049	EA	Cover - Dinette Bottom Cushion - 21 3/4" x 38" x 5" - Green
	031500-50-050	EA	Cover - Dinette Bottom Cushion - 21 3/4" x 38" x 5" - Gold
	031500-51-051	EA	Cover - Dinette Bottom Cushion - 21 3/4" x 38" x 5" - Orange
	031500-52-000	EA	Cushion - Dinette Bottom w/Notch - 21 3/4" x 38" x 5" - Green
	031500-53-000	EA	Cushion - Dinette Bottom w/Notch - 21 3/4" x 38" x 5" - Gold
	031500-54-000	EA	Cushion - Dinette Bottom w/Notch - 21 3/4" x 38" x 5" - Orange
	031500-52-052	EA	Cover - Dinette Bottom Cushion w/Notch - 21 3/4" x 38" x 5" - Green
	031500-53-053	EA	Cover - Dinette Bottom Cushion w/Notch - 21 3/4" x 38" x 5" - Gold
	031500-54-054	EA	Cover - Dinette Bottom Cushion w/Notch - 21 3/4" x 38" x 5" - Orange
	036408-02-000	EA	Mattress - 48" x 89" x 4" - Green
	036408-03-000	EA	Mattress - 48" x 89" x 4" - Gold
	036408-04-000	EA	Mattress - 48" x 89" x 4" - Orange

FABRICS

Key	Part Number	U/M	Description
	024927-02-000	YD	Fabric - Upholstery - Green
	024927-01-000	YD	Fabric - Upholstery - Gold
	024927-03-000	YD	Fabric - Upholstery - Orange
	024925-01-000	YD	Fabric - Drapery - Green/Gold
	024925-02-000	YD	Fabric - Drapery - Orange
	024918-03-000	YD	Vinyl - Oxen Tan

PADS

Key	Part Number	U/M	Description
	044810-01-000	EA	Panel - Cab Door Right - Green
	044810-02-000	EA	Panel - Cab Door Right - Orange
	044810-03-000	EA	Panel - Cab Door Right - Blue
	044811-01-000	EA	Panel - Cab Door Left - Green
	044811-02-000	EA	Panel - Cab Door Left - Orange
	044811-03-000	EA	Panel - Cab Door Left - Blue
	041371-01-000	EA	Pad - 8" x 9 1/2" - Oxen Tan Vinyl
	041370-01-000	EA	Pad - Center Sleeper Board - 3" x 36 1/4" - Oxen Tan Vinyl
	041262-01-000	EA	Pad - Right Sleeper Board - 5 1/2" x 24" - Oxen Tan Vinyl
	041262-02-000	EA	Pad - Left Sleeper Board - 5 1/2" x 24" - Oxen Tan Vinyl
	033312-01-000	EA	Pad - Cab Right - 4" x 33" - Oxen Tan Vinyl
	033313-01-000	EA	Pad - Cab Left - 4" x 33" - Oxen Tan Vinyl
	033314-01-000	EA	Pad - Bunk Rail Divider - 74 3/4" - Oxen Tan Vinyl

DINETTE GROUP

Key	Part Number	U/M	Description
	036264-01-700	EA	Table Asm. - Dinette w/o Hardware - Butcher Block
	009040-01-000	EA	Leg - Pedestal Table - 25.50"
	009040-03-000	EA	Base - Table Leg - Raised - Chrome
	036263-01-000	EA	Cabinet Asm. - Dinette Seat - Left - Wormy Pecan
	036263-01-700	EA	Cabinet Asm. - Dinette Seat - Left - Maple
	036265-01-000	EA	Cabinet Asm. - Dinette Seat - Right - Wormy Pecan
	036265-01-700	EA	Cabinet Asm. - Dinette Seat - Right - Maple
	036262-01-700	EA	Cabinet Asm. - Rear Overhead - w/o Doors or Hardware - Wormy Pecan
	036262-01-701	EA	Cabinet Asm. - Rear Overhead - w/o Doors or Hardware - Maple
	036262-01-702	EA	Door Asm. - Rear Overhead Cabinet - 29" x 7 1/2" - w/o Hardware - Wormy Pecan
	036262-01-703	EA	Door Asm. - Rear Overhead Cabinet - 29" x 7 1/2" - w/o Hardware - Maple

**1975 WINNEBAGO
TABLE OF CONTENTS**

MWRG	A-1 - B-6
MWRB	B-7 - C-14
MWRD	C-15 - D-20
D24	D-21 - F-6

DRIVER'S COMPARTMENT GROUP

Key	Part Number	U/M	Description
	024459-01-000	EA	Gauge - Voltmeter
	024462-01-000	EA	Switch - Battery Condition
	043800-01-000	EA	Tray - Beverage - Black Plastic
	007021-01-000	EA	Belt Asm. - Seat - 2" x 90" - Black
	041322-01-000	EA	Washer - Flat - 15/32" I.D. x 2 3/8" O.D. (Seat Belt)
	041944-01-700	EA	Fire Extinguisher - Dry Chemical w/Bracket
	007019-01-000	EA	Belt Asm. - Seat - 2" x 84" - Black
	036414-01-000	EA	Ashtray - Metal

1975 MWRD INDEX

Floor Plan	C-15 - C-16
Accessories Group	C-17
Bain Group	C-18
Chassis Group	C-19
Curtain, Cushion & Pad Group	C-20 - C-21
Dinette Group	C-22
Driver's Compartment Group	C-22
Electrical Group	C-23 - C-24
Exterior Body Group	D-1 - D-4
Galley Group	D-5
Heating & Air Conditioning Group	D-6
Interior Finish Group	D-7 - D-8
LP Group	D-9
Water & Sewage Group	D-9
Window, Vent & Exterior Door Group	D-10 - D-20

ELECTRICAL GROUP

BULBS

Key	Part Number	U/M	Description
	037935-01-000	EA	Bulb - 1157
	038010-01-000	EA	Bulb - 1143
	008103-01-000	EA	Bulb - 53
	008214-01-000	EA	Bulb - 37
	008215-01-000	EA	Bulb - 1003
	008216-01-000	EA	Bulb - 1034
	008217-01-000	EA	Bulb - 1071
	008218-01-000	EA	Bulb - 1141
	008219-01-000	EA	Bulb - 656
	008220-01-000	EA	Bulb - 12 Volt - 25 Watt
	036196-01-000	EA	Bulb - 194
	700020-01-000	EA	Bulb - 12 Volt - 20 Watt 1383
	008213-01-000	EA	Bulb - 57

EXTERIOR LIGHTS

Key	Part Number	U/M	Description
	008089-01-000	EA	Light - Porch - Recessed
	039866-01-000	EA	Clearance Light Round - Amber w/Base
	039865-01-000	EA	Clearance Light Round - Red w/Base
	033562-01-000	EA	Light - Clearance - Amber - Oval - 2 Bulb w/Ground
	033748-01-000	EA	Light - Clearance - Amber - Oval - 1 Bulb w/Ground
	033748-02-000	EA	Light - Clearance - Red - Oval - 1 Bulb w/Ground
	031054-01-000	EA	Lamp Asm. - Tail - Left - White
	031055-01-000	EA	Lamp Asm. - Tail - Right - White
	031054-01-701	EA	Lens - Taillamp - Left
	031055-01-700	EA	Lens - Taillamp - Right

INTERIOR LIGHTS

Key	Part Number	U/M	Description
	007309-01-000	EA	Light - Stepwell
	024473-01-000	EA	Light - Aircraft - 1 Bulb Gold
	033500-01-000	EA	Light - Dome - 1 Bulb
	033509-01-000	EA	Light - Dome - 2 Bulb
	024642-01-701	EA	Lens - Dome Light - 1 Bulb
	024643-01-701	EA	Lens - Dome Light - 2 Bulb
	039859-01-000	EA	Lighter - w/Night Light & Wall Plate

ELECTRICAL GROUP (CONTINUED)

FUSES AND CIRCUIT BREAKERS

Key	Part Number	U/M	Description
	005233-01-000	EA	Fuse - 12 Volt - 6 Amp
	008234-01-000	EA	Fuse - 12 Volt - 10 Amp.
	008235-01-000	EA	Fuse - 12 Volt - 15 Amp.
	008236-01-000	EA	Fuse - 12 Volt - 20 Amp.
	008248-01-000	EA	Fuse - 12 Volt - 30 Amp.
	008278-01-000	EA	Fuse - 12 Volt - 9 Amp
	008251-01-000	EA	Fuse Holder - Black - Screw Type
	008212-01-000	EA	Circuit Breaker - 12 Volt - 5 Amp.
	008205-01-000	EA	Circuit Breaker - 12 Volt - 40 Amp.
	033573-01-000	EA	Circuit Breaker - 12 Volt - 20 Amp.
	008268-01-000	EA	Circuit Breaker - 12 Volt - 30 Amp.

WIRE, SWITCHES AND RECEPTACLES

Key	Part Number	U/M	Description
	006024-01-000	FT	Wire - 18.5 Bonded - Orange/White/Yellow/Blue/Brown
	008025-01-000	FT	Wire - 18.5 Bonded - Orange/White/Yellow/Blue/Green
	008028-01-000	FT	Wire - 18.5 Bonded - Blue/Red/Yellow/Orange/White
	008032-01-000	FT	Wire - 18.4 Bonded
	008195-01-000	EA	Switch - Push Button - 12 Volt
	006077-01-000	EA	Plaque - Compressor Switch
	008054-01-000	EA	Cord Power - 10-30 Amp 25' - UL
	008058-01-000	EA	Adaptor - Power Cord
	024924-01-000	EA	Receptacle - Power Cord w/Plate
	008157-01-000	EA	Receptacle - Duplex - Brown
	047351-01-000	EA	Receptacle - Ground Fault Interrupter - 125 Volt - Black
	024571-01-000	EA	Cover Plate - Receptacle - Jumbo Steel - Brown
	008162-01-000	EA	Switch - Double Toggle - Spade Brown
	008163-01-000	EA	Switch - Toggle - Brown
	008164-01-000	EA	Cover Plate - Switch - Single Plastic - Brown

MISCELLANEOUS ELECTRICAL COMPONENTS

Key	Part Number	U/M	Description
	039859-01-000	EA	Lighter - w/Night Light and Wall Plate
	046775-01-000	EA	Valve Asm. - Fuel Change Over
	008188-01-000	EA	Solenoid - Dual Battery - Relay
	047389-01-000	EA	Battery - 12 Volt - 105 Amp. Deep Cycle Dry
	047336-01-000	EA	Isolator - Dual Battery
	024417-01-000	EA	Panel - Control - Water/Double Sewage - Wemac
	011024-01-000	EA	Sending Unit - Water Tank - 5 Wire
	039861-01-000	EA	Sending Unit Kit - Wemac
	024734-01-000	EA	Convertor - 20 Amp.
	008257-01-000	EA	Convertor - 30 Amp.

1975 WINNEBAGO TABLE OF CONTENTS

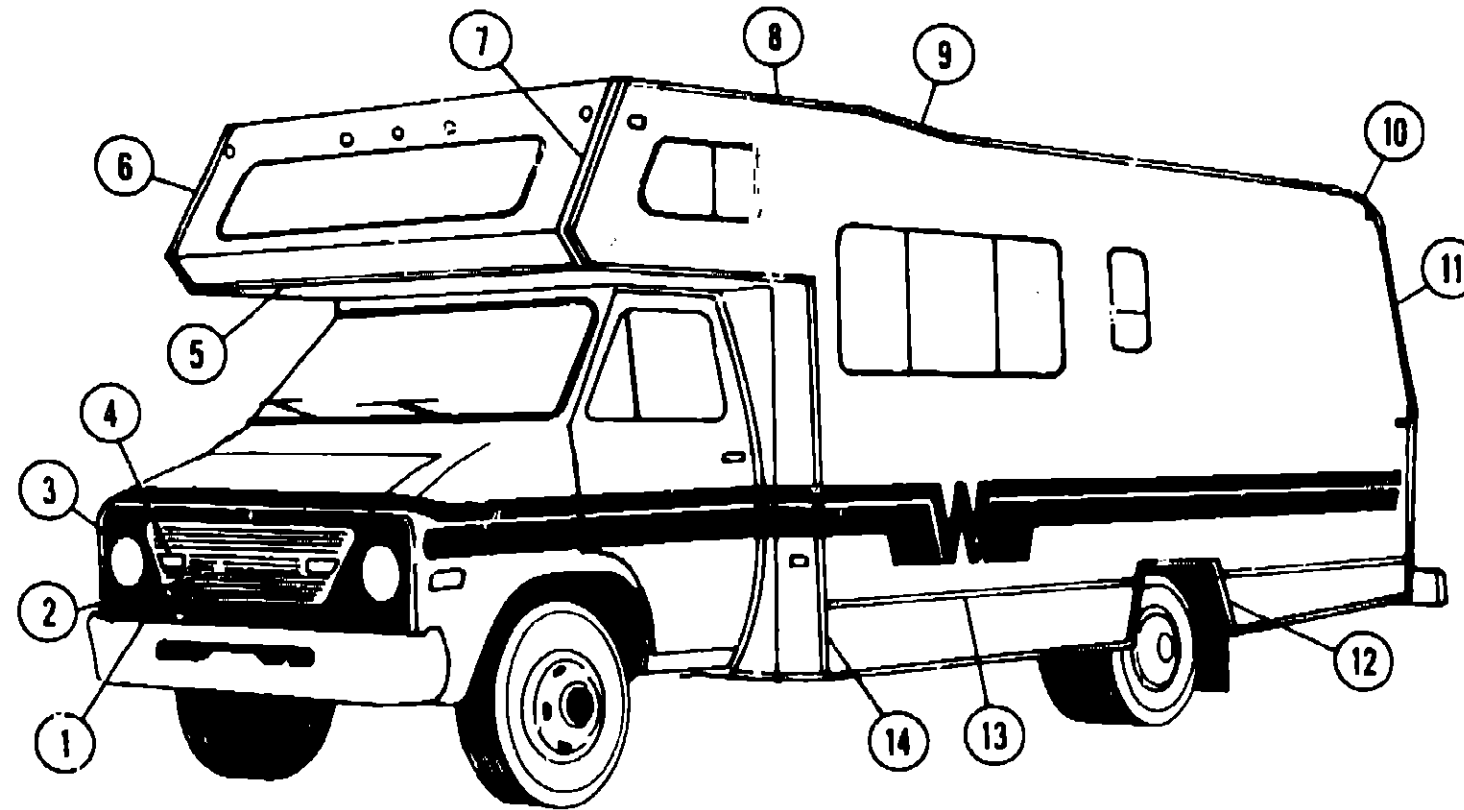
MWRG
MWRB
MWRD
D24

A-1 - B-6
B-7 - C-14
C-15 - D-20
D-21 - F-8

1975 MWRD INDEX

Floor Plan	C-15 - C-16
Accessories Group	C-17
Bath Group	C-18
Chassis Group	C-19
Curtain, Cushion & Pad Group	C-20 - C-21
Dinette Group	C-22
Driver's Compartment Group	C-22
Electrical Group	C-23 - C-24
Exterior Body Group	D-1 - D-4
Galley Group	D-5
Heating & Air Conditioning Group	D-6
Interior Finish Group	D-7 - D-8
LP Group	D-9
Water & Sewage Group	D-9
Window, Vent & Exterior Door Group	D-10 - D-20

EXTERIOR BODY GROUP



1975 WINNEBAGO TABLE OF CONTENTS

MWRG
MWRB
MWRD
D24

A-1 - B-6
B-7 - C-14
C-15 - D-20
D-21 - F-6

1975 MWRD INDEX

Key	Part Number	U/M	Description
1	020650-01-000	EA	Panel - Grille - Plastic
2	020651-01-000	EA	Grille Asm. - Aluminum
*	024661-01-000	EA	Trim Asm. - Grille - Outer - Complete
3	022203-01-000	EA	Bezel - Headlight - Left or Right
4	040203-01-000	EA	Light - Turn Signal - Amber - Left or Right
5	036478-02-000	EA	Trim - Sleeper Board - Front
6	039285-01-000	EA	Trim - Contour - Sleeper Section - Right
7	039285-02-000	EA	Trim - Contour - Sleeper Section - Left
8	036480-04-000	EA	Trim - Roof - Contour - Left
*	036480-03-000	EA	Trim - Roof - Contour - Right
9	036477-04-000	EA	Trim - Roof Angle - Left
*	036477-03-000	EA	Trim - Roof Angle - Right

Key	Part Number	U/M	Description
10	036527-03-000	EA	Trim - Contour - Left - Rear Corner
*	036527-02-000	EA	Trim - Contour - Right - Rear Corner
11	034916-06-000	EA	Trim - Contour - Left Rear
*	034916-05-000	EA	Trim - Contour - Right Rear
12	036471-01-000	EA	Trim - Wheel Well - Left
*	036471-02-000	EA	Trim - Wheel Well - Right
13	002444-02-003	EA	Extrusion - Anod. - Feature Strip - 16' - w/o Insert
*	001030-03-002	EA	Insert - Feature Strip - .019" x 13/16" x 17' - Burnt Orange
*	009731-01-000	EA	End Cap - Feature Strip
14	036476-04-000	EA	Trim - Wingwall - Left
*	036476-03-000	EA	Trim - Wingwall - Right
*	005238-01-000	EA	Nameplate - Grille - "Winnebago"
*			Not Illustrated

Floor Plan	C-15 - C-16
Accessories Group	C-17
Bath Group	C-18
Chassis Group	C-19
Curtain, Cushion & Pad Group	C-20 - C-21
Dinette Group	C-22
Driver's Compartment Group	C-22
Electrical Group	C-23 - C-24
Exterior Body Group	D-1 - D-4
Galley Group	D-5
Heating & Air Conditioning Group	D-6
Interior Finish Group	D-7 - D-8
LP Group	D-9
Water & Sewage Group	D-9
Window, Vent & Exterior Door Group	D-10 - D-20

EXTERIOR BODY GROUP (CONTINUED)

EXTERIOR BODY PANELS AND SHEET ALUMINUM

Key	Part Number	U/M	Description
	036284-02-000	EA	Sidewall Asm. - Left - Wormy Pecan
	036284-02-700	EA	Sidewall Asm. - Left - Maple
	036286-02-000	EA	Sidewall Asm. - Right - Wormy Pecan
	036286-02-700	EA	Sidewall Asm. - Right - Maple
	036289-01-000	EA	Backwall Asm. - Wormy Pecan
	036289-01-700	EA	Backwall Asm. - Maple
	036287-02-000	EA	Roof Asm.
	036287-02-700	EA	Front Roof Section - Cab Overhang to First Seam
	036294-02-000	EA	Wingwall - Front - Left - Maple
	036294-02-700	EA	Wingwall - Front - Left - Wormy Pecan
	036294-01-000	EA	Wingwall - Front - Right - Maple
	036294-01-700	EA	Wingwall - Front - Right - Wormy Pecan
	039155-07-001	EA	Alum. - Off White - Greyhound Design - .024" x 48" x 300"
	039155-07-002	EA	Alum. - Off White - Greyhound Design - .024" x 48" x 120"
	039155-07-003	EA	Alum. - Off White - Greyhound Design - .024" x 48" x 60"
	039155-07-004	EA	Alum. - Off White - Greyhound Design - .024" x 24" x 300"
	039155-07-005	EA	Alum. - Off White - Greyhound Design - .024" x 24" x 120"
	039155-07-006	EA	Alum. - Off White - Greyhound Design - .024" x 24" x 60"
	039155-07-007	EA	Alum. - Off White - Greyhound Design - .024" x 12" x 300"
	039155-07-008	EA	Alum. - Off White - Greyhound Design - .024" x 12" x 120"
	039155-07-009	EA	Alum. - Off White - Greyhound Design - .024" x 12" x 60"
	044487-01-001	EA	Alum. - Mill Finish - No Design (Roof) - 96" x 360"
	039155-07-010	EA	Alum. - Off White - Greyhound Design - 48" x 96"
	001054-01-001	EA	Alum. - Off White - No Design - 48" x 96"
	000868-01-000	BF	Styrofoam - 3/4" x 24" x 96"

EXTERIOR PAINT

Key	Part Number	U/M	Description
	041561-01-000	EA	Off White - Acrylic Enamel - 1 Gallon
	041561-03-000	EA	Off White - Acrylic Enamel - 16 Oz. Aerosol
	041561-04-000	EA	Off White - Acrylic Lacquer - 1 Gallon
	041563-01-000	EA	Burnt Orange - Acrylic Enamel - 1 Gallon
	041563-03-000	EA	Burnt Orange - Acrylic Enamel - 16 Oz. Aerosol
	041565-01-000	EA	Rally Yellow - Acrylic Enamel - 1 Gallon
	041565-03-000	EA	Rally Yellow - Acrylic Enamel - 16 Oz. Aerosol
	045681-01-000	EA	High Gloss Black - Acrylic Enamel - 1 Gallon
	045681-03-000	EA	High Gloss Black - Acrylic Enamel - 16 Oz. Aerosol

LABELS AND DECALS

Key	Part Number	U/M	Description
	006023-01-000	EA	Label - Water Only
	006025-01-000	EA	Label - Gas
	006028-01-000	EA	Label - Drain Cap - 2" x 3"
	006031-01-000	EA	Label - Potable Water Only
	006187-01-000	EA	Label - Sewage
	006188-01-000	EA	Label - Waste Water
	006199-01-000	EA	Label - Exit - Escape window
	031161-01-000	EA	Label - Flying "W"
	038403-01-000	EA	Decal - Logo - Winnebago 2.80" (Front or Rear)
	039289-01-000	EA	Label - Warning Aux. Loading
	039716-01-000	EA	Stencil - Minnie Winnie
	008092-01-000	EA	Reflector - Stick On - Rectangular - Red
	008093-01-000	EA	Reflector - Stick On - Rectangular - Amber

EXTERIOR BODY GROUP (CONTINUED)

SEALANTS, ADHESIVES AND FASTENERS

Key	Part Number	U/M	Description
	034552-05-000	EA	Sealant - Off White Silicone
	034552-04-000	EA	Sealant - Beige Silicone
	034552-02-000	EA	Sealant - Clear Silicone
	004348-02-000	EA	Sealant - Aluminum Silicone
	004349-01-000	EA	Sealant - Black Silicone
	004342-01-000	EA	Sealant - Weatherban 202 Tube
	004346-02-000	EA	Sealant - White Silicone
	004347-01-000	EA	Sealant - Tuflex
	002316-01-000	FT	Tape - Sealer - 3/32" x 1/8"
	024545-01-000	FT	Tape - Sealer - 1/8" x 5/8" - Black
	004350-01-000	FT	Tape - Sealer - 1/8" x 1" - Formaseal
	004352-01-000	FT	Tape - Sealer - 1/8" x 3/4" - Formaseal
	004355-01-000	FT	Tape - Sealer - 1/8" x 5/8" - Black
	004357-01-000	FT	Tape - Sealer - 1/8" x 5/8" - Adhesive
	002707-02-000	FT	Tape - Sealer - 5/16" x 1/2" - Black Foam
	002707-01-000	FT	Tape - Sealer - 5/16" x 3/4" - Black Foam
	041422-01-000	FT	Tape - Sealer - 1/4" x 1/2"
	004363-01-000	FT	Tape - Sealer - 3/16" x 1/2" - Foam
	004362-01-000	FT	Tape - Sealer - 1/8" x 5/8" - Foam
	009200-01-000	EA	Tape - Furnace - 1 1/2"
	041839-01-000	FT	Tape - Window - Latch - 3/4" - Adhesive
	041839-02-000	FT	Tape - Window - Latch - 1/2" - Adhesive
	004353-01-000	FT	Tape - Gasket - 1/8" x 3/4" - White
	002825-01-000	FT	Weather Stripping - Roof Vent
	002337-01-000	EA	Adhesive - 3M- 1300 Tube
	004005-01-000	GL	Adhesive - Swifts Green - Glue (Sidewalls)
	004012-01-000	EA	Adhesive - 3M - 4475 Tube
	004020-01-000	QT	Adhesive - ABS Cement (Plastic Fittings)
	029051-01-000	EA	Adhesive - Spray Vinyl
	042401-02-000	EA	Screw - 8 - 18 x 3/4" SDPH Off White
	005056-01-000	EA	Screw - Wood - 12 - 11 x 3" P.O.H. Zinc
	041746-01-000	FT	Extr. - Vinyl - Bubble Seal - Entry Door - Jamb
	021241-01-000	FT	Extr. - Vinyl - White - Wingwall

MISCELLANEOUS EXTERNALLY MOUNTED PARTS

Key	Part Number	U/M	Description
	016253-05-000	EA	Fuel Fill - Recessed - Single - Off White
	015587-04-000	EA	Fuel Fill - Recessed - Double - Off White
	011124-01-000	EA	Plumbing Seal - Roof Vent - 1 1/4" White
	011129-01-000	EA	Plumbing Seal - Roof Vent - 1 1/2" White
	010230-02-000	EA	Fill - City Water - Recessed - Off White
	011020-01-000	EA	Fill - Water - Recessed - Off White
	009126-01-000	EA	Handle - Assist - Metal Ext.
	009101-01-000	EA	Holder - Entry Door Male
	009101-02-000	EA	Holder - Entry Door - Female

**1975 WINNEBAGO
TABLE OF CONTENTS**

MWRG	A-1 - B-6
MWRB	B-7 - C-14
MWRD	C-15 - D-20
D24	D-21 - F-6

1975 MWRD INDEX

Floor Plan	C-15 - C-16
Accessories Group	C-17
Bath Group	C-18
Chassis Group	C-19
Curtain, Cushion & Pad Group	C-20 - C-21
Dinette Group	C-22
Driver's Compartment Group	C-22
Electrical Group	C-23 - C-24
Exterior Body Group	D-1 - D-4
Galley Group	D-5
Heating & Air Conditioning Group	D-6
Interior Finish Group	D-7 - D-9
LP Group	D-9
Water & Sewage Group	D-9
Window, Vent & Exterior Door Group	D-10 - D-20

GALLEY GROUP

Key	Part Number	U/M	Description
	036260-02-700	EA	Cabinet Asm. - Galley/Sink - w/o Countertop, Door or Hardware - Wormy Pecan
	036260-02-701	EA	Cabinet Asm. - Galley/Sink - w/o Countertop, Door or Hardware - Maple
	036260-02-702	EA	Door Asm. - Sink Cabinet - 21" x 12 5/8" - w/o Hardware - Wormy Pecan
	036260-02-703	EA	Door Asm. - Sink Cabinet - 21" x 12 5/8" - w/o Hardware - Maple
	036260-02-704	EA	Countertop Asm. - Sink Cabinet - Butcher Block
	036261-01-700	EA	Cabinet Asm. - Galley Overhead - Left - w/o Doors or Hardware - Wormy Pecan
	036261-01-701	EA	Cabinet Asm. - Galley Overhead - Left - w/o Doors or Hardware - Maple
	036261-01-702	EA	Door Asm. - Galley Overhead - 17 1/2" x 7 1/2" - w/o Hardware - Wormy Pecan
	036261-01-703	EA	Door Asm. - Galley Overhead - 17 1/2" x 7 1/2" - w/o Hardware - Maple
	036267-04-700	EA	Cabinet Asm. - Galley - Right - w/o Countertop, Doors, Drawers or Hardware - Wormy Pecan
	036267-04-701	EA	Cabinet Asm. - Galley - Right - w/o Countertop, Doors, Drawers or Hardware - Maple
	036267-04-702	EA	Door Asm. - Galley Cabinet - 17 1/2" x 11 3/8" - w/o Hardware - Wormy Pecan
	036267-04-703	EA	Door Asm. - Galley Cabinet - 17 1/2" x 11 3/8" - w/o Hardware - Maple
	036267-04-704	EA	Door Asm. - Galley Cabinet - 20 1/8" x 15 1/4" - w/o Hardware - Wormy Pecan
	036267-04-705	EA	Door Asm. - Galley Cabinet - 20 1/8" x 15 1/4" - w/o Hardware - Maple
	036267-04-706	EA	Drawer Asm. - Galley Cabinet - 5 1/4" x 11 3/8" - w/o Hardware - Wormy Pecan
	036267-04-707	EA	Drawer Asm. - Galley Cabinet - 5 1/4" x 11 3/8" - w/o Hardware - Maple
	036267-04-708	EA	Countertop Asm. - Galley Cabinet - Butcher Block
	036268-01-700	EA	Cabinet Asm. - Galley Overhead - Right - w/o Doors or Hardware - Wormy Pecan
	036268-01-701	EA	Cabinet Asm. - Galley Overhead - Right - w/o Doors or Hardware - Maple
	036259-01-700	EA	Door Asm. - Wardrobe Cabinet - 38 1/8" x 20 1/8" - w/o Hardware - Wormy Pecan
	036259-01-701	EA	Door Asm. - Wardrobe Cabinet - 38 1/8" x 20 1/8" - w/o Hardware - Maple
	036259-01-702	EA	Door Asm. - Wardrobe Cabinet - 21 1/4" x 20 1/8" - w/o Hardware - Wormy Pecan
	036259-01-703	EA	Door Asm. - Wardrobe Cabinet - 21 1/4" x 20 1/8" - w/o Hardware - Maple
	011029-01-000	EA	Sink - Stainless Steel - Single w/Bolts
	011056-01-000	EA	Faucet - Sink
	011085-01-000	EA	Strainer - Sink
**	003336-01-000	EA	Refrigerator - Dometic - RM66
**	034545-01-000	EA	Refrigerator - Winnebago - W6EG
**	031648-01-000	EA	Range - Coleman - 3 Burner - 2225
*	003212-01-000	EA	Hood - Range - Non Power - Chrome
*	024670-01-000	EA	Hood - Range - Powered - Strawsine
*	024670-01-700	EA	Filter - Range Hood - Strawsine
			Not Illustrated

**The illustrated parts breakdown for this item is provided on the Common Items Fiche.

HEATING AND AIR CONDITIONING GROUP

Key	Part Number	U/M	Description
	048228-03-000	EA	Kit - Auto Air - 360 C.I.D. - ARA - C Body
	048228-01-000	EA	Kit - Auto Air - 360 C.I.D. - AMC - C Body
	007314-01-000	EA	Compressor Mount Package - 360 C.I.D. - AMC (w/o Compressor)
	040024-01-000	EA	Evaporator Package - 360 C.I.D. - AMC
	049235-01-000	EA	Compressor - AMC - w/Push on Fitting
	051765-01-000	EA	Compressor Mount Package - 360 C.I.D. - ARA
	051767-01-000	EA	Evaporator Assembly - 360 C.I.D. - ARA
	051771-01-000	EA	Condenser Assembly - 360 C.I.D. - ARA
	051770-01-000	EA	Compressor (w/o Mounting Hardware) ARA
	009198-01-000	FT	Duct - Flexible - 4" x 25' (Furnace)
	024985-01-000	EA	Register - Heat - w/Damper - 9.9" x 4.8"
	031604-01-000	EA	Bonnet - Heat Register
	009200-01-000	EA	Tape - Furnace - 1 1/2" - Gray
**	003135-01-000	EA	Furnace - Coleman - 23,000 B.T.U. - 4023
**	003136-01-000	EA	Furnace - Coleman - 28,000 B.T.U. - 4028
**	003140-01-000	EA	Furnace - Coleman - 30,000 B.T.U. - 4030
**	041603-01-000	EA	Furnace - Coleman - 23,000 B.T.U. - 4225
**	041604-01-000	EA	Furnace - Coleman - 28,000 B.T.U. - 4230
**	003126-01-000	EA	Air Conditioner Asm. - Roof Mount - 10,000 BTU Mach I - Coleman w/o Inside Shroud
**	031380-01-000	EA	Air Conditioner Asm. - Roof Mount - 13,500 BTU Mach III - Coleman w/o Inside Shroud
**	045777-01-000	EA	Air Conditioner - Roof Mount - Ivory - 11,000 BTU Coleman - w/o Inside Shroud
**	049774-01-000	EA	Air Conditioner - Roof Mount - Ivory - 13,500 BTU Coleman - w/o Inside Shroud
**	041733-01-000	EA	Shroud Asm. - Air Conditioner - Inside Ceiling Cool Only - Mach I or Mach III
**	049778-01-000	EA	Shroud Asm. - Air Conditioner - Inside Ceiling Cool Only - 11,000 BTU - Ivory
**	049775-01-000	EA	Shroud Asm. - Air Conditioner - Inside Ceiling Cool Only - 13,500 BTU - Ivory
**	049776-01-000	EA	Shroud Asm. - Air Conditioner - Inside Ceiling Heat and Cool - 13,500 BTU - Ivory

**The illustrated parts breakdown for this item is provided on the Common Items Fiche.

**1975 WINNEBAGO
TABLE OF CONTENTS**

MWRG	A-1 - B-6
MWRB	B-7 - C-14
MWFD	C-15 - D-20
D24	D-21 - F-6

1975 MWRD INDEX

Floor Plan	C-15 - C-16
Accessories Group	C-17
Bath Group	C-18
Chassis Group	C-19
Curtain, Cushion & Pad Group	C-20 - C-21
Dinette Group	C-22
Driver's Compartment Group	C-22
Electrical Group	C-23 - C-24
Exterior Body Group	D-1 - D-4
Galley Group	D-5
Heating & Air Conditioning Group	D-6
Interior Finish Group	D-7 - D-8
LP Group	D-9
Water & Sewage Group	D-9
Window, Vent & Exterior Door Group	D-10 - D-20

INTERIOR FINISH GROUP

PANELING AND COUNTERTOP MATERIALS

Key	Part Number	U/M	Description
	024951-01-000	SF	Panel - Bath Wall - White
	000722-01-000	SF	Veneer - Wormy Pecan - 48" x 96"
	024942-03-000	SF	Veneer - Maple - 48" x 96"
	000720-02-000	SF	Veneer - White Stucco
	000724-01-000	EA	Batt Strip - White Stucco
	037682-01-000	SF	Plastic Laminate - 48" x 96" - Butcher Block
	033204-01-000	SF	Plastic Laminate - 48" x 96" - Antique Leather
	009814-06-000	FT	T-Molding - Butcher Block
	037679-01-000	SF	Paneling - Ivory Liner

INTERIOR MOLDINGS AND TRIM

Key	Part Number	U/M	Description
	009779-01-000	FT	U-Channel - 1 1/8" - Brown - Plastic
	009778-01-000	FT	U-Channel - 1" - Brown Plastic
	009780-01-000	FT	U-Channel - 1 1/4" - Brown - Plastic
	009720-01-000	EA	Cover - Roll Bar - White - 85.44"
	023221-01-000	EA	Corner Cover - Roll Bar
	034113-02-000	EA	Corner Cover - Support Bar - Brown
	024700-02-000	EA	Cover - Spdewall - Roll Bar - 152 Maple
	022756-01-000	EA	Cover - A/C - Plastic
	022755-01-000	EA	Cover - Control Panel - Plastic
	034589-01-000	EA	Cover - Screw - 10 PPH - Plastic - White
	009812-01-000	FT	Molding - Plastic Corner - O/S - .50"
	009767-01-000	FT	Welting - Brown
	009781-01-000	FT	Molding - Plastic Corner - O/S - .62" x .62" - Brown
	031004-02-000	EA	Quarter Panel Asm. - Front Right
	031003-02-000	EA	Quarter Panel Asm. - Front Left

FABRICS AND CARPET

Key	Part Number	U/M	Description
	024927-02-000	YD	Fabric - Upholstery - Green
	024927-01-000	YD	Fabric - Upholstery - Gold
	024927-03-000	YD	Fabric - Upholstery - Orange
	024925-01-000	YD	Fabric - Drapery - Green/Gold
	024925-02-000	YD	Fabric - Drapery - Orange
	024918-03-000	YD	Vinyl - Oxen Tan
	024960-01-000	SY	Carpet - Gold
	024960-02-000	SY	Carpet - Green
	024960-03-000	SY	Carpet - Orange

INTERIOR FINISH GROUP (CONTINUED)

CURTAIN HARDWARE

Key	Part Number	U/M	Description
	052327-04-236	EA	Curtain Track - Alum. - Brown - 89" w/Holes
	009107-01-000	EA	Guide - Nylon - Snap - Curtain
	042439-01-000	EA	Bracket - Left or Right - Curtain Rod - Single
	049897-01-000	EA	Rod - Curtain - Flat Extension 25" - 45"
	037872-01-000	EA	Rod - Curtain - Double Flat Extension 48" - 84"
	037872-02-000	EA	Bracket - Curtain Rod - Double Flat Extension
	049897-02-000	EA	Rod - Curtain - Flat Extension 48" - 86"
	009702-01-000	EA	End Stop - Curtain - L-Rod w/Rollers
	009701-01-000	EA	Carrier - w/Rollers - L-Rod

CABINETS AND TABLE HARDWARE

Key	Part Number	U/M	Description
	009016-01-000	EA	Latch - Cabinet - Overhead
	043118-01-000	EA	Latch - Cabinet - Kit
	043116-01-000	EA	Pull - Drawer - Medieval Brass - Kit
	043117-01-000	EA	Hinge Kit - 3/8" Insert - Century
	009150-01-000	EA	Warp Guard - 64"
	009112-01-000	EA	Flange - 1" Rod Chrome
	047842-01-000	EA	Kit - Dinette Table Leg
	047809-01-000	EA	Dinette Table Hardware - Wall Mount

MISCELLANEOUS PARTS

Key	Part Number	U/M	Description
	041944-01-700	EA	Extinguisher - Fire - w/Bracket - Dry Chemical
	006098-01-000	EA	Mirror - Inside - 1/8" x 9" x 16" - Beveled
	005096-01-000	EA	Mirror - Inside - 1/8" x 12" x 42" - Beveled
	009089-01-000	EA	Clip - Mirror - Plastic - w/Screw
	007021-01-000	EA	Belt Assembly - Seat - 2" x 90" - Black
	007019-01-000	EA	Belt Assembly - Seat - 2" x 84" - Black
	007022-01-000	EA	Belt Assembly - Seat - 2" x 66" - Black
	023680-01-000	EA	Bracket - Seat Belt
	041322-01-000	EA	Washer - Flat - 15/32" I.D. x 2 3/8" O.D. - Seat Belt
	024730-01-000	EA	Grille - Plastic - 12.4" x 5.9" - Brown - Furnace Duct
	024985-01-000	EA	Register - Heat - w/Damper - 9.9 x 4.8"
	009169-01-000	EA	Grille - Plastic - 15.7" x 17.1" - Brown - Furnace

1975 WINNEBAGO TABLE OF CONTENTS

MWRG	A-1 - B-6
MWRB	B-7 - C-14
MWRD	C-15 - D-20
D24	D-21 - F-6

1975 MWRD INDEX

Floor Plan	C-15 - C-16
Accessories Group	C-17
Bath Group	C-18
Chassis Group	C-19
Curtain, Cushion & Pad Group	C-20 - C-21
Dinette Group	C-22
Driver's Compartment Group	C-22
Electrical Group	C-23 - C-24
Exterior Body Group	D-1 - D-4
Galley Group	D-5
Heating & Air Conditioning Group	D-6
Interior Finish Group	D-7 - D-8
LP Group	D-9
Water & Sewage Group	D-9
Window, Vent & Exterior Door Group	D-10 - D-20

LP GROUP

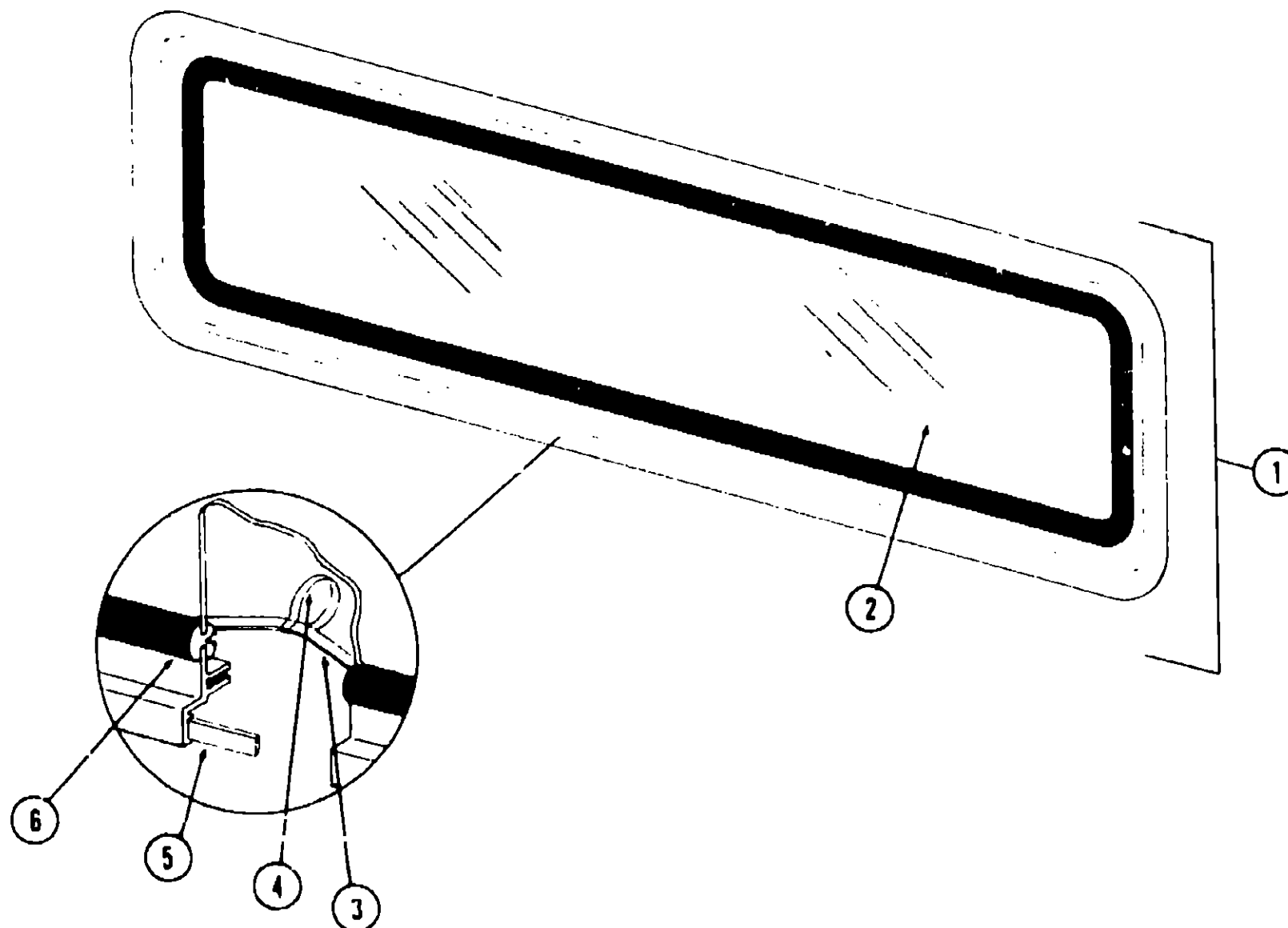
Key	Part Number	U/M	Description
	008818-01-000	EA	Tank - LP - 20 Pound Horizontal
	008814-01-000	EA	Regulator - LP - Manual
	008815-01-000	EA	Regulator - LP - Automatic
	023263-01-000	EA	Tank - LP - 30 Pound - Horizontal
	008820-01-000	EA	Hose Assembly - LP - 1/4" I.D. x 16"
	045703-01-000	EA	Hose Assembly - LP - 3/8" I.D. x 24"
	040046-01-000	EA	Compartment - LP - Horizontal

WATER AND SEWAGE GROUP

Key	Part Number	U/M	Description
	036275-01-000	EA	Tank - Holding - Auxillary - Plastic
	036273-02-000	EA	Tank - Holding - Main - Plastic
	011002-01-000	EA	Air Compressor
	011027-01-000	EA	Tank - Water - Galvanized - 22 Gallon
	006060-01-000	EA	Purification System - Everpure - Water
	006060-02-000	EA	Cartridge - Replacement - Everpure
	023833-01-000	EA	Air Compressor - 12 Volt
	011024-01-000	EA	Sending Unit - Water Tank - 5 Wire
	010210-01-000	EA	Valve - Sanitary - Thetford 3HB
	010234-01-000	EA	Adapter - Bayonet
	010235-01-000	EA	Cap - Sewage - 3"
	010236-01-000	EA	Adaptor - Hose - 3"
	046524-01-000	EA	Kit - Fittings - Plastic - Holding Tanks
	011066-01-000	EA	P-Trap - Plastic - 1 1/4"
	011091-01-000	EA	Waste - Continuous Double Sink - 11 7/8"
	011005-01-000	EA	Spout - Water Fill - w/Gauge
	004020-01-000	QT	Adhesive - ABS Cement
	010201-01-000	EA	Hose - Sewer - 3" x 10' w/Clamp
	010209-02-000	EA	Handle - Extension - Sewer Valve - 9.5"
	051391-01-000	EA	Water Heater - Atwood Bowen - G6A2
**	031992-01-000	EA	Water Heater - Atwood Bowen - GH6

**The illustrated parts breakdown for this item is provided on the Common Items Fiche

WINDOW, VENT AND EXTERIOR DOOR GROUP



Key	Part Number	U/M	Description
1	020754-01-000	EA	Window Asm. - Escape - 23" x 68" - w/o Inside Frame
2	002178-01-000	EA	Glass - 1/8" x 19.61" x 64.80"
3	002285-01-000	FT	Weatherstrip - Filler - Black
4	020395-01-000	EA	Slip Ring - Pull
5	004363-01-000	FT	Tape - Foam - 3/16" x 1/2" - Gray
6	002282-01-000	FT	Weatherstrip - Window - .125" - Black
*	020753-02-000	EA	Frame - Escape Window - Inside - 23" x 68" (Not Included in Assembly)
*	006199-01-000	EA	Label - Exit - Escape Window
*	020785-01-000	EA	Tab - Pull
*			Not Illustrated

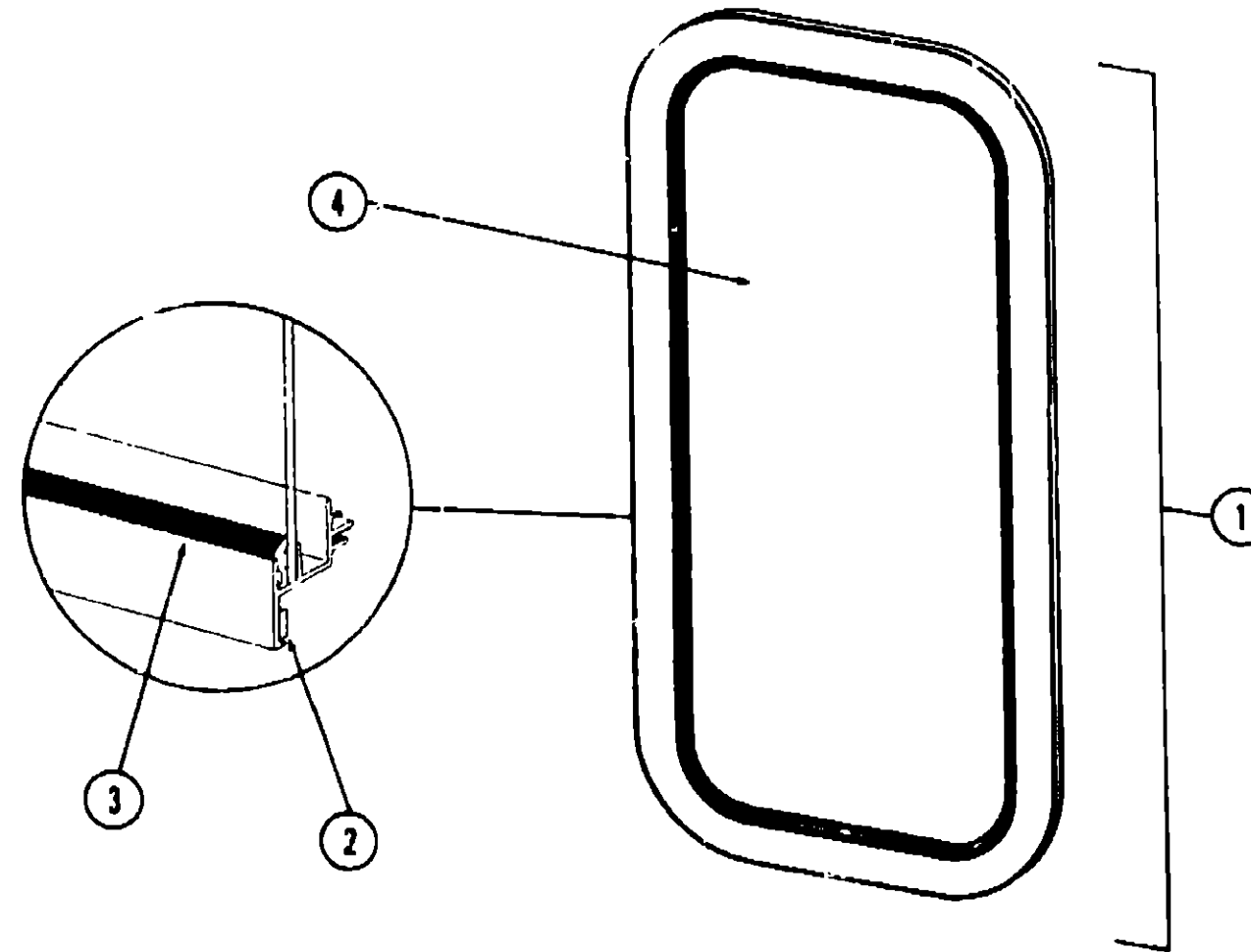
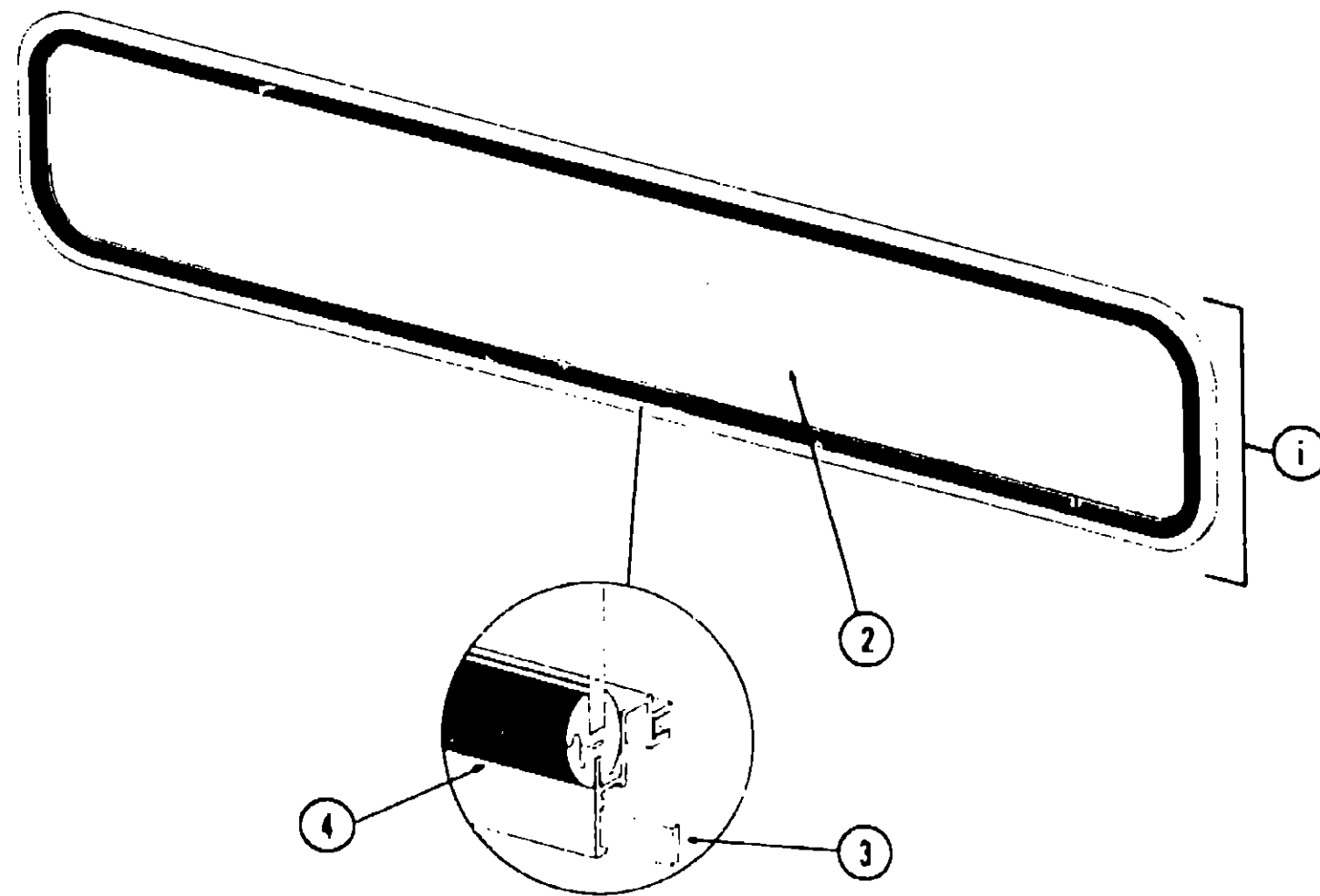
1975 WINNEBAGO TABLE OF CONTENTS

MWRG
MWRB
MWRD
D24

A-1 - B-6
B-7 - C-14
C-15 - D-20
D-21 - F-6

1975 MWRD INDEX

Floor Plan	C-15 - C-18
Accessories Group	C-17
Bath Group	C-18
Chassis Group	C-19
Curtain, Cushion & Pad Group	C-20 - C-21
Dinette Group	C-22
Driver's Compartment Group	C-22
Electrical Group	C-23 - C-24
Exterior Body Group	D-1 - D-4
Galley Group	D-5
Heating & Air Conditioning Group	D-6
Interior Finish Group	D-7 - D-8
LP Group	D-9
Water & Sewage Group	D-9
Window, Vent & Exterior Door Group	D-10 - D-20



Key	Part Number	U/M	Description
1	020707-01-000	EA	Window Asm. - Front Picture - 16" x 69" (w/o Inside Frame)
2	002200-01-000	EA	Glass - TP - Picture Window
3	004363-01-000	FT	Tape - Sealer - 3/16" x 1/2" - Foam
4	002281-01-000	FT	Weatherstrip - Self Seal - .06" Panel x 3/16" - Black
*	020709-03-000	EA	Frame - Inside - Front Picture Window - 16" x 69"
			(Not included in window assembly)
*			Not Illustrated

Key	Part Number	U/M	Description
1	041875-01-000	EA	Window Asm. - Picture - 13" x 23" (w/o Inside Frame) (Requires Z Style Inside Frame)
2	004363-01-000	FT	Tape - Foam - 3/16" x 1/2" - Gray
3	002309-01-000	FT	Spline - Glass - 1/8" - Gray
4	002181-01-000	EA	Glass - TP - 1/8" x 12" x 22"
*	017753-01-000	EA	Frame - Window - Inside - 13" x 23"
			Not Included w/Window Asm. (T Style)
*	041696-02-000	EA	Frame - Window - Inside - 13" x 23"
			Not Included w/Window Asm. (Z Style)
*			Not Illustrated

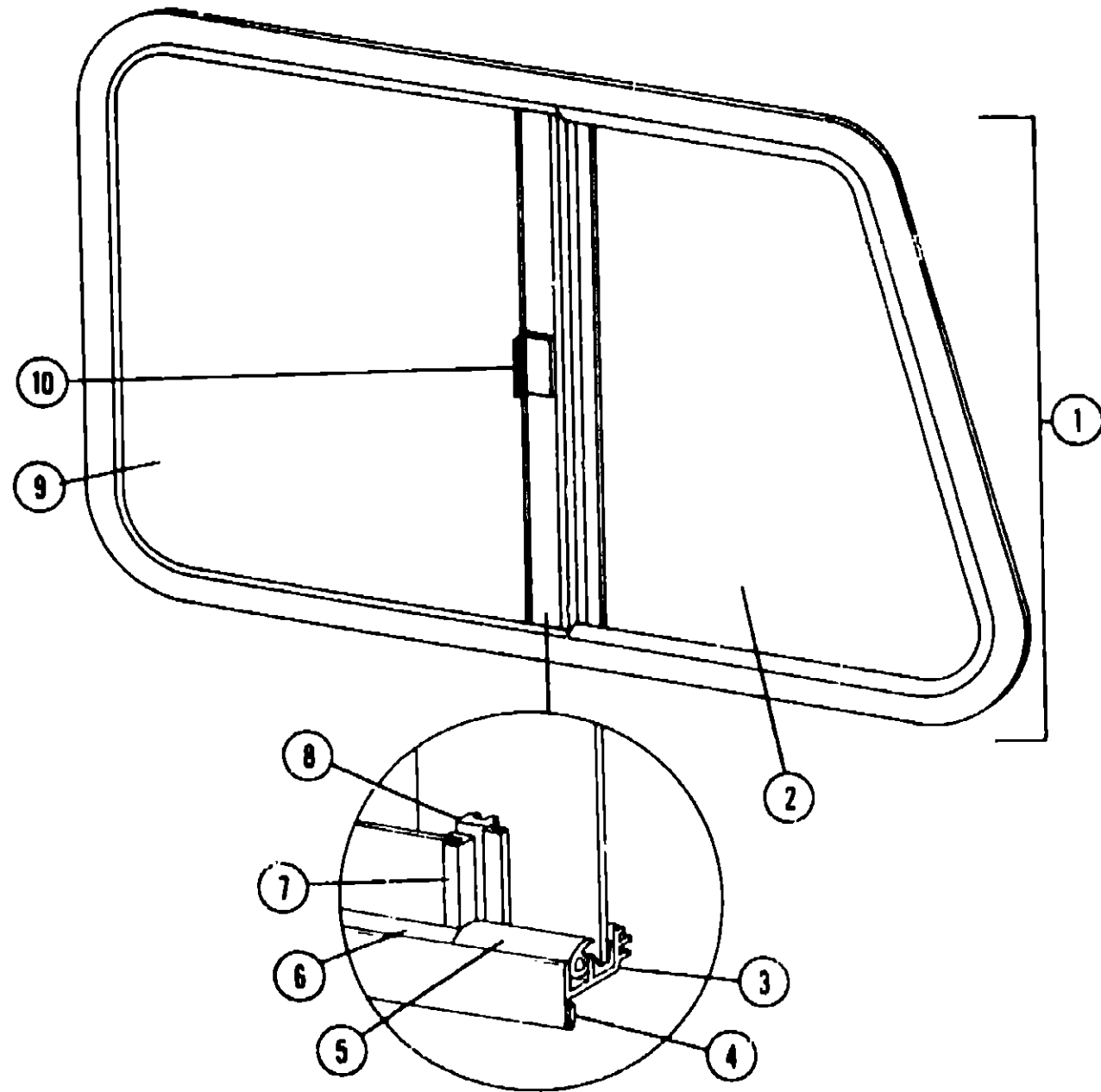
1975 WINNEBAGO
TABLE OF CONTENTS

MWRG
MWRB
MWRD
D24

A-1 - B-6
B-7 - C-14
C-15 - D-20
D-21 - F-6

1975 MWRD INDEX

Floor Plan	C-15 - C-16
Accessories Group	C-17
Bath Group	C-18
Chassis Group	C-19
Curtain, Cushion & Pad Group	C-20 - C-21
Dinette Group	C-22
Driver's Compartment Group	C-22
Electrical Group	C-23 - C-24
Exterior Body Group	D-1 - D-4
Galley Group	D-5
Heating & Air Conditioning Group	D-6
Interior Finish Group	D-7 - D-8
LP Group	D-9
Water & Sewage Group	D-9
Window, Vent & Exterior Door Group	D-10 - D-20



Key	Part Number	U/M	Description
1	035239-02-000	EA	Window Asm. - Rear Slanted Slider - Left (w/o Inside Frame)
2	034148-01-000	EA	Glass - 1/8" x 22" x 18.25" - Sliding
3	002324-01-000	FT	Channel - Weatherstrip - Glass Run
4	004363-01-000	FT	Tape - Foam - 3/16" x 1/2" - Gray
5	002283-01-000	FT	Seal - Window Channel
6	002309-01-000	FT	Spline - Glass - 1/8" - Gray
7	018025-01-000	EA	Holder - Glass Seal
8	018014-04-000	EA	Mullion - Slider Window
9	002184-01-000	EA	Glass - Stationary
10	023275-01-000	EA	Latch Asm. - Window - Aluminum
.	023713-01-000	EA	Cover - Weephole - White PLastic
.	041839-01-000	FT	Tape - Foam - Aluminum Window - Latch
.	002298-01-000	FT	Spline - Screen - .130" Dia.
.	002293-01-000	SF	Screen - Window - 26" - Gray
.	035273-06-000	EA	Frame - Window Inside (Not Included in Window Assembly)
.			Not Illustrated

1975 WINNEBAGO
TABLE OF CONTENTS

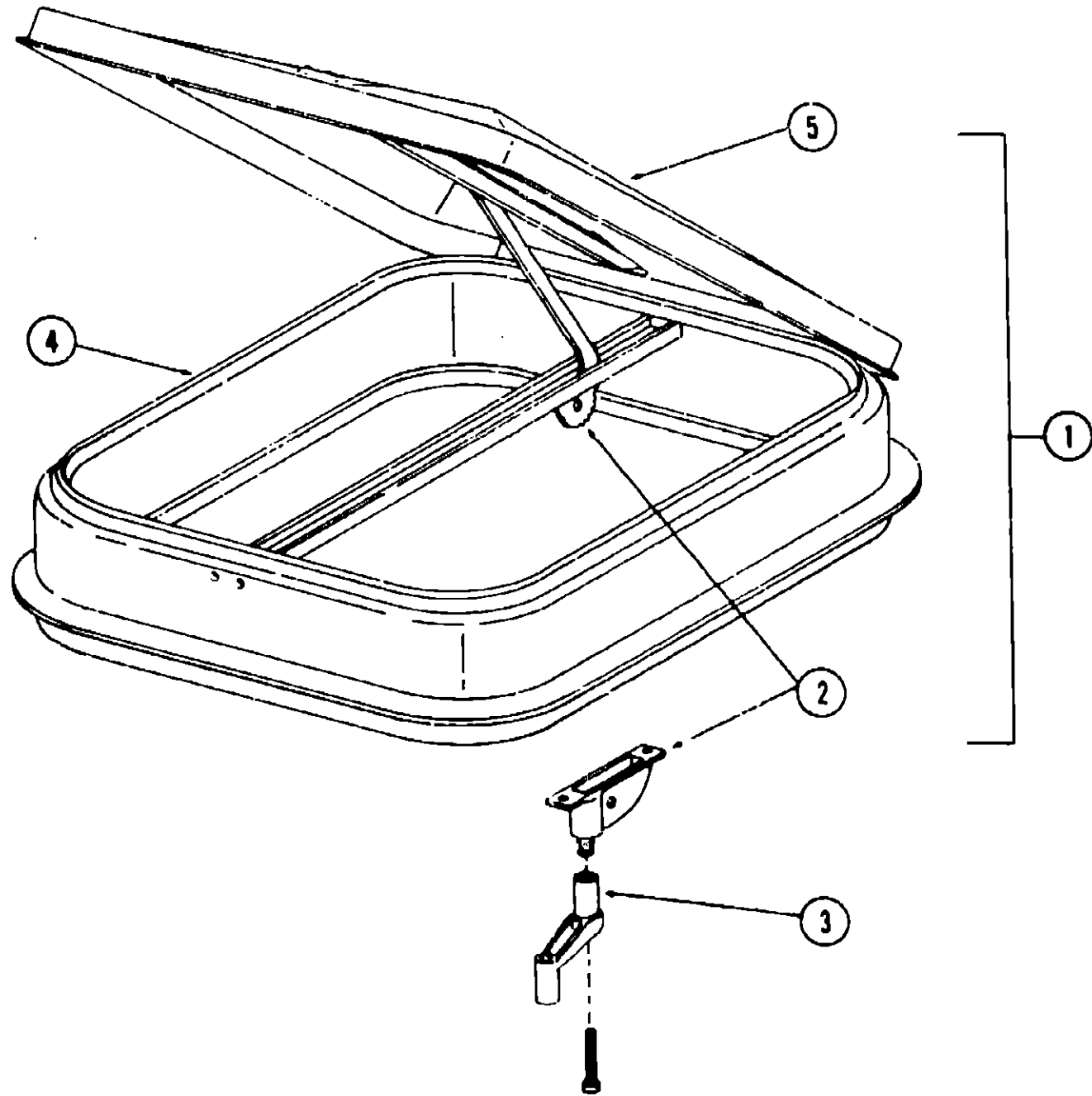
MWRG	A-1 - B-6
MWRB	B-7 - C-14
MWRD	C-15 - D-20
D24	D-21 - F-6

1975 MWRD INDEX

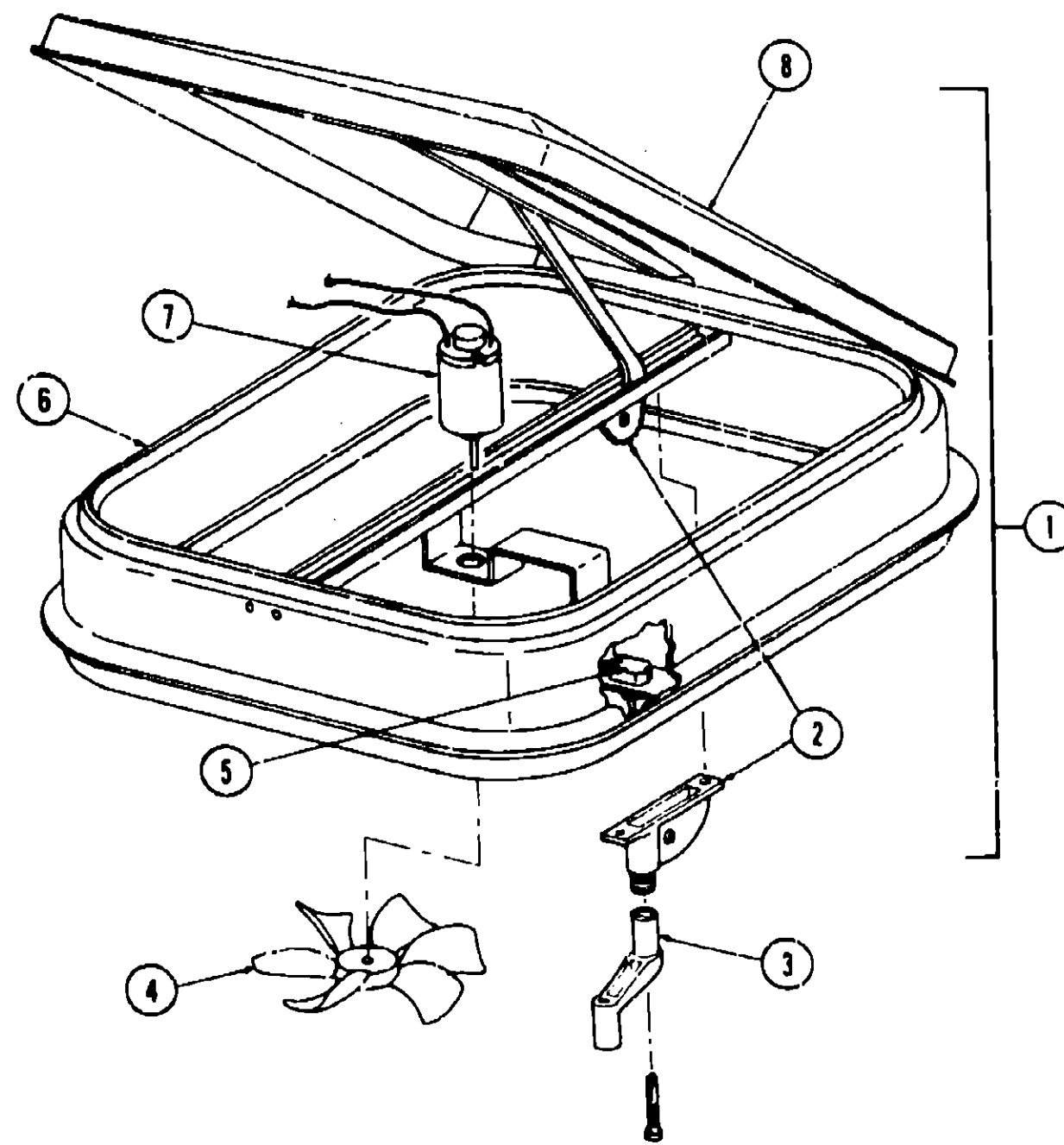
Floor Plan	C-15 - C-16
Accessories Group	C-17
Bath Group	C-18
Chassis Group	C-19
Curtain, Cushion & Pad Group	C-20 - C-21
Dinette Group	C-22
Driver's Compartment Group	C-22
Electrical Group	C-23 - C-24
Exterior Body Group	D-1 - D-4
Galley Group	D-5
Heating & Air Conditioning Group	D-6
Interior Finish Group	D-7 - D-8
LP Group	D-9
Water & Sewage Group	D-9
Window, Vent & Exterior Door Group	D-10 - D-20

WINDOW, VENT AND EXTERIOR DOOR GROUP (CONTINUED)

WINDOW, VENT AND EXTERIOR DOOR GROUP (CONTINUED)



Key	Part Number	U/M	Description
1	048835-01-000	EA	Vent Asm. - Roof - Nonpowered - w/o Screen
2	009440-01-000	EA	Gear - Arm. - Roof Vent
3	009439-01-000	EA	Crank - Roof Vent
4	002825-01-000	FT	Weatherstrip - Roof Vent
5	046825-01-000	EA	Cover - Plastic - Roof Vent
•	016335-01-000	EA	Screen Asm. - Nonpower Roof Vent - Clear Anod. (not included in assembly)
•	016335-03-000	EA	Screen Asm. - Non Powered Roof Vent - Beige (not included in assembly)
•	Not Illustrated		



Key	Part Number	U/M	Description
1	048789-01-000	EA	Vent Asm. - Roof - Powered - w/o Screen
2	009440-01-000	EA	Gear - Arm - Roof Vent
3	009439-01-000	EA	Crank - Roof Vent
4	048649-01-000	EA	Fan - Blade - 6" - Plastic
•	009442-01-000	EA	Fan - Blade - Alum.
5	008195-01-000	EA	Switch - Push Button - 12 Volt
6	002825-01-000	FT	Weatherstrip - Roof Vent
7	048648-01-000	EA	Motor - 12 Volt (Vent w/Plastic Fan)
•	009441-01-000	EA	Motor - 12 Volt (Vent w/Alum. Fan)
8	046825-01-000	EA	Cover - Plastic - Roof Vent (Vent w/Plastic Fan)
•	016336-01-000	EA	Cover - Plastic - Roof Vent (Vent w/Alum. Fan)
•	048695-01-000	EA	Screen Asm. - Powered Roof Vent - Clear Anod. - Vent w/Plastic Fan (not included w/assembly)
•	016337-01-000	EA	Screen Asm. - Powered Roof Vent - Clear Anod. - Vent w/Alum. Fan (not included w/assembly)
•	Not Illustrated		

1975 WINNEBAGO
TABLE OF CONTENTS

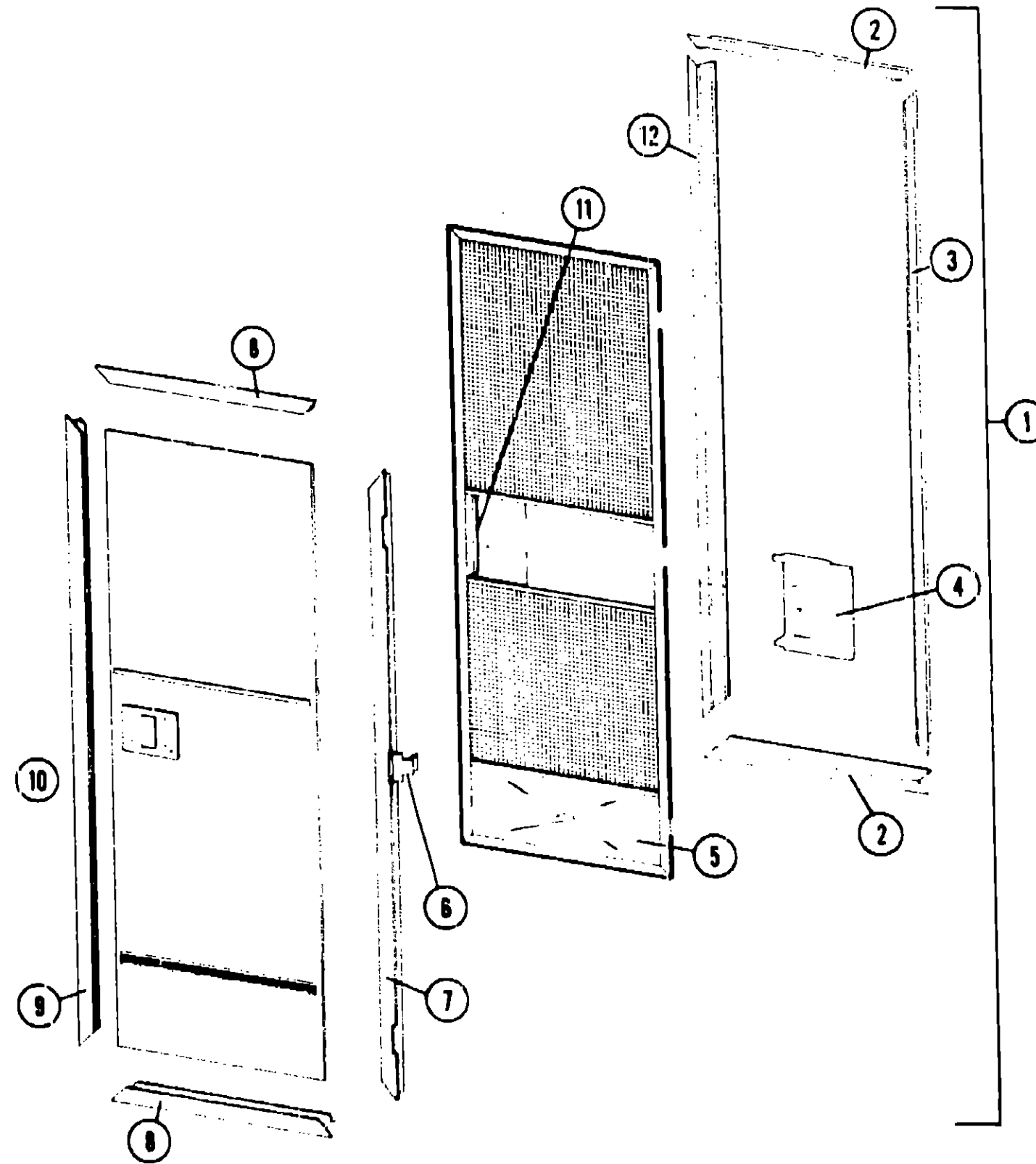
MWRG
MWRB
MWRD
D24

A-1 - B-6
B-7 - C-14
C-15 - D-20
D-21 - F-6

1975 MWRD INDEX

Floor Plan	C-15 - C-16
Accessories Group	C-17
Bath Group	C-18
Chassis Group	C-19
Curtain, Cushion & Pad Group	C-20 - C-21
Dinette Group	C-22
Driver's Compartment Group	C-22
Electrical Group	C-23 - C-24
Exterior Body Group	D-1 - D-4
Galley Group	D-5
Heating & Air Conditioning Group	D-6
Interior Finish Group	D-7 - D-8
LP Group	D-9
Water & Sewage Group	(I)-9
Window, Vent & Exterior Door Group	D-10 - D-20

WINDOW, VENT AND EXTERIOR DOOR GROUP (CONTINUED)



Key	Part Number	U/M	Description
1	035306-03-700	EA	Door Asm. - Entrance - Wormy Pecan
•	035306-03-000	EA	Door Asm. - Entrance - Maple
2	017288-03-000	EA	Jamb - Entry Door - Upper and Lower
3	023012-02-000	EA	Jamb - Entry Door - Right
4	015580-01-000	EA	Slider - Screen Door - Plastic
5	017670-01-000	EA	Door Asm. - Screen - 26" x 73"
6	024650-01-000	EA	Hinge - Entry Door - Screen Door
7	017376-02-000	EA	Frame - Entry Door - Right
8	017283-02-000	EA	Frame - Entry Door - Upper and Lower
9	017377-02-000	EA	Frame - Entry Door - Left
10	024094-01-000	EA	Latch - Entry Door - Hartwell

Key	Part Number	U/M	Description
11	015581-01-000	EA	Cap - Screen Door - Plastic
12	023011-02-000	EA	Jamb - Entry Door - Left
•	002702-01-000	FT	Weatherstrip - Bulb T - Vinyl
•	002703-01-000	FT	Weatherstrip - Bulb L - Vinyl
•	002712-01-000	EA	Hinge Pin - Upper
•	002718-01-000	EA	Hinge Pin - Lower
•	002002-01-000	EA	Drip Cap - 31" - Alum.
•	009011-01-000	EA	Lock - Deadbolt - 2 3/4"
•	039863-01-000	EA	Catch Asm. - Single Roller w/Strike - Screen Door
•	009016-01-000	EA	Catch - Elbow - Spring Loaded - Screen Door
•	•	•	Not Illustrated

1975 WINNEBAGO
TABLE OF CONTENTS

MWRG
MWRB
MWRD
D24

A-1 - B-6
B-7 - C-14
C-15 - D-20
D-21 - F-6

1975 MWRD INDEX

Floor Plan	C-15 - C-16
Accessories Group	C-17
Bath Group	C-18
Chassis Group	C-19
Curtain, Cushion & Pad Group	C-20 - C-21
Dinette Group	C-22
Driver's Compartment Group	C-22
Electrical Group	C-23 - C-24
Exterior Body Group	D-1 - D-4
Galley Group	D-5
Heating & Air Conditioning Group	D-6
Interior Finish Group	D-7 - D-8
LP Group	D-9
Water & Sewage Group	D-9
Window, Vent & Exterior Door Group	D-10 - D-20

WINDOW, VENT AND EXTERIOR DOOR GROUP (CONTINUED)

BUNK WINDOWS AND VENTS

Key	Part Number	U/M	Description
	002054-01-000	EA	Window - Bunk - 8 1/8" x 17 7/8" - Crankout - Right - Hehr
	002056-01-000	EA	Window - Bunk - 8 1/8" x 17 7/8" - Crankout - Left - Hehr
	002050-01-000	EA	Window - Bunk - Pushout - Hehr
	009407-01-000	EA	Base - Frame - Refrigerator Roof Vent w/o Cover
	039778-01-000	EA	Cover - Refrigerator Roof Vent - Plastic
	003212-02-000	EA	Vent - Stove Hood - Outside - Non Powered - Strawsine

ACCESS DOORS

Key	Part Number	U/M	Description
	022583-02-000	EA	Door Asm. - LP - Off White
	033641-02-000	EA	Door Asm. - Plastic w/Frame 6.50" x 10.12" - Off White
	034974-02-000	EA	Door Asm. - Luggage - Off White
	037807-02-000	EA	Door Asm. - Refrigerator Access - Off White
	042585-01-000	EA	Door Asm. - Generator - Off White
	039884-01-000	gea	Kit - Twist Type Lock w/Clip
	047305-01-000	EA	Kit - Key Type Lock w/Clip

1975 WINNEBAGO TABLE OF CONTENTS

MWRG	A-1 - B-6
MWRB	B-7 - C-14
MWRD	C-15 - D-20
D24	D-21 - F-6

1975 MWRD INDEX

Floor Plan	C-15 - C-16
Accessories Group	C-17
Bath Group	C-18
Chassis Group	C-19
Curtain, Cushion & Pad Group	C-20 - C-21
Dinette Group	C-22
Driver's Compartment Group	C-22
Electrical Group	C-23 - C-24
Exterior Body Group	D-1 - D-4
Galley Group	D-5
Heating & Air Conditioning Group	D-6
Interior Finish Group	D-7 - D-8
LP Group	D-9
Water & Sewage Group	D-9
Window, Vent & Exterior Door Group	D-10 - D-20