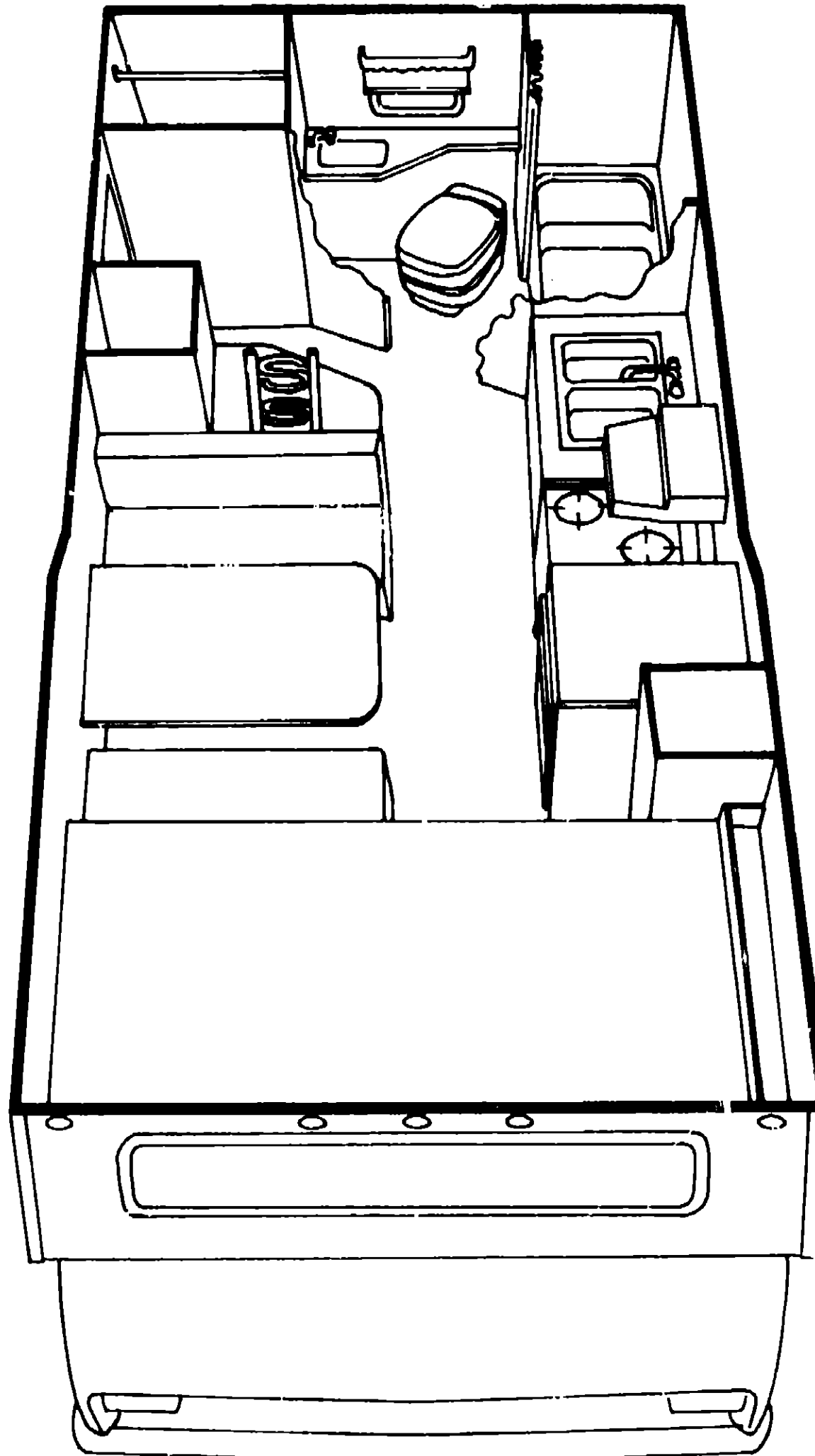


1975 MWRB



1975 WINNEBAGO TABLE OF CONTENTS

MWRG
MWRB
MWRD
D24

A-1 - B-6
B-7 - C-14
C-15 - D-20
D-21 - F-6

IMPORTANT

Two varieties of paneling (Wormy Pecan and Maple) were used for cabinetry in this unit. Therefore it is necessary to determine which paneling was used before ordering replacement cabinetry.

Refer to the Color Material Guide to aid in making the selection.

1975 MWRB INDEX

Floor Plan	B-7 - B-8
Accessories Group	B-9
Bath Group	B-10
Chassis Group	B-11
Curtain, Cushion & Pad Group	B-12 - B-14
Dinette Group	B-15
Driver's Compartment Group	B-16
Electrical Group	B-17 - B-18
Exterior Body Group	B-19 - B-22
Galley Group	B-23
Heating & Air Conditioning Group	B-24
Interior Finish Group	C-1 - C-2
LP Group	C-3
Water & Sewage Group	C-3
Window, Vent & Exterior Door Group	C-4 - C-14

ACCESSORIES GROUP

RADIO3 AND RELATED COMPONENTS

Key	Part Number	U/M	Description
	039879-01-000	EA	Kit - Radio Speaker - 5 1/4" w/Cover
	049730-01-000	EA	Radio - AM w/Fader - Clarion
	049731-01-000	EA	Radio - AM/FM/MPX - w/Fader - Clarion
	049732-01-000	EA	Radio - AM/FM/MPX - 8 Track - w/Fader - Clarion
	007004-01-000	EA	Antenna - Radio - Cab Mount

SPEED CONTROL AND COMPONENTS

Key	Part Number	U/M	Description
	007298-01-000	EA	Speed Control Package - 360 Dodge - Lever Type - C-Body
	007255-01-700	EA	Regulator Asm.
	007298-01-701	EA	Servo Asm.
	007298-01-702	EA	Switch - Engage Lever
	007298-01-700	EA	Cable Asm. - Transmission - 22"
	007255-01-704	EA	Switch Asm. - Decelerate
	024746-01-700	EA	Relay - Speed Control

GENERATORS AND INSTALLATION KITS

Key	Part Number	U/M	Description
	007294-01-000	EA	Generator - Onan - 2500 Watt - w/Mounting Bolts and Rubber Feet -AJ
	039237-01-000	EA	Kit - 2500 Onan Installation w/o Bolt Package and Rubber Feet
	007131-01-000	EA	Hanger - Tailpipe
	023772-01-000	EA	Muffler - Generator
	007125-04-000	EA	Clamp Asm. - Muffler - 1.12" Dia.
	007125-01-000	EA	Clamp Asm. - Muffler - 1.62" Dia.
	007125-02-000	EA	Clamp Asm. - Muffler - 1.25" Dia.
	023586-01-000	EA	Scoop - Generator - Air
	007067-01-000	SF	Insulation - Fiberglass - 1"
	007059-02-000	EA	Bolt Package - Generator Mounting
	007059-03-000	EA	Foot - Rubber - Generator Mounting
	031035-01-000	EA	Gauge - Hourmeter
	008274-01-000	EA	Switch - Generator

MISCELLANEOUS ACCESSORIES

Key	Part Number	U/M	Description
	044148-01-000	EA	TV - Color - 13" Sharp
	006093-01-000	EA	Jack - TV - Brown
	006053-01-000	EA	Antenna - TV - Braund Delux
	041944-01-700	EA	Fire Extinguisher w/Bracket - Dry Chemical
	017516-01-000	EA	Mud Flap - 14" x 18" w/Holes
	006113-01-000	EA	Jack - Hydraulic - 5 Ton
	006091-01-000	EA	Tray Cutlery - Gold
	006060-01-000	EA	Purification System - Everpure - Water
	006060-02-000	EA	Cartridge - Replacement - Everpure
	031396-01-000	EA	Cover - Wheel - 17.5" - Chrome
	047337-01-000	EA	Mirror - Outside - West Coast - 6" x 10" - Stainless Steel
	034410-09-000	EA	Cover - Spare Tire

BATH GROUP

Key	Part Number	U/M	Description
	039275-01-700	EA	Door Asm. - Bathroom - 72" x 19" w/o Hardware - Wormy Pecan
	039275-01-701	EA	Door Asm. - Bathroom - 72" x 19" w/o Hardware - Maple
	039271-01-700	EA	Cabinet Asm. - Lavatory - w/o Countertop, Doors or Hardware - Wormy Pecan
	039271-01-701	EA	Cabinet Asm. - Lavatory - w/o Countertop, Doors or Hardware - Maple
	039271-01-702	EA	Door Asm. - Lavatory Cabinet - 12 1/2" x 31" - w/o Hardware - Wormy Pecan
	039271-01-703	EA	Door Asm. - Lavatory Cabinet - 12 1/2" x 31" w/o Hardware - Maple
	039271-01-704	EA	Countertop Asm. - Lavatory Cabinet - Butcher Block
	039272-01-700	EA	Cabinet Asm. - Vanity Overhead - w/o Doors or Hardware - Wormy Pecan
	039272-01-701	EA	Cabinet Asm. - Vanity Overhead - w/o Doors or Hardware - Maple
	039272-01-702	EA	Door Asm. - Vanity Overhead Cabinet - 21 1/8" x 8 3/4" - w/o Hardware - Wormy Pecan
	039272-01-703	EA	Door Asm. - Vanity Overhead Cabinet - 21 1/8" x 8 3/4" - w/o Hardware - Maple
	039273-01-700	EA	Door Asm. - Rear Wardrobe - 56 5/16" x 20 1/8" - w/o Hardware - Wormy Pecan
	039273-01-701	EA	Door Asm. - Rear Wardrobe - 56 5/16" x 20 1/8" - w/o Hardware - Maple
	009136-01-000	EA	Pin - Shower Curtain
	017684-01-000	EA	Track - Curtain - Shower
	011048-01-000	EA	Shower Head - w/60" Hose
	011069-01-000	EA	Tailpiece - Drain - 1 1/4" x 4" Brass
	011086-01-000	EA	Strainer - Drain - Shower Pan
	016747-05-000	EA	Tub - Bath - White - Plastic
	011125-01-000	FT	Molding - Tub - White
	016857-02-000	EA	Lavatory - Plastic - White - 11" x 15"
	031558-01-000	EA	Faucet - Tub and Shower
	009133-02-000	EA	Bar - Towel Rack - 18" - Plastic
	023449-01-000	EA	Support - Towel Rack - Chrome - Left or Right
	009134-01-000	EA	Holder - Toilet Tissue
	009124-01-000	EA	Lock - Door - Push Button Brass
	009252-01-000	EA	Cabinet Medicine - Strawsline
	009256-01-000	EA	Mirror - Cabinet - 9 7/8" x 14 7/8"
	009084-01-000	EA	Mirror - 1/8" x 11" x 16"
	009089-01-000	EA	Clip - Mirror - Plastic w/Screw
**	033327-01-000	EA	Toilet - Electra Magic w/o Seat and Lid
**	039341-01-000	EA	Toilet - Aqua Magic Model SH - White - w/o Seat and Lid

**The illustrated parts breakdown for this item is provided on the Common Items Fiche.

1975 WINNEBAGO TABLE OF CONTENTS

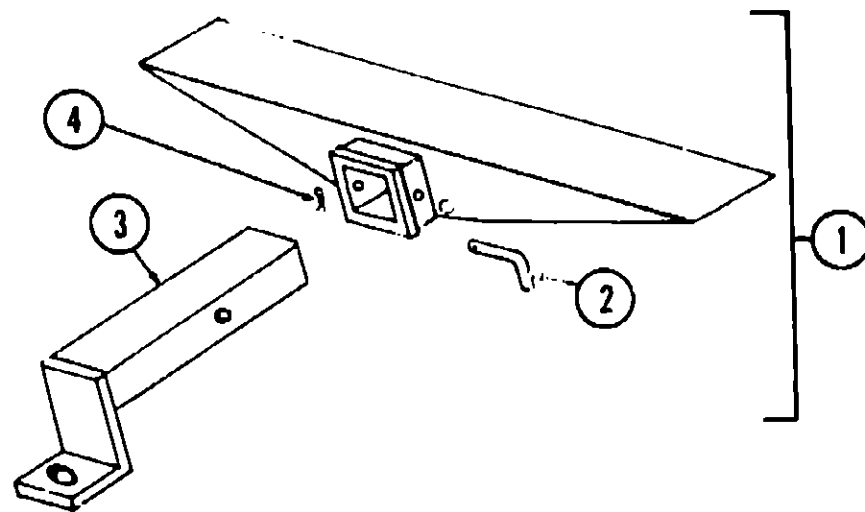
MWRG	A-1 - B-6
MWRB	B-7 - C-14
MWRD	C-15 - D-20
D24	D-21 - F-6

1975 MWRB INDEX

Floor Plan	B-7 - B-8
Accessories Group	B-9
Bath Group	B-10
Chassis Group	B-11
Curtain, Cushion & Pad Group	B-12 - B-14
Dinette Group	B-15
Driver's Compartment Group	B-16
Electrical Group	B-17 - B-18
Exterior Body Group	B-19 - B-22
Galley Group	B-23
Heating & Air Conditioning Group	B-24
Interior Finish Group	C-1 - C-2
LP Group	C-3
Water & Sewage Group	C-3
Window, Vent & Exterior Door Group	C-4 - C-14

CHASSIS GROUP

Key	Part Number	U/M	Description
	024652-01-700	EA	Step Asm. - Entry Door
	021546-01-000	EA	Bumper Asm. - Square - 4" x 4" x 93"
	039779-01-000	EA	Cap - Rubber - 4" x 4" - Bumper End
	022150-01-000	EA	Bracket Asm. - Rear Bumper w/o Tire Carrier
	022870-01-000	EA	Support - Roll Bar
	007125-06-000	EA	Clamp Asm. - Muffler - 2.25" Dia.
	007131-01-000	EA	Hanger - Tall Pipe
	022655-01-000	EA	Tall Pipe - 2 1/4" x 13"
	039687-01-000	EA	Elbow - Exhaust - 90° - 2 1/2" O.D. - Pipe
	040046-01-000	EA	Compartment - LP - Horizontal - Plastic



Key	Part Number	U/M	Description
1	023695-02-700	EA	Hitch Kit - Minnie Winnie w/Drawbar
2	034512-01-000	EA	Pin - Locking Drawbar
3	024876-01-000	EA	Drawbar Asm. - Trailer Hitch
4	034513-01-000	EA	Pin - Hitch - 3/16" - Wire Spring

CURTAIN, CUSHION AND PAD GROUP

CURTAINS

Key	Part Number	U/M	Description
	041143-23-000	EA	Curtain - Overdrape - 25" x 45" - Right - Green
	041143-24-000	EA	Curtain - Overdrape - 25" x 45" - Right Orange
	041143-25-000	EA	Curtain - Overdrape - 25" x 45" - Right Blue
	041144-23-000	EA	Curtain - Overdrape - 25" x 45" - Left - Green
	044144-24-000	EA	Curtain - Overdrape - 25" x 45" - Left - Orange
	041144-24-000	EA	Curtain - Overdrape - 25" x 45" - Left - Blue
	040406-05-000	EA	Curtain - Underdrape - 24.5" x 37" - Phoenix
	040406-14-000	EA	Curtain - Underdrape - 19" x 42" - Phoenix
	040406-28-000	EA	Curtain - Underdrape - 23" x 38" - Phoenix
	033311-01-000	EA	Curtain - Blackout - 53" x 96" - Oxen Tan Vinyl
	033311-02-000	EA	Curtain - Blackout - 43" x 72" - Oxen Tan Vinyl
	033315-27-000	EA	Curtain - Privacy - 25" x 86" - Phoenix

VALANCES, TIE BACKS AND SHADES

Key	Part Number	U/M	Description
	038328-22-000	EA	Valance - 6" x 94" - Green
	038328-23-000	EA	Valance - 6" x 94" - Orange
	038328-24-000	EA	Valance - 6" x 94" - Blue
	038328-25-000	EA	Valance - 6" x 45" - Green
	038328-26-000	EA	Valance - 6" x 45" - Orange
	038328-27-000	EA	Valance - 6" x 45" - Blue
	031843-17-000	EA	Tieback - Curtain - Oxen Tan Vinyl
	031816-01-000	EA	Shade - Window - 27" x 38" Long
	031816-07-000	EA	Shade - Window - 20 1/2" x 34" Long
	031816-17-000	EA	Shade - Window - 14.62" x 36" Long

CURTAIN HARDWARE

Key	Part Number	U/M	Description
	009221-01-000	EA	Rod - Curtain - Flat - Extends 11" - 14"
	037872-01-000	EA	Rod - Curtain - Double - Flat - Extends - 48" - 84"
	037872-02-000	EA	Bracket - Double Curtain Rod
	037872-03-000	EA	Rod - Curtain - Double - Flat - Extends - 28" - 48"
	052327-04-236	EA	Curtain Track - 89" Brown Alum. w/Holes (Replace 009108-01-000 Brown Plastic Track)
	009107-01-000	EA	Guide - Nylon - Curtain
	009701-01-000	EA	Carrier w/Rollers - Curtain - "L" Rod
	009702-01-000	EA	End Stop - Curtain Track - "L" Rod
	018031-42-000	EA	Track - Curtain "L" Rod - Alum. - 90"
	009136-01-000	EA	Hook - Shower Curtain
	029100-01-000	EA	Hook - Privacy Curtain

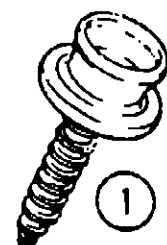
1975 WINNEBAGO TABLE OF CONTENTS

MWRG	A-1 - B-6
MWRB	B-7 - C-14
MWRD	C-15 - D-20
D24	D-21 - F-6

1975 MWRB INDEX

Floor Plan	B-7 - B-8
Accessories Group	B-9
Bath Group	B-10
Chassis Group	B-11
Curtain, Cushion & Pad Group	B-12 - B-14
Dinette Group	B-15
Driver's Compartment Group	B-16
Electrical Group	B-17 - B-18
Exterior Body Group	B-19 - B-22
Galley Group	B-23
Heating & Air Conditioning Group	B-24
Interior Finish Group	C-1 - C-2
LP Group	C-3
Water & Sewage Group	C-3
Window, Vent & Exterior Door Group	C-4 - C-14

CURTAIN, CUSHION AND PAD GROUP (CONTINUED)



Key	Part Number	U/M	Description
1	029130-01-000	EA	Socket - Snap Fasteners - 7" x 5/8" (Tiebacks)
2	029155-01-000	EA	Cap - Snap - .156" Dia. x .17" Barrel (Tiebacks)
3	029156-01-000	EA	Socket - Snap Fastener (Tiebacks)
4	029092-01-000	EA	Stud - Nickel Finish (Curtains)
5	029093-01-000	EA	Eyelet - Nickel Finish (Curtains)

DINETTE CUSHIONS

Key	Part Number	U/M	Description
	039930-44-000	EA	Cushion - Dinette Bottom - 21 3/4" x 38" x 5" - Green
	039930-45-000	EA	Cushion - Dinette Bottom - 21 3/4" x 38" x 5" - Orange
	039930-46-000	EA	Cushion - Dinette Bottom - 21 3/4" x 38" x 5" - Blue
	039930-44-044	EA	Cover - Dinette Bottom Cushion - 21 3/4" x 38" x 5" - Green
	039930-45-045	EA	Cover - Dinette Bottom Cushion - 21 3/4" x 38" x 5" - Orange
	039930-46-046	EA	Cover - Dinette Bottom Cushion - 21 3/4" x 38" x 5" - Blue
	039930-50-000	EA	Cushion - Dinette Back w/Snaps - 14 1/4" x 38" x 5" - Green
	039930-51-000	EA	Cushion - Dinette Back w/Snaps - 14 1/4" x 38" x 5" - Orange
	039930-52-000	EA	Cushion - Dinette Back w/Snaps - 14 1/4" x 38" x 5" - Blue
	039930-50-050	EA	Cover - Dinette Back Cushion w/Snaps - 14 1/4" x 38" x 5" - Green
	039930-51-051	EA	Cover - Dinette Back Cushion w/Snaps - 14 1/4" x 38" x 5" - Orange
	039930-52-052	EA	Cover - Dinette Back Cushion w/Snaps - 14 1/4" x 38" x 5" - Blue

MATTRESSES

Key	Part Number	U/M	Description
	036408-05-000	EA	Mattress - 49" x 89" x 4" - Green
	036408-06-000	EA	Mattress - 49" x 89" x 4" - Orange
	036408-07-000	EA	Mattress - 49" x 89" x 4" - Blue
	036408-05-005	EA	Cover - Mattress - 49" x 89" x 4" - Green
	036408-06-006	EA	Cover - Mattress - 49" x 89" x 4" - Orange
	036408-07-007	EA	Cover - Mattress - 49" x 89" x 4" - Blue
	040500-24-000	EA	Mattress - 2 Fold - 44" x 47" x 4" - Green
	040500-25-000	EA	Mattress - 2 Fold - 44" x 47" x 4" - Orange
	040500-26-000	EA	Mattress - 2 Fold - 44" x 47" x 4" - Blue
	040500-24-024	EA	Cover - Mattress - 2 Fold - 44" x 47" x 4" - Green
	040500-25-025	EA	Cover - Mattress - 2 Fold - 44" x 47" x 4" - Orange
	040500-26-026	EA	Cover - Mattress - 2 Fold - 44" x 47" x 4" - Blue

CURTAIN, CUSHION AND PAD GROUP (CONTINUED)

BUCKET SEAT COVERS

Key	Part Number	U/M	Description
	044807-01-700	EA	Cover - Dodge Bucket Seat - Back - Green
	044807-02-700	EA	Cover - Dodge Bucket Seat - Back - Orange
	044807-03-700	EA	Cover - Dodge Bucket Seat - Back - Blue
	044807-01-701	EA	Cover - Dodge Bucket Seat - Bottom - Green
	044807-02-701	EA	Cover - Dodge Bucket Seat - Bottom - Orange
	044807-03-701	EA	Cover - Dodge Bucket Seat - Bottom - Blue

FABRICS

Key	Part Number	U/M	Description
	037693-01-000	YD	Fabric - Upholstery - Green
	037693-02-000	YD	Fabric - Upholstery - Orange
	037693-03-000	YD	Fabric - Upholstery - Blue
	037694-01-000	YD	Fabric - Overdrape - Green
	037694-02-000	YD	Fabric - Overdrape - Orange
	037694-03-000	YD	Fabric - Overdrape - Blue
	029248-01-000	YD	Fabric - Underdrape - Phoenix
	024918-03-000	YD	Vinyl - Oxen Tan

PADS

Key	Part Number	U/M	Description
	044810-01-000	EA	Panel - Cab Door Right - Green
	044810-02-000	EA	Panel - Cab Door Right - Orange
	044810-03-000	EA	Panel - Cab Door Right - Blue
	044811-01-000	EA	Panel - Cab Door Left - Green
	044811-02-000	EA	Panel - Cab Door Left - Orange
	044811-03-000	EA	Panel - Cab Door Left - Blue
	041371-01-000	EA	Pad - 8" x 9 1/2" - Oxen Tan Vinyl
	041370-01-000	EA	Pad - Center Sleeper Board - 3" x 36 1/4" - Oxen Tan Vinyl
	041262-01-000	EA	Pad - Right Sleeper Board - 5 1/2" x 24" - Oxen Tan Vinyl
	041262-02-000	EA	Pad - Left Sleeper Board - 5 1/2" x 24" - Oxen Tan Vinyl
	033312-01-000	EA	Pad - Cab Right - 4" x 33" - Oxen Tan Vinyl
	033313-01-000	EA	Pad - Cab Left - 4" x 33" - Oxen Tan Vinyl
	033314-01-000	EA	Pad - Bunk Rail Divider - 74 3/4" - Oxen Tan Vinyl

**1975 WINNEBAGO
TABLE OF CONTENTS**

MWRG	A-1 - B-6
MWRB	B-7 - C-14
MWRD	C-15 - D-20
D24	D-21 - F-6

1975 MWRB INDEX

Floor Plan	B-7 - B-8
Accessories Group	B-9
Bath Group	B-10
Chassis Group	B-11
Curtain, Cushion & Pad Group	B-12 - B-14
Dinette Group	B-15
Driver's Compartment Group	B-16
Electrical Group	B-17 - B-18
Exterior Body Group	B-19 - B-22
Galley Group	B-23
Heating & Air Conditioning Group	B-24
Interior Finish Group	C-1 - C-2
LP Group	C-3
Water & Sewage Group	C-3
Window, Vent & Exterior Door Group	C-4 - C-14

DINETTE GROUP

Key	Part Number	U/M	Description
	024274-11-700	EA	Table Asm. - Dinette w/o Hardware - Butcher Block
	047809-01-000	EA	Kit - Hardware -Dinette Table - Wall Mount
	047842-01-000	EA	Kit - Table Leg - Brown
	031333-01-700	EA	Cabinet Asm. - Front Dinette Seat - w/o Hardware - Wormy Pecan
	031333-01-701	EA	Cabinet Asm. - Front Dinette Seat - w/o Hardware - Maple
	031333-01-702	EA	Door Asm. - Dinette Seat Cabinet - 14" x 11 3/4" - w/o Hardware - Wormy Pecan
	031333-01-703	EA	Door Asm. - Dinette Seat Cabinet - 14" x 11 3/4" - w/o Hardware - Maple
	034090-01-000	EA	Cabinet Asm. - Rear Dinette Seat - Wormy Pecan
	034090-01-700	EA	Cabinet Asm. - Rear Dinette Seat - Maple
	039047-01-700	EA	Cabinet Asm. - Front Wardrobe - w/o Door or Hardware - Wormy Pecan
	039047-01-701	EA	Cabinet Asm. - Front Wardrobe - w/o Door or Hardware - Maple
	039047-01-702	EA	Door Asm. - Front Wardrobe - 9 1/2" x 40" - w/o Hardware - Wormy Pecan
	039047-01-703	EA	Door Asm. - Front Wardrobe - 9 1/2" x 40" - w/o Hardware - Maple
	039052-01-700	EA	Cabinet Asm. - Furnace - w/o Door or Countertop - Wormy Pecan
	039052-01-701	EA	Cabinet Asm. - Furnace - w/o Door or Countertop - Maple
	039052-01-702	EA	Door Asm. - Furnace Cabinet w/Insert - w/o Hardware - 14 1/2" x 16 1/2" - Wormy Pecan
	039052-01-703	EA	Door Asm. - Furnace Cabinet w/Insert - w/o Hardware - 14 1/2" x 16 1/2" - Maple
	024730-01-000	EA	Grille Asm. - Furnace Door - Brown (2 required per door)
	039052-01-704	EA	Countertop Asm. - Furnace Cabinet - Butcher Block
	039100-01-700	EA	Cabinet Asm. - Dinette Overhead w/o Doors or Hardware - Wormy Pecan
	039100-01-701	EA	Cabinet Asm. - Dinette Overhead w/o Doors or Hardware - Maple
	039100-01-702	EA	Door Asm. - Dinette Overhead Cabinet - 25 7/8" x 12" - w/o Hardware - Wormy Pecan
	039100-01-703	EA	Door Asm. - Dinette Overhead Cabinet - 25 7/8" x 12" - w/o Hardware - Maple
	017618-01-000	EA	Support - Wrought Iron - 44 1/4"

DRIVER'S COMPARTMENT GROUP

Key	Part Number	U/M	Description
	024459-01-000	EA	Gauge - Voltmeter
	024462-01-000	EA	Switch - Battery Condition
	043800-01-000	EA	Tray - Beverage - Black Plastic
	007021-01-000	EA	Belt Asm. - Seat - 2" x 90" - Black
	041322-01-000	EA	Washer - Flat - 15/32" I.D. x 2 3/8" O.D. (Seat Belt)
	041944-01-700	EA	Fire Extinguisher - Dry Chemical w/Bracket
	007019-01-000	EA	Belt Asm. - Seat - 2" x 84" - Black
	036414-01-000	EA	Ashtray - Metal

1975 WINNEBAGO TABLE OF CONTENTS

MWRG
MWRB
MWRD
D24

A-1 - B-6
B-7 - C-14
C-15 - D-20
D-21 - F-6

1975 MWRB INDEX

Floor Plan	R-7 - B-8
Accessories Group	B-9
Bath Group	B-10
Chassis Group	B-11
Curtain, Cushion & Pad Group	B-12 - B-14
Dinette Group	B-15
Driver's Compartment Group	B-16
Electrical Group	B-17 - B-18
Exterior Body Group	B-19 - B-22
Galley Group	B-23
Heating & Air Conditioning Group	B-24
Interior Finish Group	C-1 - C-2
LP Group	C-3
Water & Sewage Group	C-3
Window, Vent & Exterior Door Group	C-4 - C-14

ELECTRICAL GROUP

BULBS

Key	Part Number	U/M	Description
	037935-01-000	EA	Bulb - 1157
	038010-01-000	EA	Bulb - 1143
	008103-01-000	EA	Bulb - 53
	008214-01-000	EA	Bulb - 67
	008215-01-000	EA	Bulb - 1003
	008216-01-000	EA	Bulb - 1034
	008217-01-000	EA	Bulb - 1071
	008218-01-000	EA	Bulb - 1141
	008219-01-000	EA	Bulb - 656
	008220-01-000	EA	Bulb - 12 Volt - 25 Watt
	036196-01-000	EA	Bulb - 194
	700020-01-000	EA	Bulb - 12 Volt - 20 Watt 1383
	008213-01-000	EA	Bulb - 57

EXTERIOR LIGHTS

Key	Part Number	U/M	Description
	008089-01-000	EA	Light - Porch - Recessed
	039866-01-000	EA	Clearance Light Round - Amber w/Base
	039865-01-000	EA	Clearance Light Round - Red w/Base
	033562-01-000	EA	Light - Clearance - Amber - Oval - 2 Bulb w/Ground
	033748-01-000	EA	Light - Clearance - Amber - Oval - 1 Bulb w/Ground
	035748-02-000	EA	Light - Clearance - Red - Oval - 1 Bulb w/Ground
	031054-01-000	EA	Lamp Asm. - Tail - Left - White
	031055-01-000	EA	Lamp Asm. - Tail - Right - White
	031054-01-701	EA	Lens - Taillamp - Left
	031055-01-700	EA	Lens - Taillamp - Right

INTERIOR LIGHTS

Key	Part Number	U/M	Description
	007309-01-000	EA	Light - Stepwell
	024473-01-000	EA	Light - Aircraft - 1 Bulb Gold
	033508-01-000	EA	Light - Dome - 1 Bulb
	033509-01-000	EA	Light - Dome - 2 Bulb
	024642-01-701	EA	Lens - Dome Light - 1 Bulb
	024643-01-701	EA	Lens - Dome Light - 2 Bulb
	039859-01-000	EA	Lighter- w/Night Light & Wall Plate

ELECTRICAL GROUP (CONTINUED)

FUSES AND CIRCUIT BREAKERS

Key	Part Number	U/M	Description
	008233-01-000	EA	Fuse - 12 Volt - 6 Amp
	008234-01-000	EA	Fuse - 12 Volt - 10 Amp.
	008235-01-000	EA	Fuse - 12 Volt - 15 Amp.
	008236-01-000	EA	Fuse - 12 Volt - 20 Amp.
	008248-01-000	EA	Fuse - 12 Volt - 30 Amp.
	008278-01-000	EA	Fuse - 12 Volt - 9 Amp.
	008251-01-000	EA	Fuse Holder - Black - Screw Type
	008212-01-000	EA	Circuit Breaker - 12 Volt - 5 Amp.
	008205-01-000	EA	Circuit Breaker - 12 Volt - 40 Amp.
	033573-01-000	EA	Circuit Breaker - 12 Volt - 20 Amp.
	008268-01-000	EA	Circuit Breaker - 12 Volt - 30 Amp.

WIRE, SWITCHES AND RECEPTACLES

Key	Part Number	U/M	Description
	008024-01-000	FT	Wire - 18.5 Bonded - Orange/White/Yellow/Blue/Brown
	008025-01-000	FT	Wire - 18.5 Bonded - Orange/White/Yellow/Blue/Green
	008028-01-000	FT	Wire - 18.5 Bonded - Blue/Red/Yellow/Orange/White
	008032-01-000	FT	Wire - 18.4 Bonded
	008195-01-000	EA	Switch - Push Button - 12 Volt
	006077-01-000	EA	Plaque - Compressor Switch
	008054-01-000	EA	Cord Power - 10-30 Amp. 25' - UL
	008058-01-000	EA	Adaptor - Power Cord
	024924-01-000	EA	Receptacle - Power Cord w/Plate
	008157-01-000	EA	Receptacle - Duplex - Brown
	047351-01-000	EA	Receptacle - Ground Fault Interrupter - 125 Volt - Black
	024571-01-000	EA	Cover Plate - Receptacle - Jumbo Steel - Brown
	008162-01-000	EA	Switch - Double Toggle - Spade Brown
	008163-01-000	EA	Switch - Toggle - Brown
	008164-01-000	EA	Cover Plate - Switch - Single Plastic - Brown

MISCELLANEOUS ELECTRICAL COMPONENTS

Key	Part Number	U/M	Description
	039859-01-000	EA	Lighter - w/Night Light and Wall Plate
	046775-01-000	EA	Valve Asm. - Fuel Change Over
	008188-01-000	EA	Solenoid - Dual Battery - Relay
	047389-01-000	EA	Battery - 12 Volt - 105 Amp. Deep Cycle Dry
	047338-01-000	EA	Isolator - Dual Battery
	024417-01-000	EA	Panel - Control - Water/Double Sewage - Wemac
	011024-01-000	EA	Sending Unit - Water Tank - 5 Wire
	039861-01-000	EA	Sending Unit Kit - Wemac
	024734-01-000	EA	Convertor - 20 Amp.
	008257-01-000	EA	Convertor - 30 Amp.

1975 WINNEBAGO TABLE OF CONTENTS

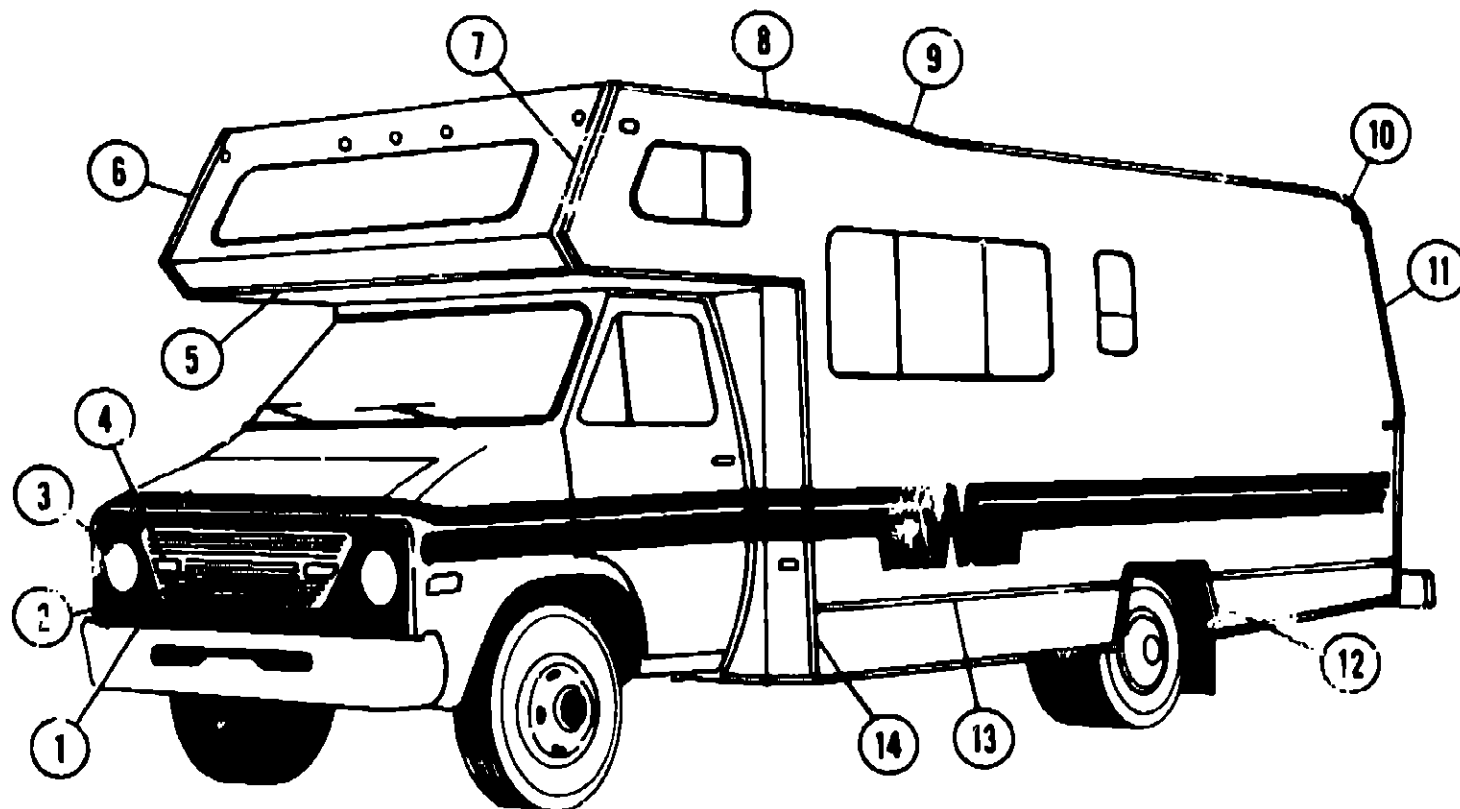
MWRG
MWRB
MWRD
D24

A-1 - B-6
B-7 - C-14
C-15 - D-20
D-21 - F-6

1975 MWRB INDEX

Floor Plan	B-7 - B-8
Accessories Group	B-9
Bath Group	B-10
Chassis Group	B-11
Curtain, Cushion & Pad Group	F-12 - B-14
Dinette Group	B-15
Driver's Compartment Group	B-16
Electrical Group	B-17 - B-18
Exterior Body Group	B-19 - B-22
Galley Group	B-23
Heating & Air Conditioning Group	B-24
Interior Finish Group	C-1 - C-2
LP Group	C-3
Water & Sewage Group	C-3
Window, Vent & Exterior Door Group	C-4 - C-14

EXTERIOR BODY GROUP



1975 WINNEBAGO TABLE OF CONTENTS

MWRG
MWRB
MWRD
D24

A-1 - B-6
B-7 - C-14
C-15 - D-20
D-21 - F-6

Key	Part Number	U/M	Description
1	020650-01-000	EA	Panel - Grille - Plastic
2	020651-01-000	EA	Grille Asm. - Aluminum
3	024661-01-000	EA	Trim Asm. - Grille - Outer - Complete
4	022203-01-000	EA	Bezel - Headlight - Left or Right
5	040203-01-000	EA	Light - Turn Signal - Amber - Left or Right
6	036478-02-000	EA	Trim - Sleeper Board - Front
7	039285-01-000	EA	Trim - Contour - Sleeper Section - Right
8	039285-02-000	EA	Trim - Contour - Sleeper Section - Left
9	036480-04-000	EA	Trim - Roof - Contour - Left
	036480-03-000	EA	Trim - Roof - Contour - Right
	036477-04-000	EA	Trim - Roof Angle - Left
	036477-03-000	EA	Trim - Roof Angle - Right

Key	Part Number	U/M	Description
10	036527-03-000	EA	Trim - Contour - Left - Rear Corner
	036527-02-000	EA	Trim - Contour - Right - Rear Corner
11	034916-06-000	EA	Trim - Contour - Left Rear
	034916-05-000	EA	Trim - Contour - Right Rear
12	036471-01-000	EA	Trim - Wheel Well - Left
	036471-02-000	EA	Trim - Wheel Well - Right
13	002444-02-003	EA	Extrusion - Anod. - Feature Strip - 16' - w/o Insert
	001030-03-002	EA	Insert - Feature Strip - .019" x 13/16" x 17' - Burnt Orange
	009731-01-000	EA	End Cap - Feature Strip
14	036476-04-000	EA	Trim - Wingwall - Left
	036476-03-000	EA	Trim - Wingwall - Right
	006238-01-000	EA	Nameplate - Grille - "Winnebago"
			Not Illustrated

1975 MWRB INDEX

Floor Plan	B-7 - B-8
Accessories Group	B-9
Bath Group	B-10
Chassis Group	B-11
Curtain, Cushion & Pad Group	B-12 - B-14
Dinette Group	B-15
Driver's Compartment Group	B-16
Electrical Group	B-17 - B-18
Exterior Body Group	B-19 - B-22
Galley Group	B-23
Heating & Air Conditioning Group	B-24
Interior Finish Group	C-1 - C-2
LP Group	C-3
Water & Sewage Group	C-3
Window, Vent & Exterior Door Group	C-4 - C-14

EXTERIOR BODY GROUP (CONTINUED)

EXTERIOR BODY PANELS AND SHEET ALUMINUM

Key	Part Number	U/M	Description
	039264-01-000	EA	Sidewall Asm. - Left - Wormy Pecan
	039264-01-700	EA	Sidewall Asm. - Left - Maple
	039268-01-000	EA	Backwall Asm. - Wormy Pecan
	039268-01-700	EA	Backwall Asm. - Maple
	039266-01-000	EA	Roof Asm.
	039266-01-700	EA	Front Roof Section - Cab Overhang to First Seam
	036294-02-700	EA	Wingwall - Front - Left - Wormy Pecan
	036294-02-000	EA	Wingwall - Front - Left - Maple
	036294-01-700	EA	Wingwall - Front - Right - Wormy Pecan
	036294-01-000	EA	Wingwall - Front - Right - Maple
	039155-07-001	EA	Alum. - Off White - Greyhound Design - .024" x 48" x 300"
	039155-07-002	EA	Alum. - Off White - Greyhound Design - .024" x 48" x 120"
	039155-07-003	EA	Alum. - Off White - Greyhound Design - .024" x 48" x 60"
	039155-07-004	EA	Alum. - Off White - Greyhound Design - .024" x 24" x 300"
	039155-07-005	EA	Alum. - Off White - Greyhound Design - .024" x 24" x 120"
	039155-07-006	EA	Alum. - Off White - Greyhound Design - .024" x 24" x 60"
	039155-07-007	EA	Alum. - Off White - Greyhound Design - .024" x 12" x 300"
	039155-07-008	EA	Alum. - Off White - Greyhound Design - .024" x 12" x 120"
	039155-07-009	EA	Alum. - Off White - Greyhound Design - .024" x 12" x 60"
	044487-01-001	EA	Alum. - Mill Finish - No Design (Roof) - 96" x 360"
	039155-07-010	EA	Alum. - Off White - Greyhound Design - 1/2" x 96"
	001054-01-001	EA	Alum. - Off White - No Design - 48" x 96"
	000868-01-000	BF	Styrofoam - 3/4" x 24" x 96"

EXTERIOR PAINT

Key	Part Number	U/M	Description
	041561-01-000	EA	Off White - Acrylic Enamel - 1 Gallon
	041561-03-000	EA	Off White - Acrylic Enamel - 16 Oz. Aerosol
	041561-04-000	EA	Off White - Acrylic Lacquer - 1 Gallon
	041563-01-000	EA	Burnt Orange - Acrylic Enamel - 1 Gallon
	041563-03-000	EA	Burnt Orange - Acrylic Enamel - 16 Oz. Aerosol
	041565-01-000	EA	Rally Yellow - Acrylic Enamel - 1 Gallon
	041565-03-000	EA	Rally Yellow - Acrylic Enamel - 16 Oz. Aerosol
	045681-01-000	EA	High Gloss Black - Acrylic Enamel - 1 Gallon
	045681-03-000	EA	High Gloss Black - Acrylic Enamel - 16 Oz. Aerosol

LABELS AND DECALS

Key	Part Number	U/M	Description
	008023-01-000	EA	Label - Water Only
	008025-01-000	EA	Label - Gas
	008028-01-000	EA	Label - Drain Cap - 2" x 3"
	008031-01-000	EA	Label - Potable Water Only
	006187-01-000	EA	Label - Sewage
	006188-01-000	EA	Label - Waste Water
	006199-01-000	EA	Label - Exit - Escape window
	031181-01-000	EA	Label - Flying "W"
	038403-01-000	EA	Decal - Logo - Winnebago 2.80" (Front or Rear)
	039289-01-000	EA	Label - Warning Aux. Loading
	039718-01-000	EA	Stencil - Minnie Winnie
	008092-01-000	EA	Reflector - Stick On - Rectangular - Red
	008093-01-000	EA	Reflector - Stick On - Rectangular - Amber

EXTERIOR BODY GROUP (CONTINUED)

SEALANTS, ADHESIVES AND FASTENERS

Key	Part Number	U/M	Description
	034552-05-000	EA	Sealant - Off White Silicone
	034552-04-000	EA	Sealant - Beige Silicone
	034552-02-000	EA	Sealant - Clear Silicone
	004348-02-000	EA	Sealant - Aluminum Silicone
	004349-01-000	EA	Sealant - Black Silicone
	004342-01-000	EA	Sealant - Weatherban 202 Tube
	004346-02-000	EA	Sealant - White Silicone
	004347-01-000	EA	Sealant - Tuflex
	002316-01-000	FT	Tape - Sealer - 3/32" x 1/8"
	024545-01-000	FT	Tape - Sealer - 1/8" x 5/8" - Black
	004350-01-000	FT	Tape - Sealer - 1/8" x 1" - Formaseal
	004352-01-000	FT	Tape - Sealer - 1/8" x 3/4" - Formaseal
	004355-01-000	FT	Tape - Sealer - 1/8" x 5/8" - Black
	004357-01-000	FT	Tape - Sealer - 1/8" x 5/8" - Adhesive
	002707-02-000	FT	Tape - Sealer - 5/16" x 1/2" - Black Foam
	002707-01-000	FT	Tape - Sealer - 5/16" x 3/4" - Black Foam
	041422-01-000	FT	Tape - Sealer - 1/4" x 1/2"
	004363-01-000	FT	Tape - Sealer - 3/16" x 1/2" - Foam
	004362-01-000	FT	Tape - Sealer - 1/8" x 5/8" - Foam
	009200-01-000	EA	Tape - Furnace - 1 1/2"
	041839-01-000	FT	Tape - Window - Latch - 3/4" - Adhesive
	041839-02-000	FT	Tape - Window - Latch - 1/2" - Adhesive
	004353-01-000	FT	Tape - Gasket - 1.3" x 1/4" - White
	002825-01-000	FT	Weather Stripping - Roof Vent
	002337-01-000	EA	Adhesive - 3M - 1300 Tube
	004005-01-000	GL	Adhesive - Swifts Green - Glue (Sidewalls)
	004012-01-000	EA	Adhesive - 3M - 4475 Tube
	004020-01-000	EA	Adhesive - ABS Cement (Plastic Fittings)
	029051-01-000	EA	Adhesive - Spray Vinyl
	042401-02-000	EA	Screw - 8 - 18 x 3/4" SDPH Off White
	005058-01-000	EA	Screw - Wood - 12 - 11 x 3" P.O.H. Zinc
	041746-01-000	FT	Extr. - Vinyl - Bubble Seal - Entry Door - Jamb
	021241-01-000	FT	Extr. - Vinyl - White - Wingwall

MISCELLANEOUS EXTERNALLY MOUNTED PARTS

Key	Part Number	U/M	Description
	016253-05-000	EA	Fuel Fill - Recessed - Single - Off White
	015587-04-000	EA	Fuel Fill - Recessed - Double - Off White
	011124-01-000	EA	Plumbing Seal - Roof Vent - 1 1/4" White
	011129-01-000	EA	Plumbing Seal - Roof Vent - 1 1/2" White
	010230-02-000	EA	Fill - City Water - Recessed - Off White
	011020-01-000	EA	Fill - Water - Recessed - Off White
	009126-01-000	EA	Handle - Assist - Metal Ext.
	009101-01-000	EA	Holder - Entry Door Male
	009101-02-000	EA	Holder - Entry Door - Female

**1975 WINNEBAGO
TABLE OF CONTENTS**

MWRG	A-1 - B-6
MWRB	B-7 - C-14
MWRD	C-15 - D-20
D24	D-21 - F-6

1975 MWRB INDEX

Floor Plan	B-7 - B-8
Accessories Group	B-9
Bath Group	B-10
Chassis Group	B-11
Curtain, Cushion & Pad Group	B-12 - B-14
Dinette Group	B-15
Driver's Compartment Group	B-16
Electrical Group	B-17 - B-18
Exterior Body Group	B-19 - B-22
Galley Group	B-23
Heating & Air Conditioning Group	B-24
Interior Finish Group	C-1 - C-2
LP Group	C-3
Water & Sewage Group	C-3
Window, Vent & Exterior Door Group	C-4 - C-14

GALLEY GROUP

Key	Part Number	U/M	Description
	039270-01-700	EA	Cabinet Asm. - Galley - w/o Countertop, Doors, Drawers or Hardware - Wormy Pecan
	039270-01-701	EA	Cabinet Asm. - Galley - w/o Countertop, Doors, Drawers or Hardware - Maple
	039270-01-702	EA	Door Asm. - Galley Cabinet - 6" x 20 1/8" - w/o Hardware - Wormy Pecan
	039270-01-703	EA	Door Asm. - Galley Cabinet - 6" x 20 1/8" - w/o Hardware - Maple
	039270-01-704	EA	Drawer Asm. - Galley Cabinet - 7 7/8" x 5 1/4" - w/o Hardware - Wormy Pecan
	039270-01-705	EA	Drawer Asm. - Galley Cabinet - 7 7/8" x 5 1/4" - w/o Hardware - Maple
	039270-01-706	EA	Countertop Asm. - Galley - Butcher Block
	039985-01-700	EA	Cabinet Asm. - Galley Overhead - w/o Doors or Hardware - Wormy Pecan
	039985-01-701	EA	Cabinet Asm. - Galley Overhead - w/o Doors or Hardware - Maple
	039985-01-702	EA	Door Asm. - Galley Overhead Cabinet - 16 1/16" x 11" - w/o Hardware - Wormy Pecan
	039985-01-703	EA	Door Asm. - Galley Overhead Cabinet - 16 1/16" x 11" - w/o Hardware - Maple
	011032-01-000	EA	Sink - Stainless Steel - Double w/Bolts
	011053-01-000	EA	Faucet - 8" Swing Sprout
	011053-01-700	EA	Aerator - Swing Spout Faucet
	011085-01-000	EA	Strainer - Sink
**	003336-01-000	EA	Refrigerator - Dometic - RM66
**	034545-01-000	EA	Refrigerator - Winnebago - W6EG
**	031648-01-000	EA	Range - Coleman - 3 Burner - 2225
*	003212-01-000	EA	Hood - Range - Non Power - Chrome
*	024670-01-000	EA	Hood - Range - Powered - Stainless
*	024670-01-700	EA	Filter - Range Hood - Stainless

**The illustrated parts breakdown for this item is provided on the Common Items Fiche.

HEATING AND AIR CONDITIONING GROUP

Key	Part Number	U/M	Description
	048228-03-000	EA	Kit - Auto Air - 360 C.I.D. - ARA - C Body
	048228-01-000	EA	Kit - Auto Air - 360 C.I.D. - AMC - C Body
	007314-01-000	EA	Compressor Mount Package - 360 C.I.D. - AMC (w/o Compressor)
	040024-01-000	EA	Evaporator Package - 360 C.I.D. - AMC
	049235-01-000	EA	Compressor - AMC - w/Push on Fitting
	051765-01-000	EA	Compressor Mount Package - 360 C.I.D. - ARA
	051767-01-000	EA	Evaporator Assembly - 360 C.I.D. - ARA
	051771-01-000	EA	Condenser Assembly - 360 C.I.D. - ARA
	051770-01-000	EA	Compressor (w/o Mounting Hardware) ARA
	009198-01-000	FT	Duct - Flexible - 4" x 25' (Furnace)
	024985-01-000	E/A	Register - Heat - w/Damper - 9.9" x 4.8"
	031604-01-000	EA	Bonnet - Heat Register
	009200-01-000	EA	Tape - Furnace - 1 1/2" - Gray
**	003135-01-000	EA	Furnace - Coleman - 23,000 B.T.U. - 4023
**	003136-01-000	EA	Furnace - Coleman - 28,000 B.T.U. - 4028
**	003140-01-000	EA	Furnace - Coleman - 30,000 B.T.U. - 4030
**	041603-01-000	EA	Furnace - Coleman - 23,000 B.T.U. - 4225
**	041604-01-000	EA	Furnace - Coleman - 28,000 B.T.U. - 4230
**	003125-01-000	EA	Air Conditioner Asm. - Roof Mount - 10,000 BTU Mach I - Coleman w/o Inside Shroud
**	031880-01-000	EA	Air Conditioner Asm. - Roof Mount - 13,500 BTU Mach III - Coleman w/o Inside Shroud
**	049777-01-000	EA	Air Conditioner - Roof Mount - Ivory - 11,000 BTU Coleman - w/o Inside Shroud
**	049774-01-000	EA	Air Conditioner - Roof Mount - Ivory - 13,500 BTU Coleman - w/o Inside Shroud
**	041738-01-000	EA	Shroud Asm. - Air Conditioner - Inside Ceiling Cool Only - Mach I or Mach III
**	049778-01-000	EA	Shroud Asm. - Air Conditioner - Inside Ceiling Cool Only - 11,000 BTU - Ivory
**	049775-01-000	EA	Shroud Asm. - Air Conditioner - Inside Ceiling Cool Only - 13,500 BTU - Ivory
**	049776-01-000	EA	Shroud Asm. - Air Conditioner - Inside Ceiling Heat and Cool - 13,500 BTU - Ivory

**The illustrated parts breakdown for this item is provided on the Common Items Fiche.

1975 WINNEBAGO TABLE OF CONTENTS

MWRG	A-1 - B-6
MWRB	B-7 - C-14
MWRD	C-15 - D-20
D24	D-21 - F-6

1975 MWRB INDEX

Floor Plan	B-7 - B-8
Accessories Group	B-9
Bath Group	B-10
Chassis Group	B-11
Curtain, Cushion & Pad Group	B-12 - B-14
Dinette Group	B-15
Driver's Compartment Group	B-16
Electrical Group	B-17 - B-18
Exterior Body Group	B-19 - B-22
Galley Group	B-23
Heating & Air Conditioning Group	B-24
Interior Finish Group	C-1 - C-2
LP Group	C-3
Water & Sewage Group	C-3
Window, Vent & Exterior Door Group	C-4 - C-14

INTERIOR FINISH GROUP

PANELING AND COUNTERTOP MATERIALS

Key	Part Number	U/M	Description
	024951-01-000	SF	Panel - Bath Wall - White
	000722-01-000	SF	Veneer - Wormy Pecan - 48" x 96"
	024942-03-000	SF	Veneer - Maple - 48" x 96"
	000720-02-000	SF	Veneer - White Stucco
	000724-01-000	EA	Ball Strip - White Stucco
	037882-01-000	SF	Plastic Laminate - 48" x 96" - Butcher Block
	033204-01-000	SF	Plastic Laminate - 48" x 96" - Antique Leather
	009814-06-000	FT	T-Molding - Butcher Block
	037879-01-000	SF	Paneling - Ivory Linen - 48" x 96"

FABRICS AND CARPETS

Key	Part Number	U/M	Description
	037693-01-000	YD	Fabric - Upholstery - Green
	037693-02-000	YD	Fabric - Upholstery - Orange
	037693-03-000	YD	Fabric - Upholstery - Blue
	037694-01-000	YD	Fabric - Drapery - Outer - Green
	037694-02-000	YD	Fabric - Drapery - Outer - Orange
	037694-03-000	YD	Fabric - Drapery - Outer - Blue
	029248-01-000	YD	Fabric - Drapery - Phoenix
	024918-02-000	YD	Vinyl - Nonperforated - Oxen Tan
	024918-03-000	YD	Vinyl - Nonsupport - Oxen Tan
	024913-01-000	SY	Carpet - Summer Sun - (Blue Interior)
	024913-02-000	SY	Carpet - Spring Mint (Green Interior)
	024913-03-000	SY	Carpet - Autumn Leaves - (Orange Interior)

INTERIOR MOLDING AND TRIMS

Key	Part Number	U/M	Description
	009779-01-000	FT	U-Channel - 1 1/8" - Brown - Plastic
	009778-01-000	FT	U-Channel - 1" - Brown - Plastic
	009780-01-000	FT	U-Channel - 1 1/4" - Brown - Plastic
	009720-01-000	EA	Cover - Roll Bar - White - 85.44"
	023221-01-000	EA	Corner Cover - Roll Bar
	034113-02-000	EA	Corner Cover - Support Bar - Brown
	024700-02-000	EA	Cover - Sidewall - Roll Bar - 152 Maple
	022756-01-000	EA	Cover - A/C - Plastic
	022755-01-000	EA	Cover - Control Panel - Plastic
	034689-01-000	EA	Cover - Screw - 10 PPH - Plastic - White
	009812-01-000	FT	Molding - Plastic Corner - O/S - .50"
	009767-01-000	FT	Welling - Brown
	009781-01-000	FT	Molding - Plastic Corner - O/S - .62" x .62" - Brown
	031004-02-000	EA	Quarter Panel Asm. - Front Right
	031003-02-000	EA	Quarter Panel Asm. - Front - Left

INTERIOR FINISH GROUP (CONTINUED)

CURTAIN HARDWARE

Key	Part Number	U/M	Description
	052327-04-238	EA	Curtain Track - Alum. - Brown - 89" w/Holes
	009107-01-000	EA	Guide - Nylon - Snap - Curtain
	042439-01-000	EA	Bracket - Left or Right - Curtain Rod - Single
	049897-01-000	EA	Rod - Curtain - Flat Extension 26" x 45"
	037872-01-000	EA	Rod - Curtain - Double Flat Extension 48" - 84"
	037872-02-000	EA	Bracket - Curtain Rod - Double Flat Extension
	049897-02-000	EA	Rod - Curtain - Flat Extension 48" - 88"
	009702-01-000	EA	End Stop - Curtain - L-Rod w/Rollers
	009701-01-000	EA	Carrier - w/Rollers - L-Rod

CABINERY AND TABLE HARDWARE

Key	Part Number	U/M	Description
	009016-01-000	EA	Latch - Cabinet - Overhead
	043118-01-000	EA	Latch - Cabinet - Kit
	043116-01-000	EA	Pin - Drawer - Medieval Brass - Kit
	043117-01-000	EA	Hinge - 3/8" - Inset - Century - Kit
	009047-01-000	EA	Holder - Door - Overhead
	009150-01-000	EA	Warp Guard - 84"
	009112-01-000	EA	Flange - 1" Rod Chrome
	047842-01-000	EA	Kit - Dinette Table Leg
	047809-01-000	EA	Kit - Dinette Table Hardware - Wall Mount

MISCELLANEOUS PARTS

Key	Part Number	U/M	Description
	041944-01-700	EA	Extinguisher - Fire - w/Bracket - Dry Chemical
	006098-01-000	EA	Mirror - Inside - 1/8" x 9" x 16" - Beveled
	009096-01-000	EA	Mirror - Inside - 1/8" x 12" x 42" - Beveled
	009089-01-000	EA	Clip - Mirror - Plastic - w/Screw
	007021-01-000	EA	Belt Assembly - Seat - 2" x 90" - Black
	007019-01-000	EA	Belt Assembly - Seat - 2" x 84" - Black
	007022-01-000	EA	Belt Assembly - Seat - 2" x 66" - Black
	023680-01-000	EA	Bracket - Seat Belt
	041322-01-000	EA	Washer - Flat - 15/32" I.D. x 2 3/8" O.D. - Seat Belt
	024730-01-000	EA	Grille - Plastic - 12.4" x 5.9" - Brown - Furnace Duct
	024985-01-000	EA	Register - Heat - w/Damper - 9.9" x 4.8"
	009169-01-000	EA	Grille - Plastic - 15.7" x 17.1" - Brown - Furnace

1975 WINNEBAGO TABLE OF CONTENTS

MWRG	A-1 - B-6
MWRB	B-7 - C-14
MWRD	C-15 - D-20
D24	D-21 - F-8

1975 MWRB INDEX

Floor Plan	B-7 - B-8
Accessories Group	B-9
Bath Group	B-10
Chassis Group	B-11
Curtain, Cushion & Pad Group	B-12 - B-14
Dinette Group	B-15
Driver's Compartment Group	B-16
Electrical Group	B-17 - B-18
Exterior Body Group	B-19 - B-22
Galley Group	B-23
Heating & Air Conditioning Group	B-24
Interior Finish Group	C-1 - C-2
LP Group	C-3
Water & Sewage Group	C-3
Window, Vent & Exterior Door Group	C-4 - C-14

LP GROUP

Key	Part Number	U/M	Description
	008818-01-000	EA	Tank - LP - 20 Pound Horizontal
	008814-01-000	EA	Regulator - LP - Manual
	008815-01-000	EA	Regulator - LP - Automatic
	023263-01-000	EA	Tank - LP - 30 Pound - Horizontal
	008820-01-000	EA	Hose Assembly - LP - 1/4" I.D. x 18"
	045703-01-000	EA	Hose Assembly - LP - 3/8" I.D. x 24"
	040046-01-000	EA	Compartment - LP - Horizontal

WINDOW, VENT AND EXTERIOR DOOR GROUP

1975 WINNEBAGO TABLE OF CONTENTS

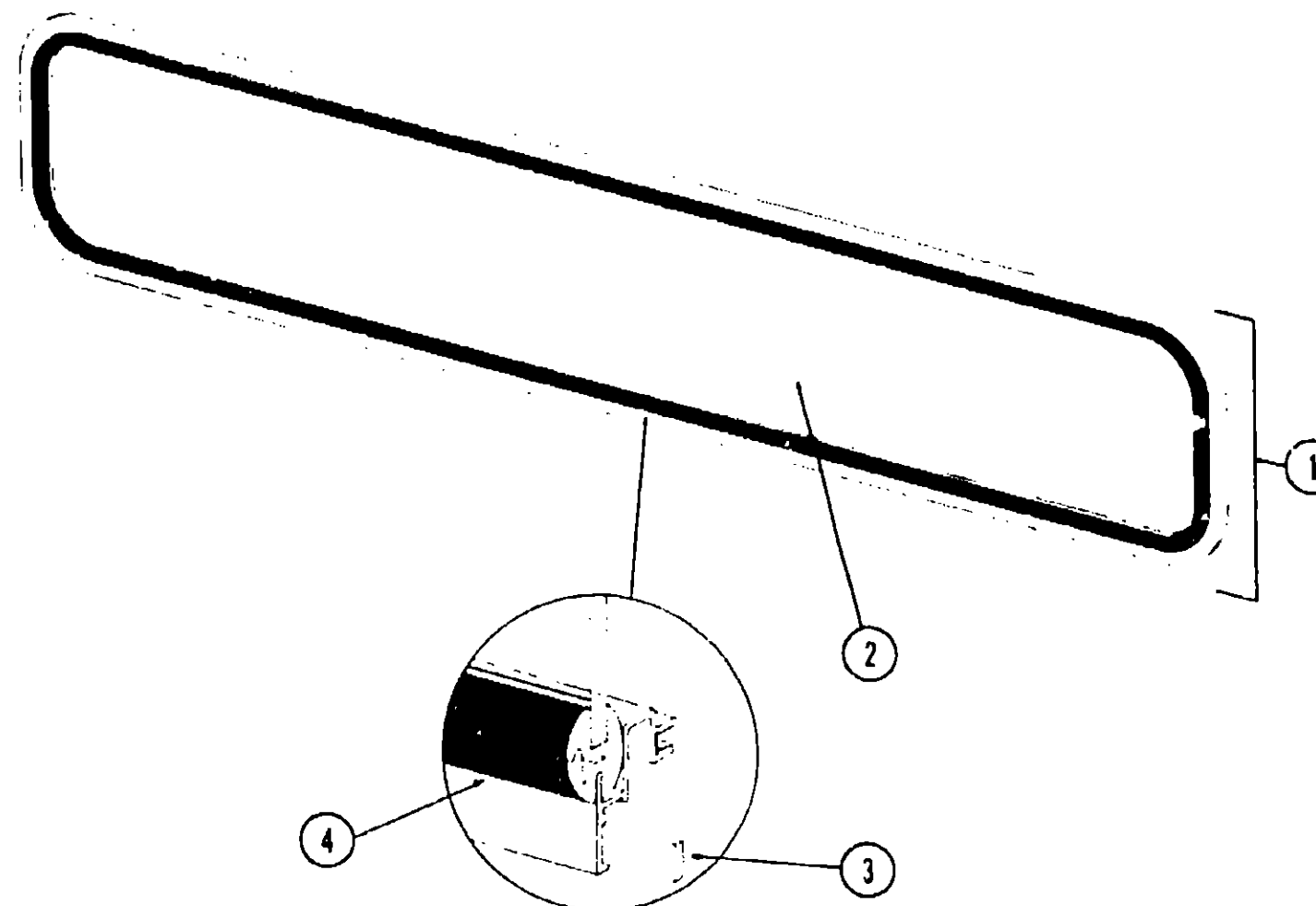
MWRG
MWRB
MWRD
D24

A-1 - B-6
B-7 - C-14
C-15 - D-20
D-21 - F-6

WATER AND SEWAGE GROUP

Key	Part Number	U/M	Description
	039684-01-000	EA	Tank - Holding - Auxillary - Plastic
	021531-01-000	EA	Tank - Holding - Main - Plastic
	011002-01-000	EA	Air Compressor
	011027-01-000	EA	Tank - Water - Galvanized - 22 Gallon
	006060-01-000	EA	Purification System - Everpure - Water
	006060-02-000	EA	Cartridge - Replacement - Everpure
	023833-01-000	EA	Air Compressor - 12 Volt
	011024-01-000	EA	Sending Unit - Water Tank - 5 Wire
	010210-01-000	EA	Valve - Sanitary - Thetford 3HB
	010234-01-000	EA	Adapter - Bayonet
	010235-01-000	EA	Cap - Sewage - 3"
	010236-01-000	EA	Adaptor - Hose - 3"
	046524-01-000	EA	Kit - Fittings - Plastic - Holding Tanks
	011066-01-000	EA	P-Trap - Plastic - 1 1/4"
	011091-01-000	EA	Waste - Continuous Double Sink - 11 7/8"
	011005-01-000	EA	Spout - Water Fill - w/Gauge
	004020-01-000	QT	Adhesive - ABS Cement
	010201-01-000	EA	Hose - Sewer - 3" x 10' w/Clamp
	010209-02-000	EA	Handle - Extension - Sewer Valve - 9.5"
	051391-01-000	EA	Water Heater - Atwood Bowen - G6A2
**	031992-01-000	EA	Water Heater - Atwood Bowen - G1H6

**The illustrated parts breakdown for this item is provided on the Common Items Fiche

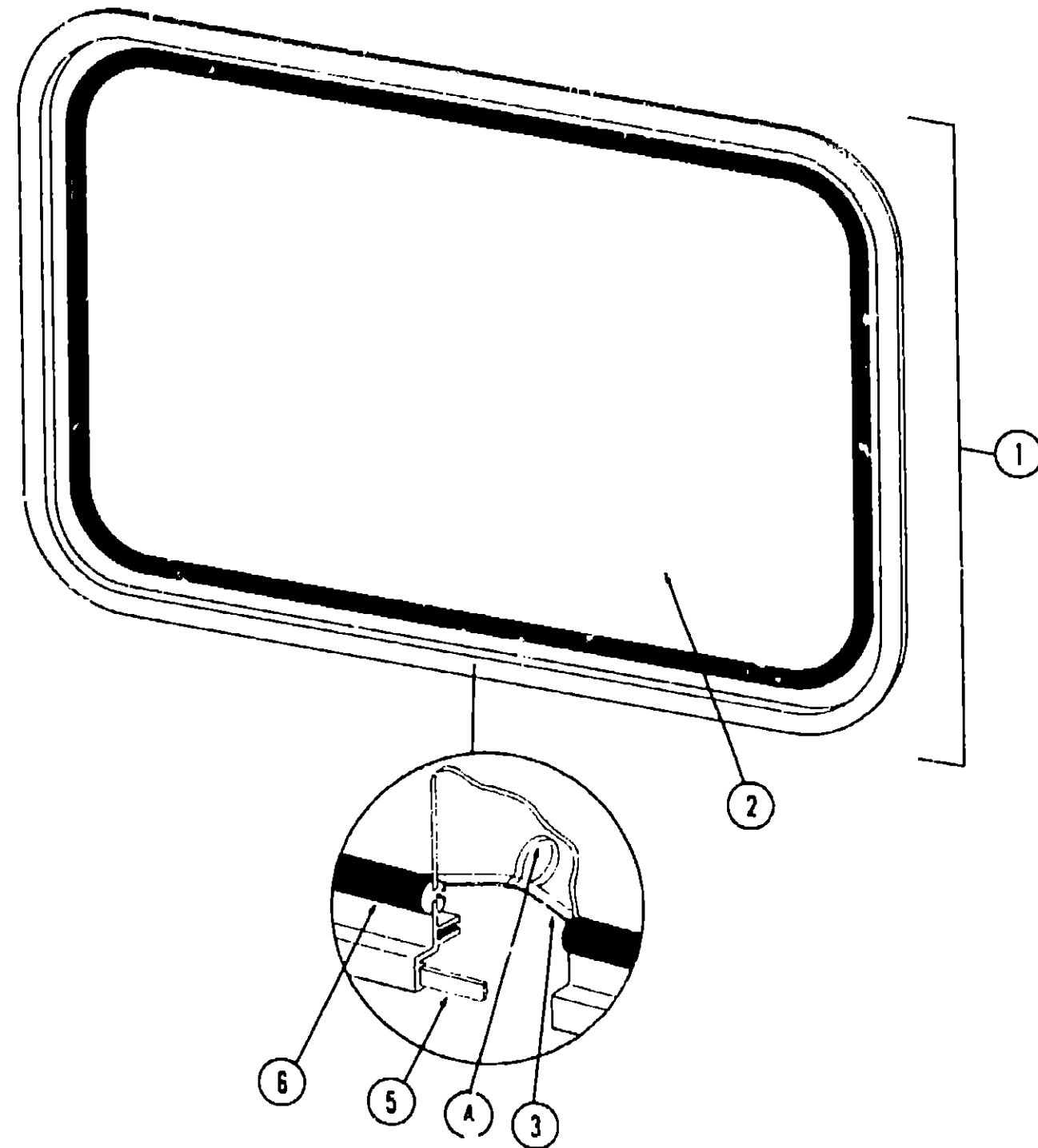


1975 MWRB INDEX

Floor Plan	B-7 - B-8
Accessories Group	B-9
Bath Group	B-10
Chassis Group	B-11
Curtain, Cushion & Pad Group	B-12 - B-14
Dinette Group	B-15
Driver's Compartment Group	B-16
Electrical Group	B-17 - B-18
Exterior Body Group	B-19 - B-22
Galley Group	B-23
Heating & Air Conditioning Group	B-24
Interior Finish Group	C-1 - C-2
LP Group	C-3
Water & Sewage Group	C-3
Window, Vent & Exterior Door Group	C-4 - C-14

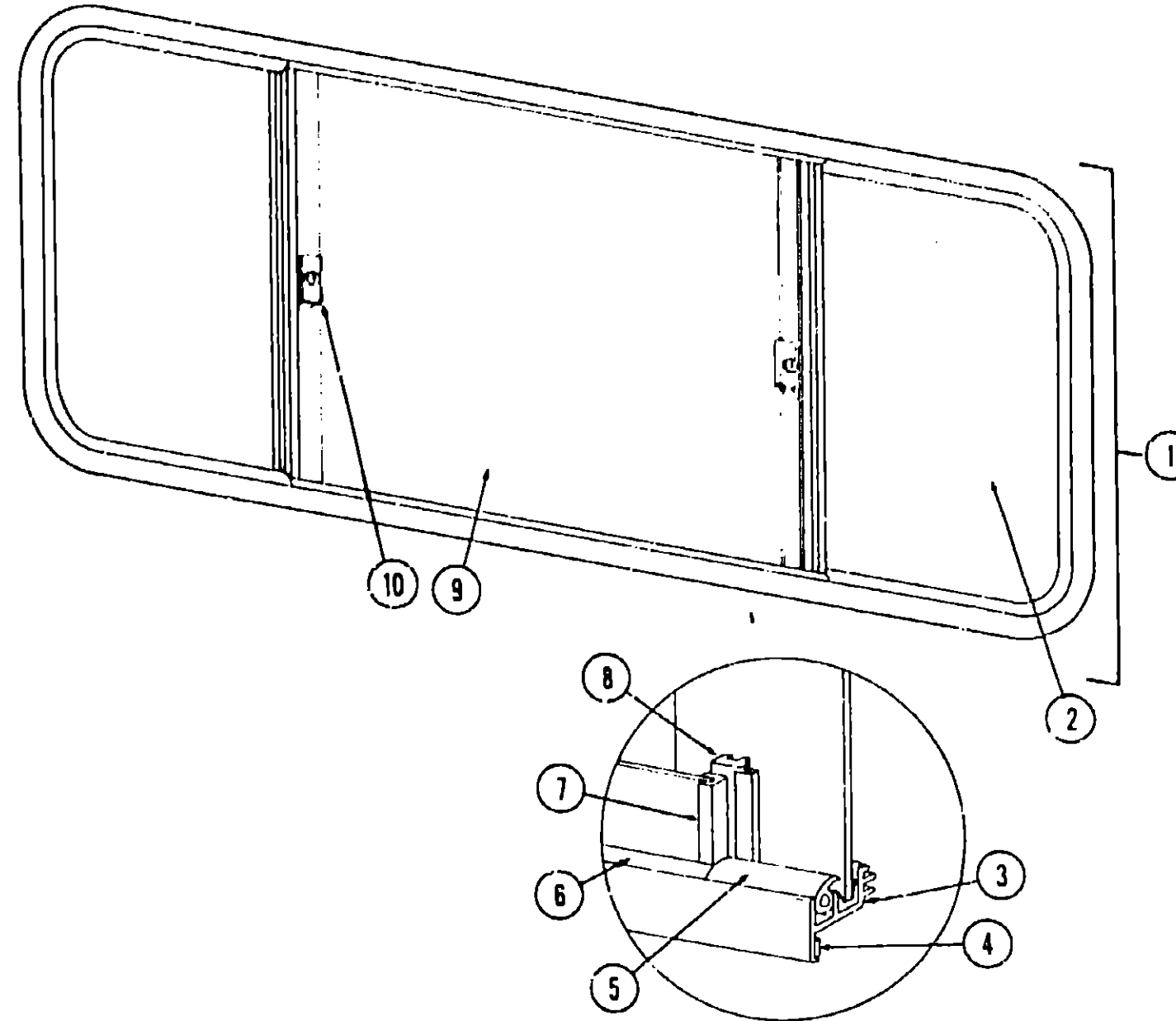
Key	Part Number	U/M	Description
1	020707-01-000	EA	Window Asm. - Front Picture - 16" x 69" (w/o Inside Frame)
2	002200-01-000	EA	Glass - TP - Picture Window
3	004363-01-000	FT	Tape - Sealer - 3/16" x 1/2" - Foam
4	002281-01-000	FT	Weatherstrip - Self Seal - .06" Panel x 3/16" - Black
*	020709-03-000	EA	Frame - Inside - Front Picture Window - 16" x 69"
*			Not Illustrated

WINDOW, VENT AND EXTERIOR DOOR GROUP (CONTINUED)



Key	Part Number	U/M	Description
1	020840-02-000	EA	Window Assembly - Rear Escape - 20" x 29" (w/o Inside Frame)
2	002173-01-000	EA	Glass - Window - 1/8" x 16.61" x 25.92"
3	002285-01-000	FT	Filler - Weatherstrip - Black
4	020395-01-000	EA	Slip Ring - Escape Window
5	004363-01-000	FT	Tape - Foam - 3/16" x 1/2" - Gray
6	002282-01-000	FT	Weatherstrip - .125" - Black
.	020838-02-000	EA	Frame - Window Inside (not included in window assembly)
.	Not Illustrated		

WINDOW, VENT AND EXTERIOR DOOR GROUP (CONTINUED)



Key	Part Number	U/M	Description
1	048630-03-000	EA	Window Asm. - Double Slider - 23" x 65" - w/Plastic Latch w/o Inside Frame (Requires Z Style Inside Frame)
2	047823-01-000	EA	Glass - 1/8" x 22" x 21.03" - Sliding w/Holes (used with plastic latch)
	002187-01-000	EA	Glass - 1/8" x 22" x 21.028" - Sliding w/o Holes (used with aluminum latch)
3	002324-01-000	FT	Channel - Weatherstrip - Glass Run - 1/8" Glass
4	004363-01-000	FT	Tape - Foam 3/16" x 1/2" - Gray
5	024096-01-000	FT	Spline - Glass - (used in Windows w/Z Style Inside Frame)
	002282-01-000	FT	Seal - Window Channel (used in Window w/T Style Inside Frame)
6	002309-01-000	FT	Spline - Glass - 1/8" - Gray
7	018025-01-000	EA	Holder - Glass Seal - 23"
8	041894-01-000	EA	Mullion - Slider Window - 23" (used in Window w/Z Style inside Frame)
	018014-01-000	EA	Mullion - Slider Window - 23" (used in Window w/T Style Inside Frame)
9	002188-01-000	EA	Glass - 1/8" x 22" x 25.50" - Stationary
10	047369-01-700	EA	Latch - Window Plastic w/Fastener
	023275-01-000	EA	Latch - Window - Aluminum
	041839-01-000	FT	Tape - Foam - Aluminum Window Latch
	002298-01-000	FT	Spline - Screen - .130" Dia. - Gray
	002293-01-000	SF	Screen - Window - 26" - Gray
	023713-01-000	EA	Cover - Weephole - White Plastic
	042133-02-000	EA	Frame - Window - Inside - 23" x 65" (Z Style)
	018016-01-000	EA	Frame - Window - Inside - 23" x 65" (T Style)
.	Not Illustrated		

1975 WINNEBAGO
TABLE OF CONTENTS

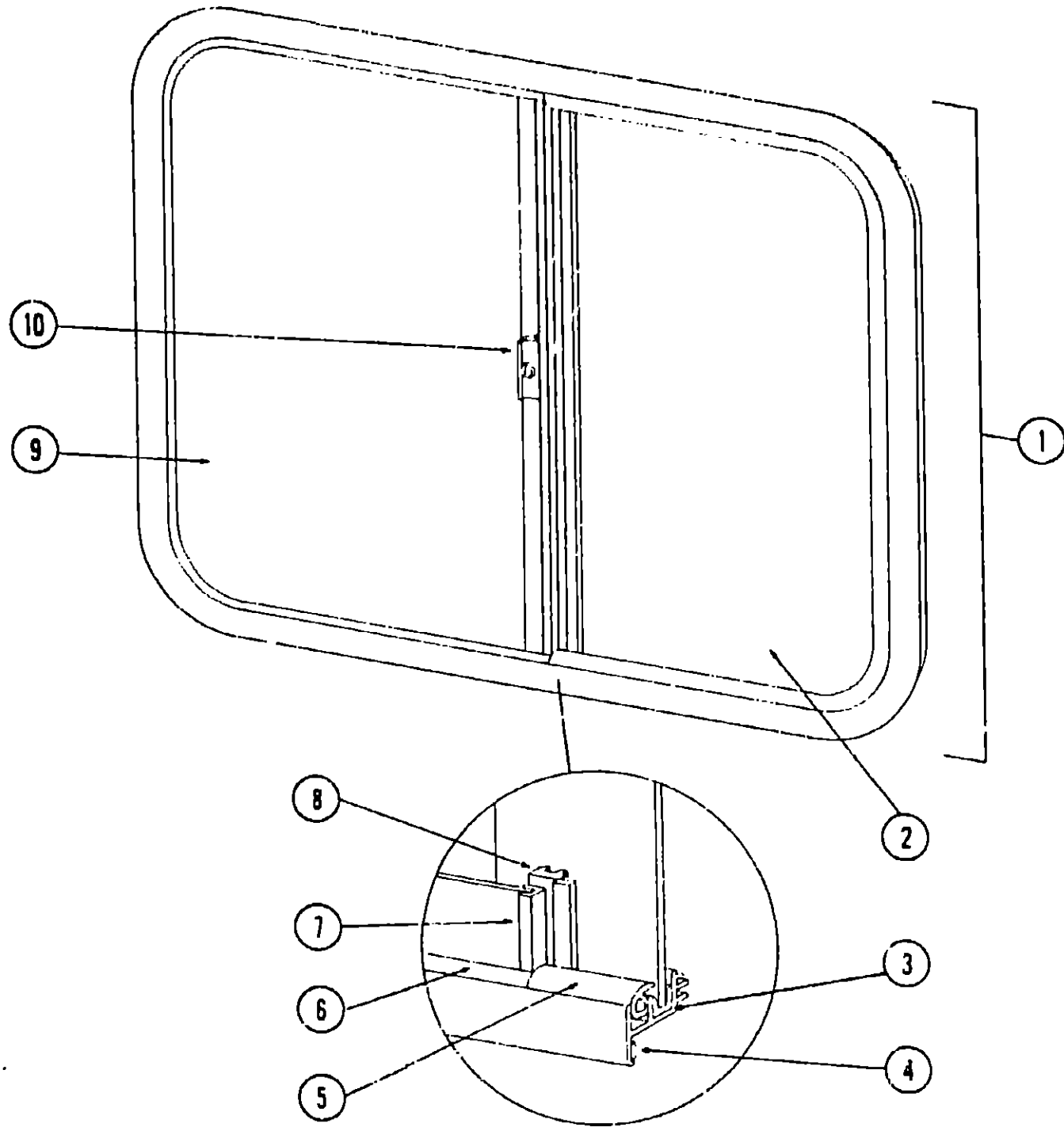
MWRG
MWRB
MWRD
D24

A-1 - B-6
B-7 - C-14
C-15 - D-20
D-21 - F-6

1975 MWRB INDEX

Floor Plan	B-7 - B-8
Accessories Group	B-9
Bath Group	B-10
Chassis Group	B-11
Curtain, Cushion & Pad Group	B-12 - B-14
Dinette Group	B-15
Driver's Compartment Group	B-16
Electrical Group	B-17 - B-18
Exterior Body Group	B-19 - B-22
Galley Group	B-23
Heating & Air Conditioning Group	B-24
Interior Finish Group	C-1 - C-2
LP Group	C-3
Water & Sewage Group	C-3
Window, Vent & Exterior Door Group	C-4 - C-14

Key	Part Number	U/M	Description
1	048631-00-000	EA	Window Assembly - Left Single Slider - 23" x 29" - w/Plastic Latch w/o Inside Frame (Requires Z Style Inside Frame)
2	047813-01-000	EA	Glass - Sliding - 1/8" x 22" x 13.68" w/Holes (Used w/Plastic Latch)
	002186-01-000	EA	Glass - Sliding - 1/8" x 22" x 13.68" w/o Holes (Used w/Aluminum Latch)
3	002324-01-000	FT	Channel - Weatherstrip - Glass Run - 1/8" Glass
4	004363-01-000	FT	Tape - Foam - 3/16" x 1/2" - Gray
5	024096-01-000	FT	Seal - Window Channel - Gray (Used In Window w/Z Style Inside Frame)
	002283-01-000	FT	Seal - Window Channel (Used In Window w/T Style Inside Frame)
6	002309-01-000	FT	Spline - Glass - 1/8" - Gray
7	018025-01-000	EA	Holder - Glass Seal - 23" - Clear Anod.
8	041894-01-000	EA	Mullion - Slider Window - 23" - Clear Anod. (Used In Window w/Z Style Inside Frame)
	018014-01-000	EA	Mullion - Slider Window - 23" (Used In Window w/T Style Inside Frame)
9	002184-01-000	EA	Glass TP - Stationary
10	047369-01-000	EA	Latch - Window - Plastic w/Fastener
	023275-01-000	EA	Latch - Window - Aluminum
	041839-01-000	FT	Tape - Foam - Aluminum Window Latch
	002298-01-000	FT	Spline - Screen - .130" Diameter - Gray
	002293-01-000	SF	Screen Window - 26" - Gray
	023713-01-000	EA	Cover - Weephole - White Plastic
	042147-01-000	EA	Frame - Window - Inside - 23" x 29" (Z Style)
	018027-01-000	EA	Frame - Window - Inside - 23" x 29" (T Style)
			Not Illustrated

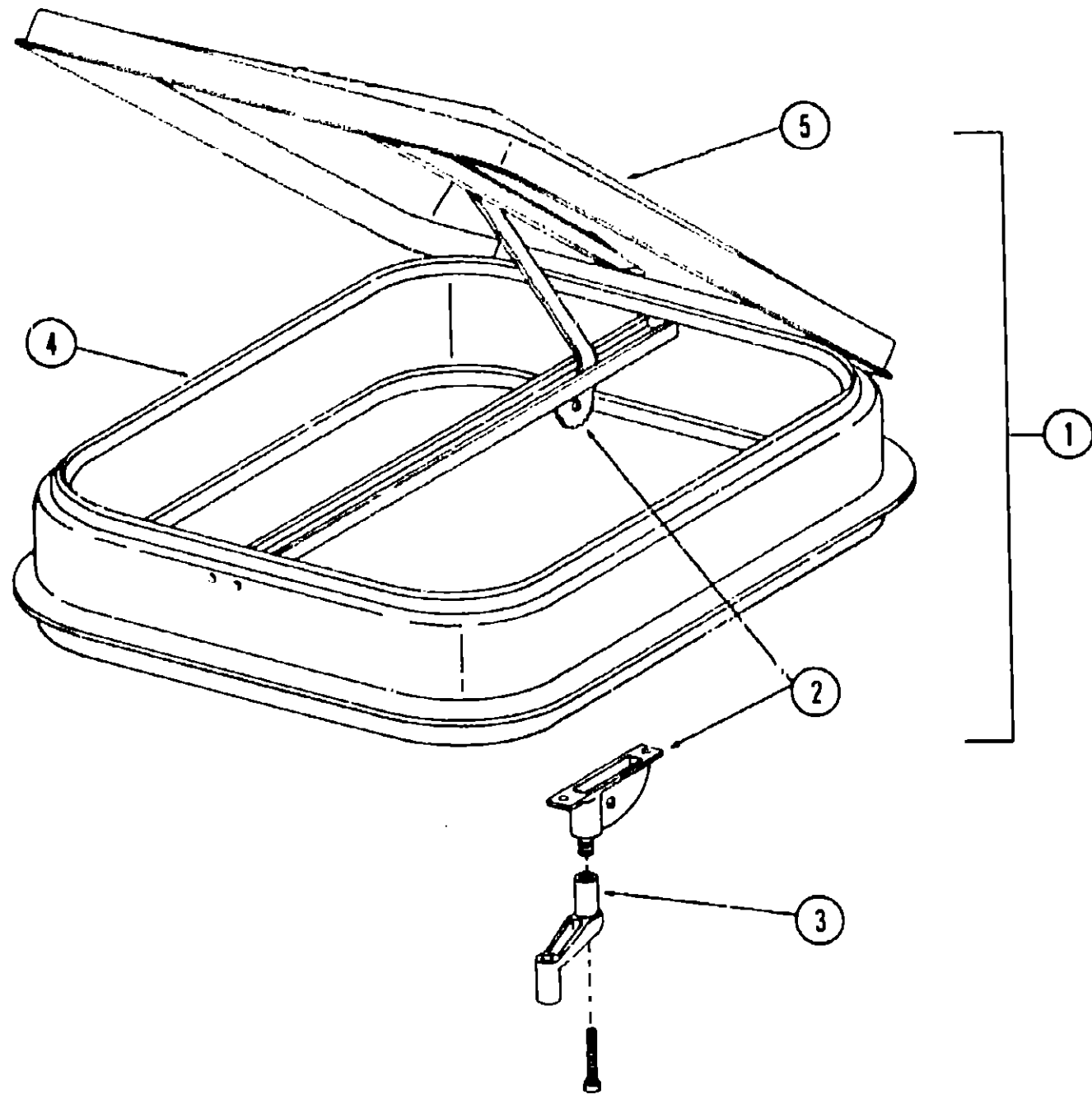


1975 WINNEBAGO
TABLE OF CONTENTS

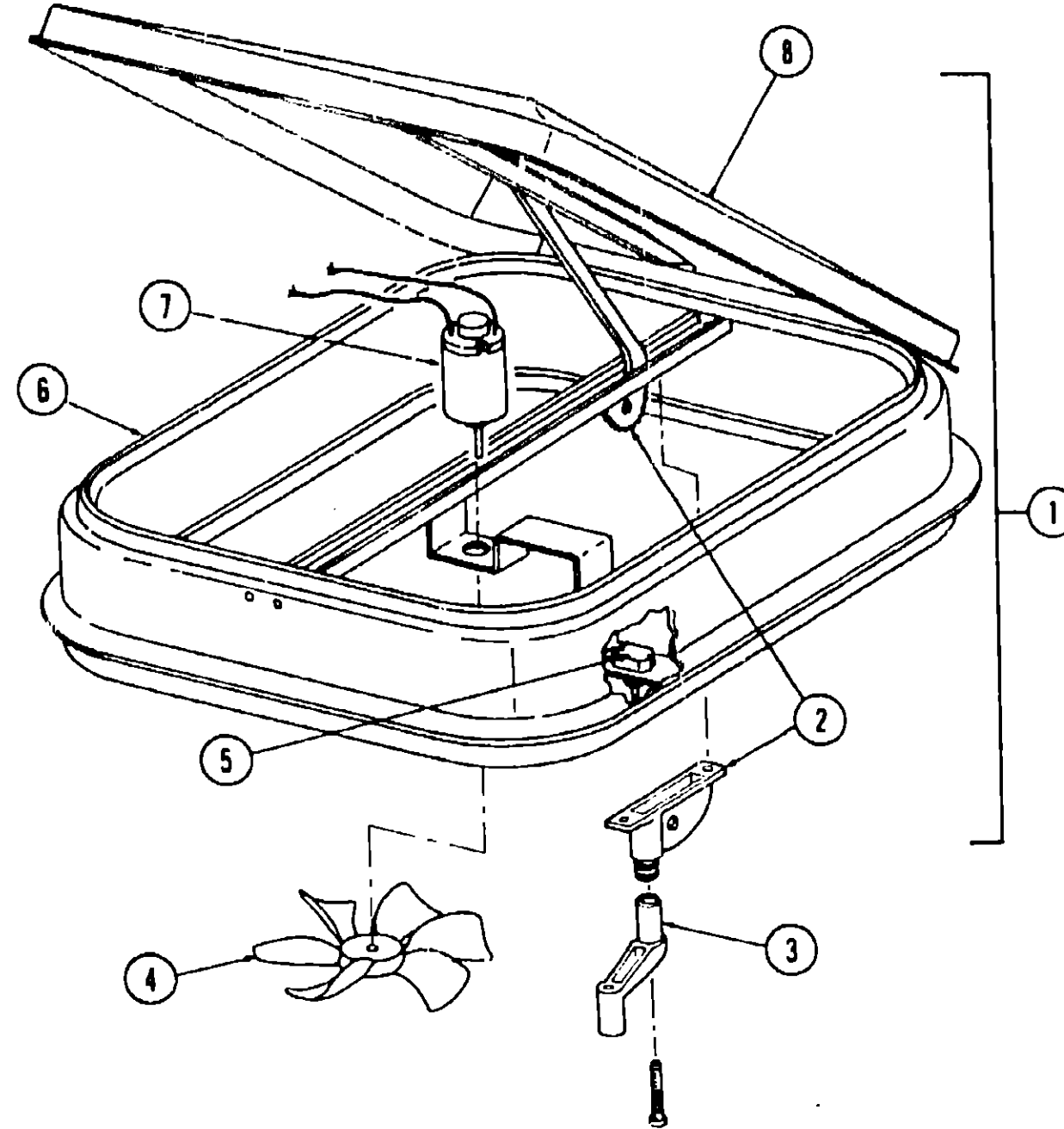
MWRG	A-1 - B-6
MWRB	B-7 - C-14
MWRD	C-15 - D-20
D24	D-21 - F-6

1975 MWRB INDEX

Floor Plan	B-7 - B-8
Accessories Group	B-9
Bath Group	B-10
Chassis Group	B-11
Curtain, Cushion & Pad Group	B-12 - B-14
Dinette Group	B-15
Driver's Compartment Group	B-16
Electrical Group	B-17 - B-18
Exterior Body Group	B-19 - B-22
Galley Group	B-23
Heating & Air Conditioning Group	B-24
Interior Finish Group	C-1 - C-2
LP Group	C-3
Water & Sewage Group	C-3
Window, Vent & Exterior Door Group	C-4 - C-14



Key	Part Number	U/M	Description
1	048835-01-000	EA	Vent Asm. - Roof - Nonpowered - w/o Screen
2	009440-01-000	EA	Gear - Arm - Roof Vent
3	009439-01-000	EA	Crank - Roof Vent
4	002825-01-000	FT	Weatherstrip - Roof Vent
5	046825-01-000	EA	Cover - Plastic - Roof Vent
	016335-01-000	EA	Screen Asm. - Non Power Roof Vent - Clear Anod. (not included in assembly)
	016335-03-000	EA	Screen Asm. - Non Powered Roof Vent - Beige (not included in assembly)
			Not Illustrated



Key	Part Number	U/M	Description
1	048789-01-000	EA	Vent Asm. - Roof - Powered - w/o Screen
2	009440-01-000	EA	Gear - Arm - Roof Vent
3	009430-01-000	EA	Crank - Roof Vent
4	048649-01-000	EA	Fan - Blade - 6" - Plastic
	009442-01-000	EA	Fan - Blade - Alum.
5	008195-01-000	EA	Switch - Push Button - 12 Volt
6	002525-01-000	FT	Weatherstrip - Roof Vent
7	048648-01-000	EA	Motor - 12 Volt (Vent w/Plastic Fan)
	009441-01-000	EA	Motor - 12 Volt (Vent w/Alum. Fan)
8	046825-01-000	EA	Cover - Plastic - Roof Vent (Vent w/Plastic Fan)
	016336-01-000	EA	Cover - Plastic - Roof Vent (Vent w/Alum. Fan)
	048695-01-000	EA	Screen Asm. - Powered Roof Vent - Clear Anod. - Vent w/Plastic Fan (not included w/assembly)
	016337-01-000	EA	Screen Asm. - Powered Roof Vent - Clear Anod. - Vent w/Alum. Fan (not included w/assembly)
			Not Illustrated

1975 WINNEBAGO
TABLE OF CONTENTS

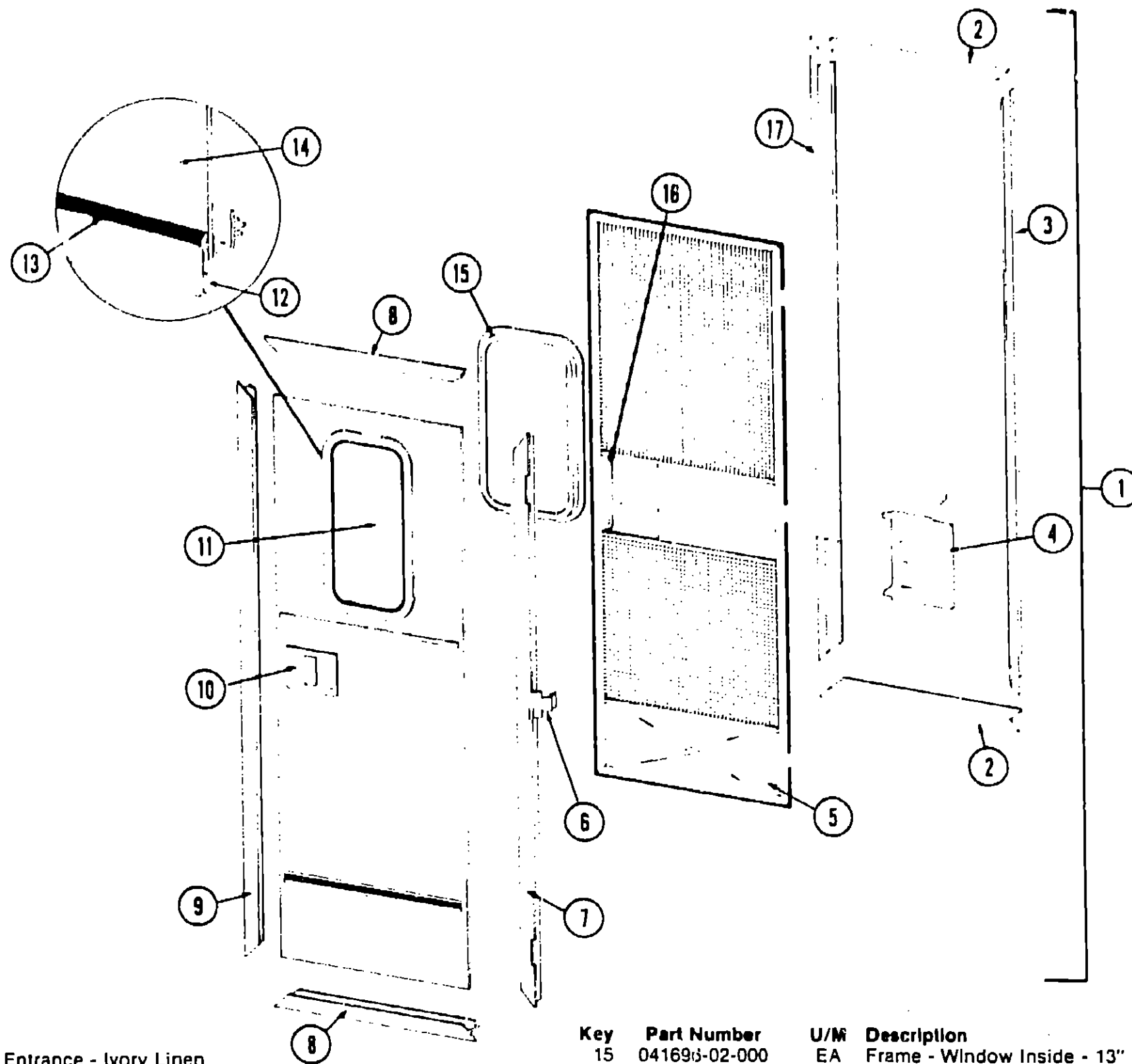
MWRG
MWRB
MWRD
D24

A-1 - B-8
B-7 - C-14
C-15 - D-20
D-21 - F-6

1975 MWRB INDEX

Floor Plan	B-7 - B-8
Accessories Group	B-9
Bath Group	B-10
Chassis Group	B-11
Curtain, Cushion & Pad Group	B-12 - B-14
Dinette Group	B-15
Driver's Compartment Group	B-16
Electrical Group	B-17 - B-18
Exterior Body Group	B-19 - B-22
Galley Group	B-23
Heating & Air Conditioning Group	B-24
Interior Finish Group	C-1 - C-2
LP Group	C-3
Water & Sewage Group	C-3
Window, Vent & Exterior Door Group	C-4 - C-14

WINDOW, VENT AND EXTERIOR DOOR GROUP (CONTINUED)



Key	Part Number	U/M	Description
1	035306-06-000	EA	Door Asm. - Entrance - Ivory Linen
2	017288-03-000	EA	Jamb - Entry Door - Upper and Lower
3	023012-02-000	EA	Jamb - Entry Door - Right
4	015580-01-000	EA	Slider - Screen Door - Plastic
5	017670-01-000	EA	Door Asm. - Screen
6	024650-01-000	EA	Hinge - Entry Door - Screen Door
7	017376-02-000	EA	Frame - Entry Door - Right
8	017283-02-000	EA	Frame - Entry Door - Upper and Lower
9	017377-02-000	EA	Frame - Entry Door - Left
10	024094-01-000	EA	Latch - Entry Door - Hartwell
11	041875-01-000	EA	Window Asm. - Anod. - Radius Picture - 13" x 23" w/o Inside Frame (Requires Z Style Inside Frame)
12	004363-01-000	FT	Tape - Foam - 3/16" x 1/2" - Gray
13	002309-01-000	FT	Spline - Glass - 1/8" - Gray
14	002181-01-000	EA	Glass - Picture - 1/8" x 12" x 22" - Gray

C-11

Key	Part Number	U/M	Description
15	041698-02-000	EA	Frame - Window Inside - 13" x 23" Not Included w/Window Asm. - (T Style)
	017753-01-000	EA	Frame - Window Inside - 13" x 23" Not Included w/Window Asm. - (Z Style)
16	015581-01-000	EA	Cap - Screen Door - Plastic
17	023011-02-000	EA	Jamb - Entry Door - Left
	002702-01-000	FT	Weatherstrip - Bulb T - Vinyl
	002703-01-000	FT	Weatherstrip - Bulb L - Vinyl
	002712-01-000	EA	Hinge Pin - Upper
	002718-01-000	EA	Hinge Pin - Lower
	002002-01-000	EA	Drip Cap - 31" - Alum.
	009011-01-000	EA	Lock - Deadbolt - 2 3/4"
	039863-01-000	EA	Catch Asm. - Single Roller w/Strike - Screen Door
	009016-01-000	EA	Catch - Elbow - Spring Loaded - Screen Door
			Not Illustrated

C-12

1975 WINNEBAGO
TABLE OF CONTENTS

MWRG	A-1 - B-6
MWRB	B-7 - C-14
MWRD	C-15 - D-20
D24	D-21 - F-6

1975 MWRB INDEX

Floor Plan	B-7 - B-8
Accessories Group	B-9
Bath Group	B-10
Chassis Group	B-11
Curtain, Cushion & Pad Group	B-12 - B-14
Dinette Group	B-15
Driver's Compartment Group	B-16
Electrical Group	B-17 - B-18
Exterior Body Group	B-19 - B-22
Galley Group	B-23
Heating & Air Conditioning Group	B-24
Interior Finish Group	C-1 - C-2
LP Group	C-3
Water & Sewage Group	C-3
Window, Vent & Exterior Door Group	C-4 - C-14

WINDOW, VENT AND EXTERIOR DOOR GROUP (CONTINUED)

BUNK WINDOWS AND VENTS

Key	Part Number	U/M	Description
	002054-01-000	EA	Window - Bunk - 8 1/8" x 17 7/8" - Crankout - Right - Hehr
	002056-01-000	EA	Window - Bunk - 8 1/8" x 17 7/8" - Crankout - Left - Hehr
	002050-01-000	EA	Window - Bunk - Pushout - Hehr
	009407-01-000	EA	Base - Frame - Refrigerator Roof Vent w/o Cover
	059778-01-000	EA	Cover - Refrigerator Roof Vent - Plastic
	003212-02-000	EA	Vent - Stove Hood - Outside - Non Powered - Strawsino

ACCESS DOORS

Key	Part Number	U/M	Description
	022583-03-000	EA	Door Asm. - LP - Off White
	033641-02-000	EA	Door Asm. - Plastic w/Frame - 8.50" x 10.12" - Off White
	034974-02-000	EA	Door Asm. - Luggage - Off White
	037807-02-000	EA	Door Asm. - Refrigerator Access - Off White
	042585-01-000	EA	Door Asm. - Generator - Off White
	039884-01-000	EA	Kit - Twist Type Lock w/Clip
	047305-01-000	EA	Kit - Key Type Lock w/Clip

1975 WINNEBAGO TABLE OF CONTENTS

MWRG	A-1 - B-3
MWRB	B-7 - C-14
MWRD	C-15 - D-20
D24	D-21 - F-6

1975 MWRB INDEX

Floor Plan	B-7 - B-8
Accessories Group	B-9
Bath Group	B-10
Chassis Group	B-11
Curtain, Cushion & Pad Group	B-12 - B-14
Dinette Group	B-15
Driver's Compartment Group	B-16
Electrical Group	B-17 - B-18
Exterior Body Group	B-19 - B-22
Galley Group	B-23
Heating & Air Conditioning Group	B-24
Interior Finish Group	C-1 - C-2
LP Group	C-3
Water & Sewage Group	C-3
Window, Vent & Exterior Door Group	C-4 - C-14