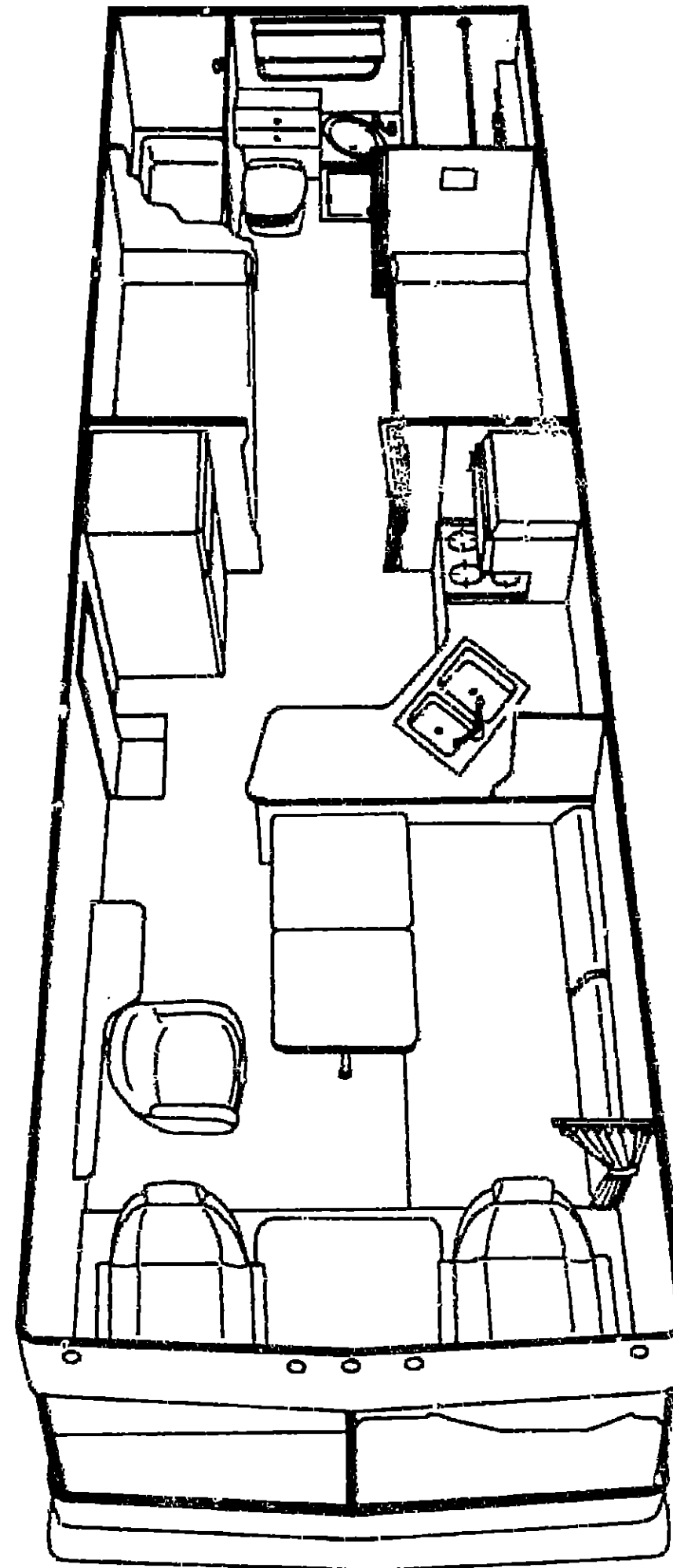


1975 D29CURB



1975 WINNEBAGO TABLE OF CONTENTS

Introduction	A-1
Abbreviations	A-1
Alphabetical Index	A-2 - A-4
D25C	A-5 - B-14
D25CL	B-15 - C-24
D27C	D-1 - E-10
D27CL	E-11 - F-20
D29CURB	F-21 - H-6
D27CJ	H-7 - I-18
D27CUL	I-19 - K-6
D25CU	K-7 - L-16

1975 D29CURB INDEX

Floor Plan	F-21 - F-22
Accessories Group	F-23 - F-24
Bath Group	G-1
Chassis Group	G-2
Curtain, Cushion & Pad Group	G-3 - G-5
Dinette Group	G-6
Driver's Compartment Group	G-6 - G-7
Electrical Group	G-8 - G-9
Exterior Body Group	G-10 - G-13
Galley Group	G-14
Heating & Air Conditioning Group	G-15
Interior Finish Group	G-16 - G-17
LP Group	G-18
Lounge Group	G-18
Water & Sewage Group	G-19
Window, Vent & Exterior Door Group	G-20 - G-24
	H-1 - H-6

ACCESSORIES GROUP

RADIOS AND RELATED COMPONENTS

Key	Part Number	U/M	Description
	031105-01-000	EA	Antenna - Radio - Side Mount
	031105-01-700	EA	Clip - Retaining - Side Mount Antenna
	033879-01-000	EA	Kit - Radio Speaker - 5 1/4" w/Cover
	049730-01-000	EA	Radio - AM w/Fader - Clarion
	049731-01-000	EA	Radio - AM/FM/MPX - w/Fader - Clarion
	049732-01-000	EA	Radio - AM/FM/MPX - 8 Track - w/Fader - Clarion
	048146-01-000	EA	Radio - CB Messenger 123A - Johnson
	048153-01-000	EA	Antenna - CB - Camper Style

SPEED CONTROL AND COMPONENTS

Key	Part Number	U/M	Description
	024746-01-000	EA	Speed Control Package - 440 C I.D. Dodge - Lever Type - A-Body
	007255-01-000	EA	Regulator Asm.
	024746-01-701	EA	Servo Asm.
	024746-01-702	EA	Switch - Engage Lever
	007255-01-703	EA	Cable Asm. - Transmission - 42"
	007255-01-704	EA	Switch Asm. - Decelerate
	024746-01-700	EA	Relay - Speed Control

GENERATORS AND INSTALLATION KITS

Key	Part Number	U/M	Description
	007061-01-000	EA	Generator - Onan - 4000 Watt CCK - w/Mounting Bolts and Rubber Feet
	007058-01-000	EA	Generator - Onan - 5000 Watt CCK - w/Mounting Bolts and Rubber Feet
	035237-01-000	EA	Kit - 4000, 5000 Onan Installation w/o Bolt Package and Rubber Feet
	007290-01-000	EA	Tailpipe - Generator Exhaust - 1.62" x 17"
	024732-01-004	EA	Steel Tubing - 1.5" O.D. - 18 Gauge x 34"
	007292-01-000	EA	Muffler - Generator
	007131-01-000	EA	Hanger - Tailpipe
	007125-01-000	EA	Clamp Asm. - Muffler - 1.62" Dia.
	007125-03-000	EA	Clamp Asm. - Muffler - 1.50" Dia.
	042865-01-000	EA	Scoop - Generator Air
	007067-01-000	SF	Insulation - Fiberglass - 1"
	007059-02-000	EA	Bolt Package
	007059-03-000	EA	Foot - Rubber - Generator Mounting
	031035-01-000	EA	Gauge - Hourmeter
	024976-01-000	EA	Switch - Generator - w/o Circuit Board
	045226-01-000	EA	Tray - Sliding - Generator
	007125-07-000	EA	Clamp Asm. - Muffler - 2.50" Dia.

ACCESSORIES GROUP (CONTINUED)

FRONT BUNK, CABINET AND HARDWARE

Key	Part Number	U/M	Description
	031471-03-700	EA	Cabinet Asm. - Glide-Away - Overhead
	031471-03-701	EA	Door - Sliding - Glide-Away - Overhead
	009148-01-000	EA	Fingerpull
	009785-01-000	FT	Track - Sliding Door - Upper - Plastic
	009786-01-000	FT	Track - Sliding Door - Lower - Plastic
	017641-01-000	EA	Stabilizer Asm. - Bunk
	040071-01-000	EA	Support - Bunk - Overhead Seatbelt
	022540-01-000	EA	Support Asm. - Bunk Strap - 20"
	006076-01-000	EA	Ladder - Bunk - 66" - Aluminum
	042938-01-000	EA	Support Asm. - Left and Right Overhead Bunk
	039920-01-000	EA	Bunk Board Asm.

MISCELLANEOUS ACCESSORIES

Key	Part Number	U/M	Description
	044148-01-000	EA	TV - Color - 13" - Sharp
	006093-01-000	EA	Jack - TV - Brown
	016053-01-000	EA	Antenna - TV - Braun Deluxe
	031450-01-000	EA	Vacuum - Wall Mount - w/Attachments
	700108-02-000	EA	Vacuum Bags (used with 031450-01-000)
	036420-01-000	EA	Fan - Defroster
	041944-01-700	EA	Fire Extinguisher w/Bracket
	038851-01-000	EA	Rack - Magazine
	007035-01-000	EA	Ladder Asm. - w/Luggage Rack - Square
	007035-02-000	EA	Pads, Caps, Blocks for Square Rack
	007035-03-000	EA	Ladder Asm. - Square
	033685-01-000	EA	Ladder Asm. - w/Luggage Rack - Round
	038685-02-000	EA	Ladder Asm. - Round
	023766-01-000	EA	Mud Flap
	022534-01-000	EA	Guard Asm. - Bumper Front - Right
	022535-01-000	EA	Guard Asm. - Bumper Front - Left
	007268-01-000	EA	Guard - Bumper - Chrome (Rear)
	006113-01-000	EA	Jack - Hydraulic - 5 Ton
	006091-01-000	EA	Tray - Cutlery - Gold
	006060-01-000	EA	Purification System - Everpure
	006060-02-000	EA	Cartridge - Replacement - Everpure
	042563-01-000	EA	Oven - Microwave - Winnebago (by Panasonic)
	040565-01-000	EA	Spare Tire Cover
	049347-01-000	EA	Mirror Head - 7 1/2" x 10 1/2" - Stainless Steel
	049348-01-000	EA	Arm - Low Mount Mirror - Brite Finish
	049944-01-000	EA	Bracket - Mirror - Outside - Beige

1975 WINNEBAGO TABLE OF CONTENTS

Introduction	A-1
Abbreviations	A-1
Alphabetical Index	A-2 - A-4
D25C	A-5 - B-14
D25CL	B-15 - C-24
D27C	D-1 - E-10
D27CL	E-11 - F-20
D29CURB	F-21 - H-6
D29CU	H-7 - I-18
D27CUL	I-19 - K-6
D25CU	L-7 - L-16

1975 D29CURB INDEX

Floor Plan	F-21 - F-22
Accessories Group	F-23 - F-24
Bath Group	G-1
Chassis Group	G-2
Curtain, Cushion & Pad Group	G-3 - G-5
Dinette Group	G-6
Driver's Compartment Group	G-6 - G-7
Electrical Group	G-8 - G-9
Exterior Body Group	G-10 - G-13
Galley Group	G-14
Heating & Air Conditioning Group	G-15
Interior Finish Group	G-16 - G-17
LP Group	G-18
Lounge Group	G-18
Water & Sewage Group	G-19
Window, Vent & Exterior Door Group	G-20 - G-24
	H-1 - H-6

BATH GROUP

Key	Part Number	U/M	Description
	040545-01-700	EA	Cabinet Asm - Lavatory w/o Countertop, Door or Hardware
	040545-01-701	EA	Countertop Asm. - Lavatory Cabinet
	040545-01-702	EA	Door Asm - Lavatory Cabinet - 12 11/16" x 24 11/2" (Hole Size) w/o Hardware
	040524-01-700	EA	Cabinet Asm. - Vanity w/o Countertop, Drawers or Hardware
	040524-01-701	EA	Countertop Asm. - Vanity Cabinet
	040524-01-702	EA	Drawer Asm - Vanity Cabinet - 63 3/8" x 16 5/8" w/o Hardware
	040524-01-700	EA	Door Asm - Wardrobe - 63 3/8" x 16 5/8" (Hole Size) w/o Hardware
	033722-01-000	EA	Bathtub - White Plastic
	031552-01-000	EA	Faucet - Tub and Shower
	011049-01-000	EA	Shower Head w/60" Hose
	011056-01-000	EA	Faucet - Lavatory
	011028-01-000	EA	Sink - Stainless Steel - Oval w/Bolts
	040544-01-701	EA	Door Asm - Wardrobe - 22" x 51 11/16" w/o Hardware
**	033327-01-000	EA	Toilet - Electra Magic w/o Seat and Lid
**	033341-01-000	EA	Toilet - Aqua Magic Model SH - White - w/o Seat and Lid

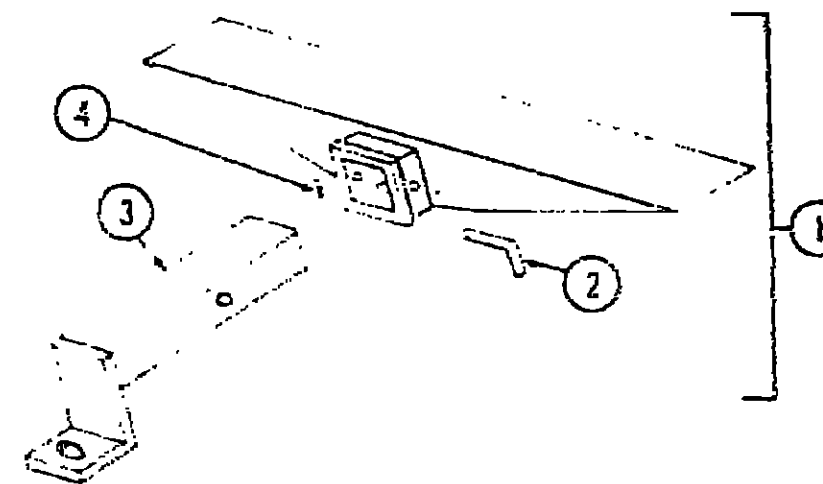
** The illustrated parts breakdown for this item is provided on the Common Item Page

CHASSIS GROUP

Key	Part Number	U/M	Description
	007263-01-000	EA	Bumper - Center Section - Front - Chrome
	007265-01-000	EA	Bumper - Outer Sections - Front - Chrome
	023495-01-000	EA	Bracket - Bumper - Front
	023520-04-000	EA	Bar - Bumper - Black - Right or Left
	022534-01-000	EA	Guard Asm - Front Bumper - Right
	022535-01-000	EA	Guard Asm - Front Bumper - Left
	021598-01-000	EA	Bumper - Center Section - Rear - Chrome
	007265-01-000	EA	Bumper - Outer Section - Rear - Chrome
	022531-01-000	EA	Bumper - Slotted Rear - Reinforcement
	007263-01-000	EA	Guard - Bumper - Chrome - Rear
	046043-03-000	EA	Bracket Asm. - Bumper
	040974-02-000	EA	Retaining Bar - Spare Tire
	033459-01-000	EA	Tank - Auxiliary Fuel - 22.9 Gallon
	038450-01-000	EA	Sending Unit - Fuel - 78 Ohm
	024611-02-000	EA	Cap - Gas - Pressure - 1.5" - Chrome
	024591-02-000	EA	Fill - Gas - w/Vent - 4.5" Long
	024735-01-000	FT	Hose - Fuel - 5/16" I.D.
	007111-01-000	FT	Hose - Fuel - 2 1/4" I.D.
	007242-01-000	EA	Tailpipe - Curved - 2 1/2" x 58"
	045953-01-000	EA	Hanger - Tailpipe
	007239-01-000	EA	Bracket - License
	033356-02-029	EA	Tie Down - Battery - Steel
	020275-01-000	EA	Bracket - Tie-down - Short Battery Box
	021276-01-000	EA	Tray - Battery - Steel
	037458-01-000	EA	Hoodboard - Steel - Right
	037458-02-000	EA	Hoodboard - Steel - Left

1975 WINNEBAGO TABLE OF CONTENTS

Introduction	A-1
Abbreviations	A-1
Alphabetical Index	A-2 - A-4
D25C	A-5 - B-14
D25CL	B-15 - C-24
D27C	D-1 - E-10
D27CL	E-11 - F-20
D29CURB	F-21 - H-6
D27CU	H-7 - I-18
D27CUL	I-19 - K-6
D25CU	K-7 - L-16



Key	Part Number	U/M	Description
1	023695-01-700	EA	Hitch Asm - Trailer
2	034512-01-000	EA	Locking Pin - Drawbar
3	024276-01-000	EA	Drawbar Asm - Trailer Hitch
4	034513-01-000	EA	Hitch Pin - 3/16" Wire

1975 D29CURB INDEX

Floor Plan	F-21 - F-22
Accessories Group	F-23 - F-24
Bath Group	G-1
Chassis Group	G-2
Curtain, Cushion & Pad Group	G-3 - G-5
Dinette Group	G-6
Driver's Compartment Group	G-6 - G-7
Electrical Group	G-8 - G-9
Exterior Body Group	G-10 - G-13
Galley Group	G-14
Heating & Air Conditioning Group	G-15
Interior Finish Group	G-16 - G-17
LP Group	G-18
Lounge Group	G-16
Water & Sewage Group	G-19
Window, Vent & Exterior Door Group	G-20 - G-24
	H-1 - H-6

CURTAIN, CUSHION AND PAD GROUP

CURTAINS

Key	Part Number	U/M	Description
	041143-77-000	EA	Curtain - Overdrape - 26" x 50" - Right - Olive
	041143-78-000	EA	Curtain - Overdrape - 26" x 50" - Right - Gold
	041144-77-000	EA	Curtain - Overdrape - 26" x 50" - Left - Olive
	041144-78-000	EA	Curtain - Overdrape - 26" x 50" - Left - Gold
	040426-02-000	EA	Curtain - Underdrape - 25" x 45" - Ivory
	041243-03-000	EA	Curtain - Wraparound - 30" x 104" - Right - Brown
	041244-03-000	EA	Curtain - Wraparound - 30" x 104" - Left - Brown
	033311-09-000	EA	Curtain - Blackout - 32" x 95" - Antique Brown Vinyl
	033311-03-000	EA	Curtain - Blackout - 35" x 95" - Antique Brown Vinyl
	033315-34-000	EA	Curtain - Aisle Divider - (2 Pieces 35" x 72") - Brown

VALANCES AND TIE BACKS

Key	Part Number	U/M	Description
	038323-13-000	EA	Valance - 6" x 76" - Olive
	038326-14-000	EA	Valance - 6" x 76" - Gold
	031843-26-000	EA	Tie Back - Curtain - 18" - Olive
	031843-27-000	EA	Tie Back - Curtain - 18" - Gold
	031843-28-000	EA	Tie Back - Curtain - 18" - Brown
	031843-04-000	EA	Tie Back - Curtain - 18" - Brown Vinyl

CURTAIN HARDWARE

Key	Part Number	U/M	Description
	044059-02-000	EA	Track - Curtain - Wraparound - "L" Rod Alum - Right
	044090-01-000	EA	Track - Curtain - Wraparound - "L" Rod Alum - Left
	018031-42-000	EA	Track - Curtain - "L" Rod Alum - 89"
	009701-01-000	EA	Carrier - Curtain - "L" Rod w/ Rollers
	029702-01-000	EA	End Stop - Curtain Track - "L" Rod
	052327-04-236	EA	Track - Curtain - Alum - 89" - Brown (Replaces 009108-01-000 Inanne Track)
	009107-01-000	EA	Carrier - Snap - Curtain
	009220-01-000	EA	Rod - Curtain - Flat - Extends - 18" - 28"
	009223-01-000	EA	Rod - Curtain - Flat - Extends - 32" - 51"
	009223-02-000	EA	Rod - Curtain - Flat - Extends - 48" - 84"
	009217-01-000	EA	Bracket - Curtain Rod - Left and Right



Key	Part Number	U/M	Description
1	029130-01-000	EA	Socket - Snap Fastener - 7 x 5/8" (Tie Backs)
2	029155-01-000	EA	Cap - Snap - 156" Dia x 17" Barrel (Tie Backs)
3	029156-01-000	EA	Socket - Snap Fastener (Tie Backs)
4	029092-01-000	EA	Stud - Nickel Finish (Curtains)
5	029093-01-000	EA	Eyelet - Nickel Finish (Curtains)

CURTAIN, CUSHION AND PAD GROUP (CONTINUED)

LOUNGE CUSHIONS AND COVERS

Key	Part Number	U/M	Description
	038478-09-000	EA	Cushion - Bolster - 9 1/2" x 20" - Round - Olive
	038478-10-000	EA	Cushion - Bolster - 9 1/2" x 20" - Round - Gold
	038478-09-009	EA	Cover - Cushion - Bolster - 9 1/2" x 20" - Round - Olive
	038478-10-010	EA	Cover - Cushion - Bolster - 9 1/2" x 20" - Round - Gold
	039523-07-000	EA	Bedspread - 76" (For Sealy Mattress) Olive
	039523-08-000	EA	Bedspread - 76" (For Sealy Mattress) Gold
	031517-18-000	EA	Chair - TT - w/Cushion and Base - Olive
	031517-19-000	EA	Chair - TT - w/Cushion and Base - Gold
	031775-18-000	EA	Cushion - TT Chair - Olive
	031775-19-000	EA	Cushion - TT Chair - Gold

MATTRESSES

Key	Part Number	U/M	Description
	031503-26-000	EA	Mattress - Flexsteel Bunk - 42" x 79" x 4" - Olive
	031503-27-000	EA	Mattress - Flexsteel Bunk - 42" x 79" x 4" - Gold
	031511-10-000	EA	Mattress - Side Bunk - 29" x 75" x 2" - 2 Fold w/Notched Rear Corners

BUCKET SEATS

Key	Part Number	U/M	Description
	033897-03-000	EA	Seat Asm. - Single Bucket w/o Slides, Armrests or Headrests w/Skirt - Olive
	033897-09-000	EA	Seat Asm. - Single Bucket w/o Slides, Armrests or Headrests w/Skirt - Gold
	033975-07-000	EA	Cover - Single Bucket Seat - Back - Olive
	033975-08-000	EA	Cover - Single Bucket Seat - Back - Gold
	033977-07-000	EA	Cover - Single Bucket Seat - Bottom - Olive
	033977-08-000	EA	Cover - Single Bucket Seat - Bottom - Gold
	033902-08-000	EA	Seat Asm. - Double Bucket w/o Armrests or Headrests w/Skirt - Olive
	033902-09-000	EA	Seat Asm. - Double Bucket w/o Armrests or Headrests w/Skirt - Gold
	033983-07-000	EA	Cover - Double Bucket Seat - Back - Olive
	033983-08-000	EA	Cover - Double Bucket Seat - Back - Gold
	033984-07-000	EA	Cover - Double Bucket Seat - Bottom - Olive
	033984-08-000	EA	Cover - Double Bucket Seat - Bottom - Gold
	036645-04-000	EA	Skirt - Single Bucket Seat - Olive
	036645-05-000	EA	Skirt - Single Bucket Seat - Gold
	031133-01-000	EA	Seat Protector - Back Corner - Brown Plastic
	029136-01-000	EA	Grommet - Headrest - Brown Nylon
	029038-01-000	EA	Clip - Fastener - Armrest - 3/8"
	029039-01-000	EA	Clip - Fastener - Armrest - 1/2" - Armrest and Headrest

**1975 WINNEBAGO
TABLE OF CONTENTS**

Introduction	A-1
Abbreviations	A-1
Alphabetical Index	A-2 - A-4
D25C	A-5 - B-14
D25CL	B-15 - C-24
D27C	D-1 - E-10
D27CL	E-11 - F-20
D29CURB	F-21 - H-6
D27CU	H-7 - I-18
D27CUL	I-19 - K-5
D25CU	K-7 - L-16

1975 D29CURB INDEX

Floor Plan	F-21 - F-22
Accessories Group	F-23 - F-24
Bath Group	G-1
Chassis Group	G-2
Curtain, Cushion & Pad Group	G-3 - G-5
Dinette Group	G-6
Driver's Compartment Group	G-6 - G-7
Electrical Group	G-8 - G-9
Exterior Body Group	G-10 - G-13
Galley Group	G-14
Heating & Air Conditioning Group	G-15
Interior Finish Group	G-15 - G-17
LP Group	G-18
Lounge Group	G-18
Water & Sewage Group	G-19
Window Vent & Exterior Door Group	G-20 - G-24
	H-1 - H-6

CURTAIN, CUSHION AND PAD GROUP (CONTINUED)

ARMREST AND HEADREST

Key	Part Number	U/M	Description
	033903-05-000	EA	Armrest Asm. - Right - Olive
	033903-06-000	EA	Armrest Asm. - Right - Gold
	033904-05-000	EA	Armrest Asm. - Left - Olive
	033904-06-000	EA	Armrest Asm. - Left - Gold
	033905-05-000	EA	Headrest Asm. - Olive
	033905-06-000	EA	Headrest Asm. - Gold

PADS

Key	Part Number	U/M	Description
	039869-01-000	EA	Pad - Wall Mount Armrest - Right - Olive
	039869-02-000	EA	Pad - Wall Mount Armrest - Right - Gold
	039869-01-000	EA	Pad - Wall Mount Armrest - Left - Olive
	039869-02-000	EA	Pad - Wall Mount Armrest - Left - Gold
	039896-01-000	EA	Pad - Radius Hat Channel - 10 7/8" x 4" - Antique Brown Vinyl
	039896-02-000	EA	Pad - Radius Hat Channel - 4 5/8" x 11" - Antique Brown Vinyl
	039889-01-000	EA	Pad - Overhead Bunk Board - Left - Antique Brown Vinyl
	039889-01-000	EA	Pad - Overhead Bunk Board - Right - Antique Brown Vinyl
	039897-01-000	EA	Pad - Quarter Panel - Right - Antique Brown Vinyl
	039898-01-000	EA	Pad - Quarter Panel - Left - Antique Brown Vinyl
	023631-04-000	EA	Button w/Nail - Brown Vinyl
	038777-03-000	EA	Cover - Toilet Seat - Brown
	038778-03-000	EA	Skirt - Toilet - Brown

FABRICS

Key	Part Number	U/M	Description
	038865-02-000	YD	Fabric - Upholstery - Floral - Olive
	038865-01-000	YD	Fabric - Upholstery - Floral - Gold
	037677-01-000	YD	Fabric - Drapery - Olive
	037677-02-000	YD	Fabric - Drapery - Gold
	037677-03-000	YD	Fabric - Drapery - Brown
	039174-01-000	YD	Fabric - Underdrapes - Ivory
	039176-01-000	YD	Vinyl - Antique Brown

DINETTE GROUP

Key	Part Number	U/M	Description
	046553-03-700	EA	Table - Dinette - Fold Down w/One Leaf and Hardware 16" x 48" - Butcher Block
	009015-01-000	EA	Leg - Table - Fold Up - 28 1/4"
	040543-01-700	EA	Cabinet Asm. - Left - Dinette Overhead w/o Doors or Hardware
	040543-01-701	EA	Door Asm. - Overhead Cabinet - 10 1/8" x 22 1/4" (Hole Size) w/o Hardware
	040551-01-700	EA	Cabinet Asm. - Television/Liquor w/o Countertop, Drawer or Hardware
	040551-01-701	EA	Countertop Asm. - Television/Liquor Cabinet w/Flip Up Door - Butcher Block
	040551-01-702	EA	Drawer Asm. - Television Cabinet - 12" x 5 1/4" w/o Hardware
	040547-01-700	EA	Cabinet Asm. - Overhead (Mounts over Television Cabinet) w/o Doors or Hardware
	040547-01-701	EA	Door Asm. - Television Overhead Cabinet - 10 1/8" x 18" (Hole Size) w/o Hardware

DRIVER'S COMPARTMENT GROUP

BUCKET SEAT PEDESTAL AND SEAT BELTS

Key	Part Number	U/M	Description
	041459-01-000	EA	Pedestal - Top - Single Seat
	041459-01-000	EA	Pedestal - Top - Double Seat
	041654-01-000	EA	Pedestal Base - Single & Double Seat - w Tightener
	038832-01-000	EA	Rod - Seat Adjuster
	007223-01-000	EA	Adjuster Asm. - Seat w/Lock
	007227-01-000	EA	Adjuster Asm. - Seat w/o Lock
	007019-01-000	EA	Belt Asm. - Seat - 2" x 8 1/2" - Black
	041322-01-000	EA	Washer - Flat - 15/32" I.D. x 2 3/8" O.D. - Seat Belt
	023580-01-000	EA	Bracket - Seat Belt
	007021-01-000	EA	Belt Asm. - Seat - 2" x 9 1/2" - Black

DASH PANEL AND COMPONENTS

Key	Part Number	U/M	Description
	031623-01-000	EA	Dash Asm. - Complete w/Gauges and Switches
	022719-01-000	EA	Door - Glove Compartment
	029118-01-000	EA	Lock - Twist w/Nut
	023692-01-000	EA	Box - Glove Compartment - Black Fiberboard
	039066-01-000	EA	Hinge - Continuous - Aluminum - 1 3/4" x 72" - Plain
	034309-01-000	EA	Chain - Bead - Glove Box Door
	024834-01-000	EA	Panel - Knee Lock (Bottom of Door)
	024418-01-000	EA	Lamp Asm. - Map Gauge
	007305-01-000	EA	Clock - Dash
	007037-01-000	EA	Lighter Asm. - Cigarette - 12 Volt
	007041-01-000	EA	Bezel - Cigarette Lighter
	023589-01-000	EA	Bezel - Entertainment Center - All Options
	024979-01-000	EA	Bezel - Entertainment Center - Lighter Only
	024760-01-000	EA	Bezel - Entertainment Center - Lighter, Clock, Radio and Fader
	007071-01-000	EA	Louver - Chrome - w/Chrome Wheel
	024990-01-000	EA	Outlet - Defroster - w/Swivel - 2" Tan
	024006-01-000	EA	Diffuser Case - Air Conditioning - 2 1/2" Black
	023029-01-000	EA	Lamp Asm. - Tell Tale
	039044-01-000	EA	Louver Asm. - A/C Adjustable
	022540-02-000	EA	Pad - Dash - Foam - Right - Oxen Tan
	023242-02-000	EA	Pad - Dash - Foam - Left - Oxen Tan

1975 WINNEBAGO TABLE OF CONTENTS

Introduction	A-1
Abbreviations	A-1
Alphabetical Index	A-2 - A-4
D25C	A-5 - B-14
D25CL	B-15 - C-24
D27C	D-1 - E-10
D27CL	E-11 - F-20
D29CURB	F-21 - H-6
D27CU	H-7 - I-18
D27CUL	I-19 - K-6
D25CU	K-7 - I-16

1975 D29CURB INDEX

Floor Plan	F-21 - F-22
Accessories Group	F-23 - F-24
Bath Group	G-1
Chassis Group	G-2
Curtain, Cushion & Pad Group	G-3 - G-5
Dinette Group	G-6
Driver's Compartment Group	G-6 - G-7
Electrical Group	G-8 - G-9
Exterior Body Group	G-10 - G-13
Galley Group	G-14
Heating & Air Conditioning Group	G-15
Interior Finish Group	G-15 - G-17
LP Group	G-18
Lounge Group	G-18
Water & Sewage Group	G-19
Window, Vent & Exterior Door Group	G-20 - G-24
	H-1 - H-6

DRIVER'S COMPARTMENT GROUP (CONTINUED)

DASH SWITCHES AND GAUGES

Key	Part Number	U/M	Description
	024466-01-000	EA	Switch - Rear Wiper
	024976-01-000	EA	Switch - Generator w/o Circuit Board
	024461-01-000	EA	Switch - Battery
	024463-01-000	EA	Switch - Blinker
	024464-01-000	EA	Switch - Washer
	024465-01-000	EA	Switch - Fuel
	024467-01-000	EA	Switch - Wiper
	024462-01-000	EA	Switch - Battery Condition
	024907-01-000	EA	Control Asm. - Heater - A C - 3 Speed
	031376-02-000	EA	Control Asm. - Heater - 2 Speed
	024459-01-000	EA	Gauge - Voltmeter
	024450-01-000	EA	Gauge - Vacuum
	031373-01-000	EA	Gauge - Auxiliary Fuel
	031005-01-000	EA	Gauge - Hourmeter

FRONT OVERHEAD BUNK CABINET

Key	Part Number	U/M	Description
	031471-03-700	EA	Cabinet Asm - Glide-Away - Overhead
	031471-03-701	EA	Door - Sliding - Glide-Away - Overhead
	009145-01-000	EA	Fingerpull
	009785-01-000	FT	Track - Sliding Door - Upper - Plastic
	009725-01-000	FT	Track - Sliding Door - Lower - Plastic

MISCELLANEOUS DRIVER'S COMPARTMENT COMPONENTS

Key	Part Number	U/M	Description
	034800-02-000	EA	Cover - Motor - Plastic
	020753-01-000	EA	Seal - Motor Cover
	035022-01-000	FT	Tape - Windshield 3'8" x 3'8" - Butyl
	039857-01-000	EA	Latch - Rubber - Draw Handle - 5 3/4" w Strike
	039856-01-000	EA	Latch - Rubber - Draw Handle - 3" w Strike
	033960-01-000	EA	Cable - Fresh Air - Bowden - 52"
	007278-01-000	EA	Mirror - Inside - 4 1/2" x 9"
	031003-03-000	EA	Side Panel - Oxen Tan - Left
	031004-03-000	EA	Side Panel - Oxen Tan - Right
	022758-02-000	EA	Sunvisor Asm - Right - Oxen Tan
	022759-02-000	EA	Sunvisor Asm - Left - Oxen Tan

ELECTRICAL GROUP

BULBS

Key	Part Number	U/M	Description
	037935-01-000	EA	Bulb - 1157
	038019-01-000	EA	Bulb - 1143
	006103-01-000	EA	Bulb - 53
	008214-01-000	EA	Bulb - 67
	008215-01-000	EA	Bulb - 1003
	008216-01-000	EA	Bulb - 1034
	008217-01-000	EA	Bulb - 1071
	008218-01-000	EA	Bulb - 1141
	008119-01-000	EA	Bulb - 656
	005220-01-000	EA	Bulb - 12 Volt - 25 Watt
	036100-01-000	EA	Bulb - 194
	700020-01-000	EA	Bulb - 12 Volt - 20 Watt - 1353
	008213-01-000	EA	Bulb - 57

EXTERIOR LIGHTS

Key	Part Number	U/M	Description
	008089-01-000	EA	Light - Porch - Recessed
	039866-01-000	EA	Lens - Clearance Light - Round Amber
	039865-01-000	EA	Lens - Clearance Light - Round Red
	033562-01-000	EA	Light - Clearance - Oval - Amber - 2 Bulb
	032748-01-000	EA	Light - Clearance - Oval - Amber - 1 Bulb
	033749-02-000	EA	Light - Clearance - Oval - Red - 1 Bulb
	037585-01-000	EA	Lamp Asm - Tail - Right
	037585-02-000	EA	Lamp Asm - Tail - Left
	037585-03-000	EA	Lens - Tail Lamp - Right
	037585-04-000	EA	Lens - Tail Lamp - Left
	037585-01-000	EA	Lamp Asm - Turn - Right
	037585-02-000	EA	Lamp Asm - Turn - Left

INTERIOR LIGHTS

Key	Part Number	U/M	Description
	007309-01-000	EA	Light - Stepwell
	024473-01-000	EA	Light - Aircraft - 1 Bulb - Gold
	033508-01-000	EA	Light - Dome - 1 Bulb
	033509-01-000	EA	Light - Dome - 2 Bulb
	024642-01-701	EA	Lens - Dome Light - 1 Bulb
	024643-01-701	EA	Lens - Dome Light - 2 Bulb
	039859-01-000	EA	Lighter - w Night Light and Wall Plate

WINDSHIELD WIPER AND WASHER

Key	Part Number	U/M	Description
	007029-01-000	EA	Washer Asm - Electric - Front
	007191-01-000	EA	Washer Asm - Electric - Rear
	037999-01-000	EA	Motor Asm - Windshield Wiper
	037998-01-000	EA	Link Asm - Connecting - 22 1/2" Long
	038000-01-000	EA	Blade - Windshield Wiper - 16"
	038001-01-000	EA	Shaft and Pivotal Asm - 2 25" Arm
	037997-01-000	EA	Arm - Windshield Wiper - 15"
	700073-05-000	EA	Pump and Cover Asm - (Washer)
	700073-02-000	EA	Washer - Nozzle Hardware Package - Front

**1975 WINNEBAGO
TABLE OF CONTENTS**

Introduction	A-1
Abbreviations	A-1
Alphabetical Index	A-2 - A-4
D25C	A-5 - B-14
D25CL	B-15 - C-24
D27C	D-1 - E-10
D27CL	E-11 - F-20
D29CURB	F-21-H-6
D27CU	H-7 - I-18
D27CUL	I-19 - K-6
D25CU	K-7 - L-16

1975 D29CURB INDEX

Floor Plan	F-21 - F-22
Accessories Group	F-23 - F-24
Bath Group	G-1
Chassis Group	G-2
Curtain, Cushion & Pad Group	G-3 - G-5
Dinette Group	G-6
Driver's Compartment Group	G-6 - G-7
Electrical Group	G-8 - G-9
Exterior Body Group	G-10 - G-13
Galley Group	G-14
Heating & Air Conditioning Group	G-15
Interior Finish Group	G-16 - G-17
LP Group	G-18
Lounge Group	G-18
Water & Sewage Group	G-19
Window, Vent & Exterior Door Group	G-20 - G-24
	H-1 - H-6

ELECTRICAL GROUP (CONTINUED)

FUSES AND CIRCUIT BREAKERS

Key	Part Number	U/M	Description
	008233-01-000	EA	Fuse - 12 Volt - 6 Amp
	008234-01-000	EA	Fuse - 12 Volt - 10 Amp
	008235-01-000	EA	Fuse - 12 Volt - 15 Amp
	008236-01-000	EA	Fuse - 12 Volt - 20 Amp
	008248-01-000	EA	Fuse - 12 Volt - 30 Amp
	008278-01-000	EA	Fuse - 12 Volt - 9 Amp
	008251-01-000	EA	Fuse Holder - Black - Screw Type
	008212-01-000	EA	Circuit Breaker - 12 Volt - 5 Amp
	008208-01-000	EA	Circuit Breaker - 12 Volt - 40 Amp
	033573-01-000	EA	Circuit Breaker - 12 Volt - 20 Amp
	018268-01-000	EA	Circuit Breaker - 12 Volt - 30 Amp
	006299-01-000	EA	Circuit Breaker - 12 Volt - TOP115
	008300-01-000	EA	Circuit Breaker - 12 Volt - TOP230
	008295-01-000	EA	Load Center - 50 Amp - 6 Circuit
	002275-01-000	EA	Safety Block - Circuit Breaker
	008297-01-000	EA	Circuit Breaker - 12 Volt - TOP120
	041079-01-000	EA	Control Center - 50 Amp w/Door - UL

WIRE SWITCHES AND RECEPTACLES

Key	Part Number	U/M	Description
	008024-01-000	FT	Wire - 18.5 Bonded - Orange, White, Yellow, Blue, Brown
	008025-01-000	FT	Wire - 18.5 Bonded - Orange, White, Yellow, Blue, Green
	008026-01-000	FT	Wire - 18.5 Bonded - Blue, Red, Yellow, Orange, White
	008032-01-000	FT	Wire - 18.4 Bonded
	008195-01-000	EA	Switch - Push Button - 12 Volt
	008162-01-000	EA	Switch - Double Toggle - Space Brown
	008163-01-000	EA	Switch - Toggle - Brown
	006077-01-000	EA	Plaque - Compressor Switch
	008054-01-000	EA	Power Cord - 25'
	008058-01-000	EA	Adaptor - Power Cord
	024924-01-000	EA	Receptacle - Power Cord - w/Plate
	008157-01-000	EA	Receptacle - Duplex - Brown
	047351-01-000	EA	Receptacle - Ground Fault Interrupter - 125 Volt
	024571-01-000	EA	Cover Plate - Receptacle - Jumbo Steel Brown
	008164-01-000	EA	Cover Plate - Switch - Single Plastic Brown
	031295-01-000	EA	Receptacle - TV - 12 Volt - Brown

MISCELLANEOUS ELECTRICAL COMPONENTS

Key	Part Number	U/M	Description
	039859-01-000	EA	Lighter - w/Night Light and Wall Plate
	046775-01-000	EA	Valve Asm - Fuel Changeover
	009188-01-000	EA	Solenoid - Dual Battery - Relay
	047389-01-000	EA	Battery - 12 Volt - 105 Amp Deep Cycle - Dry
	047338-01-000	EA	Isolator - Dual Battery
	024417-01-000	EA	Panel - Control - Water/Double Sewage - Wemac
	011024-01-000	EA	Sending Unit - Water Tank - 5 Wire
	039861-01-000	EA	Sending Unit Kit - Wemac
	008257-01-000	EA	Converter - 30 Amp - Electronic
	007205-01-000	EA	Battery - 12 Volt - 200 Amp - Willard

EXTERIOR BODY GROUP

LABELS AND DECALS

Key	Part Number	U/M	Description
	006001-01-000	EA	Nameplate - Plastic - Winnebago - Chrome
	006023-01-000	EA	Label - Water Only
	006025-01-000	EA	Label - Gas
	006031-01-000	EA	Label - Potable Water Only
	006040-01-000	EA	Tag - Gas Refueling Warning
	006187-01-000	EA	Label - Sewage
	006188-01-000	EA	Label - Waste Water
	006199-01-000	EA	Label - Exit - Escape Hatch
	006028-01-000	EA	Label - Drain Cap - 2" x 3"
	006084-01-000	EA	Label - Auxiliary Gas
	038284-01-000	EA	Decal - Grille - Flying W
	038403-01-000	EA	Decal - Logo - Winnebago - 2 8"
	041277-01-000	EA	Decal - Flying W - Right - Brown
	041277-02-000	EA	Decal - Flying W - Left - Brown
	041273-01-000	FT	Decal - Stripe - 2" Black
	041274-01-000	FT	Decal - Striping - 2 1/2" Brown
	041275-01-000	EA	Decal - Curved Section - Right - Black
	041275-02-000	EA	Decal - Curved Section - Left - Black
	041276-01-000	EA	Decal - Custom Logo - Right - Brown
	041276-02-000	EA	Decal - Custom Logo - Left - Brown
	006092-01-000	EA	Reflector - Stick On - Rectangular - Red
	006093-01-000	EA	Reflector - Stick On - Rectangular - Amber

SEALANTS, ADHESIVES AND FASTENERS

Key	Part Number	U/M	Description
	034552-05-000	EA	Sealant - Off White - Silicone
	034552-04-000	EA	Sealant - Beige - Silicone
	034552-02-000	EA	Sealant - Clear - Silicone
	004346-02-000	EA	Sealant - Aluminum - Silicone
	004349-01-000	EA	Sealant - Black - Silicone
	004342-01-000	EA	Sealant - Weatherbar - 202 Tube
	004346-02-000	EA	Sealant - White - Silicone
	002315-01-000	FT	Sealer Tape - 3/32" x 3/8" - White
	024545-01-000	FT	Sealer Tape - 1/8" x 5/8" - Black
	004350-01-000	FT	Sealer Tape - 1/8" x 1" - Formaseal
	004352-01-000	FT	Sealer Tape - 1/8" x 3/4" - Formaseal
	004355-01-000	FT	Sealer Tape - 1/8" x 5/8" - Black
	004357-01-000	FT	Sealer Tape - 1/8" x 5/8" - Adhesive
	002707-02-000	FT	Sealer Tape - 5/16" x 1/2"
	002707-01-000	FT	Sealer Tape - 5/16" x 3/4" - Black Foam
	002708-01-000	FT	Sealer Tape - 5/16" x 1/2"
	004363-01-000	FT	Sealer Tape - 3/16" x 1/2" - Foam
	004362-01-000	FT	Sealer Tape - 1/8" x 5/8" - Foam
	009200-01-000	EA	Tape - Furnace - 1 1/2"
	041839-01-000	FT	Tape - Window Latch - 3/4" - Adhesive
	041839-02-000	FT	Tape - Window Latch - 1/2" - Adhesive
	004353-01-000	FT	Tape - Gasket - 1/8" x 3/4" - White
	002825-01-000	FT	Weather Stripping - Roof Vent
	002337-01-000	FT	Adhesive - 3M - 1300 Tube
	004005-01-000	GL	Adhesive - Swifts - Green Glue (Sidewall)
	004012-01-000	EA	Adhesive - 3M - 4475 Tube
	004020-01-000	QT	Adhesive - ABS Cement (Plastic Fittings)
	029051-01-000	EA	Adhesive - Spray Vinyl
	042401-01-000	EA	Screw - 8-18 x 3/4" SDPH - Beige
	042403-01-000	EA	Screw - SFDR - 8-18 x 1" - Beige
	006081-01-000	EA	Screw - Wood - 12-11 x 3" P.O.H. - Zinc

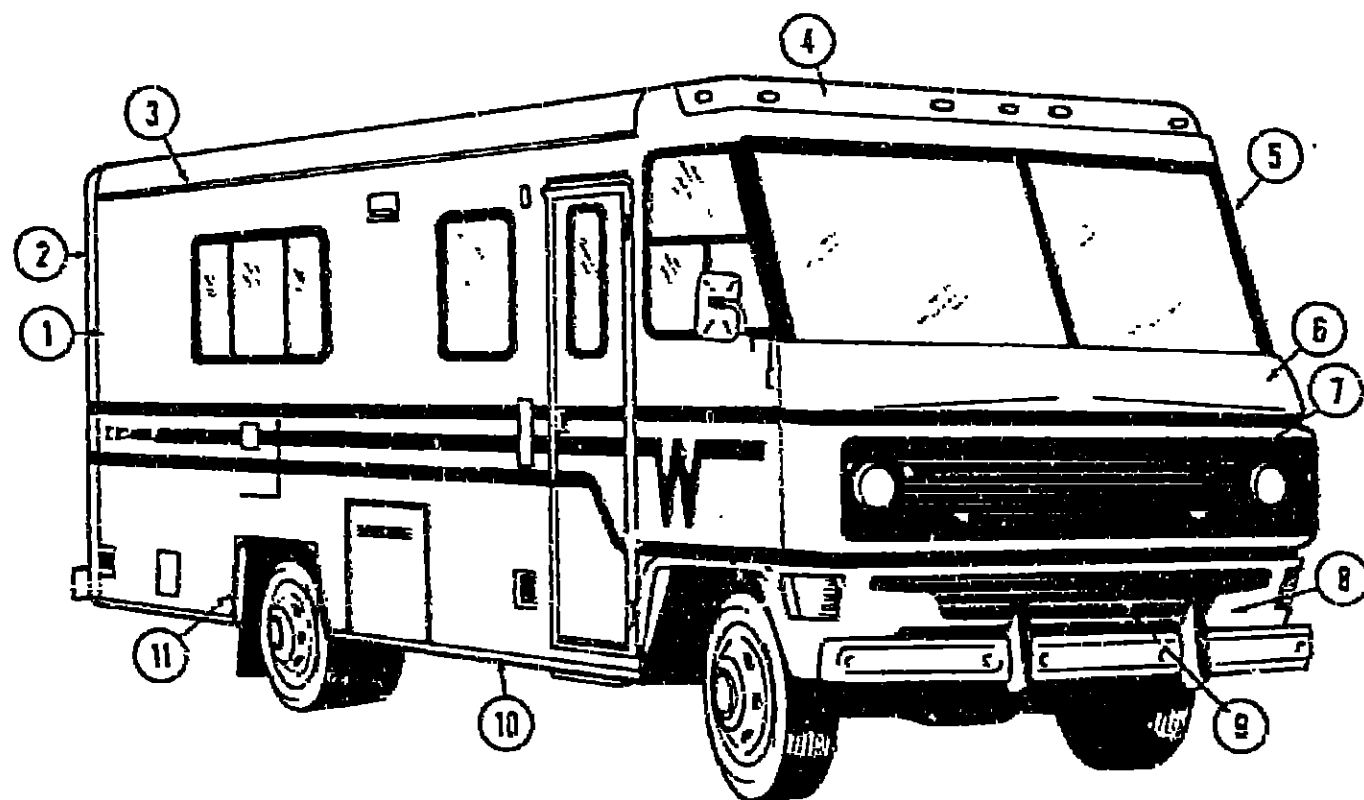
1975 WINNEBAGO TABLE OF CONTENTS

Introduction	A-1
Abbreviations	A-1
Alphabetical Index	A-2 - A-4
D25C	A-5 - B-14
D25CL	B-15 - C-24
D27C	D-1 - E-10
D27CL	E-11 - F-20
D29CURB	F-21 - H-6
D27CU	H-7 - I-18
D27CUL	I-19 - K-6
D25CU	K-7 - L-16

1975 D29CURB INDEX

Floor Plan	F-21 - F-22
Accessories Group	F-23 - F-24
Bath Group	G-1
Chassis Group	G-2
Curtain, Cushion & Pad Group	G-3 - G-5
Dinette Group	G-6
Driver's Compartment Group	G-6 - G-7
Electrical Group	G-8 - G-9
Exterior Body Group	G-10 - G-13
Galley Group	G-14
Heating & Air Conditioning Group	G-15
Interior Finish Group	G-16 - G-17
LP Group	G-18
Lounge Group	G-18
Water & Sewage Group	G-19
Window, Vent & Exterior Door Group	G-20 - G-24
	H-1 - H-6

EXTERIOR BODY GROUP (CONTINUED)



Key	Part Number	U/M	Description
1	044975-05-000	EA	Extr. - "J" Molding - 120" - Beige
2	040363-01-000	EA	Cap Asm. - Fiberglass w/Small Window Cutout - Rear
3	009717-02-002	EA	Extr. - Dnp Rail - 19'
4	038512-01-000	EA	Cap Asm. - Fiberglass - Front - Above Windshield
5	037455-01-000	EA	Frame Asm. - Windshield w/o Glass
6	040362-01-000	EA	Cap Asm. - Fiberglass - Front - Below Windshield
7	037809-01-000	EA	Grille Asm. - Upper
8	033632-01-000	EA	Cap Asm. - Fiberglass - Lower Wraparound
9	038064-01-000	EA	Grille Asm. - Lower
10	037568-03-001	EA	Extr. - Rocker Panel - Beige

Key	Part Number	U/M	Description
11	039983-01-000	EA	Trim - Rear Wheelwell - Left or Right
"	002776-02-001	EA	Extr. - Anod. - U-Channel - Serrated - 1 3/4" x 16'
"	002779-02-001	EA	Extr. - Anod. - U-Channel - Ribbed - 1 3/4" x 16'
"	002754-02-001	EA	Extr. - Anod. - Angle - 3/4" x 3/4" x 18'
"	002365-02-001	EA	Extr. - Anod. - U-Channel - Serrated - 1" x 15'
"	021497-01-000	EA	Latch Asm. - Grille
"	038493-01-000	EA	Trim - Windshield - Right - Black
"	038493-02-000	EA	Trim - Windshield - Left - Black
"	038494-01-000	EA	Trim - Windshield - Center - Black
"	Not Illustrated		

1975 WINNEBAGO
TABLE OF CONTENTS

Introduction	A-1
Abbreviations	A-1
Alphabetical Index	A-2 - A-4
D25C	A-5 - B-14
D25CL	B-15 - C-24
D27C	D-1 - E-10
D27CL	E-11 - F-20
D29CURB	F-21 - H-6
D27CU	H-7 - I-18
D27CUL	I-19 - K-6
D25CU	K-7 - L-16

1975 D29CURB INDEX

Floor Plan	F-21 - F-22
Accessories Group	F-23 - F-24
Bath Group	G-1
Chassis Group	G-2
Curtain, Cushion & Pad Group	G-3 - G-5
DINETTE Group	G-6
Driver's Compartment Group	G-6 - G-7
Electrical Group	G-8 - G-9
Exterior Body Group	G-10 - G-13
Galley Group	G-14
Heating & Air Conditioning Group	G-15
Interior Finish Group	G-16 - G-17
LP Group	G-18
Lounge Group	G-18
Water & Sewage Group	G-19
Window, Vent & Exterior Door Group	G-20 - G-24
	H-1 - H-5

EXTERIOR BODY GROUP (CONTINUED)

EXTERIOR BODY PANELS AND SHEET ALUMINUM

Key	Part Number	U/M	Description
	037752-01-000	EA	Backwall Asm.
	037751-01-000	EA	Roof Asm.
	037749-01-000	EA	Sidewall Asm. - Right
	037750-01-000	EA	Sidewall Asm. - Left
	040363-01-000	EA	Cap - Rear - Fiberglass
	040565-01-000	EA	Spare Tire Cover
	039155-02-009	EA	Aluminum - Beige Mesa Design - .024" x 35" x 60"
	039155-02-002	EA	Aluminum - Beige Mesa Design - .024" x 35" x 300"
	039155-02-003	EA	Aluminum - Beige Mesa Design - .024" x 35" x 360"
	039155-02-007	EA	Aluminum - Beige Mesa Design - .024" x 48" x 60"
	039155-02-005	EA	Aluminum - Beige Mesa Design - .024" x 48" x 300"
	039155-02-006	EA	Aluminum - Beige Mesa Design - .024" x 48" x 360"
	039155-02-009	EA	Aluminum - Beige Mesa Design - .024" x 12" x 360"
	028545-01-000	EA	Aluminum - Beige Greyhound Design - .024" x 48" x 95"
	001016-01-024	EA	Aluminum - Beige No Design - .024" x 48" x 95"
	000866-01-000	BF	Styrofoam - 3'4" x 24" x 95"
	000870-01-000	BF	Styrofoam - 1 1/2" x 24" x 95"

EXTERIOR PAINT

Key	Part Number	U/M	Description
	044486-01-000	EA	Paint - Beige - Acrylic Enamel - 1 Gallon
	044486-03-000	EA	Paint - Beige - Acrylic Enamel - 16 Oz. Aerosol
	044486-04-000	EA	Paint - Beige - Acrylic Lacquer - 1 Gallon
	041561-01-000	EA	Paint - Off White - Acrylic Enamel - 1 Gallon
	041561-03-000	EA	Paint - Off White - Acrylic Enamel - 16 Oz. Aerosol
	041551-04-000	EA	Paint - Off White - Acrylic Lacquer - Gallon

MISCELLANEOUS EXTERNALLY MOUNTED PARTS

Key	Part Number	U/M	Description
	016253-01-000	EA	Fuel Fill - Recessed - Single - Beige - 2 7/16" Hole
	016253-02-000	EA	Fuel Fill - Recessed - Single - Beige - 2" Hole
	015587-05-000	EA	Fuel Fill - Recessed - Double - Beige
	022623-02-000	EA	Water Fill - Recessed - Beige
	031564-01-000	EA	Handle - Assist - Recessed - White
	011129-01-000	EA	Plumbing Seal - Roof - White - 1 1/2"
	011124-01-000	EA	Plumbing Seal - Roof - White - 1 1/4"
	011005-01-000	EA	Spout - Water Fill - w/Gauge
	049347-01-000	EA	Mirror Head - 7 1/2" x 10 1/2" - Stainless Steel
	049348-01-000	EA	Arm - Low Mount Mirror - Brte Finish
	049344-01-000	EA	Bracket - Mirror - Outside - Beige

GALLEY GROUP

Key	Part Number	U/M	Description
	040638-01-700	EA	Cabinet Asm. - Galley w/o Countertop, Drawers, Doors or Hardware
	040638-01-701	EA	Countertop Asm. - Galley Cabinet - Butcher Block
	040638-01-702	EA	Drawer Asm. - Galley Cabinet - 5 1/4" x 14 1/8" w/o Hardware
	040638-01-703	EA	Drawer Asm. - Galley Cabinet - 4 3/4" x 20 1/2" w/o Hardware
	040638-01-704	EA	Door Asm. - Galley Cabinet - 14 1/4" x 27 3/8" w/o Hardware
	040638-01-705	EA	Door Asm. - Galley Cabinet - 5 3/8" x 27 3/8" w/o Hardware
	040641-01-700	EA	Cabinet Asm. - Galley Overhead w/o Doors or Hardware
	040541-01-701	EA	Door Asm. - Galley Overhead Cabinet - 10 1/8" x 28" (Hole Size) w/o Hardware
	040640-01-700	EA	Door Asm. - Refrigerator Cabinet - 14 1/8" x 20 11/16" (Hole Size) w/o Hardware
	011033-01-000	EA	Sink - Stainless Steel Double - Large/Small w/Bolts
	011054-01-000	EA	Faucet Asm. - Swivel w/Single Handle and Aerator
	011053-01-700	EA	Aerator - Swivel Faucet
	005091-01-000	EA	Tray - Cutlery - Gold
	040435-01-000	EA	Galley Extension - Butcher Block w/Hardware
	009059-01-000	EA	Hinge - Galley Extension - 2' Gold
	009049-01-000	EA	Support - Galley Extension Table
	041829-07-000	EA	Sink Cover - Small - Butcher Block
	044830-07-000	EA	Sink Cover - Large - Butcher Block
**	034542-01-000	EA	Refrigerator - Winnebago - Two Door - W6
**	034544-01-000	EA	Refrigerator - Winnebago - Two Door - W7
**	034545-01-000	EA	Refrigerator - Winnebago - One Door - W6
**	003336-01-000	EA	Refrigerator - Dometic - One Door - RM66
**	003337-01-000	EA	Refrigerator - Dometic - Two Door - RM76
**	003016-01-000	EA	Range - Coleman Eyelevel - 2209C
**	046747-01-000	EA	Range - Coleman Eyelevel - 2209F
*	024669-01-000	EA	Hood - Range - Eyelevel Oven - Strawine
*	024658-01-700	EA	Filter - Range Hood - Eyelevel Oven - Strawine
*			Not illustrated

** The illustrated parts breakdown for this item is provided on the Common Items Fiche.

1975 WINNEBAGO TABLE OF CONTENTS

Introduction	A-1
Abbreviations	A-1
Alphabetical Index	A-2 - A-4
D25C	A-5 - B-14
D25CL	B-15 - C-24
D27C	D-1 - E-10
D27CL	E-11 - F-20
D29CURB	F-21-H-6
D27CU	H-7 - I-18
D27CUL	I-19 - K-6
D25CU	K-7 - L-16

1975 D29CURB INDEX

Floor Plan	F-21 - F-22
Accessories Group	F-23 - F-24
Bath Group	G-1
Chassis Group	G-2
Curtain, Cushion & Pad Group	G-3 - G-5
Dinette Group	G-6
Driver's Compartment Group	G-6 - G-7
Electrical Group	G-8 - G-9
Exterior Body Group	G-10 - G-13
Galley Group	G-14
Heating & Air Conditioning Group	G-15
Interior Finish Group	G-16 - G-17
LP Group	G-18
Lounge Group	G-18
Water & Sewage Group	G-19
Window, Vent & Exterior Door Group	G-20 - G-24
	H-1 - H-6

HEATING AND AIR CONDITIONING GROUP

EVANS AUTOMOTIVE HEATING AND AIR CONDITIONING

Key	Part Number	U/M	Description
	033922-01-000	EA	Evaporator - Air Conditioner
	033932-01-000	EA	Valve - Expansion
	033938-01-000	EA	Core - Heater
	035459-01-701	EA	Blower Asm. - 3 Speed w/Motor
	033926-01-000	EA	Cold Control
	035459-01-704	EA	Resistor - Evans Heater
	048217-01-000	EA	Switch - Fan - 3 Speed Evans
	033933-01-000	EA	Compressor - Auto Air - Evans
	033855-01-000	EA	Condenser - Radiator Mount - Evans
	033854-01-000	EA	Receiver Drier
	033934-01-000	EA	Clutch - Compressor - Evans
	048228-01-000	EA	Kit - Auto Air - 440 - Evans
**	003135-01-000	EA	Furnace - Coleman - 23,000 B.T.U. - 4023
**	003136-01-000	EA	Furnace - Coleman - 28,000 B.T.U. - 4028
**	003140-01-000	EA	Furnace - Coleman - 30,000 B.T.U. - 4030
**	041603-01-000	EA	Furnace - Coleman - 23,000 B.T.U. - 4225
**	041604-01-000	EA	Furnace - Coleman - 28,000 B.T.U. - 4230
**	041605-01-000	EA	Furnace - Coleman - 31,000 B.T.U. - 4235
**	003119-01-000	EA	Furnace - Suburban - 16,000 B.T.U. - NT16
**	034014-01-000	EA	Furnace - Lear Siegler - 32,000 B.T.U. - SRF32
**	003126-01-000	EA	Air Conditioner Asm. - Roof Mount - 10,000 BTU Mech I - Coleman w/o Inside Shroud
**	031830-01-000	EA	Air Conditioner Asm. - Roof Mount - 13,500 BTU Mech III - Coleman w/o Inside Shroud
**	049777-01-000	EA	Air Conditioner - Roof Mount - Ivory - 11,000 BTU Coleman - w/o Inside Shroud
**	049774-01-000	EA	Air Conditioner - Roof Mount - Ivory - 13,500 BTU Coleman - w/o Inside Shroud
**	041738-01-000	EA	Shroud Asm. - Air Conditioner - Inside Ceiling Cool Only - Mech I or Mech III
**	049772-01-000	EA	Shroud Asm. - Air Conditioner - Inside Ceiling Cool Only - 11,000 BTU - Ivory
**	049775-01-000	EA	Shroud Asm. - Air Conditioner - Inside Ceiling Cool Only - 13,500 BTU - Ivory
**	049776-01-000	EA	Shroud Asm. - Air Conditioner - Inside Ceiling Heat and Cool - 13,500 BTU - Ivory

** The illustrated parts breakdown for this item is provided on the Common Items Fiche

INTERIOR FINISH GROUP

PANELING AND COUNTERTOP MATERIALS

Key	Part Number	U/M	Description
	037679-01-000	SF	Panel - Ivory Linen - 48" x 96"
	024944-01-000	SF	Panel - Aztec Gold - Green - 48" x 96"
	024951-01-000	SF	Panel - Bath Wall - White
	037681-01-000	SF	Panel - Burlwood - 48" x 96"
	024942-01-000	SF	Panel - 150 Cherry - 48" x 96"
	000726-02-000	EA	Batt Strip - 150 Cherry
	037682-01-000	SF	Plastic Laminate - 48" x 96" - Butcher Block
	033204-01-000	SF	Plastic Laminate - Antique Leather - 48" x 96"
	009814-05-000	FT	T-Molding - Brown
	009814-05-000	FT	T-Molding - Tan - Butcher Block

FABRICS AND CARPET

Key	Part Number	U/M	Description
	038665-02-000	YD	Fabric - Upholstery - Green
	038665-01-000	YD	Fabric - Upholstery - Gold
	037677-01-000	YD	Fabric - Drapes - Outer - Green
	037677-02-000	YD	Fabric - Drapes - Outer - Gold
	037677-03-000	YD	Fabric - Drapes - Outer - Brown
	039174-01-000	YD	Fabric - Drapes - Inner - Ivory
	039176-01-000	YD	Vinyl - Nonsupport - Brown
	037678-03-000	SY	Carpet - Brown - Coral - Pzims 511

INTERIOR MOLDINGS AND TRIM

Key	Part Number	U/M	Description
	009779-01-000	FT	U-Channel - 1 1/8" - Dark Brown
	009778-01-000	FT	U-Channel - 1" - Dark Brown
	009780-01-000	FT	U-Channel - 1 1/4" - Dark Brown
	009720-01-000	EA	Cover - Roll Bar - White - 85.44"
	023221-01-000	EA	Corner Cover - Rollbar
	034113-02-000	EA	Corner Cover - Support Bar - Brown
	031575-01-000	EA	Cover - Support Bar - Right
	031575-02-000	EA	Cover - Support Bar - Left
	024700-03-000	EA	Cover - Sidewall - Rollbar - White
	022756-01-000	EA	Cover - A/C Heater
	022755-01-000	EA	Cover - Control Panel - Plastic
	034689-01-000	EA	Cover - Screw - 10 PPH - Plastic - White
	009814-06-000	FT	T-Molding - Tan - Butcher Block
	009814-05-000	FT	T-Molding - Brown
	009812-03-000	FT	Molding - Plastic Outside Corner - 50"
	009767-01-000	FT	Wetling - Brown
	018501-01-000	EA	Pocket - Side Panel - Plastic
	039697-01-000	EA	Quarter Panel Asm. - Front - Right Side
	039698-01-000	EA	Quarter Panel Asm. - Front - Left Side

1975 WINNEBAGO TABLE OF CONTENTS

Introduction	A-1
Abbreviations	A-1
Alphabetical Index	A-2 - A-4
D25C	A-5 - B-14
D25CL	B-15 - C-24
D27C	D-1 - E-10
D27CL	E-11 - F-20
D29CURB	F-21 - H-6
D27CU	H-7 - I-18
D27CUL	I-19 - K-6
D25CU	K-7 - L-16

1975 D29CURB INDEX

Floor Plan	F-21 - F-22
Accessories Group	F-23 - F-24
Bath Group	G-1
Chassis Group	G-2
Curtain, Cushion & Pad Group	G-3 - G-5
Dinette Group	G-6
Driver's Compartment Group	G-6 - G-7
Electrical Group	G-8 - G-9
Exterior Body Group	G-10 - G-13
Galley Group	G-14
Heating & Air Conditioning Group	G-15
Interior Finish Group	G-16 - G-17
LP Group	G-18
Lounge Group	G-18
Water & Sewage Group	G-19
Window, Vent & Exterior Door Group	G-20 - G-24
	H-1 - H-6

INTERIOR FINISH GROUP (CONTINUED)

CURTAIN HARDWARE

Key	Part Number	U/M	Description
	052327-04-235	EA	Curtain Track - Brown - 89" - Aluminum Replaces 009168-01-000 - Marine Track
	009107-01-000	EA	Guide - Nylon - For Curtain Track (052327-04-235)
	018031-42-000	EA	Track - Curtain - L Rod - Aluminum - 90"
	009701-01-000	EA	Carrier - w/Rollers - L Rod
	009702-01-000	EA	End Stop - Curtain - L Rod
	020435-01-000	EA	Track - Curtain - Left - Brown
	021495-01-000	EA	Track - Curtain - Right - Front

CABINETRY AND TABLE HARDWARE

Key	Part Number	U/M	Description
	009047-01-000	EA	Holder - Door - Overhead
	009051-01-000	EA	Warp Guard - 48"
	009112-01-000	EA	Flange - 1" Rod - Chrome
	047842-01-000	EA	Kit - Dinette Table Leg
	047809-01-000	EA	Kit - Dinette Table Hardware - Wall Mount
	044559-01-000	EA	Pull Kit Asm. - Drawer
	044560-01-000	EA	Hinge Kit Asm. - Lower Door
	044561-01-000	EA	Hinge Kit Asm. - Upper Door
	044562-01-000	EA	Latch Kit Asm. - Flush - Upper Door
	044563-01-000	EA	Latch Kit Asm. - Flush - Lower Door

MISCELLANEOUS PARTS

Key	Part Number	U/M	Description
	041944-01-700	EA	Extinguisher - Fire - w/Bracket - Dry
	006098-01-000	EA	Mirror - Inside - 1/8" x 9" x 16" - Beveled
	009095-01-000	EA	Mirror - Inside - 1/8" x 12" x 42" - Beveled
	009039-01-000	EA	Clip - Mirror - Plastic - w/Screw
	007021-01-000	EA	Belt Asm. - Seat - 2" x 90" - Black
	007019-01-000	EA	Belt Asm. - Seat - 2" x 84" - Black
	023560-01-000	EA	Bracket - Seat Belt
	024730-01-000	EA	Grille - Plastic - 12.4" x 5.9" - Brown (Furnace Door)
	024985-01-000	EA	Register - Heat - w/Damper - 9 9" x 4 8"
	009169-01-000	EA	Grille - Plastic - 15.7" x 17.1" - Brown (Furnace)

LP GROUP

Key	Part Number	U/M	Description
	015253-01-000	EA	Compartment - LP - Black - Plastic
	003803-01-000	EA	Tank - LP - 40 Pound Vertical
	045703-01-000	EA	Hose Asm. - LP - 3/8" I.D. x 24"
	009815-01-000	EA	Regulator - LP - Automatic
	003820-01-000	EA	Hose Asm. - LP - 1/4" I.D. x 16" - Flexible
	015409-01-000	EA	Strap Asm. - LP Bottle

LOUNGE GROUP

Key	Part Number	U/M	Description
	040601-01-000	EA	Cabinet Asm. - Left Twin Bed
	040633-01-700	EA	Cabinet Asm. - Right Twin Bed w/o Door or Hardware
	040633-01-701	EA	Door Asm. - Twin Bed Cabinet - 13 5/8" x 19 1/8" (Hole Size) w/o Hardware
	040642-01-700	EA	Cabinet Asm. - Twin Bed Overhead - Right w/o Doors or Hardware
	040642-02-700	EA	Cabinet Asm. - Twin Bed Overhead - Left w/o Doors or Hardware
	040642-01-701	EA	Door Asm. - Overhead Cabinet - 19 1/8" x 32" (Hole Size) w/o Hardware

**1975 WINNEBAGO
TABLE OF CONTENTS**

Introduction	A-1
Abbreviations	A-1
Alphabetical Index	A-2 - A-4
D25C	A-5 - B-14
D25CL	B-15 - C-24
D27C	D-1 - E-10
D27CL	E-11 - F-20
D29CURB	F-21 - H-6
D27CU	H-7 - I-18
D27CUL	I-19 - K-6
D25CU	K-7 - L-16

1975 D29CURB INDEX

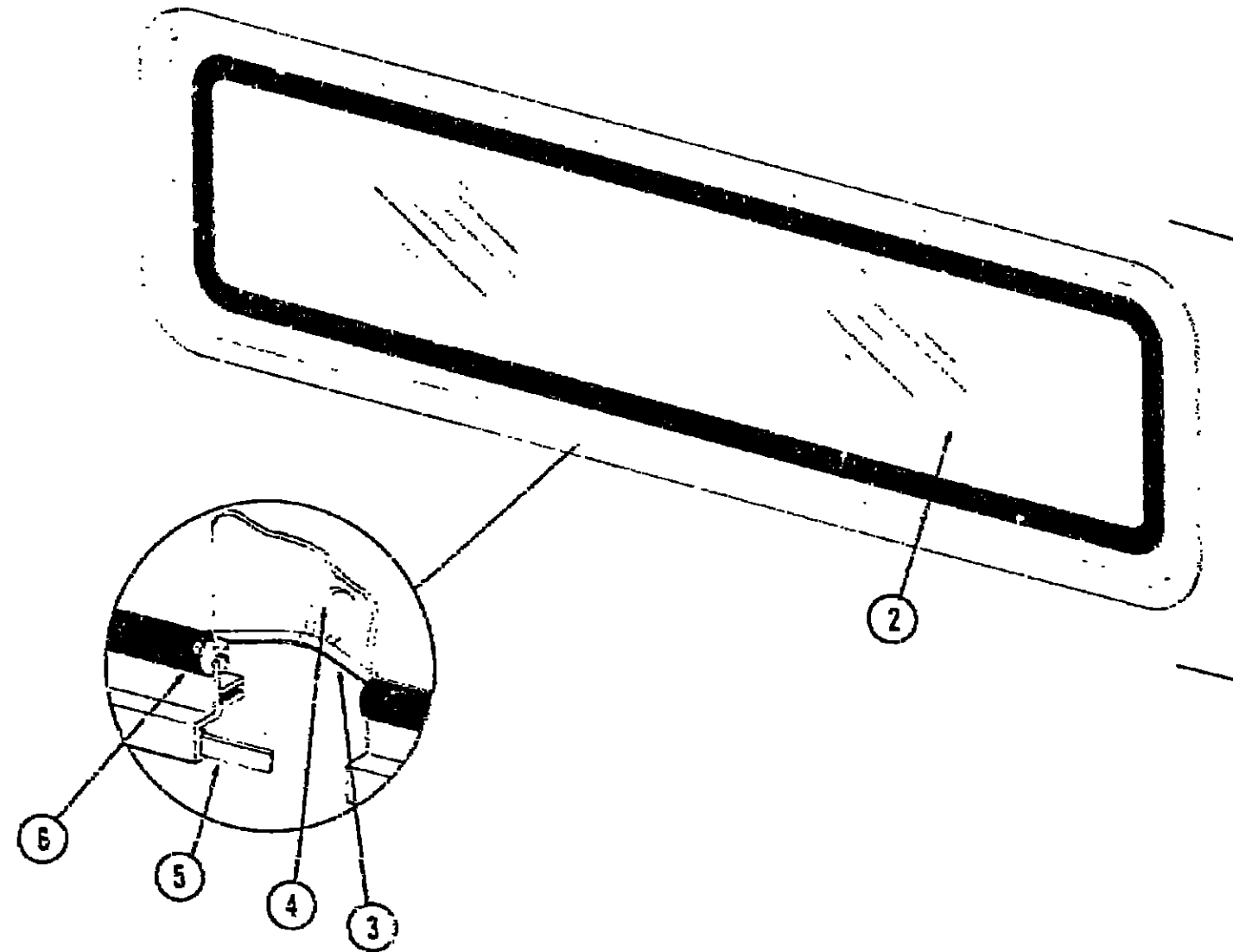
Floor Plan	F-21 - F-22
Accessories Group	F-23 - F-24
Bath Group	G-1
Chassis Group	G-2
Curtain, Cushion & Pad Group	G-3 - G-5
Dinette Group	G-6
Driver's Compartment Group	G-6 - G-7
Electrical Group	G-8 - G-9
Exterior Body Group	G-10 - G-13
Galley Group	G-14
Heating & Air Conditioning Group	G-15
Interior Finish Group	G-16 - G-17
LP Group	G-18
Lounge Group	G-18
Water & Sewage Group	G-19
Window, Vent & Exterior Door Group	G-20 - G-24
	H-1 - H-6

WATER AND SEWAGE GROUP

Key	Part Number	U/M	Description
	010201-01-000	EA	Hose - Sewer - 3" x 10' w/Clamp
	010205-01-000	EA	Valve - Sanitary - Thetford 3 X B
	010234-01-000	EA	Bayonet - Sewer Hose - Plastic
	010235-01-000	EA	Cap - Sewage - 3" Plastic
	010236-01-000	EA	Adaptor - 3" Sewage Hose
	011055-01-000	EA	P-Trap - 1 1/4" Plastic
	011091-01-000	EA	Waste - Continuous - Double Sink - 11 7/8"
	011035-01-000	EA	Spout - Water Fill w/Gauge
	700050-01-000	EA	Gauge - Water Fill Spout
	016724-01-000	EA	Tank Asm. - Water - Galvanized - 25 Gallon
	011024-01-000	EA	Sending Unit - Water Tank - 5 Wire
	034525-01-000	EA	Tank Asm. - Holding - Main w/Fittings - Plastic
	021439-01-000	EA	Tank - Holding - Main w/o Fittings - Plastic
	034560-01-000	EA	Tank Asm. - Holding - Auxiliary w/Fittings - Plastic
	014903-01-000	EA	Tank - Holding - Auxiliary w/o Fittings - Plastic
	046524-01-000	EA	Kit - Fittings - Plastic Holding Tank
	023833-01-000	EA	Compressor - 12 Volt - Air - Water System
	023833-01-700	EA	Switch - Pressure - Air Compressor
	004020-01-000	OT	Cement - ABS - Plastic Pipe Fittings
	039561-01-000	EA	Sending Unit Kit - Holding Tank
**	051391-01-000	EA	Water Heater - Atwood Bowen - G5A2
**	031992-01-000	EA	Water Heater - Atwood Bowen - GHS

** The illustrated parts breakdown for this item is provided on the Common Items Fiche.

WINDOW, VENT AND EXTERIOR DOOR GROUP



Key	Part Number	U/M	Description
1	020754-01-000	EA	Window Asm. - Escape - 23" x 68" - w/o Inside Frame
2	002178-01-000	EA	Glass - 1/8" x 19 61" x 64.50"
3	002285-01-000	FT	Weatherstrip - Filler - Black
4	020395-01-000	EA	Slip Ring - Pull
5	004363-01-000	FT	Tape - Foam - 3/16" x 1/2" - Gray - Inside
6	002282-01-000	FT	Weatherstrip - Window - 125" - Black
*	020753-04-000	EA	Frame - Window - Inside - 23" x 68" - Brown Not Included with Asm.
*	005199-01-000	EA	Label - Exit - Escape Window
*			Not Illustrated

1975 WINNEBAGO TABLE OF CONTENTS

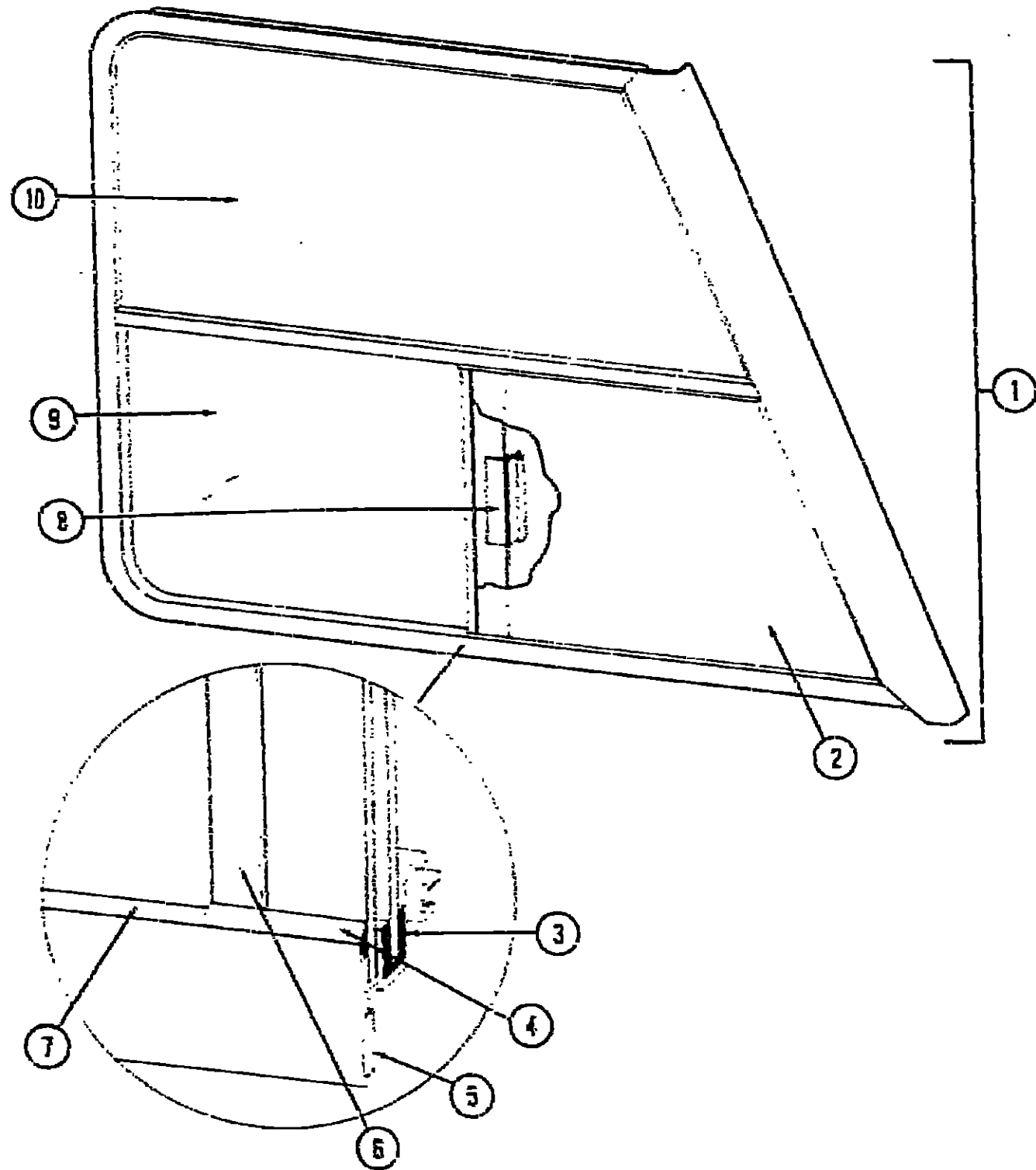
Introduction	A-1
Abbreviations	A-1
Alphabetical Index	A-2 - A-4
D25C	A-5 - B-14
D25CL	B-15 - C-24
D27C	D-1 - E-10
D27CL	E-11 - F-20
D29CURB	F-21 - H-6
D27CU	H-7 - I-18
D27CUL	J-19 - K-6
D25CU	K-7 - L-16

1975 D29CURB INDEX

Floor Plan	F-21 - F-22
Accessories Group	F-23 - F-24
Bath Group	G-1
Chassis Group	G-2
Curtain, Cushion & Pad Group	G-3 - G-5
Dinette Group	G-6
Driver's Compartment Group	G-6 - G-7
Electrical Group	G-8 - G-9
Exterior Body Group	G-10 - G-13
Galley Group	G-14
Heating & Air Conditioning Group	G-15
Interior Finish Group	G-16 - G-17
LP Group	G-18
Lounge Group	G-18
Water & Sewage Group	G-19
Window, Vent & Exterior Door Group	G-20 - G-24
	H-1 - H-6

WINDOW, VENT AND EXTERIOR DOOR GROUP (CONTINUED)

WINDOW, VENT AND EXTERIOR DOOR GROUP (CONTINUED)



Key	Part Number	U/M	Description
1	037570-01-000	EA	Window Asm. - Black - Radius - Right Slanted Slider - w/o Inside Frame
	037570-02-000	EA	Window Asm. - Black - Radius - Left Slanted Slider - w/o Inside Frame
2	037634-01-000	EA	Glass - 13.61" x 21.12" x 14.97"
3	002324-01-000	FT	Channel - Weatherstrip - Glass Run - 1/2" Glass
4	024095-01-000	FT	Seal - Window Channel - Gray
5	024363-01-000	FT	Tape - Foam - 3/16" x 1/2" - Gray
6	018025-03-000	EA	Holder - Glass Seal - Black Anod.
7	002309-02-000	FT	Spline - Glass - 1/8" Black
8	023275-01-000	EA	Latch Asm. - Window
9	037633-01-000	EA	Glass - 13.81" x 18.94" - Sliding
10	037635-01-000	EA	Glass - 13.72" x 31.91" x 25.75"
	037453-01-000	EA	Frame - Inside - Front Slanted Slider - Right
	037453-02-000	EA	Frame - Inside - Front Slanted Slider - Left
	023713-02-000	EA	Cover - Weephole - Plastic - Black
	002293-01-000	SF	Screen - Window - 26" - Gray
			Not Illustrated

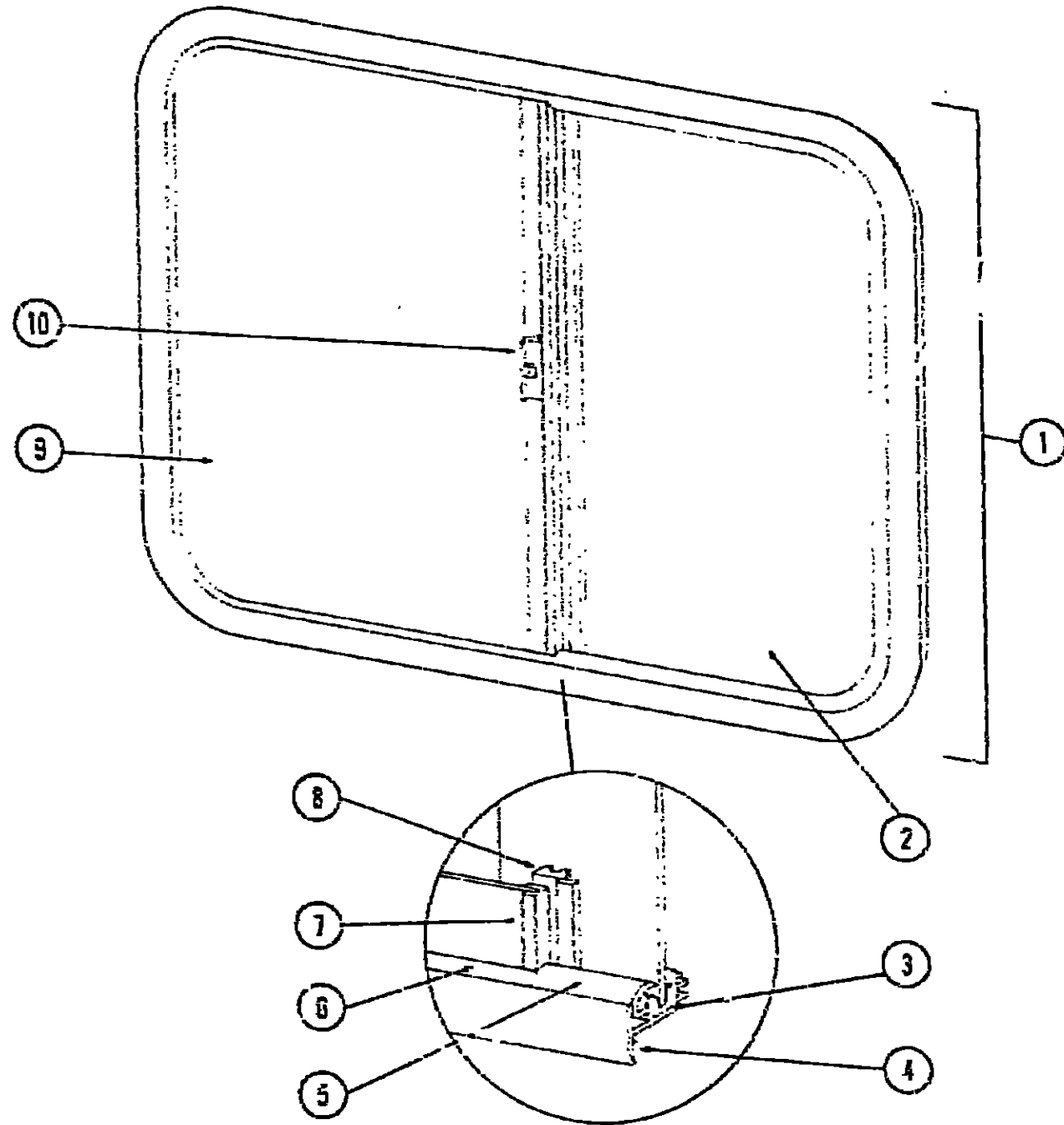
1975 WINNEBAGO
TABLE OF CONTENTS

Introduction	A-1
Abbreviations	A-1
Alphabetical Index	A-2 - A-4
D25C	A-5 - B-14
D25CL	B-15 - C-24
C-27C	D-1 - E-10
D27CL	E-11 - F-20
D29CURB	F-21-H-6
D27CU	H-7 - I-18
D27CUL	I-19 - K-6
D25CU	K-7 - L-16

1975 D29CURB INDEX

Floor Plan	F-21 - F-22
Accessories Group	F-23 - F-24
Bath Group	G-1
Chassis Group	G-2
Curtain, Cushion & Pad Group	G-3 - G-5
Dinette Group	G-6
Driver's Compartment Group	G-6 - G-7
Electrical Group	G-8 - G-9
Exterior Body Group	G-10-G-13
Galley Group	G-14
Heating & Air Conditioning Group	G-15
Interior Finish Group	G-16-G-17
LP Group	G-18
Lounge Group	G-18
Water & Sewage Group	G-19
Window, Vent & Exterior Door Group	G-20-G-24
	H-1 - H-5

Key	Part Number	U/M	Description
1	048631-17-000	EA	Window Asm. - Radius - Left Slider - 25" x 29" Black w/o Inside Frame
2	002157-02-000	EA	Glass - 3/16" x 24" x 21.028" - Sliding w/Holes Used with Aluminum Latch
	047822-01-000	EA	Glass - 3/16" x 24" x 21.028" - Sliding w/Holes Used with Plastic Latch
3	042077-01-000	FT	Channel - Weatherstrip - Glass Run
4	004363-01-000	FT	Tape - Foam - 3/16" x 1/2" - Gray - Inside
5	002283-02-000	FT	Seal - Window Channel - Window w/Aluminum Latch
	041982-01-000	FT	Seal - Window Channel - Window w/Plastic Latch
6	002309-01-000	FT	Spline - Glass - 1/8" - Gray
7	018025-01-000	EA	Holder - Glass Seal - Anod. - Clear
8	018014-05-000	EA	Mullion - Slider Window - Used w/Aluminum Latch
	041894-04-000	EA	Mullion - Slider Window - Used w/Plastic Latch
9	002184-02-000	EA	Glass - 3/16" x 24" x 16.531" - Stationary
10	047359-01-700	EA	Latch Asm. - Plastic
	023275-01-000	EA	Latch Asm. - Aluminum
	042147-09-000	EA	Inside Frame - 25" x 29" - Brown - Window w/Plastic Latch - Not Included in Asm.
	035276-04-000	EA	Inside Frame - 25" x 29" - Brown - Window w/Aluminum Latch - Not Included in Asm.
	023713-02-000	EA	Cover - Weephole - Black - Plastic
	041839-01-000	FT	Tape - Foam - Aluminum Window Latch
	002298-01-000	FT	Spline - Screen - .130" Dia - Gray
	002293-01-000	SF	Screen - Window - 26" - Gray
			Not Illustrated



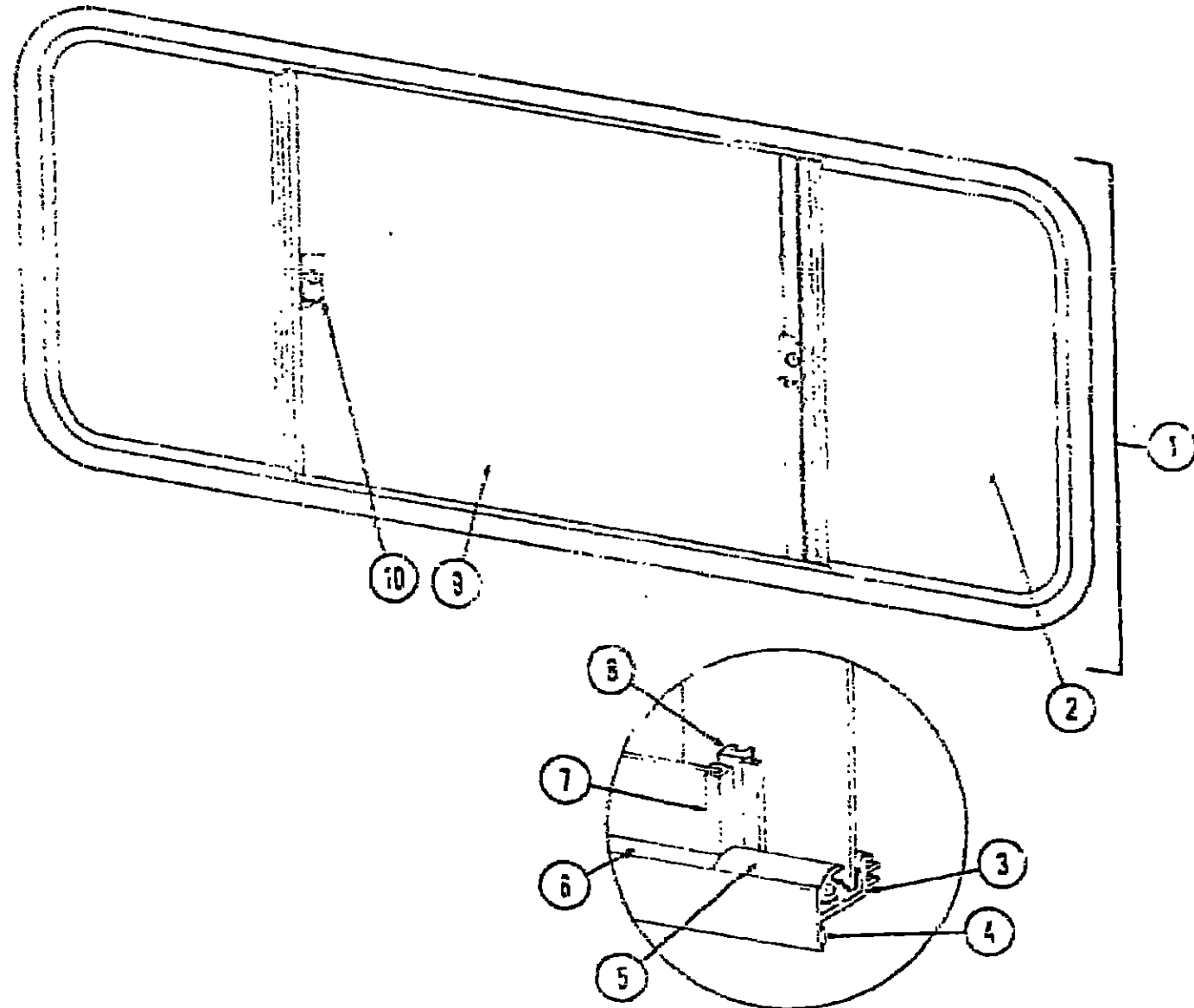
1975 WINNEBAGO
TABLE OF CONTENTS

Introduction	A-1
Abbreviations	A-1
Alphabetical Index	A-2 - A-4
D25C	A-5 - B-14
D25CL	B-15 - C-24
D27C	D-1 - E-10
D27CL	E-11 - F-20
D29CURB	F-21-H-6
D27CU	H-7 - I-18
D27CUL	I-19 - K-6
D25CU	K-7 - L-18

1975 DISCURE INDEX

Floor Plan	F-21 - F-22
Acceler. Aries Group	F-23 - F-24
Bath Group	G-1
Chassis Group	G-2
Curtain, Cushion & Pad Group	G-3 - G-5
Dinette Group	G-6
Driver's Compartment Group	G-6 - G-7
Electrical Group	G-8 - G-9
Exterior Body Group	G-10 - G-13
Galley Group	G-14
Heating & Air Conditioning Group	G-15
Interior Finish Group	G-15 - G-17
LP Group	G-18
Lounge Group	G-18
Water & Sewage Group	G-19
Window, Vent & Exterior Door Group	G-20 - G-24
	H-1 - H-6

WINDOW, VENT AND EXTERIOR DOOR GROUP (CONTINUED)



Key	Part Number	U/M	Description
1	048530-01-000	EA	Window Asm - Double Slider - 25" X 55" - Black Anod w/ Plastic Latch - w/o Inside Frame
2	047822-01-000	EA	Glass - 3/16" x 24" x 21 028" - Sliding w/ Holes (Used w/ Plastic Latch)
	002187-02-000	EA	Glass - 3/16" x 24" x 21 028" - Sliding w/ Holes (Used w/ Aluminum Latch)
3	042077-01-000	FT	Channel - Weatherstrip - Glass Run - 3/16" Glass
4	034353-01-000	FT	Tape - Foam - 3/16" x 1/2" Gray
5	041532-01-000	FT	Seal - Window Channel - 3/16" - Used with Plastic Latch
	002283-02-000	FT	Seal - Window Channel - 3/16" - Used with Aluminum Latch
6	050216-02-000	FT	Spine - Glass - 3/16" - Black
7	002389-03-203	EA	Holder - Glass Seal - Black Anod
8	041634-04-000	EA	Mullion - Slider Window - 25" - Used with Plastic Latch
	018014-05-000	EA	Mullion - Slider Window - Used with Aluminum Latch
9	032188-02-000	EA	Glass - 3/16" x 24" x 25" - Stationary
10	047389-01-700	EA	Latch Asm - Window - Plastic w/ Fastener
	023275-01-000	EA	Latch Asm - Window - Aluminum
	041839-01-000	FT	Tape - Foam - Aluminum Window Latch
	002299-01-000	FT	Spine - Screen - .130" Dia - Gray
	002293-01-000	SF	Screen - Window - 25" - Gray
	023713-02-000	EA	Cover - Weephole - Black - Plastic
	042133-04-000	EA	Frame - Window - Inside - 25" x 65" Used with Plastic Latch
	035277-04-000	EA	Frame - Window - Inside - 25" x 65" Used with Aluminum Latch

WINDOW, VENT AND EXTERIOR DOOR GROUP (CONTINUED)

ACCESS DOORS

Key	Part Number	U/M	Description
	003182-02-000	EA	Door - Water Heater - Beige
	016083-01-000	EA	Door Asm - Power Cord - 9" x 10"
	037804-01-100	EA	Door Asm - Battery - Beige
	037804-02-000	EA	Door Asm - Luggage - Beige
	057805-01-000	EA	Door Asm - LP - Beige
	037807-01-000	EA	Door Asm - Refrigerator - Beige
	041841-01-000	EA	Door Asm - Generator - Beige - Right
	047305-01-000	EA	Lock Asm - Key Type - w/ Clip
	009064-01-000	EA	Hinge - Continuous Aluminum - 2" x 95" Plain
	039834-01-000	EA	Lock Asm - Twist Type - w/ Clip
	009065-01-000	EA	Hinge - Continuous Aluminum - 1 1/2" x 95" - Plain

WINDSHIELD

Key	Part Number	U/M	Description
	042744-01-000	EA	Frame Asm - Windshield w/o Glass
	034975-02-000	EA	Glass - Windshield - Safety Plate w/ Tinted Band - Left or Right
	038866-02-000	EA	Tape - Butyl - .31" x .31" x 160" Long

VENTS

Key	Part Number	U/M	Description
	009407-01-000	EA	Vent Asm - Base - Refrigerator Vent w/o Cover
	039778-01-000	EA	Cover - Plastic - Refrigerator Vent
	049352-02-000	EA	Vent - Stovehood - Outside - Beige (Lensen)

1975 WINNEBAGO TABLE OF CONTENTS

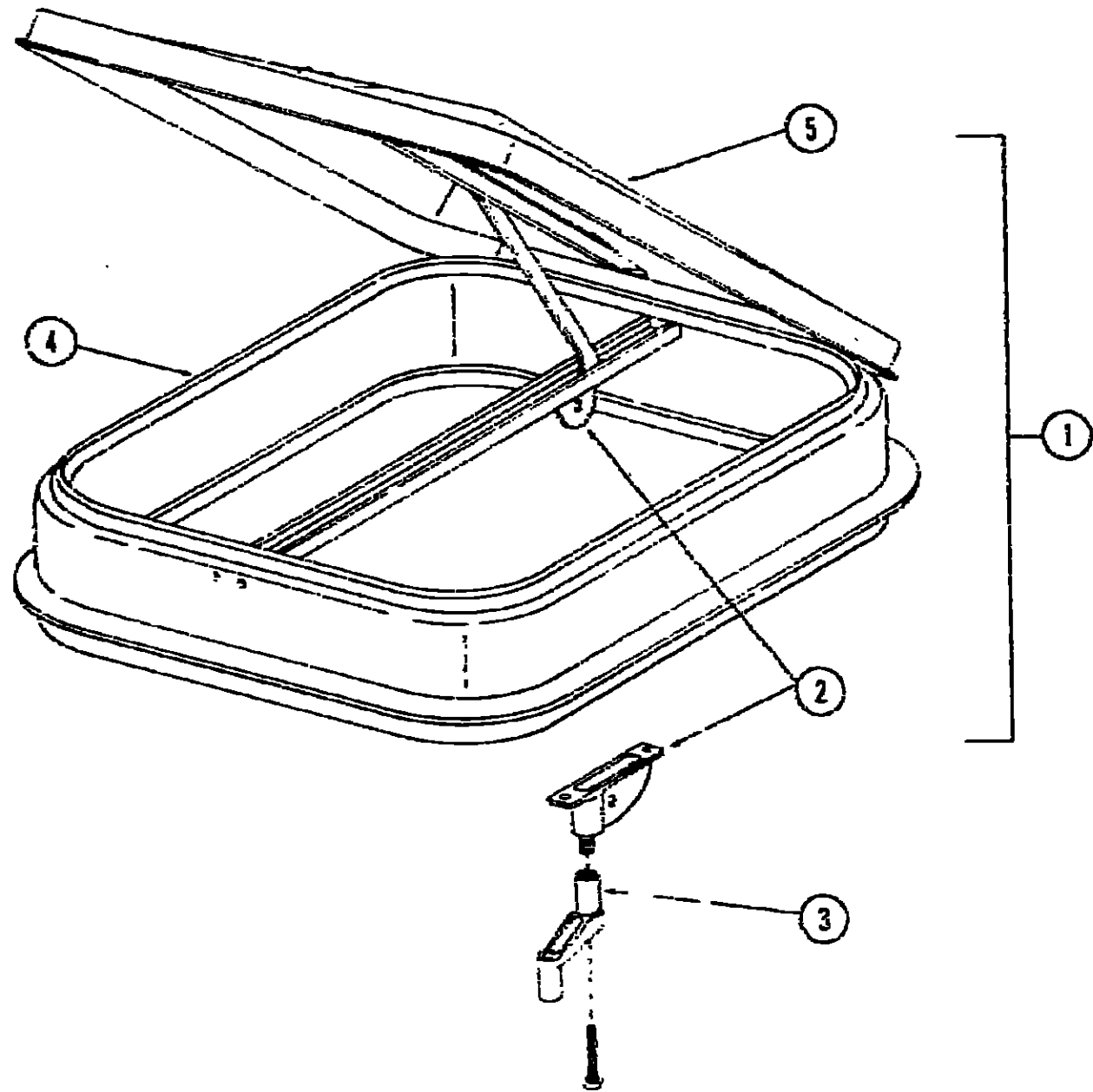
Introduction	A-1
Abbreviations	A-1
Alphabetical Index	A-2 - A-4
D25C	A-5 - B-14
D25CL	B-15 - C-24
D27C	D-1 - E-10
D27CL	E-11 - F-20
D29CURB	F-21 - H-6
D27CU	H-7 - I-18
D27CUL	I-19 - K-6
D25CU	K-7 - L-16

1975 D29CURB INDEX

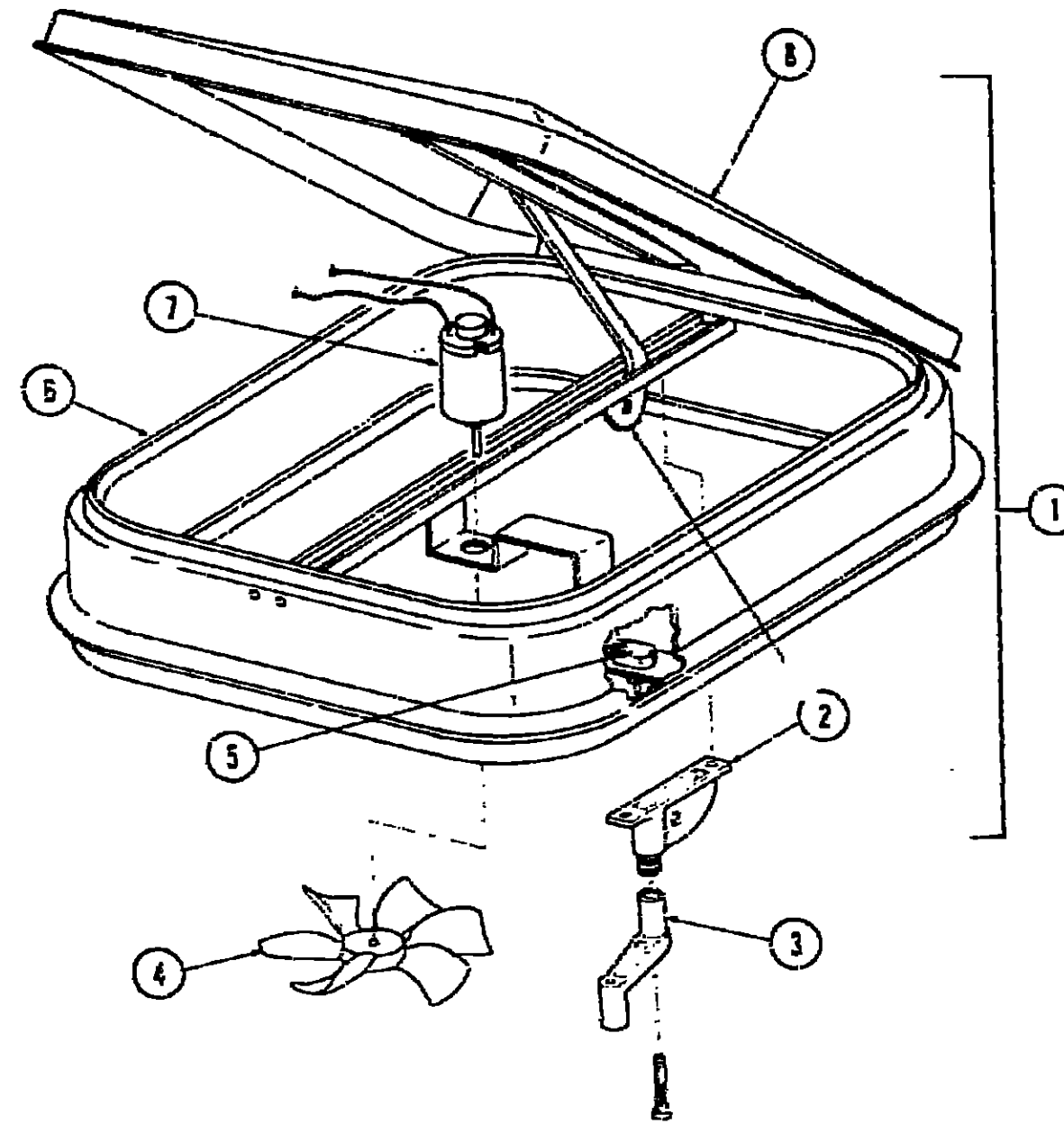
Floor Plan	F-21 - F-22
Accessories Group	F-23 - F-24
Bath Group	G-1
Chassis Group	G-2
Curtain, Cushion & Pad Group	G-3 - G-5
Dinette Group	G-6
Driver's Compartment Group	G-6 - G-7
Electrical Group	G-8 - G-9
Exterior Body Group	G-10 - G-13
Galley Group	G-14
Heating & Air Conditioning Group	G-15
Interior Finish Group	G-16 - G-17
LP Group	G-18
Lounge Group	G-18
Water & Sewage Group	G-19
Window, Vent & Exterior Door Group	G-20 - G-24
	H-1 - H-6

WINDOW, VENT AND EXTERIOR DOOR GROUP (CONTINUED)

WINDOW, VENT AND EXTERIOR DOOR GROUP (CONTINUED)



Key	Part Number	U/M	Description
1	048835-01-000	EA	Vent Asm - Roof - Nonpowered - w/o Screen
2	009440-01-000	EA	Gear - Arm - Roof Vent
3	009439-01-000	EA	Crank - Roof Vent
4	002825-01-000	FT	Weatherstrip - Roof Vent
5	0046825-01-000	EA	Cover - Plastic - Roof Vent
	016335-01-000	EA	Screen Asm. - Nonpowered Roof Vent - Clear Anod (not included in assembly)
	016335-03-000	EA	Screen Asm. - Nonpowered Roof Vent - Beige (not included in assembly)
			Not Illustrated



Key	Part Number	U/M	Description
1	048789-01-000	EA	Vent Asm - Roof - Powered - w/o Screen
2	009440-01-000	EA	Gear - Arm - Roof Vent
3	009439-01-000	EA	Crank - Roof Vent
4	046649-01-000	EA	Fan - Blade - 6" - Plastic
	003442-01-000	EA	Fan - Blade - Aluminum
5	003195-01-000	EA	Switch - Push Button - 12 Volt
6	002825-01-000	FT	Weatherstrip - Roof Vent
7	048648-01-000	EA	Motor - 12 Volt - (Vent w/Plastic Fan)
	009441-01-000	EA	Motor - 12 Volt - (Vent w/Aluminum Fan)
8	046825-01-000	EA	Cover - Plastic - Roof Vent (Vent w/Plastic Fan)
	016335-01-000	EA	Cover - Plastic - Roof Vent (Vent w/Aluminum Fan)
	048895-01-000	EA	Screen Asm. - Powered Roof Vent - Clear Anod Vent w/Plastic Fan (not included in assembly)
	016337-01-000	EA	Screen Asm. - Powered Roof Vent - Clear Anod Vent w/Aluminum Fan (not included in assembly)
			Not Illustrated

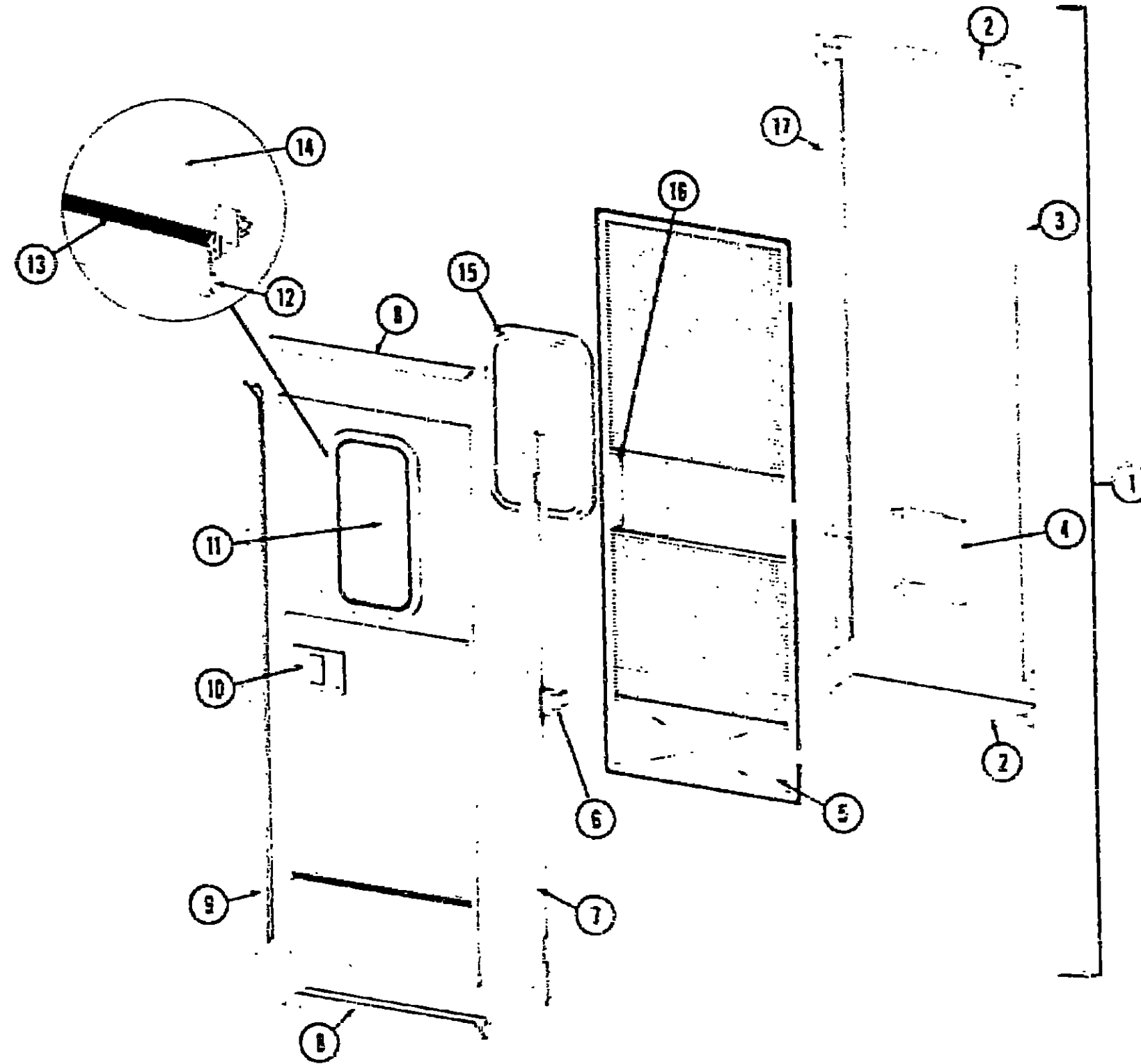
1975 WINNEBAGO
TABLE OF CONTENTS

Introduction	A-1
Abbreviations	A-1
Alphabetical Index	A-2 - A-4
D25C	A-5 - B-14
D25CL	B-15 - C-24
D27C	D-1 - E-10
D27CL	E-11 - F-20
D29CURB	F-21-H-5
D27CU	H-7 - I-18
D27CUL	I-19 - K-6
D25CU	K-7 - L-16

1975 D29CURB INDEX

Floor Plan	F-21 - F-22
Accessories Group	F-23 - F-24
Bath Group	G-1
Chassis Group	G-2
Curtain, Cushion & Pad Group	G-3 - G-5
Dinette Group	G-6
Driver's Compartment Group	G-6 - G-7
Electrical Group	G-8 - G-9
Exterior Body Group	G-10 - G-13
Galley Group	G-14
Heating & Air Conditioning Group	G-15
Interior Finish Group	G-16 - G-17
LP Group	G-18
Lounge Group	G-18
Water & Sewage Group	G-19
Window, Vent & Exterior Door Group	G-20 - G-24
	H-1 - H-6

WINDOW, VENT AND EXTERIOR DOOR GROUP (CONTINUED)



Key	Part Number	U/M	Description
1	031175-05-000	EA	Door Asm - Entry - Custom
2	023013-02-000	EA	Jamb - Entry Door - Upper and Lower
3	023012-02-000	EA	Jamb - Entry Door - Right
4	015580-01-000	EA	Slider - Screen Door - Plastic
5	016874-01-000	EA	Door Asm. - Screen
6	024650-01-000	EA	Hinge - Entry Door - Screen Door
7	038689-01-000	EA	Frame - Entry Door - Right
8	017378-02-000	EA	Frame - Entry Door - Upper and Lower
9	031185-02-000	EA	Frame - Entry Door - Left
10	024094-01-000	EA	Latch - Entry Door - Hartwell

H-5

Key	Part Number	U/M	Description
11	041875-04-000	EA	Window Asm - Picture - 13" x 25"
12	004363-01-000	FT	Tape - Foam - 3/16" x 1/2" - Grey
13	002309-02-000	FT	Spline - Glass - 1/8" - Black
14	002181-02-000	EA	Glass - 3-16" x 12" x 24" - Gray
15	041696-04-000	EA	Frame - Window - Inside - 13" x 25" Not Included w/Window Asm - Z-Style
	017753-03-000	EA	Frame - Window - Inside - 13" x 25" Not Included w/Window Asm - T-Style
16	015581-01-000	EA	Cap - Screen Door - Plastic
17	023011-02-000	EA	Jamb - Entry Door - Left

1975 WINNEBAGO
TABLE OF CONTENTS

Introduction	A-1
Abbreviations	A-1
Alphabetical Index	A-2 - A-4
D25C	A-5 - B-14
D25CL	B-15 - C-24
D27C	D-1 - E-10
D27CL	E-11 - F-20
D29CURB	F-21 - H-6
D27CU	H-7 - I-18
D27CUL	I-19 - K-6
D25CU	K-7 - L-18

1975 D29CURB INDEX

Floor Plan	F-21 - F-22
Accessories Group	F-23 - F-24
Bath Group	G-1
Chassis Group	G-2
Curtain, Cushion & Pad Group	G-3 - G-5
Dinette Group	G-6
Driver's Compartment Group	G-6 - G-7
Electrical Group	G-8 - G-9
Exterior Body Group	G-10 - G-13
Galley Group	G-14
Heating & Air Conditioning Group	C-15
Interior Finish Group	G-16 - G-17
LP Group	G-18
Lounge Group	G-18
Water & Sewage Group	G-19
Window, Vent & Exterior Door Group	G-20 - G-24
	H-1 - H-6

H-6