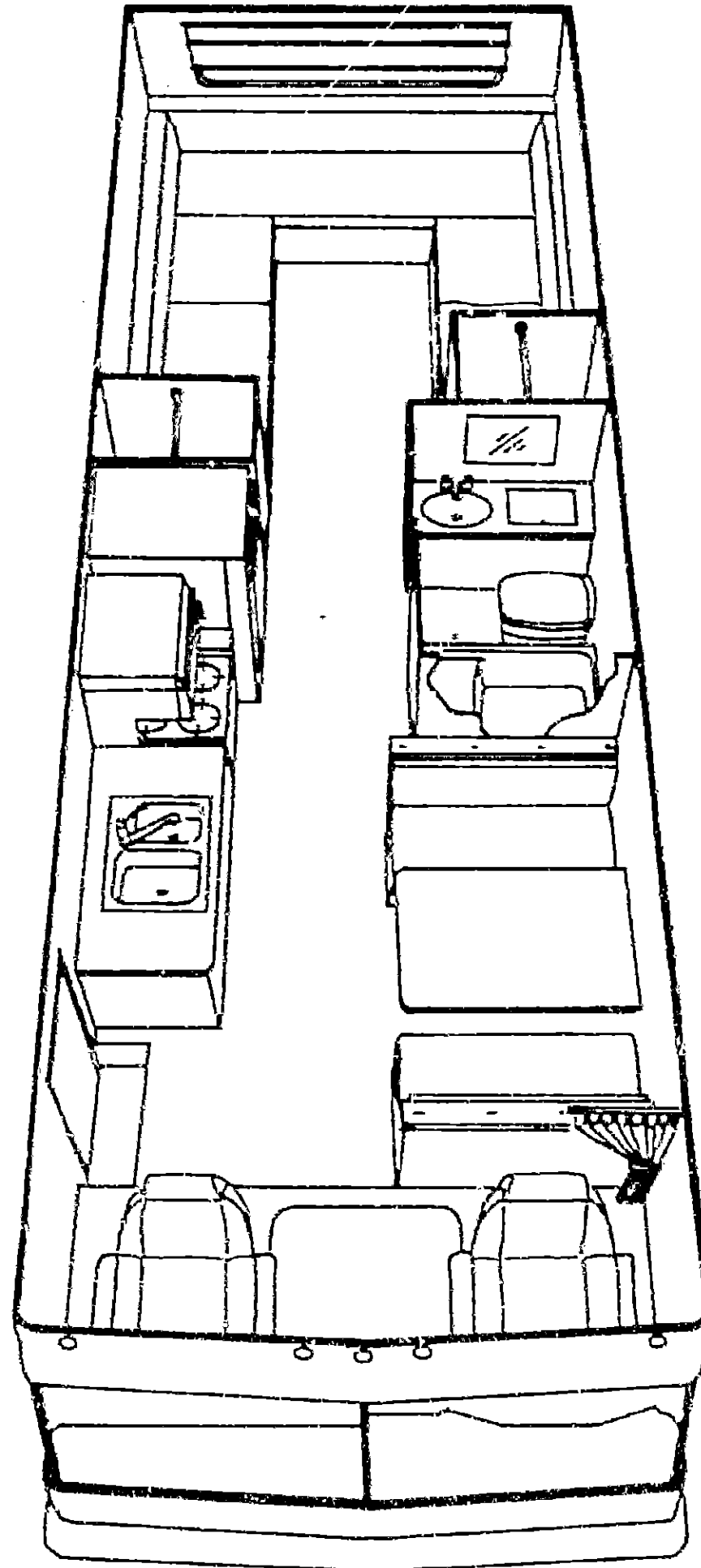


1975 D27CUL



1975 WINNEBAGO TABLE OF CONTENTS

Introduction	A-1
Abbreviations	A-1
Alphabetical Index	A-2 - A-4
D25C	A-5 - B-14
D25CL	B-15 - C-24
D27C	D-1 - E-10
D27CL	E-11 - F-20
D29CURB	F-21-H-6
D27CU	H-7 - I-18
D27CUL	I-19 - K-8
D25CU	K-7 - L-16

1975 D27CUL INDEX

Floor Plan	I-19 - I-20
Accessories Group	I-21 - I-22
Bath Group	I-23
Chassis Group	I-23 - I-24
Curtain, Cushion & Pad Group	J-1 - J-4
Dinette Group	J-5
Driver's Compartment Group	J-5 - J-6
Electrical Group	J-7 - J-8
Exterior Body Group	J-9 - J-12
Galley Group	J-13
Heating & Air Conditioning Group	J-14
Interior Finish Group	J-15 - J-16
LP Group	J-17
Lounge Group	J-17
Water & Sewage Group	J-18
Window, Vent & Exterior Door Group	J-19 - K-6

ACCESSORIES GROUP

RADIOS AND RELATED COMPONENTS

Key	Part Number	U/M	Description
	031105-01-000	EA	Antenna - Radio - Side Mount
	031105-01-700	EA	Clip - Retaining - Side Mount Antenna
	039979-01-000	EA	Kit - Radio Speaker - 5 1/4" w/ Cover
	049730-01-000	EA	Radio - AM w/Fader - Clarion
	049731-01-000	EA	Radio - AM/FM/MXP - w/Fader - Clarion
	049732-01-000	EA	Radio - AM/FM/MXP - 3 Track - w/Fader - Clarion
	048146-01-000	EA	Radio - CB Messenger 123A - Johnson
	048153-01-000	EA	Antenna - CB - Camper Style

SPEED CONTROL AND COMPONENTS

Key	Part Number	U/M	Description
	024745-01-000	EA	Speed Control Package - 440 C.I.D. Dodge - Lever Type - A-Body
	037255-01-000	EA	Regulator Asm.
	024746-01-701	EA	Servo Asm.
	024746-01-702	EA	Switch - Engage Lever
	037255-01-703	EA	Cable Asm. - Transmission - 42"
	037255-01-704	EA	Switch Asm. - Decelerate
	024746-01-700	EA	Relay - Speed Control

GENERATORS AND INSTALLATION KITS

Key	Part Number	U/M	Description
	007051-01-000	EA	Generator - Onan - 4000Watt CCK - w/ Mounting Bolts and Rubber Feet
	007059-01-000	EA	Generator - Onan - 5000Watt CCK - w/ Mounting Bolts and Rubber Feet
	039237-01-000	EA	Kit - 4000, 5000 Onan Installation w/o Bolt Package and Rubber Feet
	007290-01-000	EA	Tailpipe - Generator Exhaust - 1.62" x 17"
	024732-01-004	EA	Steel Tubing - 1 1/2" J.D. - 16 Gauge x 34"
	007292-01-000	EA	Muffler - Generator
	007131-01-000	EA	Hanger - Tailpipe
	007125-01-000	EA	Clamp - Asm. Muffler - 1.32" Dia.
	007125-03-000	EA	Clamp - Asm. Muffler - 1.50" Dia.
	042865-01-000	EA	Scoop - Generator Air
	007067-01-000	SF	Insulation - Fiberglass - 1"
	007059-02-000	EA	Bolt Package
	007059-03-000	EA	Foot - Rubber - Generator Mounting
	031035-01-000	EA	Gauge - Hourmeter
	024976-01-000	EA	Switch - Generator - w/o Circuit Board
	045226-01-000	EA	Tray - Sliding - Generator
	007125-07-000	EA	Clamp Asm. - Muffler - 2.50" Dia.

ACCESSORIES GROUP (CONTINUED)

FRONT BUNK, CABINET AND HARDWARE

Key	Part Number	U/M	Description
	031471-03-700	EA	Cabinet Asm. - Glide Away - Overhead
	031471-03-701	EA	Door - Sliding - Glide Away - Overhead
	009148-01-000	EA	Fingerpull
	009785-01-000	FT	Track - Sliding Door - Upper - Plastic
	009786-01-000	FT	Track - Sliding Door - Lower - Plastic
	017641-01-000	EA	Stabilizer Asm. - Bunk
	040971-01-000	EA	Support - Bunk - Overhead Seatbelt
	022540-01-000	EA	Support Asm. - Bunk Strap - 20"
	006076-01-000	EA	Ladder - Bunk - 66" - Aluminum
	042953-01-000	EA	Support Asm. - Left and Right - Overhead Bunk
	039920-01-000	EA	Bunk Board Asm.

MISCELLANEOUS ACCESSORIES

Key	Part Number	U/M	Description
	044148-01-000	EA	TV - Color - 13" Sharp
	006093-01-000	EA	Jack - TV - Brown
	036053-01-000	EA	Antenna - TV - Braun's Delux
	031450-01-000	EA	Vacuum - Wall Mount w/Attachments
	700108-02-000	EA	Vacuum Bags (Used with 031450-01-000)
	035420-01-000	EA	Fan - Defroster
	041944-01-700	EA	Fire Extinguisher w/Bracket
	033851-01-000	EA	Rack - Magazine
	007035-01-000	EA	Ladder Asm. - w/ Luggage Rack - Square
	007035-02-000	EA	Pads, Caps, Blocks for Square Rack
	007035-03-000	EA	Ladder Asm. - Square
	036685-01-000	EA	Ladder Asm. - w/ Luggage Rack - Round
	036685-02-000	EA	Ladder Asm. - Round
	023766-01-000	EA	Mud Flap
	022534-01-000	EA	Guard Asm. - Bumper Front Right
	007258-01-000	EA	Guard Asm. - Bumper Front Left
	006113-01-000	EA	Guard - Bumper - Chrome (Rear)
	006091-01-000	EA	Jack - Hydraulic - 5 Ton
	006060-01-000	EA	Tray - Cutlery - Gold
	006050-02-000	EA	Purification System - Everpure
	042553-01-000	EA	Cartridge - Replacement - Everpure
	049547-01-000	EA	Oven - Microwave - Winnebago (by Panasonic)
	049346-01-000	EA	Mirror Head - 7 1/2" x 10 1/2" - Stainless Steel
	049944-01-000	EA	Arm - Low Mount Mirror - Bright Finish
		EA	Bracket - Mirror - Outside - Barge

1975 WINNEBAGO TABLE OF CONTENTS

Introduction	A-1
Abbreviations	A-1
Alphabetical Index	A-2 - A-4
D25C	A-5 - B-14
D25CL	B-15 - C-24
D27C	D-1 - E-10
D27CL	E-11 - F-20
D29CULRB	F-21 - H-6
D27CU	H-7 - I-18
D27CUL	I-19 - K-6
D25CU	K-7 - L-16

1975 D27CUL INDEX

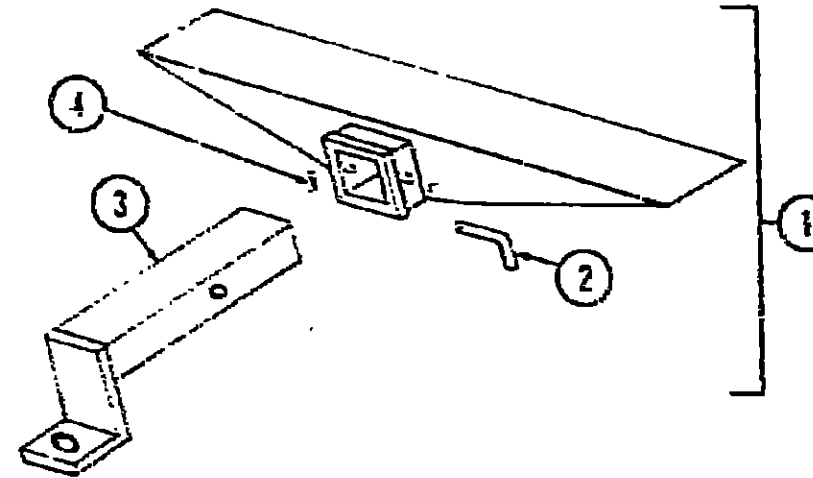
Floor Plan	I-19 - I-20
Accessories Group	I-21 - I-22
Bath Group	I-23
Chassis Group	I-23 - I-24
Curtain, Cushion & Pad Group	J-1 - J-4
Dinette Group	J-5
Driver's Compartment Group	J-5 - J-6
Electrical Group	J-7 - J-8
Exterior Body Group	J-9 - J-12
Galley Group	J-13
Heating & Air Conditioning Group	J-14
Interior Finish Group	J-15 - J-16
LP Group	J-17
Lounge Group	J-17
Water & Sewage Group	J-18
Window, Vent & Exterior Door Group	J-19 - K-6

BATH GROUP

Key	Part Number	U/M	Description
	039397-01-700	EA	Door Asm. - Bathroom - 18" x 57 5/8" w/o Hardware
	039404-01-700	EA	Cabinet Asm. - Vanity w/o Sink, Top, Drawers, Door or Hardware
	039404-01-701	EA	Door Asm. - Vanity Cabinet - 10" x 28 1/2" w/o Hardware
	039404-01-702	EA	Drawer Asm. - Vanity Cabinet - 6 3/8" x 16 3/4" w/o Hardware
	039423-01-700	EA	Cabinet Asm. - Overhead Medicine w/o Door or Hardware
	039423-01-701	EA	Door Asm. - Medicine Cabinet - 6 1/2" x 29 3/8" w/o Hardware
	024769-01-000	EA	Bathtub Asm. - w/o Drain or Faucet
	011056-01-000	EA	Faucet - Lavatory - Chrome
	031559-01-000	EA	Faucet - Tub and Shower
	011043-01-000	EA	Plug - Drain - 1 5/8"
	011066-01-000	EA	Strainer - Shower Pan
	011069-01-000	EA	Tailpiece - 1 1/4" x 4" - Brass
	011048-01-000	EA	Shower Head w/50" Hose
	024995-01-000	EA	Lavatory Top - White Plastic w/o Faucet or Storage Bin Cover
	024991-01-000	EA	Cover - Storage Bin - Lavatory Top - White Plastic
**	033327-01-000	EA	Toilet - Electra Magic w/o Seat and Lid
**	033341-01-000	EA	Toilet - Aqua Magic Model SH - White - w/o Seat and Lid

** The illustrated parts breakdown for this item is provided on the Common Items Fiche.

CHASSIS GROUP (CONTINUED)



Key	Part Number	U/M	Description
1	023595-01-700	EA	Hitch Asm. - Trailer
2	034512-01-000	EA	Locking Pin - Drawbar
3	024976-01-000	EA	Drawbar Asm. - Trailer Hitch
4	034513-01-000	EA	Hitch Pin - 3/16" - Wire

1975 WINNEBAGO TABLE OF CONTENTS

Introduction	A-1
Abbreviations	A-1
Alphabetical Index	A-2 - A-4
D25C	A-5 - B-14
D25CL	B-15 - C-24
D27C	D-1 - E-10
D27CL	E-11 - F-20
D29CURB	F-21-H-6
D27CU	H-7 - I-16
D27CUL	I-19 - K-6
D25CU	K-7 - L-16

CHASSIS GROUP

Key	Part Number	U/M	Description
	007263-01-000	EA	Bumper - Center Section Front - Chrome
	007265-01-000	EA	Bumper - Outer Section Front - Right or Left - Chrome
	023496-01-000	EA	Bracket - Bumper - Front
	023520-04-000	EA	Bar Bumper - Black - Right or Left
	024794-01-000	EA	Guard Asm. - Front Bumper - Right
	022515-01-000	EA	Guard Asm. - Front Bumper - Left
	021518-01-000	EA	Bumper - Center Section - Rear - Chrome
	007265-01-000	EA	Bumper - Outer Section Rear - Chrome
	022531-01-000	EA	Bumper - Slotted Rear - Reinforcement
	007266-01-000	EA	Guard - Bumper - Chrome - Rear
	038459-01-000	EA	Tank - Auxiliary - 22.9 Gallon
	038460-01-000	EA	Sending Unit - Fuel 78 OHM
	024511-02-000	EA	Cap - Gas Pressure - 1.5" - Chrome
	024591-02-000	EA	Fill - Gas - w/Vent - 4.5" Long
	024139-01-000	FT	Hose - Fuel - 5/16" I. D.
	007111-01-000	FT	Hose - Fuel - 2 1/4" I. D.
	007249-01-000	EA	Tailpipe - Curved - 2 1/2" x 58"
	046953-01-000	EA	Hanger - Tailpipe
	007269-01-000	EA	Bracket - License
	033336-02-029	EA	Tie Down - Battery - Steel
	020275-01-000	EA	Bracket - Tie Down - Short Battery Box
	021276-01-000	EA	Tray - Battery - Steel
	037458-01-000	EA	Hoodboard - Steel - Right
	037458-02-000	EA	Hoodboard - Steel - Left

1975 D27CUL INDEX

Floor Plan	I-19 - I-20
Accessories Group	I-21 - I-22
Bath Group	I-23
Chassis Group	I-23 - I-24
Curtain, Cushion & Pad Group	J-1 - J-4
Dinette Group	J-5
Driver's Compartment Group	J-5 - J-6
Electrical Group	J-7 - J-8
Exterior Body Group	J-9 - J-12
Galley Group	J-13
Heating & Air Conditioning Group	J-14
Interior Finish Group	J-15 - J-16
LP Group	J-17
Lounge Group	J-17
Water & Sewage Group	J-18
Window, Vent & Exterior Door Group	J-19 - K-6

CURTAIN, CUSHION AND PAD GROUP

CURTAINS AND SHADES

Key	Part Number	U/M	Description
	031816-01-000	EA	Shade - Window - 27" x 38" Long - Off White
	031816-09-000	EA	Shade - Window - 31 1/2" x 30" Long - Off White
	041143-71-000	EA	Curtain - Overdrape - Right - 27" x 33" - Olive
	041143-72-000	EA	Curtain - Overdrape - Right - 27" x 33" - Gold
	041144-71-000	EA	Curtain - Overdrape - Left - 27" x 33" - Olive
	041144-72-000	EA	Curtain - Overdrape - Left - 27" x 33" - Gold
	041143-73-000	EA	Curtain - Overdrape - Right - 27" x 45" - Olive
	041143-74-000	EA	Curtain - Overdrape - Right - 27" x 45" - Gold
	041144-73-000	EA	Curtain - Overdrape - Left - 27" x 45" - Olive
	041144-74-000	EA	Curtain - Overdrape - Left - 27" x 45" - Gold
	040406-35-000	EA	Curtain - Underdrape - Left or Right - 25 1/2" x 33" - Ivory
	040406-36-000	EA	Curtain - Underdrape - Left or Right - 25 1/2" x 45" - Ivory
	041243-03-000	EA	Curtain - Wraparound - Right - 30" x 104" - Brown
	041244-03-000	EA	Curtain - Wraparound - Left - 30" x 104" - Brown
	033311-09-000	EA	Curtain - Blackout - 32" x 95" - Antique Brown Vinyl
	033311-08-000	EA	Curtain - Blackout - 36" x 95" - Antique Brown Vinyl
	033315-34-000	EA	Curtain - Aisle Divider - (2 Pieces) Brown

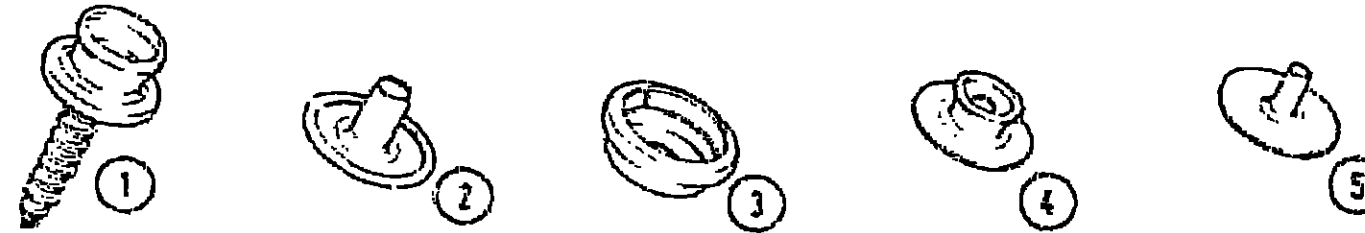
TIE BACKS AND VALANCES

Key	Part Number	U/M	Description
	031843-26-000	EA	Tie Back - Curtain - 18" - Olive
	031843-27-000	EA	Tie Back - Curtain - 18" - Gold
	031843-24-000	EA	Tie Back - Curtain - 18" - Brown
	031843-03-000	EA	Tie Back - Curtain - 18" - Brown Vinyl
	038328-54-000	EA	Valance - 6" x 92" - Olive
	038328-55-000	EA	Valance - 6" x 92" - Gold
	038328-51-000	EA	Valance - 6" x 45" - Olive
	038328-52-000	EA	Valance - 6" x 45" - Gold

CURTAIN HARDWARE

Key	Part Number	U/M	Description
	044089-02-000	EA	Track - Curtain - Wraparound - "L" Rod Aluminum - Right
	044090-02-000	EA	Track - Curtain - Wraparound - "L" Rod Aluminum - Left
	018031-42-000	EA	Track - Curtain - "L" Rod Aluminum - 89"
	009701-01-000	EA	Carrier - Curtain - "L" Rod w/ Rollers
	009702-01-000	EA	End Stop - Curtain Track - "L" Rod
	052327-04-200	EA	Track - Curtain - Aluminum - 89" - Brown (Replaces 009108-01-000 Marine Track)
	009107-01-000	EA	Carrier - Snap - Curtain
	009220-01-000	EA	Rod - Curtain - Flat - Extends 18" - 28"
	009223-01-000	EA	Rod - Curtain - Flat - Extends 32" - 51"
	009223-02-000	EA	Rod - Curtain - Flat - Extends 48" x 84"
	009217-01-000	EA	Bracket - Curtain Rod - Left and Right

CURTAIN, CUSHION AND PAD GROUP (CONTINUED)



Key	Part Number	U/M	Description
1	029130-01-000	EA	Socket - Snap Fastener - 7 x 5.8" (Tie Backs)
2	029155-01-000	EA	Cap - Snap - .155" Dia. x 17" Barrel (Tie Backs)
3	029156-01-000	EA	Socket - Snap Fastener (Tie Backs)
4	029092-01-000	EA	Stud - Nickel Finish (Curtains)
5	029093-01-000	EA	Eyelet - Nickel Finish (Curtains)

DINETTE CUSHIONS

Key	Part Number	U/M	Description
	039931-23-000	EA	Cushion - Dinette Back - Wraparound Style w/Welld Ends - 14 1/4" x 36" x 5" - Olive
	039931-24-000	EA	Cushion - Dinette Back - Wraparound Style w/Welld Ends - 14 1/4" x 38" x 5" - Gold
	039931-23-023	EA	Cover - Cushion - Dinette Back - Wraparound Style w/Welld Ends - 14 1/4" x 38" x 5" - Olive
	039931-24-024	EA	Cover - Cushion - Dinette Back - Wraparound Style w/Welld Ends - 14 1/4" x 38" x 5" - Gold
	039931-25-000	EA	Cushion - Dinette Bottom - Wraparound Style w/Welld Ends - 21 3/4" x 38" x 5" - Olive
	039931-26-000	EA	Cushion - Dinette Bottom - Wraparound Style w/Welld Ends - 21 3/4" x 38" x 5" - Gold
	039931-25-025	EA	Cover - Cushion - Dinette Bottom - Wraparound Style w/Welld Ends - 21 3/4" x 38" x 5" - Olive
	039931-26-026	EA	Cover - Cushion - Dinette Bottom - Wraparound Style w/Welld Ends - 21 3/4" x 38" x 5" - Gold

MATTRESSES

Key	Part Number	U/M	Description
	031503-26-000	EA	Mattress - Flexsteel Bunk - 42" x 79" x 4" - Olive
	031503-27-000	EA	Mattress - Flexsteel Bunk - 42" x 79" x 4" - Gold
	031503-33-000	EA	Mattress - Flexsteel Bunk - 41" x 77" x 4" - Olive
	031503-34-000	EA	Mattress - Flexsteel Bunk - 41" x 77" x 4" - Gold

1975 WINNEBAGO TABLE OF CONTENTS

Introduction	A-1
Abbreviations	A-1
Alphabetical Index	A-2 - A-4
D25C	A-5 - B-14
D25CL	B-15 - C-24
D27C	D-1 - E-10
D27CL	E-11 - F-20
D29CURB	F-21-H-6
D27CU	H-7 - I-18
D27CUL	I-19 - K-6
D25CU	K-7 - L-16

1975 D27CUL INDEX

Floor Plan	I-19 - I-20
Accessories Group	I-21 - I-22
Bath Group	I-23
Chassis Group	I-23 - I-24
Curtain, Cushion & Pad Group	J-1 - J-4
Dinette Group	J-5
Driver's Compartment Group	J-5 - J-6
Electrical Group	J-7 - J-8
Exterior Body Group	J-9 - J-12
Galley Group	J-13
Heating & Air Conditioning Group	J-14
Interior Finish Group	J-15 - J-16
LP Group	J-17
Lounge Group	J-17
Water & Sewage Group	J-18
Window, Vent & Exterior Door Group	J-19 - K-6

CURTAIN, CUSHION AND PAD GROUP (CONTINUED)

LOUNGE CUSHIONS

Key	Part Number	U/M	Description
	031515-16-001	EA	Gaucha - Seng - 85" Back Only - Olive
	031515-17-031	EA	Gaucha - Seng - 86" Back Only - Gold
	031515-16-002	EA	Gaucha - Seng - 85" Bottom Only - Olive
	031515-17-002	EA	Gaucha - Seng - 85" Bottom Only - Gold
	039931-27-000	EA	Cushion - Wraparound Style w/Welted Ends 21 1/2" x 26" x 6" - Olive
	039931-26-000	EA	Cushion - Wraparound Style w/Welted Ends 21 1/2" x 26" x 6" - Gold
	039931-27-027	EA	Cover - Cushion - Wraparound Style w/Welted Ends 21 1/2" x 26" x 6" - Olive
	039931-28-028	EA	Cover - Cushion - Wraparound Style w/Welted Ends 21 1/2" x 26" x 6" - Gold
	039931-29-000	EA	Cushion - Wraparound Style w/Welted Ends 21 1/2" x 29" x 6" - Olive
	039931-29-000	EA	Cushion - Wraparound Style w/Welted Ends 21 1/2" x 29" x 6" - Gold
	039931-29-029	EA	Cover - Cushion - Wraparound Style w/Welted Ends 21 1/2" x 29" x 6" - Olive
	039931-30-030	EA	Cover - Cushion - Wraparound Style w/Welted Ends 21 1/2" x 29" x 6" - Gold
	038478-09-000	EA	Cushion - Bolster - 9 1/2" x 20" - Round - Olive
	038478-10-000	EA	Cushion - Bolster - 9 1/2" x 20" - Round - Gold
	038478-09-009	EA	Cover - Cushion - Bolster - 9 1/2" x 20" - Round - Olive
	038478-10-010	EA	Cover - Cushion - Bolster - 9 1/2" x 20" - Round - Gold
	039693-07-000	EA	Bedsprad (For Sealy Mattress) Olive
	039693-08-000	EA	Bedsprad (For Sealy Mattress) Gold

BUCKET SEATS

Key	Part Number	U/M	Description
	033897-03-000	EA	Seat Asm - Single Bucket w/o Slides, Armrests or Headrests w/Skirt - Olive
	033897-03-000	EA	Seat Asm - Single Bucket w/o Slides, Armrests or Headrest w/Skirt - Gold
	033975-07-000	EA	Cover - Single Bucket Seat - Back - Olive
	033975-08-000	EA	Cover - Single Bucket Seat - Back - Gold
	033977-07-000	EA	Cover - Single Bucket Seat - Bottom - Olive
	033977-08-000	EA	Cover - Single Bucket Seat - Bottom - Gold
	033902-03-000	EA	Seat Asm - Double Bucket w/o Armrests or Headrests w/Skirt - Olive
	033902-03-000	EA	Seat Asm - Double Bucket w/o Armrests or Headrests w/Skirt - Gold
	033983-07-000	EA	Cover - Double Bucket Seat - Back - Olive
	033983-08-000	EA	Cover - Double Bucket Seat - Back - Gold
	033984-07-000	EA	Cover - Double Bucket Seat - Bottom - Olive
	033984-08-000	EA	Cover - Double Bucket Seat - Bottom - Gold
	038645-04-000	EA	Skirt - Single Bucket Seat - Olive
	038645-05-000	EA	Skirt - Single Bucket Seat - Gold
	031933-01-000	EA	Seat Protector - Back Corner - Brown Plastic
	029135-01-000	EA	Grommet - Headrest - Brown Nylon
	029039-01-000	EA	Clip - Fastener - Armrest - 3/8"
	029039-01-000	EA	Clip - Fastener - Armrest - 1/2"

CURTAIN, CUSHION AND PAD GROUP (CONTINUED)

ARMRESTS AND HEADRESTS

Key	Part Number	U/M	Description
	033903-05-000	EA	Armrest Asm - Right - Olive
	033903-06-000	EA	Armrest Asm - Right - Gold
	033904-05-000	EA	Armrest Asm - Left - Olive
	033904-06-000	EA	Armrest Asm - Left - Gold
	033905-05-000	EA	Headrest Asm - Olive
	033905-06-000	EA	Headrest Asm - Gold

PADS

Key	Part Number	U/M	Description
	039869-01-000	EA	Pad - Wall Mount Armrest - Right - Olive
	039869-02-000	EA	Pad - Wall Mount Armrest - Right - Gold
	039869-01-000	EA	Pad - Wall Mount Armrest - Left - Olive
	039869-02-000	EA	Pad - Wall Mount Armrest - Left - Gold
	039896-01-000	EA	Pad - Radius Hat Channel - 10 7/8" x 4" - Antique Brown Vinyl
	039896-02-000	EA	Pad - Radius Hat Channel - 4 5/8" x 11" - Antique Brown Vinyl
	039888-01-000	EA	Pad - Overhead Bunk Board - Left - Antique Brown Vinyl
	039889-01-000	EA	Pad - Overhead Bunk Board - Right - Antique Brown Vinyl
	039897-01-000	EA	Pad - Quarter Panel - Right - Antique Brown Vinyl
	039898-01-000	EA	Pad - Quarter Panel - Left - Antique Brown Vinyl
	040202-01-000	EA	Pad - Dinette Wall Panel - Antique Brown Vinyl
	023485-09-000	EA	Pad - Dinette Back Frame - 74" - Antique Brown Vinyl
	023486-09-000	EA	Pad - Dinette Back Frame - 76 1/2" - Antique Brown Vinyl
	023631-04-000	EA	Button w/Nail - Brown Vinyl
	038777-03-000	EA	Cover - Toilet Seat - Brown
	038778-03-000	EA	Skirt - Toilet - Brown
	040450-01-000	EA	Pad - Hat Section Cover - Inside Radius Corner - Left Antique Brown Vinyl
	040450-02-000	EA	Pad - Hat Section Cover - Inside Radius Corner - Right Antique Brown Vinyl
	040452-01-000	EA	Pad - Hat Section Cover - Inside Radius - 3 3/4" Antique Brown Vinyl
	039412-01-000	EA	Pad - Overhead Bunk Panel - Right Front - Brown
	039412-02-000	EA	Pad - Overhead Bunk Panel - Left Front - Brown

FABRICS

Key	Part Number	U/M	Description
	038865-02-000	YD	Fabric - Upholstery - Floral - Olive
	038865-01-000	YD	Fabric - Upholstery - Floral - Gold
	037677-01-000	YD	Fabric - Drapery - Olive
	037677-02-000	YD	Fabric - Drapery - Gold
	037677-03-000	YD	Fabric - Drapery - Brown
	039174-01-000	YD	Fabric - Underdrapes - Ivory
	039176-01-000	YD	Vinyl - Antique Brown

**1975 WINNEBAGO
TABLE OF CONTENTS**

Introduction	A-1
Abbreviations	A-1
Alphabetical Index	A-2 - A-4
D25C	A-5 - B-14
D25CL	B-15 - C-24
D27C	D-1 - E-10
D27CL	E-11 - F-20
D29CURB	F-21 - H-6
D27CU	H-7 - I-18
D27CUL	I-19 - K-6
D25CU	K-7 - L-16

1975 D27CUL INDEX

Floor Plan	I-19 - I-20
Accessories Group	I-21 - I-22
Bath Group	I-23
Chassis Group	I-23 - I-24
Curtain, Cushion & Pad Group	J-1 - J-4
Dinette Group	J-5
Driver's Compartment Group	J-5 - J-6
Electrical Group	J-7 - J-8
Exterior Body Group	J-9 - J-12
Galley Group	J-13
Heating & Air Conditioning Group	J-14
Interior Finish Group	J-15 - J-16
LP Group	J-17
Lounge Group	J-17
Water & Sewage Group	J-18
Window, Vent & Exterior Door Group	J-19 - K-6

DINETTE GROUP

Key	Part Number	U/M	Description
	024274-15-700	EA	Table Asm. - Dinette - Butcher Block w/o Hardware
	047842-01-000	EA	Wall Mount Kit - Dinette Table - Brown
	047809-01-000	EA	Leg Kit - Dinette Table - Brown
	039335-01-700	EA	Cabinet Asm. - Dinette Seat - Front w/o Door or Hardware
	037819-01-701	EA	Door Asm. - Dinette Seat Cabinet - 14" x 11 3/4" w/o Hardware
	039390-01-700	EA	Cabinet Asm. - Dinette Seat - Rear
	039392-01-700	EA	Cabinet Asm. - Dinette Overhead w/o Doors or Hardware
	039398-01-701	EA	Door Asm. - Dinette Overhead Cabinet - 10 1/8" x 23 5/16" w/o Hardware

DRIVER'S COMPARTMENT GROUP

BUCKET SEAT PEDESTAL AND SEAT BELTS

Key	Part Number	U/M	Description
	041459-01-000	EA	Pedestal - Top - Single Seat
	041460-01-000	EA	Pedestal - Top - Double Seat
	041654-01-000	EA	Pedestal Base - Single and Double Seat w/Tightener
	038932-01-000	EA	Rod - Seat Adjuster
	007223-01-000	EA	Adjuster Asm. - Seat w/Lock
	007227-01-000	EA	Adjuster Asm. - Seat w/o Lock
	007012-01-000	EA	Belt Asm. - Seat - 2" x 84" - Black
	041322-01-000	EA	Washer - Flat - 15/32" I.D. x 2 3/8" O.D. - Seat Belt
	023680-01-000	EA	Bracket - Seat Belt
	007021-01-000	EA	Belt Asm. - Seat - 2" x 90" - Black

DASH PANEL AND COMPONENTS

Key	Part Number	U/M	Description
	031623-01-000	EA	Dash Asm. - Complete w/Gauges and Switches
	022219-01-000	EA	Door - Glove Compartment
	009118-01-000	EA	Lock - Twist w/Nut
	023892-01-000	EA	Box - Glove Compartment - Black Fiberboard
	009066-01-000	EA	Hinge - Continuous - Aluminum - 1 1/16" x 72" - Plain
	034309-01-000	EA	Chain - Bead - Glove Box Door
	023834-01-000	EA	Panel - Knee Kick (Bottom of Dash)
	024416-01-000	EA	Lamp Asm. - Map/Gauge
	007308-01-000	EA	Clock - Dash
	007037-01-000	EA	Lighter Asm. - Cigarette - 12 Volt
	007041-01-000	EA	Bezel - Cigarette Lighter
	023599-01-000	EA	Bezel - Entertainment Center - All Options
	024979-01-000	EA	Bezel - Entertainment Center - Lighter Only
	024760-01-000	EA	Bezel - Entertainment Center - Lighter, Clock, Radio and Fader
	007071-01-000	EA	Louver - Chrome - w/Chrome Wheel
	024990-01-000	EA	Outlet - Defroster - w/Swivel - 2" - Tan
	024906-01-000	EA	Diffuser Case - Air Conditioning - 2 1/2" - Black
	023020-01-000	EA	Lamp Asm. - Tail Tale
	039044-01-000	EA	Louver Asm. - A/C Adjustable
	022548-02-000	EA	Pad - Dash - Foam - Right - Oxen Tan
	022242-02-000	EA	Pad - Dash - Foam - Left - Oxen Tan

DRIVER'S COMPARTMENT GROUP (CONTINUED)

DASH SWITCHES AND GAUGES

Key	Part Number	U/M	Description
	024466-01-000	EA	Switch - Rear Wiper
	024976-01-000	EA	Switch - Generator w/o Circuit Board
	024461-01-000	EA	Switch - Battery
	024453-01-000	EA	Switch - Blinker
	024464-01-000	EA	Switch - Washer
	024465-01-000	EA	Switch - Fuel
	024467-01-000	EA	Switch - Wiper
	024462-01-000	EA	Switch - Battery Condition
	024907-01-000	EA	Control Asm. - Heater - A/C - 3 Speed
	031376-02-000	EA	Control Asm. - Heater - 2 Speed
	024459-01-000	EA	Gauge - Voltmeter
	024460-01-000	EA	Gauge - Vacuum
	031373-01-000	EA	Gauge - Auxiliary Fuel
	031035-01-000	EA	Gauge - Hourmeter

FRONT OVERHEAD BUNK CABINET

Key	Part Number	U/M	Description
	031471-03-700	EA	Cabinet Asm. - Glide Away - Overhead
	031471-03-701	EA	Door - Sliding - Glide Away - Overhead
	009148-01-000	EA	Fingerpull
	009785-01-000	FT	Track - Sliding Door - Upper - Plastic
	009786-01-000	FT	Track - Sliding Door - Lower - Plastic

MISCELLANEOUS DRIVERS COMPARTMENT COMPONENTS

Key	Part Number	U/M	Description
	034800-02-000	EA	Cover - Motor - Plastic
	029763-01-000	EA	Seal - Motor Cover
	035022-01-000	FT	Tape - w/s 3/8" x 3/8" Butyl
	039857-01-000	EA	Latch - Rubber - Drawhandle - 5 3/4" w/Strike
	039856-01-000	EA	Latch - Rubber - Drawhandle - 3" w/Strike
	033960-01-000	EA	Cable - Fresh Air - Bowden - 52"
	007278-01-000	EA	Mirror - Inside - 4 1/2" x 9"
	031003-03-000	EA	Side Panel - Oxen Tan - Left
	031004-03-000	EA	Side Panel - Oxen Tan - Right
	022758-02-000	EA	Sunvisor Asm. - Right - Oxen Tan
	022759-02-000	EA	Sunvisor Asm. - Left - Oxen Tan

1975 WINNEBAGO TABLE OF CONTENTS

Introduction	A-1
Abbreviations	A-1
Alphabetical Index	A-2 - A-4
D25C	A-5 - B-14
D25CL	B-15 - C-24
D27C	D-1 - E-10
D27CL	E-11 - F-20
D29CURB	F-21-H-6
D27CU	H-7 - I-18
D27CUL	I-19 - K-6
D25CU	K-7 - L-16

1975 D27CUL INDEX

Floor Plan	I-19 - I-20
Accessories Group	I-21 - I-22
Bath Group	I-23
Chassis Group	I-23 - I-24
Curtain, Cushion & Pad Group	J-1 - J-4
Dinette Group	J-5
Driver's Compartment Group	J-5 - J-6
Electrical Group	J-7 - J-8
Exterior Body Group	J-9 - J-12
Galley Group	J-13
Heating & Air Conditioning Group	J-14
Interior Finish Group	J-15 - J-16
LP Group	J-17
Lounge Group	J-17
Water & Sewage Group	J-18
Window, Vent & Exterior Door Group	J-19 - K-6

ELECTRICAL GROUP

BULBS

Key	Part Number	U/M	Description
	037935-01-000	EA	Bulb - 1157
	038010-01-000	EA	Bulb - 1143
	008103-01-000	EA	Bulb - 53
	008214-01-000	EA	Bulb - 67
	008215-01-000	EA	Bulb - 1093
	008216-01-000	EA	Bulb - 1034
	008217-01-000	EA	Bulb - 1071
	008218-01-000	EA	Bulb - 1141
	008219-01-000	EA	Bulb - 856
	008220-01-000	EA	Bulb - 12 Volt - 25 Watt
	036196-01-000	EA	Bulb - 194
	700020-01-000	EA	Bulb - 12 Volt - 20 Watt 1353
	008213-01-000	EA	Bulb - 57

EXTERIOR LIGHTS

Key	Part Number	U/M	Description
	008089-01-000	EA	Light - Porch - Recessed
	039866-01-000	EA	Lens - Clearance Light - Round Amber
	039865-01-000	EA	Lens - Clearance Light - Round Red
	033562-01-000	EA	Light - Clearance - Oval Amber - 2 Bulb
	033748-01-000	EA	Light - Clearance - Oval Amber - 1 Bulb
	033748-02-000	EA	Light - Clearance - Oval Red - 1 - Bulb
	037585-01-000	EA	Lamp Asm. - Tail - Right
	037585-02-000	EA	Lamp Asm. - Tail - Left
	037585-03-000	EA	Lens - Tail Lamp - Right
	037585-04-000	EA	Lens - Tail Lamp - Left
	037586-01-000	EA	Lamp Asm. - Turn - Right
	037586-02-000	EA	Lamp Asm. - Turn - Left

INTERIOR LIGHTS

Key	Part Number	U/M	Description
	007309-01-000	EA	Light - Stepwell
	008114-01-000	EA	Light - Dome - 12 Volt
	024473-01-000	EA	Light - Air Craft - 1 Bulb - Gold
	033508-01-000	EA	Light - Dome - 1 Bulb
	033509-01-000	EA	Light - Dome - 2 Bulb
	024642-01-701	EA	Lens - Dome Light - 1 Bulb
	024643-01-701	EA	Lens - Dome Light - 2 Bulb
	033859-01-000	EA	Lighter - w/Night Light and Wall Plate

WINDSHIELD WIPER AND WASHER

Key	Part Number	U/M	Description
	007029-01-000	EA	Washer Asm. - Electric - Front
	007191-01-000	EA	Washer Asm. - Electric - Rear
	037999-01-000	EA	Motor Asm. - Windshield Wiper
	037998-01-000	EA	Link Asm. - Connecting - 22.4" long
	038000-01-000	EA	Blade - Windshield Wiper - 15"
	038001-01-000	EA	Shaft and Pivot Asm. - 2.25" Arm
	037997-01-000	EA	Arm - Windshield Wiper - 15"
	700073-05-000	EA	Pump and Cover Asm. - (Washer)
	700073-02-000	EA	Washer - Nozzle Hardware Package - Front

ELECTRICAL GROUP (CONTINUED)

FUSES AND CIRCUIT BREAKERS

Key	Part Number	U/M	Description
	008233-01-000	EA	Fuse - 12 Volt - 6 Amp
	008234-01-000	EA	Fuse - 12 Volt - 10 Amp
	008235-01-000	EA	Fuse - 12 Volt - 15 Amp
	008236-01-000	EA	Fuse - 12 Volt - 20 Amp
	008248-01-000	EA	Fuse - 12 Volt - 30 Amp
	008278-01-000	EA	Fuse - 12 Volt - 9 Amp
	008251-01-000	EA	Fuse Holder - Black - Screw Type
	008212-01-000	EA	Circuit Breaker - 12 Volt - 5 Amp
	008208-01-000	EA	Circuit Breaker - 12 Volt - 40 Amp
	033573-01-000	EA	Circuit Breaker - 12 Volt - 20 Amp
	018259-01-000	EA	Circuit Breaker - 12 Volt - 20 Amp
	008299-01-000	EA	Circuit Breaker - 12 Volt - TOP 115
	008300-01-000	EA	Circuit Breaker - 12 Volt - TOP 250
	008236-01-000	EA	Load Center - 50 Amp - 6 Circuit
	008275-01-000	EA	Safety Block

WIRE, SWITCHES AND RECEPTACLES

Key	Part Number	U/M	Description
	008024-01-000	FT	Wire - 18.5 Bonded - Orange/White/Yellow/Blue/Brown
	008025-01-000	FT	Wire - 18.5 Bonded - Orange/White/Yellow/Blue/Green
	008028-01-000	FT	Wire - 18.5 Bonded - Blue/Red/Yellow/Orange/White
	008032-01-000	FT	Wire - 18.4 Bonded
	008195-01-000	EA	Switch - Push Button - 12 Volt
	008162-01-000	EA	Switch - Double Toggle - Spade Brown
	008163-01-000	EA	Switch - Toggle - Brown
	008077-01-000	EA	Plaque - Compressor Switch
	008054-01-000	EA	Power Cord - 25'
	008058-01-000	EA	Adaptor - Power Cord
	024924-01-000	EA	Receptacle - Power Cord w/Plate
	008157-01-000	EA	Receptacle - Duplex - Brown
	047351-01-000	EA	Receptacle - Ground Fault Interrupter - 125 Volt
	024571-01-000	EA	Cover Plate - Receptacle - Jumbo Steel - Brown
	008164-01-000	EA	Cover Plate - Switch - Single - Plastic - Brown
	031295-01-000	EA	Receptacle - TV - 12 Volt - Brown

MISCELLANEOUS ELECTRICAL COMPONENTS

Key	Part Number	U/M	Description
	039659-01-000	EA	Lighter - w/Night Light and Wall Plate
	046775-01-000	EA	Valve Asm. - Fuel Change Over
	008188-01-000	EA	Solenoid - Dual Battery - Relay
	047389-01-000	EA	Battery - 12 Volt - 105 Amp Deep Cycle - Dry
	047338-01-000	EA	Isolator - Dual Battery
	024417-01-000	EA	Panel - Control - Water/Double Sewage - Wemac
	011024-01-000	EA	Sending Unit - Water Tank - 5 Wire
	039651-01-000	EA	Sending Unit Kit - Wemac
	008257-01-000	EA	Converter - 30 Amp - Electronic

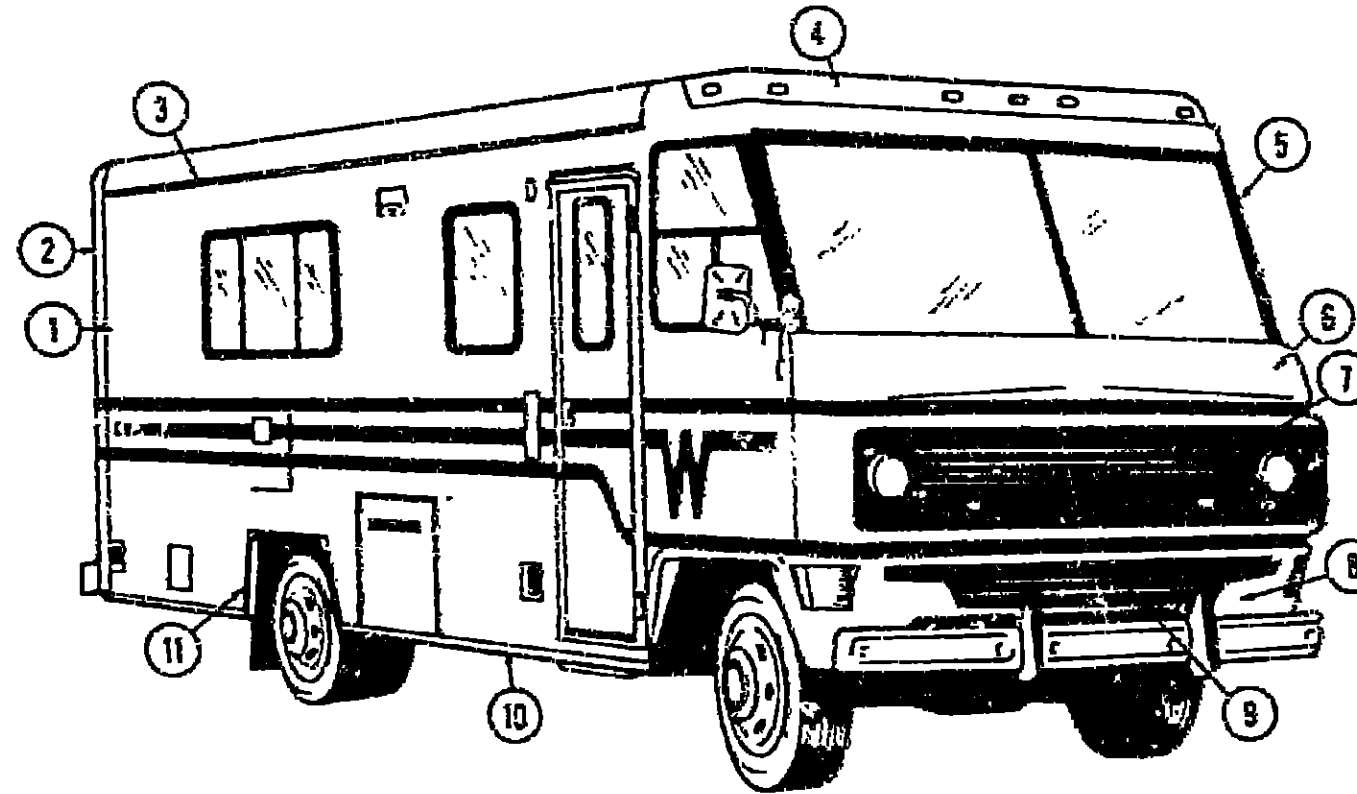
1975 WINNEBAGO TABLE OF CONTENTS

Introduction	A-1
Abbreviations	A-1
Alphabetical Index	A-2 - A-4
D25C	A-5 - B-14
D25CL	B-15 - C-24
D27C	D-1 - E-10
D27CL	E-11 - F-20
D29CURB	F-21-H-6
D27CU	H-7 - I-18
D27CUL	I-19 - K-6
D25CU	K-7 - L-16

1975 D27CUL INDEX

Floor Plan	I-19 - I-20
Accessories Group	I-21 - I-22
Bath Group	I-23
Chassis Group	I-23 - I-24
Curtain, Cushion & Pad Group	J-1 - J-4
Dinette Group	J-5
Driver's Compartment Group	J-5 - J-6
Electrical Group	J-7 - J-8
Exterior Body Group	J-9 - J-12
Galley Group	J-13
Heating & Air Conditioning Group	J-14
Interior Finish Group	J-15 - J-16
LP Group	J-17
Lounge Group	J-17
Water & Sewage Group	J-18
Window, Vent & Exterior Door Group	J-19 - K-6

EXTERIOR BODY GROUP



1975 WINNEBAGO TABLE OF CONTENTS

Introduction	A-1
Abbreviations	A-1
Alphabetical Index	A-2 - A-4
D25C	A-5 - B-14
D25CL	B-15 - C-24
D27C	D-1 - E-10
D27CL	E-11 - F-20
D29CURB	F-21 - H-6
D27CU	H-7 - I-18
D27CUL	I-19 - K-6
D25CU	K-7 - L-16

Key	Part Number	U/M	Description
1	044975-06-000	EA	Extr. - "J" Molding - 120" - Beige
2	040364-01-000	EA	Cap Asm. - Fiberglass w/Large Window Cutout - Rear
3	009717-02-002	EA	Extr. - Drip Rail - 18'
4	038512-01-000	EA	Cap Asm. - Fiberglass - Front - Above Windshield
5	037455-01-000	EA	Frame Asm. - Windshield w/o Glass
6	040362-01-000	EA	Cap Asm. - Fiberglass - Front - Below Windshield
7	037809-C1-000	EA	Grille Asm. - Upper
8	038832-01-000	EA	Cap Asm. - Fiberglass - Lower Wraparound
9	038064-01-000	EA	Grille Asm. - Lower
10	037568-03-001	EA	Extr. Rocker Panel - Beige

Key	Part Number	U/M	Description
11	039983-01-000	EA	Trim - Rear Wheelwell - Left or Right
-	002776-02-001	EA	Extr. Anod. - U-Channel - Serrated - 1 3/4" x 16'
-	002779-02-001	EA	Extr. Anod. - U-Channel - Ribbed - 1 3/4" x 16'
-	002754-02-001	EA	Extr. Anod. - Angle - 3/4" x 3/4" x 18'
-	002365-02-001	EA	Extr. Anod. - U-Channel - Serrated - 1" x 18'
-	021497-01-000	EA	Latch Asm. - Grille
-	038493-01-000	EA	Trim - Windshield - Right - Black
-	038493-02-000	EA	Trim - Windshield - Left - Black
-	038494-01-000	EA	Trim - Windshield - Center - Black
-	Not Illustrated		

1975 D27CUL INDEX

Floor Plan	I-19 - I-20
Accessories Group	I-21 - I-22
Bath Group	I-23
Chassis Group	I-23 - I-24
Curtain, Cushion & Pad Group	J-1 - J-4
Dinette Group	J-5
Driver's Compartment Group	J-5 - J-6
Electrical Group	J-7 - J-8
Exterior Body Group	J-9 - J-12
Galley Group	J-13
Heating & Air Conditioning Group	J-14
Interior Finish Group	J-15 - J-16
LP Group	J-17
Lounge Group	J-17
Water & Sewage Group	J-18
Window, Vent & Exterior Door Group	J-19 - K-6

EXTERIOR BODY GROUP (CONTINUED)

EXTERIOR BODY PANELS AND SHEET ALUMINUM

Key	Part Number	U/M	Description
	039387-01-000	EA	Back Wall Asm.
	039383-01-000	EA	Roof Asm.
	039385-01-000	EA	Side Wall Asm. - Right
	039386-01-000	EA	Side Wall Asm. - Left
	040364-01-000	EA	Cap - Repr - Fiberglass
	040565-01-000	EA	Spare Tire Cover
	039155-02-009	EA	Aluminum - Beige Mesa Design - .024" x 36" x 60"
	039155-02-002	EA	Aluminum - Beige Mesa Design - .024" x 36" x 300"
	039155-02-003	EA	Aluminum - Beige Mesa Design - .024" x 36" x 350"
	039155-02-007	EA	Aluminum - Beige Mesa Design - .024" x 48" x 60"
	039155-02-005	EA	Aluminum - Beige Mesa Design - .024" x 48" x 300"
	039155-02-006	EA	Aluminum - Beige Mesa Design - .024" x 48" x 350"
	039155-02-009	EA	Aluminum - Beige Mesa Design - .024" x 12" x 360"
	026545-01-000	EA	Aluminum - Greyhound - .024" x 48" x 96"
	001018-01-024	EA	Aluminum - No Design - .024" x 48" x 96"
	000858-01-000	BF	Styrofoam - 3/4" x 24" x 96"
	000870-01-000	BF	Styrofoam - 1 1/2" x 24" x 96"

EXTERIOR PAINT

Key	Part Number	U/M	Description
	044496-01-000	EA	Paint - Beige - Acrylic Enamel - 1 Gallon
	044496-03-000	EA	Paint - Beige - Acrylic Enamel - 16 Oz. Aerosol
	044496-04-000	EA	Paint - Beige - Acrylic Lacquer - 1 Gallon
	041561-01-000	EA	Paint - Off White - Acrylic Enamel - 1 Gallon
	041561-03-000	EA	Paint - Off White - Acrylic Enamel - 16 Oz. Aerosol
	041561-04-000	EA	Paint - Off White - Acrylic Lacquer - 1 Gallon

LABELS AND DECALS

Key	Part Number	U/M	Description
	005001-01-000	EA	Name Plate - Plastic - Winnebago Chrome
	005023-01-000	EA	Label - Water Only
	006025-01-000	EA	Label - Gas
	006031-01-000	EA	Label - Potable Water Only
	006040-01-000	EA	Tag - Gas Refueling Warning
	006187-01-000	EA	Label - Sewage
	006188-01-000	EA	Label - Waste Water
	006199-01-000	EA	Label - Exit - Escape Hatch
	006028-01-000	EA	Label - Drain Cap - 2" x 3"
	006084-01-000	EA	Label - Auxiliary Gas
	038284-01-000	EA	Decal - Grill - Flying W
	036403-01-000	EA	Decal - Logo - Winnebago - 28"
	041277-01-000	EA	Decal - Flying W - Right - Brown
	041277-02-000	EA	Decal - Flying W - Left - Brown
	041273-01-000	FT	Decal - Stripe - 2" - Black
	041274-01-000	EA	Decal - Striping - 2 1/2" - Brown
	041275-01-000	EA	Decal - Curved Section - Right - Black
	041275-02-000	EA	Decal - Curved Section - Left - Black
	041276-01-000	EA	Decal - Custom Logo - Right - Brown
	041276-02-000	EA	Decal - Custom Logo - Left - Brown
	008092-01-000	EA	Reflector - Stick On - Rectangular - Red
	003093-01-000	EA	Reflector - Stick On - Rectangular - Amber

EXTERIOR BODY GROUP (CONTINUED)

SEALANTS, ADHESIVES AND FASTENERS

Key	Part Number	U/M	Description
	034552-05-000	EA	Sealant - Off White - Silicone
	034552-04-000	EA	Sealant - Beige - Silicone
	034552-02-000	EA	Sealant - Clear - Silicone
	004348-02-000	EA	Sealant - Aluminum - Silicone
	004349-01-000	EA	Sealant - Black - Silicone
	004342-01-000	EA	Sealant - Weather Ban - 202 Tube
	004346-02-000	EA	Sealant - White - Silicone
	002316-01-000	FT	Sealer Tape - 3/32" x 3/8" - White
	024545-01-000	FT	Sealer Tape - 1/8" x 5/8" - Black
	004350-01-000	FT	Sealer Tape - 1/8" x 1" - Formaseal
	004352-01-000	FT	Sealer Tape - 1/8" x 3/4" - Formaseal
	004355-01-000	FT	Sealer Tape - 1/8" x 5/8" - Black
	004357-01-000	FT	Sealer Tape - 1/8" x 5/8" - Adhesive
	002707-02-000	FT	Sealer Tape - 5/16" x 1/2"
	002707-01-000	FT	Sealer Tape - 5/16" x 3/4" - Black Foam
	002708-01-000	FT	Sealer Tape - 5/16" x 1/2"
	004363-01-000	FT	Sealer Tape - 3/16" x 1/2" - Foam
	004362-01-000	FT	Sealer Tape - 1/8" x 5/8" - Foam
	009200-01-000	EA	Tape - Furnace - 1 1/2"
	041839-01-000	FT	Tape - Window Latch - 3/4" - Adhesive
	041839-02-000	FT	Tape - Window Latch - 1/2" - Adhesive
	004353-01-000	FT	Tape - Gasket - 1/8" x 3/4" - White
	002825-01-000	FT	Weather Stripping - Roof Vent
	002337-01-000	EA	Adhesive - 3M; 1/4" Tube
	004005-01-000	GL	Adhesive - Swirls - Green Glue (Side Wall)
	004012-01-000	EA	Adhesive - 3M - 4475 Tube
	004020-01-000	QT	Adhesive - ABS Cement (Plastic Fittings)
	029051-01-000	EA	Adhesive - Spray Vinyl
	042401-01-000	EA	Screw - 8 - 18 x 3/4" SDPH - Beige
	042403-01-000	EA	Screw - SF/DR 8-18 x 1" - Beige
	005081-01-000	EA	Screw - Wood - 12 - 11 x 3" P.O.H. - Zinc

MISCELLANEOUS EXTERNALLY MOUNTED PARTS

Key	Part Number	U/M	Description
	016253-01-000	EA	Fuel Fill - Recessed - Single Beige - 2 7/16" Hole
	016253-02-000	EA	Fuel Fill - Recessed - Single Beige - 2" Hole
	015587-05-000	EA	Fuel Fill - Recessed - Double Beige
	022620-02-000	EA	Water Fill - Recessed - Beige
	031564-01-000	EA	Handle - Assist - Recessed - White
	011129-01-000	EA	Plumbing Seal - Roof - White 1 1/2"
	011124-01-000	EA	Plumbing Seal - Roof - White 1 1/4"
	011005-01-000	EA	Spout - Water Fill - w/Gauge
	049347-01-000	EA	Mirror Head - 7 1/2" x 10 1/2" Stainless Steel
	049346-01-000	EA	Arm - Low Mount Mirror - Bright Finish
	049944-01-000	EA	Bracket - Mirror - Outside - Beige

1975 WINNEBAGO TABLE OF CONTENTS

Introduction	A-1
Abbreviations	A-1
Alphabetical index	A-2 - A-4
D25C	A-5 - B-14
D25CL	B-15 - C-24
D27C	D-1 - E-10
D27CL	E-11 - F-20
D29CURB	F-21 - H-6
D27CU	H-7 - I-18
D27CUL	I-19 - K-6
D25CU	K-7 - L-16

1975 D27CUL INDEX

Floor Plan	I-19 - I-20
Accessories Group	I-21 - I-22
Bath Group	I-23
Chassis Group	I-23 - I-24
Curtain, Cushion & Pad Group	J-1 - J-4
Dinette Group	J-5
Driver's Compartment Group	J-5 - J-6
Electrical Group	J-7 - J-8
Exterior Body Group	J-9 - J-12
Galley Group	J-13
Heating & Air Conditioning Group	J-14
Interior Finish Group	J-15 - J-16
LP Group	J-17
Lounge Group	J-17
Water & Sewage Group	J-18
Window, Vent & Exterior Door Group	J-19 - K-6

GALLEY GROUP

Key	Part Number	U/M	Description
	039824-01-700	EA	Cabinet Asm. - Galley w/o Countertop, Drawers, Doors or Hardware
	037814-01-701	EA	Countertop Asm. - Galley Cabinet w/Cutout - Butcher Block
	037814-01-702	EA	Drawer Asm. - Galley Cabinet - 5 1/4" x 14 1/8" w/o Hardware
	037814-01-703	EA	Door Asm. - Galley Cabinet - 8 11/16" x 25 7/8" w/o Hardware
	041123-01-000	EA	Breadboard Asm. - Butcher Block
	037895-01-700	EA	Cabinet Asm. - Galley Overhead w/o Doors or Hardware
	037895-01-701	EA	Door Asm. - Galley Overhead Cabinet 14 1/8" x 20 1/16" w/o Hardware
	011033-01-000	EA	Sink - Stainless Steel Double - Large/Small w/Bolts
	011054-01-000	EA	Faucet Asm. - Swivel w/Single Handle and Aerator
	011053-01-700	EA	Aerator - Swivel Faucet
	005091-01-000	EA	Tray - Cutlery - Gold
	040435-01-000	EA	Galley Extension - Butcher Block w/Hardware
	009059-01-000	EA	Hinge - Galley Extension - 2" Gold
	009049-01-000	EA	Support - Galley Extension Table
	033403-01-702	EA	Door Asm. - Refrigerator Cabinet - 10 7/8" x 23 3/4" w/o Hardware
	044829-07-000	EA	Sink Cover - Small - Butcher Block
	044830-07-000	EA	Sink Cover - Large - Butcher Block
**	034542-01-000	EA	Refrigerator - Winnebago - Two Door - W8
**	034544-01-000	EA	Refrigerator - Winnebago - Two Door - W7
**	034545-01-000	EA	Refrigerator - Winnebago - One Door - W6
**	003335-01-000	EA	Refrigerator - Dometic - One Door - RM66
**	003337-01-000	EA	Refrigerator - Dometic - Two Door - RM76
**	003016-01-000	EA	Range - Coleman Eyelevel - 2209C
**	046747-01-000	EA	Range - Coleman Eyelevel - 2209F
	024669-01-000	EA	Hood - Range - Eyelevel Oven - Strawsine
	024669-01-700	EA	Filter - Range Hood - Eyelevel Oven - Strawsine
			Not Illustrated

** The illustrated parts breakdown for this item is provided on the Common Items Fiche.

HEATING AND AIR CONDITIONING GROUP

EVANS AUTOMOTIVE HEATING AND AIR CONDITIONING

Key	Part Number	U/M	Description
	033922-01-000	EA	Evaporator - Air Conditioner
	033932-01-000	EA	Valve - Expansion
	033938-01-000	EA	Core - Heater
	035459-01-701	EA	Blower Asm. - 3 Speed w/Motor
	033926-01-000	EA	Cold Control
	035459-01-704	EA	Resistor - Evans Heater
	048217-01-000	EA	Switch - Fan - 3 Speed Evans
	033933-01-000	EA	Compressor - Auto Air - Evans
	033955-01-000	EA	Condenser - Radiator Mount - Evans
	033854-01-000	EA	Receiver Drier
	033934-01-000	EA	Clutch - Compressor - Evans
	048229-01-000	EA	Kit - Auto Air - 440 - Evans
**	003135-01-000	EA	Furnace - Coleman - 23,000 B.T.U. - 4023
**	003138-01-000	EA	Furnace - Coleman - 28,000 B.T.U. - 4028
**	003140-01-000	EA	Furnace - Coleman - 30,000 B.T.U. - 4030
**	041603-01-000	EA	Furnace - Coleman - 23,000 B.T.U. - 4225
**	041604-01-000	EA	Furnace - Coleman - 28,000 B.T.U. - 4230
**	041605-01-000	EA	Furnace - Coleman - 31,000 B.T.U. - 4235
**	003119-01-000	EA	Furnace - Suburban - 16,000 B.T.U. - NT16
**	034014-01-000	EA	Furnace - Lear Siegler - 32,000 B.T.U. - SRF32
**	003126-01-000	EA	Air Conditioner Asm. - Roof Mount - 10,000 BTU Mach I - Coleman w/o Inside Shroud
**	031850-01-000	EA	Air Conditioner Asm. - Roof Mount - 13,500 BTU Mach III - Coleman w/o Inside Shroud
**	049777-01-000	EA	Air Conditioner - Roof Mount - Ivory - 11,000 BTU Coleman - w/o Inside Shroud
**	049774-01-000	EA	Air Conditioner - Roof Mount - Ivory - 13,500 BTU Coleman - w/o Inside Shroud
**	041738-01-000	EA	Shroud Asm. - Air Conditioner - Inside Ceiling Cool Only - Mach I or Mach III
**	049778-01-000	EA	Shroud Asm. - Air Conditioner - Inside Ceiling Cool Only - 11,000 BTU - Ivory
**	049775-01-000	EA	Shroud Asm. - Air Conditioner - Inside Ceiling Cool Only - 13,500 BTU - Ivory
**	049776-01-000	EA	Shroud Asm. - Air Conditioner - Inside Ceiling Heat and Cool - 13,500 BTU - Ivory

** The illustrated parts breakdown for this item is provided on the Common Items Fiche.

1975 WINNEBAGO TABLE OF CONTENTS

Introduction	A-1
Abbreviations	A-1
Alphabetical Index	A-2 - A-4
D25C	A-5 - B-14
D25CL	B-15 - C-24
D27C	D-1 - E-10
D27CL	E-11 - F-20
D29CURB	F-21 - H-6
D27CU	H-7 - I-18
D27CUL	I-19 - K-6
D25CU	K-7 - L-18

1975 D27CUL INDEX

Floor Plan	I-19 - I-20
Accessories Group	I-21 - I-22
Bath Group	I-23
Chassis Group	I-23 - I-24
Curia: Cushion & Pad Group	J-1 - J-4
Dinette Group	J-5
Driver's Compartment Group	J-5 - J-6
Electrical Group	J-7 - J-8
Exterior Body Group	J-9 - J-12
Galley Group	J-13
Heating & Air Conditioning Group	J-14
Interior Finish Group	J-15 - J-16
LP Group	J-17
Lounge Group	J-17
Water & Sewage Group	J-18
Window, Vent & Exterior Door Group	J-19 - K-6

INTERIOR FINISH GROUP

PANELING AND COUNTERTOP MATERIALS

Key	Part Number	U/M	Description
	037679-01-000	SF	Panel - Ivory Linen - 48" x 96"
	024944-01-000	SF	Panel - Aztec - Gold Green 48" x 96"
	024951-01-000	SF	Panel - Bath Wall - White
	037681-01-000	SF	Panel - Burlwood - 48" x 96"
	024942-01-000	SF	Panel - 150 Cherry - 48" x 96"
	000726-02-000	EA	Batt Strip - 150 Cherry
	037692-01-000	SF	Plastic Laminate - 48" x 96" Butcher Block
	033204-01-000	SF	Plastic Laminate - Antique Leather - 48" x 96"
	009814-05-000	FT	T-Molding - Brown
	002814-05-000	FT	T-Molding Tan Butcher Block

FABRICS AND CARPET

Key	Part Number	U/M	Description
	038855-02-000	YD	Fabric - Upholstery - Green
	038855-01-000	YD	Fabric - Upholstery - Gold
	037677-01-000	YD	Fabric - Drapes - Outer - Green
	037677-02-000	YD	Fabric - Drapes - Outer - Gold
	037677-03-000	YD	Fabric - Drapes - Outer - Brown
	039174-01-000	YD	Fabric - Drapes - Inner - Ivory
	039176-01-000	YD	Vinyl - Nonsupport - Brown
	037678-03-000	SY	Carpet - Brown Coral - Palms 511

INTERIOR MOLDINGS AND TRIMS

Key	Part Number	U/M	Description
	009779-01-000	FT	U-Channel - 1 1/8" - Dark Brown
	009776-01-000	FT	U-Channel - 1" - Dark Brown
	009780-01-000	FT	U-Channel - 1 1/4" - Dark Brown
	009720-01-000	EA	Cover - Roll Bar - White - 85.41"
	023221-01-000	EA	Corner Cover - Roll Bar
	034113-02-000	EA	Corner Cover - Support Bar - Brown
	031575-01-000	EA	Cover - Support Bar - Right
	031575-02-000	EA	Cover - Support Bar - Left
	024700-03-000	EA	Cover - Sidewall - Roll Bar - White
	022758-01-000	EA	Cover - A/C Heater
	022755-01-000	EA	Cover - Control Panel - Plastic
	034689-01-000	EA	Cover - Screw - 10 PPH - Plastic - White
	009814-05-000	FT	T-Molding Tan - Butcher Block
	009814-05-000	FT	T-Molding - Brown
	009812-03-000	FT	Molding - Plastic - Outside Corner - 50"
	009767-01-000	FT	Wetling - Brown
	018501-01-000	EA	Pocket - Side Panel - Plastic
	035697-01-000	EA	Quarter Panel Asm. - Front Right Side
	035698-01-000	EA	Quarter Panel Asm. - Front Left Side

INTERIOR FINISH GROUP (CONTINUED)

CURTAIN HARDWARE

Key	Part Number	U/M	Description
	052327-04-236	EA	Curtain Track - Brown - 89" - Aluminum (Replaces - 009108-01-000 - Marine Track)
	009107-01-000	EA	Guide - Nylon - For Curtain Track (052327-04-236)
	016031-42-000	EA	Track - Curtain - L Rod - Aluminum .90"
	009701-01-000	EA	Carrier w/Rollers - L Rod
	009702-01-000	EA	End Stop - Curtain - L Rod
	020438-01-000	EA	Track - Curtain - Left Front
	021495-01-000	EA	Track - Curtain - Right Front

CABINETRY AND TABLE HARDWARE

Key	Part Number	U/M	Description
	009047-01-000	EA	Holder - Door - Overhead
	009051-01-000	EA	Warp Guard - 48"
	009112-01-000	EA	Flange - 1" Rod Chrome
	047842-01-000	EA	Kit Dinette - Table Leg
	047809-01-000	EA	Kit Dinette - Table Hardware - Wall Mount
	044559-01-000	EA	Pull Kit Asm. - Drawer
	044560-01-000	EA	Hinge Kit Asm. - Lower Door
	044561-01-000	EA	Hinge Kit Asm. - Upper Door
	044562-01-000	EA	Latch Kit Asm. - Flush Upper Door
	044563-01-000	EA	Latch Kit Asm. - Flush Lower Door

MISCELLANEOUS PARTS

Key	Part Number	U/M	Description
	041944-01-700	EA	Extinguisher - Fire w/Bracket - Dry
	005093-01-000	EA	Mirror Inside - 1/8" x 9" x 16" Beveled
	009036-01-000	EA	Mirror Inside - 1/8" x 12" x 42"
	009089-01-000	EA	Clip - Mirror - Plastic w/Screw
	007021-01-000	EA	Belt Asm. - Seat - 2" x 90" - Black
	007019-01-000	EA	Belt Asm. - Seat - 2" x 84" - Black
	023680-01-000	EA	Bracket - Seat Belt
	024730-01-000	EA	Grille - Plastic - 12.4" x 5.9" - Brown (Furnace Duct)
	024935-01-000	EA	Register - Heat - w/Damper 9.9" x 4.8"
	009169-01-000	EA	Grille - Plastic 15.7" x 17.1" - Brown (Furnace)

1975 WINNEBAGO TABLE OF CONTENTS

Introduction	A-1
Abbreviations	A-1
Alphabetical Index	A-2 - A-4
D25C	A-5 - B-14
D25CL	B-15 - C-24
D27C	D-1 - E-10
D27CL	E-11 - F-20
D29CURB	F-21 - H-6
D27CU	H-7 - I-18
D27CUL	I-19 - K-6
D25CU	K-7 - L-16

1975 D27CUL INDEX

Floor Plan	I-19 - I-20
Accessories Group	I-21 - I-22
Bath Group	I-23
Chassis Group	I-23 - I-24
Curtain, Cushion & Pad Group	J-1 - J-4
Dinette Group	J-5
Driver's Compartment Group	J-5 - J-6
Electrical Group	J-7 - J-8
Exterior Body Group	J-9 - J-12
Galley Group	J-13
Heating & Air Conditioning Group	J-14
Interior Finish Group	J-15 - J-16
LP Group	J-17
Lounge Group	J-17
Water & Sewage Group	J-18
Window, Vent & Exterior Door Group	J-19 - K-6

LP GROUP

Key	Part Number	U/M	Description
	015253-01-000	EA	Compartment - LP - Black Plastic
	008803-01-000	EA	Tank - LP - 40 Pound Vertical
	045703-01-000	EA	Hose Asm. - LP - 3/8" I.D. x 24"
	008815-01-000	EA	Regulator - LP - Automatic
	008820-01-000	EA	Hose Asm. - LP - 1/4" I.D. x 16" - Flexible
	015409-01-000	EA	Strap Asm. - LP Bottle

LOUNGE GROUP

Key	Part Number	U/M	Description
	039399-01-700	EA	Cabinet Asm. - Twin Bed Overhead w/o Door or Hardware - Right
	039400-01-700	EA	Cabinet Asm. - Twin Bed Overhead w/o Door or Hardware - Left
	039399-01-701	EA	Door Asm. - Overhead Cabinet (Hole Size - 10 1/3" x 20 5/16") w/o Hardware
	039401-01-700	EA	Cabinet Asm. - Right Night Stand Overhead w/o Door or Hardware
	039401-01-701	EA	Door Asm. - Night Stand Cabinet - (10 7/8" x 20 1/2" - Hole Size) w/o Hardware
	039396-01-700	EA	Cabinet Asm. - Right Night Stand w/o Countertop, Drawers or Hardware
	039396-01-701	EA	Drawer Asm. - Right Night Stand Cabinet - 5 1/4" x 9 3/4" w/o Hardware
	039395-01-702	EA	Countertop Asm. - Right Night Stand Cabinet
	039403-01-701	EA	Door Asm. - Right Wardrobe Cabinet - 18 3/8" x 42 7/8" w/o Hardware
	039393-01-700	EA	Door Asm. - Left Wardrobe Cabinet - 19 1/8" x 46 1/4" w/o Hardware
	039392-01-000	EA	Cabinet Asm. - Gaucho Wing (Face) Left
	039394-01-000	EA	Cabinet Asm. - Gaucho Wing (Face) Right
	039393-01-000	EA	Cabinet Asm. - Gaucho Center (Face)

WATER AND SEWAGE GROUP

Key	Part Number	U/M	Description
	010201-01-000	EA	Hose - Sewer - 3" x 10' w/Clamp
	010205-01-000	EA	Valve - Sanitary - Thelford 3XB
	010234-01-000	EA	Bryonnet - Sewer hose - Plastic
	010235-01-000	EA	Cap - Sewage - 3" - Plastic
	010236-01-000	EA	Adaptor - 3" Sewage Hose
	011066-01-000	EA	P-Trap - 1 1/4" Plastic
	011091-01-000	EA	Waste - Continuous - Double Sink - 11 7/8"
	011005-01-000	EA	Spout - Water Fill - w/Gauge
	700066-01-000	EA	Gauge - Water Fill Spout
	010727-01-000	EA	Tank Asm. - Water - Galvanized - 27 Gallon
	011024-01-000	EA	Sending Unit - Water Tank - 5 Wire
	031434-01-000	EA	Tank Asm. - Holding - Main w/Fittings - Plastic
	014903-01-000	EA	Tank - Holding - Main w/o Fittings - Plastic
	039939-01-000	EA	Tank Asm. - Holding - Auxilliary w/Fittings - Plastic
	039938-01-000	EA	Tank - Holding - Auxiliary w/o Fittings - Plastic
	046524-01-000	EA	Kit - Fittings - Plastic Holding Tank
	023833-01-000	EA	Compressor - 12 Volt - Air - Water System
	023833-01-700	EA	Switch - Pressure - Air Compressor
	004020-01-000	QT	Cement - ABS - Plastic Pipe Fittings
**	051331-01-000	EA	Water Heater - Atwood Bower - G6A2
**	031992-01-000	EA	Water Heater - Atwood Bower - GHS

** The illustrated parts breakdown for this item is provided on the Common Items Fiche.

1975 WINNEBAGO TABLE OF CONTENTS

Introduction	A-1
Abbreviations	A-1
Alphabetical Index	A-2 - A-4
B25C	A-5 - B-14
D25CL	B-15 - C-24
D27C	D-1 - E-10
D27CL	E-11 - F-20
D29CURG	F-21 - H-6
D27CU	H-7 - I-18
D27CUL	I-19 - K-8
D25CU	K-7 - L-16

1975 D27CUL INDEX

Floor Plan	i-19 - i-20
Accessories Group	i-21 - i-22
Bath Group	i-23
Chassis Group	i-23 - i-24
Curtain, Cushion & Pad Group	J-1 - J-4
Dimette Group	J-5
Driver's Compartment Group	J-5 - J-6
Electrical Group	J-7 - J-8
Exterior Body Group	J-9 - J-12
Galley Group	J-13
Heating & Air Conditioning Group	J-14
Interior Finish Group	J-15 - J-16
LP Group	J-17
Lounge Group	J-17
Water & Sewage Group	J-18
Window, Vent & Exterior Door Group	J-19 - K-6

WINDOW, VENT AND EXTERIOR DOOR GROUP

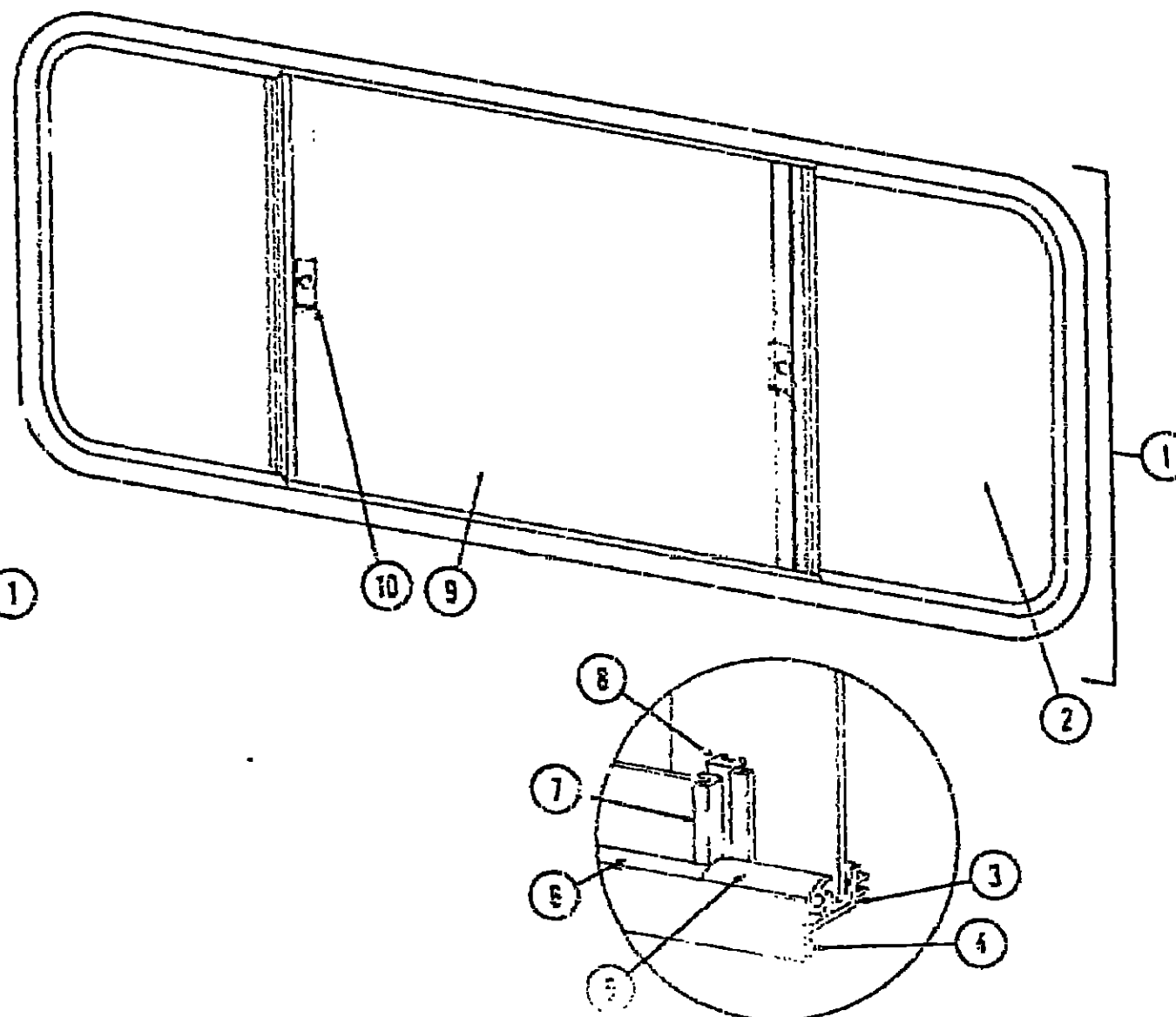
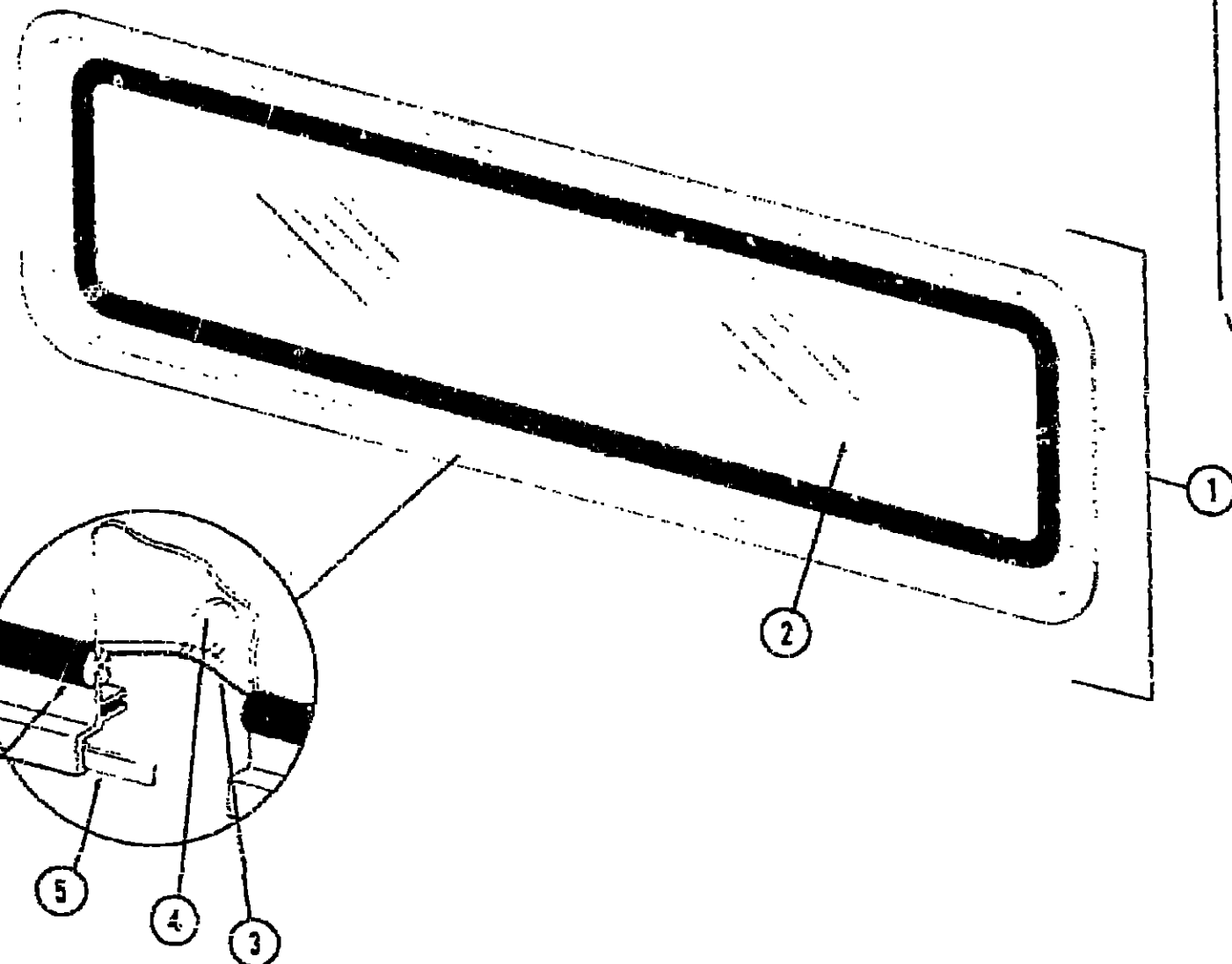
WINDOW, VENT AND EXTERIOR DOOR GROUP (CONTINUED)

1975 WINNEBAGO
TABLE OF CONTENTS

Introduction	A-1
Abbreviations	A-1
Alphabetical Index	A-2 - A-4
D25C	A-5 - B-14
D25CL	B-15 - C-24
D27C	D-1 - E-10
D27CL	E-11 - F-20
D29CURB	F-21-H-6
D27CU	H-7 - I-18
D27CUL	I-19 - K-6
D25CU	K-7 - L-16

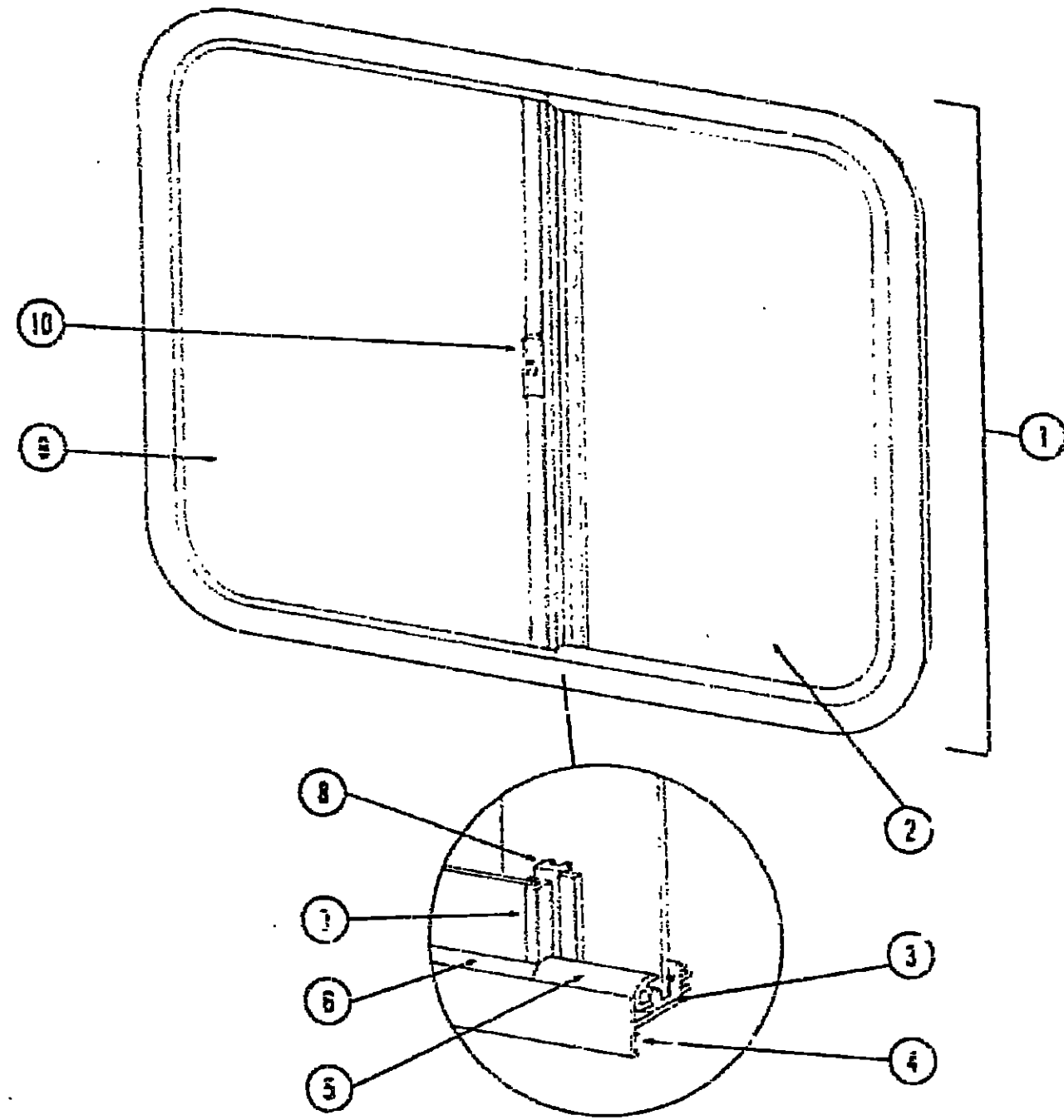
1975 D27CUL INDEX

Floor Plan	I-19 - I-20
Accessories Group	I-21 - I-22
Bath Group	I-23
Chassis Group	I-23 - I-24
Curtain, Cushion & Pad Group	J-1 - J-4
Dinette Group	J-5
Driver's Compartment Group	J-5 - J-6
Electrical Group	J-7 - J-8
Exterior Body Group	J-9 - J-12
Galley Group	J-13
Heating & Air Conditioning Group	J-14
Interior Finish Group	J-15 - J-16
LP Group	J-17
Lounge Group	J-17
Water & Sewage Group	J-18
Window, Vent & Exterior Door Group	J-19 - K-6



key	Part Number	U/M	Description
1	020754-01-000	EA	Window Asm. - Escape - 23" x 68" - w/o inside Frame
2	002178-01-000	EA	Glass - 1/8" x 19.81" x 64.80"
3	002285-01-000	FT	Weatherstrip - Filler - Black
4	020395-01-000	EA	Slip Ring - Pull
5	004363-01-000	FT	Tape - Foam - 3/16" x 1/2" Gray - Inside
6	002282-01-000	FT	Weatherstrip - Window - .125" Black
	020753-04-000	EA	Frame - Window - Inside - 23" x 68" - Brown Not Included With Asm.
	006199-01-000	EA	Label - Exit - Escape Window
			Not Illustrated

Key	Part Number	U/M	Description
1	048630-08-000	EA	Window Asm. - Double Slider - 25" x 65" - Black Anod. w/Plastic Latch - w/o Inside Frame
2	047823-01-000	EA	Glass - 3/16" x 24" x 21.028" - Sliding w/Holes (used w/Plastic Latch)
3	042077-01-000	EA	Glass - 3/16" x 24" x 21.028" - Sliding w/Holes (used w/Aluminum Latch)
4	004363-01-000	FT	Channel - Weatherstrip - Glass Run - 3/16" Glass
5	141982-01-000	FT	Tape - Foam - 3/16" x 1/2" - Gray
6	050216-02-000	FT	Seal - Window Channel - 3/16" - (used w/Plastic Latch)
7	502369-03-203	FT	Seal - Window Channel - 3/16" (used w/Aluminum Latch)
8	041894-04-000	FT	Spline - Glass - 3/16" - Black
9	016514-05-000	EA	Holder - Glass Seal - Black Anod.
10	041894-04-000	EA	Multion - Slider Window - 25" - (used w/Plastic Latch)
	016514-05-000	EA	Multion - Slider Window - (used w/Aluminum Latch)
	002188-02-000	EA	Glass - 3/16" x 24" x 25" - Stationary
	047369-01-700	EA	Latch Asm. - Window - Plastic w/Fastener
	023275-01-000	EA	Latch Asm. - Window - Aluminum
	041839-01-000	FT	Tape - Foam - Aluminum Window Latch
	002293-01-000	FT	Spline - Screen - 130" Dia - Gray
	002293-01-000	SF	Screen - Window - 26" - Gray
	023713-02-000	EA	Cover - Weephole - Black Plastic
	042133-04-000	EA	Frame - Window - Inside - 25" x 65" - (used w/Plastic Latch)
	035277-04-000	EA	Frame - Window - Inside - 25" x 65" (used w/Aluminum Latch)
			Not Illustrated



Key	Part Number	U/M	Description
1	045631-12-000	EA	Window Asm. - Radius - Left Slider - 25" x 29" Black w/o Inside Frame
	045631-11-000	EA	Window Asm. - Radius - Right Slider - 25" x 29" Black w/o Inside Frame
2	002157-02-000	EA	Glass - 3/16" x 24" x 21.000" - Sliding w/Holes Used w/Alum. Latch
	047622-01-002	EA	Glass - 3/16" x 24" x 21.028" - Sliding w/Holes Used w/Plastic Latch
3	042077-01-000	FT	Channel - Weatherstrip - Glass Run
4	004353-01-000	FT	Tape - Foam - 3/16" x 1/2" Gray - Inside
5	002283-02-000	FT	Seal - Window Channel - Window w/Alum. Latch
	041932-01-000	FT	Seal - Window Channel - Window w/Plastic Latch
6	002309-01-000	FT	Spline - Glass - 1/8" - Gray
7	018005-01-000	EA	Holder - Glass Seal - Anod. Clear
8	018014-05-000	EA	Mullion - Slider Window - Used w/Alum. Latch
	041894-04-000	EA	Mullion - Slider Window - Used w/Plastic Latch
9	002184-02-000	EA	Glass - 3/16" x 24" x 16.531" Stationary
10	047369-01-700	EA	Latch Asm. - Plastic
	023275-01-000	EA	Latch Asm. - Alum.
	042147-09-000	EA	Inside Frame - 25" x 29" - Brown - Window w/Plastic Latch - Not Included in Assy.
	035276-04-000	EA	Inside Frame - 25" x 29" - Brown - Window w/Alum Latch - Not Included in Assy.
	023713-02-000	EA	Cover - Weephole - Black Plastic
	041059-01-000	FT	Tape - Foam - Alum Window Latch
	002293-01-000	FT	Spline Screen - .130" Dia. - Gray
	002293-01-000	SF	Screen - Window - 25" Gray
			Not Illustrated

1975 WINNEBAGO
TABLE OF CONTENTS

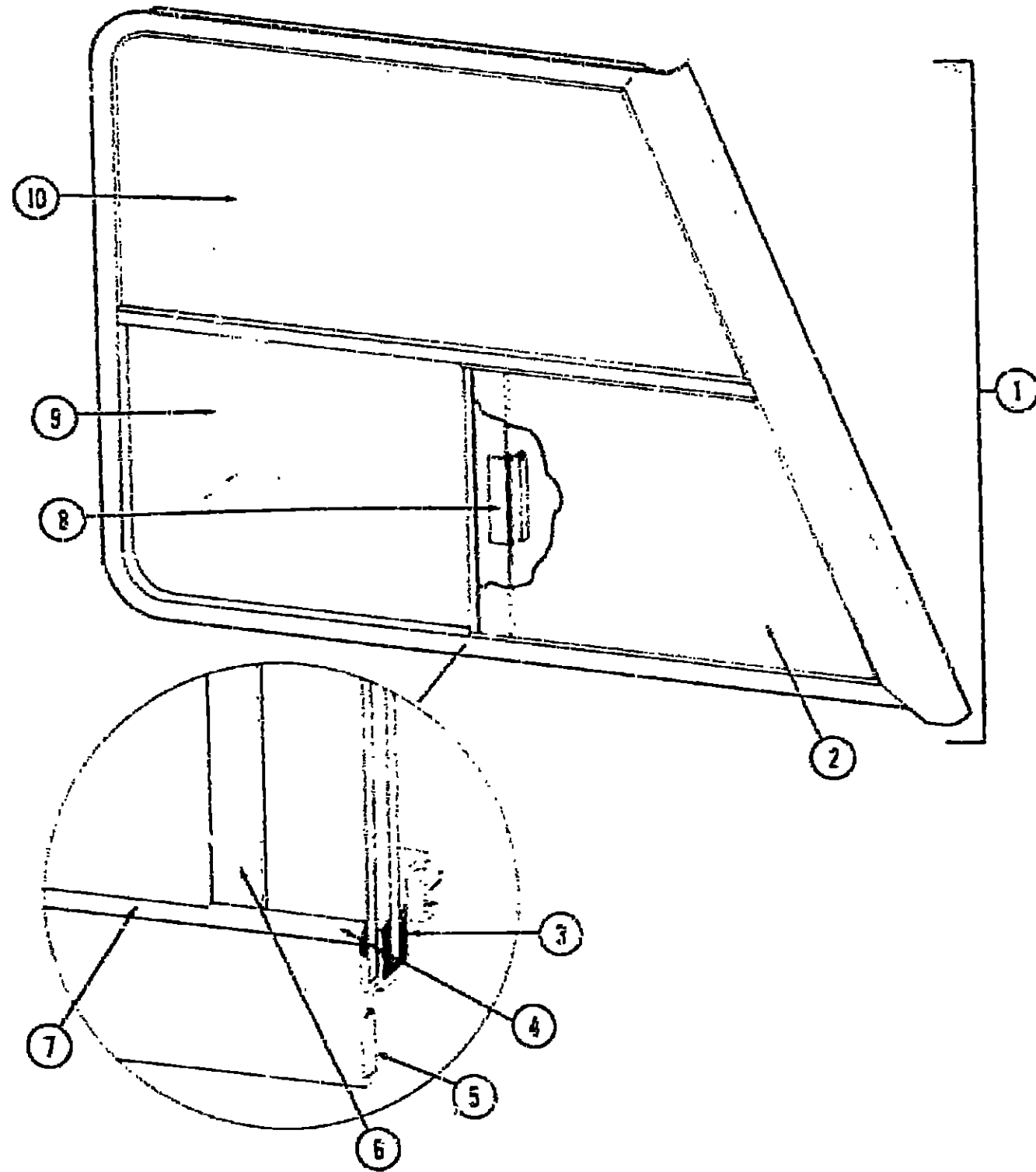
Introduction	A-1
Abbreviations	J-1
Alphabetical Index	A-2 - A-4
D25C	A-5 - B-14
D25CL	B-15 - C-24
D27C	D-1 - E-10
D27CL	E-11 - F-20
D29CURB	F-21 - H-6
D27CU	H-7 - I-18
D27CUL	I-19 - K-6
D25CU	K-7 - L-16

1975 D27CUL INDEX

Floor Plan	i-19 - i-20
Accessories Group	i-21 - i-22
Bath Group	i-23
Chassis Group	i-23 - i-24
Curtain, Cushion & Pad Group	J-1 - J-4
Dinette Group	J-5
Driver's Compartment Group	J-5 - J-6
Electrical Group	J-7 - J-8
Exterior Body Group	J-9 - J-12
Galley Group	J-13
Heating & Air Conditioning Group	J-14
Interior Finish Group	J-15 - J-16
LP Group	J-17
Lounge Group	J-17
Water & Sewage Group	J-18
Window, Vent & Exterior Door Group	J-19 - K-6

WINDOW, VENT AND EXTERIOR DOOR GROUP (CONTINUED)

WINDOW, VENT AND EXTERIOR DOOR GROUP (CONTINUED)



Key	Part Number	U/M	Description
1	037870-01-000	EA	Window Asm. - Black - Radius - Right Slanted Slider - w/o Inside Frame
	037870-02-000	EA	Window Asm. - Black - Radius - Left Slanted Slider - w/o Inside Frame
2	037634-01-000	EA	Glass - 13.81" x 21.12" x 14.91"
3	002324-01-000	FT	Channel - Weatherstrip - Glass Run - 1/8" Glass
4	024036-01-000	FT	Seal - Window Channel - Gray
5	004363-01-000	FT	Tape - Foam - 3/16" x 1/2" - Gray
6	018025-03-000	EA	Holder - Glass Seal - Black Anod.
7	002309-02-000	FT	Spline - Glass - 1/8" Black
8	023275-01-000	EA	Latch Asm. - Window
9	037E33-01-000	EA	Glass - 13.81" x 18.94" - Sliding
10	037635-01-000	EA	Glass - 13.72" x 31.91" x 25.78"
.	037453-01-000	EA	Frame - Inside - Front Slanted Slider - Right
.	037453-02-000	EA	Frame - Inside - Front Slanted Slider - Left
.	023713-02-000	EA	Cover - Weephole - Plastic - Black
.	002293-01-000	SF	Screen - Window - 28" - Gray
.			Not Illustrated

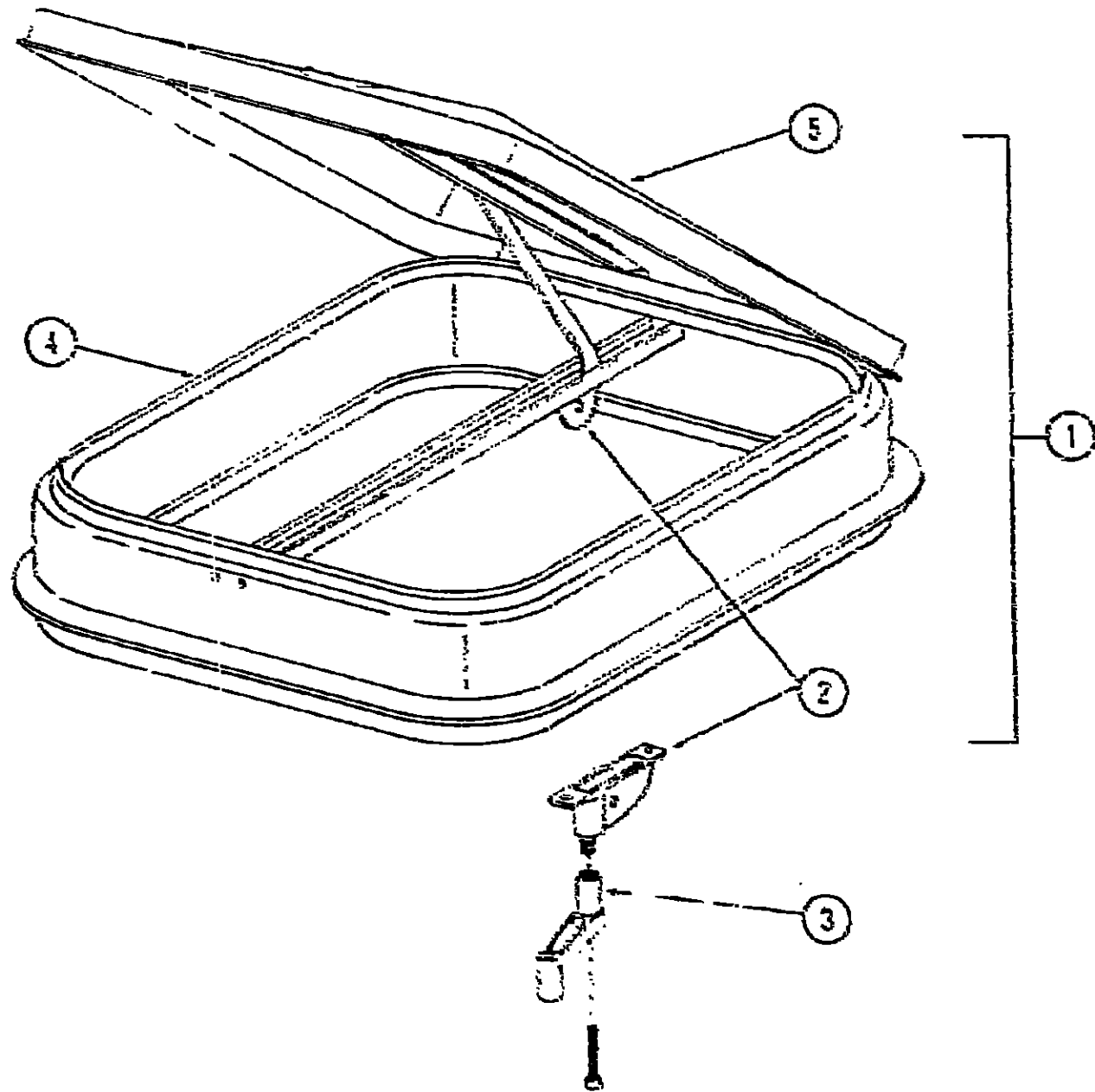
1975 WINNEBAGO
TABLE OF CONTENTS

Introduction	A-1
Abbreviations	A-1
Alphabetical Index	B-2 - A-4
D25C	B-5 - B-14
D25CL	C-15 - C-24
D27C	D-1 - E-10
D27CL	E-11 - F-20
D29CURB	F-21 - H-6
D27CU	H-7 - I-12
D27CUL	I-19 - K-6
D25CU	K-7 - L-16

1975 D27CUL INDEX

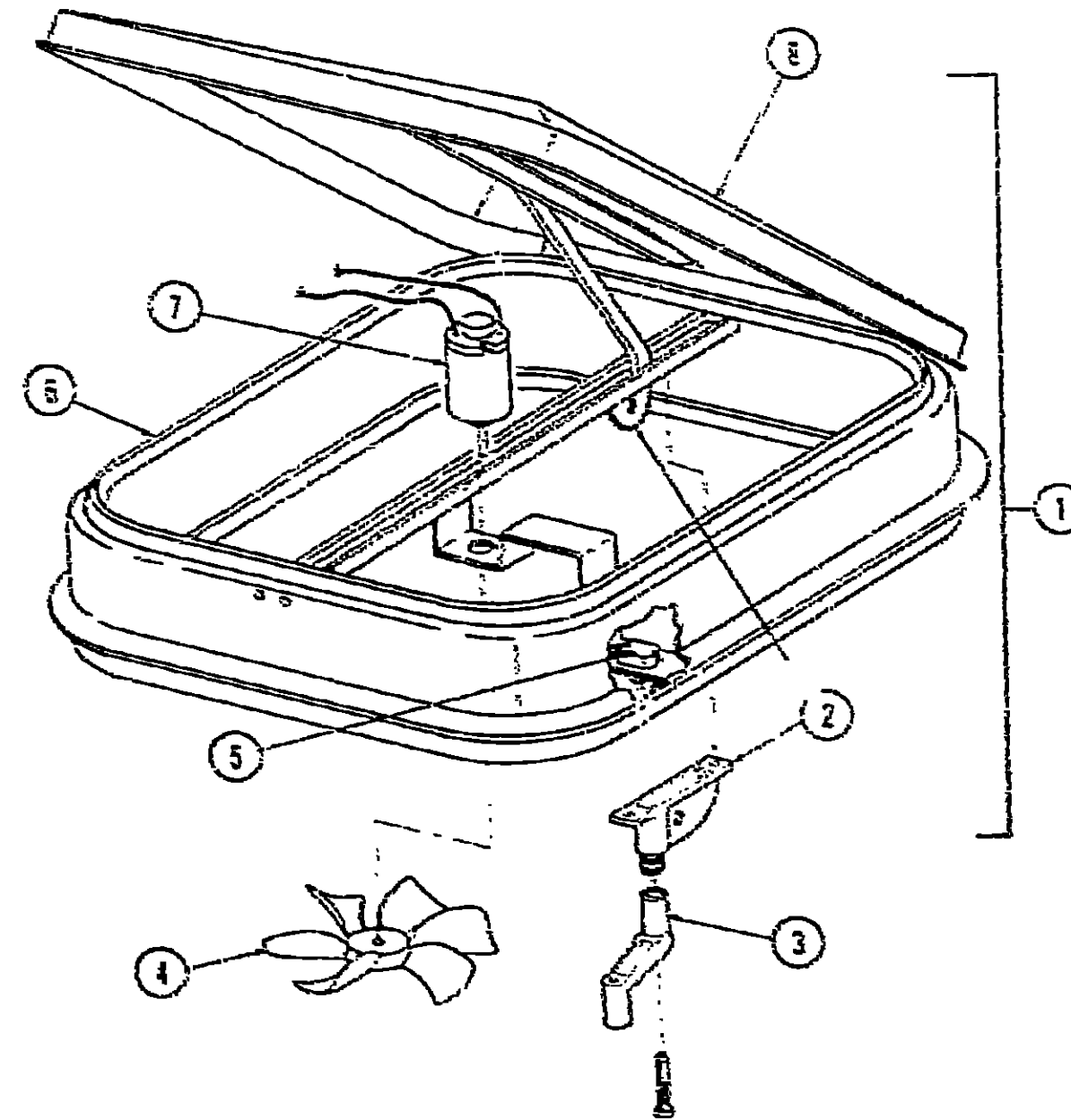
Floor Plan	I-19 - I-20
Accessories Group	I-21 - I-22
Bath Group	I-23
Chassis Group	I-23 - I-24
Curtain, Cushion & Pad Group	J-1 - J-4
Dinette Group	J-5
Driver's Compartment Group	J-5 - J-6
Electrical Group	J-7 - J-8
Exterior Body Group	J-9 - J-12
Galley Group	J-13
Heating & Air Conditioning Group	J-14
Interior Finish Group	J-15 - J-16
LP Group	J-17
Lounge Group	J-17
Water & Sewage Group	J-18
Window, Vent & Exterior Door Group	J-19 - K-6

WINDOW, VENT AND EXTERIOR DOOR GROUP (CONTINUED)



Key	Part Number	U/M	Description
1	045835-01-000	EA	Vent Arm - Roof - Nonpowered - w/o Screen
2	002440-01-000	EA	Gear - Arm - Roof Vent
3	009452-01-000	EA	Crank - Roof Vent
4	002825-01-000	FT	Weatherstrip - Roof Vent
5	045825-01-000	EA	Cover - Plastic - Roof Vent
	016335-01-000	EA	Screen Asm. - Nonpowered Roof Vent - Clear Anod (not included in assembly)
	016335-03-000	EA	Screen Asm. - Nonpowered Roof Vent - Beige (not included in assembly)
			Not Illustrated

WINDOW, VENT AND EXTERIOR DOOR GROUP (CONTINUED)



Key	Part Number	U/M	Description
1	045762-01-000	EA	Vent Asm - Roof - Powered - w/o Screen
2	002440-01-000	EA	Gear - Arm - Roof Vent
3	009452-01-000	EA	Crank - Roof Vent
4	045842-01-000	EA	Fan - Blade - 6" - Plastic
	002442-01-000	EA	Fan - Blade - Aluminum
5	008195-01-000	EA	Switch - Push Button - 12 Volt
6	002525-01-000	FT	Weatherstrip - Roof Vent
7	045645-01-000	EA	Motor - 12 Volt (Vent w/Plastic Fan)
	002441-01-000	EA	Motor - 12 Volt (Vent w/Aluminum Fan)
8	045825-01-000	EA	Cover - Plastic - Roof Vent (Vent w/Plastic Fan)
	016336-01-000	EA	Cover - Plastic - Roof Vent (Vent w/Aluminum Fan)
	045695-01-000	EA	Screen Asm - Powered Roof Vent - Clear Anod (Vent w/Plastic Fan) (not included w/Assembly)
	016337-01-000	EA	Screen Asm - Powered Roof Vent - Clear Anod - Vent w/Aluminum Fan (not included w/Assembly)
			Not Illustrated

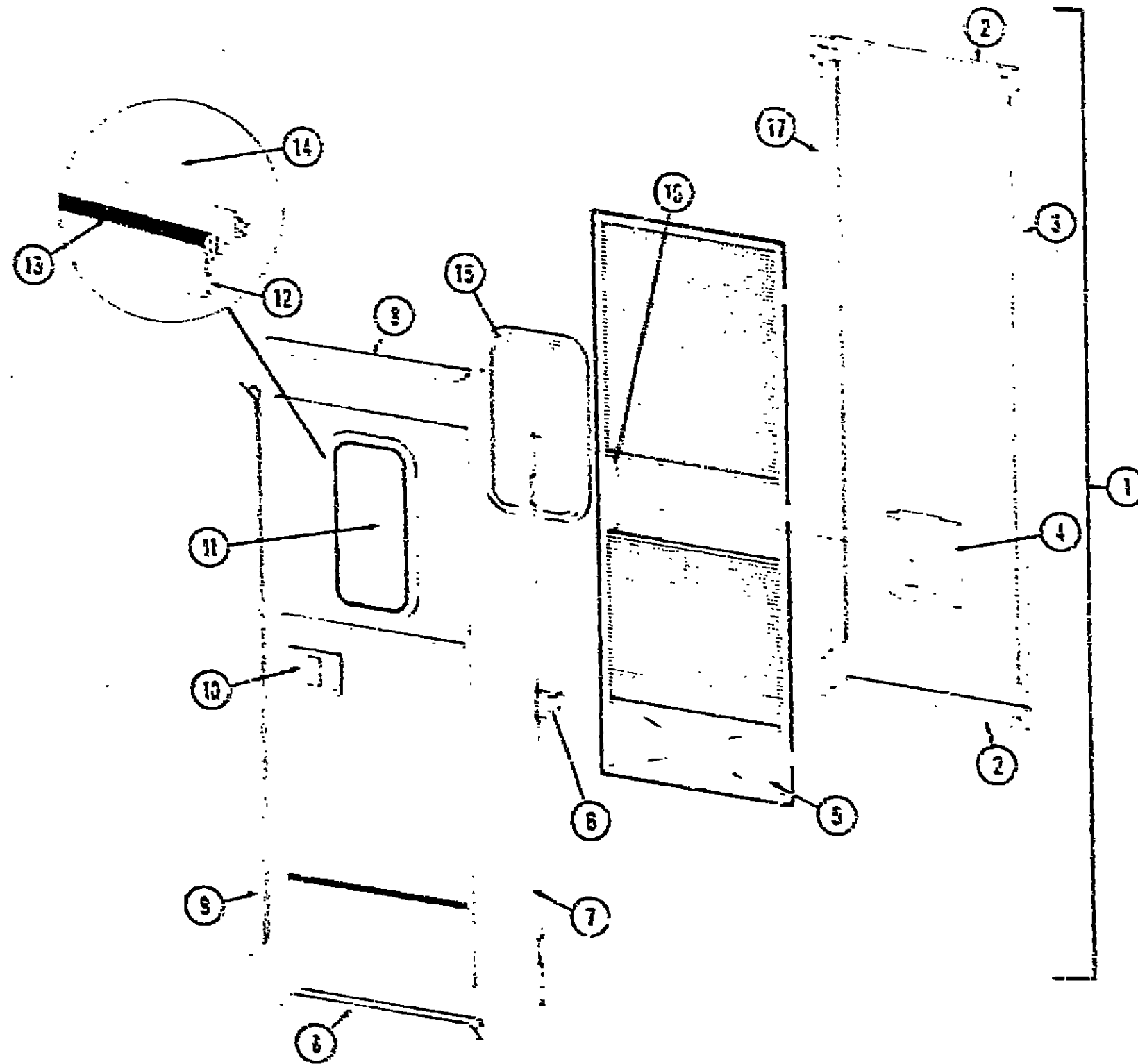
1975 WINNEBAGO
TABLE OF CONTENTS

Introduction	A-1
Abbreviations	A-1
Alphabetical Index	A-2 - A-4
D25C	A-5 - B-14
D25CL	B-15 - C-24
D27C	D-1 - E-10
D27CL	E-11 - F-20
D29CURB	F-21 - H-8
D27CU	H-7 - I-15
D27CUL	I-19 - K-8
D25CU	K-7 - L-18

1975 D27CUL INDEX

Floor Plan	I-19 - I-20
Accessories Group	I-21 - I-22
Bath Group	I-23
Chassis Group	I-23 - I-24
Curtain, Cushion & Pad Group	J-1 - J-4
Dinette Group	J-5
Driver's Compartment Group	J-5 - J-6
Electrical Group	J-7 - J-8
Exterior Body Group	J-9 - J-12
Galley Group	J-13
Heating & Air Conditioning Group	J-14
Interior Finish Group	J-15 - J-16
LP Group	J-17
Lounge Group	J-17
Water & Sewage Group	J-18
Window, Vent & Exterior Door Group	J-19 - K-6

WINDOW, VENT AND EXTERIOR DOOR GROUP (CONTINUED)



Key	Part Number	U/M	Description
1	031178-06-000	EA	Door Asm - Entry Custom
2	023013-02-000	EA	Jamb - Entry Door - Upper and Lower
3	023012-02-000	EA	Jamb - Entry Door - Right
4	015550-01-000	EA	Slider - Screen Door - Plastic
5	015874-01-000	EA	Door Asm - Screen
6	024550-01-000	EA	Hinge - Entry Door - Screen Door
7	038569-01-000	EA	Frame Entry Door - Right
8	017378-02-000	EA	Frame - Entry Door - Upper and Lower
9	031185-02-000	EA	Frame - Entry Door - Left
10	024094-01-000	EA	Latch - Entry Door - Hartwell

Key	Part Number	U/M	Description
11	041875-04-000	EA	Window - Asm. - Picture - 13" x 25"
12	004367-01-000	FT	Tape - Foam - 3/16" x 1/2" - Gray
13	002307-02-000	FT	Spline - Glass - 1/8" - Black
14	022181-02-000	EA	Glass - 3/16" x 12" x 24" - Gray
15	041695-04-000	EA	Frame - Window - Inside - 13" x 25" Not Included w/Window Asm. - Z Style
	017752-03-000	EA	Frame - Window - Inside - 13" x 25" Not Included w/Window Asm. - I Style
16	015581-01-000	EA	Cap - Screen Door - Plastic
17	023011-02-000	EA	Jamb - Entry Door - Left

1975 WINNEBAGO
TABLE OF CONTENTS

Introduction	A-1
Abbreviations	A-1
Alphabetical Index	A-2 - A-4
D25C	A-5 - B-14
D25CL	B-15 - C-24
D27C	D-1 - E-10
D27CL	E-11 - F-20
D29CURB	F-21 - H-6
D27CU	H-7 - I-16
D27CUL	I-19 - K-6
D25CU	K-7 - L-15

1975 D27CUL INDEX

Floor Plan	I-19 - I-20
Accessories Group	I-21 - I-22
Bath Group	I-23
Chassis Group	I-23 - I-24
Curtain, Cushion & Pad Group	J-1 - J-4
Dinette Group	J-5
Diner's Compartment Group	J-5 - J-6
Electrical Group	J-7 - J-8
Exterior Body Group	J-9 - J-12
Galley Group	J-13
Heating & Air Conditioning Group	J-14
Interior Finish Group	J-15 - J-16
LP Group	J-17
Lounge Group	J-17
Water & Sewage Group	J-18
Window, Vent & Exterior Door Group	J-19 - K-5

WINDOW, VENT AND EXTERIOR DOOR GROUP (CONTINUED)

WINDSHIELD

Key	Part Number	U/M	Description
	037455-01-000	EA	Frame Asm. - Windshield w/o Glass
	034975-02-000	EA	Glass - Windshield - Left or Right
	038493-01-000	EA	Trim - Windshield - Right
	038493-02-000	EA	Trim - Windshield - Left
	034900-01-000	EA	Cap - Windshield - Top Center - Tee - Black

ACCESS DOORS

Key	Part Number	U/M	Description
	015062-01-000	EA	Door Asm. - 9" x 10" Left - Beige Plastic w/Twist Type Lock
	018586-01-000	EA	Door Asm. - 9" x 10" Right - Beige Plastic w/Twist Type Lock
	037804-01-000	EA	Door Asm. - Battery - Beige w/Twist Type Lock
	037804-02-000	EA	Door Asm. - Luggage - Beige w/Key Type Lock
	037805-01-000	EA	Door Asm. - LP Beige w/Twist Type Lock
	037806-01-000	EA	Door Asm. - Generator - Beige w/Twist Type Lock
	037807-01-000	EA	Door Asm. - Refrigerator Access - Beige w/Twist Type Lock
	047305-01-000	EA	Lock Asm. - Key Type w/Clip
	039564-01-000	EA	Lock Asm. - Twist Type w/Clip
	003162-03-000	EA	Door Asm. - Water Heater Access - Off White

1975 WINNEBAGO TABLE OF CONTENTS

Introduction	A-1
Abbreviations	A-1
Alphabetical Index	A-2 - A-4
D25C	A-5 - B-14
D25CL	B-15 - C-24
D27C	D-1 - E-10
D27CL	E-11 - F-23
D29CURB	F-24 - H-6
D27CU	H-7 - I-16
D27CUL	I-17 - K-6
D29CU	K-7 - L-16

1975 D27CUL INDEX

Floor Plan	I-19 - I-20
Accessories Group	I-21 - I-22
Bath Group	I-23
Chassis Group	I-23 - I-24
Curtain, Cushion & Pad Group	J-1 - J-4
Dinette Group	J-5
Driver's Compartment Group	J-5 - J-6
Electrical Group	J-7 - J-8
Exterior Body Group	J-9 - J-12
Galley Group	J-13
Heating & Air Conditioning Group	J-14
Interior Finish Group	J-15 - J-16
LP Group	J-17
Lounge Group	J-17
Water & Sewage Group	J-18
Window, Vent & Exterior Door Group	J-18 - K-5