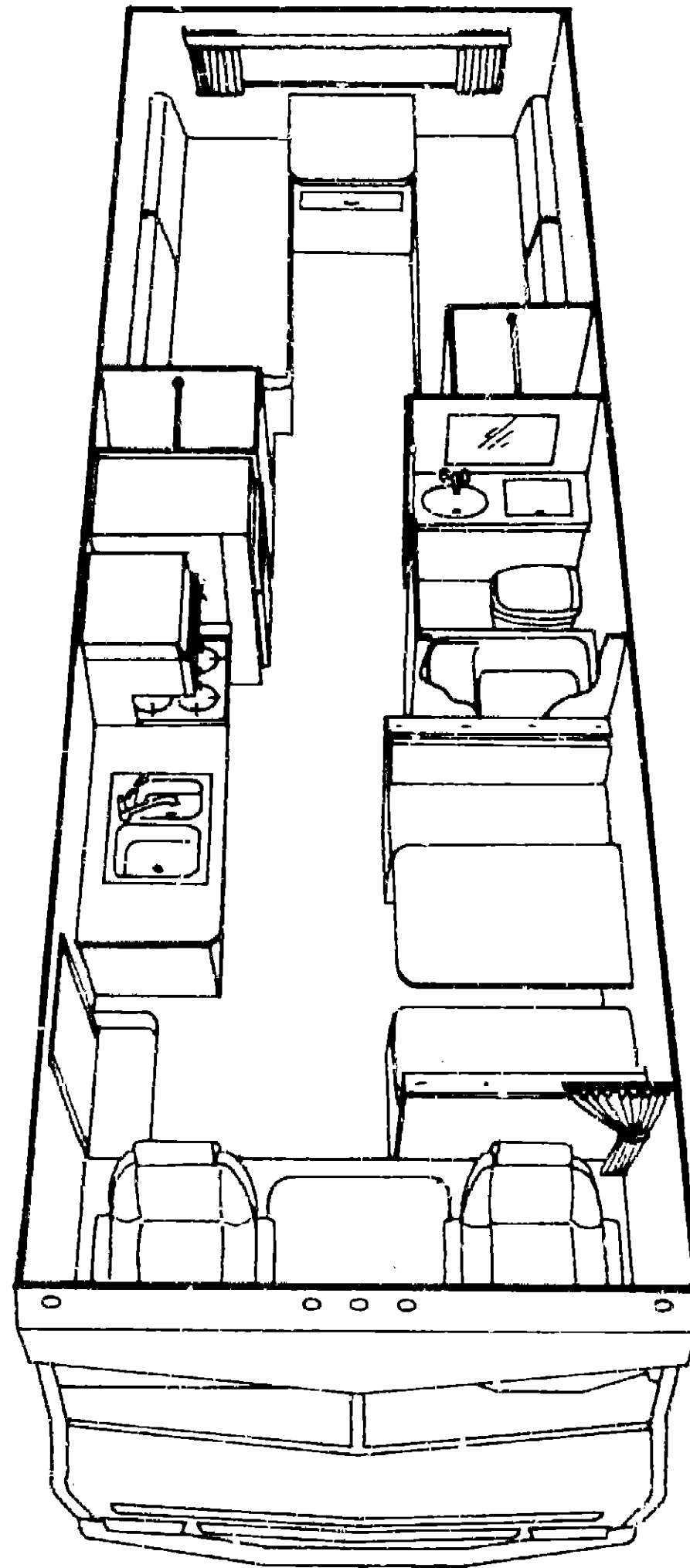


1975 D27C



1975 WINNEBAGO TABLE OF CONTENTS

Introduction	A-1
Abbreviations	A-1
Alphabetical index	A-2 - A-4
D25C	A-5 - B-14
D25CL	B-15 - C-24
D27C	D-1 - E-10
D27CL	E-11 - F-20
D29CURB	F-21 - H-6
D27CU	H-7 - I-18
D27CUL	I-19 - K-6
D25CU	K-7 - L-16

1975 D27C INDEX

Floor Plan	D-1 - D-2
Accessories Group	D-3 - D-4
Bath Group	D-5
Chassis Group	D-5 - D-6
Curtain, Cushion & Pad Group	D-7 - D-10
Dinette Group	D-11
Driver's Compartment Group	D-11 - D-12
Electrical Group	D-13 - D-14
Exterior Body Group	D-15 - D-18
Galley Group	D-19
Heating & Air Conditioning Group	D-20
Interior Finish Group	D-21 - D-22
LP Group	D-23
Lounge Group	D-23
Water & Sewage Group	D-24
Window, Vent & Exterior Door Group	E-1 - E-10

ACCESSORIES GROUP

RADIOS AND RELATED COMPONENTS

Key	Part Number	U/M	Description
	031105-01-000	EA	Antenna - Radio - Side Mount
	031105-01-700	EA	Clip - Retaining - Side Mount Antenna
	039879-01-000	EA	Kit - Radio Speaker - 5 1/4" w/Cover
	049730-01-000	EA	Radio - AM w/Fader - Clarion
	049732-01-000	EA	Radio - AM/FM/MPX - 8 Track - w/Fader - Clarion
	049731-01-000	EA	Radio - AM/FM/MPX - w/Fader - Clarion
	048146-01-000	EA	Radio - CB Messenger 123 - A - Johnson
	048153-01-000	EA	Antenna - CB - Camper Style

SPEED CONTROL AND COMPONENTS

Key	Part Number	U/M	Description
	024746-01-000	EA	Speed Control Package - 440 C.I.D. - Dodge - Lever Type - A-Body
	007255-01-000	EA	Regulator Asm.
	024746-01-701	EA	Servo Asm.
	024746-01-702	EA	Switch - Engage Lever
	007255-01-703	EA	Cable Asm. - Transmission - 42"
	007255-01-704	EA	Switch Asm. - Decelerate
	024746-01-700	EA	Relay - Speed Control

GENERATORS AND INSTALLATION KITS

Key	Part Number	U/M	Description
	007061-01-000	EA	Generator - Onan - 4000 Watt CCK w/Mounting Bolts and Rubber Feet
	007058-01-000	EA	Generator - Onan - 5000 Watt - CCK w/Mounting Bolts and Rubber Feet
	039237-01-000	EA	Kit - 4000, 5000 Onan Installation - w/o Bolt Package and Rubber Feet
	007290-01-000	EA	Tailpipe - Generator Exhaust 1.62" x 17"
	024732-01-004	EA	Steel Tubing - 1.5" O.D. - 18 Gauge x 34"
	007292-01-000	EA	Muffler - Generator
	007131-01-000	EA	Hanger - Tailpipe
	007125-01-000	EA	Clamp Asm. - Muffler 1.62" Dia
	007125-03-000	EA	Clamp Asm. - Muffler 1.50" Dia
	042855-01-000	EA	Scoop - Generator - Air
	007067-01-000	SF	Insulation - Fiberglass 1"
	007059-02-000	EA	Bolt Package
	007059-03-000	EA	Foot - Rubber - Generator Mounting
	031035-01-000	EA	Gauge - Hourmeter
	024976-01-000	EA	Switch - Generator - w/o Circuit Board
	045226-01-000	EA	Tray - Sliding - Generator

FRONT BUNK, CABINET AND HARDWARE

Key	Part Number	U/M	Description
	031471-03-700	EA	Cabinet - Glide Away - Overhead
	031471-03-701	EA	Door - Sliding - Glide Away - Front Overhead
	009146-01-000	EA	Fingerpull
	009785-01-000	FT	Track - Sliding Door - Upper - Dark Brown Plastic
	009786-01-000	FT	Track - Sliding Door - Lower - Dark Brown Plastic
	048392-01-000	EA	Bunk - Front - Overhead - (Board w/Rails)
	023812-01-000	EA	Rail - Bunk - Brown 84.50"
	042988-01-000	EA	Support Asm. - Left and Right Overhead Bunk
	017641-01-000	EA	Stabilizer Asm. - Bunk
	038986-01-000	EA	Strap - Support - Front Bunk
	040071-01-700	EA	Support - Bunk - Overhead Seat Belt
	022540-01-000	EA	Support Asm. - Bunk Strap 20"
	005076-01-000	EA	Ladder - Bunk - 66" Aluminum

ACCESSORIES GROUP (CONTINUED)

MISCELLANEOUS ACCESSORIES

Key	Part Number	U/M	Description
	044148-01-000	EA	TV - Color - 13" Sharp
	006093-01-000	EA	Jack - TV - Brown
	006053-01-000	EA	Antenna - TV - Braund Delux
	031450-01-000	EA	Vacuum - Wallmount w/Attachments
	700108-02-000	EA	Vacuum - Bags (used with 031450-01-000)
	036420-01-000	EA	Fan - Defroster
	041944-01-700	EA	Fire Extinguisher w/Bracket
	007035-01-000	EA	Ladder Asm. - w/Luggage Rack - Square
	007035-02-000	EA	Rack - Pads, Caps, Blocks - Square
	007035-03-000	EA	Ladder Asm. - Square
	040899-01-000	EA	Ladder Asm. - w/Luggage Rack - Round
	040899-02-000	EA	Ladder Asm. - Round
	007017-01-000	EA	Mat - Floor - Black Rubber
	007035-01-000	EA	Mat - Floor - Black Rubber 10 1/2" x 26"
	023765-01-000	EA	Mud Flap
	034410-01-000	EA	Cover - Tire - 34" White - Brown - W
	009011-01-000	EA	Lock - Dead Bolt - 2 3/4"
	022534-01-000	EA	Guard Asm. - Bumper Front Right
	022535-01-000	EA	Guard Asm. - Bumper Front Left
	007268-01-000	EA	Guard - Bumper - Chrome (Rear)
	006113-01-000	EA	Jack - Hydraulic - 5 Ton
	006091-01-000	EA	Tray - Cutlery - Gold
	006060-01-000	EA	Purification System - Everpure
	006060-02-000	EA	Cartridge - Replacement
	022400-01-000	EA	Mirror - C/S - w/Convex - Stainless Steel
	700023-04-000	EA	Mirror - Convex 5" x 4"

1975 WINNEBAGO TABLE OF CONTENTS

Introduction	A-1
Abbreviations	A-1
Alphabetical Index	A-2 - A-4
D25C	A-5 - B-14
D25CL	B-15 - C-24
D27C	D-1 - E-10
D27CL	E-11 - F-20
D29CURB	F-21-H-6
D27CU	H-7 - I-18
D27CUL	I-19 - K-6
D25CU	K-7 - L-16

1975 D27C INDEX

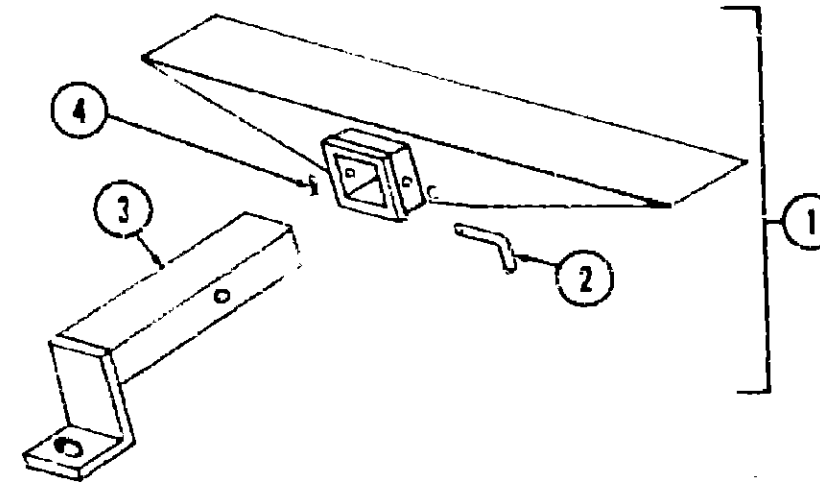
Floor Plan	D-1 - D-2
Accessories Group	D-3 - D-4
Bath Group	D-5
Chassis Group	D-5 - D-6
Curtain, Cushion & Pad Group	D-7 - D-10
Dinette Group	D-11
Driver's Compartment Group	D-11 - D-12
Electrical Group	D-13 - D-14
Exterior Body Group	D-15 - D-18
Galley Group	D-19
Heating & Air Conditioning Group	D-20
Interior Finish Group	D-21 - D-22
LP Group	D-23
Lounge Group	D-23
Water & Sewage Group	D-24
Window, Vent & Exterior Door Group	E-1 - E-10

BATH GROUP

Key	Part Number	U/M	Description
	024895-01-000	EA	Lavatory - White Plastic - Complete Top w/o Hardware
	024991-01-000	EA	Lid - Lavatory Top - White Plastic (Storage Compartment)
	031319-01-000	EA	Cabinet Asm. - Lavatory w/o Top, Drawer, Door or Hardware
	031319-01-700	EA	Drawer Asm. - Lavatory Cabinet - 5 1/4" x 9 13/16" w/o Hardware
	031319-01-701	EA	Door Asm. - Lavatory Cabinet - 26 1/2" x 9 1/16" w/o Hardware
	031475-02-700	EA	Door Asm. - Bathroom - 17 7/8" x 68" w/o Hardware
	024709-01-000	EA	Bathtub Asm. - White Plastic w/o Faucet or Drain
	011057-01-000	EA	Faucet - Lavatory and Shower
	011086-01-000	EA	Strainer - Shower Pan
	011056-01-000	EA	Faucet - Lavatory
	011083-01-000	EA	Plug - Chain w/Stopper - Lavatory
	009134-01-000	EA	Holder - Tissue
	011060-01-000	EA	Showerhead - w/40" Hose
	009133-02-000	EA	Bar - Towel Rack - 15" Plastic w/o Brackets
	023449-01-000	EA	Support - Towel Rack - Chrome - (2 Required Per Bar)
**	033327-01-000	EA	Toilet - Electra Magic w/o Seat and Lid
**	039341-01-000	EA	Toilet - Aqua Magic Model SH - White - w/o Seat and Lid

** The illustrated parts breakdown for this item is provided on the Common Items Fiche.

CHASSIS GROUP (CONTINUED)



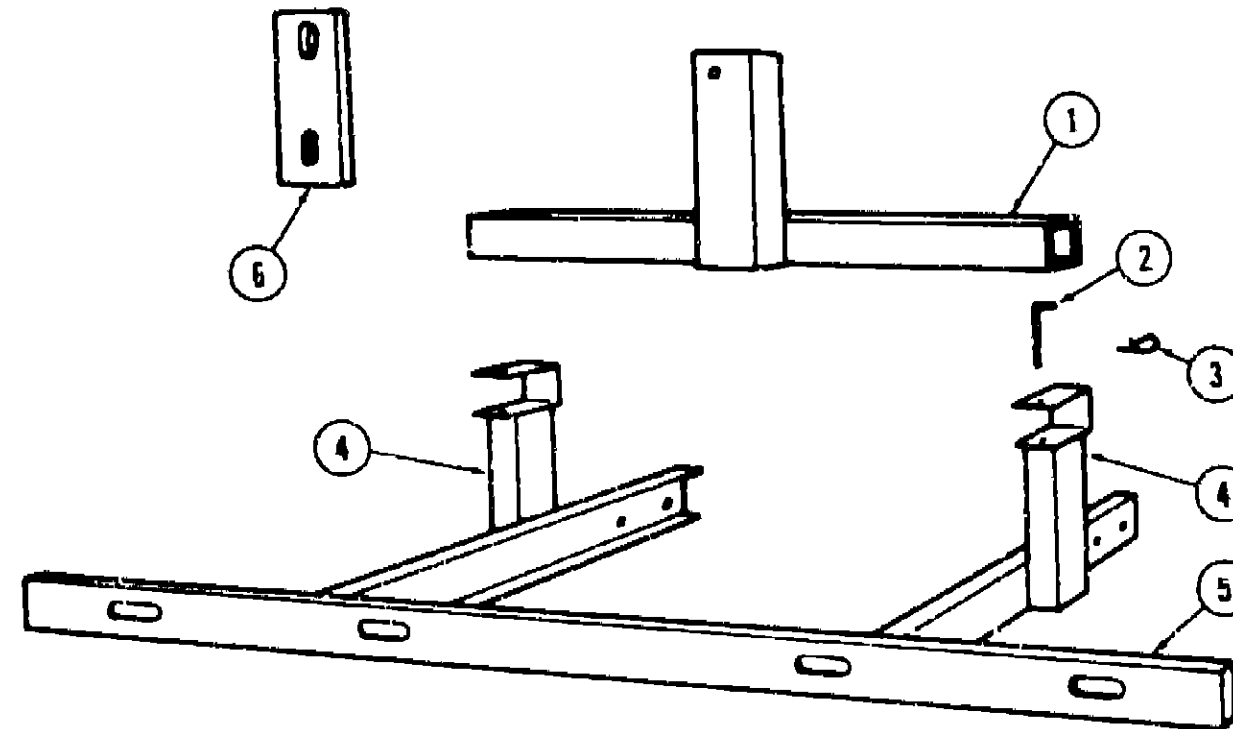
Key	Part Number	U/M	Description
1	023695-01-700	EA	Hitch Asm. - Trailer Kit - w/Drawbar
2	034512-01-000	EA	Pin - Locking - Drawbar
3	024876-01-000	EA	Drawbar Asm. - Trailer Hitch
4	034513-01-000	EA	Pin - Hitch - 3/16" Wire

1975 WINNEBAGO TABLE OF CONTENTS

Introduction	A-1
Abbreviations	A-1
Alphabetical Index	A-2 - A-4
D25C	A-5 - B-14
D25CL	B-15 - C-24
D27C	D-1 - E-10
D27CL	E-11 - F-20
D29CURB	F-21-H-6
D27CU	H-7 - I-18
D27CUL	I-19 - K-6
D25CU	K-7 - L-18

CHASSIS GROUP

Key	Part Number	U/M	Description
	007263-01-000	EA	Bumper - Center Section - Front - Chrome
	007265-01-000	EA	Bumper - Outer Sections - Front - Chrome
	023496-01-000	EA	Bracket - Bumper - Front
	023520-04-000	EA	Bar - Bumper - Black - Right or Left
	022534-01-000	EA	Guard Asm. - Front Bumper - Right
	022535-01-000	EA	Guard Asm. - Front Bumper - Left
	021598-01-000	EA	Bumper - Center Section - Rear - Chrome
	007265-01-000	EA	Bumper - Outer Sections - Rear - Chrome
	022531-01-000	EA	Bumper - Slotted Rear - Reinforcement
	007269-01-000	EA	Guard - Bumper - Chrome - Rear
	014909-01-000	EA	Shroud - Fuel Fill - Double - Black Plastic
	015253-01-000	EA	LP Compartment - 40 lb. - Black Plastic
	013362-01-000	EA	Compartment - Power Cord - Black Plastic
	023770-01-000	EA	Wheel Well - Plastic
	038882-01-000	EA	Tank - Fuel - 27.8 Gallon
	038883-01-000	EA	Sending Unit - Fuel - 78 Ohm
	017568-01-000	EA	Strap - Mounting - Fuel Tank
	024141-01-000	FT	Hose - Rubber - 1/2" I.D.
	007063-01-000	FT	Hose - Gas - 1/4" I.D. x 1/2" O.D.
	007138-01-000	EA	Clamp - Hose - 1/4" to 3/4" Dia.
	024138-01-000	FT	Hose - Fuel - 5/16" I.D.
	007111-01-000	FT	Hose - Fuel - 2 1/4" I.D.
	024591-02-000	EA	Gas - Fill - w/Vent - 4.5"
	024611-02-000	EA	Cap - Gas - Pressure - 1.5" - Chrome
	007131-01-000	EA	Hanger - Tailpipe
	007143-01-000	EA	Tailpipe - Curved - 2 1/2" x 16"
	007269-01-000	EA	Bracket - License
	033386-02-029	EA	Tie Down - Battery - Steel
	020275-01-000	EA	Bracket - Tie Down - Short Battery Box
	021276-01-000	EA	Tray - Battery - Steel
	022870-01-000	EA	Support - Roll Bar
	019193-01-000	EA	Cover Asm. - Radiator
	017740-01-000	EA	Hood Board - Steel - Front - Left
	017201-01-000	EA	Hood Board - Steel - Front - Right



Key	Part Number	U/M	Description
1	016924-01-000	EA	Mounting Asm. - Tube Tire Carrier
2	005522-01-000	EA	Pin - Hitch - 5/32" Wire
3	015365-01-000	EA	Pin - Tire Carrier
4	021616-02-000	EA	Bracket - Tire Carrier - Left
4	021616-03-000	EA	Bracket - Tire Carrier - Right
5	046043-05-000	EA	Bracket Asm. - Bumper
6	040974-02-000	EA	Retaining Bar - Spare Tire

1975 D27C INDEX

Floor Plan	D-1 - D-2
Accessories Group	D-3 - D-4
Bath Group	D-5
Chassis Group	D-5 - D-6
Curtain, Cushion & Pad Group	D-7 - D-10
Dinette Group	D-11
Driver's Compartment Group	D-11 - D-12
Electrical Group	D-13 - D-14
Exterior Body Group	D-15 - D-18
Galley Group	D-19
Heating & Air Conditioning Group	D-20
Interior Finish Group	D-21 - D-22
LP Group	D-23
Lounge Group	D-23
Water & Sewage Group	D-24
Window, Vent & Exterior Door Group	E-1 - E-10

CURTAIN, CUSHION AND PAD GROUP

CURTAINS

Key	Part Number	U/M	Description
	041143-53-000	EA	Curtain - Overdrape - Right - 25" x 45" - Green
	041143-54-000	EA	Curtain - Overdrape - Right - 25" x 45" - Gold
	041143-55-000	EA	Curtain - Overdrape - Right - 25" x 45" - Brown
	041144-53-000	EA	Curtain - Overdrape - Left - 25" x 45" - Green
	041144-54-000	EA	Curtain - Overdrape - Left - 25" x 45" - Gold
	041144-55-000	EA	Curtain - Overdrape - Left - 25" x 45" - Brown
	040406-02-000	EA	Curtain - Underdrape - 25" x 45" - Ivory
	041243-03-000	EA	Curtain - Wraparound - Right - 22 1/2" x 104" - Green
	041243-04-000	EA	Curtain - Wraparound - Right - 22 1/2" x 104" - Gold
	041243-05-000	EA	Curtain - Wraparound - Right - 22 1/2" x 104" - Brown
	041244-03-000	EA	Curtain - Wraparound - Left - 22 1/2" x 104" - Green
	041244-04-000	EA	Curtain - Wraparound - Left - 22 1/2" x 104" - Gold
	041244-05-000	EA	Curtain - Wraparound - Left - 22 1/2" x 104" - Brown
	033315-35-000	EA	Curtain - Privacy - 36" x 72" - Green
	033315-36-000	EA	Curtain - Privacy - 36" x 72" - Gold
	033315-34-000	EA	Curtain - Privacy - 36" x 72" - Brown
	033311-07-000	EA	Curtain - Blackout - 58" x 96" - Oxen Tan Vinyl

VALANCES AND SHADES

Key	Part Number	U/M	Description
	038328-13-000	EA	Valance w/Header - 6" x 50" - Green
	038328-14-000	EA	Valance w/Header - 6" x 80" - Gold
	038328-15-000	EA	Valance w/Header - 6" x 80" - Brown
	038328-16-000	EA	Valance w/Header - 6" x 50" - Green
	038328-17-000	EA	Valance w/Header - 6" x 50" - Gold
	038328-18-000	EA	Valance w/Header - 6" x 50" - Brown
	031816-01-000	EA	Shade - Roll Up - 27" x 38" Long - Off White - Entry Door
	031816-09-000	EA	Shade - Roll Up - 31.62" x 30" Long - Off White - Galley

TIE BACKS

Key	Part Number	U/M	Description
	031843-26-000	EA	Tie Back - Curtain - 18" - Green
	031843-27-000	EA	Tie Back - Curtain - 18" - Gold
	031843-28-000	EA	Tie Back - Curtain - 18" - Brown
	031843-08-000	EA	Tie Back - Curtain - 18" - Oxen Tan Vinyl

CURTAIN HARDWARE

Key	Part Number	U/M	Description
	020975-01-000	EA	Track - Curtain - Wraparound - "L" Rod Alum - Right
	020976-01-000	EA	Track - Curtain - Wraparound - "L" Rod Alum - Left
	018031-42-000	EA	Track - Curtain - "L" Rod Alum. - 89"
	009701-01-000	EA	Carrier - Curtain - "L" Rod w/Rollers
	009702-01-000	EA	End Stop - Curtain - Track - "L" Rod
	052327-04-236	EA	Track - Curtain - Alum. - 89" - Brown (Replaces 009108-01-000 Marine Track)
	009107-01-000	EA	Carrier - Snap - Curtain
	009220-01-000	EA	Rod - Curtain - Flat - Extends 18" - 26"
	009223-01-000	EA	Rod - Curtain - Flat - Extends 32" - 51"
	009223-02-000	EA	Rod - Curtain - Flat - Extends 48" - 84"
	009217-01-000	EA	Bracket - Curtain Rod - Left and Right

CURTAIN, CUSHION AND PAD GROUP (CONTINUED)



Key	Part Number	U/M	Description
1	029130-01-000	EA	Socket - Snap Fastener - 7 x 5/8" (Tie Backs)
2	029155-01-000	EA	Cap - Snap - .156" Dia. x .17" Barrel (Tie Backs)
3	029156-01-000	EA	Socket - Snap Fastener (Tie Backs)
4	029092-01-000	EA	Stud - Nickel Finish (Curtains)
5	029093-01-000	EA	Eyelet - Nickel Finish (Curtains)

DINETTE CUSHIONS - BOX STYLE

Key	Part Number	U/M	Description
	031505-37-000	EA	Cushion - Dinette Back - Box Style - 14 1/4" x 38" x 5" - Green
	031505-38-000	EA	Cushion - Dinette Back - Box Style - 14 1/4" x 38" x 5" - Gold
	031505-39-000	EA	Cushion - Dinette Back - Box Style - 14 1/4" x 38" x 5" - Brown
	031505-37-037	EA	Cover - Cushion - Dinette Back - Box Style - 14 1/4" x 38" x 5" - Green
	031505-38-038	EA	Cover - Cushion - Dinette Back - Box Style - 14 1/4" x 38" x 5" - Gold
	031505-39-039	EA	Cover - Cushion - Dinette Back - Box Style - 14 1/4" x 38" x 5" - Brown
	031505-40-000	EA	Cushion - Dinette Bottom - Box Style - 21 3/4" x 38" x 5" - Green
	031505-41-000	EA	Cushion - Dinette Bottom - Box Style - 21 3/4" x 38" x 5" - Gold
	031505-42-000	EA	Cushion - Dinette Bottom - Box Style - 21 3/4" x 38" x 5" - Brown
	031505-40-040	EA	Cover - Cushion - Dinette Bottom - Box Style - 21 3/4" x 38" x 5" - Green
	031505-41-041	EA	Cover - Cushion - Dinette Bottom - Box Style - 21 3/4" x 38" x 5" - Gold
	031505-42-042	EA	Cover - Cushion - Dinette Bottom - Box Style - 21 3/4" x 38" x 5" - Brown

DINETTE CUSHIONS - WRAPAROUND STYLE

Key	Part Number	U/M	Description
	039931-12-000	EA	Cushion - Dinette Back - Wraparound Style - 14 1/4" x 38" x 5" - Green
	039931-13-000	EA	Cushion - Dinette Back - Wraparound Style - 14 1/4" x 38" x 5" - Gold
	039931-14-000	EA	Cushion - Dinette Back - Wraparound Style - 14 1/4" x 38" x 5" - Brown
	039931-12-012	EA	Cover - Cushion - Dinette Back - Wraparound Style - 14 1/4" x 38" x 5" - Green
	039931-13-013	EA	Cover - Cushion - Dinette Back - Wraparound Style - 14 1/4" x 38" x 5" - Gold
	039931-14-014	EA	Cover - Cushion - Dinette Back - Wraparound Style - 14 1/4" x 38" x 5" - Brown
	039931-09-000	EA	Cushion - Dinette Bottom - Wraparound Style - 21 3/4" x 38" x 5" - Green
	039931-10-000	EA	Cushion - Dinette Bottom - Wraparound Style - 21 3/4" x 38" x 5" - Gold
	039931-11-000	EA	Cushion - Dinette Bottom - Wraparound Style - 21 3/4" x 38" x 5" - Brown
	039931-09-009	EA	Cover - Cushion - Dinette Bottom - Wraparound Style - 21 3/4" x 38" x 5" - Green
	039931-10-010	EA	Cover - Cushion - Dinette Bottom - Wraparound Style - 21 3/4" x 38" x 5" - Gold
	039931-11-011	EA	Cover - Cushion - Dinette Bottom - Wraparound Style - 21 3/4" x 38" x 5" - Brown

MATTRESSES

Key	Part Number	U/M	Description
	031503-17-000	EA	Mattress - Flexsteel Bunk - 42" x 81 1/4" x 4" - Green
	031503-18-000	EA	Mattress - Flexsteel Bunk - 42" x 81 1/4" x 4" - Gold
	031503-19-000	EA	Mattress - Flexsteel Bunk - 42" x 81 1/4" x 4" - Brown
	031512-01-000	EA	Mattress - 3 Fold - 41" x 89" x 2" (Mattress Ticking)

1975 WINNEBAGO TABLE OF CONTENTS

Introduction	A-1
Abbreviations	A-1
Alphabetical Index	A-2 - A-4
D25C	A-5 - B-14
D25CL	B-15 - C-24
D27C	D-1 - E-10
D27CL	E-11 - F-20
D29CURB	F-21 - H-6
D27CU	H-7 - I-18
D27CUL	I-19 - K-6
D25CU	K-7 - L-16

1975 D27C INDEX

Floor Plan	D-1 - D-2
Accessories Group	D-3 - D-4
Bath Group	D-5
Chassis Group	D-5 - D-6
Curtain, Cushion & Pad Group	D-7 - D-10
Dinette Group	D-11
Driver's Compartment Group	D-11 - D-12
Electrical Group	D-13 - D-14
Exterior Body Group	D-15 - D-18
Galley Group	D-19
Heating & Air Conditioning Group	D-20
Interior Finish Group	D-21 - D-22
LP Group	D-23
Lounge Group	D-23
Water & Sewage Group	D-24
Window, Vent & Exterior Door Group	E-1 - E-10

CURTAIN, CUSHION AND PAD GROUP (CONTINUED)

LOUNGE CUSHIONS AND BOLSTERS

Key	Part Number	U/M	Description
	038779-01-000	EA	Skirt - Rear Lounge - 76" - Green
	038779-02-000	EA	Skirt - Rear Lounge - 76" - Gold
	038779-03-000	EA	Skirt - Rear Lounge - 76" - Brown
	031516-19-000	EA	Cushion - Twin Bed - Boxing Style - 30" x 76" x 5" - Green
	031516-20-000	EA	Cushion - Twin Bed - Boxing Style - 30" x 76" x 5" - Gold
	031516-21-000	EA	Cushion - Twin Bed - Boxing Style - 30" x 76" x 5" - Brown
	038478-01-000	EA	Cushion - Bolster - Round - 9 1/2" x 30" - Green
	038478-02-000	EA	Cushion - Bolster - Round - 9 1/2" x 30" - Gold
	038478-03-000	EA	Cushion - Bolster - Round - 9 1/2" x 30" - Brown
	038478-01-001	EA	Cover - Cushion - Bolster - Round - 9 1/2" x 30" - Green
	038478-02-002	EA	Cover - Cushion - Bolster - Round - 9 1/2" x 30" - Gold
	038478-03-003	EA	Cover - Cushion - Bolster - Round - 9 1/2" x 30" - Brown
	039693-04-000	EA	Bedsread - Twin Bed - 76" - Green
	039693-05-000	EA	Bedsread - Twin Bed - 76" - Gold
	039693-06-000	EA	Bedsread - Twin Bed - 76" - Brown

BUCKET SEATS

Key	Part Number	U/M	Description
	033897-04-000	EA	Seat Asm. - Single Bucket w/o Slides, Armrests or Headrest w/Skirt - Green
	033897-05-000	EA	Seat Asm. - Single Bucket w/o Slides, Armrests or Headrest w/Skirt - Gold
	033897-06-000	EA	Seat Asm. - Single Bucket w/o Slides, Armrests or Headrest w/Skirt - Brown
	033975-04-000	EA	Cover Asm. - Single Bucket Seat - Back - Green
	033975-05-000	EA	Cover Asm. - Single Bucket Seat - Back - Gold
	033975-06-000	EA	Cover Asm. - Single Bucket Seat - Back - Brown
	033977-04-000	EA	Cover Asm. - Single Bucket Seat - Bottom - Green
	033977-05-000	EA	Cover Asm. - Single Bucket Seat - Bottom - Gold
	033977-06-000	EA	Cover Asm. - Single Bucket Seat - Bottom - Brown
	038645-01-000	EA	Skirt Asm. - Single Bucket Seat - Green
	038645-02-000	EA	Skirt Asm. - Single Bucket Seat - Gold
	038645-03-000	EA	Skirt Asm. - Single Bucket Seat - Brown
	033902-04-000	EA	Seat Asm. - Double Bucket w/Skirt - w/o Armrests or Headrests - Green
	033902-05-000	EA	Seat Asm. - Double Bucket w/Skirt - w/o Armrests or Headrests - Gold
	033902-06-000	EA	Seat Asm. - Double Bucket w/Skirt - w/o Armrests or Headrests - Brown
	033983-04-000	EA	Cover Asm. - Double Bucket Seat - Back - Green
	033983-05-000	EA	Cover Asm. - Double Bucket Seat - Back - Gold
	033983-06-000	EA	Cover Asm. - Double Bucket Seat - Back - Brown
	033984-04-000	EA	Cover Asm. - Double Bucket Seat - Bottom - Green
	033984-05-000	EA	Cover Asm. - Double Bucket Seat - Bottom - Gold
	033984-06-000	EA	Cover Asm. - Double Bucket Seat - Bottom - Brown
	031133-01-000	EA	Protector - Bucket Seat - Back Corner - Brown Plastic

CURTAIN, CUSHION AND PAD GROUP (CONTINUED)

ARMRESTS AND HEADRESTS

Key	Part Number	U/M	Description
	033903-02-000	EA	Armrest Asm. - Right - Green
	033903-03-000	EA	Armrest Asm. - Right - Gold
	033903-04-000	EA	Armrest Asm. - Right - Brown
	033904-02-000	EA	Armrest Asm. - Left - Green
	033904-03-000	EA	Armrest Asm. - Left - Gold
	033904-04-000	EA	Armrest Asm. - Left - Brown
	033905-02-000	EA	Headrest Asm. - Green
	033905-03-000	EA	Headrest Asm. - Gold
	033905-04-000	EA	Headrest Asm. - Brown
	029038-01-000	EA	Clip - Retaining - Armrest - 3/8"
	029039-01-000	EA	Clip - Retaining - Armrest - 1/2"
	029136-01-000	EA	Grommet - Headrest Insert - Brown Nylon

PADS

Key	Part Number	U/M	Description
	023486-03-000	EA	Pad Asm. - Dinette Back Frame - 74" - Oxen Tan Vinyl
	031672-01-000	EA	Pad Asm. - Dinette Wall Panel - Oxen Tan Vinyl
	023631-02-000	EA	Button - Padded - 1/2" w/Nail - Oxen Tan Vinyl
	038777-01-000	EA	Cover Asm. - Toilet Seat - Green
	024953-04-000	EA	Cover Asm. - Toilet Seat - Gold
	038777-03-000	EA	Cover Asm. - Toilet Seat - Brown
	038778-01-000	EA	Skirt Asm. - Toilet Base - Green
	038778-02-000	EA	Skirt Asm. - Toilet Base - Gold
	038778-03-000	EA	Skirt Asm. - Toilet Base - Brown

FABRICS

Key	Part Number	U/M	Description
	037676-01-000	YD	Fabric - Upholstery - Green
	037676-02-000	YD	Fabric - Upholstery - Gold
	037676-03-000	YD	Fabric - Upholstery - Brown
	037677-01-000	YD	Fabric - Over Drapes - Green
	037677-02-000	YD	Fabric - Over Drapes - Gold
	037677-03-000	YD	Fabric - Over Drapes - Brown
	039174-01-000	YD	Fabric - Under Drapes - Ivory
	024918-02-000	YD	Fabric - Vinyl - Oxen Tan

**1975 WINNEBAGO
TABLE OF CONTENTS**

Introduction	A-1
Abbreviations	A-1
Alphabetical Index	A-2 - A-4
D25C	A-5 - B-14
D25CL	B-15 - C-24
D27C	D-1 - E-10
D27CL	E-11 - F-20
D29CURB	F-21-H-6
D27CU	H-7 - I-18
D27CUL	I-19 - K-6
D25CU	K-7 - L-16

1975 D27C INDEX

Floor Plan	D-1 - D-2
Accessories Group	D-3 - D-4
Bath Group	D-5
Chassis Group	D-5 - D-6
Curtain, Cushion & Pad Group	D-7 - D-10
Dinette Group	D-11
Driver's Compartment Group	D-11 - D-12
Electrical Group	D-13 - D-14
Exterior Body Group	D-15 - D-18
Galley Group	D-19
Heating & Air Conditioning Group	D-20
Interior Finish Group	D-21 - D-22
LP Group	D-23
Lounge Group	D-23
Water & Sewage Group	D-24
Window, Vent & Exterior Door Group	E-1 - E-10

DINETTE GROUP

Key	Part Number	U/M	Description
	024274-15-700	EA	Table Asm. - Dinette - Butcher Block w/o Hardware
	047842-01-000	EA	Leg Kit - Dinette Table - Brown
	047809-01-000	EA	Wall Mount Kit - Dinette Table - Brown
	031417-01-700	EA	Cabinet Asm. - Dinette Seat - Rear w/o Door or Hardware
	031418-01-700	EA	Cabinet Asm. - Dinette Seat - Front w/o Door or Hardware
	031417-01-701	EA	Door Asm. - Dinette Seat - Left or Right 14" x 11 3/4" w/o Hardware

DRIVER'S COMPARTMENT GROUP

DASH PANEL AND COMPONENTS

Key	Part Number	U/M	Description
	031623-01-000	EA	Dash Asm. - Chieftain - Complete w/Gauges and Switches
	022548-02-000	EA	Pad - Dash - Foam - Right - Oxen Tan
	023242-02-000	EA	Pad - Dash - Foam - Left - Oxen Tan
	022219-01-000	EA	Door - Glove Compartment
	009118-01-000	EA	Lock - Twist w/Nut
	023892-01-000	EA	Box - Glove Compartment - Black Fiberboard
	009066-01-000	EA	Hinge - Continuous - Alum. 1 1/16" x 72" - Plain
	034309-01-000	EA	Chain - Bead - Glove Box Door
	023834-01-000	EA	Panel - Knee Kick - (Bottom of Dash)
	024418-01-000	EA	Lamp Asm. - Map/Gauge
	007308-01-000	EA	Clock - Dash

DASH PANEL AND COMPONENTS

Key	Part Number	U/M	Description
	007037-01-000	EA	Lighter Asm. - Cigarette - 12 Volt
	007041-01-000	EA	Bezel - Cigarette Lighter
	023599-01-000	EA	Bezel - Entertainment Center - All Options
	024979-01-000	EA	Bezel - Entertainment Center - Lighter Only
	024760-01-000	EA	Bezel - Entertainment Center - Lighter, Clock, Radio and Fader
	007071-01-000	EA	Louver - Chrome - w/Chrome Wheel
	024990-01-000	EA	Outlet - Defroster - w/Swivel - 2" Tan
	024906-01-000	EA	Diffuser Case - Air Conditioning - 2 1/2" Black
	023020-01-000	EA	Lamp Asm. - Tell Tale
	031386-01-000	EA	Applique - Dash - Chieftain
	029044-01-000	EA	Louver Asm. - A/C Adjustable

DRIVER'S COMPARTMENT GROUP (CONTINUED)

DASH SWITCHES AND GAUGES

Key	Part Number	U/M	Description
	024466-01-000	EA	Switch - Rear Wiper
	024976-01-000	EA	Switch - Generator w/o Circuit Board
	024461-01-000	EA	Switch - Battery
	024463-01-000	EA	Switch - Blinker
	024464-01-000	EA	Switch - Washer
	024465-01-000	EA	Switch - Fuel
	024467-01-000	EA	Switch - Wiper
	024462-01-000	EA	Switch - Battery Condition
	024907-01-000	EA	Control Asm. - Heater - A/C 3-Speed
	031376-02-000	EA	Control Asm. - Heater - 2-Speed
	024459-01-000	EA	Gauge - Voltmeter
	024460-01-000	EA	Gauge - Vacuum
	031373-01-000	EA	Gauge - Auxiliary Fuel
	031035-01-000	EA	Gauge - Hourmeter

FRONT OVERHEAD BUNK CABINET

Key	Part Number	U/M	Description
	031471-03-700	EA	Cabinet - Glide Away - Overhead
	031471-03-701	EA	Door - Sliding - Glide Away - Overhead
	009148-01-000	EA	Fingerpull
	009785-01-000	FT	Track - Sliding Door - Upper - Dark Brown Plastic
	009785-01-000	FT	Track - Sliding Door - Lower - Dark Brown Plastic

MISCELLANEOUS DRIVER'S COMPARTMENT COMPONENTS

Key	Part Number	U/M	Description
	034800-01-000	EA	Cover - Motor - Plastic
	020763-01-000	EA	Seal - Motor Cover
	035022-01-000	FT	Tape - Windshield - 3/8" x 3/8" - Butyl
	039857-01-000	EA	Latch - Rubber - Draw Handle - 5 3/4" w/Strike - Motor Cover
	039855-01-000	EA	Latch - Rubber - Draw Handle - 3" w/Strike - Motor Cover
	033060-01-000	EA	Cable - Fresh Air - Bowden - 52"
	007278-01-000	EA	Mirror - Inside 4 1/2" x 9"
	009143-01-000	EA	Mirror - Inside 1/8" x 3.5" x 8" For Sunvisor
	022758-02-000	EA	Sunvisor Asm. - Right - Oxen Tan
	022759-02-000	EA	Sunvisor Asm. - Left - Oxen Tan
	041842-01-000	EA	Clip - Sunvisor Rod - Brown Plastic
	039067-01-000	EA	Pocket - Map - Oxen Tan
	031003-02-000	EA	Side Panel - Oxen Tan - Left
	031004-02-000	EA	Side Panel - Oxen Tan - Right
	041459-01-000	EA	Pedestal - Top - Single Seat
	041460-01-000	EA	Pedestal - Top - Double Seat
	041654-01-000	EA	Pedestal Base - Single and Double Seat - w/Tightener
	038832-01-000	EA	Rod - Seat Adjuster
	007223-01-000	EA	Adjuster Asm. - Seat w/Lock
	007227-01-000	EA	Adjuster Asm. - Seat w/o Lock
	007019-01-000	EA	Belt Asm. - Seat - 2" x 84" - Black
	041322-01-000	EA	Washer - Flat - 15/32" I.D. x 2 3/8" O.D. - Seat Belt
	023680-01-000	EA	Bracket - Seat Belt

1975 WINNEBAGO TABLE OF CONTENTS

Introduction	A-1
Abbreviations	A-1
Alphabetical Index	A-2 - A-4
D25C	A-5 - B-14
D25CL	B-15 - C-24
D27C	D-1 - E-10
D27CL	E-11 - F-20
D29CURB	F-21-H-6
D27CU	H-7 - I-18
D27CUL	I-19 - K-6
D25CU	K-7 - L-16

1975 D27C INDEX

Floor Plan	D-1 - D-2
Accessories Group	D-3 - D-4
Bath Group	D-5
Chassis Group	D-5 - D-6
Curtain, Cushion & Pad Group	D-7 - D-10
Dinette Group	D-11
Driver's Compartment Group	D-11 - D-12
Electrical Group	D-13 - D-14
Exterior Body Group	D-15 - D-18
Galley Group	D-19
Heating & Air Conditioning Group	D-20
Interior Finish Group	D-21 - D-22
LP Group	D-23
Lounge Group	D-23
Water & Sewage Group	D-24
Window, Vent & Exterior Door Group	E-1 - E-10

ELECTRICAL GROUP

BULBS

Key	Part Number	U/M	Description
	037935-01-000	EA	Bulb - 1157
	038010-01-000	EA	Bulb - 1143
	008103-01-000	EA	Bulb - 53
	008214-01-000	EA	Bulb - 67
	008215-01-000	EA	Bulb - 1003
	008216-01-000	EA	Bulb - 1034
	008217-01-000	EA	Bulb - 1071
	008218-01-000	EA	Bulb - 1141
	008219-01-000	EA	Bulb - 656
	008220-01-000	EA	Bulb - 12 Volt - 25 Watt
	036196-01-000	EA	Bulb - 194
	700020-01-000	EA	Bulb - 12 Volt - 20 Watt 1383
	008213-01-000	EA	Bulb - 57

EXTERIOR LIGHTS

Key	Part Number	U/M	Description
	008089-01-000	EA	Light - Porch - Recessed
	039865-01-000	EA	Lens - Clearance Light - Round - Amber
	039865-01-000	EA	Lens - Clearance Light - Round - Red
	033562-01-000	EA	Light - Clearance - Amber - Oval w/Ground - 2-Bulb
	033748-01-000	EA	Light - Clearance - Amber - Oval w/Ground - 1 Bulb
	033748-02-000	EA	Light - Clearance - Red - Oval w/Ground - 1 Bulb
	031054-02-000	EA	Lamp Asm. - Tail - Left - Beige
	031054-01-701	EA	Lens - Tail Lamp - Left
	031055-02-000	EA	Lamp Asm. - Tail - Right - Beige
	031055-01-700	EA	Lens - Tail Lamp - Right

INTERIOR LIGHTS

Key	Part Number	U/M	Description
	007309-01-000	EA	Light - Step well
	008114-01-000	EA	Light - Dome 12V
	024473-01-000	EA	Light - Aircraft - 1 Bulb - Gold
	033508-01-000	EA	Light - Dome - 1 Bulb
	033509-01-000	EA	Light - Dome - 2 Bulb
	024642-01-701	EA	Lens - Dome Light - 1 Bulb
	024643-01-701	EA	Lens - Dome Light - 2 Bulb
	039859-01-000	EA	Lighter - w/Night Light and Wall Plate

FUSES AND CIRCUIT BREAKERS

Key	Part Number	U/M	Description
	008233-01-000	EA	Fuse - 12 Volt - 6 Amp
	008234-01-000	EA	Fuse - 12 Volt - 10 Amp
	008235-01-000	EA	Fuse - 12 Volt - 15 Amp
	008236-01-000	EA	Fuse - 12 Volt - 20 Amp
	008248-01-000	EA	Fuse - 12 Volt - 30 Amp
	008278-01-000	EA	Fuse - 12 Volt - 9 Amp
	008251-01-000	EA	Fuse Holder - Black - Screw Type
	008212-01-000	EA	Circuit Breaker - 12 Volt - 5 Amp
	008208-01-000	EA	Circuit Breaker - 12 volt - 40 Amp
	033573-01-000	EA	Circuit Breaker - 12 Volt - 20 Amp
	008268-01-000	EA	Circuit Breaker - 12 Volt - 30 Amp

ELECTRICAL GROUP (CONTINUED)

WINDSHIELD WIPER AND WASHER

Key	Part Number	U/M	Description
	007029-01-000	EA	Washer Asm. - Electric - Front
	007191-01-000	EA	Washer Asm. - Electric - Rear
	037999-01-000	EA	Motor Asm. - Windshield Wiper
	037998-01-000	EA	Link Asm. - Connecting - 22.40" Long
	038000-01-000	EA	Blade - Windshield Wiper - 16"
	038001-01-000	EA	Shaft and Pivot Asm. - 2.25" Arm
	037997-01-000	EA	Arm - Windshield Wiper - 15"
	700073-05-000	EA	Pump and Cover Asm. - (Washer)
	700073-02-000	EA	Washer Nozzle Hardware Package - Front

WIRE, SWITCHES AND RECEPTACLES

Key	Part Number	U/M	Description
	006024-01-000	FT	Wire - 18.5 Bonded - Orange/White/Yellow/Blue/Brown
	006025-01-000	FT	Wire - 18.5 Bonded - Orange/White/Yellow/Blue/Green
	006028-01-000	FT	Wire - 18.5 Bonded - Blue/Red/Yellow/Orange/White
	006032-01-000	FT	Wire - 18.4 Bonded
	006195-01-000	EA	Switch - Push Button 12 Volt
	006077-01-000	EA	Plaque - Compressor Switch
	006054-01-000	EA	Cord - Power - 10-3 30 Amp 25' - UL
	006058-01-000	EA	Adaptor - Power Cord
	024924-01-000	EA	Receptacle - Power Cord w/Plate
	008157-01-000	EA	Receptacle - Duplex - Brown
	047351-01-000	EA	Receptacle - Ground Fault Interrupter - 125 Volt - Black
	024571-01-000	EA	Coverplate - Receptacle - Jumbo Steel Brown
	008162-01-000	EA	Switch - Double Toggle - Spade Brown
	008163-01-000	EA	Switch - Toggle Brown
	038164-01-000	EA	Coverplate - Switch - Single - Plastic - Brown

MISCELLANEOUS ELECTRICAL COMPONENTS

Key	Part Number	U/M	Description
	039859-01-000	EA	Lighter w/Night Light and Wall Plate
	046775-01-000	EA	Valve Asm. - Fuel Change Over
	008188-01-000	EA	Solenoid - Dual Battery - Relay
	047389-01-000	EA	Battery - 12 Volt - 105 Amp. Deep Cycle - Dry
	047338-01-000	EA	Isolator - Dual Battery
	024417-01-000	EA	Panel - Control - Water/Double Sewage - Wemac
	011024-01-000	EA	Sending Unit - Water Tank - 5-Wire
	039861-01-000	EA	Sending Unit Kit - Wemac

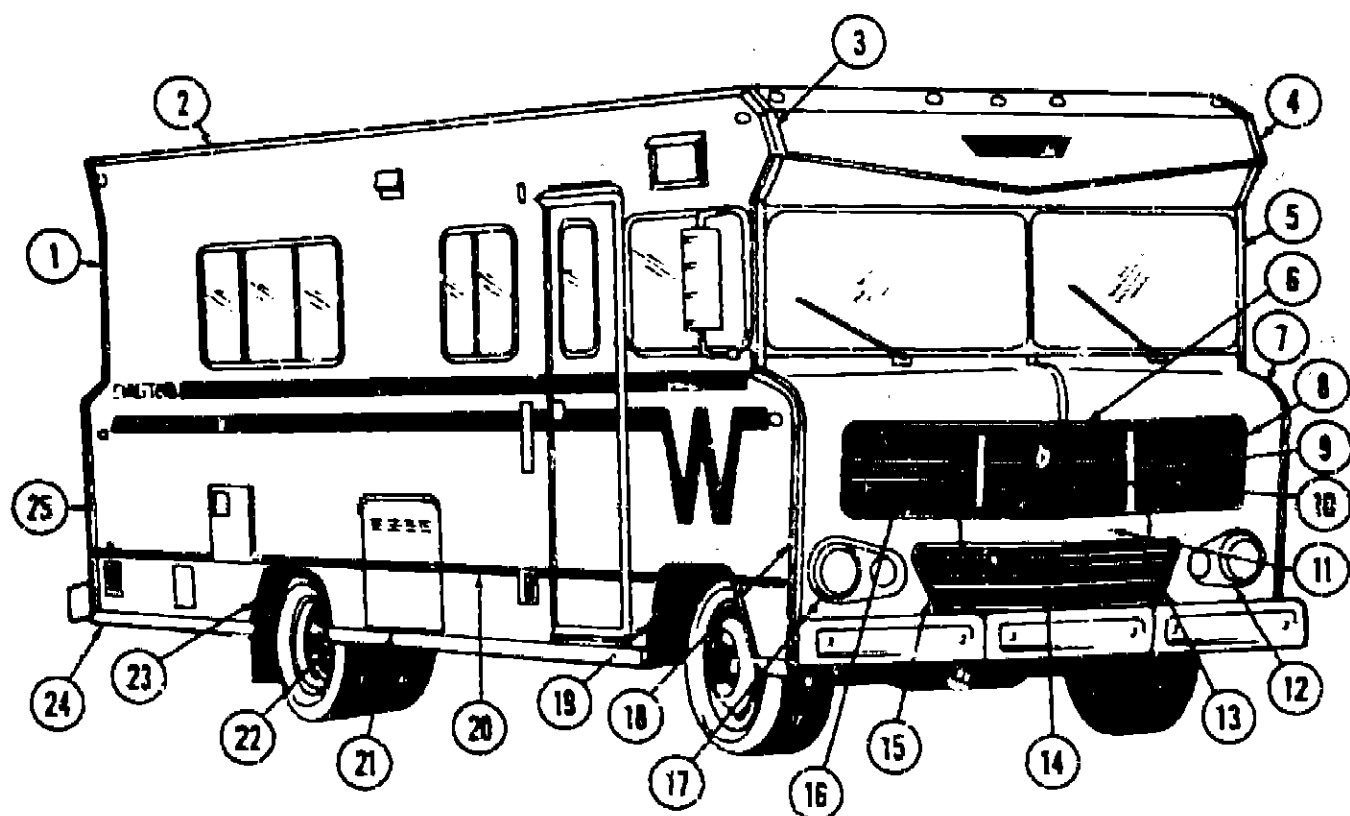
1975 WINNEBAGO TABLE OF CONTENTS

Introduction	A-1
Abbreviations	A-1
Alphabetical Index	A-2 - A-4
D25C	A-5 - B-14
D25CL	B-15 - C-24
D27C	D-1 - E-10
D27CL	E-11 - F-20
D29CURB	F-21-H-6
D27CU	H-7 - I-18
D27CUL	I-19 - K-6
D25CU	K-7 - L-16

1975 D27C INDEX

Floor Plan	D-1 - D-2
Accessories Group	D-3 - D-4
Bath Group	D-5
Chassis Group	D-5 - D-6
Curtain, Cushion & Pad Group	D-7 - D-10
Dinette Group	D-11
Driver's Compartment Group	D-11 - D-12
Electrical Group	D-13 - D-14
Exterior Body Group	D-15 - D-18
Galley Group	D-19
Heating & Air Conditioning Group	D-20
Interior Finish Group	D-21 - D-22
LP Group	D-23
Lounge Group	D-23
Water & Sewage Group	D-24
Window, Vent & Exterior Door Group	E-1 - E-10

EXTERIOR BODY GROUP



1975 WINNEBAGO TABLE OF CONTENTS

Introduction	A-1
Abbreviations	A-1
Alphabetical Index	A-2 - A-4
D25C	A-5 - B-14
D25CL	B-15 - C-24
D27C	D-1 - E-10
D27CL	E-11 - F-20
D29CURB	F-21-H-6
D27CU	H-7 - I-18
D27CUL	I-19 - K-6
D25CU	K-7 - L-16

Key	Part Number	U/M	Description
1	021213-03-000	EA	Trim - Contour - Right Rear - Upper - Beige
2	020965-03-000	EA	Trim - Contour - Left Rear - Upper - Beige
2	009717-02-002	EA	Extr. - Awning Rail - 19'
3	020400-04-000	EA	Trim - Contour - Right Front - Upper - Beige
4	020399-04-000	EA	Trim - Contour - Left Front - Upper - Beige
5	017748-04-000	EA	Frame Asm. - Windshield w/o Glass - Beige
6	024764-02-000	EA	Trim - Upper Grille - Top or Bottom
7	020522-04-000	EA	Trim - Contour - Lower Front - Left - Beige
8	024763-02-000	EA	Trim - Upper Grille - Side - Left or Right
9	033365-01-000	EA	Grille Asm. - Upper Left
10	033366-01-000	EA	Grille Asm. - Upper Center
11	020818-02-000	EA	Hood Asm. - Center - Beige
12	023671-04-000	EA	Bezel - Headlight - Left - Beige Plastic
13	024748-02-000	EA	Trim - Lower Grille - Left Side
14	033368-01-000	EA	Grille Asm. - Lower
15	024748-01-000	EA	Trim - Lower Grille - Right Side
16	040876-01-000	EA	Grille Asm. - Upper - Right
17	023671-03-000	EA	Bezel - Headlight - Right - Beige Plastic
18	020521-04-000	EA	Trim - Contour - Lower Front - Right - Beige
19	024427-02-000	EA	Trim - Wheelwell - Front - Left or Right

Key	Part Number	U/M	Description
20	002444-02-003	EA	Extr. - Anod. - Feature Strip - 15'
	001031-01-003	EA	Insert - Feature Strip - Black Alum. - 21'
	009731-01-000	EA	Cap - Sidewall Trim - Feature Strip End
21	002939-02-002	EA	Extr. - Anod. - Rocker Panel - 18'
22	006068-01-000	EA	Plug - Wheelwell - Right - Rocker Panel
	006067-01-000	EA	Plug - Wheelwell - Left - Rocker Panel
23	013834-02-000	EA	Trim - Wheelwell - Rear - Left or Right
24	006083-01-000	EA	Plug - Rocker Panel End - Right Rear or Left Front
	006082-01-000	EA	Plug - Rocker Panel End - Right Front or Left Rear
25	015251-04-000	EA	Trim - Contour - Lower - Right Rear - Beige
	015252-04-000	EA	Trim - Contour - Lower - Left Rear - Beige
	024585-01-000	EA	Stop Asm. - Grille Door
	021497-01-000	EA	Latch Asm. - Grille
	024582-02-000	EA	Trim - Roof - Front Center - Beige
	020797-02-000	EA	Trim - Grille - 35.56"
	024767-02-000	EA	Trim - Grille - Lower - 19.88"
	023707-03-000	EA	Panel Asm. - Hoodboard - Right - Beige
	023707-04-000	EA	Panel Asm. - Hoodboard - Left - Beige
	002776-02-001	EA	Extr. - Anod. - U-Channel - Serrated - 1 3/4" x 16'
	002779-02-001	EA	Extr. - Anod. - U-Channel - Ribbed - 1 3/4" x 16'
	002754-02-001	EA	Extr. - Anod. - Angle - 3/4" x 3/4" x 18'
	002365-02-001	EA	Extr. - Anod. - U-Channel - 1" Serrated - 18'
	Not Illustrated		

1975 D27C INDEX

Floor Plan	D-1 - D-2
Accessories Group	D-3 - D-4
Bath Group	D-5
Chassis Group	D-5 - D-6
Curtain, Cushion & Pad Group	D-7 - D-10
Dinette Group	D-11
Driver's Compartment Group	D-11 - D-12
Electrical Group	D-13 - D-14
Exterior Body Group	D-15 - D-18
Galley Group	D-19
Heating & Air Conditioning Group	D-20
Interior Finish Group	D-21 - D-22
LP Group	D-23
Lounge Group	D-23
Water & Sewage Group	D-24
Window, Vent & Exterior Door Group	E-1 - E-10

EXTERIOR BODY GROUP (CONTINUED)

EXTERIOR BODY PANELS AND SHEET ALUMINUM

Key	Part Number	U/M	Description
	033698-01-000	EA	Back Wall Asm.
	031235-01-000	EA	Roof Asm.
	031235-01-700	EA	Roof Section - Windshield to First Seam
	039155-02-008	EA	Alum. - Beige Mesa Design - .024" x 36" x 60"
	039155-02-002	EA	Alum. - Beige Mesa Design - .024" x 36" x 300"
	039155-02-003	EA	Alum. - Beige Mesa Design - .024" x 36" x 360"
	039155-02-007	EA	Alum. - Beige Mesa Design - .024" x 48" x 60"
	039155-02-005	EA	Alum. - Beige Mesa Design - .024" x 48" x 300"
	039155-02-006	EA	Alum. - Beige Mesa Design - .024" x 48" x 360"
	039155-02-009	EA	Alum. - Beige Mesa Design - .024" x 12" x 360"
	028545-01-000	EA	Alum. - Beige Greyhound - 48" x 96"
	001018-01-024	EA	Alum. - Beige - No Design - 48" x 96"
	000868-01-000	BF	Styrofoam - 3/4" x 24" x 96"
	000870-01-000	BF	Styrofoam - 1 1/2" x 24" x 96"

EXTERIOR PAINT

Key	Part Number	U/M	Description
	044486-01-000	EA	Paint - Beige - Acrylic Enamel - 1 Gallon
	044486-03-000	EA	Paint - Beige - Acrylic Enamel - 16 oz. Aerosol
	044486-04-000	EA	Paint - Beige - Acrylic Lacquer - 1 Gallon
	041567-01-000	EA	Paint - Rally Gold - Acrylic Enamel - 1 Gallon
	041567-03-000	EA	Paint - Rally Gold - Acrylic Enamel - 15 oz. Aerosol
	041568-01-000	EA	Paint - Antique Bronze Metallic - Acrylic Enamel - 1 Gallon
	041568-03-000	EA	Paint - Antique Bronze Metallic - Acrylic Enamel - 16 oz. Aerosol

LABELS AND DECALS

Key	Part Number	U/M	Description
	006001-01-000	EA	Nameplate - Plastic - Winnebago - Chrome
	006010-01-000	EA	Decal - Winnebago - Brown/Chrome
	006023-01-000	EA	Label - Water Only
	006025-01-000	EA	Label - Gas
	006031-01-000	EA	Label - Potable Water Only
	006040-01-000	EA	Tag - Gas Refueling Warning
	006187-01-000	EA	Label - Sewage
	006188-01-000	EA	Label - Waste Water
	006199-01-000	EA	Label - Exit - Escape Hatch
	006210-01-000	EA	Stencil - Chieftain - Left
	006211-01-000	EA	Stencil - Chieftain - Right
	006028-01-000	EA	Label - Drain Cap - 2" x 3"
	008092-01-000	EA	Reflector - Stick On - Rectangular - Red
	008093-01-000	EA	Reflector - Stick On - Rectangular - Amber

EXTERIOR BODY GROUP (CONTINUED)

SEALANTS ADHESIVES AND FASTENERS

Key	Part Number	U/M	Description
	034552-05-000	EA	Sealant - Off White Silicone
	034552-04-000	EA	Sealant - Beige Silicone
	034552-02-000	EA	Sealant - Clear Silicone
	004346-02-000	EA	Sealant - Aluminum Silicone
	004349-01-000	EA	Sealant - Black Silicone
	004342-01-000	EA	Sealant - Weatherban 202 Tube
	004346-02-000	EA	Sealant - White Silicone
	002316-01-000	FT	Sealer Tape - 3/32" x 3/8" - White
	024545-01-000	FT	Sealer Tape - 1/8" x 5/3" - Black
	004350-01-000	FT	Sealer Tape - 1/8" x 1" - Formaseal
	004352-01-000	FT	Sealer Tape - 1/8" x 3/4" - Formaseal
	004355-01-000	FT	Sealer Tape - 1/8" x 5/8" - Black
	004357-01-000	FT	Sealer Tape - 1/8" x 5/8" - Adhesive
	002707-02-000	FT	Sealer Tape - 5/16" x 1/2"
	002707-01-000	FT	Sealer Tape - 5/16" x 3/4" - Black Foam
	002708-01-000	FT	Sealer Tape - 5/16" x 1/2"
	004363-01-000	FT	Sealer Tape - 3/16" x 1/2" - Foam
	004362-01-000	FT	Sealer Tape - 1/8" x 5/8" - Foam
	009200-01-000	EA	Tape - Furnace - 1 1/2"
	041839-01-000	FT	Tape - Window Latch - 3/4" - Adhesive
	041839-02-000	FT	Tape - Window Latch - 1/2" - Adhesive
	004353-01-000	FT	Tape - Gasket - 1/8" x 3/4" - White
	002825-01-000	FT	Weather Stripping - Roof Vent
	002337-01-000	FT	Adhesive - 3M - 1300 Tube
	004005-01-000	GL	Adhesive - Swifts - Green Glue (Sidewalls)
	004012-01-000	EA	Adhesive - 3M - 4475 Tube
	004020-01-000	QT	Adhesive - ABS Cement (Plastic Fittings)
	029051-01-000	EA	Adhesive - Spray Vinyl
	042401-01-000	EA	Screw - 8-18 x 3/4" SDPH - Beige
	042403-01-000	EA	Screw - SF/DR 8-18 x 1" SDPH - Beige
	005081-01-000	EA	Screw - Wood - 12-11 x 3" P.O.H. Zinc

MISCELLANEOUS EXTERNALLY MOUNTED PARTS

Key	Part Number	U/M	Description
	016253-01-000	EA	Fuel Fill - Recessed - Single - Beige - 2 7/16" Hole Dia
	016253-02-000	EA	Fuel Fill - Recessed - Single - Beige - 2" Hole Dia
	015587-05-000	EA	Fuel Fill - Recessed - Double - Beige
	022620-02-000	EA	Water Fill - Recessed - Beige
	031564-03-000	EA	Handle - Assist - Recessed - Bronze
	011129-01-000	EA	Plumbing Seal - Roof - White 1 1/2"
	011124-01-000	EA	Plumbing Seal - Roof - White 1 1/4"
	022400-01-000	EA	Mirror - Outside - w/Convex - Stainless Steel
	700023-04-000	EA	Mirror - Convex - 6" x 4"

1975 WINNEBAGO TABLE OF CONTENTS

Introduction	A-1
Abbreviations	A-2
Alphabetical Index	A-2 - A-4
D25C	A-5 - B-14
D25CL	B-15 - C-24
D27C	D-1 - E-10
D27CL	E-11 - F-20
D29CURB	F-21 - H-6
D27CU	H-7 - I-18
D27CUL	I-19 - K-6
D25CU	K-7 - L-10

1975 D27C INDEX

Floor Plan	D-1 - D-2
Accessories Group	D-3 - D-4
Bath Group	D-5
Chassis Group	D-5 - D-6
Curtain, Cushion, & Pad Group	D-7 - D-10
Dinette Group	D-11
Driver's Compartment Group	D-11 - D-12
Electrical Group	D-13 - D-14
Exterior Body Group	D-15 - D-18
Galley Group	D-19
Heating & Air Conditioning Group	D-20
Interior Finish Group	D-21 - D-22
LP Group	D-23
Lounge Group	D-23
Water & Sewage Group	F-24
Window, Vent & Exterior Door Group	E-1 - E-10

GALLEY GROUP

Key	Part Number	U/M	Description
	031444-02-700	EA	Cabinet Asm. - Galley w/o Countertop, Drawers, Doors or Hardware
	031444-02-701	EA	Countertop Asm. - Galley w/Cutouts - Butcher Block
	031444-02-702	EA	Drawer Asm. - Galley Cabinet - 5 1/4" x 14 1/8" w/o Hardware
	031444-02-703	EA	Drawer Asm. - Galley Cabinet - 6 3/8" x 20 1/2" w/o Hardware
	031444-02-704	EA	Door Asm. - Galley Cabinet - 11 1/2" x 25 7/8" - Left or Right w/o Hardware
	011033-01-000	EA	Sink - Stainless Steel w/Bolts - Large/Small
	011054-01-000	EA	Faucet Asm. - Galley - Swivel w/Single Handle and Aerator
	011053-01-700	EA	Aerator - Swivel Faucet
	011085-01-000	EA	Strainer - Sink
	024584-01-000	EA	Towel Rack - Disappearing - 18"
	040435-01-000	EA	Extension - Countertop - Butcher Block w/Hardware
	009049-01-000	EA	Support - Drop Leaf Extension
	009059-01-000	EA	Hinge - 2" Gold - Drop Leaf Extension
**	034542-01-000	EA	Refrigerator - Winnebago - Two Door - W8
**	034544-01-000	EA	Refrigerator - Winnebago - Two Door - W7
**	034545-01-000	EA	Refrigerator - Winnebago - One Door - W6
**	003336-01-000	EA	Refrigerator - Dometic - One Door - RM66
**	003337-01-000	EA	Refrigerator - Dometic - Two Door - RM76
**	003016-01-000	EA	Range - Coleman Eyelevel - 2209C
**	046747-01-000	EA	Range - Coleman Eyelevel - 2209F
*	024669-01-000	EA	Hood - Range - Eyelevel Oven - Strawine
*	024669-01-700	EA	Filter - Range Hood - Eyelevel Oven - Strawine
			Not Illustrated

** The illustrated parts breakdown for this item is provided on the Common Items Fiche.

HEATING AND AIR CONDITIONING GROUP

EVANS AUTOMOTIVE HEATING AND AIR CONDITIONING

Key	Part Number	U/M	Description
	033922-01-000	EA	Evaporator - Air Conditioner
	033932-01-000	EA	Valve - Expansion
	033938-01-000	EA	Core - Heater
	035459-01-701	EA	Blower Asm. - 3 Speed w/Motor
	033926-01-000	EA	Cold Control
	035459-01-704	EA	Resistor - Evans Heater
	048217-01-000	EA	Switch - Fan - 3 Speed Evans
	033933-01-000	EA	Compressor - Auto Air - Evans
	033855-01-000	EA	Condenser - Radiator Mount - Evans
	033854-01-000	EA	Receiver Drier
	033934-01-000	EA	Clutch - Compressor - Evans
	048229-01-000	EA	Kit - Auto Air - 440 - Evans
**	003135-01-000	EA	Furnace - Coleman - 23,000 B.T.U. - 4023
**	003136-01-000	EA	Furnace - Coleman - 28,000 B.T.U. - 4028
**	003140-01-000	EA	Furnace - Coleman - 30,000 B.T.U. - 4030
**	041803-01-000	EA	Furnace - Coleman - 23,000 B.T.U. - 4225
**	041604-01-000	EA	Furnace - Coleman - 28,000 B.T.U. - 4230
**	041695-01-000	EA	Furnace - Coleman - 31,000 B.T.U. - 4235
**	003119-01-000	EA	Furnace - Suburban - 16,000 B.T.U. - NT16
**	034014-01-000	EA	Furnace - Lear Siegler - 32,000 B.T.U. - SRF32
**	003126-01-000	EA	Air Conditioner Asm. - Roof Mount - 10,000 BTU Mach I - Coleman w/o Inside Shroud
**	031880-01-000	EA	Air Conditioner Asm. - Roof Mount - 13,500 BTU Mach III - Coleman w/o Inside Shroud
**	049777-01-000	EA	Air Conditioner - Roof Mount - Ivory - 11,000 BTU Coleman - w/o Inside Shroud
**	049774-01-000	EA	Air Conditioner - Roof Mount - Ivory - 13,500 BTU Coleman - w/o Inside Shroud
**	041738-01-000	EA	Shroud Asm. - Air Conditioner - Inside Ceiling Cool Only - Mach I or Mach III
**	049778-01-000	EA	Shroud Asm. - Air Conditioner - Inside Ceiling Cool Only - 11,000 BTU - Ivory
**	049775-01-000	EA	Shroud Asm. - Air Conditioner - Inside Ceiling Cool Only, 13,500 BTU - Ivory
**	049776-01-000	EA	Shroud Asm. - Air Conditioner - Inside Ceiling Heat and Cool - 13,500 BTU - Ivory

** The illustrated parts breakdown for this item is provided on the Common Items Fiche.

1975 WINNEBAGO TABLE OF CONTENTS

Introduction	A-1
Abbreviations	A-1
Alphabetical Index	A-2 - A-4
D25C	A-5 - B-14
D25C1	B-15 - C-24
D27C	D-1 - E-10
D27CL	E-11 - F-20
D29CURB	F-21-H-6
D27CU	H-7 - I-18
D27CUL	I-19 - K-6
D25CU	K-7 - L-16

1975 D27C INDEX

Floor Plan	D-1 - D-2
Accessories Group	D-3 - D-4
Bath Group	D-5
Chassis Group	D-5 - D-6
Curtain, Cushion & Pad Group	D-7 - D-10
Dinette Group	D-11
Driver's Compartment Group	D-11 - D-12
Electrical Group	D-13 - D-14
Exterior Body Group	D-15 - D-18
Galley Group	D-19
Heating & Air Conditioning Group	D-20
Interior Finish Group	D-21 - D-22
LP Group	D-23
Lounge Group	D-23
Water & Sewage Group	D-24
Window, Vent & Exterior Door Group	E-1 - E-10

INTERIOR FINISH GROUP

PANELING AND COUNTERTOP MATERIALS

Key	Part Number	U/M	Description
	024944-01-000	SF	Panel - Aztec Gold Green - 48" x 96"
	024951-01-000	SF	Panel - Bath Wall - White
	024945-01-000	SF	Panel - Bath Wall - Dancing Daisies
	037681-01-000	SF	Panel - Burlwood - 48" x 96"
	024942-01-000	SF	Panel - 150 Cherry - 48" x 96"
	000726-02-000	EA	Batt Strip - 150 Cherry
	024944-02-000	SF	Panel - Aztec - Orange 48" x 96"
	000720-02-000	SF	Panel - White Stucco 45" x 92 3/4"
	037682-01-000	EA	Plastic Laminate - 48" x 96" - Butcher Block
	009814-06-000	FT	T-Molding - Tan - Butcher Block
	009814-05-000	FT	T-Molding - Brown

FABRICS AND CARPET

Key	Part Number	U/M	Description
	037676-01-000	YD	Fabric - Upholstery - Green
	037676-02-000	YD	Fabric - Upholstery - Gold
	037676-03-000	YD	Fabric - Upholstery - Brown
	037677-01-000	YD	Fabric - Drapes - Outer - Green
	037677-02-000	YD	Fabric - Drapes - Outer - Gold
	037677-03-000	YD	Fabric - Drapes - Outer - Brown
	039174-01-000	YD	Fabric - Drapes - Inner - Ivory
	024918-02-000	YD	Vinyl - Nonperforated - Oxen Tan
	037678-01-000	SY	Carpet - Green - Coral Palms 511
	037678-02-000	SY	Carpet - Gold - Coral Palms 511
	037678-03-000	SY	Carpet - Brown - Coral Palms 511

INTERIOR MOLDINGS AND TRIMS

Key	Part Number	U/M	Description
	009779-01-000	FT	U-Channel - 1 1/8" - Dark Brown
	002779-02-001	FT	Extrusion - U-Channel - 1 3/4" x 16"
	009778-01-000	FT	U-Channel - 1" Dark Brown
	009777-01-000	FT	U-Channel - Dark Brown
	009720-01-000	EA	Cover - Rollbar - White - 85.44"
	023221-01-000	EA	Cover - Corner - Rollbar
	034113-02-000	EA	Cover - Corner - Support Bar - Brown
	031575-01-000	EA	Cover - Support Bar - Right
	031575-02-000	EA	Cover - Support Bar - Left
	022756-01-000	EA	Cover - A/C - Plastic
	022755-01-000	EA	Cover - Control Panel - Plastic
	034689-01-000	EA	Cover - Screw - 10 PPH - Plastic - White
	009812-03-000	FT	Molding - Plastic - Outside Corner - 50"
	009781-01-000	FT	Molding - Outside Corner - 52" x .62" Brown
	009767-01-000	FT	Wetling - Brown
	009814-06-000	FT	T-Molding - Tan - Butcher Block
	009814-05-000	FT	T-Molding - Brown

INTERIOR FINISH GROUP (CONTINUED)

CURTAIN HARDWARE

Key	Part Number	U/M	Description
	052327-04-236	EA	Curtain Track - Alum. - Brown - 89" w/Holes
	009107-01-000	EA	Guide - Nylon - Snap - Curtain
	042439-01-000	EA	Bracket - Left or Right - Curtain Rod - Single
	049897-01-000	EA	Rod - Curtain - Flat Extension 25" - 45"
	037872-01-000	EA	Rod - Curtain - Double Flat Extension 48" - 84"
	037872-02-000	EA	Bracket - Curtain Rod - Double Flat Extension
	049897-02-000	EA	Rod - Curtain - Flat Extension 48" - 86"
	009702-01-000	EA	End Stop - Curtain "L" Rod w/Rollers
	009701-01-000	EA	Carrier w/Rollers - "L" Rod
	018031-42-000	EA	Track - Curtain - "L" Rod - Alum. 90"
	020438-01-000	EA	Track - Curtain - Left Front
	021495-01-000	EA	Track - Curtain - Right Front

CABINETS AND TABLE HARDWARE

Key	Part Number	U/M	Description
	043118-01-000	EA	Latch - Cabinet - Chieftain - Kit
	043117-01-000	EA	Hinge - 3/8" Inset - Century - Medieval Brass
	009015-03-000	EA	Catch - Squeeze - Brass
	009047-01-000	EA	Holder - Door - Overhead
	009150-01-000	EA	Warp Guard - 64"
	009068-01-000	EA	Hinge - Continuous - 1 1/2" x 72"
	009124-01-000	EA	Lock - Door - Pushbutton - Bathroom
	009112-01-000	EA	Fringe - 1" Rod - Chrome
	047842-01-000	EA	Kit - Dinette Table Leg
	047809-01-000	EA	Kit - Dinette Table Hardware - Wall Mount
	043116-01-000	EA	Pull - Drawer - Medieval Brass

MISCELLANEOUS

Key	Part Number	U/M	Description
	041944-01-700	EA	Extinguisher - Fire - w/Bracket - Dry
	006098-01-000	EA	Mirror - Inside - 1/8" x 9" x 16" - Beveled
	009096-01-000	EA	Mirror - Inside - 1/8" x 12" x 42" - Beveled
	009089-01-000	EA	Clip - Mirror - Plastic w/Screw
	007021-01-000	EA	Belt Asm. - Seat - 2" x 90" Black
	023680-01-000	EA	Bracket - Seat Belt

1975 WINNEBAGO TABLE OF CONTENTS

Introduction	A-1
Abbreviations	A-1
Alphabetical Index	A-2 - A-4
D25C	A-5 - B-14
D25CL	B-15 - C-24
D27C	D-1 - E-10
D27CL	E-11 - F-20
D29CURB	F-21-H-6
D27CU	H-7 - I-18
D27CUL	J-19 - K-6
D25CU	K-7 - L-16

1975 D27C INDEX

Floor Plan	D-1 - D-2
Accessories Group	D-3 - D-4
Bath Group	D-5
Chassis Group	D-5 - D-6
Curtain, Cushion & Pad Group	D-7 - D-10
Dinette Group	D-11
Driver's Compartment Group	D-11 - D-12
Electrical Group	D-13 - D-14
Exterior Body Group	D-15 - D-18
Galley Group	D-19
Heating & Air Conditioning Group	D-20
Interior Finish Group	D-21 - D-22
LP Group	D-23
Lounge Group	D-23
Water & Sewage Group	D-24
Window, Vent & Exterior Door Group	E-1 - E-10

LP GROUP

Key	Part Number	U/M	Description
	015253-01-000	EA	Compartment - LP - Black - Plastic
	008803-01-000	EA	Tank - LP - 40 Pound Vertical
	045703-01-000	EA	Hose Asm. - LP - 3/8" I.D. x 24"
	008815-01-000	EA	Regulator - LP - Automatic
	008820-01-000	EA	Hose Asm. - LP - 1/4" I.D. x 16" - Flexible
	015409-01-000	EA	Strap Asm. - LP Bottle

LOUNGE GROUP

Key	Part Number	U/M	Description
	031013-01-701	EA	Door Asm. - Twin Bed Cabinet - 14 1/8" x 11 3/4" w/o Hardware
	031013-01-700	EA	Cabinet Asm. - Right Twin Bed - 76" w/o Doors or Hardware
	031395-01-700	EA	Cabinet Asm. - Left Twin Bed - 76" w/o Doors or Hardware
	031174-02-700	EA	Cabinet Asm. - Rear Night Stand w/o Countertop Drawer or Hardware
	031174-02-701	EA	Countertop Asm. - Rear Night Stand - Butcher Block
	031174-02-702	EA	Drawer Asm. - Rear Night Stand - 20 1/2" x 6 3/8" w/o Hardware
	031557-02-700	EA	Cabinet Asm. - Right Night Stand w/o Countertop Drawer or Hardware
	031557-02-701	EA	Countertop Asm. - Right Night Stand
	031431-01-700	EA	Door Asm. - Left Rear Wardrobe Cabinet - 48 1/4" x 19 1/8" w/o Hardware
	031431-01-701	EA	Door Asm. - Left Rear Wardrobe Cabinet 13" x 18 3/8" w/o Hardware
	040361-01-700	EA	Door Asm. - Right Rear Wardrobe Cabinet 45 11/16" x 20 15/16" w/o Hardware

WATER AND SEWAGE GROUP

Key	Part Number	U/M	Description
	010201-01-000	EA	Hose - Sewer - 3" x 10' w/Clamp
	010205-01-000	EA	Valve - Sanitary - Thetford 3XB
	010234-01-000	EA	Bayonet - Sewer Hose - Plastic
	010235-01-000	EA	Cap - Sewage - 3" - Plastic
	010236-01-000	EA	Adapter - 3" Sewage Hose
	011066-01-000	EA	P-Trap - 1 1/4" Plastic
	011091-01-000	EA	Waste - Continuous - Double Sink - 11 7/8"
	011005-01-000	EA	Spout - Water Fill w/Gauge
	700066-01-000	EA	Gauge - Water Fill Spout
	016727-01-000	EA	Tank Asm. - Water - Galvanized - 27 Gallon
	011024-01-000	EA	Sending Unit - Water Tank - 5 Wire
	031434-01-000	EA	Tank Asm. - Holding - Main w/Fittings - Plastic
	014903-01-000	EA	Tank - Holding - Main w/o Fittings - Plastic
	039939-01-000	EA	Tank Asm. - Holding - Auxiliary w/Fittings - Plastic
	039338-01-000	EA	Tank - Holding - Auxiliary w/o Fittings - Plastic
	046524-01-000	EA	Kil - Fittings - Plastic Holding Tank
	023833-01-000	EA	Compressor - 12 Volt - Air - Water System
	023833-01-700	EA	Switch - Pressure - Air Compressor
	004020-01-000	QT	Cement - ABS - Plastic Pipe Fittings
**	051391-01-000	EA	Water Heater - Atwood Bowen - G6A2
**	031992-01-000	EA	Water Heater - Atwood Bowen - GH6

** The illustrated parts breakdown for this item is provided on the Common Items Fiche.

1975 WINNEBAGO TABLE OF CONTENTS

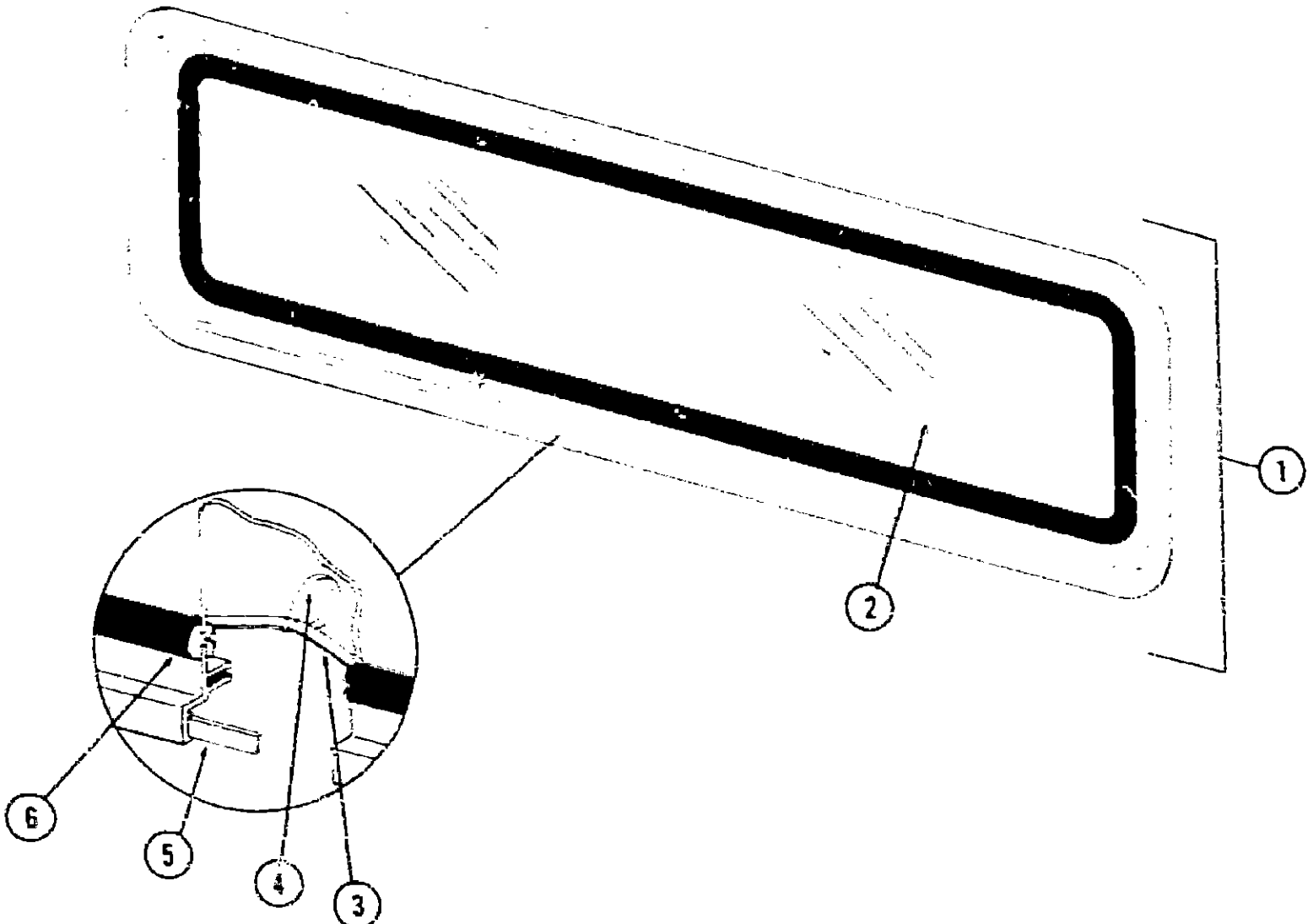
Introduction	A-1
Abbreviations	A-1
Alphabetical Index	A-2 - A-4
D25C	A-5 - B-14
D25CL	B-15 - C-24
D27C	D-1 - E-10
D27CL	E-11 - F-20
D29CURB	F-21-H-6
D27CU	H-7 - I-18
D27CJL	I-19 - K-6
D25CU	K-7 - L-16

1975 D27C INDEX

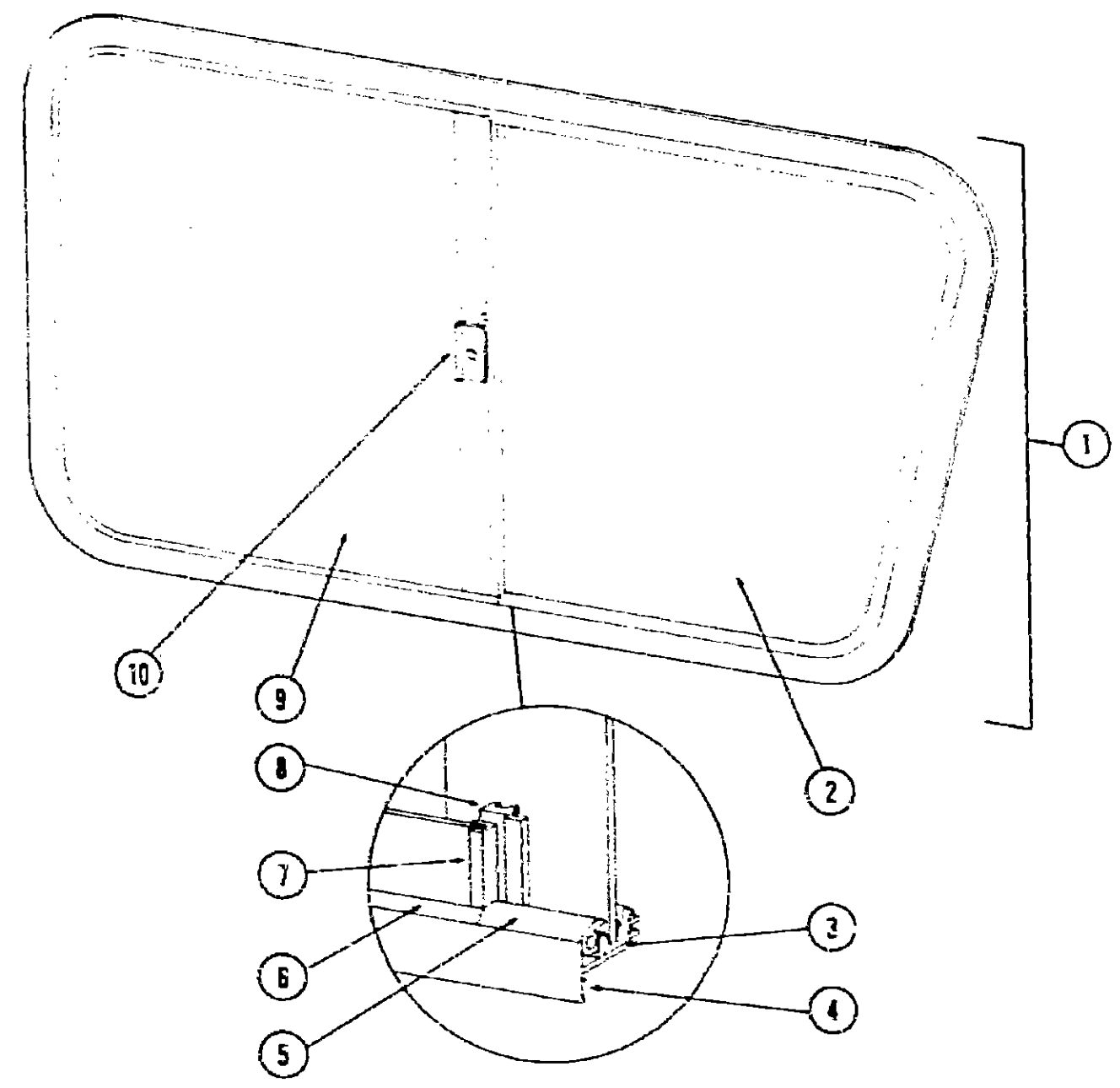
Floor Plan	D-1 - D-2
Accessories Group	D-3 - D-4
Bath Group	D-5
Chassis Group	D-5 - D-6
Curtain, Cushion & Pad Group	D-7 - D-10
Dinette Group	D-11
Driver's Compartment Group	D-11 - D-12
Electrical Group	D-13 - D-14
Exterior Body Group	D-15 - D-18
Galley Group	D-19
Heating & Air Conditioning Group	D-20
Interior Finish Group	D-21 - D-22
LP Group	D-23
Lounge Group	D-23
Water & Sewage Group	D-24
Window, Vent & Exterior Door Group	E-1 - E-10

WINDOW, VENT AND EXTERIOR DOOR GROUP

WINDOW, VENT AND EXTERIOR DOOR GROUP (CONTINUED)



Key	Part Number	U/M	Description
1	020754-03-000	EA	Window Asm. - Escape - 23" x 68" - Black Anod w/o Inside Frame
2	002178-01-000	EA	Glass - 1/8" x 19.51" x 64.59"
3	002285-01-000	FT	Weatherstrip - Fillet - Black
4	020395-01-000	EA	Slip Ring - Pull
5	004363-01-000	FT	Tape - Foam - 3/16" x 1/2" - Gray
6	002282-01-000	FT	Weatherstrip - Window - .125" - Black
	020753-04-000	EA	Frame - Escape Window - Inside - 23" x 68" (Not Included In Window Assembly)
	006199-01-000	EA	Label - Exit - Escape Window
	Not Illustrated		



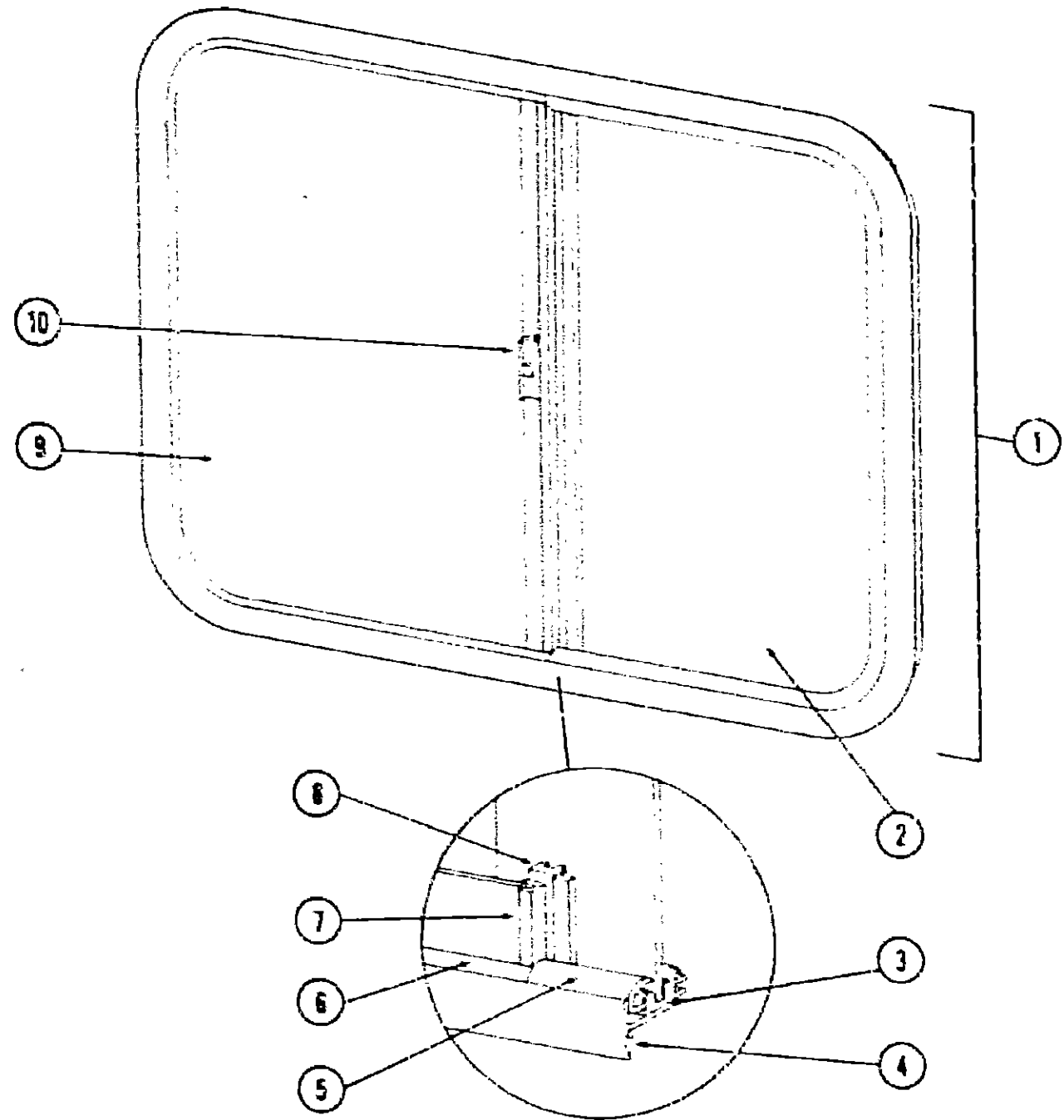
Key	Part Number	U/M	Description
1	017203-03-000	EA	Window Asm. - Black - Radius - Right Slanted Slider w/o Inside Frame
	017754-03-000	EA	Window Asm. - Black - Radius - Left Slanted Slider w/o Inside Frame
2	002189-01-000	EA	Glass - 1/8" x 22" x 23.569"
3	002324-01-000	FT	Channel - Weatherstrip - Glass Run - 1/8" Glass
4	004363-01-000	FT	Tape - Foam - 3/16" x 1/2" Gray
5	024096-01-000	FT	Seal - Window Channel - Gray
6	002309-02-000	FT	Spline - Glass - 1/8" - Black
7	018025-03-000	EA	Holder - Glass Seal - Black Anod.
8	041694-02-000	EA	Mullion - Slider Window - 23" Black Anod.
9	002180-01-000	EA	Glass - 1/8" x 22" x 19.051"
10	023275-01-000	EA	Latch Asm. - Window - Alum
	017755-05-000	EA	Frame - Inside - Front Slanted Slider - Brown - Right
	017755-06-000	EA	Frame - Inside - Front Slanted Slider - Brown - Left
	020834-01-000	EA	Screen Asm. - Slider
	023713-02-000	EA	Cover - Weephole - Plastic - Black
	Not Illustrated		

1975 WINNEBAGO TABLE OF CONTENTS

Introduction	A-1
Abbreviations	A-1
Alphabetical Index	A-2 - A-4
D25C	A-5 - B-14
D25CL	B-15 - C-24
D27C	D-1 - E-10
D27CL	E-11 - F-20
D29CURB	F-21-H-6
D27CU	H-7 - I-16
D27CUL	I-19 - K-6
D25CU	K-7 - L-16

1975 D27C INDEX

Floor Plan	D-1 - D-2
Accessories Group	D-3 - D-4
Bath Group	D-5
Chassis Group	D-5 - D-6
Curtain, Cushion & Pad Group	D-7 - D-10
Dinette Group	D-11
Driver's Compartment Group	D-11 - D-12
Electrical Group	D-13 - D-14
Exterior Body Group	D-15 - D-18
Galley Group	D-19
Heating & Air Conditioning Group	D-20
Interior Finish Group	D-21 - D-22
LP Group	D-23
Lounge Group	D-23
Water & Sewage Group	D-24
Window, Vent & Exterior Door Group	E-1 - E-10



Key	Part Number	U/M	Description
1	048631-07-000	EA	Window Asm. - Right Single Slider - 23" x 29" w/Plastic Latch - w/o Inside Frame (Requires "Z" Style Inside Frame)
2	047813-01-000	EA	Glass - Sliding - 1/8" x 22" x 13 68" w/Holes (Used w/Plastic Latch)
	002186-01-000	EA	Glass - Sliding 1/8" x 22" x 13 68" w/o Holes (Used w/Alum. Latch)
3	002324-01-000	FT	Channel - Weatherstrip - Glass Run - 1.8" Glass
4	004363-01-000	FT	Tape - Foam - 3/16" x 1/2" - Gray
5	024096-02-000	FT	Seal - Window Channel - Black (Used in Window w/"Z" Style Inside Frame)
	002283-01-000	FT	Seal - Window Channel (Used in Window w/"T" Style Inside Frame)
6	002309-02-000	FT	Spline - Glass - 1/8" - Black
7	018025-03-000	EA	Holder - Glass Seal - 23" - Black Anod.
8	041894-02-000	EA	Mullion - Slider Window - 23" - Black Anod (Used in Window w/"Z" Style Inside Frame)
	018014-01-000	EA	Mullion - Slider Window - 22" - Black Anod (Used in Window w/"T" Style Inside Frame)
9	002184-01-000	EA	Glass - TP - Stationary
10	047369-01-700	EA	Latch - Window - Plastic w/Fastener
	023275-01-000	EA	Latch - Window - Aluminum
	041839-01-000	FT	Tape - Foam - Aluminum Window Latch
	002299-01-000	FT	Spline - Screen - .130" Dia. - Gray
	002293-01-000	SF	Screen - Window - 26" Gray
	023713-02-000	EA	Cover - Weephole - Black Plastic
	042147-01-000	EA	Frame - Window - inside - 23" x 29" ("Z" Style)
	018027-01-000	EA	Frame - Window - inside - 23" x 29" ("T" Style)
			Not Illustrated

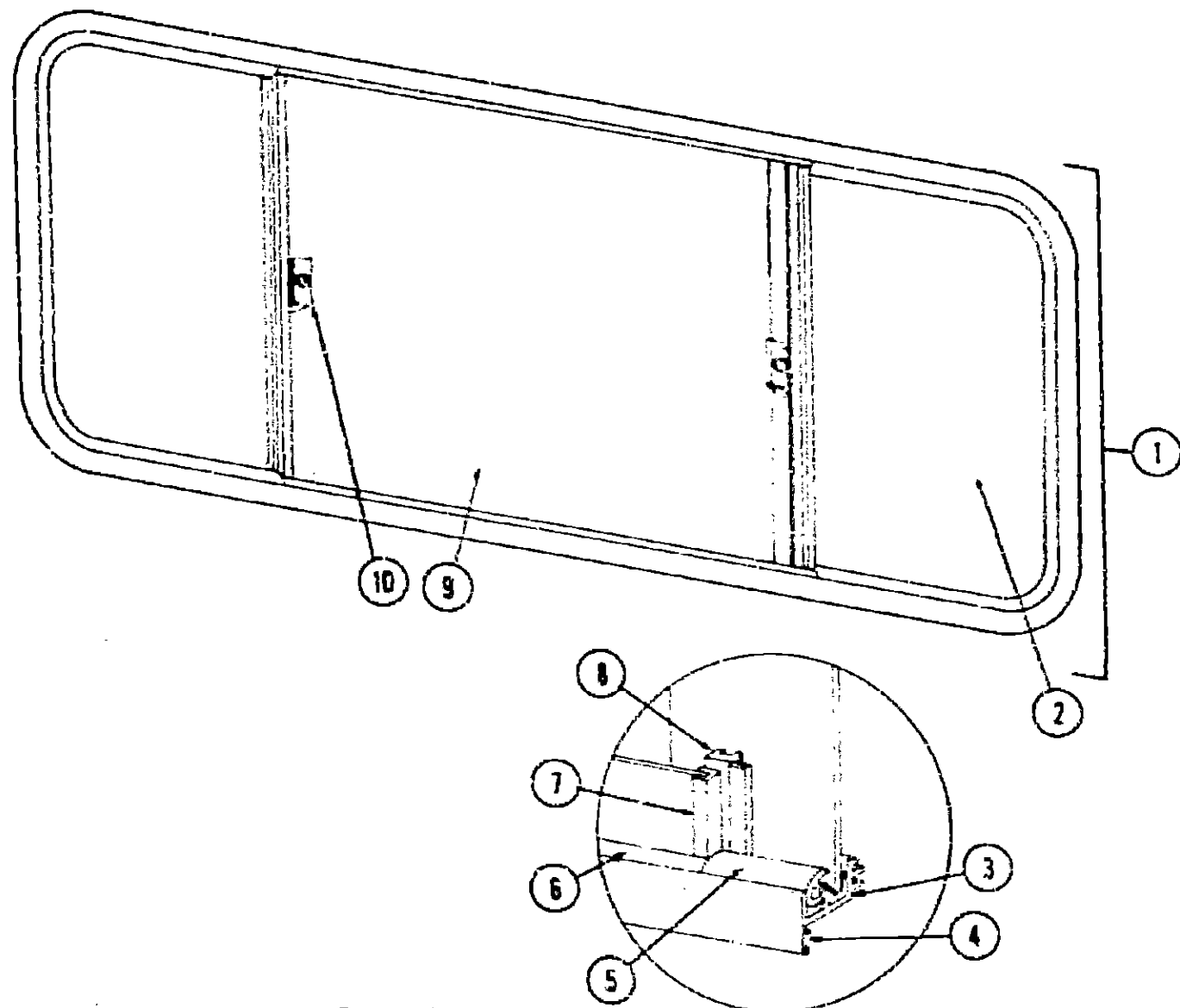
1975 WINNEBAGO TABLE OF CONTENTS

Introduction	A-1
Abbreviations	A-1
Alphabetical Index	A-2 - A-4
D25C	A-5 - B-14
D25CL	B-15 - C-24
D27C	D-1 - E-10
D27CL	E-11 - F-20
D29CURB	F-21 - H-6
D27CU	H-7 - I-18
D27CUL	I-19 - K-6
D25CU	K-7 - L-16

1975 D27C INDEX

Floor Plan	D-1 - D-2
Accessories Group	D-3 - D-4
Bath Group	D-5
Chassis Group	D-5 - D-6
Curtain, Cushion & Pad Group	D-7 - D-10
Dinette Group	D-11
Driver's Compartment Group	D-11 - D-12
Electrical Group	D-13 - D-14
Exterior Body Group	D-15 - D-18
Galley Group	D-19
Heating & Air Conditioning Group	D-20
Interior Finish Group	D-21 - D-22
LP Group	D-23
Lounge Group	D-23
Water & Sewage Group	D-24
Window, Vent & Exterior Door Group	E-1 - E-10

WINDOW, VENT AND EXTERIOR DOOR GROUP (CONTINUED)



Key	Part Number	U/M	Description
1	048630-04-000	EA	Window Asm. - Double Slider - 23" x 65" - Black Anod w/Plastic Latch - w/Inside Frame (Requires "Z" Style Inside Frame)
2	047823-01-000	EA	Glass - 1/8" x 22" x 21.03" - Sliding w/Holes (Used w/Plastic Latch)
	002187-01-000	EA	Glass - 1/8" x 22" x 21.028" - Sliding w/o Holes (Used w/Alum. Latch)
3	002324-01-000	FT	Channel - Weatherstrip - Glass Run - 1/8" Glass
4	004363-01-000	FT	Tape - Foam - 3/16" x 1/2" - Gray
5	024096-01-000	FT	Spline - Glass (Used in Window w/"Z" Style Inside Frame)
	002283-01-000	FT	Seal - Window Channel (Used in Window w/"T" Style Inside Frame)
6	002309-02-000	FT	Spline - Glass - 1/8" - Black
7	015025-03-000	EA	Holder - Glass Seal - 23" - Black Anod.
8	041894-02-000	EA	Mullion - Slider Window - 23" Black Anod. (Used in Window w/"Z" Style Inside Frame)
	018014-01-000	EA	Mullion - Slider Window - 22" - Black Anod (Used in Window w/"T" Style Inside Frame)
9	002188-01-000	EA	Glass - 1/8" x 22" x 21.03" - Stationary
10	047369-01-750	EA	Latch - Window - Plastic w/Fastener
	023275-01-000	EA	Latch - Window - Aluminum
	041839-01-000	FT	Tape - Foam - Aluminum - Window Latch
	002298-01-000	FT	Spline - Screen - 130" Dia - Gray
	002293-01-000	SF	Screen - Window - 26" - Gray
	023713-02-000	EA	Cover - Weephole - Black Plastic
	042133-02-000	EA	Frame - Window - Inside - 23" x 65" ("Z" Style)
	018016-01-000	EA	Frame - Window - Inside - 23" x 65" ("T" Style)
			Not Illustrated

WINDOW, VENT AND EXTERIOR DOOR GROUP (CONTINUED)

ACCESS DOORS

Key	Part Number	U/M	Description
	015099-05-000	EA	Door Asm. - Trunk w/Jamb and T-Handle Locks
	031183-01-000	EA	Hinge - Trunk Door
	009009-01-000	EA	Lock - T-Handle - Bent Cam
	002712-01-000	EA	Pin - Hinge - Square Door - Upper
	015100-04-000	EA	Jamb Asm. - Trunk Door Left or Right Side - Beige
	015101-04-000	EA	Jamb Asm. - Trunk Door - Upper - Beige
	015102-04-000	EA	Jamb Asm. - Trunk Door - Lower - Beige
	015103-02-000	EA	Frame Asm. - Trunk Door Left or Right Side - Anod.
	015104-02-000	EA	Frame Asm. - Trunk Door - Lower - Anod.
	015105-02-000	EA	Frame Asm. - Trunk Door - Upper Anod.
	016068-01-000	EA	Door Asm. - Power Cord - 9" x 10" - Beige Left w/Twist Type Lock
	018586-01-000	EA	Door Asm. - Power Cord - 9" x 10" - Beige - Right w/Twist Type Lock
	016533-07-000	EA	Door Asm. - Refrigerator Access - Beige w/Twist Type Lock
	031007-05-000	EA	Door Asm. - Generator - Beige w/Twist Type Lock
	033333-11-000	EA	Door Asm. - Battery - Beige - w/Twist Type Lock
	033333-12-000	EA	Door Asm. - Luggage - Beige w/Key Type Lock
	031022-06-000	EA	Door Asm. - LP - Beige w/Twist Type Lock
	039884-01-000	EA	Lock Asm. - Twist w/Clip
	047305-01-000	EA	Lock Asm. - Key Type w/Clip

Key	Part Number	U/M	Description
	009166-01-000	EA	Latch - Nylon - Storm Window
	020802-01-000	EA	Window - Radius - Storm 22" x 28"
	020803-01-000	EA	Window - Radius - Storm 12" x 22"
	020804-01-000	EA	Window - Radius - Storm 22" x 64"
	002054-01-001	EA	Window - 8 1/8" x 17 7/8" Crank Right - Hehr
	002056-01-001	EA	Window - 8 1/8" x 17 7/8" Crank Left - Hehr
	002192-01-000	EA	Glass - Windshield 1/4" x 21" x 44 23"
	017748-04-000	EA	Frame - Windshield - Beige
	024677-01-000	FT	Weatherstrip
	024678-01-000	FT	Fillerstrip
	039778-01-000	EA	Cover - Vent - Refrigerator - Plastic
	009407-01-000	EA	Frame Asm. - Refrigerator Vent w/o Cover

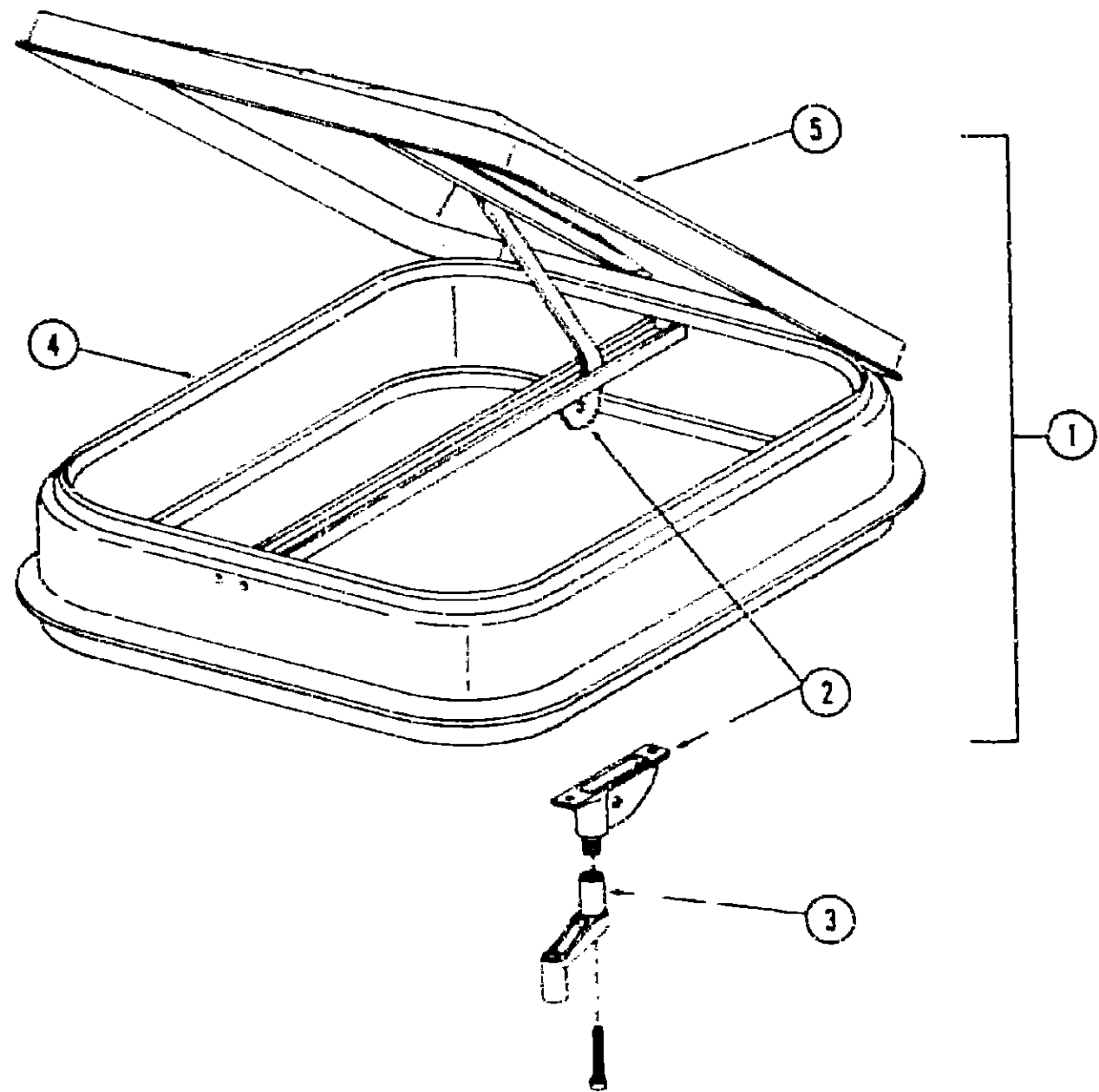
1975 WINNEBAGO TABLE OF CONTENTS

Introduction	A-1
Abbreviations	A-1
Alphabetical Index	A-2 - A-4
D25C	A-5 - B-14
D25CL	B-15 - C-24
D27C	D-1 - E-10
D27CL	E-11 - F-20
D29CURB	F-21-H-6
D27CU	H-7 - I-18
D27CLL	I-19 - K-6
D25CU	K-7 - L-16

1975 D27C INDEX

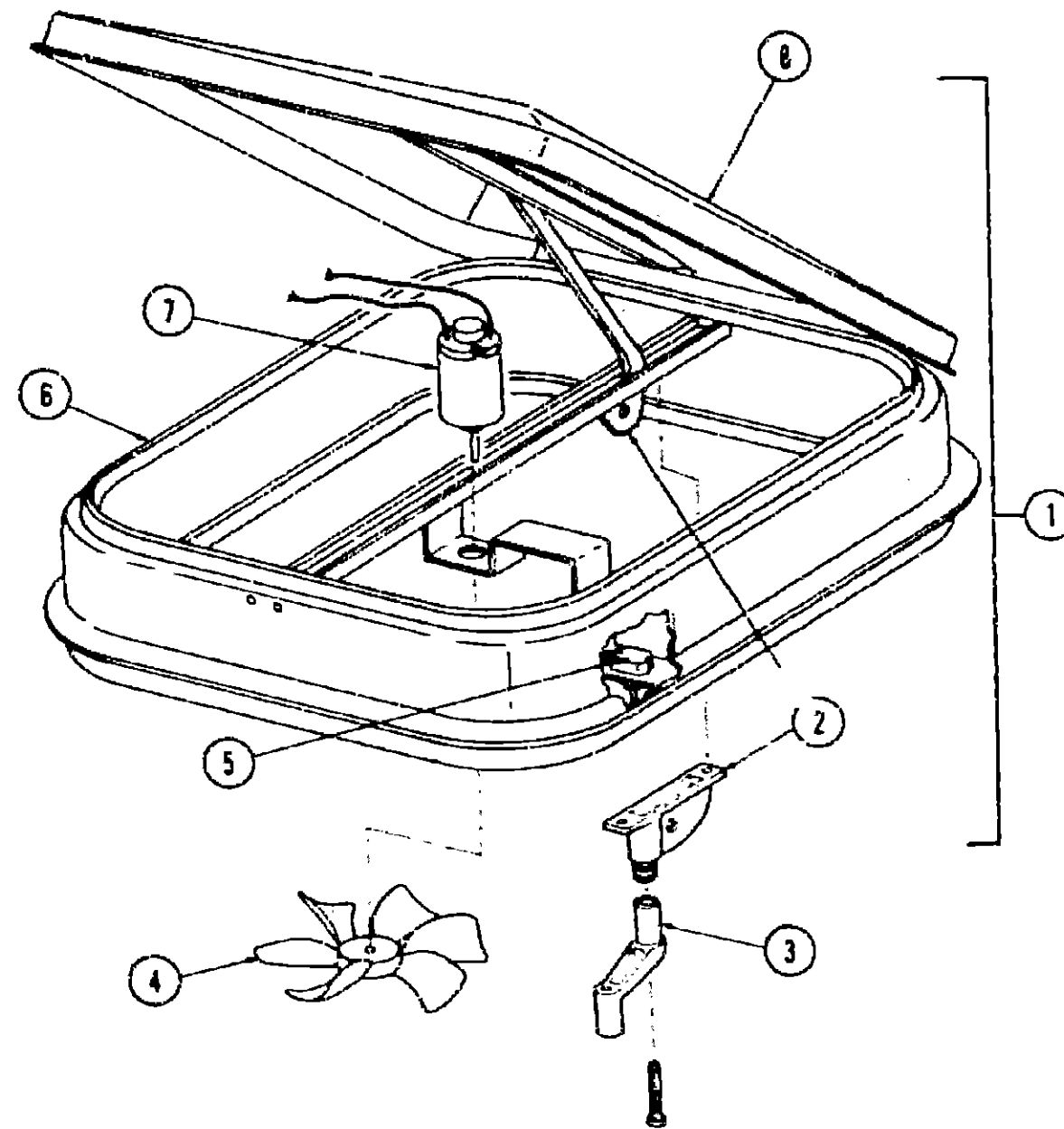
Floor Plan	D-1 - D-2
Accessories Group	D-3 - D-4
Bath Group	D-5
Chassis Group	D-5 - D-6
Curtain, Cushion & Pad Group	D-7 - D-10
Dinette Group	D-11
Driver's Compartment Group	D-11 - D-12
Electrical Group	D-13 - D-14
Exterior Body Group	D-15 - D-18
Galley Group	D-19
Heating & Air Conditioning Group	D-20
Interior Finish Group	D-21 - D-22
LP Group	D-23
Lounge Group	D-23
Water & Sewage Group	D-24
Window, Vent & Exterior Door Group	E-1 - E-10

WINDOW, VENT AND EXTERIOR DOOR GROUP (CONTINUED)



Key	Part Number	U/M	Description
1	048835-01-000	EA	Vent Asm. - Roof - Nonpowered - w/o Screen
2	009440-01-000	EA	Gear - Arm - Roof Vent
3	009439-01-009	EA	Crank - Roof Vent
4	002825-01-000	FT	Weatherstrip - Roof Vent
5	046825-01-000	EA	Cover - Plastic - Roof Vent
-	016335-01-000	EA	Screen Asm. - Nonpowered Roof Vent - Clear Anod (not included in assembly)
-	016335-03-000	EA	Screen Asm. - Nonpowered Roof Vent - Beige (not included in assembly)
-			Not Illustrated

WINDOW, VENT AND EXTERIOR DOOR GROUP (CONTINUED)



Key	Part Number	U/M	Description
1	048789-01-000	EA	Vent Asm. - Roof - Powered - w/o Screen
2	009440-01-000	EA	Gear - Arm - Roof Vent
3	009439-01-000	EA	Crank - Roof Vent
4	048649-01-000	EA	Fan Blade - 6" - Plastic
-	009442-01-000	EA	Fan Blade - Alum.
5	008195-01-000	EA	Switch - Push Button - 12 Volt
6	002825-01-000	FT	Weatherstrip - Roof Vent
7	048648-01-000	EA	Motor - 12 Volt (Vent w/Plastic Fan)
-	009441-01-000	EA	Motor - 12 Volt (Vent w/Alum. Fan)
8	046825-01-000	EA	Cover - Plastic - Roof Vent (Vent w/Plastic Fan)
-	016336-01-000	EA	Cover - Plastic - Roof Vent (Vent w/Alum. Fan)
-	046695-01-000	EA	Screen Asm. - Powered Roof Vent - Clear Anod (Vent w/Plastic Fan) (Not Included w/Assembly)
-	016337-01-000	EA	Screen Asm. - Powered Roof Vent - Clear Anod Vent w/Alum. Fan (Not Included w/Assembly)
-			Not Illustrated

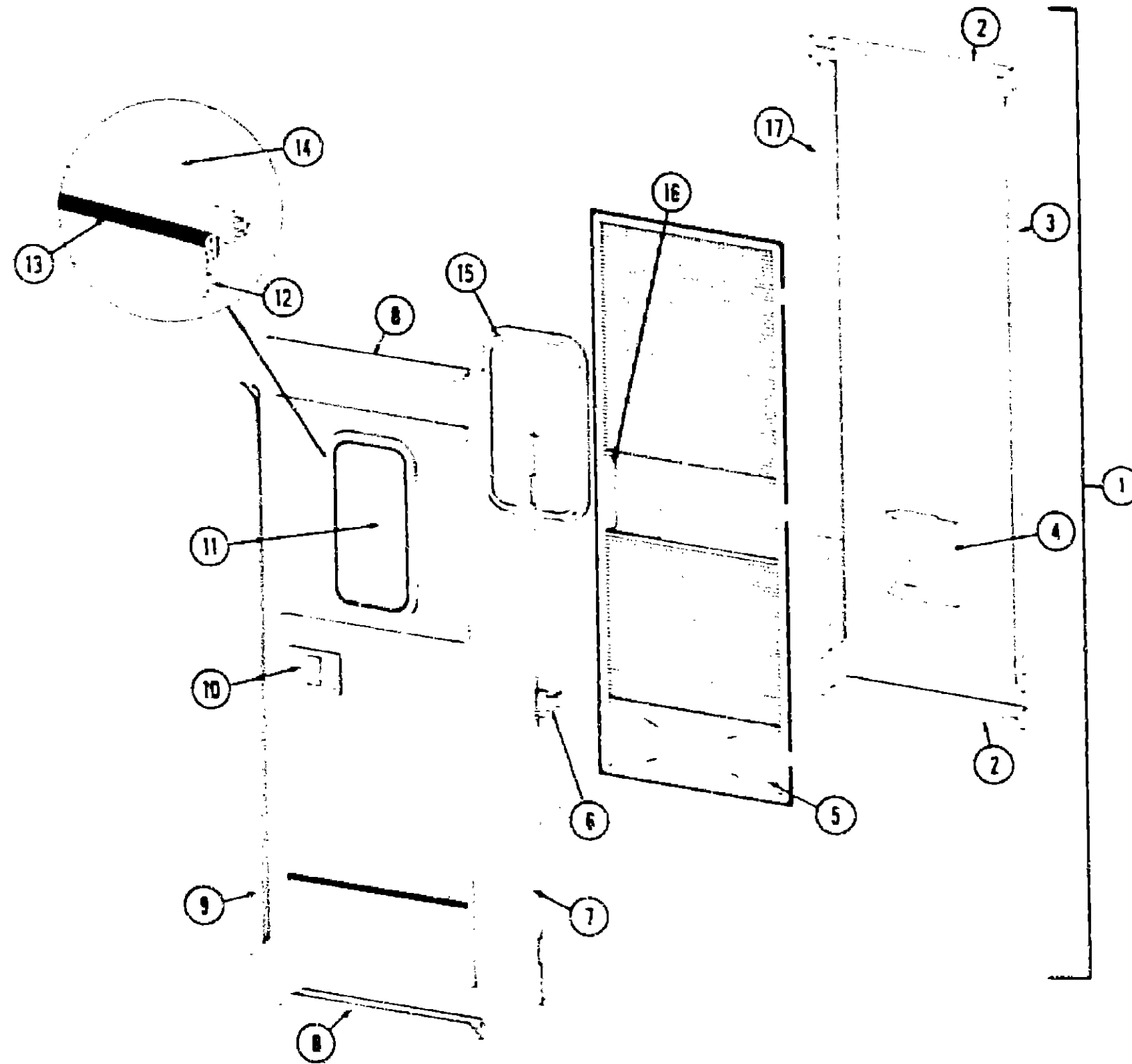
**1975 WINNEBAGO
TABLE OF CONTENTS**

Introduction	A-1
Abbreviations	A-1
Alphabetical Index	A-2 - A-4
D25C	A-5 - B-14
D25CL	B-15 - C-24
D27C	D-1 - E-10
D27CL	E-11 - F-20
D29CURB	F-21 - H-6
D27CU	H-7 - I-18
D27CUL	I-19 - K-6
D25CU	K-7 - L-16

1975 D27C INDEX

Floor Plan	D-1 - D-2
Accessories Group	D-3 - D-4
Bath Group	D-5
Chassis Group	D-5 - D-6
Curtain, Cushion & Pad Group	D-7 - D-10
Dinette Group	D-11
Driver's Compartment Group	D-11 - D-12
Electrical Group	D-13 - D-14
Exterior Body Group	D-15 - D-18
Galley Group	D-19
Heating & Air Conditioning Group	D-20
Interior Finish Group	D-21 - D-22
LP Group	D-23
Lounge Group	D-23
Water & Sewage Group	D-24
Window, Vent & Exterior Door Group	E-1 - E-10

WINDOW, VENT AND EXTERIOR DOOR GROUP (CONTINUED)



Key	Part Number	U/M	Description
1	031304-02-000	EA	Door Asm. - Entry - Chieftain
2	023013-02-000	EA	Jamb - Entry Door - Upper and Lower
3	023012-02-000	EA	Jamb - Entry Door - Right
4	015580-01-000	EA	Slider - Screen Door - Plastic
5	016874-01-000	EA	Door Asm. - Screen - 26" x 73"
6	024650-01-000	EA	Hinge - Entry Door - Screen Door
7	017376-02-000	EA	Frame - Entry Door - Right
8	017378-02-000	EA	Frame - Entry Door - Upper and Lower
9	017377-02-000	EA	Frame - Entry Door - Left
10	024094-01-000	EA	Latch - Entry Door - Hartwell

Key	Part Number	U/M	Description
11	041875-03-000	EA	Window - Anodized - Radius Picture - 13" x 23" w/o Inside Frame (Requires "Z" Style Inside Frame)
12	004363-01-000	FT	Tape - Foam - 3/16" x 1/2" - Gray
13	002309-02-000	FT	Spline - Glass - 1/8" - Black
14	002181-01-000	EA	Glass - Picture - 1/8" x 12" x 22" - Gray
15	041696-02-000	EA	Frame - Window - Inside - 13" x 23" Not Included w/Window Asm - T-Style
	017753-01-000	EA	Frame - Window - Inside - 13" x 23" Not Included w/Window Asm - Z-Style
16	015581-01-000	EA	Cap - Screen Door - Plastic
17	023011-02-000	EA	Jamb - Entry Door - Left

1975 WINNEBAGO
TABLE OF CONTENTS

Introduction	A-1
Abbreviations	A-1
Alphabetical Index	A-2 - A-4
D25C	A-5 - B-14
D25CL	B-15 - C-24
D27C	D-1 - E-10
D27CL	E-11 - F-20
D29CURB	F-21 - H-6
D27CU	H-7 - I-18
D27CUL	I-19 - K-6
D25CU	K-7 - L-16

1975 D27C INDEX

Floor Plan	D-1 - D-2
Accessories Group	D-3 - D-4
Bath Group	D-5
Chassis Group	D-5 - D-6
Curtain, Cushion & Pad Group	D-7 - D-10
Dinette Group	D-11
Driver's Compartment Group	D-11 - D-12
Electrical Group	D-13 - D-14
Exterior Body Group	D-15 - D-18
Galley Group	D-19
Heating & Air Conditioning Group	D-20
Interior Finish Group	D-21 - D-22
LP Group	D-23
Lounge Group	D-23
Water & Sewage Group	D-24
Window, Vent & Exterior Door Group	E-1 - E-10