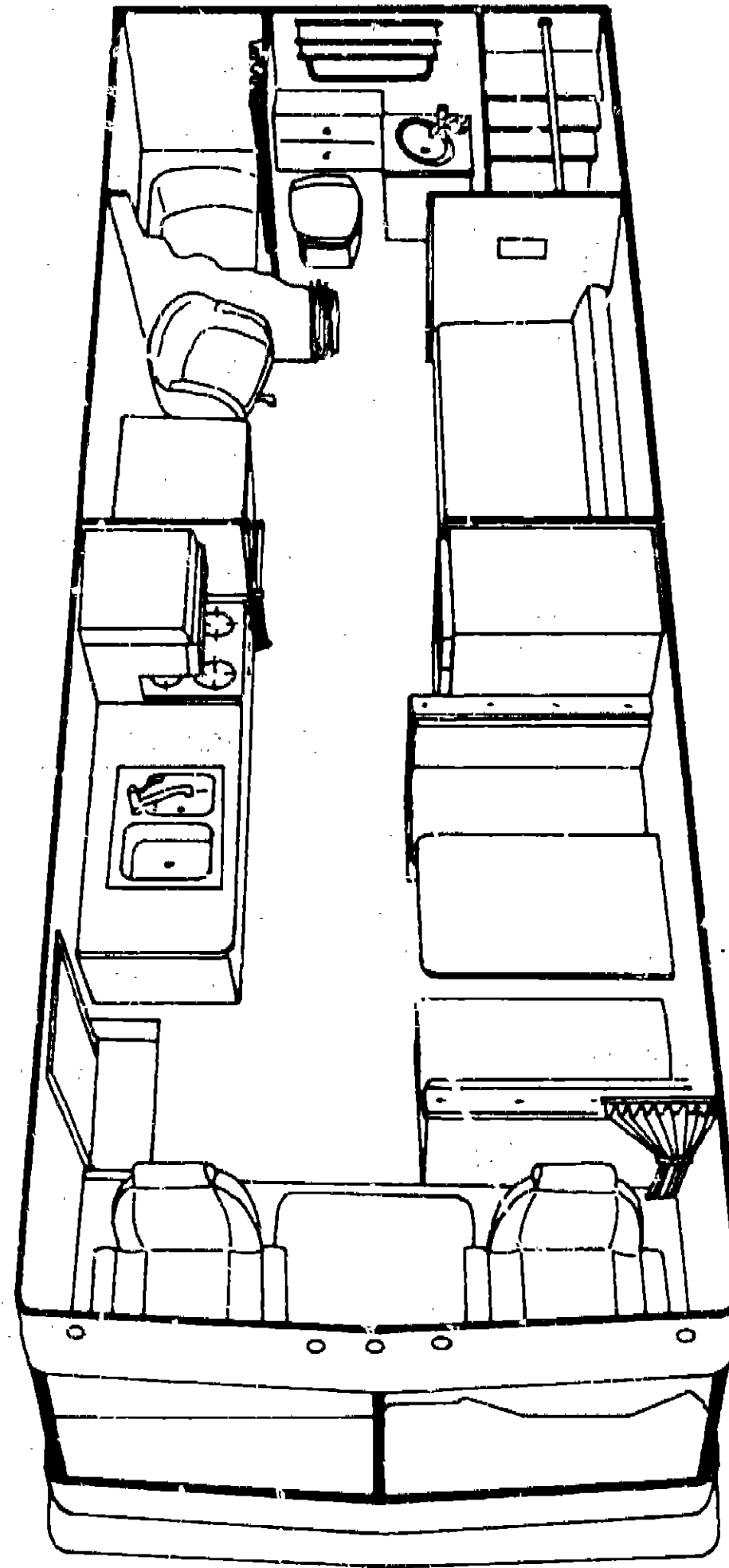


# 1975 D25CUL



## 1975 WINNEBAGO TABLE OF CONTENTS

D25CUL	A-1 - B-10
D-19	B-11 - C-18
D-21	C-19 - E-4
D23	E-5 - F-16
D23L	F-17 - H-2
D25	H-3 - I-12

## 1975 D25CUL INDEX

Floor Plan	A-1 - A-2
Accessories Group	A-3 - A-4
Bath Group	A-5
Chassis Group	A-5 - A-6
Curtain, Cushion & Pad Group	A-7 - A-9
Dinette Group	A-10
Driver's Compartment Group	A-10 - A-11
Electrical Group	A-12 - A-13
Exterior Body Group	A-14 - A-17
Galley Group	A-18
Heating & Air Conditioning Group	A-19
Interior Finish Group	A-20 - A-21
LP Group	A-22
Lounge Group	A-22
Water & Sewage Group	A-23
Window, Vent & Exterior Door Group	A-24
	B-1 - B-10

## ACCESSORIES GROUP

### RADIOS AND RELATED COMPONENTS

Key	Part Number	U/M	Description
	031105-01-000	EA	Antenna - Radio - Side Mount
	031105-01-700	EA	Clip - Retaining - Side Mount Antenna
	039879-01-000	EA	Kit - Radio Speaker - 5 1/4" w/Cover
	049730-01-000	EA	Radio - AM w/Fader - Clarion
	049731-01-000	EA	Radio - AM/FM/MPX - w/Fader - Clarion
	049732-01-000	EA	Radio - AM/FM/MPX - 8 Track - w/Fader - Clarion
	048146-01-000	EA	Radio - CB Messenger 123 A - Johnson
	048153-01-000	EA	Antenna - CB - Camper Style

### SPEED CONTROL AND COMPONENTS

Key	Part Number	U/M	Description
	024746-01-000	EA	Speed Control Package - 440 CID Dodge - Lever Type - A-Body
	007255-01-000	EA	Regulator Asm.
	024746-01-701	EA	Servo Asm.
	024746-01-702	EA	Switch - Engage Lever
	007255-01-703	EA	Cable Asm. - Transmission - 42"
	807255-01-704	FA	Switch Asm. - Decelerate
	024746-01-700	EA	Relay - Speed Control

### GENERATORS AND INSTALLATION KITS

Key	Part Number	U/M	Description
	007061-01-000	EA	Generator - Onan - 4000 Watt CCK - w/Mounting Bolts and Rubber Feet
	007058-01-000	EA	Generator - Onan - 5000 Watt CCK - w/Mounting Bolts and Rubber Feet
	039237-01-000	EA	Kit - 4000, 5000 Onan Installation - w/o Bolt Package and Rubber Feet
	007290-01-000	EA	Tailpipe - Generator Exhaust - 1.62" x 17"
	024732-01-004	EA	Steel Tubing - 1.5" O.D. - 18 Gauge x 34"
	007292-01-000	EA	Muffler - Generator
	007131-01-000	EA	Hanger - Tailpipe
	007125-01-000	EA	Clamp Asm. - Muffler - 1.62" Dia.
	007125-03-000	EA	Clamp Asm. - Muffler - 1.50" Dia.
	042865-01-000	EA	Scoop - Generator Air
	007067-01-000	SF	Insulation - Fiberglass - 1"
	007059-02-000	EA	Bolt Package
	007059-03-000	EA	Foot - Rubber - Generator Mounting
	031035-01-000	EA	Gauge - Hourmeter
	024979-01-000	EA	Switch - Generator - w/o Circuit Board
	045226-01-000	EA	Tray - Sliding - Generator
	007125-07-000	EA	Clamp Asm. - Muffler - 2.50" Dia.

## ACCESSORIES GROUP (CONTINUED)

### FRONT BUNK, CABINET AND HARDWARE

Key	Part Number	U/M	Description
	031471-03-700	EA	Cabinet Asm. - Glide-Away - Overhead
	031471-03-701	EA	Door - Sliding - Glide-Away - Overhead
	009148-01-000	EA	Fingerpull
	009785-01-000	FT	Track - Sliding Door - Upper - Plastic
	009786-01-000	FT	Track - Sliding Door - Lower - Plastic
	017641-01-000	EA	Stabilizer Asm. - Bunk
	040071-01-000	EA	Support - Bunk - Overhead Seatbelt
	022540-01-000	EA	Support Asm. - Elunk Strap 20"
	006076-01-000	EA	Ladder - Bunk - 66" Aluminum
	042988-01-000	EA	Support Asm. - Left and Right - Overhead Bunk
	039920-01-000	EA	Bunk Board Asm.

### MISCELLANEOUS ACCESSORIES

Key	Part Number	U/M	Description
	044148-01-000	EA	TV - Color - 13" Sharp
	006093-01-000	EA	Jack - TV - Brown
	006053-01-000	EA	Antenna - TV - Braun Delux
	031450-01-000	EA	Vacuum - Wall Mount w/Attachments
	700108-02-000	EA	Vacuum Bags (used With 031450-01-000)
	036420-01-000	EA	Fan - Defroster
	041944-01-700	EA	Fire Extinguisher - w/Bracket
	038851-01-000	EA	Rack - Magazine
	007035-01-000	EA	Ladder Asm. - w/Luggage Rack - Square
	007035-02-000	EA	Pads, Caps, Blocks for Square Rack
	007035-03-000	EA	Ladder Asm. - Square
	038685-01-000	EA	Ladder Asm. - w/Luggage Rack - Round
	038685-02-000	EA	Ladder Asm. - Round
	023766-01-000	EA	Mud Flap
	022534-01-000	EA	Guard Asm. - Bumper - Front Right
	022535-01-000	EA	Guard Asm. - Bumper - Front Left
	007268-01-000	EA	Guard - Bumper - Chrome (Rear)
	006113-01-000	EA	Jack - Hydraulic - 5 Ton
	006091-01-000	EA	Tray - Cutlery - Gold
	006060-01-000	EA	Purification System - Everpure
	006060-02-000	EA	Cartridge - Replacement - Everpure
	042563-01-000	EA	Oven - Microwave - Winnebago (by Panasonic)
	049347-01-000	EA	Mirror Head - 7 1/2" x 10 1/2" - Stainless Steel
	049348-01-000	EA	Arm - Low Mount Mirror - Bright Finish
	049944-01-000	EA	Bracket - Mirror - Outside - Beige

## 1975 WINNEBAGO TABLE OF CONTENTS

D25CUL	A-1 - B-10
D-19	B-11 - C-18
D-21	C-19 - E-4
D23	E-5 - F-16
D23L	F-17 - H-2
D25	H-3 - I-12

## 1975 D25CUL INDEX

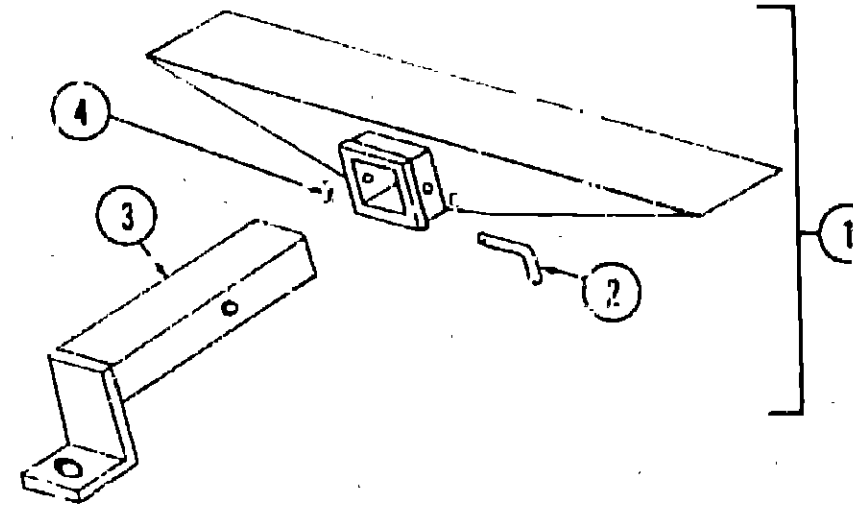
Floor Plan	A-1 - A-2
Accessories Group	A-3 - A-4
Bath Group	A-5
Chassis Group	A-5 - A-6
Curtain, Cushion & Pad Group	A-7 - A-9
Dinette Group	A-10
Driver's Compartment Group	A-10 - A-11
Electrical Group	A-12 - A-13
Exterior Body Group	A-14 - A-17
Galley Group	A-18
Heating & Air Conditioning Group	A-19
Interior Finish Group	A-20 - A-21
LP Group	A-22
Lounge Group	A-22
Water & Sewage Group	A-23
Window, Vent & Exterior Door Group	A-24
	B-1 - B-10

## BATH GROUP

Key	Part Number	U/M	Description
	037813-01-700	EA	Cabinet Asm. - Lavatory w/o Countertop, Drawers, Doors or Hardware
	037813-01-701	EA	Countertop Asm. - Lavatory Cabinet w/Cut-out
	037813-01-702	EA	Door Asm. - Vanity Cabinet - 13" x 25" w/o Hardware
	011028-01-000	EA	Sink - Stainless Steel - Oval w/Bolts
	011056-01-000	EA	Faucet - Lavatory
	031558-01-000	EA	Faucet - Tub and Shower
	011048-01-000	EA	Shower Head w/68" Hose
	033796-01-000	EA	Bath Tub Asm. - White Plastic w/o Faucet or Drain
	033580-01-000	EA	Ring - Towel - Chrome Bracket w/Plastic Ring
	009134-01-000	EA	Holder - Toilet Tissue
	009133-02-000	EA	Rod - Towel Bar - 18" Plastic w/o Brackets
	023449-01-000	EA	Bracket - Towel Bar - Left or Right Chrome
	031563-01-000	EA	Door - Bath - Folding w/Track - 27 1/2" x 77 3/8" Opening
	011048-01-000	EA	Showerhead - w/60" Hose
	038472-01-000	EA	Track - Shower Curtain
	011048-01-700	EA	Vacuum Breaker - 1/8 MPT Nylon Shower Hose
**	033327-01-000	EA	Toilet - Electra Magic w/o Seat and Lid
**	039341-01-000	EA	Toilet - Aqua Magic Model SH - White - w/o Seat and Lid

\*\* The illustrated parts breakdown for this item is provided on the Common Items Fiche.

## CHASSIS GROUP (CONTINUED)



Key	Part Number	U/M	Description
1	023695-01-700	EA	Hitch Asm. - Trailer
2	034512-01-000	EA	Locking Pin - Drawbar
3	024876-01-000	EA	Drawbar Asm. - Trailer Hitch
4	034513-01-000	EA	Hitch Pin - 3/16" Wire

## 1975 WINNEBAGO TABLE OF CONTENTS

D25CUL	A-1 - J-10
D-19	B-11 - C-18
D-21	C-19 - E-4
D23	E-5 - F-16
D23L	F-17 - H-2
D25	H-3 - I-12

## CHASSIS GROUP

Key	Part Number	U/M	Description
	007263-01-000	EA	Bumper - Center Section - Front - Chrome
	007265-01-000	EA	Bumper - Outer Section - Front - Chrome
	023496-01-000	EA	Bracket - Bumper - Front
	023520-04-000	EA	Ear - Bumper - Black - Right or Left
	022534-01-000	EA	Guard Asm. - Front Bumper - Right
	022535-01-000	EA	Guard Asm. - Front Bumper - Left
	021596-01-000	EA	Bumper - Center Section - Rear - Chrome
	007265-01-000	EA	Bumper - Outer Section - Rear - Chrome
	022531-01-000	EA	Bumper - Slotted Rear - Reinforcement
	007268-01-000	EA	Guard - Bumper - Chrome - Rear
	007249-01-000	EA	Tailpipe - Curved ? 1/2" x 58"
	046953-01-000	EA	Hanger - Tailpipe
	007269-01-000	EA	Bracket - License
	033386-02-029	EA	Tie Down - Battery - Steel
	020275-01-000	EA	Bracket - Tie Down - Short Battery Box
	021276-01-000	EA	Tray - Battery - Steel
	037468-01-000	EA	Hoodboard - Steel - Right
	027468-02-000	EA	Hoodboard - Steel - Left
	038459-01-000	EA	Tank - Aux. Fuel - 22.9 Gal.
	038460-01-000	EA	Sending Unit - Fuel 78 Ohm
	024611-02-000	EA	Cap - Gas - Pressure - 1.5" Chrome
	024591-02-000	EA	Fill - Gas - w/Vent 4.5" Long
	024138-01-000	FT	Hose - Fuel - 5/16" I.D.
	007111-01-000	FT	Hose - Fuel - 2 1/4" I.D.

## 1975 D25CUL INDEX

Floor Plan	A-1 - A-2
Accessories Group	A-3 - A-4
Bath Group	A-5
Chassis Group	A-5 - A-6
Curtain, Cushion & Pad Group	A-7 - A-9
Dinette Group	A-10
Driver's Compartment Group	A-10 - A-11
Electrical Group	A-12 - A-13
Exterior Body Group	A-14 - A-17
Galley Group	A-18
Heating & Air Conditioning Group	A-19
Interior Finish Group	A-20 - A-21
LP Group	A-22
Lounge Group	A-22
Water & Sewage Group	A-23
Window, Vent & Exterior Door Group	A-24
	B-1 - B-10

**CURTAIN, CUSHION AND PAD GROUP**

**CURTAINS**

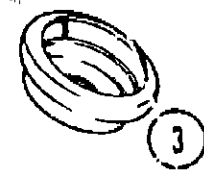
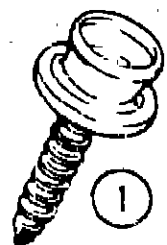
Key	Part Number	U/M	Description
	041143-75-000	EA	Curtain - Overdrape - 27" x 45" - Right - Olive
	041143-76-000	EA	Curtain - Overdrape - 27" x 45" - Right - Gold
	041144-75-000	EA	Curtain - Overdrape - 27" x 45" - Left - Olive
	041144-76-000	EA	Curtain - Overdrape - 27" x 45" - Left - Gold
	040406-34-000	EA	Curtain - Underdrape - 27" x 52" - Ivory
	041243-03-000	EA	Curtain - Wraparound - 30" x 104" - Right - Brown
	041244-03-000	EA	Curtain - Wraparound - 30" x 104" - Left - Brown
	033311-09-000	EA	Curtain - Blackout - 32" x 96" - Antique Brown Vinyl
	033311-08-000	EA	Curtain - Blackout - 36" x 96" - Antique Brown Vinyl
	033315-34-000	EA	Curtain - Aisle Divider - (2 pieces 36" x 72") - Brown

**VALANCES AND TIE BACKS**

Key	Part Number	U/M	Description
	038328-13-000	EA	Valance - 6" x 76" - Olive
	038328-14-000	EA	Valance - 6" x 76" - Gold
	031843-26-000	EA	Tie Back - Curtain - 18" - Olive
	031843-27-000	EA	Tie Back - Curtain - 18" - Gold
	031843-28-000	EA	Tie Back - Curtain - 18" - Brown
	031843-04-000	EA	Tie Back - Curtain - 18" - Brown Vinyl

**CURTAIN HARDWARE**

Key	Part Number	U/M	Description
	044089-02-000	EA	Track - Curtain - Wraparound - "L" Rod Alum. - Right
	044090-01-000	EA	Track - Curtain - Wraparound - "L" Rod Alum. - Left
	018031-42-000	EA	Track - Curtain - "L" Rod Alum. - 89"
	009701-01-000	EA	Carrier - Curtain - "L" Rod w/Rollers
	009702-01-000	EA	End Stop - Curtain Track - "L" Rod
	052327-04-236	EA	Track - Curtain - Alum. - 89" - Brown (Replaces 009108-01-000 Marine Track)
	009107-01-000	EA	Carrier - Snap - Curtain
	009220-01-000	EA	Rod - Curtain - Flat - Extends 18" - 28"
	009223-01-000	EA	Rod - Curtain - Flat - Extends 32" - 51"
	009223-02-000	EA	Rod - Curtain - Flat - Extends 48" - 84"
	009217-01-000	EA	Bracket - Curtain Rod - Left and Right



Key	Part Number	U/M	Description
1	029130-01-000	EA	Socket - Snap Fastener - 7 x 5/8" (Tie Back)
2	029155-01-000	EA	Cap - Snap - .156" Dia. x .17" Barrel (Tie Back)
3	029156-01-000	EA	Socket - Snap Fastener (Tie Backs)
4	029092-01-000	EA	Stud - Nickel Finish (Curtains)
5	029023-01-000	EA	Eyelet - Nickel Finish (Curtains)

**CURTAIN, CUSHION AND PAD GROUP (CONTINUED)**

**DINETTE CUSHIONS**

Key	Part Number	U/M	Description
	039931-23-000	EA	Cushion - Dinette Back - Wraparound Style w/Weltd Ends - 14 1/4" x 38" x 5" - Olive
	039931-24-000	EA	Cushion - Dinette Back - Wraparound Style w/Weltd Ends - 14 1/4" x 38" x 5" - Gold
	039931-23-023	EA	Cover - Cushion - Dinette Back - Wraparound Style w/Weltd Ends - 14 1/4" x 38" x 5" - Olive
	039931-24-024	EA	Cover - Cushion - Dinette Back - Wraparound Style w/Weltd Ends - 14 1/4" x 38" x 5" - Gold
	039931-25-000	EA	Cushion - Dinette Bottom - Wraparound Style w/Weltd Ends - 21 3/4" x 38" x 5" - Olive
	039931-26-000	EA	Cushion - Dinette Bottom - Wraparound Style w/Weltd Ends - 21 3/4" x 38" x 5" - Gold
	039931-25-025	EA	Cover - Cushion - Dinette Bottom - Wraparound Style w/Weltd Ends - 21 3/4" x 38" x 5" - Olive
	039931-26-026	EA	Cover - Cushion - Dinette Bottom - Wraparound Style w/Weltd Ends - 21 3/4" x 38" x 5" - Gold

**LOUNGE CUSHIONS AND SWIVEL CHAIRS**

Key	Part Number	U/M	Description
	031515-14-001	EA	Gauche - Seng Bed - Back Only - 76" - Olive
	031515-15-001	EA	Gauche - Seng Bed - Back Only - 76" - Gold
	031515-14-002	EA	Gauche - Seng Bed - Bottom Only - 76" - Olive
	031515-15-002	EA	Gauche - Seng Bed - Bottom Only - 76" - Gold
	038779-04-000	EA	Skirt - Seng Bed - 76" - Olive
	038779-05-000	EA	Skirt - Seng Bed - 76" - Gold
	038478-09-000	EA	Cushion - Bolster - 9 1/2" x 20" - Round - Olive
	038478-10-000	EA	Cushion - Bolster - 9 1/2" x 20" - Round - Gold
	038478-09-009	EA	Cover - Cushion - Bolster - 9 1/2" x 20" - Round - Olive
	038478-10-010	EA	Cover - Cushion - Bolster - 9 1/2" x 20" - Round - Gold
	039693-07-000	EA	Bedsread - 76" (For Sealy Mattress) Olive
	039693-08-000	EA	Bedsread - 76" (For Sealy Mattress) Gold
	031517-18-000	EA	Chair - TT - w/Cushion and Base - Olive
	031517-19-000	EA	Chair - TT - w/Cushion and Base - Gold
	031775-18-000	EA	Cushion - TT - Chair - Olive
	031775-19-000	EA	Cushion - TT - Chair - Gold

**MATTRESS**

Key	Part Number	U/M	Description
	031503-26-000	EA	Mattress - Flexsteel Bunk - 42" x 79" x 4" - Olive
	031503-27-000	EA	Mattress - Flexsteel - 42" x 79" x 4" - Gold
	031511-10-000	EA	Mattress - Side Bunk - 29" x 75" x 2" - 2 Fold w/Notched Rear Corners

**ARMRESTS AND HEADRESTS**

Key	Part Number	U/M	Description
	033903-05-000	EA	Armrest Asm. - Right - Olive
	033903-06-000	EA	Armrest Asm. - Right - Gold
	033904-05-000	EA	Armrest Asm. - Left - Olive
	033904-06-000	EA	Armrest Asm. - Left - Gold
	033905-05-000	EA	Headrest Asm. - Olive
	033905-06-000	EA	Headrest Asm. - Gold

**1975 WINNEBAGO  
TABLE OF CONTENTS**

D25CUL	A-1 - B-10
D-19	B-11 - C-18
D-21	C-19 - E-4
D23	E-5 - F-16
D23L	F-17 - H-2
D25	H-3 - I-12

**1975 D25CUL INDEX**

Floor Plan	A-1 - A-2
Accessories Group	A-3 - A-4
Bath Group	A-5
Chassis Group	A-5 - A-6
Curtain, Cushion & Pad Group	A-7 - A-9
Dinette Group	A-10
Driver's Compartment Group	A-10 - A-11
Electrical Group	A-12 - A-13
Exterior Body Group	A-14 - A-17
Galley Group	A-18
Heating & Air Conditioning Group	A-19
Interior Finish Group	A-20 - A-21
LP Group	A-22
Lounge Group	A-22
Water & Sewage Group	A-23
Window, Vent & Exterior Door Group	A-24
	B-1 - B-10

**CURTAIN, CUSHION AND PAD GROUP (CONTINUED)**

**BUCKET SEATS**

Key	Part Number	U/M	Description
	033897-08-000	EA	Seat Asm. - Single Bucket w/o Slides, Armrests or Headrests - w/Skirt - Olive
	033897-09-000	EA	Seat Asm. - Single Bucket w/o Slides, Armrests or Headrests - w/Skirt - Gold
	033975-07-000	EA	Cover - Single Bucket Seat - Back - Olive
	033975-08-000	EA	Cover - Single Bucket Seat - Back - Gold
	033977-07-000	EA	Cover - Single Bucket Seat Bottom - Olive
	033977-08-000	EA	Cover - Single Bucket Seat Bottom - Gold
	033902-08-000	EA	Seat Asm. - Double Bucket w/o Armrests or Headrests - w/Skirt - Olive
	033902-09-000	EA	Seat Asm. - Double Bucket w/o Armrests or Headrests - w/Skirt - Gold
	033983-07-000	EA	Cover - Double Bucket Seat Back - Olive
	033983-08-000	EA	Cover - Double Bucket Seat Back - Gold
	033984-07-000	EA	Cover - Double Bucket Seat - Bottom - Olive
	033984-08-000	EA	Cover - Double Bucket Seat - Bottom - Gold
	038645-04-000	EA	Skirt - Single Bucket Seat - Olive
	038645-05-000	EA	Skirt - Single Bucket Seat - Gold
	031133-01-000	EA	Seat Protector - Back Corner - Brown Plastic
	029136-01-000	EA	Grommet - Headrest - Brown Nylon
	029038-01-000	EA	Clip - Fastener - Armrest - 3/8"
	029039-01-000	EA	Clip - Fastener - Armrest - 1/2"

**PADS**

Key	Part Number	U/M	Description
	039869-01-000	EA	Pad - Wall Mount Armrest - Right - Olive
	039869-02-000	EA	Pad - Wall Mount Armrest - Right - Gold
	039868-01-000	EA	Pad - Wall Mount Armrest - Left - Olive
	039868-02-000	EA	Pad - Wall Mount Armrest - Left - Gold
	039696-01-000	EA	Pad - Radius Hat Channel - 10 7/8" x 4" - Antique Brown Vinyl
	039696-02-000	EA	Pad - Radius Hat Channel - 4 5/8" x 11" - Antique Brown Vinyl
	039888-01-000	EA	Pad - Overhead Bunk Board - Left - Antique Brown Vinyl
	039889-01-000	EA	Pad - Overhead Bunk Board - Right - Antique Brown Vinyl
	039697-01-000	EA	Pad - Quarter Panel - Right - Antique Brown Vinyl
	039698-01-000	EA	Pad - Quarter Panel - Left - Antique Brown Vinyl
	040202-01-000	EA	Pad - Dinette Wall Panel - Antique Brown Vinyl
	023485-09-000	EA	Pad - Dinette Back Frame - 74" - Antique Brown Vinyl
	023485-08-000	EA	Pad - Dinette Back Frame - 76 1/2" - Antique Brown Vinyl
	023651-04-000	EA	Button w/Nail - Brown Vinyl
	038777-03-000	EA	Cover - Toilet Seat - Brown
	038778-03-000	EA	Skirt - Toilet - Brown

**FABRICS**

Key	Part Number	U/M	Description
	030865-02-000	YD	Fabric - Upholstery - Floral - Olive
	033855-01-000	YD	Fabric - Upholstery - Floral - Gold
	037677-01-000	YD	Fabric - Drapery - Olive
	037677-02-000	YD	Fabric - Drapery - Gold
	037677-03-000	YD	Fabric - Drapery - Brown
	039174-01-000	YD	Fabric - Underdrapes - Ivory
	030176-01-000	YD	Vinyl - Antique Brown

**DINETTE GROUP**

Key	Part Number	U/M	Description
	024274-15-700	EA	Table Asm. - Dinette - Butcher Block w/o Hardware
	047842-01-000	EA	Wall Mount Kit - Dinette Table - Brown
	047809-01-000	EA	Leg Kit - Dinette Table - Brown
	037819-01-700	EA	Cabinet Asm. - Dinette Seat - Front w/o Door or Hardware
	037819-01-701	EA	Door Asm. - Dinette Seat Cabinet - 14" x 11 3/4" w/o Hardware
	037820-01-000	EA	Cabinet Asm. - Dinette Seat - Rear
	037896-01-700	EA	Cabinet Asm. - Dinette Overhead w/o Doors or Hardware
	037896-01-701	EA	Door Asm. - Dinette Overhead Cabinet - 26 5/16" x 14 1/8" w/o Hardware

**1975 WINNEBAGO  
TABLE OF CONTENTS**

D25CUL	A-1 - B-10
D-15	B-11 - C-18
D-21	C-19 - E-4
D23	E-5 - F-16
D23L	F-17 - H-2
D25	H-3 - I-12

**DRIVER'S COMPARTMENT GROUP**

**DASH PANEL AND COMPONENTS**

Key	Part Number	U/M	Description
	031623-01-000	EA	Dash Asm. - Complete w/Gauges and Switches
	022219-01-000	EA	Door - Glove Compartment
	009118-01-000	EA	Lock - Twist w/Key
	023892-01-000	EA	Box - Glove Compartment - Black Fiberboard
	009066-01-000	EA	Hinge - Continuous - Aluminum 1 1/16" x 72" Plain
	034309-01-000	EA	Chain - Bead - Glove Box Door
	023834-01-000	EA	Panel - Knee Kick (Bottom of Dash)
	024418-01-000	EA	Lamp Asm. - Map/Gauge
	007308-01-000	EA	Clock - Dash
	007037-01-000	EA	Lighter Asm. - Cigarette - 12 Volt
	007041-01-000	EA	Bezel - Cigarette Lighter
	023599-01-000	EA	Bezel - Entertainment Center - All Options
	024979-01-000	EA	Bezel - Entertainment Center - Lighter Only
	024760-01-000	EA	Bezel - Entertainment Center - Lighter, Clock, Radio and Fader
	007071-01-000	EA	Louver - Chrome - w/Chrome Wheel
	024990-01-000	EA	Outlet - Defroster w/Swivel - 2" Tan
	024906-01-000	EA	Diffuser Case - Air Conditioning - 2 1/2" Black
	023020-01-000	EA	Lamp Asm. - Tell Tale
	039044-01-000	EA	Louver Asm. - A/C Adjustable
	022548-02-000	EA	Pad - Dash - Foam - Right - Oxen Tan
	023242-02-000	EA	Pad - Dash - Foam - Left - Oxen Tan

**BUCKET SEAT PEDESTAL AND SEAT BELTS**

Key	Part Number	U/M	Description
	041459-01-000	EA	Pedestal - Top - Single Seat
	041460-01-000	EA	Pedestal - Top - Double Seat
	041654-01-000	EA	Pedestal Base - Single and Double Seat w/Tightener
	033832-01-000	EA	Rod - Seat Adjuster
	007223-01-000	EA	Adjuster Asm. - Seat w/Lock
	007227-01-000	EA	Adjuster Asm. - Seat w/o Lock
	007019-01-000	EA	Belt Asm. - Seat - 2" x 84" Black
	041322-01-000	EA	Washer - Flat - 15/32" I.D. x 2 3/8" O.D. - Seat Belt
	023680-01-000	EA	Bracket - Seat Belt
	007021-01-000	EA	Belt Asm. - Seat - 2" x 90" Black

**1975 D25CUL INDEX**

Floor Plan	A-1 - A-2
Accessories Group	A-3 - A-4
Bath Group	A-5
Chassis Group	A-5 - A-6
Curtain, Cushion & Pad Group	A-7 - A-9
Dinette Group	A-10
Driver's Compartment Group	A-10 - A-11
Electrical Group	A-12 - A-13
Exterior Body Group	A-14 - A-17
Galley Group	A-18
Heating & Air Conditioning Group	A-19
Interior Finish Group	A-20 - A-21
LP Group	A-22
Lounge Group	A-22
Water & Sewage Group	A-23
Window, Vent & Exterior Door Group	A-24
	B-1 - B-10

## DRIVER'S COMPARTMENT GROUP (CONTINUED)

### DASH SWITCHES AND GAUGES

Key	Part Number	U/M	Description
	024466-01-000	EA	Switch - Rear Wiper
	024976-01-000	EA	Switch - Generator w/o Circuit Board
	024461-01-000	EA	Switch - Battery
	024463-01-000	EA	Switch - Blinker
	024464-01-000	EA	Switch - Washer
	024465-01-000	EA	Switch - Fuel
	024467-01-000	EA	Switch - Wiper
	024462-01-000	EA	Switch - Battery Condition
	024907-01-000	EA	Control Asm. - Heater - A/C - 3 Speed
	031376-02-000	EA	Control Asm. - Heater - 2 Speed
	024459-01-000	EA	Gauge - Voltmeter
	024460-01-000	EA	Gauge - Vacuum
	031373-01-000	EA	Gauge - Aux. Fuel
	031035-01-000	EA	Gauge - Hourmeter

### FRONT OVERHEAD BUNK CABINET

Key	Part Number	U/M	Description
	031471-03-700	EA	Cabinet Asm. - Glide Away - Overhead
	031471-03-701	EA	Door - Sliding - Glide Away - Overhead
	009148-01-000	EA	Fingerpull
	009785-01-000	FT	Track - Sliding Door - Upper - Plastic
	009786-01-000	FT	Track - Sliding Door - Lower - Plastic

### MISCELLANEOUS DRIVERS COMPARTMENT COMPONENTS

Key	Part Number	U/M	Description
	034800-02-000	EA	Cover - Motor - Plastic
	020763-01-000	EA	Seal - Motor
	035023-01-000	FT	Tape - Windshield - 3/8" x 3/8" Butyl
	039857-01-000	EA	Latch - Rubber - Drawhandle - 5 3/4" w/Strike
	039856-01-000	EA	Latch - Rubber - Drawhandle - 3" w/Strike
	033860-01-000	EA	Cable - Fresh Air - Bowden - 52"
	007278-01-000	EA	Mirror - Inside - 4 1/2" x 9"
	031003-03-000	EA	Side Panel - Oxen Tan - Left
	031004-03-000	EA	Side Panel - Oxen Tan - Right
	022758-02-000	EA	Sunvisor Asm. - Right - Oxen Tan
	022759-02-000	EA	Sunvisor Asm. - Left - Oxen Tan

## ELECTRICAL GROUP

### BULBS

Key	Part Number	U/M	Description
	037935-01-000	EA	Bulb - 1157
	038010-01-000	EA	Bulb - 1143
	008103-01-000	EA	Bulb - 53
	008214-01-000	EA	Bulb - 67
	008215-01-000	EA	Bulb - 1003
	008216-01-000	EA	Bulb - 1034
	008217-01-000	EA	Bulb - 1071
	008218-01-000	EA	Bulb - 1141
	008219-01-000	EA	Bulb - 656
	008220-01-000	EA	Bulb - 12 Volt - 25 Watt
	036196-01-000	EA	Bulb - 194
	700020-01-000	EA	Bulb - 12 Volt - 20 Watt 1353
	008213-01-000	EA	Bulb - 57

### EXTERIOR LIGHTS

Key	Part Number	U/M	Description
	008089-01-000	EA	Light - Porch - Recessed
	039866-01-000	EA	Lens - Clearance Light - Round Amber
	039865-01-000	EA	Lens - Clearance Light - Round Red
	033562-01-000	EA	Light - Clearance - Oval Amber - 2 Bulb
	033748-01-000	EA	Light - Clearance - Oval Amber 1 Bulb
	033748-02-000	EA	Light - Clearance - Oval Red - 1 Bulb
	037585-01-000	EA	Lamp Asm. - Tail - Right
	037585-02-000	EA	Lamp Asm. - Tail - Left
	037585-03-000	EA	Lens - Tail Lamp - Right
	037585-04-000	EA	Lens - Tail Lamp - Left
	037586-01-000	EA	Lamp Asm. - Turn - Right
	037586-02-000	EA	Lamp Asm. - Turn - Left

### INTERIOR LIGHTS

Key	Part Number	U/M	Description
	007309-01-000	EA	Light - Stepwell
	008114-01-000	EA	Light - Dome - 12 Volt
	024473-01-000	EA	Light - Aircraft - 1 Bulb Gold
	033508-01-000	EA	Light - Dome - 1 Bulb
	033509-01-000	EA	Light - Dome - 2 Bulb
	024642-01-701	EA	Lens - Dome Light - 1 Bulb
	024643-01-701	EA	Lens - Dome Light - 2 Bulb
	039859-01-000	EA	Lighter - w/Night Light and Wall Plate

### WINDSHIELD WIPER AND WASHER

Key	Part Number	U/M	Description
	007029-01-000	EA	Washer Asm. - Electric - Front
	007191-01-000	EA	Washer Asm. - Electric - Rear
	037999-01-000	EA	Motor Asm. - Windshield Wiper
	037998-01-000	EA	Link Asm. - Connecting - 22.4" Long
	038000-01-000	EA	Blade - Windshield Wiper - 16"
	036001-01-000	EA	Shaft and Pivot Asm. - 2.25" Arm
	037997-01-000	EA	Arm - Windshield Wiper - 15"
	700073-05-000	EA	Pump and Cover Asm. - (Washer)
	700073-02-000	EA	Washer - Nozzle Hardware Package - Front

## 1975 WINNEBAGO TABLE OF CONTENTS

D25CUL	A-1 - B-10
D-19	B-11 - C-18
D-21	C-19 - E-4
D23	E-5 - F-16
D23L	F-17 - H-2
D25	H-3 - I-12

## 1975 D25CUL INDEX

Floor Plan	A-1 - A-2
Accessories Group	A-3 - A-4
Bath Group	A-5
Chassis Group	A-5 - A-6
Curtain, Cushion & Pad Group	A-7 - A-9
Dinette Group	A-10
Driver's Compartment Group	A-10 - A-11
Electrical Group	A-12 - A-13
Exterior Body Group	A-14 - A-17
Galley Group	A-19
Heating & Air Conditioning Group	A-19
Interior Finish Group	A-20 - A-21
LP Group	A-22
Lounge Group	A-22
Water & Sewage Group	A-23
Window, Vent & Exterior Door Group	A-24
	B-1 - B-10

## ELECTRICAL GROUP (CONTINUED)

### FUSES AND CIRCUIT BREAKERS

Key	Part Number	U/M	Description
	008233-01-000	EA	Fuse - 12 Volt - 6 Amp
	008234-01-000	EA	Fuse - 12 Volt - 10 Amp
	008235-01-000	EA	Fuse - 12 Volt - 15 Amp
	008236-01-000	EA	Fuse - 12 Volt - 20 Amp
	008248-01-000	EA	Fuse - 12 Volt - 30 Amp
	008272-01-000	EA	Fuse - 12 Volt - 9 Amp
	008251-01-000	EA	Fuse Holder - Black - Screw Type
	008212-01-000	EA	Circuit Breaker - 12 Volt - 5 Amp
	008208-01-000	EA	Circuit Breaker - 12 Volt - 40 Amp
	033573-01-000	EA	Circuit Breaker - 12 Volt - 20 Amp
	018266-01-000	EA	Circuit Breaker - 12 Volt - 30 Amp
	008299-01-000	EA	Circuit Breaker - 12 Volt - TQP 115
	008300-01-000	EA	Circuit Breaker - 12 Volt - TQP 230
	008296-01-000	EA	Load Center - 50 Amp - 6 Circuit
	008275-01-000	EA	Safety Block - Circuit Breaker

### WIRE, SWITCHES AND RECEPTACLES

Key	Part Number	U/M	Description
	003024-01-000	FT	Wire - 18.5 Bonded - Orange/White/Yellow/Blue/Brown
	006025-01-000	FT	Wire - 18.5 Bonded - Orange/White/Yellow/Blue/Green
	008028-01-000	FT	Wire - 18.5 Bonded - Blue/Red/Yellow/Orange/White
	008032-01-000	FT	Wire - 18.4 Bonded
	008195-01-000	EA	Switch - Push Button - 12 Volt
	003162-01-000	EA	Switch - Double Toggle - Spade Brown
	008163-01-000	EA	Switch - Toggle - Brown
	006077-01-000	EA	Plaque - Compressor Switch
	008054-01-000	EA	Power Cord - 25'
	008058-01-000	EA	Adaptor - Power Cord
	024924-01-000	EA	Receptacle - Power Cord w/Plate
	008157-01-000	EA	Receptacle - Duplex - Brown
	047351-01-000	EA	Receptacle - Ground Fault Interrupter - 125 Volt
	024571-01-000	EA	Cover Plate - Receptacle - Jumbo Steel Brown
	008164-01-000	EA	Cover Plate - Switch - Single Plastic Brown
	031295-01-000	EA	Receptacle - TV - 12 Volt - Brown

### MISCELLANEOUS ELECTRICAL COMPONENTS

Key	Part Number	U/M	Description
	039859-01-000	EA	Lighter w/Night Light and Wall Plate
	046775-01-000	EA	Valve Asm. - Fuel Changeover
	008188-01-000	EA	Solenoid - Dual Battery - Relay
	047389-01-000	EA	Battery - 12 Volt - 105 Amp. Deep Cycle - Dry
	047338-01-000	EA	Isolator - Dual Battery
	024417-01-000	EA	Panel - Control - Water/Double Sewage - Wemac
	011024-01-000	EA	Sending Unit - Water Tank - 5 Wire
	039861-01-000	EA	Sending Unit Kit - Wemac
	008257-01-000	EA	Convertor - 30 Amp. Electronic

## EXTERIOR BODY GROUP

### SEALANTS, ADHESIVES AND FASTENERS

Key	Part Number	U/M	Description
	034552-05-000	EA	Sealant - Off White Silicone
	034552-04-000	EA	Sealant - Beige Silicone
	034552-02-000	EA	Sealant - Clear - Silicone
	004348-02-000	EA	Sealant - Aluminum - Silicone
	004349-01-000	EA	Sealant - Black - Aluminum
	004342-01-000	EA	Sealant - Weather Ban - 202 Tube
	004346-02-000	EA	Sealant - White Silicone
	002316-01-000	FT	Sealer Tape - 3/32" x 3/8" - White
	024545-01-000	FT	Sealer Tape - 1/8" x 5/8" - Black
	004350-01-000	FT	Sealer Tape - 1/8" x 1" Formaseal
	004352-01-000	FT	Sealer Tape - 1/8" x 3/4" Formaseal
	004355-01-000	FT	Sealer Tape - 1/8" x 5/8" - Black
	004357-01-000	FT	Sealer Tape - 1/8" x 5/8" - Adhesive
	002707-02-000	FT	Sealer Tape - 5/16" x 1/2"
	002707-01-000	FT	Sealer Tape - 5/16" x 3/4" - Black Foam
	002708-01-000	FT	Sealer Tape - 5/16" x 1/2"
	004263-01-000	FT	Sealer Tape - 3/16" x 1/2" - Foam
	004352-01-000	FT	Sealer Tape - 1/8" x 5/8" - Foam
	009200-01-000	EA	Tape - Furnace 1 1/2"
	041839-01-000	FT	Tape - Window Latch 3/4" Adhesive
	041839-02-000	FT	Tape - Window Latch 1/2" Adhesive
	004353-01-000	FT	Tape - Gasket - 1/8" x 3/4" - White
	002825-01-000	FT	Weather Stripping - Roof Vent
	002377-01-000	FT	Adhesive - 3M - 1300 Tube
	004005-01-000	GL	Adhesive - Swifts - Green Glue (Sidewall)
	004012-01-000	EA	Adhesive - 3M - 4475 Tube
	004020-01-000	QT	Adhesive - ABS Cement (Plastic Fittings)
	029051-01-000	EA	Adhesive - Spray Vinyl
	042401-01-000	EA	Screw - 8 - 18 x 3/4" SDPH - Beige
	042403-01-000	EA	Screw - SF/DR - 8 - 18 x 1" - Beige
	005081-01-000	EA	Screw - Wood - 12-11 x 3" P.O.H. Zinc

### LABELS AND DECALS

Key	Part Number	U/M	Description
	006001-01-000	EA	Name Plate - Plastic - Winnebago Chrome
	006023-01-000	EA	Label - Water Only
	006025-01-000	EA	Label - Gas
	006031-01-000	EA	Label - Potable Water Only
	006040-01-000	EA	Tag - Gas Refueling Warning
	006187-01-000	EA	Label - Sewage
	006188-01-000	EA	Label - Waste Water
	006199-01-000	EA	Label - Exit - Escape Hatch
	006028-01-000	EA	Label - Drain Cap - 2" x 3"
	006084-01-000	EA	Label - Aux. Gas
	033284-01-000	EA	Decal - Grill - Flying W
	038403-01-000	EA	Decal - Logo - Winnebago - 2.8"
	041277-01-000	EA	Decal - Flying W - Right Brown
	041277-02-000	EA	Decal - Flying W - Left - Brown
	041273-01-000	FT	Decal - Stripe - 2" Black
	041274-01-000	EA	Decal - Striping - 2 1/2" Brown
	041275-01-000	EA	Decal - Curved Section - Right - Black
	041275-02-000	EA	Decal - Curved Section - Left - Black
	041276-01-000	EA	Decal - Custom Logo - Right - Brown
	041276-02-000	EA	Decal - Custom Logo - Left - Brown
	008092-01-000	EA	Reflector - Stick On - Rectangular - Red
	008093-01-000	EA	Reflector - Stick On - Rectangular - Amber

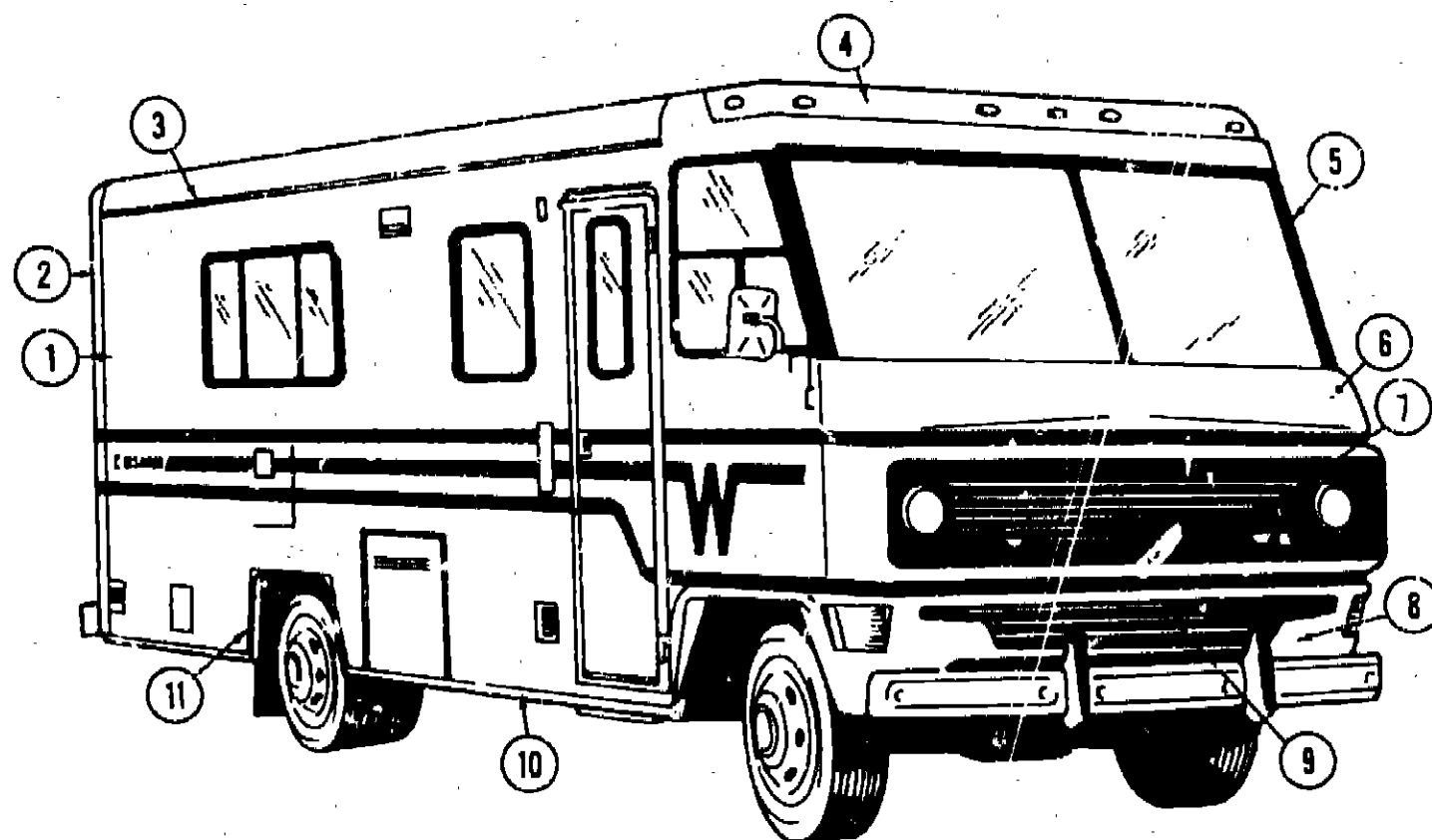
## 1975 WINNEBAGO TABLE OF CONTENTS

D25CUL	A-1 - B-10
D-19	B-11 - C-18
D-21	C-19 - E-4
D23	E-5 - F-16
D23L	F-17 - H-2
D25	H-3 - I-12

## 1975 D25CUL INDEX

Floor Plan	A-1 - A-2
Accessories Group	A-3 - A-4
Bath Group	A-5
Chassis Group	A-5 - A-6
Curtain, Cushion & Pad Group	A-7 - A-9
Dinette Group	A-10
Driver's Compartment Group	A-10 - A-11
Electrical Group	A-12 - A-13
Exterior Body Group	A-14 - A-17
Galley Group	A-18
Heating & Air Conditioning Group	A-19
Interior Finish Group	A-20 - A-21
LP Group	A-22
Lounge Group	A-22
Water & Sewage Group	A-23
Window, Vent & Exterior Door Group	A-24
	B-1 - B-10

EXTERIOR BODY GROUP (CONTINUED)



Key	Part Number	U/M	Description
1	044975-06-000	EA	Extr. - "J" Molding - 120" - Beige
2	040363-01-000	EA	Cap Asm. - Fiberglass w/Small Window Cutout - Rear
3	009717-02-002	EA	Extr. - Drip Rail - 19'
4	038512-01-000	EA	Cap Asm. - Fiberglass - Front - Above Windshield
5	037455-01-000	EA	Frame Asm. - Windshield w/o Glass
6	040362-01-000	EA	Cap Asm. - Fiberglass - Front - Below Windshield
7	037809-01-000	EA	Grille Asm. - Upper
8	038632-01-000	EA	Cap Asm. - Fiberglass - Lower Wraparound
9	038054-01-000	EA	Grille Asm. - Lower
10	037588-03-001	EA	Extr. - Rocker Panel - Beige

Key	Part Number	U/M	Description
11	039983-01-000	EA	Trim - Rear Wheelwell - Left or Right
	002776-02-001	EA	Extr. - Anod. - U-Channel - Serrated - 1 3/4" x 16'
	002779-02-001	EA	Extr. - Anod. - U-Channel - Ribbed - 1 3/4" x 16'
	002754-02-001	EA	Extr. - Anod. - Angle - 3/4" x 3/4" x 18'
	002365-02-001	EA	Extr. - Anod. - U-Channel - Serrated - 1" x 18'
	021497-01-000	EA	Latch Asm. - Grille
	038493-01-000	EA	Trim - Windshield - Right - Black
	038493-02-000	EA	Trim - Windshield - Left - Black
	038494-01-000	EA	Trim - Windshield - Center - Black
			Not Illustrated

1975 WINNEBAGO  
TABLE OF CONTENTS

D25CUL	A-1 - B-10
D-19	B-11 - C-18
D-21	C-19 - E-4
D23	E-5 - F-16
D23L	F-17 - H-2
D25	H-3 - I-12

1975 D25CUL INDEX

Floor Plan	A-1 - A-2
Accessories Group	A-3 - A-4
Bath Group	A-5
Chassis Group	A-5 - A-6
Curtain, Cushion & Pad Group	A-7 - A-9
Dinette Group	A-10
Driver's Compartment Group	A-10 - A-11
Electrical Group	A-12 - A-13
Exterior Body Group	A-14 - A-17
Galley Group	A-18
Heating & Air Conditioning Group	A-19
Interior Finish Group	A-20 - A-21
LP Group	A-22
Lounge Group	A-22
Water & Sewage Group	A-23
Window, Vent & Exterior Door Group	A-24
	B-1 - B-10



## EXTERIOR BODY GROUP (CONTINUED)

### EXTERIOR BODY PANELS AND SHEET ALUMINUM

Key	Part Number	U/M	Description
	037752-01-000	EA	Backwall - Asm.
	037751-01-000	EA	Roof Asm.
	037749-01-000	EA	Sidewall Asm. - Right
	037750-01-000	EA	Sidewall Asm. - Left
	040363-01-000	EA	Cap - Rear - Fiberglass
	040565-01-000	EA	Spare Tire Cover
	039155-02-008	EA	Aluminum - Beige Mesa Design - .024" x 36" x 60"
	039155-02-002	EA	Aluminum - Beige Mesa Design - .024" x 36" x 300"
	039155-02-003	EA	Aluminum - Beige Mesa Design - .024" x 36" x 360"
	039155-02-007	EA	Aluminum - Beige Mesa Design - .024" x 48" x 60"
	039155-02-015	EA	Aluminum - Beige Mesa Design - .024" x 48" x 300"
	039155-02-003	EA	Aluminum - Beige Mesa Design - .024" x 48" x 350"
	039155-02-009	EA	Aluminum - Beige Mesa Design - .024" x 12" x 360"
	028545-01-000	EA	Aluminum - Greyhound - .024" x 48" x 96"
	001010-01-024	EA	Aluminum - No Design - .024" x 48" x 96"
	000868-01-000	BF	Styrofoam - 3/4" x 24" x 96"
	000870-01-000	BF	Styrofoam - 1 1/2" x 24" x 96"

### EXTERIOR PAINT

Key	Part Number	U/M	Description
	044486-01-000	EA	Paint - Beige - Acrylic Enamel - 1 Gallon
	044486-03-000	EA	Paint - Beige - Acrylic Enamel - 16 Oz. Aerosol
	044486-04-000	EA	Paint - Beige - Acrylic Lacquer - 1 Gallon
	041561-01-000	EA	Paint - Off White - Acrylic Enamel - 1 Gallon
	041561-03-000	EA	Paint - Off White - Acrylic Enamel - 16 Oz. Aerosol
	041561-04-000	EA	Paint - Off White - Acrylic Lacquer - 1 Gallon

### MISCELLANEOUS EXTERNALLY MOUNTED PARTS

Key	Part Number	U/M	Description
	016253-01-000	EA	Fuel Fill - Recessed - Single Beige - 2 7/16" Hole
	016253-02-000	EA	Fuel Fill - Recessed - Single Beige - 2" Hole
	015587-05-000	EA	Fuel Fill - Recessed - Double Beige
	022620-02-000	EA	Water Fill - Recessed - Beige
	031564-01-000	EA	Handle - Assist - Recessed - White
	011129-01-000	EA	Plumbing Seal - Roof - White 1 1/2"
	011124-01-000	EA	Plumbing Seal - Roof - White 1 1/4"
	011005-01-000	EA	Spout - Water Fill - w/Gauge
	049347-01-000	EA	Mirror Head - 7 1/2" x 10 1/2" - Stainless Steel
	049348-01-000	EA	Arm - Low Mount Mirror - Bright Finish
	049944-01-000	EA	Bracket - Mirror - Outside - Beige

## GALLEY GROUP

Key	Part Number	U/M	Description
	037814-01-700	EA	Cabinet Asm. - Galley w/o Countertop, Drawers, Doors or Hardware
	037814-01-701	EA	Countertop Asm. - Galley Cabinet w/Cutout - Butcher Block
	037814-01-702	EA	Drawer Asm. - Galley Cabinet - 5 1/4" x 14 1/3" w/o Hardware
	037814-01-703	EA	Door Asm. - Galley Cabinet - 8 11/16" x 25 7/8" w/o Hardware
	041123-01-000	EA	Breadboard Asm. - Butcher Block
	037895-01-700	EA	Cabinet Asm. - Galley Overhead w/o Doors or Hardware
	037895-01-701	EA	Door Asm. - Galley Overhead Cabinet 14 1/8" x 20 1/16" w/o Hardware
	011033-01-000	EA	Sink - Stainless Steel Double - Large/Small w/Bolts
	011054-01-000	EA	Faucet Asm. - Swivel w/Single Handle and Aerator
	011054-01-700	EA	Aerator - Swivel Faucet
	006091-01-000	EA	Tray - Cutlery - Gold
	040435-01-000	EA	Galley Extension - Butcher Block w/Hardware
	009059-01-000	EA	Hinge - Galley Extension - 2" Gold
	009049-01-000	EA	Support - Galley Extension Table
	044829-07-000	EA	Sink Cover - Small - Butcher Block
	044830-07-000	EA	Sink Cover - Large - Butcher Block
**	034542-01-000	EA	Refrigerator - Winnebago - Two Door - W6
**	034544-01-000	EA	Refrigerator - Winnebago - Two Door - W7
**	034545-01-000	EA	Refrigerator - Winnebago - One Door - W6
**	003336-01-000	EA	Refrigerator - Dometic - One Door - RM66
**	003337-01-000	EA	Refrigerator - Dometic - Two Door - RM76
**	003016-01-000	EA	Range - Coleman Eyelevel - 2209C
**	046747-01-000	EA	Range - Coleman Eyelevel - 2209F
*	024669-01-000	EA	Hood - Range - Eyelevel Oven - Strawine
*	024669-01-700	EA	Filter - Range Hood - Eyelevel Oven - Strawine
			<b>Not Illustrated</b>

\*\* The illustrated parts breakdown for this item is provided on the Common Items Fiche.

## 1975 WINNEBAGO TABLE OF CONTENTS

D25CUL	A-1 - B-10
D-19	B-11 - C-18
C-21	C-19 - E-4
D23	E-5 - F-16
D23L	F-17 - H-2
D25	H-3 - I-12

## 1975 D25CUL INDEX

Floor Plan	A-1 - A-2
Accessories Group	A-3 - A-4
Bath Group	A-5
Chassis Group	A-5 - A-6
Curtain, Cushion & Pad Group	A-7 - A-9
Dinette Group	A-10
Driver's Compartment Group	A-10 - A-11
Electrical Group	A-12 - A-13
Exterior Body Group	A-14 - A-17
Galley Group	A-18
Heating & Air Conditioning Group	A-19
Interior Finish Group	A-20 - A-21
LP Group	A-22
Lounge Group	A-22
Water & Sewage Group	A-23
Window, Vent & Exterior Door Group	A-24
	B-1 - B-10

# HEATING AND AIR CONDITIONING GROUP

## EVANS AUTOMOTIVE HEATING AND AIR CONDITIONING

Key	Part Number	U/M	Description
	033922-01-000	EA	Evaporator - Air Conditioner
	033932-01-000	EA	Valve - Expansion
	033938-01-000	EA	Core - Heater
	035459-01-701	EA	Blower Asm. - 3 Speed w/Motor
	033926-01-000	EA	Cold Control
	035459-01-704	EA	Resistor - Evans Heater
	040217-01-000	EA	Switch - Fan - 3 Speed Evans
	033933-01-000	EA	Compressor - Auto Air - Evans
	033855-01-000	EA	Condenser - Radiator Mount - Evans
	033854-01-000	EA	Receiver Drier
	033934-01-000	EA	Clutch - Compressor - Evans
	048229-01-000	EA	Kit - Auto Air - 440 - Evans
**	003135-01-000	EA	Furnace - Coleman - 23,000 B.T.U. - 4023
**	003136-01-000	EA	Furnace - Coleman - 28,000 B.T.U. - 4028
**	003140-01-000	EA	Furnace - Coleman - 30,000 B.T.U. - 4030
**	041603-01-000	EA	Furnace - Coleman - 23,000 B.T.U. - 4225
**	041604-01-000	EA	Furnace - Coleman - 28,000 B.T.U. - 4230
**	041605-01-000	EA	Furnace - Coleman - 31,000 B.T.U. - 4235
**	003119-01-000	EA	Furnace - Suburban - 16,000 B.T.U. - NT16
**	034014-01-000	EA	Furnace - Lear Siegler - 32,000 B.T.U. - SRF32
**	003126-01-000	EA	Air Conditioner Asm. - Roof Mount - 10,000 BTU Mach I - Coleman w/o Inside Shroud
**	031880-01-000	EA	Air Conditioner Asm. - Roof Mount - 13,500 BTU Mach III - Coleman w/o Inside Shroud
**	049777-01-000	EA	Air Conditioner - Roof Mount - Ivory - 11,000 BTU Coleman - w/o Inside Shroud
**	049774-01-000	EA	Air Conditioner - Roof Mount - Ivory - 13,500 BTU Coleman - w/o Inside Shroud
**	041738-01-000	EA	Shroud Asm. - Air Conditioner - Inside Ceiling Cool Only - Mach I or Mach III
**	049778-01-000	EA	Shroud Asm. - Air Conditioner - Inside Ceiling Cool Only - 11,000 BTU - Ivory
**	049775-01-000	EA	Shroud Asm. - Air Conditioner - Inside Ceiling Cool Only, 13,500 BTU - Ivory
**	049776-01-000	EA	Shroud Asm. - Air Conditioner - Inside Ceiling Heat and Cool - 13,500 BTU - Ivory

\*\* The illustrated parts breakdown for this item is provided on the Common Items Fiche.

# INTERIOR FINISH GROUP

## PANELING AND COUNTERTOP MATERIALS

Key	Part Number	U/M	Description
	037679-01-000	SF	Panel - Ivory Linen - 48" x 96"
	024944-01-000	SF	Panel - Aztec - Gold Green 48" x 96"
	024951-01-000	SF	Panel - Bath Wall White
	037681-01-000	SF	Panel - Burlwood - 48" x 96"
	024942-01-000	SF	Panel - 150 Cherry - 48" x 96"
	000726-02-000	EA	Batt Strip - 150 Cherry
	037682-01-000	SF	Plastic Laminate - 48" x 96" - Butcher Block
	033204-01-000	SF	Plastic Laminate - Antique Leather - 48" x 96"
	009814-05-000	FT	T-Molding - Brown
	009814-06-000	FT	T-Molding - Tan Butcherblock

## FABRICS AND CARPET

Key	Part Number	U/M	Description
	038865-02-000	YD	Fabric - Upholstry - Green
	030865-01-000	YD	Fabric - Upholstry - Gold
	037677-01-000	YD	Fabric - Drape - Outer - Green
	037677-02-000	YD	Fabric - Drape - Outer - Gold
	037677-03-000	YD	Fabric - Drape - Outer - Brown
	039174-01-000	YD	Fabric - Drape - Inner - Ivory
	039176-01-000	YD	Vinyl - Nonsupport Brown
	037678-03-000	SY	Carpet Brown Coral Palms 511

## INTERIOR MOLDINGS AND TRIMS

Key	Part Number	U/M	Description
	009779-01-000	FT	U-Channel - 1 1/8" - Dark Brown
	009778-01-000	FT	U-Channel - 1" - Dark Brown
	009780-01-000	FT	U-Channel - 1 1/4" - Dark Brown
	009720-01-000	EA	Cover - Roll Bar - White - 85.44"
	023221-01-000	EA	Corner - Cover - Rollbar
	034113-02-000	EA	Corner - Cover - Support Bar - Brown
	031575-01-000	EA	Cover - Support Bar - Right
	031575-02-000	EA	Cover - Support Bar - Left
	024700-03-000	EA	Cover - Sidewall - Roll Bar - White
	022756-01-000	EA	Cover - A/C Heater
	022755-01-000	EA	Cover - Control Panel - Plastic
	034689-01-000	EA	Cover - Screw - 10 PPH - Plastic - White
	009814-06-000	FT	T-Molding - Tan - Butcher Block
	009814-05-000	FT	T-Molding - Brown
	009812-03-000	FT	Molding - Plastic - Outside Corner - .50"
	009767-01-000	FT	Welling - Brown
	018501-01-000	EA	Pocket - Side Panel - Plastic
	039697-01-000	EA	Quarter Panel Asm. - Front Right Side
	039698-01-000	EA	Quarter Panel Asm. - Front Left Side

## 1975 WINNEBAGO TABLE OF CONTENTS

D25CUL	A-1 - B-10
D-19	B-11 - C-18
D-21	C-19 - E-4
D23	E-5 - F-16
D23L	F-17 - H-2
D25	H-3 - I-12

## 1975 D25CUL INDEX

Floor Plan	A-1 - A-2
Accessories Group	A-3 - A-4
Bath Group	A-5
Chassis Group	A-5 - A-6
Curtain, Cushion & Pad Group	A-7 - A-9
Dinette Group	A-10
Driver's Compartment Group	A-10 - A-11
Electrical Group	A-12 - A-13
Exterior Body Group	A-14 - A-17
Galley Group	A-18
Heating & Air Conditioning Group	A-19
Interior Finish Group	A-20 - A-21
LP Group	A-22
Lounge Group	A-22
Water & Sewage Group	A-23
Window, Vent & Exterior Door Group	A-24
	B-1 - B-10

## INTERIOR FINISH GROUP (CONTINUED)

### CURTAIN HARWARE

Key	Part Number	U/M	Description
	052327-04-236	EA	Curtain Track - Brown - 89" - Aluminum Replaces - 009108-01-000 - Marine Track
	009107-01-000	EA	Guide - Nylon - For Curtain Track 052327-04-236
	018031-42-000	EA	Track - Curtain - L Rod - Aluminum 90"
	009701-01-000	EA	Carrier w/Rollers - L - Rod
	009702-01-000	EA	End Stop - Curtain - L Rod
	020438-01-000	EA	Track - Curtain - Left Front
	021495-01-000	EA	Track - Curtain - Right Front

### CABINETS AND TABLE HARDWARE

Key	Part Number	U/M	Description
	009047-01-000	EA	Holder - Door - Overhead
	009051-01-000	EA	Warp Guard - 48"
	009112-01-000	EA	Flange - 1" Rod Chrome
	047842-01-000	EA	Kit - Dinette Table Leg
	047809-01-000	EA	Kit - Dinette Table Hardware - Wall Mount
	044559-01-000	EA	Kit - Pull Asm. - Drawer
	044560-01-000	EA	Hinge Kit Asm. - Lower Door
	044561-01-000	EA	Hinge Kit Asm. - Upper Door
	044562-01-000	EA	Latch Kit Asm. - Flush Upper Door
	044563-01-000	EA	Latch Kit Asm. - Flush Lower Door

### MISCELLANEOUS PARTS

Key	Part Number	U/M	Description
	041944-01-700	EA	Extinguisher - Fire w/Bracket - Dry
	006098-01-000	EA	Mirror Inside - 1/8" x 9" x 16" Beveled
	009096-01-000	EA	Mirror Inside - 1/8" x 12" x 42"
	009089-01-000	EA	Clip - Mirror - Plastic w/Screw
	007021-01-000	EA	Belt Asm. - Seat - 2" x 90" - Black
	007019-01-000	EA	Belt Asm. - Seat - 2" x 84" - Black
	023686-01-000	EA	Bracket - Seat Belt
	024730-01-000	EA	Grill - Plastic - 12.4" x 5.9" - Brown (Furnace Duct)
	024985-01-000	EA	Register - Heat - w/Damper 9.9" x 4.8"
	009169-01-000	EA	Grill - Plastic - 15.7" x 17.1" - Brown (Furnace)

## LP GROUP

Key	Part Number	U/M	Description
	015253-01-000	EA	Compartment - LP - Black Plastic
	008803-01-000	EA	Tank - LP - 40 Pound Vertical
	045703-01-000	EA	Hose Asm. - LP - 3/8" I.D. x 24"
	008815-01-000	EA	Regulator - LP - Automatic
	008820-01-000	EA	Hose Asm. - LP - 1/4" I.D. x 16" - Flexible
	015409-01-000	EA	Strap Asm. - LP Bottle

## 1975 WINNEBAGO TABLE OF CONTENTS

D25CUL	A-1 - B-10
D-19	B-11 - C-18
D-21	C-19 - E-4
D23	E-5 - F-16
D23L	F-17 - H-2
D25	H-3 - I-12

## LOUNGE GROUP

Key	Part Number	U/M	Description
	040576-01-000	EA	Rack - Magazine - Wooden
	037815-01-701	EA	Door Asm. - Twin Bed Cabinet - 17 1/2" x 11 3/4" w/o Hardware
	037816-01-000	EA	Cabinet Asm. - Twin Bed - Right - 76
	037897-01-700	EA	Cabinet Asm. - Twin Bed Overhead - Left w/o Door or Hardware
	037898-01-700	EA	Cabinet Asm. - Twin Bed Overhead - Right w/o Door or Hardware
	037897-01-701	EA	Door Asm. - Twin Bed Overhead - 14 1/8" x 30 7/16" w/o Hardware
	038477-01-700	EA	Cabinet Asm. - Dresser w/o Drawer, Door, Countertop or Hardware
	038477-01-701	EA	Countertop Asm. - Dresser Cabinet
	038477-01-702	EA	Drawer Asm. - Dresser Cabinet - 4 1/8" x 19 1/8" w/o Hardware
	038477-01-701	EA	Door Asm. - Dresser Cabinet - 15 1/4" x 19 1/8" w/o Hardware

## 1975 D25CUL INDEX

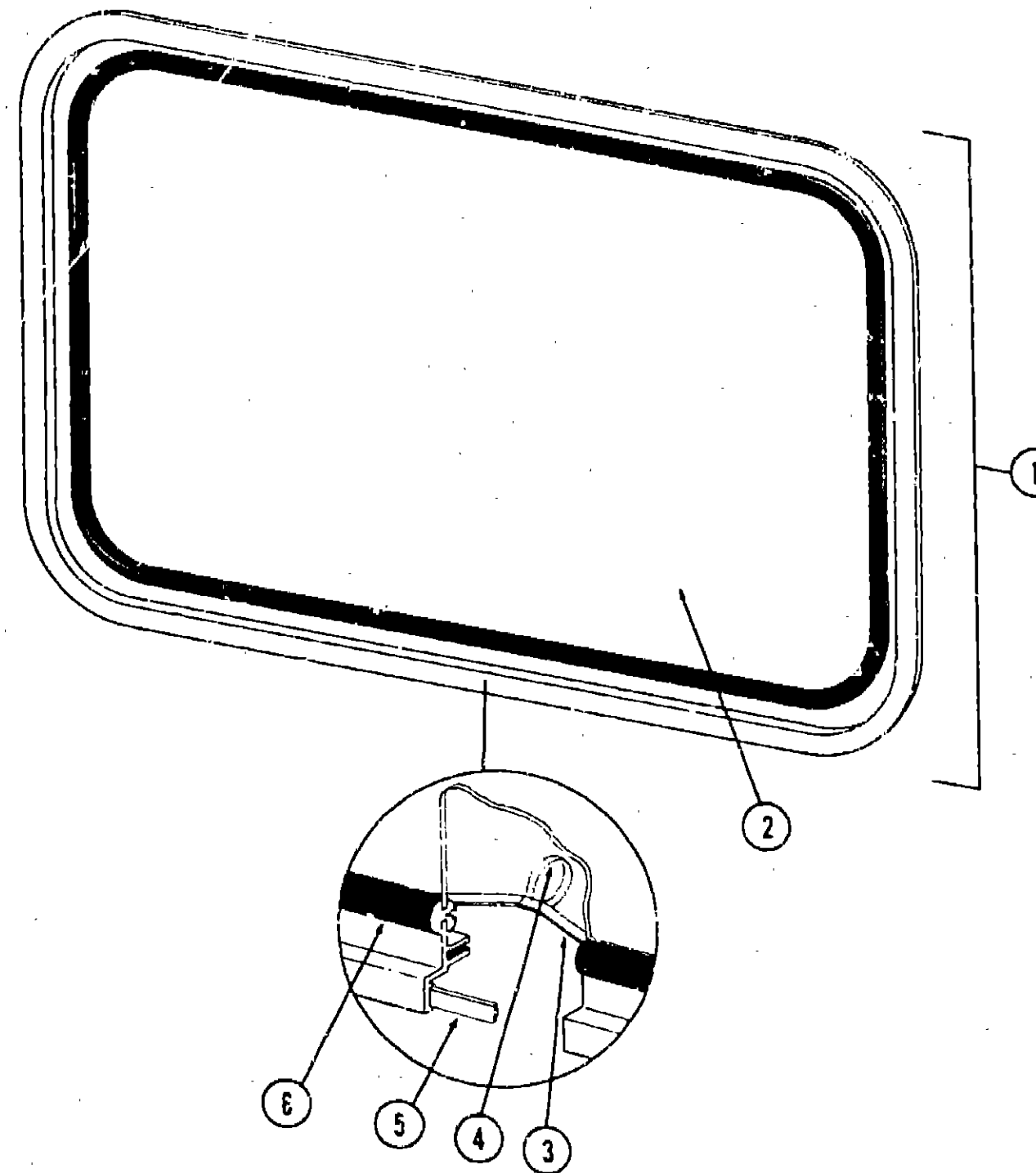
Floor Plan	A-1 - A-2
Accessories Group	A-3 - A-4
Bath Group	A-5
Chassis Group	A-5 - A-6
Curtain, Cushion & Pad Group	A-7 - A-9
Dinette Group	A-10
Driver's Compartment Group	A-10 - A-11
Electrical Group	A-12 - A-13
Exterior Body Group	A-14 - A-17
Galley Group	A-18
Heating & Air Conditioning Group	A-19
Interior Finish Group	A-20 - A-21
LP Group	A-22
Lounge Group	A-22
Water & Sewage Group	A-23
Window, Vent & Exterior Door Group	A-24
	B-1 - B-10

## WATER AND SEWAGE GROUP

Key	Part Number	U/M	Description
	010201-01-000	EA	Hose - Sewer - 3" x 10' w/Clamp
	010205-01-000	EA	Valve - Sanitary - Theford 3XB
	010234-01-000	EA	Bayonet - Sewer Hose - Plastic
	010235-01-000	EA	Cap - Sewage - 3" Plastic
	010236-01-000	EA	Adapter - 3" Sewage Hose
	011066-01-000	EA	P-Trap - 1 1/4" Plastic
	011091-01-000	EA	Waste - Continuous - Double Sink - 11 7/8"
	011005-01-000	EA	Spout - Water Fill w/Gauge
	700066-01-000	EA	Gauge - Water Fill Spout
	016727-01-000	EA	Tank Asm. - Water - Galvanized - 27 Gallon
	011024-01-000	EA	Sending Unit - Water Tank - 5 Wire
	031383-01-000	EA	Tank Asm. - Holding - Main w/Fittings - Plastic
	014903-01-000	EA	Tank - Holding - Main w/o Fittings - Plastic
	038838-01-000	EA	Tank Asm. - Holding - Auxillary w/Fittings - Plastic
	038831-01-000	EA	Tank - Holding - Auxillary - w/o Fittings - Plastic
	048524-01-000	EA	Kit - Fittings - Plastic Holding Tank
	023833-01-000	EA	Compressor - 12 Volt - Air - Water Systems
	023833-01-700	EA	Switch - Pressure - Air Compressor
	004020-01-000	QT	Cement - ABS - Plastic Pipe Fittings
**	051391-01-000	EA	Water Heater - Atwood Bowen - G6A2
**	031992-01-000	EA	Water Heater - Atwood Bowen - GH6

\*\* The illustrated parts breakdown for this item is provided on the Common Items Fiche

## WINDOW, VENT AND EXTERIOR DOOR GROUP



Key	Part Number	U/M	Description
1	020751-03-000	EA	Window Asm - Escape - 23" x 29" - w/o Insided Frame
2	002174-01-000	EA	Glass - 1/8" x 19.61" x 25.92"
3	002285-01-000	FT	Weatherstrip - Filler - Black
4	020395-01-000	EA	Slip Ring - Pull
5	004363-01-000	FT	Tape - Foam - 3/16" x 1/2" - Gray - Inside
6	002282-01-000	FT	Weatherstrip - Window - .125" - Black
*	020749-03-000	EA	Frame - Window - Inside - 23" x 29" - Brown - Not Included with Asm.
*	006199-01-000	EA	Label - Exit - Escape Window
*			Not Illustrated

## 1975 WINNEBAGO TABLE OF CONTENTS

D25CUL	A-1 - B-10
D-19	B-11 - C-18
D-21	C-19 - E-4
D23	E-5 - F-16
D23L	F-17 - H-2
D25	H-3 - I-12

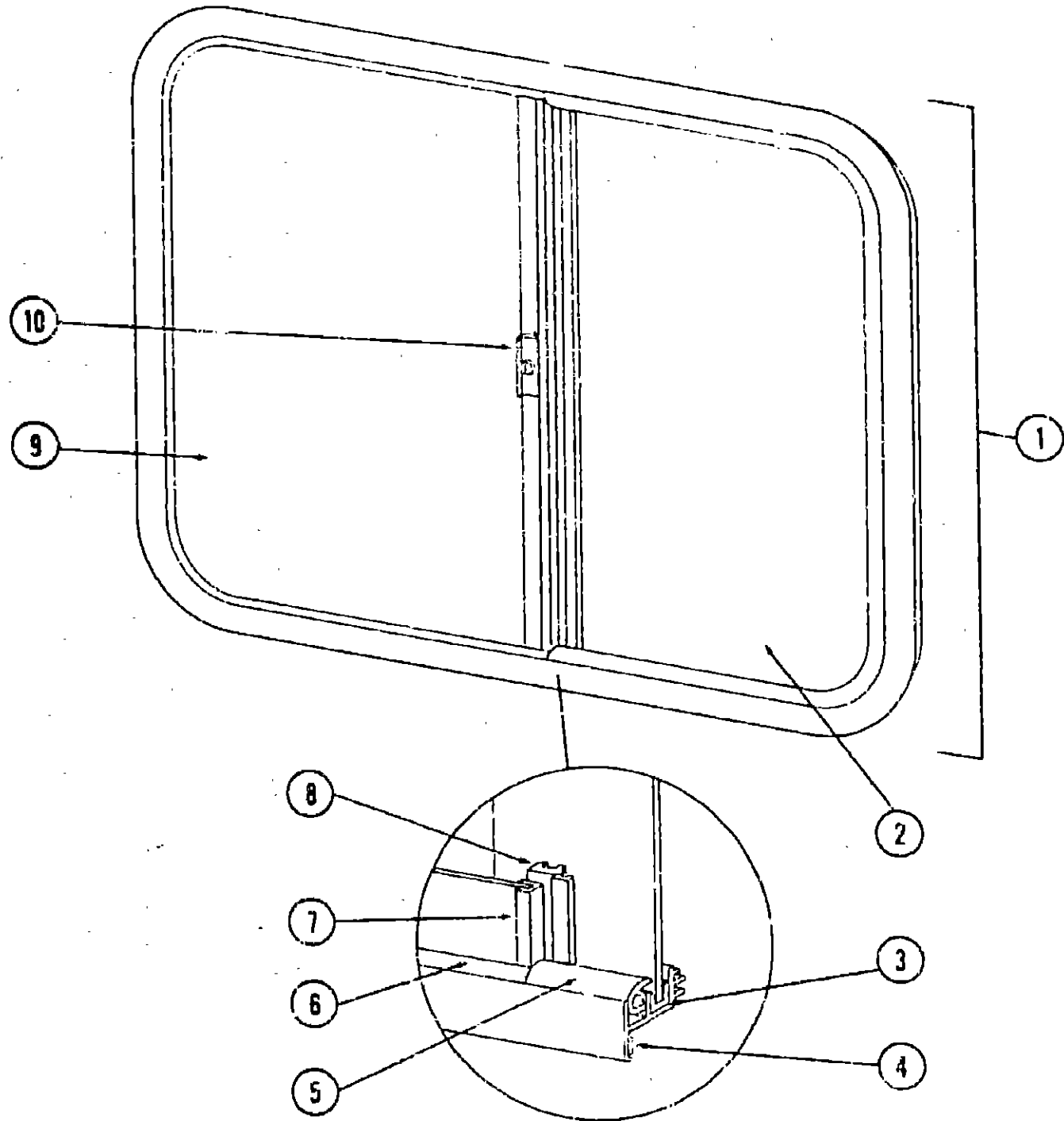
## 1975 D25CUL INDEX

Floor Plan	A-1 - A-2
Accessories Group	A-3 - A-4
Bath Group	A-5
Chassis Group	A-5 - A-6
Curtain, Cushion & Pad Group	A-7 - A-9
Dinette Group	A-10
Driver's Compartment Group	A-10 - A-11
Electrical Group	A-12 - A-13
Exterior Body Group	A-14 - A-17
Galley Group	A-18
Heating & Air Conditioning Group	A-19
Interior Finish Group	A-20 - A-21
LP Group	A-22
Lounge Group	A-22
Water & Sewage Group	A-23
Window, Vent & Exterior Door Group	A-24
	B-1 - B-10

WINDOW, VENT AND EXTERIOR DOOR GROUP (CONTINUED)

WINDOW, VENT AND EXTERIOR DOOR GROUP (CONTINUED)

Key	Part Number	U/M	Description
1	048331-11-000	EA	Window Asm. - Radius - Right Slider - 25" x 29" Black w/o Inside Frame
2	002187-02-000	EA	Glass - 3/16" x 24" x 21.028" - Sliding w/o Holes Used w/Aluminum Latch
	047822-01-000	EA	Glass - 3/16" x 24" x 21.028" - Sliding w/Holes Used w/Plastic Latch
3	042077-01-000	FT	Channel - Weatherstrip - Glass Run
4	004363-01-000	FT	Tape - Foam - 3/16" x 1/2" - Gray - Inside
5	002309-01-000	FT	Spline - Glass - 1/8" - Gray
6	002283-02-000	FT	Seal - Window Channel - Window w/Aluminum Latch
	041982-01-000	FT	Seal - Window Channel - Window w/Plastic Latch
7	018025-01-000	EA	Holder - Glass Seal - Anod. Clear
8	018014-05-000	EA	Mullion - Slider Window - Used w/Aluminum Latch
	041894-04-000	EA	Mullion - Slider Window - Used w/Plastic Latch
9	002184-02-000	EA	Glass - 3/16" x 24" x 18" - Stationary
10	047369-01-700	EA	Latch Asm. - Plastic
	023275-01-000	EA	Latch Asm. - Aluminum
	042147-09-000	EA	Inside Frame - 25" x 29" - Brown - Window w/Plastic Latch Not Included in Asm.
	035276-04-000	EA	Inside Frame - 25" x 29" - Brown - Window w/Aluminum Latch Not Included in Asm.
	023713-02-000	EA	Cover - Weephole - Black Plastic
	041839-01-000	FT	Tape - Foam - Aluminum Window Latch
	002296-01-000	FT	Spline Screen - .130" Dia. - Gray
	002293-01-000	SF	Screen - Window - 26" - Gray
			Not Illustrated



1975 WINNEBAGO  
TABLE OF CONTENTS

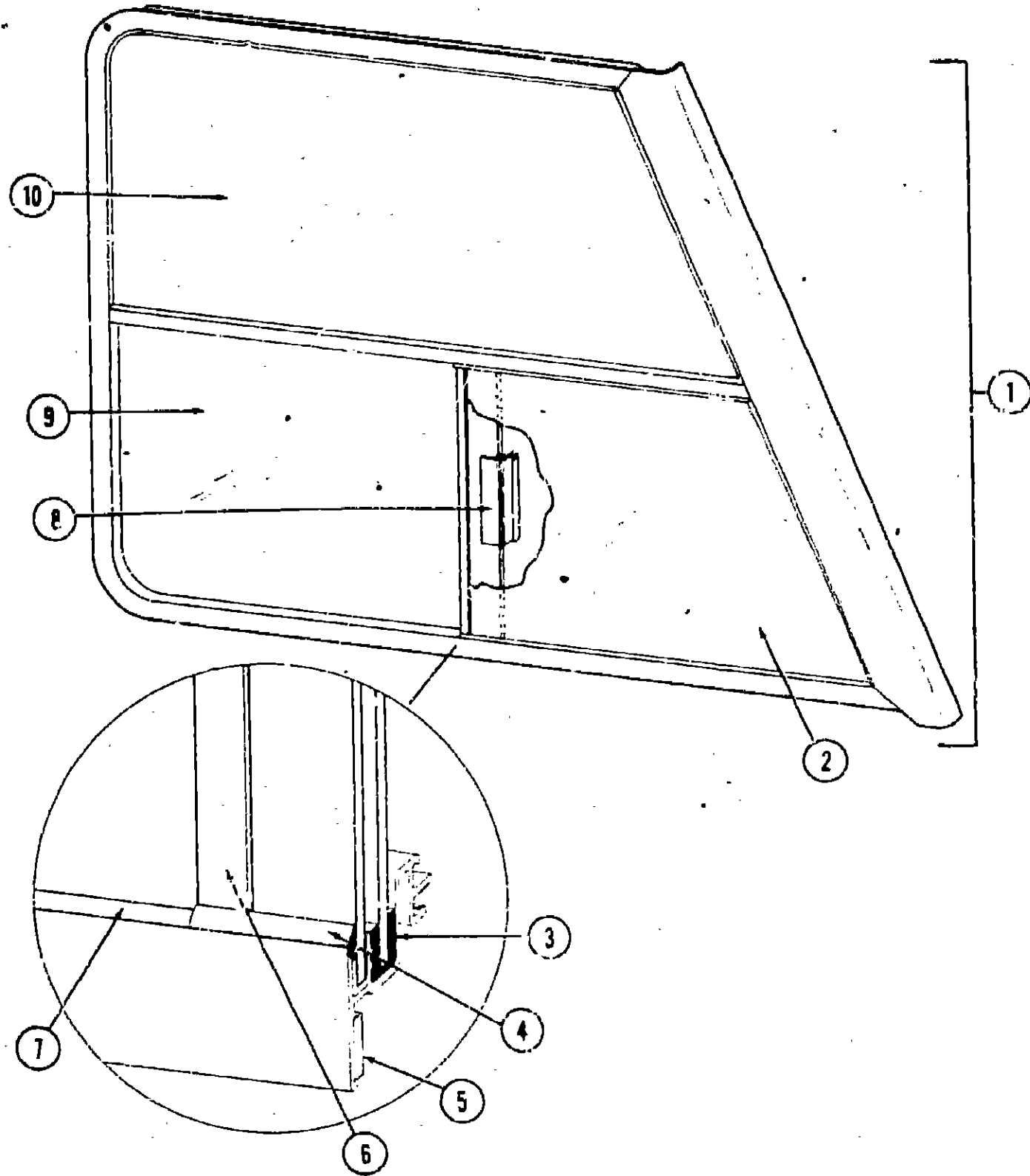
D25CUL	A-1 - B-10
D-19	B-11 - C-18
D-21	C-19 - E-4
D25	E-5 - F-16
D23L	F-17 - H-2
D25	H-3 - I-12

1975 D25CUL INDEX

Floor Plan	A-1 - A-2
Accessories Group	A-3 - A-4
Bath Group	A-5
Chassis Group	A-5 - A-6
Curtain, Cushion & Pad Group	A-7 - A-9
Dinette Group	A-10
Driver's Compartment Group	A-10 - A-11
Electrical Group	A-12 - A-13
Exterior Body Group	A-14 - A-17
Galley Group	A-18
Heating & Air Conditioning Group	A-19
Interior Finish Group	A-20 - A-21
LP Group	A-22
Lounge Group	A-22
Water & Sewage Group	A-23
Window, Vent & Exterior Door Group	A-24
	B-1 - B-10

**WINDOW, VENT AND EXTERIOR DOOR GROUP (CONTINUED)**

**WINDOW, VENT AND EXTERIOR DOOR GROUP (CONTINUED)**



Key	Part Number	U/M	Description
1	037870-01-000	EA	Window Asm. - Black - Radius - Right Slanted Slider - w/o Inside Frame
	037870-02-000	EA	Window Asm. - Black - Radius - Left Slanted Slider - w/o Inside Frame
2	037634-01-000	EA	Glass - 13.81" x 21.12" x 14.97"
3	002324-01-000	FT	Channel - Weatherstrip - Glass Run - 1/8" Glass
4	024096-01-000	FT	Seal - Window Channel - Gray
5	004363-01-000	FT	Tape - Foam - 3/16" x 1/2" - Gray
6	018025-03-000	EA	Holder - Glass Seal - Black Anod.
7	002309-02-000	FT	Spline - Glass - 1/8" Black
8	023275-01-000	EA	Latch Asm. - Window
9	037633-01-000	EA	Glass - 13.81" x 18.94" - Sliding
10	037635-01-000	EA	Glass - 13.72" x 31.91" x 25.78"
	037453-01-000	EA	Frame - Inside - Front Slanted Slider - Right
	037453-02-000	EA	Frame - Inside - Front Slanted Slider - Left
	023713-02-000	EA	Cover - Weep-hole - Plastic - Black
	002293-01-000	SF	Screen - Window - 26" - Gray
			Not Illustrated

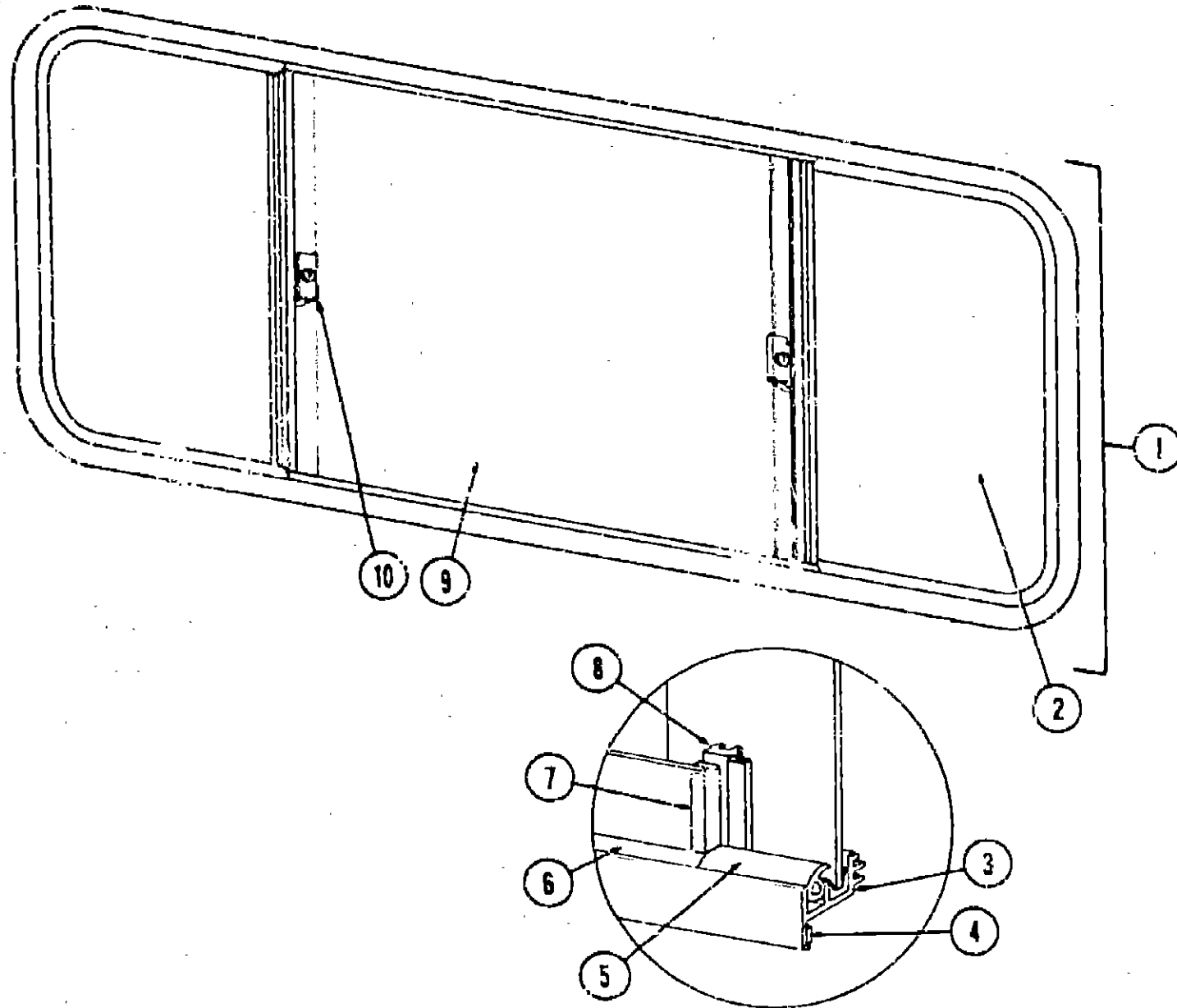
**1975 WINNEBAGO  
TABLE OF CONTENTS**

D25CUL	A-1 - B-10
D-19	B-11 - C-18
D-21	C-19 - E-4
D23	E-5 - F-16
D23L	F-17 - H-2
D25	H-3 - I-12

**1975 D25CUL INDEX**

Floor Plan	A-1 - A-2
Accessories Group	A-3 - A-4
Bath Group	A-5
Chassis Group	A-6 - A-6
Curtain, Cushion & Pad Group	A-7 - A-9
Dinette Group	A-10
Driver's Compartment Group	A-10 - A-11
Electrical Group	A-12 - A-13
Exterior Body Group	A-14 - A-17
Galley Group	A-18
Heating & Air Conditioning Group	A-19
Interior Finish Group	A-20 - A-21
LP Group	A-22
Lounge Group	A-22
Water & Sewage Group	A-23
Window, Vent & Exterior Door Group	A-24
	B-1 - B-10

**WINDOW, VENT AND EXTERIOR DOOR GROUP (CONTINUED)**



Key	Part Number	U/M	Description
1	048630-00-000	EA	Window Asm. - Double Slider - 25" x 65" - Black Anod. - w/Plastic Latch - w/o Inside Frame
2	047822-01-000	EA	Glass - 3/16" x 24" x 21.028" - Sliding w/Holes (Used w/Plastic Latch)
	002187-02-000	EA	Glass - 3/16" x 24" x 21.028" - Sliding w/Holes (Used w/Aluminum Latch)
3	042077-01-000	FT	Channel - Weatherstrip - Glass Run - 3/16" Glass
4	004363-01-000	FT	Tape - Foam - 3/16" x 1/2" - Gray
5	041982-01-000	FT	Seal - Window Channel - 3/16" - Used with Plastic Latch
	002283-02-000	FT	Seal - Window Channel - 3/16" - Used w/Aluminum Latch
6	050216-02-000	FT	Spline - Glass - 3/16" - Black
7	002389-03-203	EA	Holder - Glass Seal - Black Anod.
8	041894-04-000	EA	Mullion - Slider Window - 25" - Used w/Plastic Latch
	018014-05-000	EA	Mullion - Slider Window - Used w/Aluminum Latch
9	002188-02-000	EA	Glass - 3/16" x 24" x 25" - Stationary
10	047369-01-700	EA	Latch Asm. - Window - Plastic w/Fastener
	023275-01-000	EA	Latch Asm. - Window - Aluminum
	041839-01-000	FT	Tape - Foam - Aluminum Window Latch
	002298-01-000	FT	Spline - Screen - .133" Dia. - Gray
	002293-01-000	SF	Screen - Window - 26" - Gray
	023713-02-000	EA	Cover - Weephole - Black Plastic
	042133-04-000	EA	Frame - Window - Inside - 25" x 65" - Used w/Plastic Latch
	035277-04-000	EA	Frame - Window - Inside - 25" x 65" - Used w/Aluminum Latch

Not Illustrated

**WINDOW, VENT AND EXTERIOR DOOR GROUP (CONTINUED)**

**ACCESS DOORS**

Key	Part Number	U/M	Description
	016088-01-000	EA	Door Asm. - 9" x 10" - Left - Beige Plastic w/Twist Type Lock
	018526-01-000	EA	Door Asm. - 9" x 10" - Right - Beige Plastic w/Twist Type Lock
	037804-01-000	EA	Door Asm. - Battery - Beige w/Twist Type Lock
	037804-02-000	EA	Door Asm. - Luggage - Beige w/Key Type Lock
	037805-01-000	EA	Door Asm. - L P Beige w/Twist Type Lock
	037806-01-000	EA	Door Asm. - Generator - Beige w/Twist Type Lock
	037807-01-000	EA	Door Asm. - Refrigerator Access - Beige w/Twist Type Lock
	047305-01-000	EA	Lock Asm. - Key Type w/Clip
	039884-01-000	EA	Lock Asm. - Twist Type w/Clip
	003182-03-000	EA	Door Asm. - Water Heater Access - Off White

**WINDSHIELD**

Key	Part Number	U/M	Description
	037455-01-000	EA	Frame Asm. - Windshield w/o Glass
	034975-02-000	EA	Glass - Windshield - Left or Right
	038493-01-000	EA	Trim - Windshield - Right
	038493-02-000	EA	Trim - Windshield - Left
	034900-01-000	EA	Cap - Windshield - Top Center - Tee - Black

**1975 WINNEBAGO  
TABLE OF CONTENTS**

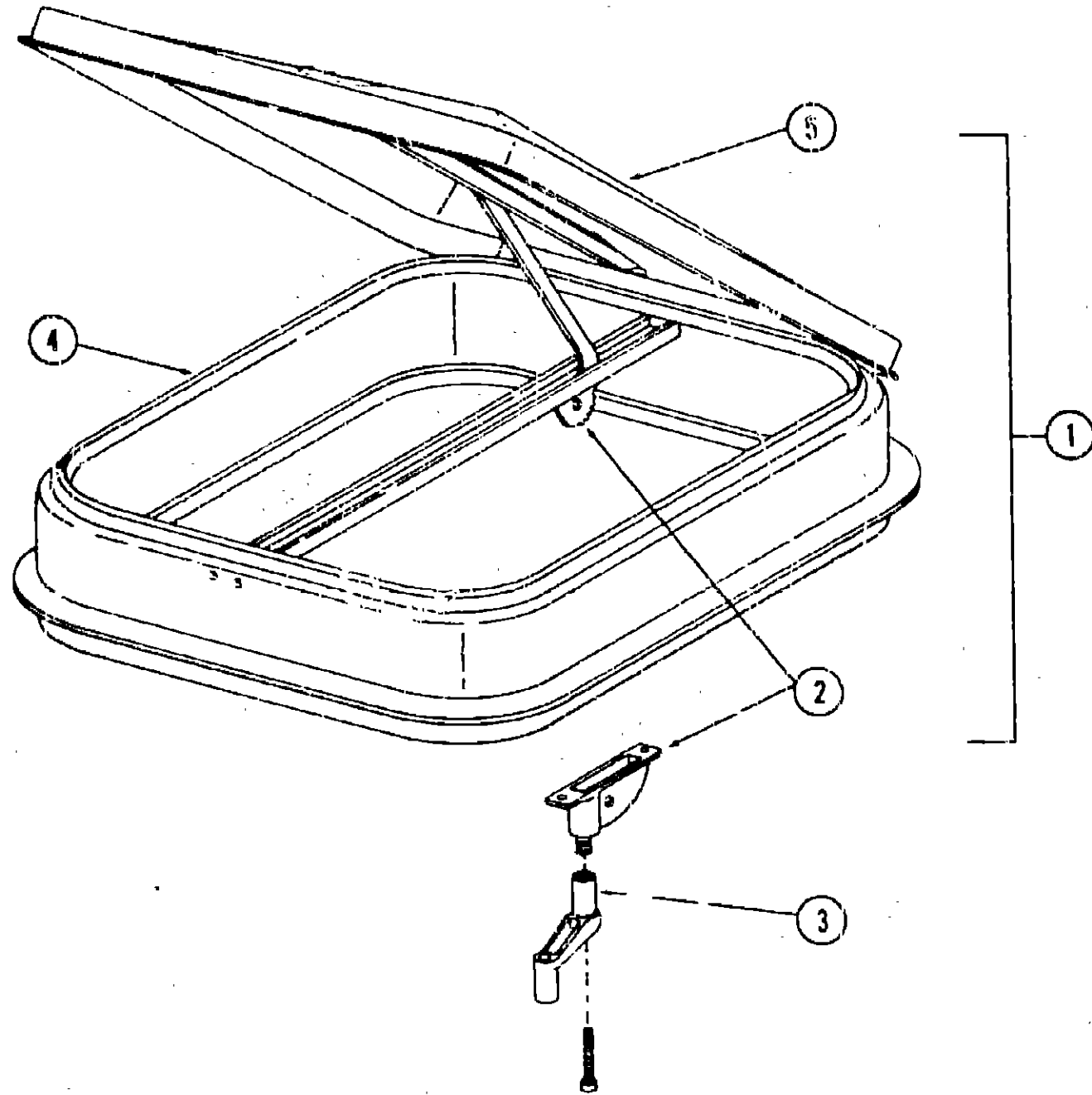
D25CUL	A-1 - B-10
D-19	B-11 - C-18
D-21	C-19 - E-4
D23	E-5 - F-16
D23L	F-17 - H-2
D25	H-3 - I-12

**1975 D25CUL INDEX**

Floor Plan	A-1 - A-2
Accessories Group	A-3 - A-4
Bath Group	A-5
Chassis Group	A-6 - A-6
Curtain, Cushion & Pad Group	A-7 - A-9
Dinette Group	A-10
Driver's Compartment Group	A-10 - A-11
Electrical Group	A-12 - A-13
Exterior Body Group	A-14 - A-17
Galley Group	A-18
Heating & Air Conditioning Group	A-19
Interior Finish Group	A-20 - A-21
LP Group	A-22
Lounge Group	A-22
Water & Sewage Group	A-23
Window, Vent & Exterior Door Group	A-24
	B-1 - B-10

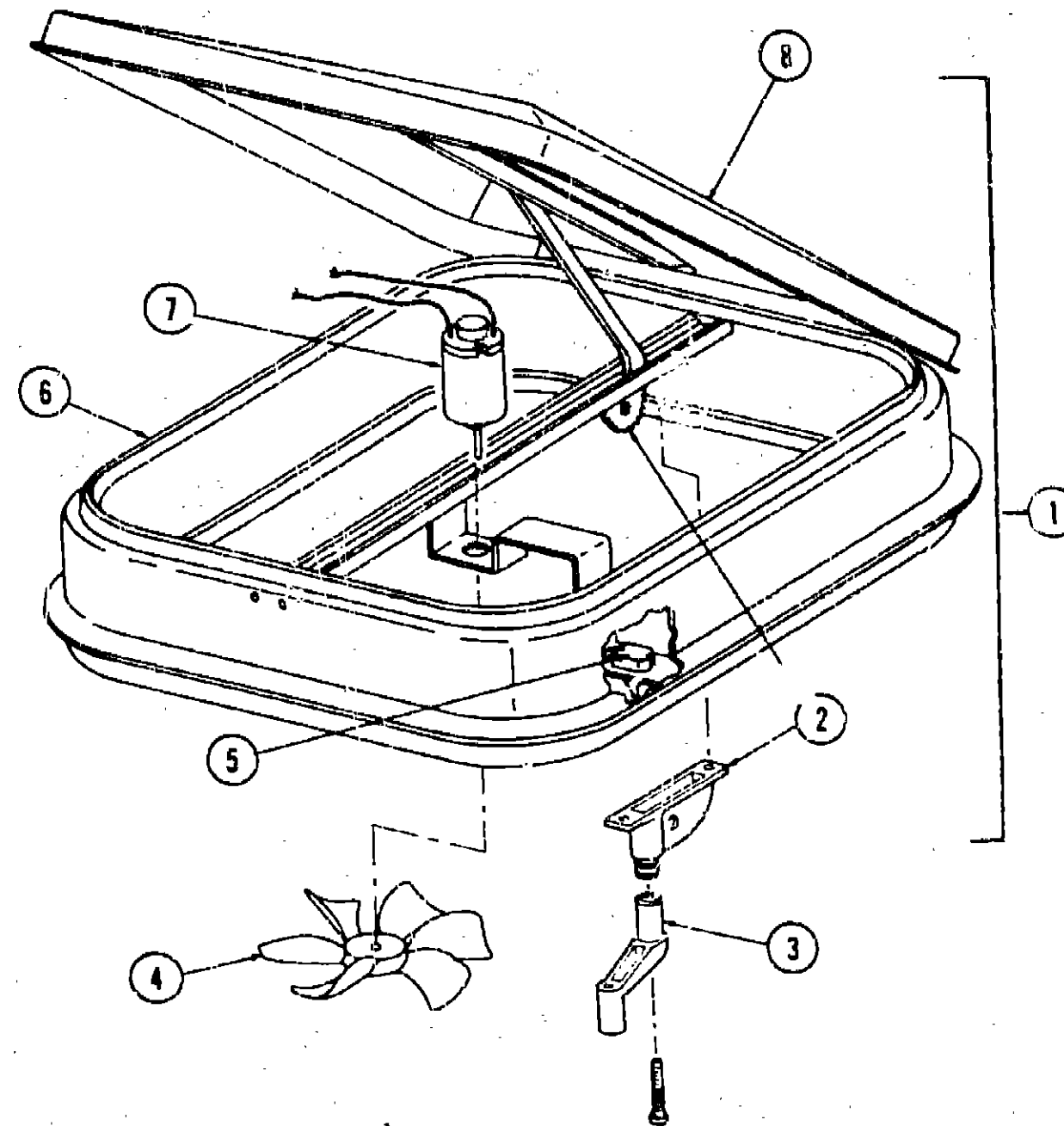
**WINDOW, VENT AND EXTERIOR DOOR GROUP (CONTINUED)**

**WINDOW, VENT AND EXTERIOR DOOR GROUP (CONTINUED)**



Key	Part Number	U/M	Description
1	048835-01-000	EA	Vent Asm. - Roof - Nonpowered - w/o Screen
2	009440-01-000	EA	Gear - Arm - Roof Vent
3	009439-01-000	EA	Crank - Roof Vent
4	002825-01-000	FT	Weatherstrip - Roof Vent
5	046825-01-000	EA	Cover - Plastic - Roof Vent
	016335-01-000	EA	Screen Asm. - Nonpowered Roof Vent - Clear Anod. (not included in assembly)
	016335-03-000	EA	Screen Asm. - Nonpowered Roof Vent - Beige (not included in assembly)

• Not Illustrated



Key	Part Number	U/M	Description
1	048789-01-000	EA	Vent Asm. - Roof - Powered - w/o Screen
2	009440-01-000	EA	Gear - Arm - Roof Vent
3	009439-01-000	EA	Crank - Roof Vent
4	048649-01-000	EA	Fan - Blade - 6" - Plastic
	009442-01-000	EA	Fan - Blade - Alum.
5	008195-01-000	EA	Switch - Push Button - 12 Volt
6	002825-01-000	FT	Weatherstrip - Roof Vent
7	048648-01-000	EA	Motor - 12 Volt (Vent w/Plastic Fan)
	009441-01-000	EA	Motor - 12 Volt (Vent w/Alum. Fan)
8	046825-01-000	EA	Cover - Plastic - Roof Vent (Vent w/Plastic Fan)
	016336-01-000	EA	Cover - Plastic - Roof Vent (Vent w/Alum. Fan)
	048695-01-000	EA	Screen Asm. - Powered Roof Vent - Clear Anod. (Vent w/Plastic Fan) (not included in assembly)
	016337-01-000	EA	Screen Asm. - Powered Roof Vent - Clear Anod. - (Vent w/Alum. Fan) (not included in assembly)

• Not Illustrated

**1975 WINNEBAGO  
TABLE OF CONTENTS**

D25CUL  
D-19  
D-21  
D23  
D23L  
D25

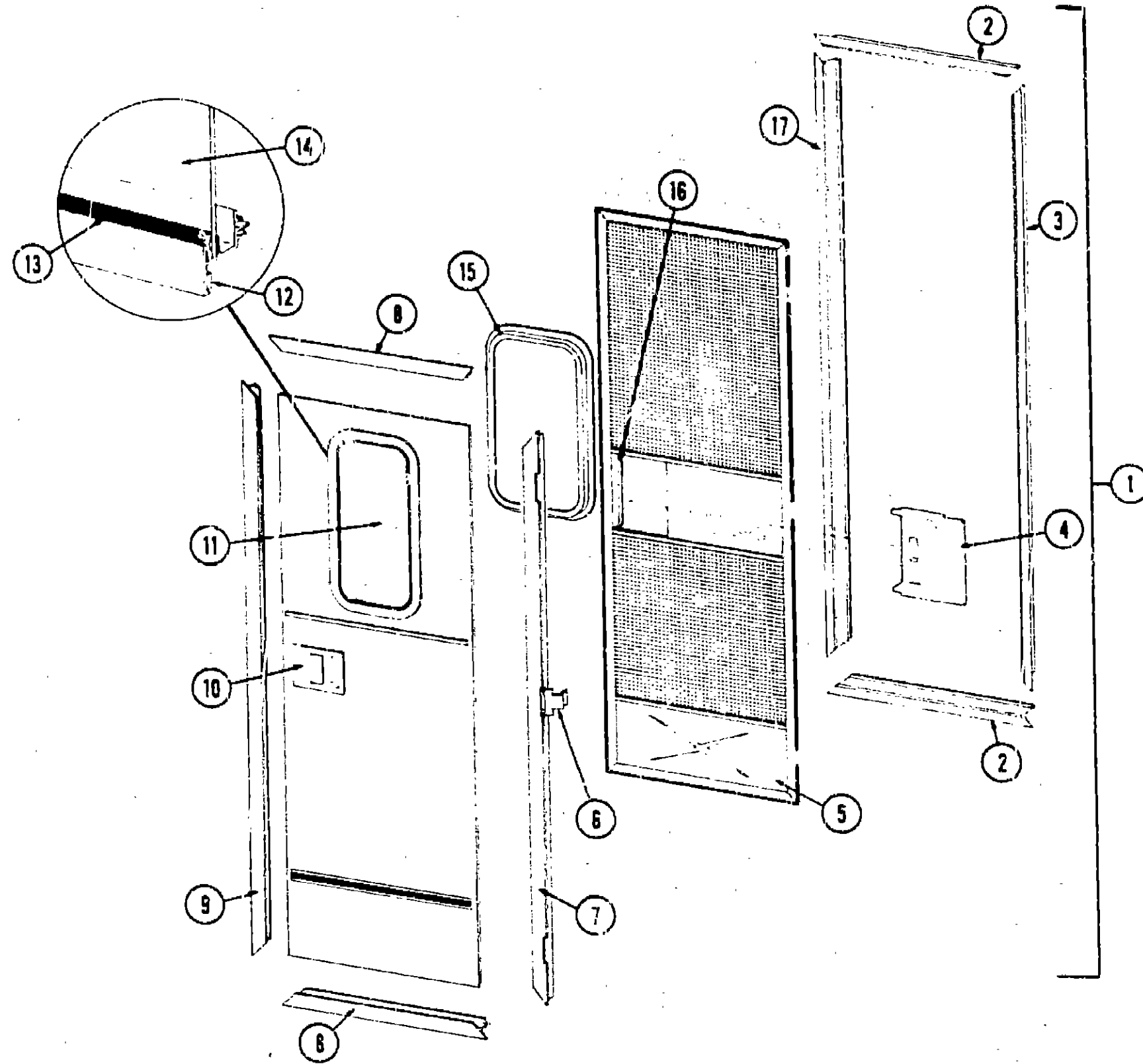
A-1 - B-10  
B-11 - C-18  
C-19 - E-4  
E-5 - F-16  
F-17 - H-2  
H-3 - I-12

**1975 D25CUL INDEX**

Floor Plan	A-1 - A-2
Accessories Group	A-3 - A-4
Bath Group	A-5
Chassis Group	A-5 - A-6
Curtain, Cushion & Pad Group	A-7 - A-9
Dinette Group	A-10
Driver's Compartment Group	A-10 - A-11
Electrical Group	A-12 - A-13
Exterior Body Group	A-14 - A-17
Galley Group	A-18
Heating & Air Conditioning Group	A-19
Interior Finish Group	A-20 - A-21
LP Group	A-22
Lounge Group	A-22
Water & Sewage Group	A-23
Window, Vent & Exterior Door Group	A-24
	B-1 - B-10



WINDOW, VENT AND EXTERIOR DOOR GROUP (CONTINUED)



1975 WINNEBAGO  
TABLE OF CONTENTS

D25CUL  
D-19  
D-21  
D23  
D23L  
D25

A-1 - B-10  
B-11 - C-18  
C-19 - E-4  
E-5 - F-18  
F-17 - H-7  
H-3 - J-15

1975 D25CUL INDEX

Floor Plan	A-1 - A-2
Accessories Group	A-3 - A-4
Bath Group	A-5
Chassis Group	A-5 - A-6
Curtain, Cushion & Pad Group	A-7 - A-9
Dinette Group	A-10
Driver's Compartment Group	A-10 - A-11
Electrical Group	A-12 - A-13
Exterior Body Group	A-14 - A-17
Galley Group	A-18
Heating & Air Conditioning Group	A-19
Interior Finish Group	A-20 - A-21
LP Group	A-22
Lounge Group	A-22
Water & Sewage Group	A-23
Window, Vent & Exterior Door Group	A-24
	B-1 - B-10

Key	Part Number	U/M	Description
1	031178-06-000	EA	Door Asm. - Entry - Custom
2	023013-02-000	EA	Jamb - Entry door - Upper and Lower
3	023012-02-000	EA	Jamb - Entry Door - Right
4	015580-01-000	EA	Slider - Screen Door - Plastic
5	016874-01-000	EA	Door Asm. - Screen
6	024650-01-000	EA	Hinge - Entry Door - Screen Door
7	038689-01-000	EA	Frame - Entry Door - Right
8	017378-02-000	EA	Frame - Entry Door - Upper and Lower
9	031185-02-000	EA	Frame - Entry Door - Left
10	024094-01-000	EA	Latch - Entry Door - Hartwell

Key	Part Number	U/M	Description
11	041875-04-000	EA	Window - Asm. - Picture - 13" x 25"
12	004363-01-000	FT	Tape - Foam - 3/16" x 1/2" - Gray
13	002309-02-000	FT	Spline - Glass - 1/8" - Black
14	002181-02-000	EA	Glass - 3/16" x 12" x 24" - Gray
15	041696-04-000	EA	Frame Window - Inside - 13" x 25"
	017753-03-000	EA	Frame Window - Inside - 13" x 25"
			Not Included w/Window Asm. - Z Style
			Not Included w/Window Asm. - T Style
16	015581-01-000	EA	Cap - Screen Door - Plastic
17	023011-02-000	EA	Jamb - Entry Door - Left