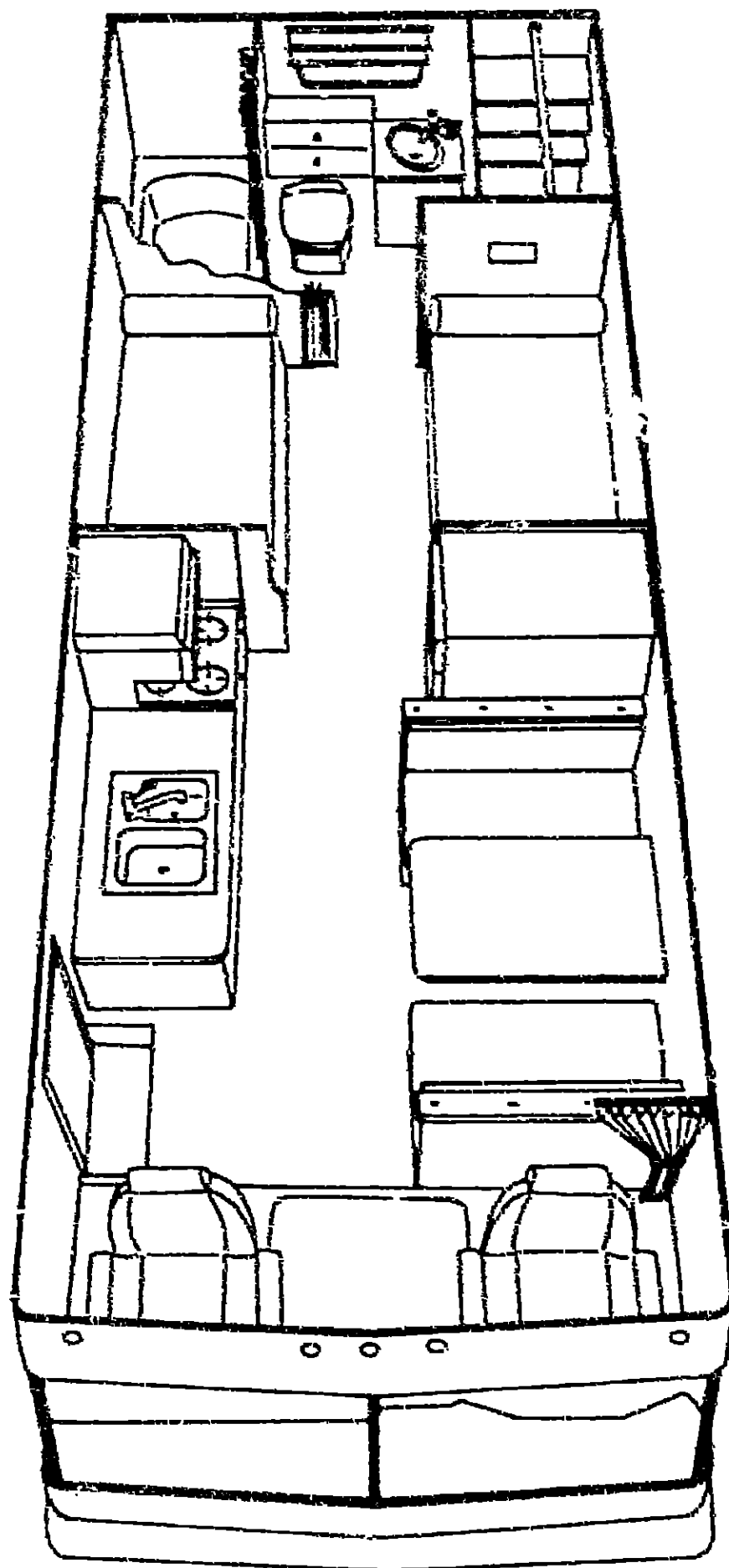


1975 D25CU



1975 WINNEBAGO TABLE OF CONTENTS

| | |
|--------------------|-------------|
| Introduction | A-1 |
| Abbreviations | A-1 |
| Alphabetical Index | A-2 - A-4 |
| D25C | A-5 - B-14 |
| D25CL | B-15 - C-24 |
| D27C | D-1 - E-10 |
| D27CL | E-11 - F-20 |
| D25CURS | F-21 - H-6 |
| D27CU | H-7 - I-16 |
| D27CUL | I-18 - K-6 |
| D25CU | K-7 - L-16 |

1975 D25CU INDEX

| | |
|------------------------------------|-------------|
| Floor Plan | K-7 - K-8 |
| Accessories Group | K-9 - K-10 |
| Bath Group | K-11 |
| Chassis Group | K-11 - K-12 |
| Curtain, Cushion & Pad Group | K-13 - K-15 |
| Dinette Group | K-15 |
| Driver's Compartment Group | K-16 - K-17 |
| Electrical Group | K-18 - K-19 |
| Exterior Body Group | K-20 - K-23 |
| Galley Group | K-24 |
| Heating & Air Conditioning Group | L-1 |
| Interior Finish Group | L-2 - L-3 |
| LP Group | L-4 |
| Lounge Group | L-4 |
| Water & Sewage Group | L-5 |
| Window, Vent & Exterior Door Group | L-5 - L-16 |

ACCESSORIES GROUP

RADIOS AND RELATED COMPONENTS

| Key | Part Number | U/M | Description |
|-----|---------------|-----|--|
| | 031105-01-000 | EA | Antenna - Radio - Side Mount |
| | 031105-01-700 | EA | Clip - Retaining - Side Mount Antenna |
| | 033379-01-000 | EA | Kit - Radio Speaker - 5 1/4" w/ Cover |
| | 049730-01-000 | EA | Radio - AM w/ Fader - Clarion |
| | 049731-01-000 | EA | Radio - AM/FM/MPX - w/ Fader - Clarion |
| | 049732-01-000 | EA | Radio - AM/FM/MPX - 3 Track - w/ Fader - Clarion |
| | 046145-01-000 | EA | Radio - CB Messenger 123 A - Johnson |
| | 048153-01-000 | EA | Antenna - CB - Camper Style |

SPEED CONTROL AND COMPONENTS

| Key | Part Number | U/M | Description |
|-----|---------------|-----|---|
| | 024745-01-000 | EA | Speed Control Package - 440 CID Dodge - Lever Type - A-Body |
| | 007255-01-000 | EA | Regulator Asm. |
| | 024748-01-701 | EA | Servo Asm. |
| | 024748-01-702 | EA | Switch - Engage Lever |
| | 007255-01-703 | EA | Cable Asm. - Transmission - 42" |
| | 007255-01-704 | EA | Switch Asm. - Decelerate |
| | 024748-01-700 | EA | Relay - Speed Control |

GENERATORS AND INSTALLATION KITS

| Key | Part Number | U/M | Description |
|-----|---------------|-----|--|
| | 007061-01-000 | EA | Generator - Onan - 4000 Watt GCK - w/ Mounting Bolts and Rubber Feet |
| | 007058-01-000 | EA | Generator - Onan - 5000 Watt GCK - w/ Mounting Bolts and Rubber Feet |
| | 039237-01-000 | EA | Kit - 4000, 5000 Onan Installation - w/ Bolt Package and Rubber Feet |
| | 007290-01-000 | EA | Tailpipe - Generator Exhaust - 1.62" x 17" |
| | 024732-01-004 | EA | Steel Tubing - 1.5" O.D. - 18 Gauge x 34" |
| | 007292-01-000 | EA | Muffler - Generator |
| | 007131-01-000 | EA | Hanger - Tailpipe |
| | 007125-01-000 | EA | Clamp Asm. - Muffler - 1.62" Dia. |
| | 007125-03-000 | EA | Clamp Asm. - Muffler - 1.50" Dia. |
| | 042565-01-000 | EA | Scoop - Generator Air |
| | 007067-01-000 | SF | Insulation - Fiberglass - 1" |
| | 007059-02-000 | EA | Box Package |
| | 007059-03-000 | EA | Foot - Rubber - Generator Mounting |
| | 031035-01-000 | EA | Gauge - Hourmeter |
| | 024975-01-000 | EA | Switch - Generator - w/ Circuit Board |
| | 045226-01-000 | EA | Tray - Sliding - Generator |
| | 007125-07-000 | EA | Clamp Asm. - Muffler - 2.50" Dia. |

ACCESSORIES GROUP (CONTINUED)

FRONT BUNK, CABINET AND HARDWARE

| Key | Part Number | U/M | Description |
|-----|---------------|-----|---|
| | 031471-03-700 | EA | Cabinet Asm. - Glide-Away - Overhead |
| | 031471-03-701 | EA | Door - Sliding - Glide-Away - Overhead |
| | 009146-01-000 | EA | Fingerpull |
| | 009785-01-000 | FT | Track - Sliding Door - Upper - Plastic |
| | 009785-01-000 | FT | Track - Sliding Door - Lower - Plastic |
| | 017641-01-000 | EA | Stabilizer Asm. - Bunk |
| | 040071-01-000 | EA | Support - Bunk - Overhead Seatbelt |
| | 022540-01-000 | EA | Support Asm. - Bunk Strap 20" |
| | 005076-01-000 | EA | Ladder - Bunk - 66" Aluminum |
| | 042663-01-000 | EA | Support Asm. - Left and Right - Overhead Bunk |
| | 039920-01-000 | EA | Bunk Board Asm. |

MISCELLANEOUS ACCESSORIES

| Key | Part Number | U/M | Description |
|-----|---------------|-----|--|
| | 044148-01-000 | EA | TV - Color - 13" Sharp |
| | 006093-01-000 | EA | Jack - TV - Brown |
| | 006053-01-000 | EA | Antenna - TV - Braun Delux |
| | 031450-01-000 | EA | Vacuum - Wall Mount w/ Attachments |
| | 700102-02-000 | EA | Vacuum Bags (used With 031450-01-000) |
| | 035420-01-000 | EA | Fan - Defroster |
| | 041944-01-700 | EA | Fire Extinguisher - w/ Bracket |
| | 036651-01-000 | EA | Rack - Magazine |
| | 007035-01-000 | EA | Ladder Asm. - w/ Luggage Rack - Square |
| | 007035-02-000 | EA | Pads, Caps, Blocks for Square Rack |
| | 007035-03-000 | EA | Ladder Asm. - Square |
| | 036685-01-000 | EA | Ladder Asm. - w/ Luggage Rack - Round |
| | 036685-02-000 | EA | Ladder Asm. - Round |
| | 023765-01-000 | EA | Mud Flap |
| | 022534-01-000 | EA | Guard Asm. - Bumper - Front Right |
| | 022535-01-000 | EA | Guard Asm. - Bumper - Front Left |
| | 007268-01-000 | EA | Guard - Bumper - Chrome (Rear) |
| | 006113-01-000 | EA | Jack - Hydraulic - 5 Ton |
| | 006091-01-000 | EA | Tray - Cutlery - Gold |
| | 006050-01-000 | EA | Purification System - Everpure |
| | 006060-02-000 | EA | Cartridge - Replacement - Everpure |
| | 042563-01-000 | EA | Oven - Microwave - Winnebago (by Panasonic) |
| | 049347-01-000 | EA | Mirror Head - 7 1/2" x 10 1/2" - Stainless Steel |
| | 049346-01-000 | EA | Arm - Low Mount Mirror - Bright Finish |
| | 049344-01-000 | EA | Bracket - Mirror - Outside - Beige |

1975 WINNEBAGO TABLE OF CONTENTS

| | |
|--------------------|-------------|
| Introduction | A-1 |
| Abbreviations | A-1 |
| Alphabetical Index | A-2 - A-4 |
| D25C | A-5 - D-14 |
| D25CL | B-15 - C-24 |
| D27C | D-1 - E-10 |
| D27CL | E-11 - F-20 |
| D29CURB | F-21 - H-6 |
| D27CU | H-7 - I-18 |
| D27CUL | I-19 - K-6 |
| D23CU | K-7 - L-16 |

1975 D25CU INDEX

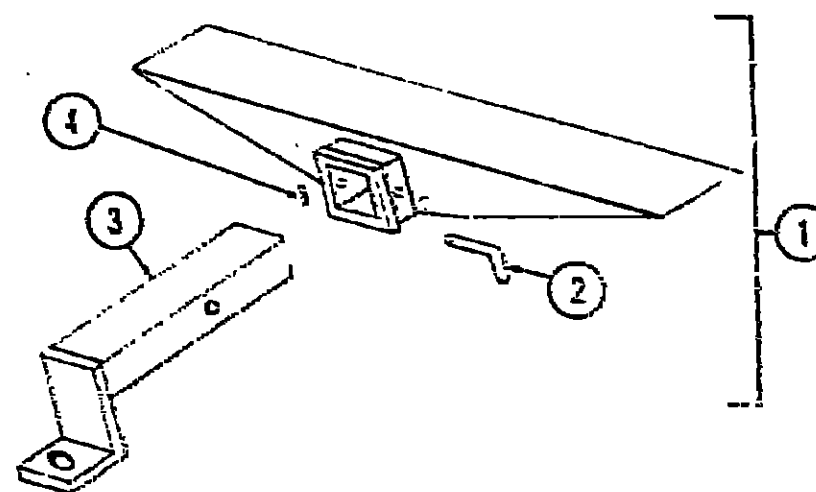
| | |
|------------------------------------|-------------|
| Floor Plan | K-7 - K-8 |
| Accessories Group | K-9 - K-10 |
| Bath Group | K-11 |
| Chassis Group | K-11 - K-12 |
| Curain, Cushion & Pad Group | K-13 - K-15 |
| Dinetta Group | K-16 |
| Driver's Compartment Group | K-16 - K-17 |
| Electrical Group | K-18 - K-19 |
| Exterior Body Group | K-20 - K-23 |
| Galley Group | K-24 |
| Heating & Air Conditioning Group | L-1 |
| Interior Finish Group | L-2 - L-3 |
| LP Group | L-4 |
| Lounge Group | L-4 |
| Water & Sewage Group | L-5 |
| Window, Vent & Exterior Door Group | L-6 - L-16 |

BATH GROUP

| Key | Part Number | U/M | Description |
|-----|---------------|-----|--|
| | 037813-01-700 | EA | Cabinet Asm. - Lavatory w/o Countertop, Drawers, Doors or Hardware |
| | 037813-01-701 | EA | Countertop Asm. - Lavatory Cabinet w/Out-out |
| | 037813-01-702 | EA | Door Asm. - Vanity Cabinet - 13" x 25" w/o Hardware |
| | 011025-01-000 | EA | Sink - Stainless Steel - Oval w/Bolts |
| | 011055-01-000 | EA | Faucet - Lavatory |
| | 031553-01-000 | EA | Faucet - Tub and Shower |
| | 011048-01-000 | EA | Shower Head w/60" Hose |
| | 033795-01-000 | EA | Bath Tub Asm. - White Plastic w/o Faucet or Drain |
| | 033550-01-000 | EA | Ring - Towel - Chrome Bracket w/Plastic Ring |
| | 009134-01-000 | EA | Holder - Toilet Tissue |
| | 009133-02-000 | EA | Rod - Towel Bar - 15" Plastic w/o Brackets |
| | 023449-01-000 | EA | Bracket - Towel Bar - Left or Right Chrome |
| | 031569-01-000 | EA | Door - Bath - Folding w/Track - 27 1/2" x 77 3/8" Opening |
| | 011045-01-000 | EA | Showerhead - w/60" Hose |
| | 033472-01-000 | EA | Track - Shower Curtain |
| ** | 033327-01-000 | EA | Toilet - Electra Magic w/o Seat and Lid |
| ** | 033341-01-000 | EA | Toilet - Aqua Magic Model SM - White - w/o Seat and Lid |

** The illustrated parts breakdown for this item is provided on the Common Items Fiche.

CHASSIS GROUP (CONTINUED)



| Key | Part Number | U/M | Description |
|-----|---------------|-----|------------------------------|
| 1 | 023525-01-700 | EA | Hitch Asm. - Trailer |
| 2 | 034512-01-000 | EA | Locking Pin - Drawbar |
| 3 | 024578-01-000 | EA | Drawbar Asm. - Trailer Hitch |
| 4 | 034513-01-000 | EA | Hitch Pin - 3/16" Wire |

CHASSIS GROUP

| Key | Part Number | U/M | Description |
|-----|---------------|-----|--|
| | 007253-01-000 | EA | Bumper - Center Section - Front - Chrome |
| | 007255-01-000 | EA | Bumper - Outer Section - Front - Chrome |
| | 023495-01-000 | EA | Bracket - Bumper - Front |
| | 023520-04-000 | EA | Bar - Bumper - Black - Right or Left |
| | 022534-01-000 | EA | Guard Asm. - Front Bumper - Right |
| | 022535-01-000 | EA | Guard Asm. - Front Bumper - Left |
| | 021595-01-000 | EA | Bumper - Center Section - Rear - Chrome |
| | 007255-01-000 | EA | Bumper - Outer Section - Rear - Chrome |
| | 022531-01-000 | EA | Bumper - Slotted Rear - Reinforcement |
| | 007268-01-000 | EA | Guard - Bumper - Chrome - Rear |
| | 035459-01-000 | EA | Tank - Aux. Fuel - 22.9 Gal. |
| | 035450-01-000 | EA | Sending Unit - Fuel 73 Ohm |
| | 024511-02-000 | EA | Cap - Gas - Pressure - 1.5" Chrome |
| | 024521-02-000 | EA | Fill - Gas - w/Vent 4.5" Long |
| | 024138-01-000 | FT | Hose - Fuel - 5/16" I.D. |
| | 007111-01-000 | FT | Hose - Fuel - 2 1/4" I.D. |
| | 007249-01-000 | EA | Tailpipe - Curved 2 1/2" x 58" |
| | 046953-01-000 | EA | Hanger - Tailpipe |
| | 007259-01-000 | EA | Bracket - License |
| | 033326-02-029 | EA | Tie Down - Battery - Steel |
| | 020375-01-000 | EA | Bracket - Tie Down - Short Battery Box |
| | 021275-01-000 | EA | Tray - Battery - Steel |
| | 037469-01-000 | EA | Hoodboard - Steel - Right |
| | 027455-02-000 | EA | Hoodboard - Steel - Left |

1975 WINNEBAGO TABLE OF CONTENTS

| | |
|--------------------|-------------|
| Introduction | A-1 |
| Abbreviations | A-1 |
| Alphabetical Index | A-2 - A-4 |
| D25C | A-5 - B-13 |
| D25C _L | B-15 - C-24 |
| D27C | D-1 - E-10 |
| D27C _L | E-11 - F-20 |
| D29CURB | F-21 - H-6 |
| D27CU | H-7 - I-18 |
| D27CUL | I-19 - K-6 |
| D25CU | K-7 - L-16 |

1975 D25CU INDEX

| | |
|------------------------------------|-------------|
| Floor Plan | K-7 - K-8 |
| Accessories Group | K-9 - K-10 |
| Bath Group | K-11 |
| Chassis Group | K-11 - K-12 |
| Curtain, Cushion & Pad Group | K-13 - K-15 |
| Dinette Group | K-15 |
| Diner's Compartment Group | K-16 - K-17 |
| Electrical Group | K-18 - K-19 |
| Exterior Body Group | K-20 - K-23 |
| Galley Group | K-24 |
| Heating & Air Conditioning Group | L-1 |
| Interior Finish Group | L-2 - L-3 |
| LP Group | L-4 |
| Lounge Group | L-4 |
| Water & Sewage Group | L-5 |
| Window, Vent & Exterior Door Group | L-6 - L-16 |

CURTAIN, CUSHION AND PAD GROUP

CURTAINS

| Key | Part Number | U/M | Description |
|-----|---------------|-----|--|
| | 041143-75-000 | EA | Curtain - Overdrapes - 27" x 45" - Right - Olive |
| | 041143-76-000 | EA | Curtain - Overdrapes - 27" x 45" - Right - Gold |
| | 041144-75-000 | EA | Curtain - Overdrapes - 27" x 45" - Left - Olive |
| | 041144-76-000 | EA | Curtain - Overdrapes - 27" x 45" - Left - Gold |
| | 040408-34-000 | EA | Curtain - Underdrapes - 27" x 52" - Ivory |
| | 041245-03-000 | EA | Curtain - Wraparound - 50" x 104" - Right - Brown |
| | 041244-03-000 | EA | Curtain - Wraparound - 50" x 104" - Left - Brown |
| | 033311-09-000 | EA | Curtain - Blackout - 32" x 95" - Antique Brown Vinyl |
| | 033311-08-000 | EA | Curtain - Blackout - 36" x 95" - Antique Brown Vinyl |
| | 033315-34-000 | EA | Curtain - Aisle Divider - (2 pieces 36" x 72") - Brown |

VALANCES AND TIE BACKS

| Key | Part Number | U/M | Description |
|-----|---------------|-----|--|
| | 033323-13-000 | EA | Valance - 6" x 76" - Olive |
| | 033323-14-000 | EA | Valance - 6" x 76" - Gold |
| | 031543-25-000 | EA | Tie Back - Curtain - 18" - Olive |
| | 031543-27-000 | EA | Tie Back - Curtain - 18" - Gold |
| | 031543-28-000 | EA | Tie Back - Curtain - 18" - Brown |
| | 031543-04-000 | EA | Tie Back - Curtain - 15" - Brown Vinyl |

CURTAIN HARDWARE

| Key | Part Number | U/M | Description |
|-----|---------------|-----|--|
| | 044359-02-000 | EA | Track - Curtain - Wraparound - "L" Rod Alum. - Right |
| | 044090-01-000 | EA | Track - Curtain - Wraparound - "L" Rod Alum. - Left |
| | 015031-42-000 | EA | Track - Curtain - "L" Rod Alum. - R9" |
| | 009701-01-000 | EA | Carrier - Curtain - "L" Rod w/Rollers |
| | 009702-01-000 | EA | End Stop - Curtain Track - "L" Rod |
| | 052327-04-235 | EA | Track - Curtain - Alum. - 69" - Brown (Replaces 009108-01-000 Marine Track) |
| | 009107-01-000 | EA | Carrier - Snap - Curtain |
| | 009221-01-000 | EA | Rod - Curtain - Flat - Extends 15" - 28" |
| | 009223-01-000 | EA | Rod - Curtain - Flat - Extends 32" - 51" |
| | 009223-02-000 | EA | Rod - Curtain - Flat - Extends 45" - 64" |
| | 009217-01-000 | EA | Bracket - Curtain Rod - Left and Right |



| Key | Part Number | U/M | Description |
|-----|---------------|-----|--|
| 1 | 029130-01-000 | EA | Socket - Snap Fastener - 7" x 5/8" (Tie Backs) |
| 2 | 029155-01-000 | EA | Cap Snap - 155" Dia x 17" Sq (Tie Back) |
| 3 | 029155-01-000 | EA | Socket - Snap Fastener (Tie Backs) |
| 4 | 029092-01-000 | EA | Stud - Nickel Finish (Curtains) |
| 5 | 029093-01-000 | EA | Eyelet - Nickel Finish (Curtains) |

CURTAIN, CUSHION AND PAD GROUP (CONTINUED)

DINETTE CUSHIONS

| Key | Part Number | U/M | Description |
|-----|---------------|-----|--|
| | 033331-23-000 | EA | Cushion - Dinette Back - Wraparound Style w/Waisted Ends 14 1/4" x 38" x 5" - Olive |
| | 033331-24-000 | EA | Cushion - Dinette Back - Wraparound Style w/Waisted Ends 14 1/4" x 38" x 5" - Gold |
| | 033331-23-023 | EA | Cover - Cushion - Dinette Back - Wraparound Style w/Waisted Ends 14 1/4" x 38" x 5" - Olive |
| | 033331-24-023 | EA | Cover - Cushion - Dinette Back - Wraparound Style w/Waisted Ends 14 1/4" x 38" x 5" - Gold |
| | 033331-25-000 | EA | Cushion - Dinette Bottom - Wraparound Style w/Waisted Ends 21 3/4" x 33" x 5" - Olive |
| | 033331-25-000 | EA | Cushion - Dinette Bottom - Wraparound Style w/Waisted Ends 21 3/4" x 33" x 5" - Gold |
| | 033331-25-025 | EA | Cover - Cushion - Dinette Bottom - Wraparound Style w/Waisted Ends 21 3/4" x 33" x 5" - Olive |
| | 033331-25-025 | EA | Cover - Cushion - Dinette Bottom - Wraparound Style w/Waisted Ends 21 3/4" x 33" x 5" - Gold |
| | 033331-26-026 | EA | Cover - Cushion - Dinette Bottom - Wraparound Style w/Waisted Ends 21 3/4" x 38" x 5" - Gold |

LOUNGE CUSHIONS

| Key | Part Number | U/M | Description |
|-----|---------------|-----|--|
| | 033476-07-000 | EA | Cushion - Bolster - Round - 9 1/2" x 30" - Olive |
| | 033476-08-000 | EA | Cushion - Bolster - Round - 9 1/2" x 30" - Gold |
| | 033476-07-007 | EA | Cover - Cushion - Bolster - Round - 9 1/2" x 30" - Olive |
| | 033476-08-008 | EA | Cover - Cushion - Bolster - Round - 9 1/2" x 30" - Gold |
| | 033593-07-000 | EA | Bedspread (For Sealy Mattress) Olive |
| | 033593-08-000 | EA | Bedspread (For Sealy Mattress) Gold |

MATTRESSES

| Key | Part Number | U/M | Description |
|-----|---------------|-----|--|
| | 031503-26-000 | EA | Mattress - Flexsteel Bunk - 42" x 79" x 4" - Olive |
| | 031503-27-000 | EA | Mattress - Flexsteel Bunk - 42" x 79" x 4" - Gold |
| | 031511-10-000 | EA | Mattress - Side Bunk - 23" x 75" x 2" - 2 Fold w/Notched Rear Corner |

BUCKET SEATS

| Key | Part Number | U/M | Description |
|-----|---------------|-----|--|
| | 033997-08-000 | EA | Seat Asm. - Single Bucket w/o Slides, Armrests or Headrests - w/Skirt - Olive |
| | 033997-09-000 | EA | Seat Asm. - Single Bucket w/o Slides, Armrest or Headrests - w/Skirt - Gold |
| | 033975-07-000 | EA | Cover - Single Bucket Seat Back - Olive |
| | 033975-08-000 | EA | Cover - Single Bucket Seat Back - Gold |
| | 033977-07-000 | EA | Cover - Single Bucket Seat Bottom - Olive |
| | 033977-08-000 | EA | Cover - Single Bucket Seat Bottom - Gold |
| | 033902-02-000 | EA | Seat Asm. - Double Bucket w/o Armrests or Headrests - w/Skirt - Olive |
| | 033902-03-000 | EA | Seat Asm. - Double Bucket w/o Armrests or Headrests - w/Skirt - Gold |
| | 033963-07-000 | EA | Cover - Double Bucket Seat Back - Olive |
| | 033963-08-000 | EA | Cover - Double Bucket Seat Back - Gold |
| | 033964-07-000 | EA | Cover - Double Bucket Seat Bottom - Olive |
| | 033964-08-000 | EA | Cover - Double Bucket Seat Bottom - Gold |
| | 033545-04-000 | EA | Skirt - Single Bucket Seat - Olive |
| | 033545-05-000 | EA | Skirt - Single Bucket Seat - Gold |
| | 031123-01-000 | EA | Seat Protector - Back Corner - Brown Plastic |
| | 029135-01-000 | EA | Grommet - Headrest - Brown Nylon |
| | 029038-01-000 | EA | Clip - Fastener - Armrest - 3/8" |
| | 029039-01-000 | EA | Clip - Fastener - Armrest - 1/2" |

**1975 WINNEBAGO
TABLE OF CONTENTS**

| | |
|--------------------|-------------|
| Introduction | A-1 |
| Abbreviations | A-1 |
| Alphabetical Index | A-2 - A-4 |
| D25C | A-5 - E-14 |
| D25CL | B-15 - C-24 |
| D27C | D-1 - E-10 |
| D27CL | E-11 - F-20 |
| D26CURB | F-21 - H-6 |
| D27CU | H-7 - I-15 |
| D27CUL | I-16 - K-5 |
| D25CU | K-7 - L-18 |

1975 D25CU INDEX

| | |
|------------------------------------|-------------|
| Floor Plan | K-7 - K-8 |
| Accessories Group | K-9 - K-10 |
| Bath Group | K-11 |
| Chassis Group | K-11 - K-12 |
| Curtain, Cushion & Pad Group | K-13 - K-15 |
| Dinette Group | K-16 |
| Driver's Compartment Group | K-16 - K-17 |
| Electrical Group | K-18 - K-19 |
| Exterior Body Group | K-20 - K-23 |
| Galley Group | K-24 |
| Heating & Air Conditioning Group | L-1 |
| Interior Finish Group | L-2 - L-3 |
| LP Group | L-4 |
| Lounge Group | L-4 |
| Water & Sewage Group | L-5 |
| Window, Vent & Exterior Door Group | L-6 - L-16 |

CURTAIN, CUSHION AND PAD GROUP (CONTINUED)

ARMREST AND HEADRESTS

| Key | Part Number | U/M | Description |
|-----|---------------|-----|--------------------------------|
| | 033903-05-000 | EA | Armrest Asm. - Right - Olive |
| | 033903-06-000 | EA | Description Asm - Right - Gold |
| | 033904-05-000 | EA | Armrest Asm. - Left - Olive |
| | 033904-06-000 | EA | Armrest Asm. - Left - Gold |
| | 033905-05-000 | EA | Headrest Asm. - Olive |
| | 033905-06-000 | EA | Headrest Asm. - Gold |

PADS

| Key | Part Number | U/M | Description |
|-----|---------------|-----|---|
| | 033969-01-000 | EA | Pad - Wall Mount Armrest - Right - Olive |
| | 033969-02-000 | EA | Pad - Wall Mount Armrest - Right - Gold |
| | 033969-01-000 | EA | Pad - Wall Mount Armrest - Left - Olive |
| | 033969-02-000 | EA | Pad - Wall Mount Armrest - Left - Gold |
| | 033995-01-000 | EA | Pad - Radius Hat Channel - 10 7/8" x 4" - Antique Brown Vinyl |
| | 033995-02-000 | EA | Pad - Radius Hat Channel - 4 5/8" x 11" - Antique Brown Vinyl |
| | 033999-01-000 | EA | Pad - Overhead Bunk Board - Left - Antique Brown Vinyl |
| | 033999-01-000 | EA | Pad - Overhead Bunk Board - Right - Antique Brown Vinyl |
| | 033997-01-000 | EA | Pad - Quarter Panel - Right - Antique Brown Vinyl |
| | 033993-01-000 | EA | Pad - Quarter Panel - Left - Antique Brown Vinyl |
| | 040202-01-000 | EA | Pad - Dinette Wall Panel - Antique Brown Vinyl |
| | 023466-09-000 | EA | Pad - Dinette Back Frame - 74" - Antique Brown Vinyl |
| | 023466-06-000 | EA | Pad - Dinette Back Frame - 76 1/2" - Antique Brown Vinyl |
| | 023631-04-000 | EA | Button w/ Nut - Brown Vinyl |
| | 036777-03-000 | EA | Cover - Toilet Seat - Brown |
| | 036778-03-000 | EA | Skirt - Toilet - Brown |

FABRICS

| Key | Part Number | U/M | Description |
|-----|---------------|-----|-------------------------------------|
| | 036865-02-000 | YD | Fabric - Upholstery Floral - Olive |
| | 036865-01-000 | YD | Fabric - Upholstery - Floral - Gold |
| | 037677-01-000 | YD | Fabric - Drapery - Olive |
| | 037677-02-000 | YD | Fabric - Drapery - Gold |
| | 037677-03-000 | YD | Fabric - Drapery - Brown |
| | 039174-01-000 | YD | Fabric - Under Drapes - Iron |
| | 039176-01-000 | YD | Vinyl - Antique Brown |

DINETTE GROUP

| Key | Part Number | U/M | Description |
|-----|---------------|-----|---|
| | 024274-15-700 | EA | Table Asm. - Dinette - Butcher Block w/o Hardware |
| | 047842-01-000 | EA | Wall Mount Kit - Dinette Table - Brown |
| | 047809-01-000 | EA | Leg Kit - Dinette Table - Brown |
| | 037819-01-100 | EA | Cabinet Asm. - Dinette Seat - Front w/o Door or Hardware |
| | 037819-01-101 | EA | Door Asm. - Dinette Seat Cabinet - 14" x 17 3/4" w/o Hardware |
| | 037820-01-000 | EA | Cabinet Asm. - Dinette Seat - Rear |
| | 037886-01-700 | EA | Cabinet Asm. - Dinette Overhead w/o Doors or Hardware |
| | 037886-01-701 | EA | Door Asm. - Dinette Overhead Cabinet - 29 5/8" x 14 1/8" w/o Hardware |

**1975 WINNEBAGO
TABLE OF CONTENTS**

| | |
|--------------------|-------------|
| Introduction | A-1 |
| Abbreviations | A-1 |
| Alphabetical Index | A-2 - A-4 |
| D25C | A-5 - B-14 |
| D25CL | B-15 - C-24 |
| D27C | D-1 - E-10 |
| D27CL | E-11 - F-20 |
| D29CURS | F-21 - H-6 |
| D2TCU | H-7 - I-16 |
| D2TCUL | I-19 - K-6 |
| D25CU | K-7 - L-16 |

DRIVER'S COMPARTMENT GROUP

DASH PANEL AND COMPONENTS

| Key | Part Number | U/M | Description |
|-----|---------------|-----|--|
| | 031623-01-000 | EA | Dash Asm. - Complete w/ Gauges and Switches |
| | 022212-01-000 | EA | Door - Glove Compartment |
| | 033118-01-000 | EA | Lock - Twist w/ Nut |
| | 023232-01-000 | EA | Box - Glove Compartment - Black Fiberglass |
| | 009066-01-000 | EA | Hinge - Continuous - Aluminum 1 1/2" x 72" Pin |
| | 034309-01-000 | EA | Chain - Bead - Glove Box Door |
| | 023554-01-000 | EA | Panel - Knee Kick (Bottom of Dash) |
| | 024418-01-000 | EA | Lamp Asm. - Map Gauge |
| | 037305-01-000 | EA | Clock - Dash |
| | 037037-01-000 | EA | Lighter Asm. - Cigarette - 12 Volt |
| | 007041-01-000 | EA | Bezel - Cigarette Lighter |
| | 023599-01-000 | EA | Bezel - Entertainment Center - All Options |
| | 024973-01-000 | EA | Bezel - Entertainment Center - Lighter Only |
| | 024750-01-000 | EA | Bezel - Entertainment Center - Lighter, Clock, Radio and Fader |
| | 007071-01-000 | EA | Louwer - Chrome - w/ Chrome Wheel |
| | 024990-01-000 | EA | Outlet - Defroster w/ Switch - 2" Tan |
| | 024906-01-000 | EA | Diffuser Case - Air Conditioning - 2 1/2" Black |
| | 023020-01-000 | EA | Lamp Asm. - Tail Tail |
| | 033044-01-000 | EA | Louwer Asm. - A/C Adjustable |
| | 025616-02-000 | EA | Pad - Dash - Foam - Right - Oxen Tan |
| | 023242-02-000 | EA | Pad - Dash - Foam - Left - Oxen Tan |

1975 D25CU INDEX

| | |
|------------------------------------|-------------|
| Floor Plan | K-7 - K-8 |
| Accessories Group | K-9 - K-10 |
| Bath Group | K-11 |
| Chassis Group | K-11 - K-12 |
| Curtain, Cushion & Pad Group | K-13 - K-15 |
| Dinette Group | K-16 |
| Driver's Compartment Group | K-16 - K-17 |
| Electrical Group | K-18 - K-19 |
| Exterior Body Group | K-20 - K-23 |
| Galley Group | K-24 |
| Heating & Air Conditioning Group | L-1 |
| Interior Finish Group | L-2 - L-3 |
| LP Group | L-4 |
| Lounge Group | L-4 |
| Water & Sewage Group | L-5 |
| Window, Vent & Exterior Door Group | L-6 - L-16 |

BUCKET SEAT PEDESTAL AND SEAT BELTS

| Key | Part Number | U/M | Description |
|-----|---------------|-----|--|
| | 041459-01-000 | EA | Pedestal - Top - Single Seat |
| | 041450-01-000 | EA | Pedestal - Top - Double Seat |
| | 041654-01-000 | EA | Pedestal Base - Single and Double Seat w/ Tightener |
| | 033912-01-000 | EA | Rod - Seal Adjuster |
| | 037223-01-000 | EA | Adjuster Asm. - Seat w/ Lock |
| | 037227-01-000 | EA | Adjuster Asm. - Seat w/o Lock |
| | 037019-01-000 | EA | Seat Asm. - Seat - 2' x 34" Black |
| | 041302-01-000 | EA | Washer - Flat - 15 3/8" I.D. x 2 3/8" O.D. - Seal Belt |
| | 023680-01-000 | EA | Bracket - Seal Belt |
| | 037021-01-000 | EA | Seat Asm. - Seat - 2' x 30" Black |

DRIVER'S COMPARTMENT GROUP (CONTINUED)

DASH SWITCHES AND GAUGES

| Key | Part Number | U/M | Description |
|-----|---------------|-----|---------------------------------------|
| | 024466-01-000 | EA | Switch - Rear Wiper |
| | 024476-01-000 | EA | Switch - Generator x.o Circuit Board |
| | 024481-01-000 | EA | Switch - Battery |
| | 024483-01-000 | EA | Switch - Blinker |
| | 024484-01-000 | EA | Switch - Washer |
| | 024485-01-000 | EA | Switch - Fuel |
| | 024487-01-000 | EA | Switch - Wiper |
| | 024489-01-000 | EA | Switch - Battery Condition |
| | 024907-01-000 | EA | Control Asm. - Heater - A/C - 3 Speed |
| | 031376-02-000 | EA | Control Asm. - Heater - 2 Speed |
| | 024459-01-000 | EA | Gauge - Voltmeter |
| | 024460-01-000 | EA | Gauge - Vacuum |
| | 031375-01-000 | EA | Gauge - Aux Fuel |
| | 031385-01-000 | EA | Gauge - Hourmeter |

FRONT OVERHEAD BUNK CABINET

| Key | Part Number | U/M | Description |
|-----|---------------|-----|--|
| | 031471-03-100 | EA | Cabinet Asm. - Glide Away - Overhead |
| | 031471-03-101 | EA | Door - Sliding - Glide Away - Overhead |
| | 039145-01-000 | EA | Fingerpull |
| | 039785-01-000 | FT | Track - Sliding Door - Upper - Plastic |
| | 039786-01-000 | FT | Track - Sliding Door - Lower - Plastic |

MISCELLANEOUS DRIVERS COMPARTMENT COMPONENTS

| Key | Part Number | U/M | Description |
|-----|---------------|-----|---|
| | 034300-02-000 | EA | Cover - Motor - Plastic |
| | 020763-01-000 | EA | Seat - Motor |
| | 035022-01-000 | FT | Tape - Windshield - 3'6" x 3'6" Butyl |
| | 039357-01-000 | EA | Latch - Rubber - Drawhandle - 5'3"4" w/Strike |
| | 039355-01-000 | EA | Latch - Rubber - Drawhandle - 3" w/Strike |
| | 039356-01-000 | EA | Cable - Fresh Air - Bowden - 52" |
| | 037375-01-000 | EA | Mirror - Inside - 4 1/2" x 9" |
| | 031003-03-000 | EA | Side Panel - Oxen Tan - Left |
| | 031004-03-000 | EA | Side Panel - Oxen Tan - Right |
| | 032759-02-000 | EA | Sumisor Asm. - Right - Oxen Tan |
| | 032759-02-000 | EA | Sumisor Asm. - Left - Oxen Tan |

ELECTRICAL GROUP

BL

| Key | Part Number | U/M | Description |
|-----|---------------|-----|-------------------------------|
| | 037335-01-000 | EA | Bulb - 1157 |
| | 038010-01-000 | EA | Bulb - 1143 |
| | 008103-01-000 | EA | Bulb - 53 |
| | 008214-01-000 | EA | Bulb - 67 |
| | 008215-01-000 | EA | Bulb - 1000 |
| | 008216-01-000 | EA | Bulb - 1034 |
| | 008217-01-000 | EA | Bulb - 1071 |
| | 008218-01-000 | EA | Bulb - 1141 |
| | 008219-01-000 | EA | Bulb - 656 |
| | 008220-01-000 | EA | Bulb - 12 Volt - 25 Watt |
| | 038183-01-000 | EA | Bulb - 184 |
| | 700020-01-000 | EA | Bulb - 12 Volt - 20 Watt 130J |
| | 008213-01-000 | EA | Bulb - 57 |

EXTERIOR LIGHTS

| Key | Part Number | U/M | Description |
|-----|---------------|-----|---|
| | 008062-01-000 | EA | Light - Porch - Recessed |
| | 039865-01-000 | EA | Lens - Clearance Light - Round Amber |
| | 039863-01-000 | EA | Lens - Clearance Light - Round Red |
| | 033562-01-000 | EA | Light - Clearance - Oval Amber - 2 Bulb |
| | 033745-01-000 | EA | Light - Clearance - Oval Amber 1 Bulb |
| | 033745-02-000 | EA | Light - Clearance - Oval Red - 1 Bulb |
| | 037585-01-000 | EA | Lamp Asm. - Tail - Right |
| | 037585-02-000 | EA | Lamp Asm. - Tail - Left |
| | 037585-03-000 | EA | Lens - Tail Lamp - Right |
| | 037585-04-000 | EA | Lens - Tail Lamp - Left |
| | 037586-01-000 | EA | Lamp Asm. - Turn - Right |
| | 037586-02-000 | EA | Lamp Asm. - Turn - Left |

INTERIOR LIGHTS

| Key | Part Number | U/M | Description |
|-----|---------------|-----|--|
| | 007309-01-000 | EA | Light - Stepwell |
| | 008114-01-000 | EA | Light - Dome - 12 Volt |
| | 024473-01-000 | EA | Light - Aircraft - 1 Bulb Gold |
| | 033505-01-000 | EA | Light - Dome - 1 Bulb |
| | 033509-01-000 | EA | Light - Dome - 2 Bulb |
| | 021642-01-701 | EA | Lens - Dome Light - 1 Bulb |
| | 024643-01-701 | EA | Lens - Dome Light - 2 Bulb |
| | 039559-01-000 | EA | Lighter - w/Night Light and Wall Plate |

FUSES AND CIRCUIT BREAKERS

| Key | Part Number | U/M | Description |
|-----|---------------|-----|-------------------------------------|
| | 008233-01-000 | EA | Fuse - 12 Volt - 6 Amp |
| | 008234-01-000 | EA | Fuse - 12 Volt - 10 Amp |
| | 008235-01-000 | EA | Fuse - 12 Volt - 15 Amp |
| | 008236-01-000 | EA | Fuse - 12 Volt - 20 Amp |
| | 008246-01-000 | EA | Fuse - 12 Volt - 30 Amp |
| | 008273-01-000 | EA | Fuse - 12 Volt - 9 Amp |
| | 008251-01-000 | EA | Fuse Holder - Black - Screw Type |
| | 008212-01-000 | EA | Circuit Breaker - 12 Volt - 5 Amp |
| | 008208-01-000 | EA | Circuit Breaker - 12 Volt - 40 Amp |
| | 008573-01-000 | EA | Circuit Breaker - 12 Volt - 20 Amp |
| | 018252-01-000 | EA | Circuit Breaker - 12 Volt - 30 Amp |
| | 008299-01-000 | EA | Circuit Breaker - 12 Volt - TQP 115 |
| | 008300-01-000 | EA | Circuit Breaker - 12 Volt - TQP 230 |
| | 008298-01-000 | EA | Load Center - 50 Amp - E Circuit |
| | 008275-01-000 | EA | Safety Block - Circuit Breaker |

K-17

**1975 WINNEBAGO
TABLE OF CONTENTS**

| | |
|--------------------|-------------|
| Introduction | A-1 |
| Abbreviations | A-1 |
| Alphabetical Index | A-2 - A-4 |
| D25C | A-5 - B-14 |
| D25CL | B-15 - C-24 |
| D27C | D-7 - E-10 |
| D27CL | E-11 - F-20 |
| D29CURS | F-21 - H-6 |
| D27CU | H-7 - I-15 |
| D27CUL | I-19 - K-6 |
| D25CU | K-7 - L-16 |

1975 D25CU INDEX

| | |
|------------------------------------|-------------|
| Floor Plan | K-7 - K-8 |
| Accessories Group | K-9 - K-10 |
| Bath Group | K-11 |
| Chassis Group | K-11 - K-12 |
| Curtain, Cushion & Pad Group | K-13 - K-15 |
| Dinette Group | K-16 |
| Driver's Compartment Group | K-16 - K-17 |
| Electrical Group | K-18 - K-19 |
| Exterior Body Group | K-20 - K-23 |
| Galley Group | K-24 |
| Heating & Air Conditioning Group | L-1 |
| Interior Finish Group | L-2 - L-3 |
| LP Group | L-4 |
| Lounge Group | L-4 |
| Water & Sewage Group | L-5 |
| Window, Vent & Exterior Door Group | L-6 - L-16 |

K-18

ELECTRICAL GROUP (CONTINUED)

WINDSHIELD WIPER AND WASHER

| Key | Part Number | U/M | Description |
|-----|---------------|-----|--|
| | 007029-01-000 | EA | Washer Asm. - Electric - Front |
| | 007181-01-000 | EA | Washer Asm. - Electric - Rear |
| | 037999-01-000 | EA | Motor Asm. - Windshield Wiper |
| | 037999-01-000 | EA | Link Asm. - Connecting - 22.4" Long |
| | 038000-01-000 | EA | Blade - Windshield Wiper - 16" |
| | 038001-01-000 | EA | Shaft and Pivot Asm. - 2.25" Arm |
| | 037997-01-000 | EA | Arm - Windshield Wiper - 15" |
| | 700073-05-000 | EA | Pump and Cover Asm. - (Washer) |
| | 700073-02-000 | EA | Washer - Nozzle Hardware Package - Front |

WIRE, SWITCHES AND RECEPTACLES

| Key | Part Number | U/M | Description |
|-----|---------------|-----|--|
| | 008024-01-000 | FT | Wire - 18.5 - Insulated - Orange/White/Yellow/Blue/Brown |
| | 008025-01-000 | FT | Wire - 18.5 Bonded - Orange/White/Yellow/Blue/Green |
| | 008026-01-000 | FT | Wire - 18.5 Bonded - Blue/Red/Yellow/Orange/White |
| | 008032-01-000 | FT | Wire - 15.4 Bonded |
| | 008195-01-000 | EA | Switch - Push Button - 12 Volt |
| | 008162-01-000 | EA | Switch - Double Toggle - Spade Brown |
| | 008153-01-000 | EA | Switch - Toggle - Brown |
| | 008077-01-000 | EA | Plaque - Compressor Switch |
| | 008054-01-000 | EA | Power Cord - 25' |
| | 008058-01-000 | EA | Adaptor - Power Cord |
| | 024924-01-000 | EA | Receptacle - Power Cord w/Plate |
| | 008157-01-000 | EA | Receptacle - Duplex - Brown |
| | 047351-01-000 | EA | Receptacle - Ground Fault Interrupter - 125 Volt |
| | 024571-01-000 | EA | Cover Plate - Receptacle - Jumbo Steel Brown |
| | 008154-01-000 | EA | Cover Plate - Switch - Single Plastic Brown |
| | 031295-01-000 | EA | Receptacle - TV - 12 Volt - Brown |

MISCELLANEOUS ELECTRICAL COMPONENTS

| Key | Part Number | U/M | Description |
|-----|---------------|-----|---|
| | 038659-01-000 | EA | Lighter w/Night Light and Wall Plate |
| | 046775-01-000 | EA | Valve Asm. - Fuel Changeover |
| | 002155-01-000 | EA | Solenoid - Dual Battery - Relay |
| | 047389-01-000 | EA | Battery - 12 Volt - 105 Amp. Deep Cycle - Dry |
| | 047335-01-000 | EA | Isolator - Dual Battery |
| | 024417-01-000 | EA | Panel - Control - Water/Double Sewage - Wamac |
| | 011024-01-000 | EA | Sending Unit - Water Tank - 5 Wire |
| | 039951-01-000 | EA | Sending Unit Kit - Wamac |
| | 006257-01-000 | EA | Converter - 30 Amp. Electronic |

EXTERIOR BODY GROUP

LABELS AND DECALS

| Key | Part Number | U/M | Description |
|-----|---------------|-----|--|
| | 006001-01-000 | EA | Name Plate - Plastic - Winnebago Chrome |
| | 006023-01-000 | EA | Label - Water Only |
| | 006025-01-000 | EA | Label - Gas |
| | 006031-01-000 | EA | Label - Potable Water Only |
| | 006040-01-000 | EA | Tag - Gas Refueling Warning |
| | 006197-01-000 | EA | Label - Sewage |
| | 006198-01-000 | EA | Label - Waste Water |
| | 006199-01-000 | EA | Label - Exit - Escape Hatch |
| | 006022-01-000 | EA | Label - Drain Cap - 2" x 3" |
| | 006084-01-000 | EA | Label - Aux. Gas |
| | 038204-01-000 | EA | Decal - Grill - Flying W |
| | 038403-01-000 | EA | Decal - Logo - Winnebago - 2.3" |
| | 041277-01-000 | EA | Decal - Flying W - Right Brown |
| | 041277-02-000 | EA | Decal - Flying W - Left - Brown |
| | 041273-01-000 | FT | Decal - Stripe - 2" Black |
| | 041274-01-000 | EA | Decal - Striping - 2 1/2" Brown |
| | 041275-01-000 | EA | Decal - Curved Section - Right - Black |
| | 041275-02-000 | EA | Decal - Curved Section - Left - Black |
| | 041276-01-000 | EA | Decal - Custom Logo - Right - Brown |
| | 041276-02-000 | EA | Decal - Custom Logo - Left - Brown |
| | 006092-01-000 | EA | Reflector - Stick On - Rectangular - Red |
| | 006093-01-000 | EA | Reflector - Stick On - Rectangular - Amber |

SEALANTS, ADHESIVES AND FASTENERS

| Key | Part Number | U/M | Description |
|-----|---------------|-----|---|
| | 034552-05-000 | EA | Sealant - Off White Silicone |
| | 034552-04-000 | EA | Sealant - Beige Silicone |
| | 034552-02-000 | EA | Sealant - Clear - Silicone |
| | 004346-02-000 | EA | Sealant - Aluminum - Silicone |
| | 004349-01-000 | EA | Sealant - Black - Aluminum |
| | 004342-01-000 | EA | Sealant - Weather Ban - 202 Tube |
| | 004348-02-000 | EA | Sealant - White Silicone |
| | 002316-01-000 | FT | Sealer Tape - 3/32" x 3/8" - White |
| | 024545-01-000 | FT | Sealer Tape - 1/8" x 5/8" - Black |
| | 004350-01-000 | FT | Sealer Tape - 1/8" x 1" Formaseal |
| | 004352-01-000 | FT | Sealer Tape - 1/8" x 3/4" Formaseal |
| | 004355-01-000 | FT | Sealer Tape - 1/8" x 5/8" - Black |
| | 004357-01-000 | FT | Sealer Tape - 1/8" x 5/8" - Adhesive |
| | 002707-02-000 | FT | Sealer Tape - 5/16" x 1/2" |
| | 002707-01-000 | FT | Sealer Tape - 5/16" x 3/4" - Black Foam |
| | 002705-01-000 | FT | Sealer Tape - 5/16" x 1/2" |
| | 004362-01-000 | FT | Sealer Tape - 3/16" x 1/2" - Foam |
| | 004362-01-000 | FT | Sealer Tape - 1/8" x 5/8" - Foam |
| | 005200-01-000 | EA | Tape - Furnace 1 1/2" |
| | 041839-01-000 | FT | Tape - Window Latch 3/4" Adhesive |
| | 041839-02-000 | FT | Tape - Window Latch 1/2" Adhesive |
| | 004353-01-000 | FT | Tape - Gasket - 1/8" x 3/4" - White |
| | 002625-01-000 | FT | Weather Stripping - Roof Vent |
| | 002337-01-000 | FT | Adhesive - 3M - 1300 Tube |
| | 004005-01-000 | GL | Adhesive - Swifts - Green Glue (Sidewall) |
| | 004012-01-000 | EA | Adhesive - 3M - 4475 Tube |
| | 004020-01-000 | OT | Adhesive - ABS Cement (Plastic Fittings) |
| | 029351-01-000 | EA | Adhesive - Spray Vinyl |
| | 042431-01-000 | EA | Screw - 8 - 18 x 3/4" SDPH - Beige |
| | 042433-01-000 | EA | Screw - SF/UR - 6 - 18 x 1" - Beige |
| | 005081-01-000 | EA | Screw - Wood - 12-11 x 3" P.O.H. Zinc |

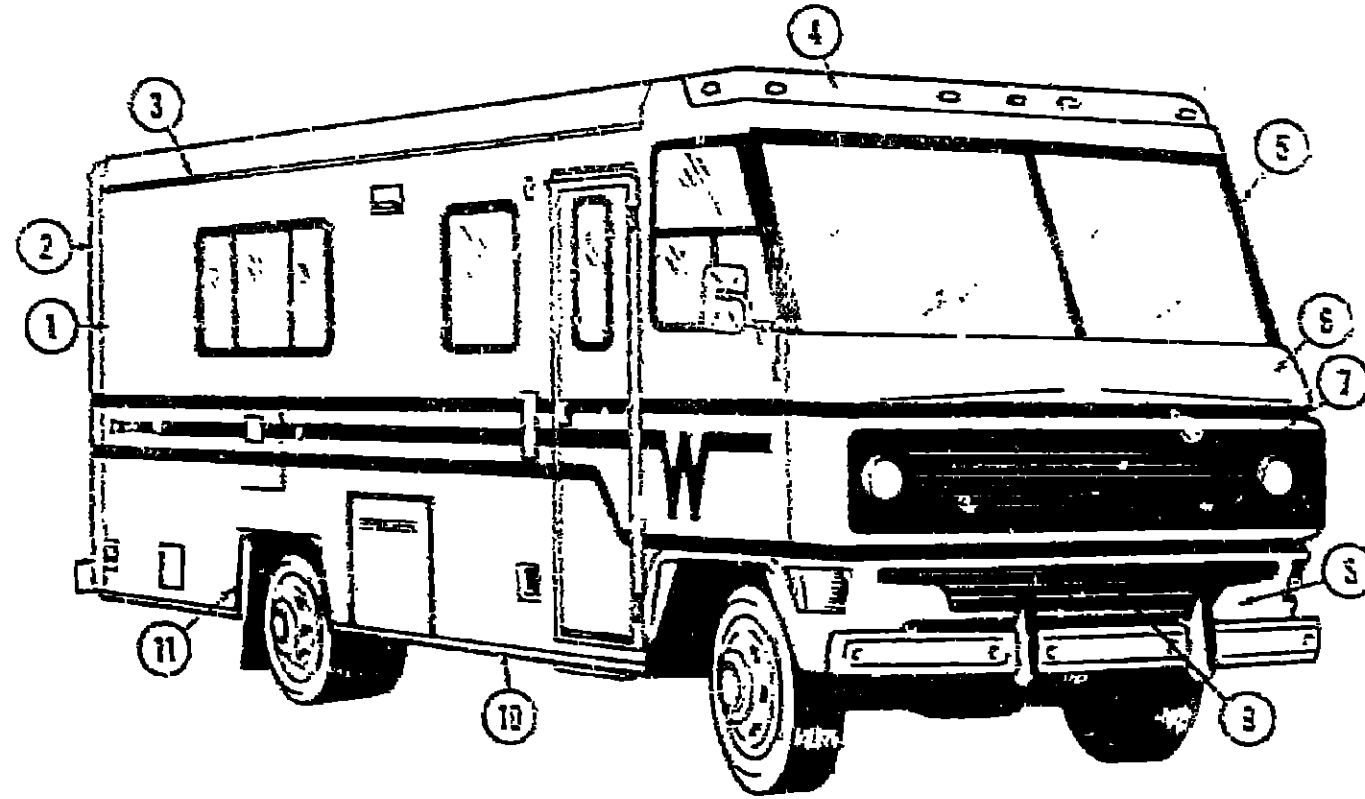
1975 WINNEBAGO TABLE OF CONTENTS

| | |
|--------------------|-------------|
| Introduction | A-1 |
| Abbreviations | A-1 |
| Alphabetical Index | A-2 - A-4 |
| D25C | A-5 - B-14 |
| D25CL | B-15 - C-24 |
| D27C | D-1 - E-10 |
| D27CL | E-11 - F-20 |
| D29CURB | F-21 - H-5 |
| D27CU | H-7 - I-18 |
| D27CUL | I-19 - K-6 |
| D25CU | K-7 - L-10 |

1975 D25CU INDEX

| | |
|------------------------------------|-------------|
| Floor Plan | K-7 - K-8 |
| Accessories Group | K-9 - K-10 |
| Bath Group | K-11 |
| Chassis Group | K-11 - K-12 |
| Curtain, Cushion & Pad Group | K-13 - K-15 |
| Dimette Group | K-16 |
| Driver's Compartment Group | K-16 - K-17 |
| Electrical Group | K-15 - K-19 |
| Exterior Body Group | K-20 - K-23 |
| Galley Group | K-24 |
| Heating & Air Conditioning Group | L-1 |
| Interior Finish Group | L-2 - L-3 |
| LP Group | L-4 |
| Lounge Group | L-4 |
| Water & Sewage Group | L-5 |
| Window, Vent & Exterior Door Group | L-5 - L-15 |

EXTERIOR BODY GROUP (CONTINUED)



1975 WINNEBAGO
TABLE OF CONTENTS

| | |
|--------------------|-------------|
| Introduction | A-1 |
| Abbreviations | A-1 |
| Alphabetical Index | A-2 - A-4 |
| D25C | A-5 - B-14 |
| D25C1 | B-15 - C-24 |
| D27C | D-1 - E-10 |
| D27C1 | E-11 - F-20 |
| D29CURB | F-21 - H-6 |
| D27CU | H-7 - I-16 |
| D27CUL | I-19 - K-6 |
| D25CU | K-7 - L-16 |

| Key | Part Number | U/M | Description |
|-----|---------------|-----|--|
| 1 | 044975-06-000 | EA | Extr. - "J" Molding - 129" - Beige |
| 2 | 040363-01-000 | EA | Cap Asm. - Fiberglass w/Small Window Cutout - Rear |
| 3 | 009717-02-002 | EA | Extr. - Drip Rad - 13' |
| 4 | 036512-01-000 | EA | Cap Asm. - Fiberglass - Front - Above Windshield |
| 5 | 037455-01-000 | EA | Frame Asm. - Windshield w/o Glass |
| 6 | 040362-01-000 | EA | Cap Asm. - Fiberglass - front - Below Windshield |
| 7 | 037809-01-000 | EA | Grille Asm. - Upper |
| 8 | 036502-01-000 | EA | Cap Asm. - Fiberglass - Lower Wraparound |
| 9 | 036364-01-000 | EA | Grille Asm. - Lower |
| 10 | 037559-03-001 | EA | Extr. - Rocker Panel - Beige |

| Key | Part Number | U/M | Description |
|-----|-----------------|-----|---|
| 11 | 039953-01-000 | EA | Trim - Rear Wheelwell - Left or Right |
| - | 002776-02-001 | EA | Extr. - Anod. - U-Channel - Serrated - 1 3/4" x 16" |
| - | 002779-02-001 | EA | Extr. - Anod. - U-Channel - Ribbed - 1 3/4" x 16" |
| - | 002754-02-001 | EA | Extr. - Anod. - Angle - 3/4" x 3/4" x 18" |
| - | 002665-02-001 | EA | Extr. - Anod. - U-Channel - Serrated - 1" x 16" |
| - | 021437-01-000 | EA | Latch Asm. - Grille |
| - | 038493-01-000 | EA | Trim - Windshield - Right - Black |
| - | 038433-02-000 | EA | Trim - Windshield - Left - Black |
| - | 038424-01-000 | EA | Trim - Windshield - Center - Black |
| - | Not Illustrated | | |

1975 D25CU INDEX

| | |
|------------------------------------|-------------|
| Floor Plan | K-7 - K-8 |
| Accessories Group | K-9 - K-10 |
| Bath Group | K-11 |
| Chassis Group | K-11 - K-12 |
| Curtain, Cushion & Pad Group | K-13 - K-15 |
| Dinette Group | K-16 |
| Driver's Compartment Group | K-16 - K-17 |
| Electrical Group | K-18 - K-19 |
| Exterior Body Group | K-20 - K-23 |
| Galley Group | K-24 |
| Heating & Air Conditioning Group | L-1 |
| Interior Finish Group | L-2 - L-3 |
| LP Group | L-4 |
| Lounge Group | L-4 |
| Water & Sewage Group | L-5 |
| Window, Vent & Exterior Door Group | L-6 - L-16 |

EXTERIOR BODY GROUP (CONTINUED)

EXTERIOR PAINT

| Key | Part Number | U/M | Description |
|-----|---------------|-----|---|
| | 044485-01-000 | EA | Paint - Beige - Acrylic Enamel - 1 Gallon |
| | 044485-03-000 | EA | Paint - Beige - Acrylic Enamel - 16 Oz. Aerosol |
| | 044486-04-000 | EA | Paint - Beige - Acrylic Lacquer - 1 Gallon |
| | 041561-01-000 | EA | Paint - Off White - Acrylic Enamel - 1 Gallon |
| | 041561-03-000 | EA | Paint - Off White - Acrylic Enamel - 16 Oz. Aerosol |
| | 041561-04-000 | EA | Paint - Off White - Acrylic Lacquer - 1 Gallon |

EXTERIOR BODY PANELS AND SHEET ALUMINUM

| Key | Part Number | U/M | Description |
|-----|---------------|-----|---|
| | 037752-01-000 | EA | Backwall - Asm |
| | 037751-01-000 | EA | Roof Asm |
| | 037749-01-000 | EA | Sidewall Asm. - Right |
| | 037750-01-000 | EA | Sidewall Asm. - Left |
| | 040363-01-000 | EA | Cap - Rear - Fiberglass |
| | 040365-01-000 | EA | Spare Tire Cover |
| | 039155-02-005 | EA | Aluminum - Beige Mesa Design - .024" x 55" x 80" |
| | 039155-02-002 | EA | Aluminum - Beige Mesa Design - .024" x 35" x 300" |
| | 039155-02-003 | EA | Aluminum - Beige Mesa Design - .024" x 35" x 360" |
| | 039155-02-007 | EA | Aluminum - Beige Mesa Design - .024" x 45" x 60" |
| | 039155-02-005 | EA | Aluminum - Beige Mesa Design - .024" x 45" x 300" |
| | 039155-02-006 | EA | Aluminum - Beige Mesa Design - .024" x 45" x 360" |
| | 039155-02-009 | EA | Aluminum - Beige Mesa Design - .024" x 12" x 360" |
| | 035545-01-000 | EA | Aluminum - Greyhound - .024" x 45" x 95" |
| | 001016-01-004 | EA | Aluminum - No Design - .024" x 45" x 95" |
| | 000659-01-000 | BF | Styrofoam - 3/4" x 24" x 95" |
| | 000570-01-000 | BF | Styrofoam - 1 1/2" x 24" x 95" |

MISCELLANEOUS EXTERNALLY MOUNTED PARTS

| Key | Part Number | U/M | Description |
|-----|---------------|-----|--|
| | 016253-01-000 | EA | Fuel Fill - Recessed - Single Beige - 2 7/16" Hole |
| | 016253-02-000 | EA | Fuel Fill - Recessed - Single Beige - 2" Hole |
| | 015567-05-000 | EA | Fuel Fill - Recessed - Double Beige |
| | 022620-02-000 | EA | Water Fill - Recessed - Beige |
| | 031564-01-000 | EA | Handle - Assist - Recessed - White |
| | 011129-01-000 | EA | Plumbing Seal - Roof - White 1 1/2" |
| | 011124-01-000 | EA | Plumbing Seal - Roof - White 1 1/4" |
| | 011005-01-000 | EA | Spout - Water Fill - w/ Gauge |
| | 049347-01-000 | EA | Mirror Head - 7 1/2" x 13 1/2" - Stainless Steel |
| | 049348-01-000 | EA | Arm - Low Mount Mirror - Bright Finish |
| | 049344-01-000 | EA | Bracket - Mirror - Outside - Beige |

GALLEY GROUP

| Key | Part Number | U/M | Description |
|-----|---------------|-----|--|
| | 037814-01-700 | EA | Cabinet Asm. - Galley w/ Counter, Drawers, Doors or Hardware |
| | 037814-01-701 | EA | Countertop Asm. - Galley Cabinet w/ Cutout - Butcher Block |
| | 037814-01-702 | EA | Drawer Asm. - Galley Cabinet - 5 1/4" x 14 1/8" w/ Hardware |
| | 037814-01-703 | EA | Door Asm. - Galley Cabinet - 8 11/16" x 25 7/8" w/ Hardware |
| | 041123-01-000 | EA | Breadboard Asm. - Butcher Block |
| | 037895-01-700 | EA | Cabinet Asm. - Galley Overhead w/ Doors or Hardware |
| | 037895-01-701 | EA | Door Asm. - Galley Overhead Cabinet 14 1/8" x 20 1/16" w/ Hardware |
| | 011033-01-000 | EA | Sink - Stainless Steel Double - Large/Small w/ Bolts |
| | 011034-01-000 | EA | Faucet Asm. - Swivel w/ Single Handle and Aerator |
| | 011034-01-700 | EA | Aerator - Swivel Faucet |
| | 036091-01-000 | EA | Tray - Cutlery - Gold |
| | 040435-01-000 | EA | Galley Extension - Butcher Block w/ Hardware |
| | 009059-01-000 | EA | Hinge - Galley Extension - 2" Gold |
| | 036249-01-000 | EA | Support - Galley Extension Table |
| | 044829-01-000 | EA | Sink Cover - Small - Butcher Block |
| | 044830-01-000 | EA | Sink Cover - Large - Butcher Block |
| ** | 034542-01-000 | EA | Refrigerator - Winnebago - Two Door - WB |
| ** | 034544-01-000 | EA | Refrigerator - Winnebago - Two Door - WT |
| ** | 034545-01-000 | EA | Refrigerator - Winnebago - One Door - WB |
| ** | 036335-01-000 | EA | Refrigerator - Dometic - One Door - RM55 |
| ** | 036337-01-000 | EA | Refrigerator - Dometic - Two Door - RM76 |
| ** | 036016-01-000 | EA | Range - Coleman Eyelevel - 2209C |
| ** | 046747-01-000 | EA | Range - Coleman Eyelevel - 2209F |
| * | 024669-01-000 | EA | Hood - Range - Eyelevel Oven - Strawins |
| * | 024569-01-700 | EA | Filter - Range Hood - Eyelevel Oven - Strawsins |
| | | | Not Illustrated |

** The illustrated parts breakdown for this item is produced on the Common Items Fiche.

1975 WINNEBAGO TABLE OF CONTENTS

| | |
|--------------------|-------------|
| Introduction | A-1 |
| Abbreviations | A-1 |
| Alphabetical Index | A-2 - A-4 |
| D25C | A-5 - B-14 |
| D25CL | B-15 - C-24 |
| D27C | D-1 - E-10 |
| D27CL | E-11 - F-20 |
| D29CURB | F-21 - H-6 |
| D27CU | H-7 - I-15 |
| D27CUL | I-16 - K-6 |
| D25CU | K-7 - L-15 |

1975 D25CU INDEX

| | |
|------------------------------------|-------------|
| Floor Plan | K-7 - K-8 |
| Accessories Group | K-9 - K-10 |
| Bath Group | K-11 |
| Chassis Group | K-11 - K-12 |
| Curtain Cushion & Pad Group | K-13 - K-15 |
| Dinette Group | K-16 |
| Driver's Compartment Group | K-16 - K-17 |
| Electrical Group | K-18 - K-19 |
| Exterior Body Group | K-20 - K-23 |
| Galley Group | K-24 |
| Heating & Air Conditioning Group | L-1 |
| Interior Finish Group | L-2 - L-3 |
| LP Group | L-4 |
| Lounge Group | L-4 |
| Water & Sewage Group | L-5 |
| Window, Vent & Exterior Door Group | L-6 - L-16 |

HEATING AND AIR CONDITIONING GROUP

EVANS AUTOMOTIVE HEATING AND AIR CONDITIONING

| Key | Part Number | U/M | Description |
|-----|---------------|-----|--|
| | 033922-01-000 | EA | Evaporator - Air Conditioner |
| | 033932-01-000 | EA | Valve - Expansion |
| | 033935-01-000 | EA | Core - Heater |
| | 035459-01-701 | EA | Blower Asm. - 3 Speed w. Motor |
| | 033926-01-000 | EA | Gold Control |
| | 035459-01-704 | EA | Resistor - Evans Heater |
| | 046217-01-000 | EA | Switch - Fan - 3 Speed Evans |
| | 033933-01-000 | EA | Compressor - Auto Air - Evans |
| | 033655-01-000 | EA | Condenser - Radiator Mount - Evans |
| | 033654-01-000 | EA | Receiver Drier |
| | 033934-01-000 | EA | Clutch - Compressor - Evans |
| | 048229-01-000 | EA | Kit - Auto Air - 440 - Evans |
| ** | 003135-01-000 | EA | Furnace - Coleman - 23,000 B.T.U. - 4023 |
| ** | 003136-01-000 | EA | Furnace - Coleman - 28,000 B.T.U. - 4028 |
| ** | 003140-01-000 | EA | Furnace - Coleman - 30,000 B.T.U. - 4030 |
| ** | 041603-01-000 | EA | Furnace - Coleman - 23,000 B.T.U. - 4226 |
| ** | 041604-01-000 | EA | Furnace - Coleman - 28,000 B.T.U. - 4230 |
| ** | 041605-01-000 | EA | Furnace - Coleman - 31,000 B.T.U. - 4235 |
| ** | 003119-01-000 | EA | Furnace - Suburban - 16,000 B.T.U. - NT16 |
| ** | 034014-01-000 | EA | Furnace - Lear Siegler - 32,000 B.T.U. - SRF32 |
| ** | 003126-01-000 | EA | Air Conditioner Asm. - Roof Mount - 10,000 BTU Mach I - Coleman w/o Inside Shroud |
| ** | 031280-01-000 | EA | Air Conditioner Asm. - Roof Mount - 13,500 BTU Mach III - Coleman w/o Inside Shroud |
| ** | 049777-01-000 | EA | Air Conditioner - Roof Mount - Ivory - 11,000 BTU Coleman - w/o Inside Shroud |
| ** | 049774-01-000 | EA | Air Conditioner - Roof Mount - Ivory - 13,500 BTU Coleman - w/o Inside Shroud |
| ** | 041735-01-000 | EA | Shroud Asm. - Air Conditioner - Inside Ceiling Cool Only - Mach I or Mach III |
| ** | 049778-01-000 | EA | Shroud Asm. - Air Conditioner - Inside Ceiling Cool Only - 11,000 BTU - Ivory |
| ** | 049775-01-000 | EA | Shroud Asm. - Air Conditioner - Inside Ceiling Cool Only - 13,500 BTU - Ivory |
| ** | 049776-01-000 | EA | Shroud Asm. - Air Conditioner - Inside Ceiling Heat and Cool - 13,500 BTU - Ivory |

** The illustrated parts breakdown for this item is provided on the Common Items Fiche.

INTERIOR FINISH GROUP

PANELING AND COUNTERTOP MATERIALS

| Key | Part Number | U/M | Description |
|-----|---------------|-----|--|
| | 037679-01-000 | SF | Panel - Ivory Linen - 48" x 96" |
| | 024944-01-000 | SF | Panel - Aztec - Gold Green 48" x 96" |
| | 024951-01-000 | SF | Panel - Bath Wall White |
| | 037681-01-000 | SF | Panel - Burlwood - 48" x 96" |
| | 024942-01-000 | SF | Panel - 150 Cherry - 48" x 96" |
| | 000726-02-000 | EA | Batt Strip - 150 Cherry |
| | 037682-01-000 | SF | Plastic Laminate - 48" x 96" - Butcher Block |
| | 033204-01-000 | SF | Plastic Laminate - Antique Leather - 48" x 96" |
| | 009814-05-000 | FT | T-Molding - Brown |
| | 009814-06-000 | FT | T-Molding - Tan Butcherblock |

FABRICS AND CARPET

| Key | Part Number | U/M | Description |
|-----|---------------|-----|--------------------------------|
| | 038665-02-000 | YD | Fabric - Upholstry - Green |
| | 038665-01-000 | YD | Fabric - Upholstry - Gold |
| | 037677-01-000 | YD | Fabric - Draps - Outer - Green |
| | 037677-02-000 | YD | Fabric - Draps - Outer - Gold |
| | 037677-03-000 | YD | Fabric - Draps - Outer - Brown |
| | 039174-01-000 | YD | Fabric - Draps - Inner - Ivory |
| | 039176-01-000 | YD | Vinyl - Nonsupport Brown |
| | 037678-03-000 | SY | Carpet Brown Coral Palms 511 |

INTERIOR MOLDINGS AND TRIMS

| Key | Part Number | U/M | Description |
|-----|---------------|-----|---|
| | 009779-01-000 | FT | U-Channel - 1 1/8" - Dark Brown |
| | 009778-01-000 | FT | U-Channel - 1" - Dark Brown |
| | 009760-01-000 | FT | U-Channel - 1 1/4" - Dark Brown |
| | 009720-01-000 | EA | Cover - Roll Bar - White - 85.46" |
| | 023221-01-000 | EA | Corner - Cover - Rollbar |
| | 034113-02-000 | EA | Corner - Cover - Support Bar - Brown |
| | 031575-01-000 | EA | Cover - Support Bar - Right |
| | 031575-02-000 | EA | Cover - Support Bar - Left |
| | 024700-03-000 | EA | Cover - Sidewall - Roll Bar - White |
| | 022756-01-000 | EA | Cover - A/C Heater |
| | 022755-01-000 | EA | Cover - Control Panel - Plastic |
| | 034659-01-000 | EA | Cover - Screw - 10 PPH - Plastic - White |
| | 009814-06-000 | FT | T-Molding - Tan - Butcher Block |
| | 009814-05-000 | FT | T-Molding - Brown |
| | 009812-03-000 | FT | Molding - Plastic - Outside Corner - .50" |
| | 009767-01-000 | FT | Waiting - Brown |
| | 018501-01-000 | EA | Pocket - Side Panel - Plastic |
| | 039697-01-000 | EA | Quarter Panel Asm. - Front Right Side |
| | 038698-01-000 | EA | Quarter Panel Asm. - Front Left Side |

1975 WINNEBAGO TABLE OF CONTENTS

| | |
|--------------------|-------------|
| Introduction | A-1 |
| Abbreviations | A-1 |
| Alphabetical Index | A-2 - A-4 |
| D25C | A-5 - B-14 |
| D25CL | B-15 - C-24 |
| D27C | D-1 - E-10 |
| D27CL | E-11 - F-20 |
| D29CURB | F-21 - H-6 |
| D27CU | H-7 - I-18 |
| D27CUL | I-19 - K-6 |
| D25CU | K-7 - L-16 |

1975 D25CU INDEX

| | |
|------------------------------------|-------------|
| Floor Plan | K-7 - K-8 |
| Accessories Group | K-9 - K-10 |
| Bath Group | K-11 |
| Chassis Group | K-11 - K-12 |
| Curtain, Cushion & Pad Group | K-13 - K-15 |
| Dinette Group | K-16 |
| Driver's Compartment Group | K-16 - K-17 |
| Electrical Group | K-18 - K-19 |
| Exterior Body Group | K-20 - K-23 |
| Galley Group | K-24 |
| Heating & Air Conditioning Group | L-1 |
| Interior Finish Group | L-2 - L-3 |
| LP Group | L-4 |
| Lounge Group | L-4 |
| Water & Sewage Group | L-5 |
| Window, Vent & Exterior Door Group | L-6 - L-16 |

INTERIOR FINISH GROUP (CONTINUED)

CURTAIN HARDWARE

| Key | Part Number | U/M | Description |
|-----|---------------|-----|---|
| | 052327-04-235 | EA | Curtain Track - Brown - 55" - Aluminum Replaces - 009105-01-000 - Marine Track |
| | 009107-01-000 | EA | Guide - Nylon - For Curtain Track 052327-04-235 |
| | 015031-42-000 | EA | Track - Curtain - L Rod - Aluminum 90" |
| | 009701-01-000 | EA | Carrier w. Rollers - L - Rod |
| | 009702-01-000 | EA | End Stop - Curtain - L Rod |
| | 020435-01-000 | EA | Track - Curtain - Left Front |
| | 021495-01-000 | EA | Track - Curtain - Right Front |

CABINETS AND TABLE HARDWARE

| Key | Part Number | U/M | Description |
|-----|---------------|-----|---|
| | 009047-01-000 | EA | Holder - Door - Overhead |
| | 009051-01-000 | EA | Warp Guard - 48" |
| | 009112-01-000 | EA | Flange - 1" Rod Chrome |
| | 047842-01-000 | EA | Kit - Dinette Table Leg |
| | 047809-01-000 | EA | Kit - Dinette Table Hardware - Wall Mount |
| | 044559-01-000 | EA | Kit - Pull Asm. - Drawer |
| | 044550-01-000 | EA | Hinge Kit Asm. - Lower Door |
| | 044551-01-000 | EA | Hinge Kit Asm. - Upper Door |
| | 044552-01-000 | EA | Latch Kit Asm. - Flush Upper Door |
| | 044553-01-000 | EA | Latch Kit Asm. - Flush Lower Door |

MISCELLANEOUS PARTS

| Key | Part Number | U/M | Description |
|-----|---------------|-----|---|
| | 041944-01-700 | EA | Extinguisher - Fire w/Bracket - Dry |
| | 005098-01-000 | EA | Mirror Inside - 1/8" x 9" x 16" Beveled |
| | 009096-01-000 | EA | Mirror Inside - 1/8" x 12" x 42" |
| | 009089-01-000 | EA | Clip - Mirror - Plastic w/Screw |
| | 037021-01-000 | EA | Belt Asm. - Seat - 2" x 90" - Black |
| | 007019-01-000 | EA | Belt Asm. - Seat - 2" x 84" - Black |
| | 023580-01-000 | EA | Bracket - Seat Belt |
| | 024730-01-000 | EA | Grill - Plastic - 12 4" x 5 9" - Brown (Furnace Duct) |
| | 024935-01-000 | EA | Register - Heat - w/Damper 9.9" x 4 8" |
| | 009169-01-000 | EA | Grill - Plastic - 15 7" x 17 1" - Brown (Furnace) |

LP GROUP

| Key | Part Number | U/M | Description |
|-----|---------------|-----|---|
| | 015253-01-000 | EA | Compartment - LP - Black Plastic |
| | 008803-01-000 | EA | Tank - LP - 40 Pound Vertical |
| | 045703-01-000 | EA | Hose Asm. - LP - 3/8" I.D. x 24" |
| | 008515-01-000 | EA | Regulator - LP - Automatic |
| | 008820-01-000 | EA | Hose Asm. - LP - 1/4" I.D. x 16" - Flexible |
| | 015409-01-000 | EA | Strap Asm. - LP Bottle |

**1975 WINNEBAGO
TABLE OF CONTENTS**

| | |
|--------------------|-------------|
| Introduction | A-1 |
| Abbreviations | A-1 |
| Alphabetical Index | A-2 - A-4 |
| D25C | A-5 - B-14 |
| D25CL | B-15 - C-24 |
| D27C | D-1 - E-10 |
| D27CL | E-11 - F-20 |
| D29CURB | F-21 - H-8 |
| D27CU | H-7 - I-18 |
| D27CUL | I-19 - K-6 |
| D25CU | K-7 - L-16 |

LOUNGE GROUP

| Key | Part Number | U/M | Description |
|-----|---------------|-----|---|
| | 040576-01-000 | EA | Rack - Magazine - Wooden |
| | 037815-01-700 | EA | Cabinet Asm. - Twin Bed - Left - 76" w/o Door or Hardware |
| | 037815-01-701 | EA | Door Asm. - Twin Bed Cabinet - 17 1/2" x 11 3/4" w/o Hardware |
| | 037816-01-000 | EA | Cabinet Asm. - Twin Bed - Right - 76" |
| | 037897-01-700 | EA | Cabinet Asm. Twin Bed Overhead - Left w/o Door or Hardware |
| | 037898-01-700 | EA | Cabinet Asm. - Twin Bed Overhead - Right w/o Door or Hardware |
| | 037897-01-701 | EA | Door Asm. - Twin Bed Overhead - 14 1/8" x 30 7/16" w/o Hardware |

1975 D25CU INDEX

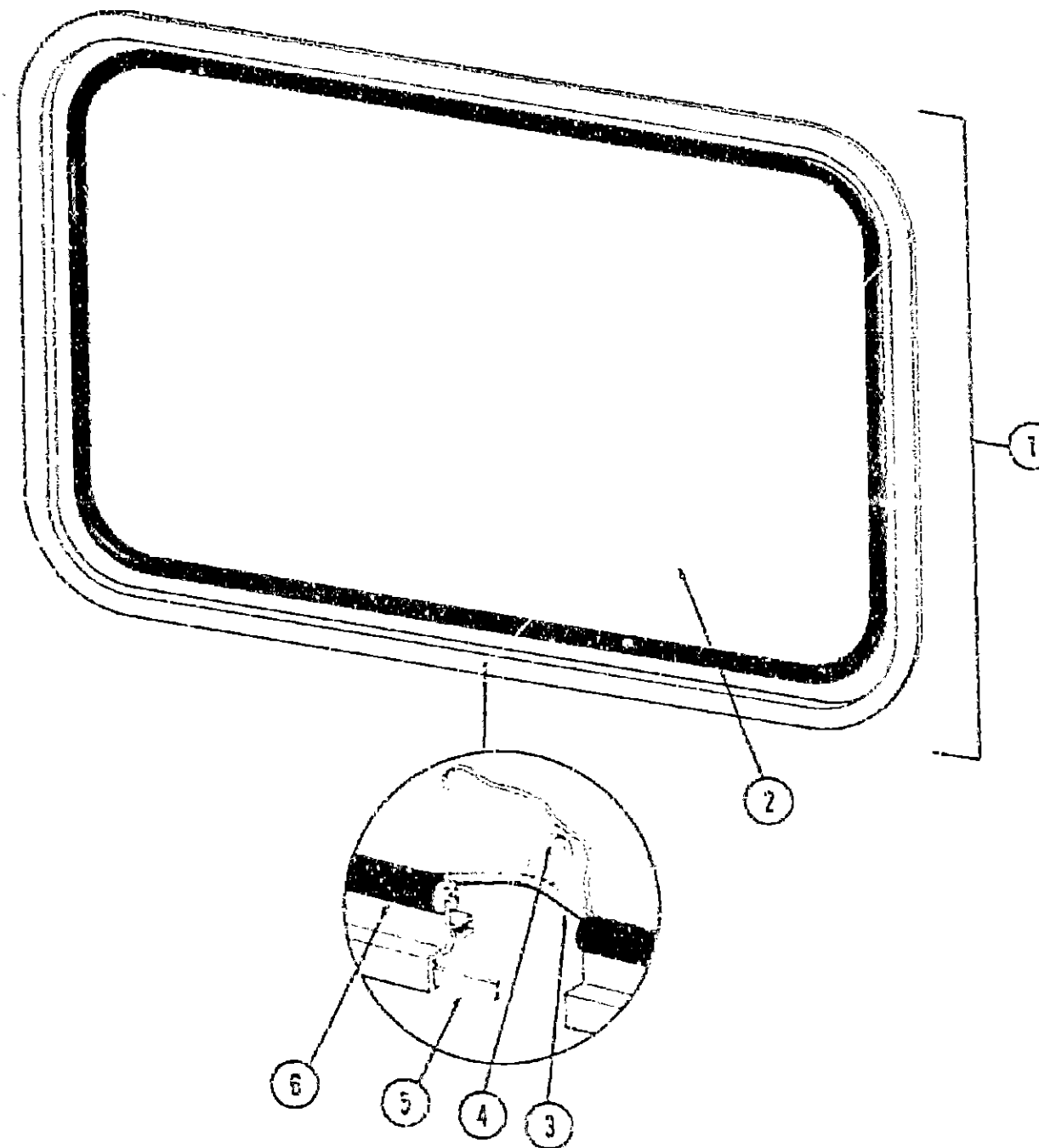
| | |
|------------------------------------|-------------|
| Floor Plan | K-7 - K-8 |
| Accessories Group | K-9 - K-10 |
| Bath Group | K-11 |
| Chassis Group | K-11 - K-12 |
| Curtain, Cushion & Pad Group | K-13 - K-15 |
| Dinette Group | K-16 |
| Driver's Compartment Group | K-16 - K-17 |
| Electrical Group | K-18 - K-19 |
| Exterior Body Group | K-20 - K-23 |
| Galley Group | K-24 |
| Heating & Air Conditioning Group | L-1 |
| Interior Finish Group | L-2 - L-3 |
| LP Group | L-4 |
| Lounge Group | L-4 |
| Water & Sewage Group | L-5 |
| Window, Vent & Exterior Door Group | L-6 - L-16 |

WATER AND SEWAGE GROUP

| Key | Part Number | U/M | Description |
|-----|---------------|-----|--|
| | 010201-01-000 | EA | Hose - Sewer - 3" x 10' w/Clamp |
| | 010205-01-000 | EA | Valve - Sanitary - Theiford 3XB |
| | 010234-01-000 | EA | Bayonet - Sewer Hose - Plastic |
| | 010235-01-000 | EA | Cap - Sewage - 3" Plastic |
| | 010235-01-000 | EA | Adapler - 3" Sewage Hose |
| | 011056-01-000 | EA | P-Trap - 1 1/4" Plastic |
| | 011091-01-000 | EA | Waste - Continuous - Double Sink - 11 7/8" |
| | 011095-01-000 | EA | Spout - Water Fill w/Gauge |
| | 700069-01-000 | EA | Gauge - Water Fill Spout |
| | 016727-01-000 | EA | Tank Asm. - Water - Galibond - 21 Gallon |
| | 011024-01-000 | EA | Sending Unit - Water Tank - 5 Wire |
| | 031282-01-000 | EA | Tank Asm. - Holding - Main w/Fittings - Plastic |
| | 014903-01-000 | EA | Tank - Holding - Main w/o Fittings - Plastic |
| | 036835-01-000 | EA | Tank Asm. - Holding - Auxiliary w/Fittings - Plastic |
| | 035531-01-000 | EA | Tank - Holding - Auxiliary - w/o Fittings - Plastic |
| | 045524-01-000 | EA | Kit - Fittings - Plastic Holding Tank |
| | 023633-01-000 | EA | Compressor - 12 Volt - Air - Water Systems |
| | 023633-01-700 | EA | Switch - Pressure - Air Compressor |
| | 004020-01-000 | QT | Cement - ABS - Plastic Pipe Fittings |
| ** | 051391-01-000 | EA | Water Heater - Atwood Bowen - G6A2 |
| ** | 031992-01-000 | EA | Water Heater - Atwood Bowen - GHS |

** The illustrated parts breakdown for this item is provided on the Common Items Fiche

WINDOW, VENT AND EXTERIOR DOOR GROUP



| Key | Part Number | U/M | Description |
|-----|---------------|-----|---|
| 1 | 020751-03-000 | EA | Window Asm - Escape - 23" x 29" - w/o Insided Frame |
| 2 | 002174-01-000 | EA | Glass - 1/8" x 19.61" x 25.92" |
| 3 | 002285-01-000 | FT | Weatherstrip - Filler - Black |
| 4 | 020395-01-000 | EA | Slip Ring - Pull |
| 5 | 004363-01-000 | FT | Tape - Foam - 3/16" x 1/2" - Gray - Inside |
| 6 | 002282-01-000 | FT | Weatherstrip - Window - 125" - Black |
| * | 020749-03-000 | EA | Frame - Window - Inside - 23" x 29" - Brown - Not Included with Asm |
| * | 003199-01-000 | EA | Label - Exit - Escape Window |
| * | | | Not Illustrated |

1975 WINNEBAGO TABLE OF CONTENTS

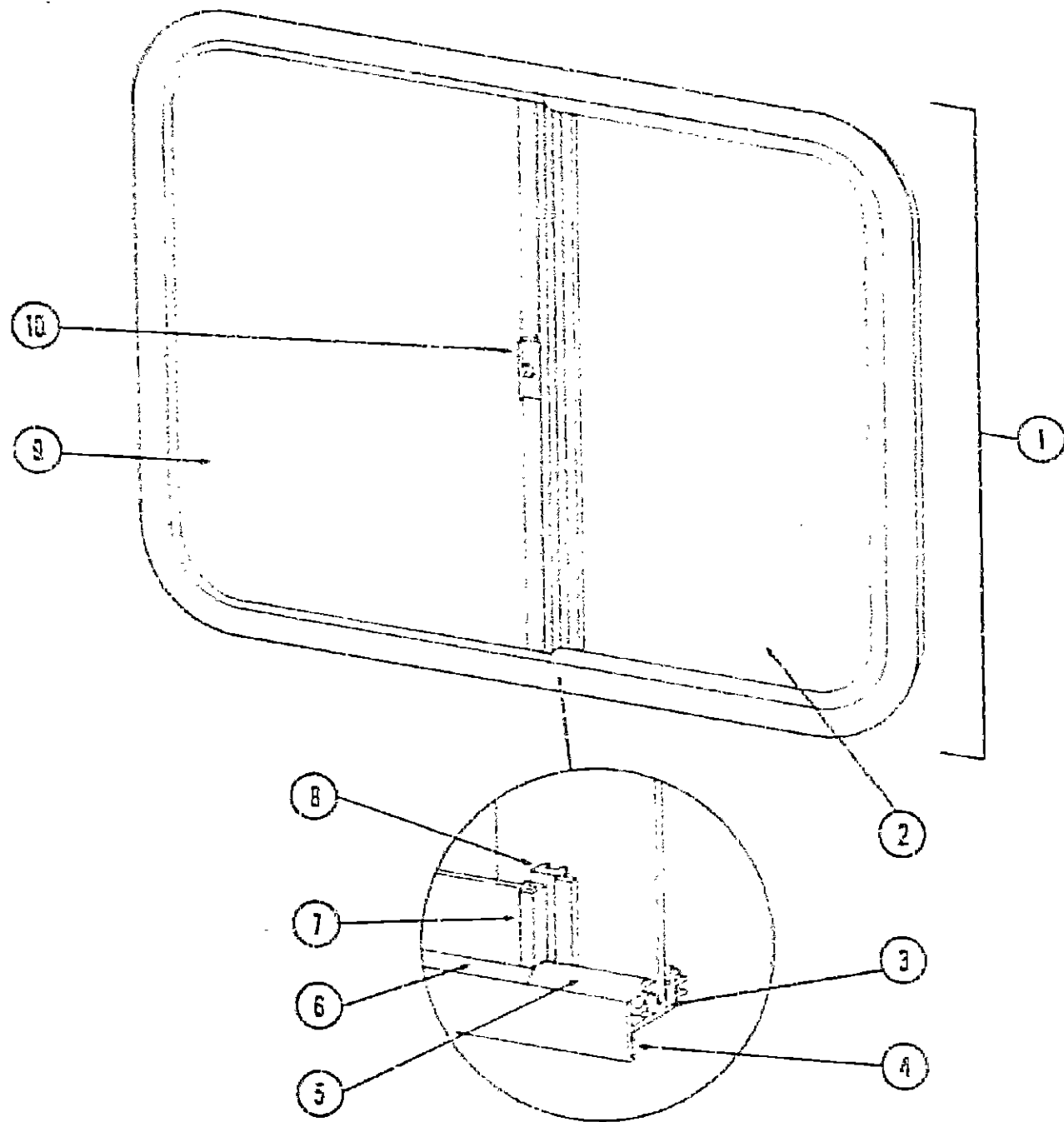
| | |
|--------------------|-------------|
| Introduction | A-1 |
| Abbreviations | A-1 |
| Alphabetical Index | A-2 - A-4 |
| D25C | A-5 - B-14 |
| D25CL | B-15 - C-24 |
| D27C | D-1 - E-10 |
| D27CL | E-11 - F-20 |
| D29CURB | F-21 - H-5 |
| D27CU | H-7 - I-16 |
| D27CUL | I-19 - K-5 |
| D25CU | K-7 - L-16 |

1975 D25CU INDEX

| | |
|------------------------------------|-------------|
| Floor Plan | K-7 - K-8 |
| Accessories Group | K-9 - K-10 |
| Bath Group | K-11 |
| Chassis Group | K-11 - K-12 |
| Curtain, Cushion & Pad Group | K-13 - K-15 |
| Dinette Group | K-16 |
| Driver's Compartment Group | K-16 - K-17 |
| Electrical Group | K-18 - K-19 |
| Exterior Body Group | K-20 - K-23 |
| Galley Group | K-24 |
| Heating & Air Conditioning Group | L-1 |
| Interior Finish Group | L-2 - L-3 |
| LP Group | L-4 |
| Lounge Group | L-4 |
| Water & Sewage Group | L-5 |
| Window, Vent & Exterior Door Group | L-5 - L-16 |

WINDOW, VENT AND EXTERIOR DOOR GROUP (CONTINUED)

WINDOW, VENT AND EXTERIOR DOOR GROUP (CONTINUED)



| Key | Part Number | U/M | Description |
|-----|---------------|-----|--|
| 1 | 045531-11-000 | EA | Window Asm. - Radius - Right Slider - 25" x 29" Black w/o Inside Frame |
| 2 | 002167-02-000 | EA | Glass - 3/16" x 24" x 21.025" - Sliding w/o Holes Used w/ Aluminum Latch |
| | 047622-01-000 | EA | Glass - 3/16" x 24" x 21.026" - Sliding w/Holes Used w/ Plastic Latch |
| 3 | 042077-01-000 | FT | Channel - Weatherstrip - Glass Run |
| 4 | 004353-01-000 | FT | Tape - Foam - 3/16" x 1/2" - Gray - Inside |
| 5 | 002263-02-000 | FT | Seal - Window Channel - Window w/ Aluminum Latch |
| | 041982-01-000 | FT | Seal - Window Channel - Window w/ Plastic Latch |
| 6 | 002309-01-000 | FT | Spline - Glass - 1/8" - Gray |
| 7 | 018025-01-000 | EA | Holder - Glass Seal - Anod. Clear |
| 8 | 018014-05-000 | EA | Mullion - Slider Window - Used w/ Aluminum Latch |
| | 041834-04-000 | EA | Mullion - Slider Window - Used w/ Plastic Latch |
| 9 | 002184-02-000 | EA | Glass - 3/16" x 24" x 16" - Stationary |
| 10 | 047369-01-700 | EA | Latch Asm. - Plastic |
| | 023275-01-000 | EA | Latch Asm. - Aluminum |
| | 042147-05-000 | EA | Inside Frame - 25" x 29" - Brown - Window w/ Plastic Latch Not included in Asm. |
| | 035276-04-000 | EA | Inside Frame - 25" x 29" - Brown - Window w/ Aluminum Latch Not included in Asm. |
| | 023713-02-000 | EA | Cover - Weephole - Black Plastic |
| | 041839-01-000 | FT | Tape - Foam - Aluminum Window Latch |
| | 002296-01-000 | FT | Spline Screen - .130 Dia - Gray |
| | 002233-01-000 | SF | Screen - Window - 25" - Gray |
| | | | Not illustrated |

1975 WINNEBAGO
TABLE OF CONTENTS

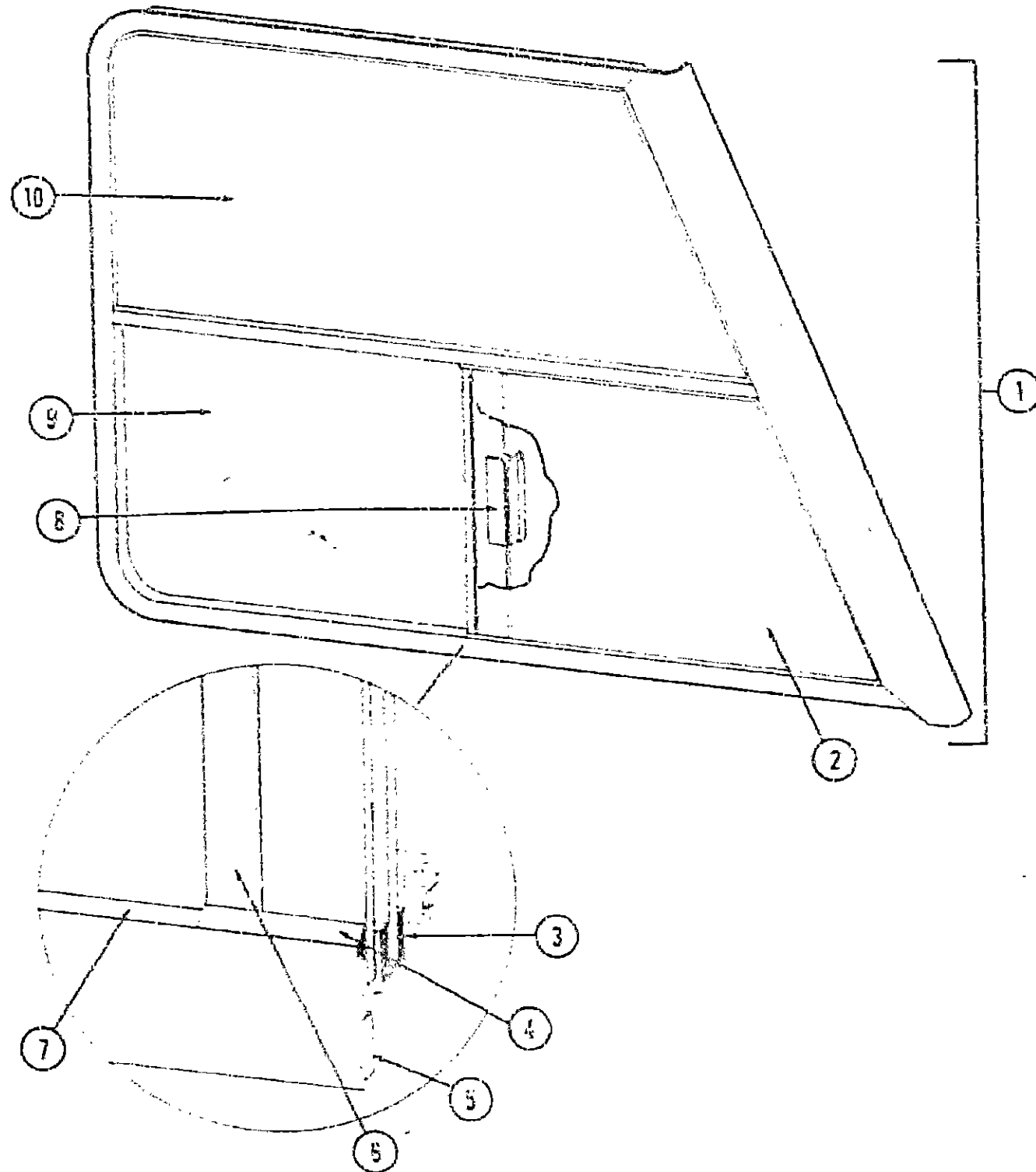
| | |
|--------------------|-------------|
| Introduction | A-1 |
| Abbreviations | A-1 |
| Alphabetical Index | A-2 - A-4 |
| D25C | A-5 - B-14 |
| D25CL | B-15 - C-24 |
| D27C | D-1 - E-10 |
| D27CL | E-11 - F-20 |
| D29CURB | F-21-H-6 |
| D27CU | H-7 - I-15 |
| D27CUL | I-16 - K-6 |
| D25CU | K-7 - L-15 |

1975 D25CU INDEX

| | |
|------------------------------------|-------------|
| Floor Plan | K-7 - K-8 |
| Accessories Group | K-9 - K-10 |
| Bath Group | K-11 |
| Chassis Group | K-11 - K-12 |
| Curtain, Cushion & Pad Group | K-13 - K-15 |
| Dinette Group | K-16 |
| Driver's Compartment Group | K-16 - K-17 |
| Electrical Group | K-18 - K-19 |
| Exterior Body Group | K-20 - K-23 |
| Galley Group | K-24 |
| Heating & Air Conditioning Group | L-1 |
| Interior Finish Group | L-2 - L-3 |
| LP Group | L-4 |
| Lounge Group | L-4 |
| Water & Sewage Group | L-5 |
| Window, Vent & Exterior Door Group | L-5 - L-16 |

WINDOW, VENT AND EXTERIOR DOOR GROUP (CONTINUED)

WINDOW, VENT AND EXTERIOR DOOR GROUP (CONTINUED)



| Key | Part Number | U/M | Description |
|-----|---------------|-----|--|
| 1 | 037870-01-000 | EA | Window Asm. - Black - Radius - Right Slanted Slider - w/o Inside Frame |
| | 037870-02-000 | EA | Window Asm. - Black - Radius - Left Slanted Slider - w/o Inside Frame |
| 2 | 037634-01-000 | EA | Glass - 13.81" x 21.12" x 14.37" |
| 3 | 022324-01-000 | FT | Channel - Weatherstrip - Glass Run - 1/8" Glass |
| 4 | 024095-01-000 | FT | Seal - Window Channel - Gray |
| 5 | 034353-01-000 | FT | Tape - Foam - 3/16" x 1/2" - Gray |
| 6 | 016023-03-000 | EA | Holder - Glass Seal - Black Anod. |
| 7 | 002309-02-000 | FT | Spline - Glass - 1/8" Black |
| 8 | 023275-01-000 | EA | Latch Asm. - Window |
| 9 | 037633-01-000 | EA | Glass - 13.81" x 16.94" - Sliding |
| 10 | 037635-01-000 | EA | Glass - 13.72" x 31.91" x 25.75" |
| | 027453-01-000 | EA | Frame - Inside - Front Slanted Slider - Right |
| | 037453-02-000 | EA | Frame - Inside - Front Slanted Slider - Left |
| | 023713-02-000 | EA | Cover - Weephole - Plastic - Black |
| | 002293-01-000 | SF | Screen - Window - 26" - Gray |
| | | | Not Illustrated |

1975 WINNEBAGO
TABLE OF CONTENTS

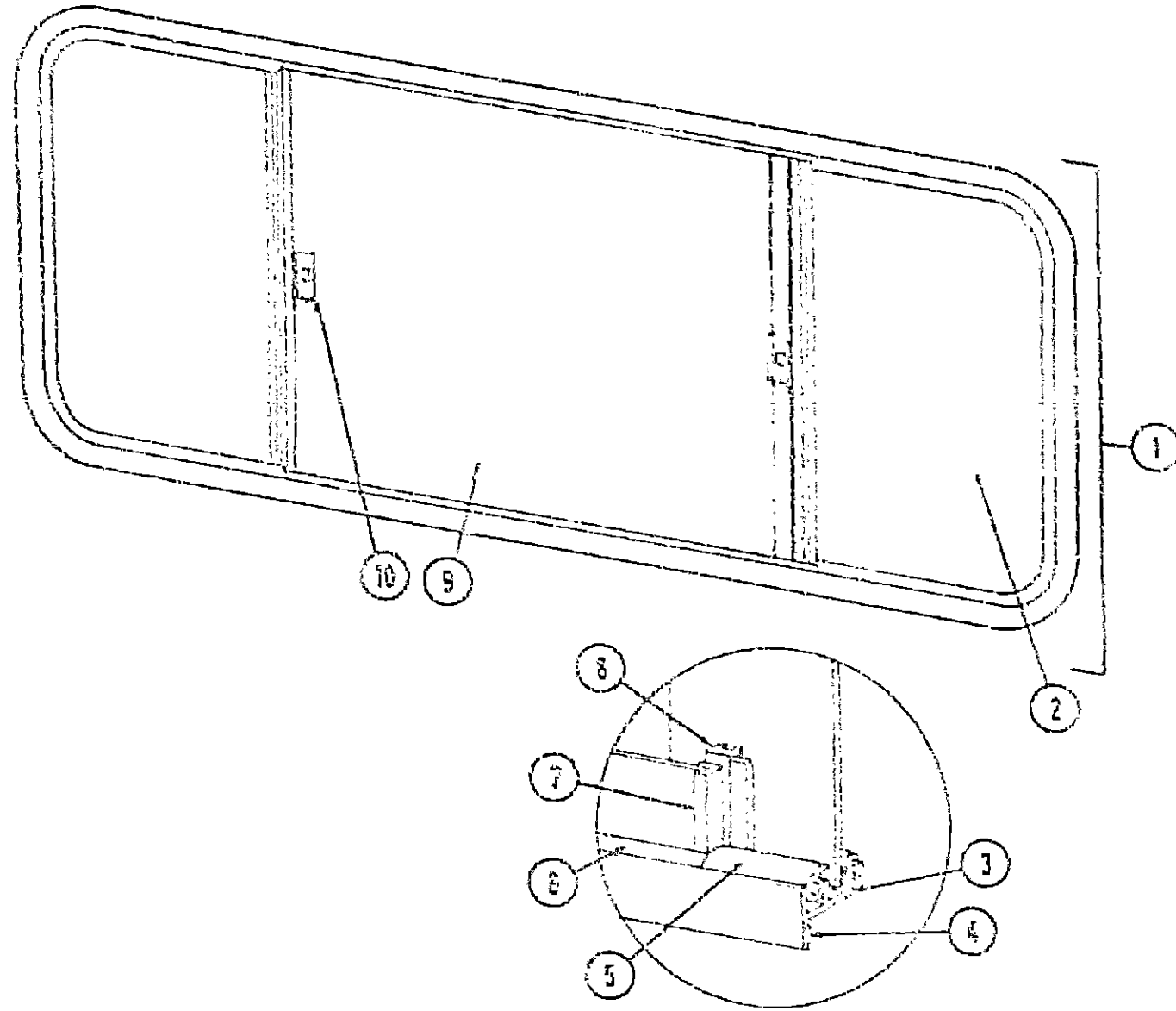
| | |
|--------------------|-------------|
| Introduction | A-1 |
| Abbreviations | A-1 |
| Alphabetical Index | A-2 - A-4 |
| D25C | A-5 - B-14 |
| D25CL | B-15 - C-24 |
| D27C | D-1 - E-10 |
| D27CL | E-11 - F-20 |
| D29CURB | F-21 - H-6 |
| D27CU | H-7 - I-16 |
| D27CUL | I-17 - K-6 |
| D25CU | K-7 - L-16 |

1975 D25CU INDEX

| | |
|------------------------------------|-------------|
| Floor Plan | K-7 - K-8 |
| Accessories Group | K-3 - K-10 |
| Bath Group | K-11 |
| Chassis Group | K-11 - K-12 |
| Curtain, Cushion & Pad Group | K-13 - K-15 |
| Dinette Group | K-16 |
| Driver's Compartment Group | K-15 - K-17 |
| Electrical Group | K-15 - K-19 |
| Exterior Body Group | K-20 - K-23 |
| Galley Group | K-24 |
| Heating & Air Conditioning Group | L-1 |
| Interior Finish Group | L-2 - L-3 |
| LP Group | L-4 |
| Lounge Group | L-4 |
| Water & Sewage Group | L-5 |
| Window, Vent & Exterior Door Group | L-5 - L-16 |

WINDOW, VENT AND EXTERIOR DOOR GROUP (CONTINUED)

WINDOW, VENT AND EXTERIOR DOOR GROUP (CONTINUED)



| Key | Part Number | U/M | Description |
|-----|---------------|-----|--|
| | 016084-01-000 | EA | Door Asm. - 9" x 10" - Left - Beige Plastic w/Twist Type Lock |
| | 016086-01-000 | EA | Door Asm. - 9" x 10" - Right - Beige Plastic w/Twist Type Lock |
| | 037304-01-000 | EA | Door Asm. - Battery - Beige w/Twist Type Lock |
| | 037804-02-000 | EA | Door Asm. - Luggage - Beige w/Key Type Lock |
| | 037805-01-000 | EA | Door Asm. - L.P. Beige w/Twist Type Lock |
| | 037806-01-000 | EA | Door Asm. - Generator - Beige w/Twist Type Lock |
| | 037807-01-000 | EA | Door Asm. - Refrigerator Access - Beige w/Twist Type Lock |
| | 047305-01-000 | EA | Lock Asm. - Key Type w/Clip |
| | 039584-01-000 | EA | Lock Asm. - Twist Type w/Clip |
| | 003183-03-000 | EA | Door Asm. - Water Heater Access - Off White |

WINDSHIELD

| Key | Part Number | U/M | Description |
|-----|---------------|-----|---|
| | 037455-01-000 | EA | Frame Asm. - Windshield w/o Glass |
| | 034975-02-000 | EA | Glass - Windshield - Left or Right |
| | 036493-01-000 | EA | Trim - Windshield - Right |
| | 036493-02-000 | EA | Trim - Windshield - Left |
| | 034900-01-000 | EA | Cap - Windshield - Top Center - Tea - Black |

**1975 WINNEBAGO
TABLE OF CONTENTS**

| | |
|--------------------|-------------|
| Introduction | A-1 |
| Abbreviations | A-1 |
| Alphabetical Index | A-2 - A-4 |
| D25C | A-5 - B-14 |
| D25CL | B-15 - C-24 |
| D27C | D-1 - E-10 |
| D27CL | E-11 - F-20 |
| D25CURS | F-21 - H-5 |
| D27CU | H-7 - I-18 |
| D27CUL | I-19 - K-6 |
| D25CU | K-7 - L-16 |

1975 D25CU INDEX

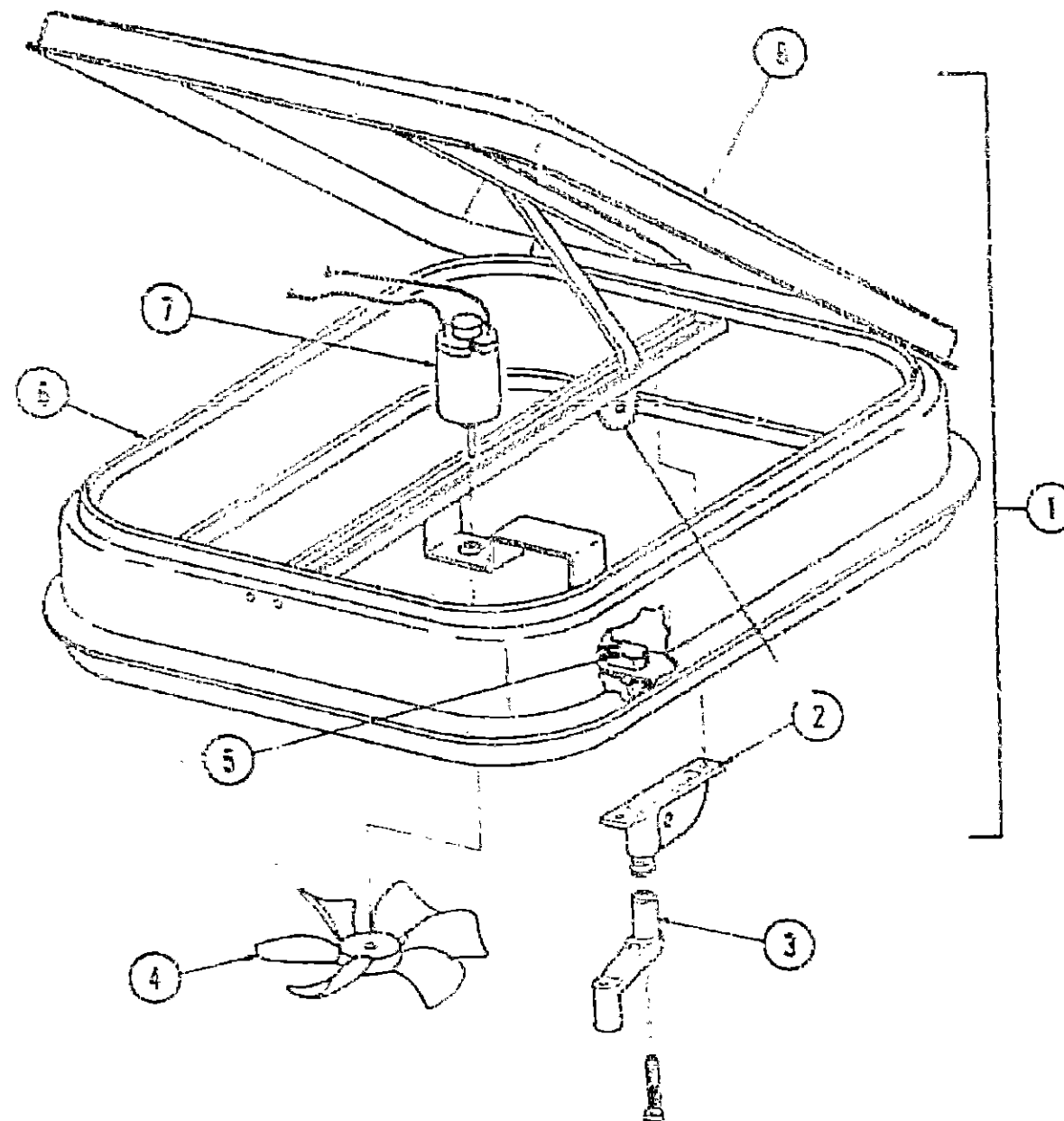
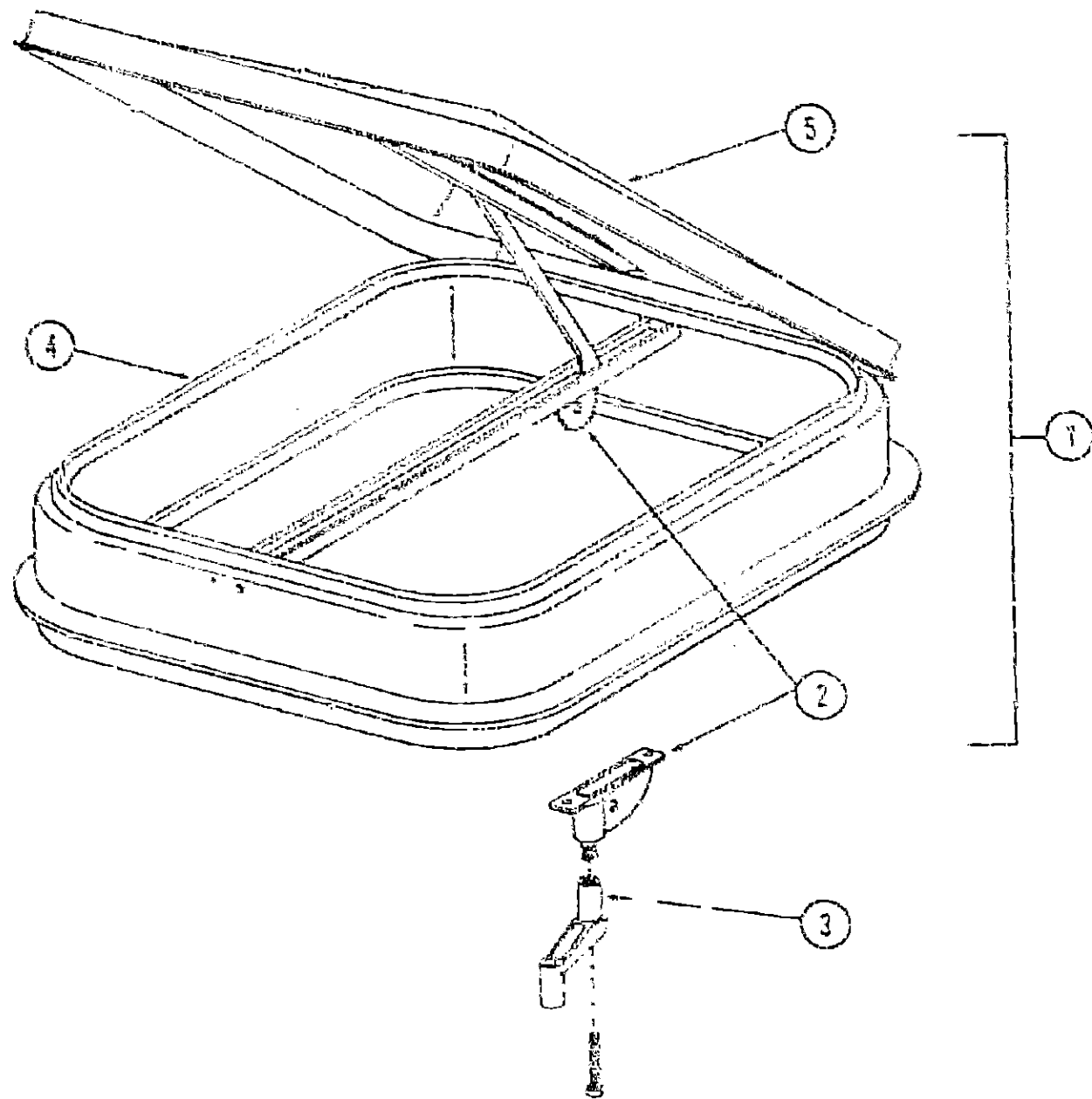
| | |
|------------------------------------|-------------|
| Floor Plan | K-7 - K-9 |
| Accessories Group | K-9 - K-10 |
| Bath Group | K-11 |
| Chassis Group | K-11 - K-12 |
| Curtain, Cushion & Pad Group | K-13 - K-15 |
| Dinette Group | K-16 |
| Driver's Compartment Group | K-16 - K-17 |
| Electrical Group | K-18 - K-19 |
| Exterior Body Group | K-20 - K-23 |
| Galley Group | K-24 |
| Heating & Air Conditioning Group | L-1 |
| Interior Finish Group | L-2 - L-3 |
| LP Group | L-4 |
| Lounge Group | L-4 |
| Water & Sewage Group | L-5 |
| Window, Vent & Exterior Door Group | L-6 - L-16 |

| Key | Part Number | U/M | Description |
|-----|---------------|-----|--|
| 1 | 048530-05-000 | EA | Window Asm. - Double Slider - 25" x 65" - Black Anod. - w/Plastic Latch - w/Inside Frame |
| 2 | 047822-01-000 | EA | Glass - 3/16" x 24" x 21" 026" - Sliding w/Holes (Used w/Plastic Latch) |
| | 032127-02-000 | EA | Glass - 3/16" x 24" x 21" 028" - Sliding w/Holes (Used w/Aluminum Latch) |
| 3 | 042077-01-000 | FT | Channel - Weatherstrip - Glass Run - 3/16" Glass |
| 4 | 004363-01-000 | FT | Tape - Foam - 3/16" x 1/2" - Gray |
| 5 | 041982-01-000 | FT | Seal - Window Channel - 3/16" - Used with Plastic Latch |
| | 002283-02-000 | FT | Seal - Window Channel - 3/16" - Used w/Aluminum Latch |
| 6 | 050216-02-000 | FT | Spline - Glass - 3/16" - Black |
| 7 | 002389-03-203 | EA | Holder - Glass Seal - Black Anod. |
| 8 | 041894-04-000 | EA | Mullion - Slider Window - 25" - Used w/Plastic Latch |
| | 016014-05-000 | EA | Mullion - Slider Window - Used w/Aluminum Latch |
| 9 | 002126-02-000 | EA | Glass - 3/16" x 24" x 25" - Stationary |
| 10 | 047359-01-700 | EA | Latch Asm. - Window - Plastic w/Fastener |
| | 023275-01-000 | EA | Latch Asm. - Window - Aluminum |
| * | 041839-01-000 | FT | Tape - Foam - Aluminum Window Latch |
| * | 002298-01-000 | FT | Spline - Screen - 130" Dia. - Gray |
| * | 002293-01-000 | SF | Screen - Window - 25" - Gray |
| " | 023713-02-000 | EA | Cover - Weephole - Black Plastic |
| * | 042133-04-000 | EA | Frame - Window - Inside - 25" x 65" - Used w/Plastic Latch |
| * | 035277-04-000 | EA | Frame - Window - Inside - 25" x 65" - Used w/Aluminum Latch |

* Not Illustrated

WINDOW, VENT AND EXTERIOR DOOR GROUP (CONTINUED)

WINDOW, VENT AND EXTERIOR DOOR GROUP (CONTINUED)



| Key | Part Number | U/M | Description |
|-----|-----------------|-----|--|
| 1 | 045335-01-000 | EA | Vent Asm. - Roof - Nonpowered - w/o Screen |
| 2 | 009440-01-000 | EA | Gear - Arm - Roof Vent |
| 3 | 009439-01-000 | EA | Crank - Roof Vent |
| 4 | 002825-01-000 | FT | Weatherstrip - Roof Vent |
| 5 | 045325-01-000 | EA | Cover - Plastic - Roof Vent |
| - | 016335-01-000 | EA | Screen Asm. - Nonpowered Roof Vent - Clear Anod (not included in assembly) |
| - | 016335-03-000 | EA | Screen Asm. - Nonpowered Roof Vent - Beige (not included in assembly) |
| - | Not Illustrated | | |

| Key | Part Number | U/M | Description |
|-----|-----------------|-----|---|
| 1 | 048789-01-000 | EA | Vent Asm. - Roof - Powered - w/o Screen |
| 2 | 009440-01-000 | EA | Gear - Arm - Roof Vent |
| 3 | 009439-01-000 | EA | Crank - Roof Vent |
| 4 | 045649-01-000 | EA | Fan - Blade - 6" - Plastic |
| - | 009442-01-000 | EA | Fan - Blade - Alum. |
| 5 | 008195-01-000 | EA | Switch - Push Button - 12 Volt |
| 6 | 002825-01-000 | FT | Weatherstrip - Roof Vent |
| 7 | 048648-01-000 | EA | Motor - 12 Volt (Vent w/Plastic Fan) |
| - | 009441-01-000 | EA | Motor - 12 Volt (Vent w/Alum. Fan) |
| 8 | 045925-01-000 | EA | Cover - Plastic - Roof Vent (Vent w/Plastic Fan) |
| - | 016336-01-000 | EA | Cover - Plastic - Roof Vent (Vent w/Alum. Fan) |
| - | 045695-01-000 | EA | Screen Asm. - Powered Roof Vent - Clear Anod (Vent w/Plastic Fan) (not included in assembly) |
| - | 016337-01-000 | EA | Screen Asm. - Powered Roof Vent - Clear Anod - (Vent w/ Alum. Fan) (not included in assembly) |
| - | Not Illustrated | | |

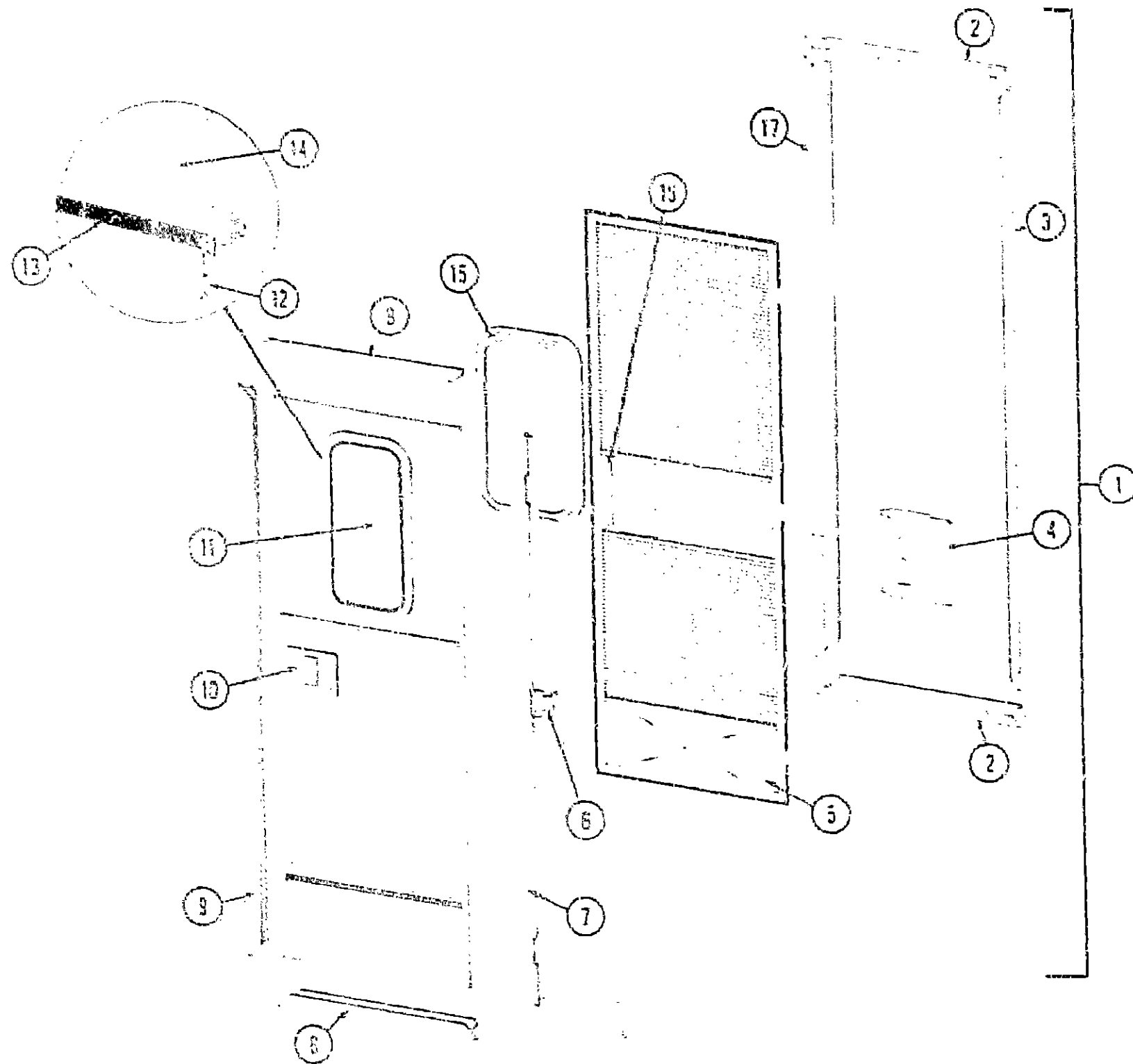
1975 WINNEBAGO
TABLE OF CONTENTS

| | |
|--------------------|-------------|
| Introduction | A-1 |
| Abbreviations | A-1 |
| Alphabetical Index | A-2 - A-4 |
| D25C | A-5 - B-14 |
| D25CL | B-15 - C-24 |
| D27C | D-1 - E-10 |
| D27CL | E-11 - F-20 |
| D29CURB | F-21 - H-6 |
| D27CU | H-7 - I-18 |
| D27CUL | I-19 - K-6 |
| D25CU | K-7 - L-16 |

1975 D25CU INDEX

| | |
|------------------------------------|-------------|
| Floor Plan | K-7 - K-8 |
| Accessories Group | K-9 - K-10 |
| Bath Group | K-11 |
| Chassis Group | K-12 - K-12 |
| Curtain, Cushion & Pad Group | K-13 - K-15 |
| Dinette Group | K-16 |
| Driver's Compartment Group | K-16 - K-17 |
| Electrical Group | K-18 - K-19 |
| Exterior Body Group | K-20 - K-23 |
| Galley Group | K-24 |
| Heating & Air Conditioning Group | L-1 |
| Interior Finish Group | L-2 - L-3 |
| LP Group | L-4 |
| Lounge Group | L-4 |
| Water & Sewage Group | L-5 |
| Window, Vent & Exterior Door Group | L-6 - L-16 |

WINDOW, VENT AND EXTERIOR DOOR GROUP (CONTINUED)



1975 WINNEBAGO
TABLE OF CONTENTS

| | |
|--------------------|-------------|
| Introduction | A-1 |
| Abbreviations | A-1 |
| Alphabetical Index | A-2 - A-4 |
| D25C | A-5 - B-14 |
| D25CL | B-15 - C-24 |
| D27C | D-1 - E-10 |
| D27CL | E-11 - F-20 |
| D29CURB | F-21 - H-6 |
| D27CU | H-7 - I-18 |
| D27CUL | I-19 - X-8 |
| D25CU | K-7 - L-16 |

1975 D25CU INDEX

| | |
|------------------------------------|-------------|
| Floor Plan | K-7 - K-8 |
| Accessories Group | K-9 - K-10 |
| Bath Group | K-11 |
| Crossie Group | K-11 - K-12 |
| Curtain, Cushion & Pad Group | K-13 - K-15 |
| Dinette Group | K-16 |
| Driver's Compartment Group | K-16 - K-17 |
| Electrical Group | K-18 - K-19 |
| Exterior Body Group | K-20 - K-23 |
| Galley Group | K-24 |
| Heating & Air Conditioning Group | L-1 |
| Interior Finish Group | L-2 - L-3 |
| LP Group | L-4 |
| Lounge Group | L-4 |
| Water & Sewage Group | L-5 |
| Window, Vent & Exterior Door Group | L-6 - L-16 |

| Key | Part Number | U/M | Description |
|-----|---------------|-----|--------------------------------------|
| 1 | 031175-05-000 | EA | Door Asm - Entry - Custom |
| 2 | 023013-02-000 | EA | Jamb - Entry door - Upper and Lower |
| 3 | 023012-02-000 | EA | Jamb - Entry Door - Right |
| 4 | 015580-01-000 | EA | Slider - Screen Door - Plastic |
| 5 | 016574-01-000 | EA | Door Asm. - Screen |
| 6 | 024559-01-000 | EA | Hinge - Entry Door - Screen Door |
| 7 | 036583-01-000 | EA | Frame - Entry Door - Right |
| 8 | 017375-02-000 | EA | Frame - Entry Door - Upper and Lower |
| 9 | 031185-02-000 | EA | Frame - Entry Door - Left |
| 10 | 024094-01-000 | EA | Latch - Entry Door - Hartwell |

| Key | Part Number | U/M | Description |
|-----|---------------|-----|--------------------------------------|
| 11 | 041875-04-000 | EA | Window - Asm. - Picture - 13" x 25" |
| 12 | 004353-01-000 | FT | Tape - Foam - 3/16" x 1/2" - Gray |
| 13 | 002309-02-000 | FT | Spline - Glass - 1/8" - Black |
| 14 | 002181-02-000 | EA | Glass - 2/16" x 12" x 24" - Gray |
| 15 | 041695-04-000 | EA | Frame Window - Inside - 13" x 25" |
| | 017753-03-000 | EA | Frame Window - Inside - 13" x 25" |
| | | | Not Included w/Window Asm. - Z Style |
| | | | Not Included w/Window Asm. - T Style |
| 16 | 015581-01-000 | EA | Cap - Screen Door - Plastic |
| 17 | 023011-02-000 | EA | Jamb - Entry Door - Left |