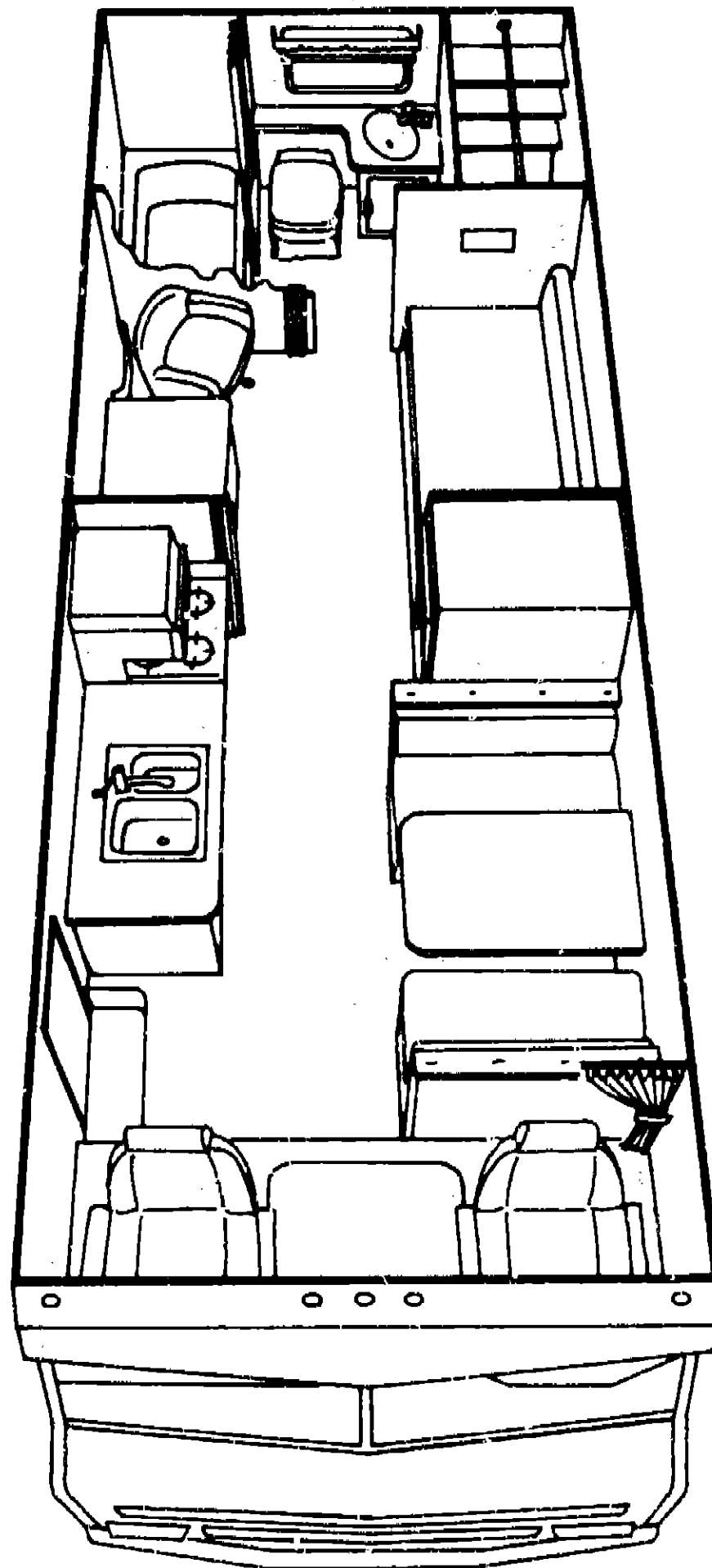


1975 D25CL



1975 WINNEBAGO TABLE OF CONTENTS

Introduction	A-1
Abbreviations	A-1
Alphabetical Index	A-2 - A-4
D25C	A-5 - B-14
D25CL	B-15 - C-24
D27C	D-1 - E-10
D27CL	E-11 - F-20
D29CURB	F-21-H-6
D27CU	H-7 - I-18
D27CUL	I-19 - K-6
D25CU	K-7 - L-16

1975 D25CL INDEX

Floor Plan	B-15 - B-16
Accessories Group	B-17 - B-18
Bath Group	B-19
Chassis Group	B-19 - B-20
Curtain, Cushion & Pad Group	B-21 - B-24
Dinette Group	C-1
Driver's Compartment Group	C-1 - C-2
Electrical Group	C-3 - C-4
Exterior Body Group	C-5 - C-8
Galley Group	C-9
Heating & Air Conditioning Group	C-10
Interior Finish Group	C-11 - C-12
LP Group	C-13
Lounge Group	C-13
Water & Sewage Group	C-14
Window, Vent & Exterior Door Group	C-15 - C-24

ACCESSORIES GROUP

RADIOS AND RELATED COMPONENTS

Key	Part Number	U/M	Description
	031105-01-000	EA	Antenna - Radio - Side Mount
	031105-01-700	EA	Clip - Retaining - Side Mount Antenna
	039879-01-000	EA	Kit - Radio Speaker - 5 1/4" w/Cover
	049730-01-000	EA	Radio - AM w/Fader - Clarion
	049731-01-000	EA	Radio - Am/FM/MPX - w/Fader - Clarion
	049732-01-000	EA	Radio - AM/FM/MPX - 8 Track - w/Fader - Clarion
	048146-01-000	EA	Radio - CB Messenger 123-A - Johnson
	048153-01-000	EA	Antenna - CB - Camper-Style

SPEED CONTROL AND COMPONENTS

Key	Part Number	U/M	Description
	024746-01-000	EA	Speed Control Package - 440 C.I.D. - Dodge - Lever Type - A-Body
	007255-01-000	EA	Regulator Asm.
	024746-01-701	EA	Servo Asm.
	024746-01-702	EA	Switch - Engage Lever
	007255-01-703	EA	Cable Asm. - Transmission - 42"
	007255-01-704	EA	Switch Asm. - Decelerate
	024746-01-700	EA	Relay - Speed Control

GENERATORS AND INSTALLATION KITS

Key	Part Number	U/M	Description
	007061-01-000	EA	Generator - Onan - 4000 Watt - CCK w/Mounting Bolts and Rubber Feet
	007058-01-000	EA	Generator - Onan - 5000 Watt - CCK w/Mounting Bolts and Rubber Feet
	039237-01-000	EA	Kit - 4000, 5000 Onan Installation w/o Bolt Package and Rubber Feet
	007290-01-000	EA	Tailpipe - Generator Exhaust - 1.62" x 17"
	024732-01-000	EA	Steel Tubing - 1.5" O.D. - 18 Gauge - 34"
	007292-01-000	EA	Muffler - Generator
	007131-01-000	EA	Hanger - Tailpipe
	007125-01-000	EA	Clamp Asm. - Muffler - 1.62" Dia.
	007125-03-000	EA	Clamp Asm. - Muffler - 1.50" Dia.
	042865-01-000	EA	Scoop - Generator Air
	007067-01-000	SF	Insulation - Fiberglass - 1"
	007059-02-000	EA	Bolt Package
	007059-03-000	EA	Foot - Rubber - Generator Mounting
	031035-01-000	EA	Gauge - Hourmeter
	024976-01-000	EA	Switch - Generator - w/o Circuit Board
	045226-01-000	EA	Tray - Sliding - Generator

ACCESSORIES GROUP (CONTINUED)

FRONT BUNK, CABINET AND HARDWARE

Key	Part Number	U/M	Description
	031471-03-700	EA	Cabinet - Glide-Away - Overhead
	031471-03-701	EA	Door - Sliding - Glide-Away - Front Overhead
	009148-01-000	EA	Fingerpull
	009785-01-000	FT	Track - Sliding Door - Upper - Dark Brown Plastic
	009786-01-000	FT	Track - Sliding Door - Lower - Dark Brown Plastic
	048392-01-000	EA	Bunk - Front - Overhead (Board w/Rails)
	023812-01-000	EA	Rail - Bunk - Brown - 84.50
	042988-01-000	EA	Support Asm. - Left & Right - Overhead Bunk
	017641-01-000	EA	Stabilizer Asm. - Bunk
	038986-01-000	EA	Strap - Hold-Up - Front Bunk
	040071-01-000	EA	Support - Bunk - Overhead Seat Belt
	022540-01-000	EA	Support - Asm. - Bunk Strap - 20"
	006076-01-000	EA	Ladder - Bunk - 36" - Aluminum

MISCELLANEOUS ACCESSORIES

Key	Part Number	U/M	Description
	044148-01-000	EA	TV - Color - 13" - Sharp
	006093-01-000	EA	Jack - TV - Brown
	006053-01-000	EA	Antenna - TV - Braun Delux
	031450-01-000	EA	Vacuum - Wall Mount w/Attachments
	700108-02-000	EA	Vacuum - Bags (used with 031450-01-000)
	036420-01-000	EA	Fan - Defroster
	041944-01-000	EA	Fire Extinguisher
	007035-01-000	EA	Ladder Asm. - w/Luggage Rack - Square
	007035-02-000	EA	Rack - Pads, Caps, Blocks F/Square
	007035-03-000	EA	Ladder Asm. - Square
	040899-01-000	EA	Ladder Asm. - w/Luggage Rack - Round
	040899-02-000	EA	Ladder Asm. - Round
	007017-01-000	EA	Mat - Floor - Black Rubber
	007038-01-000	EA	Mat - Floor - Black Rubber - 10 1/2" x 26"
	023766-01-000	EA	Mud Flap
	034410-01-000	EA	Cover - Tire - 34" White - Brown - "W"
	009011-01-000	EA	Lock - Dead Bolt - 2 3/4"
	022534-01-000	EA	Guard Asm. - Bumper - Front - Right
	022535-01-000	EA	Guard Asm. - Bumper - Front - Left
	007268-01-000	EA	Guard - Bumper - Chrome (Rear)
	006113-01-000	EA	Jack - Hydraulic - 5 Ton
	006091-01-000	EA	Tray - Cutlery - Gold
	006060-01-000	EA	Purification System - Everpure
	006060-02-000	EA	Cartridge - Replacement
	022400-01-000	EA	Mirror - Outside - w/Convex - Stainless Steel
	700023-04-000	EA	Mirror - Convex - 6" x 4"

1975 WINNEBAGO TABLE OF CONTENTS

Introduction	A-1
Abbreviations	A-1
Alphabetical Index	A-2 - A-4
D25C	A-5 - B-14
D25CL	B-15 - C-24
D27C	D-1 - E-10
D27CL	E-11 - F-20
D29CURB	F-21 - H-6
D27CU	H-7 - I-18
D27CUL	I-19 - K-6
D25CU	K-7 - L-16

1975 D25CL INDEX

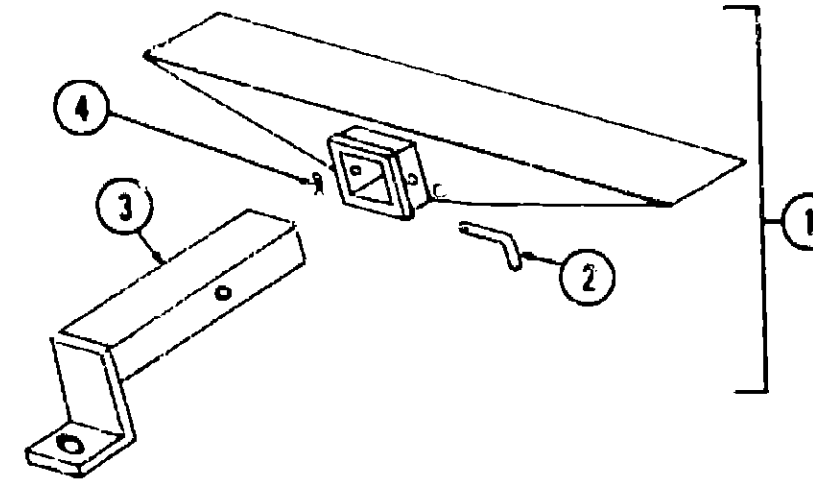
Floor Plan	B-15 - B-16
Accessories Group	B-17 - B-18
Bath Group	B-19
Chassis Group	B-19 - B-20
Curtain, Cushion & Pad Group	B-21 - B-24
Dinette Group	C-1
Driver's Compartment Group	C-1 - C-2
Electrical Group	C-3 - C-4
Exterior Body Group	C-5 - C-8
Galley Group	C-9
Heating & Air Conditioning Group	C-10
Interior Finish Group	C-11 - C-12
LP Group	C-13
Lounge Group	C-13
Water & Sewage Group	C-14
Window, Vent & Exterior Door Group	C-15 - C-24

BATH GROUP

Key	Part Number	U/M	Description
	033796-01-000	EA	Bathtub - White - Plastic
	031558-01-000	EA	Faucet - 4" - Tub and Shower
	037581-01-000	EA	Backflow Preventor
	011060-01-000	EA	Showerhead - w/40" Hose
	011069-01-000	EA	Tailpiece - Drain - 1 1/4" x 4" - Brass
	011066-01-000	EA	Strainer - Drain - Shower Pan
	011028-01-000	EA	Lavatory - Sink - Oval - Stainless Steel
	006098-01-000	EA	Mirror - 1/8" x 9" x 16" - Beveled
	009089-01-000	EA	Clip - Mirror - Plastic - w/Screw
	009133-02-000	EA	Bar - Towel - Rack - 18" - Plastic
	023449-01-000	EA	Support - Towel Rack - Chrome (2 used per bar)
	009134-01-000	EA	Holder - Tissue
	045730-01-000	EA	Curtain - Shower - White
	038472-01-000	EA	Track - Curtain - Shower
	009136-01-000	EA	Pin - Shower - Curtain
	031563-01-000	EA	Door - Folding - 27 1/2" x 77 3/8" Opening - 150 Cherry
	009779-01-000	FT	U-Channel - 1 1/8" Dark Brown - Plastic
	031058-01-700	EA	Cabinet - Medicine
	031058-01-701	EA	Door - Medicine Cabinet - 12 1/8" x 36" - w/o Hardware
	045700-01-000	EA	Mirror - 1/8" x 9" x 25"
	031090-04-700	EA	Cabinet - Lavatory - w/o Top and Door
	031090-04-701	EA	Door - Lavatory - w/o Hardware - 12.5" x 29 3/4"
**	033327-01-000	EA	Toilet - Electra Magic w/o Seat and Lid
**	039341-01-000	EA	Toilet - Aqua Magic Model SH - White - w/o Seat and Lid

** The illustrated parts breakdown for this item is provided on the Common Items Fiche.

CHASSIS GROUP (CONTINUED)



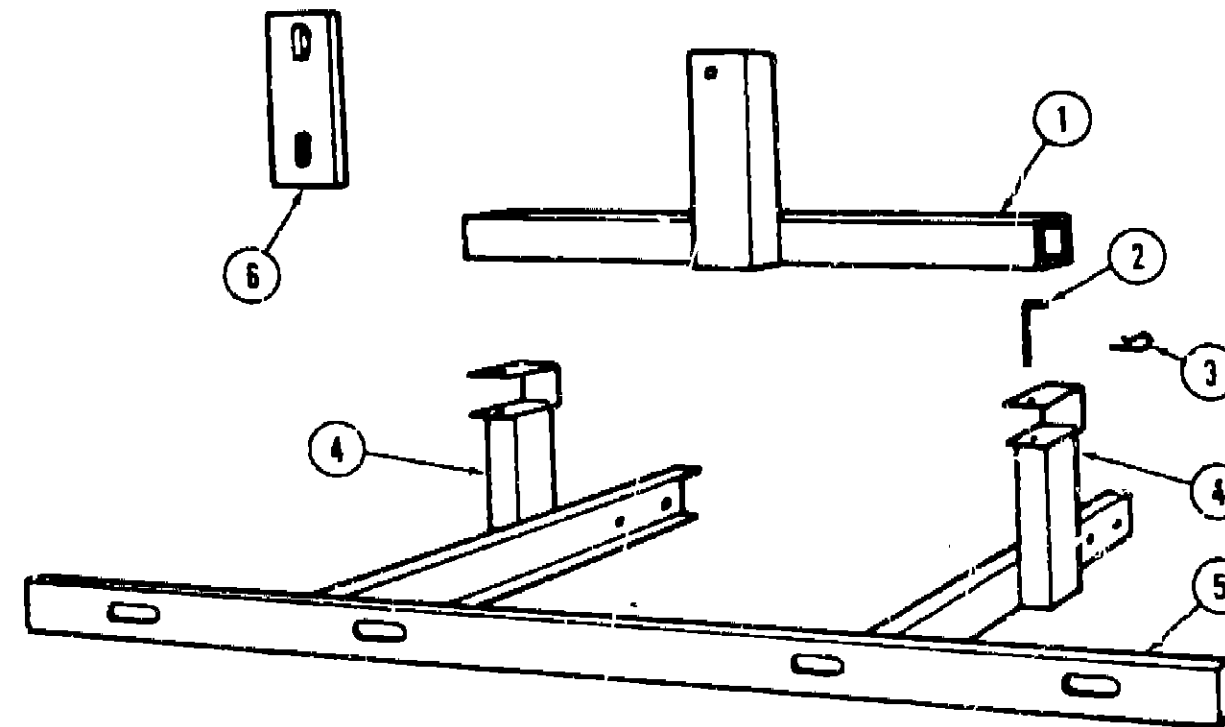
Key	Part Number	U/M	Description
1	023695-01-700	EA	Hitch Kit - w/o Drawbar
2	034512-01-000	EA	Pin - Locking - Drawbar
3	024875-01-000	EA	Drawbar Asm. - Trailer Hitch
4	034513-01-000	EA	Pin - Hitch - 3/16" Wire

1975 WINNEBAGO TABLE OF CONTENTS

Introduction	A-1
Abbreviations	A-1
Alphabetical Index	A-2 - A-4
D25C	A-5 - B-14
D25CL	B-15 - C-24
D27C	D-1 - E-10
D27CL	E-11 - F-20
D29CURE	F-21 - H-6
D27CU	H-7 - I-16
D27CUL	I-19 - K-6
D25CU	K-7 - L-16

CHASSIS GROUP

Key	Part Number	U/M	Description
	007263-01-000	EA	Bumper - Center Section - Front - Chrome
	007265-01-000	EA	Bumper - Outer Sections - Front - Chrome
	023496-01-000	EA	Bracket - Bumper - Front
	023520-04-000	EA	Bar - Bumper - Black - Right or Left
	022534-01-000	EA	Guard Asm. - Front Bumper - Right
	022535-01-000	EA	Guard Asm. - Front Bumper - Left
	021598-01-000	EA	Bumper - Center Section - Rear - Chrome
	007265-01-000	EA	Bumper - Outer Sections - Rear - Chrome
	022531-01-000	EA	Bumper - Slotted Rear - Reinforcement
	007268-01-000	EA	Guard - Bumper - Chrome - Rear
	014909-01-000	EA	Shroud - Fuel Fill - Double - Black - Plastic
	015253-01-000	EA	LP Compartment - 40 lb. - Black Plastic
	013362-01-000	EA	Compartment - Power Cord - Black Plastic
	023770-01-000	EA	Wheel Well - Plastic
	038459-01-000	EA	Tank - Auxiliary Fuel - 22.9 Gallon
	038460-01-000	EA	Sending Unit - Fuel - 78 Ohm
	024611-02-000	EA	Cap - Gas - Pressure - 1.50 - Chrome
	024591-02-000	EA	Fill - Gas - w/Vent - 4.5"
	024138-01-000	FT	Hose - Fuel - 5/16" I.D.
	007111-01-000	FT	Hose - Fuel - 2 1/4" I.D.
	007249-01-000	EA	Tailpipe - Curved - 2 1/2" x 58"
	007269-01-000	EA	Bracket - License
	033386-02-029	EA	Tie Down - Battery - Steel
	020275-01-000	EA	Bracket - Tie Down - Short Battery Box
	021276-01-000	EA	Tray - Battery - Steel
	022870-01-000	EA	Support - Roll Bar
	019193-01-000	EA	Cover Asm. - Radiator
	017740-01-000	EA	Hood Board - Steel - Front - Left
	017201-01-000	EA	Hood Board - Steel - Front - Right



Key	Part Number	U/M	Description
1	016924-01-000	EA	Mounting Asm. - Tube - Tire Carrier
2	005522-01-000	EA	Pin - Hitch - 5/32" Wire
3	015365-01-000	EA	Pin - Tire Carrier
4	021616-02-000	EA	Bracket - Tire Carrier - Left
4	021616-03-000	EA	Bracket - Tire Carrier - Right
5	046043-05-000	EA	Bracket Asm. - Bumper
6	040974-02-000	EA	Retaining Bar - Spare Tire

1975 D25CL INDEX

Floor Plan	B-15 - B-16
Accessories Group	B-17 - B-15
Bath Group	B-19
Chassis Group	B-19 - B-20
Curtain, Cushion & Pad Group	B-21 - B-24
Dinette Group	C-1
Driver's Compartment Group	C-1 - C-2
Electrical Group	C-3 - C-4
Exterior Body Group	C-5 - C-8
Galley Group	C-9
Heating & Air Conditioning Group	C-10
Interior Finish Group	C-11 - C-12
LP Group	C-13
Lounge Group	C-13
Water & Sewage Group	C-14
Window, Vent & Exterior Door Group	C-15 - C-24

CURTAIN, CUSHION AND PAD GROUP

CURTAINS

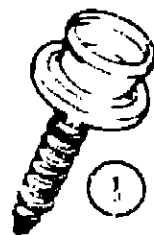
Key	Part Number	U/M	Description
	041143-53-000	EA	Curtain - Right Overdrape - 25" x 45" - Green
	041143-54-000	EA	Curtain - Right Overdrape - 25" x 45" - Gold
	041143-55-000	EA	Curtain - Right Overdrape - 25" x 45" - Brown
	041144-53-000	EA	Curtain - Left Overdrape - 25" x 45" - Green
	041144-54-000	EA	Curtain - Left Overdrape - 25" x 45" - Gold
	041144-55-000	EA	Curtain - Left Overdrape - 25" x 45" - Brown
	040406-02-000	EA	Curtain - Underdrape - 25" x 45" - Ivory
	040406-24-000	EA	Curtain - Underdrape - 26 1/2" x 45" - Ivory
	041243-03-000	EA	Curtain - Wraparound - 30" x 104" - Brown - Right
	041243-04-000	EA	Curtain - Wraparound - 30" x 104" - Green - Right
	041243-05-000	EA	Curtain - Wraparound - 30" x 104" - Gold - Right
	041244-03-000	EA	Curtain - Wraparound - 30" x 104" - Brown - Left
	041244-04-000	EA	Curtain - Wraparound - 30" x 104" - Green - Left
	041244-05-000	EA	Curtain - Wraparound - 30" x 104" - Gold - Left
	033315-34-000	EA	Curtain - Privacy - 36" x 72" - Brown
	033315-35-000	EA	Curtain - Privacy - 36" x 72" - Green
	033315-36-000	EA	Curtain - Privacy - 36" x 72" - Gold
	033311-07-000	EA	Curtain - Blackout - 58" x 96" - Oxen Tan

CURTAIN TIE BACKS

Key	Part Number	U/M	Description
	031843-08-000	EA	Tie Back - 18" - Oxen
	031843-26-000	EA	Tie Back - 18" - Green
	031843-27-000	EA	Tie Back - 18" - Gold
	031843-28-000	EA	Tie Back - 18" - Brown

CURTAIN HARDWARE

Key	Part Number	U/M	Description
	052327-04-236	EA	Track - Curtain - Aluminum - 89" - Brown (Replaces 009108-01-000 Marine Track)
	009107-01-000	EA	Carrier - Snap - Curtain
	009701-01-000	EA	Carrier w/Rollers - Curtain - L-Rod
	009702-01-000	EA	End Stop - Curtain Track - Used with (018031-42-000)
	029100-01-000	EA	Hook - Privacy Curtain
	009136-01-000	EA	Hook - Shower Curtain
	020438-01-000	EA	Track - Wrap Around Curtain - Left
	021495-01-000	EA	Track - Wrap Around Curtain - Right
	018031-42-000	EA	Track - Curtain - L Rod - 90" Aluminum
	037872-01-000	EA	Rod - Curtain - Double-Flat - Extends 48" - 64"
	038782-01-000	EA	Rod - Curtain - Double-Flat - Extends 28" - 48"



Key	Part Number	U/M	Description
1	029130-01-000	EA	Socket - Snap Fastener - 7" x 5/8" (Tie Backs)
2	029155-01-000	EA	Cap - Snap - 1 5/8 Dia. x .17" Barrel (Tie Backs)
3	029155-01-000	EA	Socket - Snap Fastener (Tie Backs)
4	029092-01-000	EA	Stud - Nickel Finish
5	029093-01-000	EA	Eyelet - Nickel Finish

CURTAIN, CUSHION AND PAD GROUP (CONTINUED)

VALANCES AND SHADES

Key	Part Number	U/M	Description
	038328-13-000	EA	Valance - 6" x 76" - Green
	038328-14-000	EA	Valance - 6" x 76" - Gold
	038328-15-000	EA	Valance - 6" x 76" - Brown
	038328-16-000	EA	Valance - 6" x 50" - Green
	038328-17-000	EA	Valance - 6" x 50" - Gold
	038328-18-000	EA	Valance - 6" x 50" - Brown
	031816-01-000	EA	Shade - Roll Up - 27" x 38" Long - Off White - Entry Doo.
	031816-05-000	EA	Shade - Roll Up - 31.62" x 30" Long - Off White - Galley

DINETTE CUSHIONS - BOY STYLE

Key	Part Number	U/M	Description
	031505-37-000	EA	Cushion - Back - 14 1/4" x 38" x 5" - Green
	031505-38-000	EA	Cushion - Back - 14 1/4" x 38" x 5" - Gold
	031505-39-000	EA	Cushion - Back - 14 1/4" x 38" x 5" - Brown
	031505-37-037	EA	Cover - Cushion Back - 14 1/4" x 38" x 5" - Green
	031505-38-038	EA	Cover - Cushion Back - 14 1/4" x 38" x 5" - Gold
	031505-39-039	EA	Cover - Cushion Back - 14 1/4" x 38" x 5" - Brown
	031505-40-000	EA	Cushion - Bottom - 21 3/4" x 38" x 5" - Green
	031505-41-000	EA	Cushion - Bottom - 21 3/4" x 38" x 5" - Gold
	031505-42-000	EA	Cushion - Bottom - 21 3/4" x 38" x 5" - Brown
	031505-40-040	EA	Cover - Cushion - Bottom - 21 3/4" x 38" x 5" - Green
	031505-41-041	EA	Cover - Cushion - Bottom - 21 3/4" x 38" x 5" - Gold
	031505-42-042	EA	Cover - Cushion - Bottom - 21 3/4" x 38" x 5" - Brown

DINETTE CUSHIONS - WRAP AROUND STYLE

Key	Part Number	U/M	Description
	039931-09-000	EA	Cushion - Bottom - 21 3/4" x 38" x 5" - Green
	039931-10-000	EA	Cushion - Bottom - 21 3/4" x 38" x 5" - Gold
	039931-11-000	EA	Cushion - Bottom - 21 3/4" x 38" x 5" - Brown
	039931-09-009	EA	Cover - Cushion - Bottom - 21 3/4" x 38" x 5" - Green
	039931-10-010	EA	Cover - Cushion - Bottom - 21 3/4" x 38" x 5" - Gold
	039931-11-011	EA	Cover - Cushion - Bottom - 21 3/4" x 38" x 5" - Brown
	039931-12-000	EA	Cushion - Back - 14 1/4" x 38" x 5" - Green
	039931-13-000	EA	Cushion - Back - 14 1/4" x 38" x 5" - Gold
	039931-14-000	EA	Cushion - Back - 14 1/4" x 38" x 5" - Brown
	039931-12-012	EA	Cover - Cushion - Back - 14 1/4" x 38" x 5" - Green
	039931-13-013	EA	Cover - Cushion - Back - 14 1/4" x 38" x 5" - Gold
	039931-14-014	EA	Cover - Cushion - Back - 14 1/4" x 38" x 5" - Brown

LOUNGE CUSHIONS

Key	Part Number	U/M	Description
	031515-08-000	EA	Seng Bed Assembly - 76" - Green
	031515-09-000	EA	Seng Bed Assembly - 76" - Gold
	031515-10-000	EA	Seng Bed Assembly - 76" - Brown
	031515-08-001	EA	Seng Bed - Back - 76" - Green
	031515-09-001	EA	Seng Bed - Back - 76" - Gold
	031515-10-001	EA	Seng Bed - Back - 76" - Brown
	031515-08-002	EA	Seng Bed - Bottom - 76" - Green
	031515-09-002	EA	Seng Bed - Bottom - 76" - Gold
	031515-10-002	EA	Seng Bed - Bottom - 76" - Brown
	038779-01-000	EA	Seng Bed Bottom - Skirt - 76" - Green
	038779-02-000	EA	Seng Bed Bottom - Skirt - 76" - Gold
	038779-03-000	EA	Seng Bed Bottom - Skirt - 76" - Brown

**1975 WINNEBAGO
TABLE OF CONTENTS**

Introduction	A-1
Abbreviations	A-1
Alphabetical Index	A-2 - A-4
D25C	A-5 - B-14
D25CL	B-15 - C-24
D27C	D-1 - E-10
D27CL	E-11 - F-20
D29CURB	F-21 - H-6
D27CU	H-7 - I-18
D27CUL	I-19 - K-6
D25CU	K-7 - L-16

1975 D25CL INDEX

Floor Plan	B-15 - B-16
Accessories Group	B-17 - B-19
Bath Group	B-19
Chassis Group	B-19 - B-20
Curtain, Cushion & Pad Group	B-21 - B-24
Dinette Group	C-1
Driver's Compartment Group	C-1 - C-2
Electrical Group	C-3 - C-4
Exterior Body Group	C-5 - C-8
Galley Group	C-9
Heating & Air Conditioning Group	C-10
Interior Finish Group	C-11 - C-12
LP Group	C-13
Lounge Group	C-13
Water & Sewage Group	C-14
Window, Vent & Exterior Door Group	C-15 - C-24

CURTAIN, CUSHION AND PAD GROUP (CONTINUED)

BUNK MATTRESSES

Key	Part Number	U/M	Description
	031503-17-000	EA	Mattress - 42" x 81 1/4" x 4" - Green - Flexsteel
	031503-18-000	EA	Mattress - 42" x 81 1/4" x 4" - Gold - Flexsteel
	031503-19-000	EA	Mattress - 42" x 81 1/4" x 4" - Brown - Flexsteel
	031511-10-000	EA	Mattress - 29" x 75" x 2" - Ticking - 2 Fold
	031512-01-000	EA	Mattress - 41" x 89" x 2" - Ticking - 3 Fold

BUCKET SEATS

Key	Part Number	U/M	Description
	033897-04-000	EA	Seat Assembly - Single w/Skirt - Green - w/o Slides, Armrest or Headrest
	033897-05-000	EA	Seat Assembly - Single w/Skirt - Gold - w/o Slides, Armrest or Headrest
	033897-06-000	EA	Seat Assembly - Single w/Skirt - Brown - w/o Slides, Armrest or Headrest
	033975-04-000	EA	Cover - Single Seat Back - Green
	033975-05-000	EA	Cover - Single Seat Back - Gold
	033975-06-000	EA	Cover - Single Seat Back - Brown
	033977-04-000	EA	Cover - Single Seat Bottom - Green
	033977-05-000	EA	Cover - Single Seat Bottom - Gold
	033977-06-000	EA	Cover - Single Seat Bottom - Brown
	038645-01-000	EA	Skirt - Single Seat - Green
	038645-02-000	EA	Skirt - Single Seat - Gold
	038645-03-000	EA	Skirt - Single Seat - Brown
	033902-04-000	EA	Seat Assembly - Double w/Skirt - Green - w/o Slides, Armrest or Headrest
	033902-05-000	EA	Seat Assembly - Double w/Skirt - Gold - w/o Slides, Armrest or Headrest
	033902-06-000	EA	Seat Assembly - Double w/Skirt - Brown - w/o Slides, Armrest or Headrest
	033983-04-000	EA	Cover - Double Seat Back - Green
	033983-05-000	EA	Cover - Double Seat Back - Gold
	033983-06-000	EA	Cover - Double Seat Back - Brown
	033984-04-000	EA	Cover - Double Seat Bottom - Green
	033984-05-000	EA	Cover - Double Seat Bottom - Gold
	033984-06-000	EA	Cover - Double Seat Bottom - Brown
	021133-01-000	EA	Protector - Driver Seat - 6" - Brown Plastic

ARMREST AND HEADREST

Key	Part Number	U/M	Description
	033905-02-000	EA	Headrest Asm. - Green
	033905-03-000	EA	Headrest Asm. - Gold
	033905-04-000	EA	Headrest Asm. - Brown
	033903-02-000	EA	Armrest Asm. - Green - Right
	033904-02-000	EA	Armrest Asm. - Green - Left
	033903-03-000	EA	Armrest Asm. - Gold - Right
	033904-03-000	EA	Armrest Asm. - Gold - Left
	033903-04-000	EA	Armrest Asm. - Brown - Right
	033904-04-000	EA	Armrest Asm. - Brown - Left
	029136-01-000	EA	Grommet - Headrest - Brown Nylon
	029038-01-000	EA	Clips - Retaining - Armrest - 3/8"
	029039-01-000	EA	Clips - Retaining - Armrest - 1/2"

CURTAIN, CUSHION AND PAD GROUP (CONTINUED)

PADS

Key	Part Number	U/M	Description
	023486-03-000	EA	Pad Asm. - Dinette Back Frame - 74" - Oxen Tan Vinyl
	023631-02-000	EA	Buttons - 1/2" - Padded w/Nail - Oxen Tan Vinyl
	031672-01-000	EA	Pad Asm. - Dinette Wall - Oxen Tan Vinyl
	038777-01-000	EA	Cover Asm. - Toilet Seat - Green
	024263-04-000	EA	Cover Asm. - Toilet Seat - Gold
	038777-03-000	EA	Cover Asm. - Toilet Seat - Brown
	038778-01-000	EA	Skirt Asm. - Toilet Base - Green
	038778-02-000	EA	Skirt Asm. - Toilet Base - Gold
	038778-03-000	EA	Skirt Asm. - Toilet Base - Brown

FABRICS

Key	Part Number	U/M	Description
	037676-01-000	YD	Fabric - Upholstery - Green
	037676-02-000	YD	Fabric - Upholstery - Gold
	037676-03-000	YD	Fabric - Upholstery - Brown
	037677-01-000	YD	Fabric - Drape - Outer - Green
	037677-02-000	YD	Fabric - Drape - Outer - Gold
	037677-03-000	YD	Fabric - Drape - Outer - Brown
	039174-01-000	YD	Fabric - Drape - Inner - Ivory
	024918-02-000	YD	Vinyl - Non-Perforated - Oxen Tan

**1975 WINNEBAGO
TABLE OF CONTENTS**

Introduction	A-1
Abbreviations	A-1
Alphabetical Index	A-2 - A-4
D25C	A-5 - B-14
D25CL	B-15 - C-24
D27C	D-1 - E-10
D27CL	E-11 - F-20
D29CURB	F-21 - H-6
D27CU	H-7 - I-18
D27CUL	I-19 - K-6
D25CU	K-7 - L-15

1975 D25CL INDEX

Floor Plan	B-15 - B-16
Accessories Group	B-17 - B-18
Bath Group	B-19
Chassis Group	B-19 - B-20
Curtain, Cushion & Pad Group	B-21 - B-24
Dinette Group	C-1
Driver's Compartment Group	C-1 - C-2
Electrical Group	C-3 - C-4
Exterior Body Group	C-5 - C-8
Galley Group	C-9
Heating & Air Conditioning Group	C-10
Interior Finish Group	C-11 - C-12
LP Group	C-13
Lounge Group	C-13
Water & Sewage Group	C-14
Window, Vent & Exterior Door Group	C-15 - C-24

DINETTE GROUP

Key	Part Number	U/M	Description
	031075-01-700	EA	Cabinet - Dinette Seat w/o Door - Left
	031087-01-700	EA	Cabinet - Dinette Seat w/o Door - Right
	031085-01-701	EA	Door - Dinette Seat - 11 3/4" x 18 5" - w/o Hardware - Right or Left
	024274-11-700	EA	Table - Dinette - Butcher Block w/o Hardware - Wall Mount
	047809-01-000	EA	Kit - Hardware - Dinette Table - Wall Mount
	047842-01-000	EA	Kit - Table Leg - Brown
	033818-02-000	EA	Catch - Table Leg - Brown

DRIVER'S COMPARTMENT GROUP

DASH PANEL AND COMPONENTS

Key	Part Number	U/M	Description
	031623-01-000	EA	Dash Asm. - Cheftain - Complete w/Gauges and Switches
	022548-02-000	EA	Pad - Dash - Foam - Right - Oxen Tan
	023242-02-000	EA	Pad - Dash - Foam - Left - Oxen Tan
	022219-01-000	EA	Door - Glove Compartment
	009118-01-000	EA	Lock - Twist w/Nut
	023692-01-000	EA	Box - Glove Compartment - Black Fiberboard
	09065-01-000	EA	Hinge - Continuous - Aluminum 1 1/16" x 72" - Plain
	034309-01-000	EA	Chain - Bead - Glove Box Door
	023834-01-000	EA	Panel - Knee Kick - (Bottom of Dash)
	024418-01-000	EA	Lamp Asm. - Map Gauge
	007308-01-000	EA	Clock - Dash
	007037-01-000	EA	Lighter Asm. - Cigarette - 12 Volt
	007041-01-000	EA	Bezel - Cigarette Lighter
	023599-01-000	EA	Bezel - Entertainment Center - All Options
	024979-01-000	EA	Bezel - Entertainment Center - Lighter Only
	024760-01-000	EA	Bezel - Entertainment Center - Lighter, Clock, Radio and Fader
	007071-01-000	EA	Louver - Chrome - w/Chrome Wheel
	024990-01-000	EA	Outlet - Defroster - w/Swivel - 2" Tan
	024906-01-000	EA	Diffuser - Case - Air Conditioning - 2 1/2" Black
	023020-01-000	EA	Lamp Asm. - Tell Tale
	031366-01-000	EA	Applique - Dash - Cheftain
	039044-01-000	EA	Louver Asm. - A/C Adjustable

DRIVER'S COMPARTMENT GROUP (CONTINUED)

DASH SWITCHES AND GAUGES

Key	Part Number	U/M	Description
	024466-01-000	EA	Switch - Rear Wiper
	024976-01-000	EA	Switch - Generator w/o Circuit Board
	024461-01-000	EA	Switch - Battery
	024463-01-000	EA	Switch - Blinker
	024464-01-000	EA	Switch - Washer
	024465-01-000	EA	Switch - Fuel
	024467-01-000	EA	Switch - Wiper
	024462-01-000	EA	Switch - Battery Condition
	024907-01-000	EA	Control Asm. - Heater - A/C 3-Speed
	031376-02-000	EA	Control Asm. - Heater - 2-Speed
	024459-01-000	EA	Gauge - Voltmeter
	024460-01-000	EA	Gauge - Vacuum
	031373-01-000	EA	Gauge - Auxiliary Fuel
	031035-01-000	EA	Gauge - Hourmeter

FRONT OVERHEAD BUNK CABINET

Key	Part Number	U/M	Description
	031471-03-700	EA	Cabinet - Glide Away - Overhead
	031471-03-701	EA	Door - Sliding - Glide Away - Overhead
	009148-01-000	EA	Fingerpull
	009785-01-000	FT	Track - Sliding Door - Upper - Dark Brown Plastic
	009786-01-000	FT	Track - Sliding Door - Lower - Dark Brown Plastic

MISCELLANEOUS DRIVER'S COMPARTMENT COMPONENTS

Key	Part Number	U/M	Description
	034800-01-000	EA	Cover - Motor - Plastic
	020763-01-000	EA	Seal - Motor Cover
	035022-01-000	FT	Tape - Windshield - 3/8" x 3/8" - Butyl
	039857-01-000	EA	Latch - Rubber - Draw Handle - 5 3/4" w/Strike - Motor Cover
	039856-01-000	EA	Latch - Rubber - Draw Handle - 3" w/Strike - Motor Cover
	033860-01-000	EA	Cable - Fresh Air - Bowden - 52"
	007278-01-000	EA	Mirror - Inside 4 1/2" x 9"
	009143-01-000	EA	Mirror - Inside 1/8" x 3.5" x 8" - Sunvisor
	022758-02-000	EA	Sunvisor Asm. - Right - Oxen Tan
	022759-02-000	EA	Sunvisor Asm. - Left - Oxen Tan
	041842-01-000	EA	Clip - Sunvisor Rod - Brown Plastic
	039067-01-000	EA	Pocket - Map - Oxen Tan
	031003-02-000	EA	Side Panel - Oxen Tan - Left
	031004-02-000	EA	Side Panel - Oxen Tan - Right
	041459-01-000	EA	Pedestal - Top - Single Seat
	041460-01-000	EA	Pedestal - Top - Double Seat
	041654-01-000	EA	Pedestal Base - Single - Double Seat - w/Tightener
	036832-01-000	EA	Rod - Seat Adjuster
	007223-01-000	EA	Adjuster Asm. - Seat w/Lock
	007227-01-000	EA	Adjuster Asm. - Seat w/o Lock
	007019-01-000	EA	Belt Asm. - Seat - 2" x 84" - Black
	041322-01-000	EA	Washer - Flat - 15/32" I.D. x 2 3/8 O.D. - Seat Belt
	023630-01-000	EA	Bracket - Seat Belt

1975 WINNEBAGO TABLE OF CONTENTS

Introduction	A-1
Abbreviations	A-1
Alphabetical Index	A-2 - A-4
D25C	A-5 - B-14
D25CL	B-15 - C-24
D27C	D-1 - E-10
D27CL	E-11 - F-20
D27CURB	F-21 - H-6
D27CU	H-7 - I-18
D27CUL	I-19 - K-6
D25CU	K-7 - L-16

1975 D25CL INDEX

Floor Plan	B-15 - B-16
Accessories Group	B-17 - B-18
Bath Group	B-19
Chassis Group	B-19 - B-20
Curtain, Cushion & Pad Group	B-21 - B-24
Dinette Group	C-1
Driver's Compartment Group	C-1 - C-2
Electrical Group	C-3 - C-4
Exterior Body Group	C-5 - C-8
Galley Group	C-9
Heating & Air Conditioning Group	C-10
Interior Finish Group	C-11 - C-12
LP Group	C-13
Lounge Group	C-13
Water & Sewage Group	C-14
Window, Vent & Exterior Door Group	C-15 - C-24

ELECTRICAL GROUP

BULBS

Key	Part Number	U/M	Description
	037935-01-000	EA	Bulb - 1157
	038010-01-000	EA	Bulb - 1143
	008103-01-000	EA	Bulb - 53
	008214-01-000	EA	Bulb - 67
	008215-01-000	EA	Bulb - 1003
	008216-01-000	EA	Bulb - 1034
	008217-01-000	EA	Bulb - 1071
	008218-01-000	EA	Bulb - 1141
	008219-01-000	EA	Bulb - 656
	008220-01-000	EA	Bulb - 12 Volt - 25 Watt
	036196-01-000	EA	Bulb - 194
	700020-01-000	EA	Bulb - 12 Volt - 20 Watt 1383
	008213-01-000	EA	Bulb - 57

EXTERIOR LIGHTS

Key	Part Number	U/M	Description
	008089-01-000	EA	Light - Porch - Recessed
	039866-01-000	EA	Lens - Clearance Light - Round Amber
	039865-01-000	EA	Lens - Clearance Light - Round Red
	033562-01-000	EA	Light - Clearance - Amber Oval w/Ground - 2 Bulb
	033748-01-000	EA	Light - Clearance - Amber Oval w/Ground - 1 Bulb
	033748-02-000	EA	Light Clearance - Red Oval w/Ground - 1 Bulb
	031054-02-000	EA	Lamp Asm. - Tail - Left - Beige
	031054-01-701	EA	Lens - Tail Lamp - Left
	031055-02-000	EA	Lamp Asm. - Tail - Right - Beige
	031055-01-700	EA	Lens - Tail Lamp - Right

INTERIOR LIGHTS

Key	Part Number	U/M	Description
	007309-01-000	EA	Light - Stepwell
	008114-01-000	EA	Light - Dome 12 V
	024473-01-000	EA	Light - Aircraft - 1 Bulb - Gold
	033508-01-000	EA	Light - Dome - 1 Bulb
	033509-01-000	EA	Light - Dome - 2 Bulb
	024642-01-701	EA	Lens - Dome Light - 1 Bulb
	024643-01-701	EA	Lens - Dome Light - 2 Bulb
	039859-01-000	EA	Lighter - w/Night Light and Wall Plate

FUSES AND CIRCUIT BREAKERS

Key	Part Number	U/M	Description
	008233-01-000	EA	Fuse - 12 Volt - 6 Amp
	008234-01-000	EA	Fuse - 12 Volt - 10 Amp
	008235-01-000	EA	Fuse - 12 Volt - 15 Amp
	008236-01-000	EA	Fuse - 12 Volt - 20 Amp
	008248-01-000	EA	Fuse - 12 Volt - 30 Amp
	008276-01-000	EA	Fuse - 12 Volt - 9 Amp
	008251-01-000	EA	Fuse Holder - Black - Screw Type
	008212-01-000	EA	Circuit Breaker - 12 Volt - 5 Amp
	008208-01-000	EA	Circuit Breaker - 12 volt - 40 Amp
	033573-01-000	EA	Circuit Breaker - 12 Volt - 20 Amp
	008268-01-000	EA	Circuit Breaker - 12 Volt - 30 Amp

ELECTRICAL GROUP (CONTINUED)

WINDSHIELD WIPER AND WASHER

Key	Part Number	U/M	Description
	007029-01-000	EA	Washer Asm. - Electric - Front
	007191-01-000	EA	Washer Asm. - Electric - Rear
	037999-01-000	EA	Motor Asm. - Windshield Wiper
	037998-01-000	EA	Link Asm. - Connecting - 22.40" Long
	038000-01-000	EA	Blade - Windshield Wiper - 16"
	038001-01-000	EA	Shaft and Pivot Asm. - 2 25" Arm
	037997-01-000	EA	Arm - Windshield Wiper - 15"
	700073-05-000	EA	Pump and Cover Asm. - (washer)
	700073-02-000	EA	Washer Nozzle Hardware Package - Front

WIRE, SWITCHES AND RECEPTACLES

Key	Part Number	U/M	Description
	008024-01-000	FT	Wire - 18.5 Bonded - Orange/White/Yellow/Blue/Brown
	008025-01-000	FT	Wire - 18.5 Bonded - Orange/White/Yellow/Blue/Green
	008028-01-000	FT	Wire - 18.5 Bonded - Blue/Red/Yellow/Orange/White
	008032-01-000	FT	Wire - 18.4 Bonded
	008195-01-000	EA	Switch - Push Button - 12 Volt
	006077-01-000	EA	Plaque - Compressor Switch
	008054-01-000	EA	Cord - Power - 10-3 30 Amp 25' - UL
	008058-01-000	EA	Adaptor - Power Cord
	024924-01-000	EA	Receptacle - Power Cord w/Plate
	008157-01-000	EA	Receptacle - Duplex - Brown
	047351-01-000	EA	Receptacle - Ground Fault Interrupter - 125 Volt - Black
	024571-01-000	EA	Cover Plate - Receptacle - Jumbo Steel - Brown
	003162-01-000	EA	Switch - Double Toggle - Spade Brown
	008163-01-000	EA	Switch - Toggle - Brown
	008164-01-000	EA	Cover Plate - Switch - Single Plastic - Brown

MISCELLANEOUS ELECTRICAL COMPONENTS

Key	Part Number	U/M	Description
	039859-01-000	EA	Lighter - w/Night Light and Wall Plate
	046775-01-000	EA	Valve Asm. - Fuel Change Over
	008188-01-000	EA	Solenoid - Dual Battery - Relay
	047389-01-000	EA	Battery - 12 Volt - 105 Amp Deep Cycle - Dry
	047330-01-000	EA	Isolator - Dual Battery
	024417-01-000	EA	Panel - Control - Water/Double Sewage - Wamac
	011024-01-000	EA	Sending Unit - Water Tank - 5 Wire
	039861-01-000	EA	Sending Unit Kit - Wamac

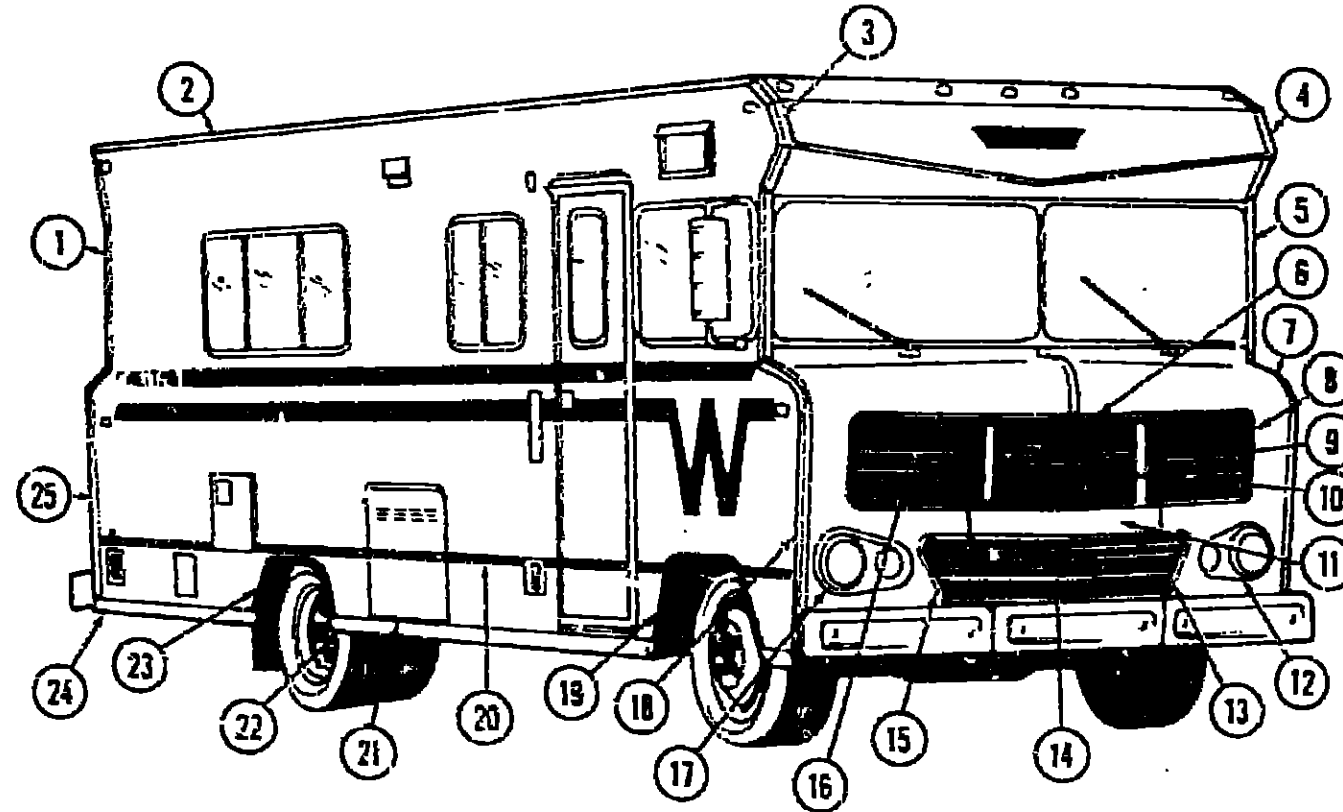
1975 WINNEBAGO TABLE OF CONTENTS

Introduction	A-1
Abbreviations	A-1
Alphabetical Index	A-2 - A-4
D25C	A-5 - B-14
D25CL	B-15 - C-24
D27C	D-1 - E-10
D27CL	E-11 - F-20
D29CURB	F-21-H-6
D27CU	H-7 - I-16
D27CUL	I-19 - K-6
D25CU	K-7 - L-16

1975 D25CL INDEX

Floor Plan	B-15 - B-16
Accessories Group	B-17 - B-18
Bath Group	B-19
Chassis Group	B-19 - B-20
Curtain, Cushion & Pad Group	B-21 - B-24
Dinette Group	C-1
Driver's Compartment Group	C-1 - C-2
Electrical Group	C-3 - C-4
Exterior Body Group	C-5 - C-8
Galley Group	C-9
Heating & Air Conditioning Group	C-10
Interior Finish Group	C-11 - C-12
LP Group	C-13
Lounge Group	C-13
Water & Sewage Group	C-14
Window, Vent & Exterior Door Group	C-15 - C-24

EXTERIOR BODY GROUP



1975 WINNEBAGO TABLE OF CONTENTS

Introduction	A-1
Abbreviations	A-1
Alphabetical Index	A-2 - A-4
D25C	A-5 - B-14
D25CL	B-15 - C-24
D27C	D-1 - E-10
D27CL	E-11 - F-20
D29CURE	F-21 - H-6
D27CU	H-7 - I-18
D27CUL	I-19 - K-6
D25CU	K-7 - L-16

Key	Part Number	U/M	Description
1	021213-03-000	EA	Trim - Contour - Right Rear - Upper - Beige
2	020965-03-000	EA	Trim - Contour - Left Rear - Upper - Beige
3	009717-02-002	EA	Extr. - Awning Rail - 19'
4	020400-04-000	EA	Trim - Contour - Right Front - Upper - Beige
5	020399-04-000	EA	Trim - Contour - Left Front - Upper - Beige
6	017748-04-000	EA	Frame Asm. - Windshield w/o Glass - Beige
7	024764-02-000	EA	Trim - Upper Grille - Top or Bottom
8	020522-04-000	EA	Trim - Contour - Lower Front - Left - Beige
9	024763-02-000	EA	Trim - Upper Grille - Side - Left or Right
10	033365-01-000	EA	Grille Asm. - Upper Left
11	033366-01-000	EA	Grille Asm. - Upper Center
12	020818-02-000	EA	Hood Asm. - Center - Beige
13	023671-04-000	EA	Bezel - Headlight - Left - Beige Plastic
14	024748-02-000	EA	Trim - Lower Grille - Left Side
15	033368-01-000	EA	Grille Asm. - Lower
16	024748-01-000	EA	Trim - Lower Grille - Right Side
17	040876-01-000	EA	Grille Asm. - Upper - Right
18	023671-03-000	EA	Bezel - Headlight - Right - Beige Plastic
19	020521-04-000	EA	Trim - Contour - Lower Front - Right - Beige
20	024427-02-000	EA	Trim - Wheelwell - Front - Left or Right

Key	Part Number	U/M	Description
20	002444-02-003	EA	Extr. - Anod. - Feature Strip - 16'
21	001031-01-003	EA	Insert - Feature Strip - Black Alum. - 21'
22	009731-01-000	EA	Cap - Sidewall Trim - Feature Strip End
23	002939-02-002	EA	Extr. - Anod. - Rocker Panel - 18'
24	006068-01-000	EA	Plug - Wheelwell - Right - Rocker Panel
25	006067-01-000	EA	Plug - Wheelwell - Left - Rocker Panel
26	013834-02-000	EA	Trim - Wheelwell - Rear - Left or Right
27	006083-01-000	EA	Plug - Rocker Panel End - Right Rear or Left Front
28	006082-01-000	EA	Plug - Rocker Panel End - Right Front or Left Rear
29	015251-04-000	EA	Trim - Contour - Lower - Right Rear - Beige
30	015252-04-000	EA	Trim - Contour - Lower - Left Rear - Beige
31	024585-01-000	EA	Stop Asm. - Grille Door
32	021497-01-000	EA	Latch Asm. - Grille
33	024582-02-000	EA	Trim - Roof - Front Center - Beige
34	020797-02-000	EA	Trim - Grille - 35.58"
35	024767-02-000	EA	Trim - Grille - Lower - 19.88"
36	023707-03-000	EA	Panel Asm. - Hoodboard - Right - Beige
37	023707-04-000	EA	Panel Asm. - Hoodboard - Left - Beige
38	002776-02-001	EA	Extr. - Anod. - U-Channel - Serrated - 1 3/4" x 16'
39	002779-02-001	EA	Extr. - Anod. - U-Channel - Ribbed - 1 3/4" x 15'
40	002754-02-001	EA	Extr. - Anod. - Angle - 3/4" x 3/4" x 18'
41	002365-02-001	EA	Extr. - Anod. - U-Channel - 1" Serrated - 18'
			Not illustrated

1975 D25CL INDEX

Floor Plan	B-15 - B-16
Accessories Group	E-17 - B-13
Bath Group	B-19
Chassis Group	B-19 - B-20
Curtain, Cushion & Pad Group	B-21 - B-24
Dinette Group	C-1
Driver's Compartment Group	C-1 - C-2
Electrical Group	C-3 - C-4
Exterior Body Group	C-5 - C-8
Galley Group	C-9
Heating & Air Conditioning Group	C-10
Interior Finish Group	C-11 - C-12
LP Group	C-13
Lounge Group	C-13
Water & Sewage Group	C-14
Window, Vent & Exterior Door Group	C-15 - C-24

EXTERIOR BODY GROUP (CONTINUED)

EXTERIOR BODY PANELS AND SHEET ALUMINUM

Key	Part Number	U/M	Description
	039155-02-008	EA	Aluminum - Beige Mesa Design - .024" x 36" x 60"
	039155-02-002	EA	Aluminum - Beige Mesa Design - .024" x 36" x 300"
	039155-02-003	EA	Aluminum - Beige Mesa Design - .024" x 36" x 360"
	039155-02-007	EA	Aluminum - Beige Mesa Design - .024" x 48" x 60"
	039155-02-005	EA	Aluminum - Beige Mesa Design - .024" x 48" x 300"
	039155-02-006	EA	Aluminum - Beige Mesa Design - .024" x 48" x 360"
	039155-02-008	EA	Aluminum - Beige Mesa Design - .024" x 12" x 360"
	028545-01-000	EA	Aluminum - Beige Grayhound - 48" x 96"
	001018-01-024	EA	Aluminum - Beige - No Design - 48" x 96"
	000868-01-000	BF	Styrofoam - 3/4" x 24" x 96"
	000870-01-000	BF	Styrofoam - 1 1/2" x 24" x 96"
	031590-02-000	EA	Back Wall Assembly
	038805-02-000	EA	Roof Assembly
	038805-02-700	EA	Roof Section - Windshield to First Seam
	038804-02-000	EA	Side Wall Assembly - Left
	039803-02-000	EA	Side Wall Assembly - Right

EXTERIOR PAINT

Key	Part Number	U/M	Description
	044486-01-000	EA	Paint - Beige Acrylic Enamel - 1 Gallon
	044486-03-000	EA	Paint - Beige Acrylic Enamel - 16 oz. - Aerosol
	044486-04-000	EA	Paint - Beige Acrylic Lacquer - 1 Gallon
	041567-01-000	EA	Paint - Rally Gold Acrylic Enamel - 1 Gallon
	041567-03-000	EA	Paint - Rally Gold Acrylic Enamel - 16 oz. - Aerosol
	041568-01-000	EA	Paint - Antique Bronze Metallic - Acrylic Enamel - 1 Gallon
	041568-03-000	EA	Paint - Antique Bronze Metallic - Acrylic Enamel - 16 oz. - Aerosol

LABELS AND DECALS

Key	Part Number	U/M	Description
	006001-01-000	EA	Name Plate - Plastic - Winnebago - Chrome
	006010-01-000	EA	Decal - Winnebago - Brown/Chrome
	006025-01-000	EA	Label - Water Only
	006025-01-000	EA	Label - Gas
	006031-01-000	EA	Label - Potable Water Only
	006040-01-000	EA	Tag - Gas Refueling Warning
	006187-01-000	EA	Label - Sewage
	006188-01-000	EA	Label - Waste Water
	006199-01-000	EA	Label - Exit - Escape Hatch
	006210-01-000	EA	Stencil - Chieftain - Left
	006211-01-000	EA	Stencil - Chieftain - Right
	006023-01-000	EA	Label - Drain Cap - 2" x 3"
	008092-01-000	EA	Reflector - Stick On - Rectangular - Red
	008093-01-000	EA	Reflector - Stick On - Rectangular - Amber

EXTERIOR BODY GROUP (CONTINUED)

SEALANTS, ADHESIVES AND FASTENERS

Key	Part Number	U/M	Description
	034552-05-000	EA	Sealant - Off White Silicone
	034552-04-000	EA	Sealant - Beige Silicone
	034552-02-000	EA	Sealant - Clear Silicone
	004348-02-000	EA	Sealant - Aluminum Silicone
	004349-01-000	EA	Sealant - Black Silicone
	004342-01-000	EA	Sealant - Weatherban 202 Tube
	004346-02-000	EA	Sealant - White Silicone
	002316-01-000	FT	Sealer Tape - 3/32" x 3/8" - White
	024545-01-000	FT	Sealer Tape - 1/8" x 5/8" - Black
	004350-01-000	FT	Sealer Tape - 1/8" x 1" - Formaseal
	004352-01-000	FT	Sealer Tape - 1/8" x 3/4" - Formaseal
	004355-01-000	FT	Sealer Tape - 1/8" x 5/8" - Black
	004357-01-000	FT	Sealer Tape - 1/8" x 5/8" - Adhesive
	002707-02-000	FT	Sealer Tape - 5/16" x 1/2"
	002707-01-000	FT	Sealer Tape - 5/16" x 3/4" - Black Foam
	002708-01-000	FT	Sealer Tape - 5/16" x 1/2"
	004363-01-000	FT	Sealer Tape - 3/16" x 1/2" - Foam
	004362-01-000	FT	Sealer Tape - 1/8" x 5/8" - Foam
	009200-01-000	EA	Tape - Furnace 1 1/2"
	041839-01-000	FT	Tape - Window Latch - 3/4" Adhesive
	041839-02-000	FT	Tape - Window Latch - 1/2" Adhesive
	004353-01-000	FT	Tape - Gasket - 1/8" x 3/4" - White
	002825-01-000	FT	Weather Stripping - Roof Vent
	002337-01-000	FT	Adhesive - 3M - 1300 Tube
	004005-01-000	GL	Adhesive - Swifts - Green Glue - (Sidewalls)
	004012-01-000	EA	Adhesive - 3M - 4475 Tube
	004020-01-000	QT	Adhesive ABS Cement - (Plastic Fittings)
	029051-01-000	EA	Adhesive - Spray Vinyl
	042401-01-000	EA	Screw - 8-18 x 3/4" SDPH - Beige
	042403-01-000	EA	Screw - SF/DR 8-18 x 1" SDPH - Beige
	005081-01-000	EA	Screw - Wood - 12-11 x 3" P.O.H. - Zinc

MISCELLANEOUS EXTERNALLY MOUNTED PARTS

Key	Part Number	U/M	Description
	016253-01-000	EA	Fuel Fill - Recessed - Single Beige - 2 7/16" Hole Diameter
	016253-02-000	EA	Fuel Fill - Recessed - Single Beige - 2" Hole Diameter
	015587-05-000	EA	Fuel Fill - Recessed - Double Beige
	022620-02-000	EA	Water Fill - Recessed Beige
	031564-03-000	EA	Handle - Assist - Recessed Bronze
	011129-01-000	EA	Plumbing Seal - Roof - White 1 1/2"
	011124-01-000	EA	Plumbing Seal - Roof - White 1 1/4"
	022400-01-000	EA	Mirror - O/S - w/Convex - Stainless Steel
	700023-04-000	EA	Mirror - Convex - 6" x 4"

1975 WINNEBAGO TABLE OF CONTENTS

Introduction	A-1
Abbreviations	A-1
Alphabetical Index	A-2 - A-4
D25C	A-5 - B-14
D25CL	B-15 - C-24
D27C	D-1 - E-10
D27CL	E-11 - F-20
D29CURB	F-21-H-6
D27CU	H-7 - I-18
D27CUL	I-19 - K-6
D25CU	K-7 - L-16

1975 D25CL INDEX

Floor Plan	B-15 - B-16
Accessories Group	B-17 - B-18
Bath Group	B-19
Chassis Group	B-19 - B-20
Curtain, Cushion & Pad Group	B-21 - B-24
Dinette Group	C-1
Driver's Compartment Group	C-1 - C-2
Electrical Group	C-3 - C-4
Exterior Body Group	C-5 - C-8
Galley Group	C-9
Heating & Air Conditioning Group	C-10
Interior Finish Group	C-11 - C-12
LP Group	C-13
Lounge Group	C-13
Water & Sewage Group	C-14
Window, Vent & Exterior Door Group	C-15 - C-24

GALLEY GROUP

OVERHEAD GALLEY CABINET

Key	Part Number	U/M	Description
	031078-01-700	EA	Cabinet Assembly - Overhead Galley - w/o Door or Hardware
	031078-01-701	EA	Door Assembly - Overhead Cabinet - w/o Hardware
	033535-05-000	EA	Molding Assembly - Shelf

GALLEY CABINET AND COMPONENTS

Key	Part Number	U/M	Description
	031060-04-700	EA	Cabinet Assembly - w/o Drawers, Doors, Countertop or Hardware
	031060-04-701	EA	Drawer - Galley - 5 1/4" x 14 1/8" - w/o Hardware
	031060-04-702	EA	Drawer - Galley - 6 3/8" x 20.5" - w/o Hardware
	031060-04-703	EA	Door - Galley - 11 7/16" x 25 7/8" - w/o Hardware
	031060-04-704	EA	Door - Galley - 7" x 20.5" - w/o Hardware
	031060-04-705	EA	Countertop Assembly - Butcher Block w/Cut Out
	040435-01-000	EA	Extension - Counter Top - Butcher Block
	009059-01-000	EA	Hinge - 2" - Gold
	009049-01-000	EA	Support - Drop Leaf Table
	011033-01-000	EA	Sink - Stainless Steel - Double - Large - Small - w/Bolts
	033872-01-000	EA	Faucet Assembly - Swivel - Single Handle
	011053-01-700	EA	Aerator - Faucet
	011085-01-000	EA	Strainer - Sink
	006091-01-000	EA	Tray - Cutlery - Gold
	024584-01-000	EA	Towel Rack - Disappearing - 18"

Key	Part Number	U/M	Description
**	034542-01-000	EA	Refrigerator - Winnebago - Two Door - W5
**	034544-01-000	EA	Refrigerator - Winnebago - Two Door - W7
**	034545-01-000	EA	Refrigerator - Winnebago - One Door - W6
**	003336-01-000	EA	Refrigerator - Dometic - One Door - RM66
**	003337-01-000	EA	Refrigerator - Dometic - Two Door - RM76
**	003016-01-000	EA	Range - Coleman Eyelevel - 2209C
**	046747-01-000	EA	Range - Coleman Eyelevel - 2209F
*	024669-01-000	EA	Hood - Range - Eyelevel Oven - Strawsine
*	024669-01-700	EA	Filter - Range Hood - Eyelevel Oven - Strawsine
*			Not Illustrated

** The illustrated parts breakdown for this item is provided on the Common Items Fiche.

HEATING AND AIR CONDITIONING GROUP

EVANS AUTOMOTIVE HEATING AND AIR CONDITIONING

Key	Part Number	U/M	Description
	033922-01-000	EA	Evaporator - Air Conditioner
	033932-01-000	EA	Valve - Expansion
	033935-01-000	EA	Core - Heater
	035459-01-701	EA	Blower Asm. - 3 Speed w/Motor
	033926-01-000	EA	Cold Control
	035459-01-704	EA	Resistor - Evans Heater
	048217-01-000	EA	Switch - Fan - 3 Speed Evans
	033933-01-000	EA	Compressor - Auto Air - Evans
	033855-01-000	EA	Condenser - Radiator Mount - Evans
	033854-01-000	EA	Receiver Drier
	033934-01-000	EA	Clutch - Compressor - Evans
	048229-01-000	EA	Kit - Auto Air - 440 - Evans
**	003135-01-000	EA	Furnace - Coleman - 23,000 B.T.U. - 4023
**	003136-01-000	EA	Furnace - Coleman - 28,000 B.T.U. - 4026
**	003140-01-000	EA	Furnace - Coleman - 30,000 B.T.U. - 4030
**	041603-01-000	EA	Furnace - Coleman - 23,000 B.T.U. - 4225
**	041604-01-000	EA	Furnace - Coleman - 28,000 B.T.U. - 4230
**	041605-01-000	EA	Furnace - Coleman - 31,000 B.T.U. - 4235
**	003119-01-000	EA	Furnace - Suburban - 16,000 B.T.U. - NT16
**	034014-01-000	EA	Furnace - Lear Siegler - 32,000 B.T.U. - SRF32
**	003126-01-000	EA	Air Conditioner Asm. - Roof Mount - 10,000 BTU Mach I - Coleman w/o Inside Shroud
**	031880-01-000	EA	Air Conditioner Asm. - Roof Mount - 13,500 BTU Mach III - Coleman w/o Inside Shroud
**	049777-01-000	EA	Air Conditioner - Roof Mount - Ivory - 11,000 BTU Coleman - w/o Inside Shroud
**	049774-01-000	EA	Air Conditioner - Roof Mount - Ivory - 13,500 BTU Coleman - w/o Inside Shroud
**	041738-01-000	EA	Shroud Asm. - Air Conditioner - Inside Ceiling Cool Only - Mach I or Mach III
**	049778-01-000	EA	Shroud Asm. - Air Conditioner - Inside Ceiling Cool Only - 11,000 BTU - Ivory
**	049775-01-000	EA	Shroud Asm. - Air Conditioner - Inside Ceiling Cool Only - 13,500 BTU - Ivory
**	049776-01-000	EA	Shroud Asm. - Air Conditioner - Inside Ceiling Heat and Cool - 13,500 BTU - Ivory

** The illustrated parts breakdown for this item is provided on the Common Items Fiche.

1975 WINNEBAGO TABLE OF CONTENTS

Introduction	A-1
Abbreviations	A-1
Alphabetical Index	A-2 - A-4
D25C	A-5 - B-14
D25CL	B-15 - C-24
D27C	D-1 - E-10
D27CL	E-11 - F-20
D29CURB	F-21 - H-6
D27CU	H-7 - I-18
D27CUL	I-19 - K-5
D25CU	K-7 - L-16

1975 D25CL INDEX

Floor Plan	B-15 - B-16
Accessories Group	B-17 - B-18
Bath Group	B-19
Chassis Group	B-19 - B-20
Curtain, Cushion & Pad Group	B-21 - B-24
Dinette Group	C-1
Driver's Compartment Group	C-1 - C-2
Electrical Group	C-3 - C-4
Exterior Body Group	C-5 - C-8
Galley Group	C-9
Heating & Air Conditioning Group	C-10
Interior Finish Group	C-11 - C-12
LP Group	C-13
Lounge Group	C-13
Water & Sewage Group	C-14
Window, Vent & Exterior Door Group	C-15 - C-24

INTERIOR FINISH GROUP

PANELING AND COUNTERTOP MATERIALS

Key	Part Number	U/M	Description
	024944-01-000	SF	Panel - Aztec - Gold Green - 48" x 96"
	024951-01-000	SF	Panel - Bath Wall - White
	037681-01-000	SF	Panel - Burlwood - 48" x 96"
	024942-01-000	SF	Panel - 150 Cherry - 48" x 96"
	000725-02-000	EA	Balt Strip - 150 Cherry
	024944-02-000	SF	Panel - Aztec - Orange - 48" x 96"
	000720-02-000	SF	Panel - White Stucco - 48" x 92 3/4"
	037682-01-000	EA	Plastic Laminate - 48" x 96" - Butcher Block
	009814-06-000	FT	T-Molding - Tan - Butcher Block
	009814-05-000	FT	T-Molding - Brown

FABRICS AND CARPET

Key	Part Number	U/M	Description
	037676-01-000	YD	Fabric - Upholstery - Green
	037676-02-000	YD	Fabric - Upholstery - Gold
	037676-03-000	YD	Fabric - Upholstery - Brown
	037677-01-000	YD	Fabric - Drapes - Outer - Green
	037677-02-000	YD	Fabric - Drapes - Outer - Gold
	037677-03-000	YD	Fabric - Drapes - Outer - Brown
	039174-01-000	YD	Fabric - Drapes - Inner - Ivory
	024918-02-000	YD	Vinyl - Nonperforated - Oxen Tan
	037678-01-000	SY	Carpet Green - Coral Palms 511
	037678-02-000	SY	Carpet Gold - Coral Palms 511
	037678-03-000	SY	Carpet Brown - Coral Palms 511

INTERIOR MOLDINGS AND TRIMS

Key	Part Number	U/M	Description
	009779-01-000	FT	U-Channel - 1 1/8" - Dark Brown
	002779-02-001	FT	Extrusion - U-Channel - 1 3/4" x 16"
	009778-01-000	FT	U-Channel - 1" - Dark Brown
	009777-01-000	FT	U-Channel - Dark Brown
	009720-01-000	EA	Cover - Rollbar - White - 85.44"
	023221-01-000	EA	Cover - Corner - Rollbar
	034115-02-000	EA	Cover - Corner - Support Bar - Brown
	031575-01-000	EA	Cover - Support Bar - Right
	031575-02-000	EA	Cover - Support Bar - Left
	022756-01-000	EA	Cover - A/C - Plastic
	022755-01-000	EA	Cover - Control Panel - Plastic
	034689-01-000	EA	Cover - Screw - 10 PPH Plastic - White
	009812-03-000	FT	Molding - Plastic - Outside Corner - .50"
	009781-01-000	FT	Corner - Outside - 62 x .62 - Brown
	009767-01-000	FT	Welling - Brown
	009814-06-000	FT	T-Molding Tan - Butcher Block
	009814-05-000	FT	T-Molding - Brown

INTERIOR FINISH GROUP (CONTINUED)

CURTAIN HARDWARE

Key	Part Number	U/M	Description
	052327-04-236	FT	Curtain Track - Alum. - Brown - 89" w/Holes
	009107-01-000	EA	Guide - Nylon - Snap - Curtain
	042439-01-000	EA	Bracket - Left or Right - Curtain Rod - Single
	049897-01-000	EA	Rod - Curtain - Flat Extension 25" - 45"
	037672-01-000	EA	Rod - Curtain - Double Flat Extension 48" - 84"
	037672-02-000	EA	Bracket - Curtain Rod - Double Flat Extension
	049897-02-000	EA	Rod - Curtain - Flat Extension 48" - 86"
	009702-01-000	EA	End Stop - Curtain - L-Rod w/Rollers
	009701-01-000	EA	Carrier - w/Rollers - L-Rod
	018031-42-000	EA	Track - Curtain - L-Rod - Aluminum 90"
	020438-01-000	EA	Track - Curtain - Left Front
	021495-01-000	EA	Track - Curtain - Right Front

CABINETS AND TABLE HARDWARE

Key	Part Number	U/M	Description
	043118-01-000	EA	Latch - Cabinet - Chieftain - Tan - Kit
	043117-01-000	EA	Hinge - 3/8" Inset - Century - Medieval Brass
	009015-03-000	EA	Catch - Squeeze - Brass
	009047-01-000	EA	Holder - Door - Overhead
	009150-01-000	EA	Warp Guard - 64"
	009069-01-000	EA	Hinge - Continuous - 1 1/2" x 72"
	009124-01-000	EA	Lock - Door - Push Button - Bathroom
	009112-01-000	EA	Flange - 1" Rod - Chrome
	047642-01-000	EA	Kit - Dinette Table Leg
	047809-01-000	EA	Kit - Dinette Table Hardware - Wall Mount
	043116-01-000	EA	Pull Drawer - Medieval Brass

MISCELLANEOUS PARTS

Key	Part Number	U/M	Description
	041944-01-700	EA	Extinguisher - Fire - w/Bracket - Dry
	006098-01-000	EA	Mirror - Inside - 1/8" x 9" x 16" - Beveled
	009096-01-000	EA	Mirror - Inside - 1/8" x 12" x 42" - Beveled
	009089-01-000	EA	Clip - Mirror - Plastic - w/Screw
	007021-01-000	EA	Belt Assembly - Seat - 2" x 90" - Black
	023680-01-000	EA	Bracket - Seat Belt

1975 WINNEBAGO TABLE OF CONTENTS

Introduction	A-1
Abbreviations	A-1
Alphabetical Index	A-2 - A-4
D25C	A-5 - B-14
D25CL	B-15 - C-24
D27C	D-1 - E-10
D27CL	E-11 - F-20
D29CURB	F-21-H-6
D27CU	H-7 - I-13
D27CUL	I-19 - K-6
D25CU	K-7 - L-16

1975 D25CL INDEX

Floor Plan	B-15 - B-16
Accessories Group	B-17 - B-18
Bath Group	B-19
Chassis Group	B-19 - B-20
Curtain, Cushion & Pad Group	B-21 - B-24
Dinette Group	C-1
Driver's Compartment Group	C-1 - C-2
Electrical Group	C-3 - C-4
Exterior Body Group	C-5 - C-8
Galley Group	C-9
Heating & Air Conditioning Group	C-10
Interior Finish Group	C-11 - C-12
LP Group	C-13
Lounge Group	C-13
Water & Sewage Group	C-14
Window, Vent & Exterior Door Group	C-15 - C-24

LP GROUP

Key	Part Number	U/M	Description
	038803-01-000	EA	Tank - LP - 40 Lb. Vertical
	003815-01-000	EA	Regulator - LP - Automatic
	015569-01-000	EA	Strap - LP Bottle - 38 3/16"
	008820-01-000	EA	Hose Assembly - LP - 1/4" I.D. x 16" - Flex
	045703-01-000	EA	Hose Assembly - LP - 3/8" I.D. x 24"

LOUNGE GROUP

Key	Part Number	U/M	Description
	038477-01-700	EA	Cabinet Asm. - Dresser - w/o Drawer, Door, Countertop or Hardware
	038477-01-701	EA	Countertop Asm. - Dresser Cabinet
	038477-01-702	EA	Drawer Asm. - Dresser Cabinet - 4 1/8" x 19 1/8" w/o Hardware
	038477-01-703	EA	Door Asm. - Dresser Cabinet - 15 1/4" x 19 1/8" w/o Hardware
	033634-01-700	EA	Cabinet Asm. - Corner Overhead - w/o Door or Hardware
	033634-01-701	EA	Door Asm. - Corner Overhead - 43 1/4" x 10 5/8" w/o Hardware
	031591-01-700	EA	Cabinet Face - Gaucho - w/o Door or Hardware
	031591-01-701	EA	Door Asm. - Gaucho Face - 17 1/2" x 11 3/4" w/o Hardware
	031153-01-000	EA	Rack - Magazine - Wooden

WATER AND SEWAGE GROUP

Key	Part Number	U/M	Description
	006060-01-000	EA	Purification System - Everpure
	006060-02-000	EA	Cartridge - Replacement
	023833-01-000	EA	Air Compressor - 12 Volt - For Dual Tanks
	011024-01-000	EA	Sending Unit - Water Tank - 5 Wire
	010210-01-000	EA	Valve - Sanitary - Telford 3HB
	010324-01-000	EA	Adapter - Bayonet
	010235-01-000	EA	Cap - Sewage - 3"
	010236-01-000	EA	Adaptor - Hose - 3"
	046524-01-000	EA	Kit - Fittings - Plastic - Holding Tanks
	011066-01-000	EA	P-Trap - Plastic - 1 1/4"
	011091-01-000	EA	Waste - Continuous Double Sink - 11 7/8"
	011005-01-000	EA	Spout - Water Fill - w/Gauge
	004020-01-000	QT	Adhesive - ABS Cement
	010201-01-000	EA	Hose - Sewer - 3" x 10' w/Clamp
	010209-02-000	EA	Handle - Extension - Sewer Valve - 9.5"
	010727-01-000	EA	Water Tank - 27 Gallon
	014903-01-000	EA	Tank - Holding - Plastic - 35 Gallon
	022439-01-000	EA	Tank - Holding - Auxiliary
**	051391-01-000	EA	Water Heater - Atwood Bowen - G6A2
**	031992-01-000	EA	Water Heater - Atwood Bowen - GH6

** The illustrated parts breakdown for this item is provided on the Common Items Fiche.

1975 WINNEBAGO TABLE OF CONTENTS

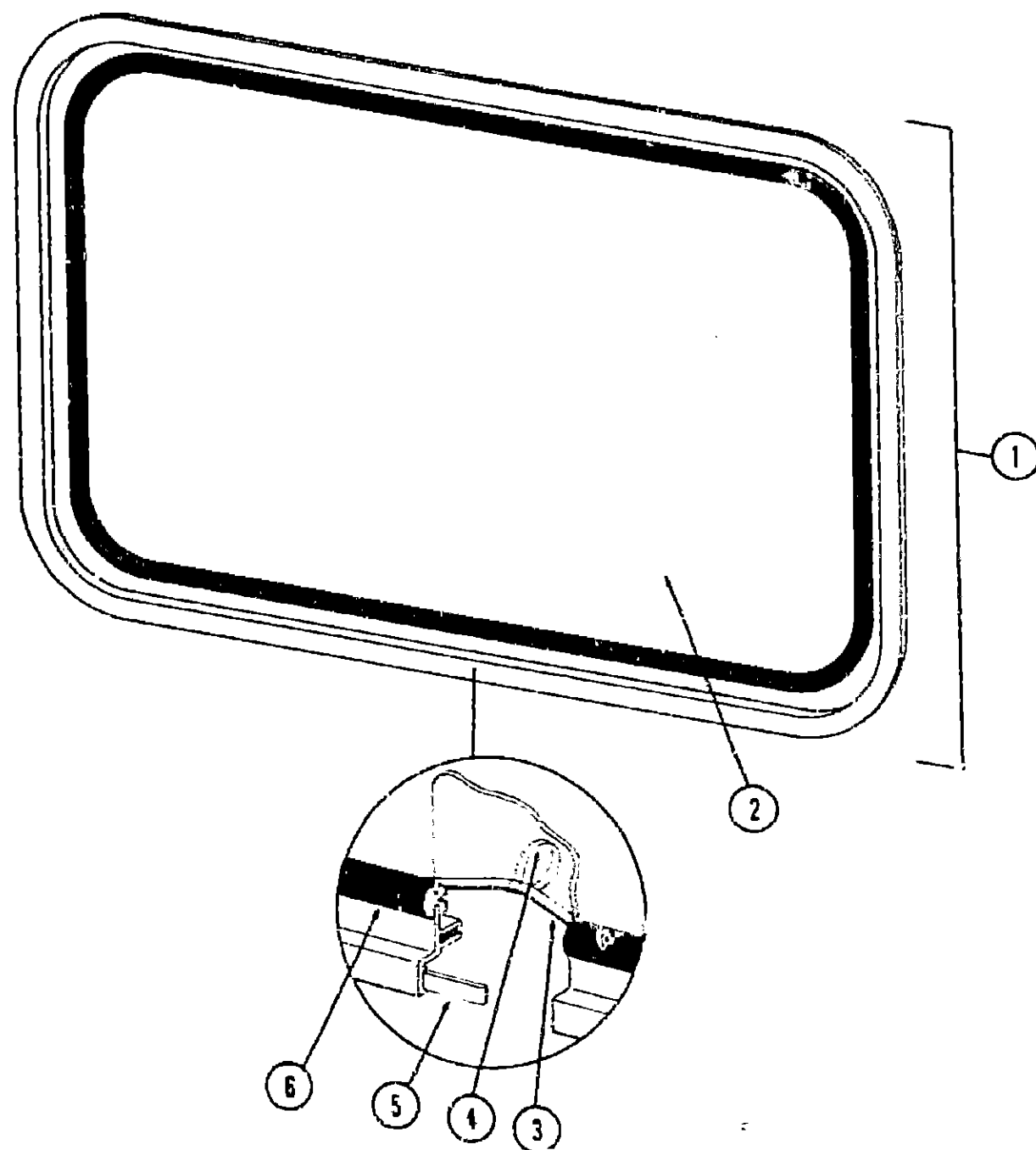
Introduction	A-1
Abbreviations	A-1
Alphabetical Index	A-2 - A-4
D25C	A-5 - B-14
D25CL	B-15 - C-24
D27C	D-1 - E-10
D27CL	E-11 - F-20
D29CURB	F-21 - H-6
D27CU	H-7 - I-18
D27CUL	I-19 - K-6
D25CU	K-7 - L-16

1975 D25CL INDEX

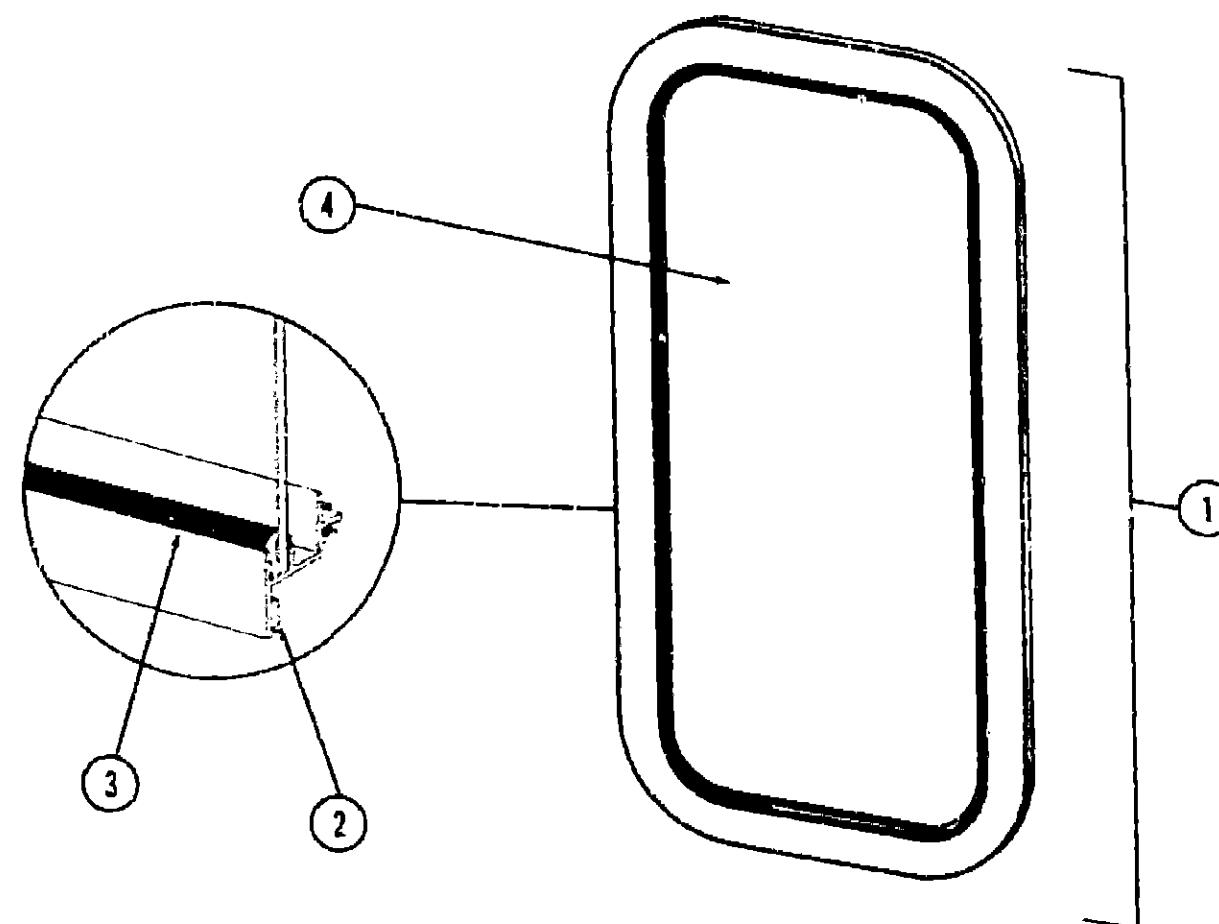
Floor Plan	B-15 - B-16
Accessories Group	B-17 - B-18
Bath Group	B-19
Chassis Group	B-19 - B-20
Curtain, Cushion & Pad Group	B-21 - B-24
Dinette Group	C-1
Driver's Compartment Group	C-1 - C-2
Electrical Group	C-3 - C-4
Exterior Body Group	C-5 - C-8
Galley Group	C-9
Heating & Air Conditioning Group	C-10
Interior Finish Group	C-11 - C-12
LP Group	C-13
Lounge Group	C-13
Water & Sewage Group	C-14
Window, Vent & Exterior Door Group	C-15 - C-24

WINDOW, VENT AND EXTERIOR DOOR GROUP

WINDOW, VENT AND EXTERIOR DOOR GROUP (CONTINUED)



Key	Part Number	U/M	Description
1	G20751-03-000	EA	Window Assembly - Rear Escape - 23" x 29" Black Anod. w/o Inside Frame
2	002174-01-000	EA	Glass - Window - 1/8" x 19 5/16" x 25 9/16"
3	002285-01-000	FT	Filler - Weatherstrip - Black
4	020395-01-000	EA	Slip Ring - Escape Window
5	004363-01-000	FT	Tape - Foam - 3/16" x 1/2" - Grey
6	G02262-01-000	FT	Weatherstrip - 125" - Black
	G20749-03-000	EA	Frame - Escape Window - Inside - 23" x 29" (Not Included in Window Assembly)
	G06199-01-000	EA	Label - Exit - Escape Window
	Not Illustrated		



Key	Part Number	U/M	Description
1	041675-03-000	EA	Window Assembly - Picture - 13" x 23" w/o Inside Frame (Requires Z Style Inside Frame)
2	004363-01-000	FT	Tape - Foam - 3/16" x 1/2" - Grey
3	002309-02-000	FT	Spline - Glass - 1/8" - Black
4	002203-01-000	EA	Glass - TP - 1/8" x 12" x 19"
	017753-01-000	EA	Frame - Window - Inside - 13" x 23" Not Included w/Window Assembly (T Style)
	041696-02-000	EA	Frame - Window - Inside - 13" x 23" Not Included w/Window Assembly (Z Style)
	Not Illustrated		

1975 WINNEBAGO TABLE OF CONTENTS

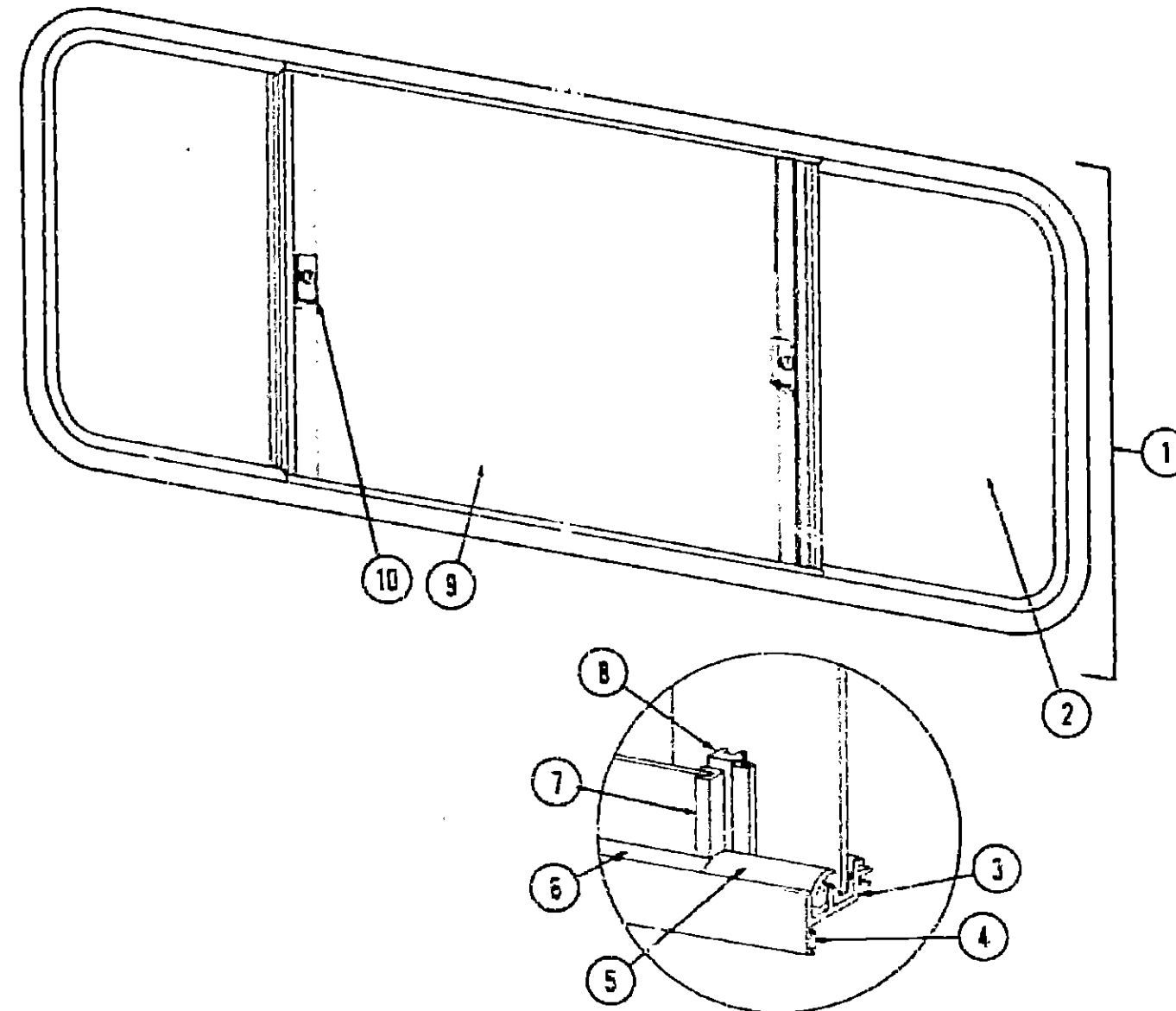
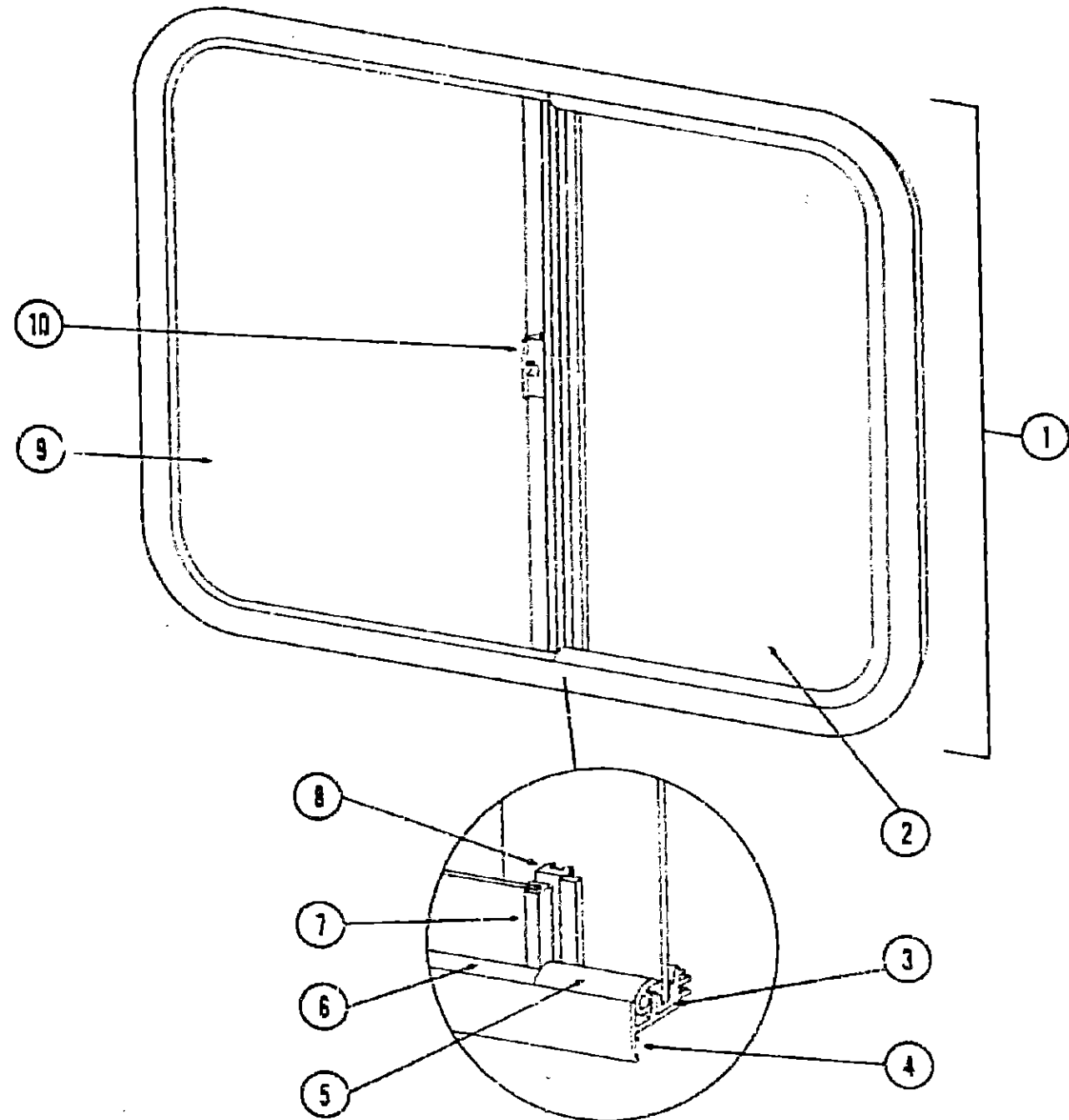
Introduction	A-1
Abbreviations	A-1
Alphabetical Index	A-2 - A-4
D25C	A-5 - B-14
D25CL	B-15 - C-24
D27C	D-1 - E-10
D27CL	E-11 - F-20
D29CURB	F-21 - H-6
D27CU	H-7 - I-18
D27CUL	I-19 - K-6
D25CU	K-7 - L-16

1975 D25CL INDEX

Floor Plan	B-15 - B-16
Accessories Group	B-17 - B-18
Bath Group	B-19
Chassis Group	B-19 - B-20
Curtain, Cushion & Pad Group	B-21 - B-24
Dinette Group	C-1
Driver's Compartment Group	C-1 - C-2
Electrical Group	C-3 - C-4
Exterior Body Group	C-5 - C-8
Galley Group	C-9
Heating & Air Conditioning Group	C-10
Interior Finish Group	C-11 - C-12
LP Group	C-13
Lounge Group	C-13
Water & Sewage Group	C-14
Window, Vent & Exterior Door Group	C-15 - C-24

WINDOW, VENT AND EXTERIOR DOOR GROUP (CONTINUED)

WINDOW, VENT AND EXTERIOR DOOR GROUP (CONTINUED)



Key	Part Number	U/M	Description
1	048631-07-000	EA	Window Assembly - Right Single Slider - 23" x 29" - w Plastic Latch w/o Inside Frame (Requires Z Style Inside Frame)
2	047813-01-000	EA	Glass - Sliding - 1/8" x 22" x 13.68" w/Holes (Used w/ Plastic Latch)
	002185-01-000	EA	Glass - Sliding - 1/8" x 22" x 13.68" w/o Holes (Used w/ Aluminum Latch)
3	002324-01-000	FT	Channel - Weatherstrip - Glass Run - 1/8" Glass
4	004363-01-000	FT	Tape - Foam - 3/16" x 1/2" - Grey
5	024096-02-000	FT	Seal - Window Channel - Black (Used in Window w/ Z Style Inside Frame)
	002283-01-000	FT	Seal - Window Channel (Used in Window w/ T Style Inside Frame)
6	002309-02-000	FT	Spline - Glass - 1/8" - Black
7	018025-03-000	EA	Holder - Glass Seal - 23" - Black Anod.
8	041894-02-000	EA	Mullion - Slider Window - 23" - Black Anod (Used in Window w/ Z Style Inside Frame)
	018014-01-000	EA	Mullion - Slider Window - 22" - Black Anod (Used in Window w/ T Style Inside Frame)
9	002184-01-000	EA	Glass - TP - Stationary
10	047369-01-700	EA	Latch - Window - Plastic w/ Fastener
	023275-01-000	EA	Latch - Window - Aluminum
	041839-01-000	FT	Tape - Foam - Aluminum Window Latch
	002298-01-000	FT	Spline - Screen - 130" Diameter - Grey
	002293-01-000	SF	Screen - Window - 26" - Grey
	023713-02-000	EA	Cover - Weephole - Black Plastic
	042147-01-000	EA	Frame - Window - Inside - 23" x 29" (Z Style)
	018027-01-000	EA	Frame - Window - Inside - 23" x 29" (T Style)
			Not Illustrated

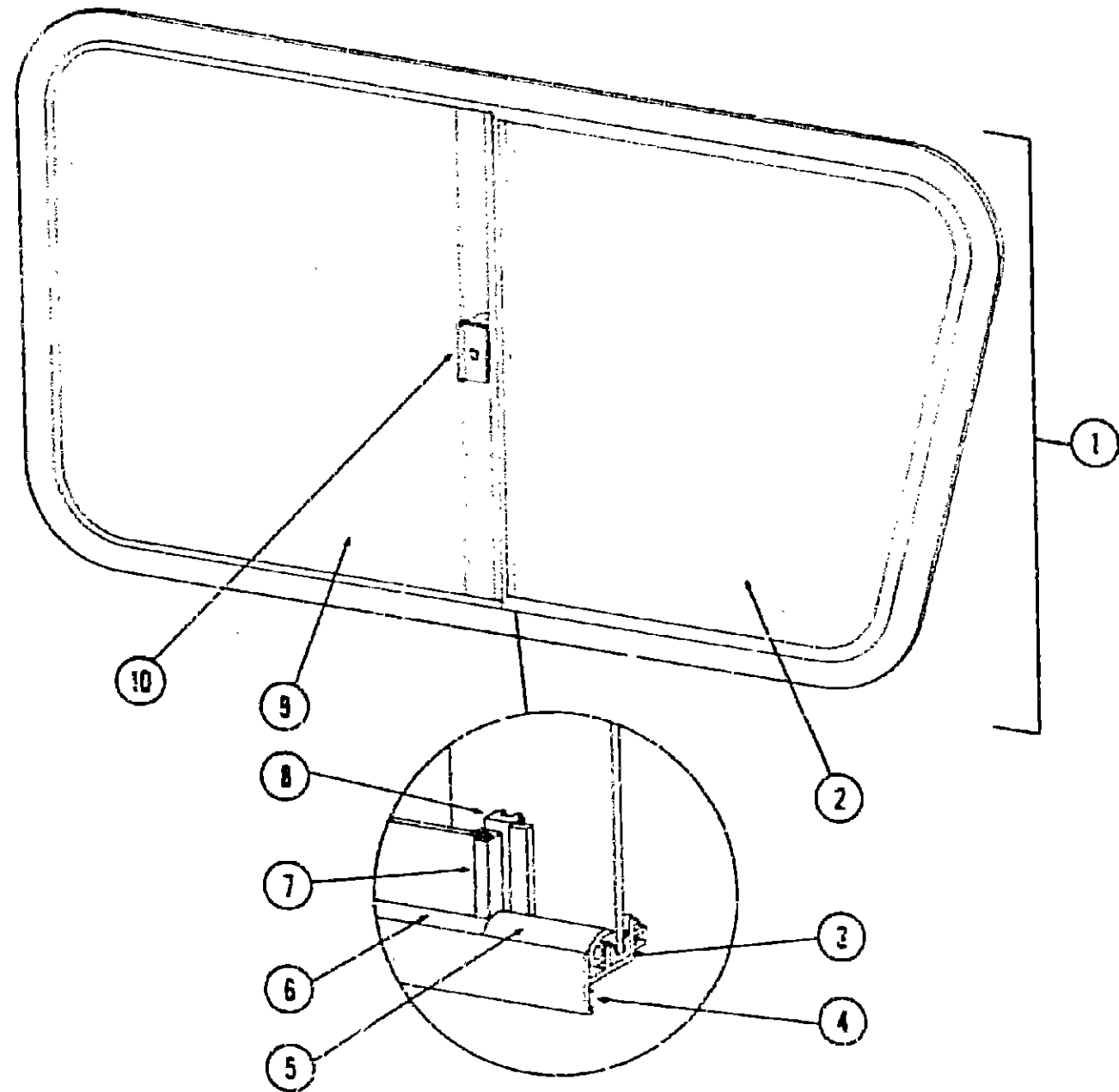
1975 WINNEBAGO TABLE OF CONTENTS

Introduction	A-1
Abbreviations	A-1
Alphabetical Index	A-2 - A-4
D25C	A-5 - B-14
D25CL	B-15 - C-24
D27C	D-1 - E-10
D27CL	E-11 - F-20
D29CURB	F-21 - H-6
D27CU	H-7 - I-18
D27CUL	I-19 - K-6
D25CU	K-7 - L-16

1975 D25CL INDEX

Floor Plan	B-15 - B-16
Accessories Group	B-17 - B-18
Bath Group	E-19
Chassis Group	B-19 - B-20
Curtain, Cushion & Pad Group	B-21 - B-24
Dinette Group	C-1
Driver's Compartment Group	C-1 - C-2
Electrical Group	C-3 - C-4
Exterior Body Group	C-5 - C-8
Galley Group	C-9
Heating & Air Conditioning Group	C-10
Interior Finish Group	C-11 - C-12
LP Group	C-13
Lounge Group	C-13
Water & Sewage Group	C-14
Window, Vent & Exterior Door Group	C-15 - C-24

WINDOW, VENT AND EXTERIOR VENT GROUP (CONTINUED)



Key	Part Number	U/M	Description
1	017203-03-000	EA	Window Assembly - Black - Radius - Right Slanted Slider w/o Inside Frame
	017754-03-000	EA	Window Assembly - Black - Radius - Left Slanted Slider w/o Inside Frame
2	002189-01-000	EA	Glass - 1/8" x 22" x 23.569"
3	002324-01-000	FT	Channel - Weatherstrip - Glass Run - 1/8" Glass
4	004363-01-000	FT	Tape - Foam - 3/16" x 1/2" - Grey
5	024096-01-000	FT	Seal - Window Channel - Grey
6	002309-02-000	FT	Spline - Glass - 1/8" - Black
7	018025-03-000	EA	Holder - Glass Seal - Black Anod
8	041894-02-000	EA	Mullion - Slider Window - 23" - Black Anod
9	002180-01-000	EA	Glass - 1/8" x 22" x 19.051"
10	023275-01-000	EA	Latch Assembly - Window
	017755-05-000	EA	Frame - Inside - Front Slanted Slider - Brown - Right
	017755-06-000	EA	Frame - Inside - Front Slanted Slider - Brown - Left
	020834-01-000	EA	Screen Assembly - Slider
	023713-02-000	EA	Cover - Weephole - Plastic - Black

WINDOW, VENT AND EXTERIOR VENT GROUP (CONTINUED)

WINDOWS

Key	Part Number	U/M	Description
	002054-01-000	EA	Window - 8 1/2" x 17 7/8" - Crank - Right - Hehr
	002056-01-000	EA	Window - 8 1/2" x 17 7/8" - Crank - Left - Hehr

STORM WINDOWS

Key	Part Number	U/M	Description
	009166-01-000	EA	Latch - Nylon - Storm Window
	020802-01-000	EA	Window - Radius - Storm - 22" x 28"
	020803-01-000	EA	Window - Radius - Storm - 12" x 22"
	020804-01-000	EA	Window - Radius - Storm - 22" x 64"

WINDSHIELD

Key	Part Number	U/M	Description
	002192-01-000	EA	Glass - Windshield - 1/4" x 21" x 44.23"
	017748-02-000	EA	Frame - Windshield - Anodized
	024677-01-000	FT	Weather Strip
	024678-01-000	FT	Filler Strip

ACCESS DOOR

Key	Part Number	U/M	Description
	003182-02-000	EA	Door - Water Heater - Beige
	016098-01-000	EA	Door Assembly - 9" x 10" - Beige - Left
	018585-01-000	EA	Door Assembly - 9" x 10" - Beige - Right
	016633-07-000	EA	Door Assembly - Refrigerator - Beige
	033333-12-000	EA	Door Assembly - Battery and Luggage - Beige
	047305-01-000	EA	Lock Assembly - Key Type w/Clip
	039694-01-000	EA	Lock Assembly - Twist Type w/Clip
	016945-02-000	EA	Holder Assembly - Battery and Luggage Door
	031007-05-000	EA	Door Assembly - Generator - Beige
	007067-01-000	SF	Insulation - Fiberglass - 1"
	009065-01-000	EA	Hinge - Continuous Aluminum - 1 1/2" x 96" - Plain

VENTS

Key	Part Number	U/M	Description
	009407-01-000	EA	Vent Asm - Base - Refrigerator Vent - w/o Cover
	039778-01-000	EA	Cover - Plastic - Refrigerator Vent
	049352-02-000	EA	Vent - Stovehood - Outside - Beige (Jensen)

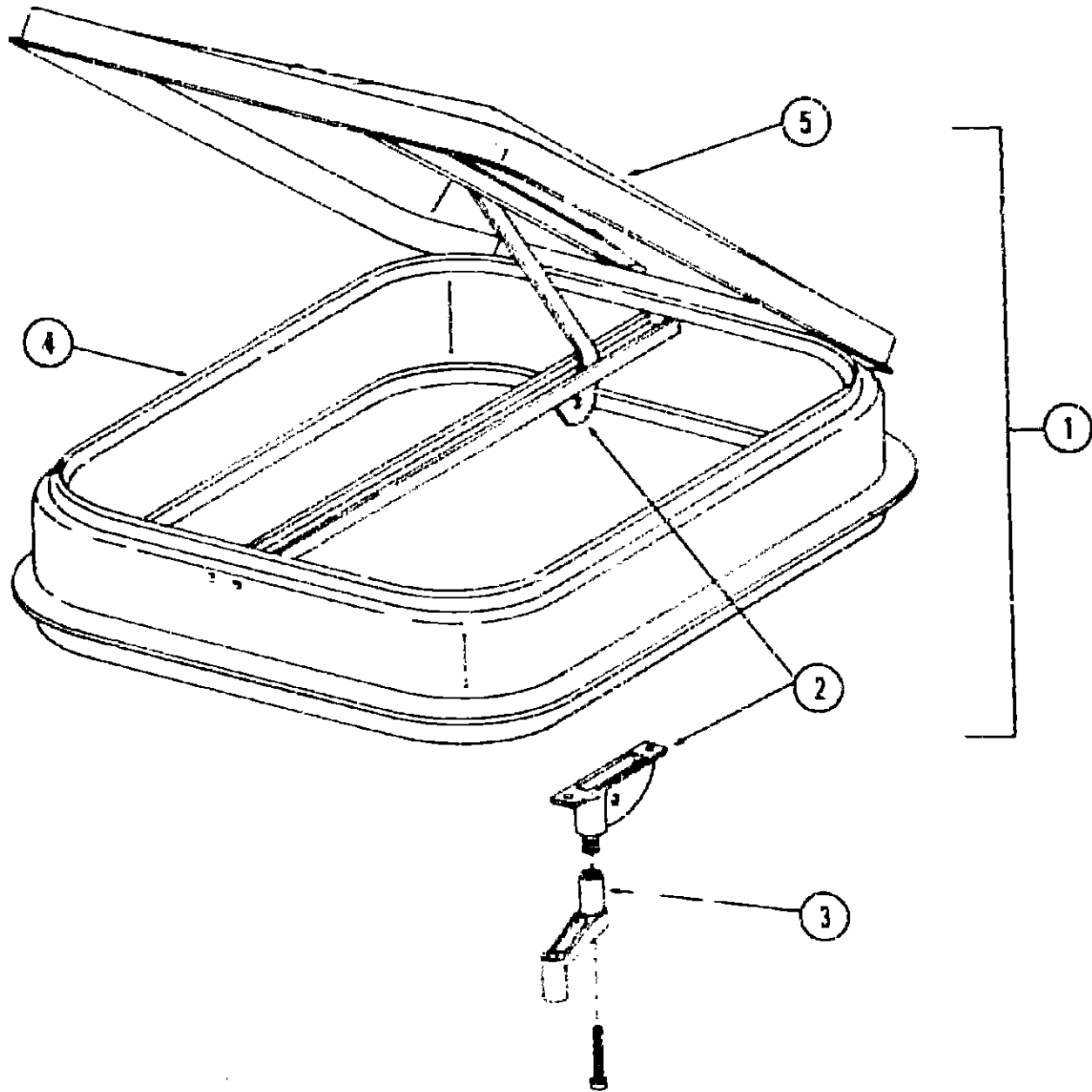
1975 WINNEBAGO TABLE OF CONTENTS

Introduction	A-1
Abbreviations	A-1
Alphabetical Index	A-2 - A-4
D25C	A-5 - B-14
D25CL	B-15 - C-24
D27C	D-1 - E-10
D27CL	E-11 - F-20
D29CURB	F-21-H-6
D27CU	H-7 - I-18
D27CUL	I-19 - K-6
D25CU	K-7 - L-16

1975 D25CL INDEX

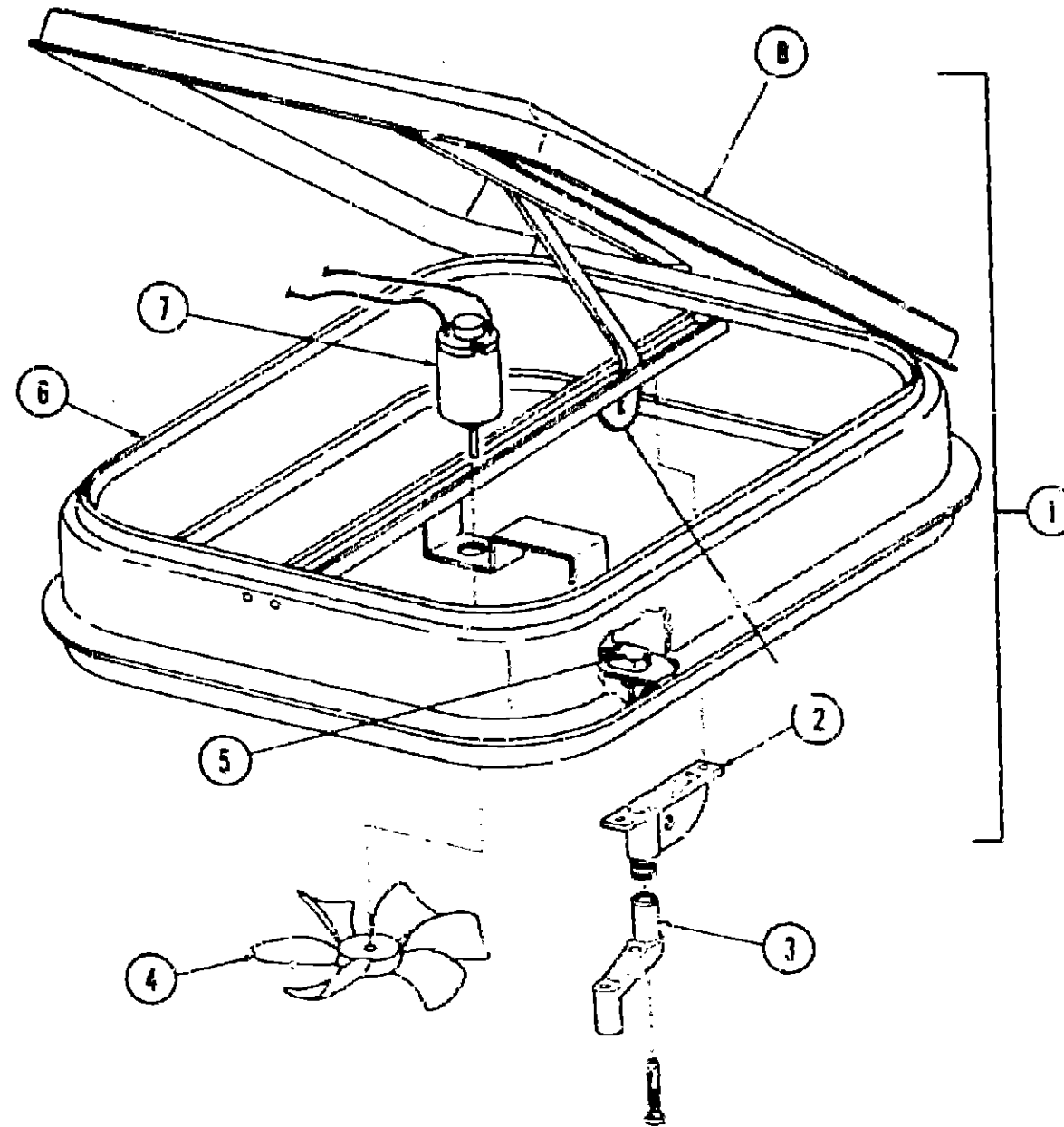
Floor Plan	B-15 - B-16
Accessories Group	B-17 - B-18
Bath Group	B-19
Chassis Group	B-19 - B-20
Curtain, Cushion & Pad Group	B-21 - B-24
Dinette Group	C-1
Driver's Compartment Group	C-1 - C-2
Electrical Group	C-3 - C-4
Exterior Body Group	C-5 - C-8
Galley Group	C-9
Heating & Air Conditioning Group	C-10
Interior Finish Group	C-11 - C-12
LP Group	C-13
Lounge Group	C-13
Water & Sewage Group	C-14
Window, Vent & Exterior Door Group	C-15 - C-24

WINDOW, VENT AND EXTERIOR VENT GROUP (CONTINUED)



Key	Part Number	U/M	Description
1	048835-01-000	EA	Vent Asm. - Roof - Nonpowered - w/o Screen
2	009440-01-000	EA	Gear - Arm - Roof Vent
3	009439-01-000	EA	Crank - Roof Vent
4	002825-01-000	FT	Weatherstrip - Roof Vent
5	046825-01-000	EA	Cover - Plastic - Roof Vent
•	016335-01-000	EA	Screen Asm. - Nonpowered Roof Vent - Clear Anod (not included in assembly)
•	016335-03-000	EA	Screen Asm. - Nonpowered Roof Vent - Beige (not included in assembly)
•	Not Illustrated		

WINDOW, VENT AND EXTERIOR VENT GROUP (CONTINUED)



Key	Part Number	U/M	Description
1	048789-01-000	EA	Vent Asm. - Roof - Powered - w/o Screen
2	009440-01-000	EA	Gear - Arm - Roof Vent
3	009439-01-000	EA	Crank - Roof Vent
4	048649-01-000	EA	Fan - Blade - 6" - Plastic
•	009442-01-000	EA	Fan - Blade - Alum
5	008195-01-000	EA	Switch - Push Button - 12 Volt
6	002825-01-000	FT	Weatherstrip - Roof Vent
7	048648-01-000	EA	Motor - 12 Volt (Vent w/Plastic Fan)
•	009441-01-000	EA	Motor - 12 Volt (Vent w/Alum Fan)
8	046825-01-000	EA	Cover - Plastic - Roof Vent (Vent w/Plastic Fan)
•	016336-01-000	EA	Cover - Plastic - Roof Vent (Vent w/Alum Fan)
•	048695-01-000	EA	Screen Asm. - Powered Roof Vent - Clear Anod. - Vent w/Plastic Fan (not included w/assembly)
•	016337-01-000	EA	Screen Asm. - Powered Roof Vent - Clear Anod. - Vent w/Alum Fan (not included w/assembly)
•	Not Illustrated		

1975 WINNEBAGO
TABLE OF CONTENTS

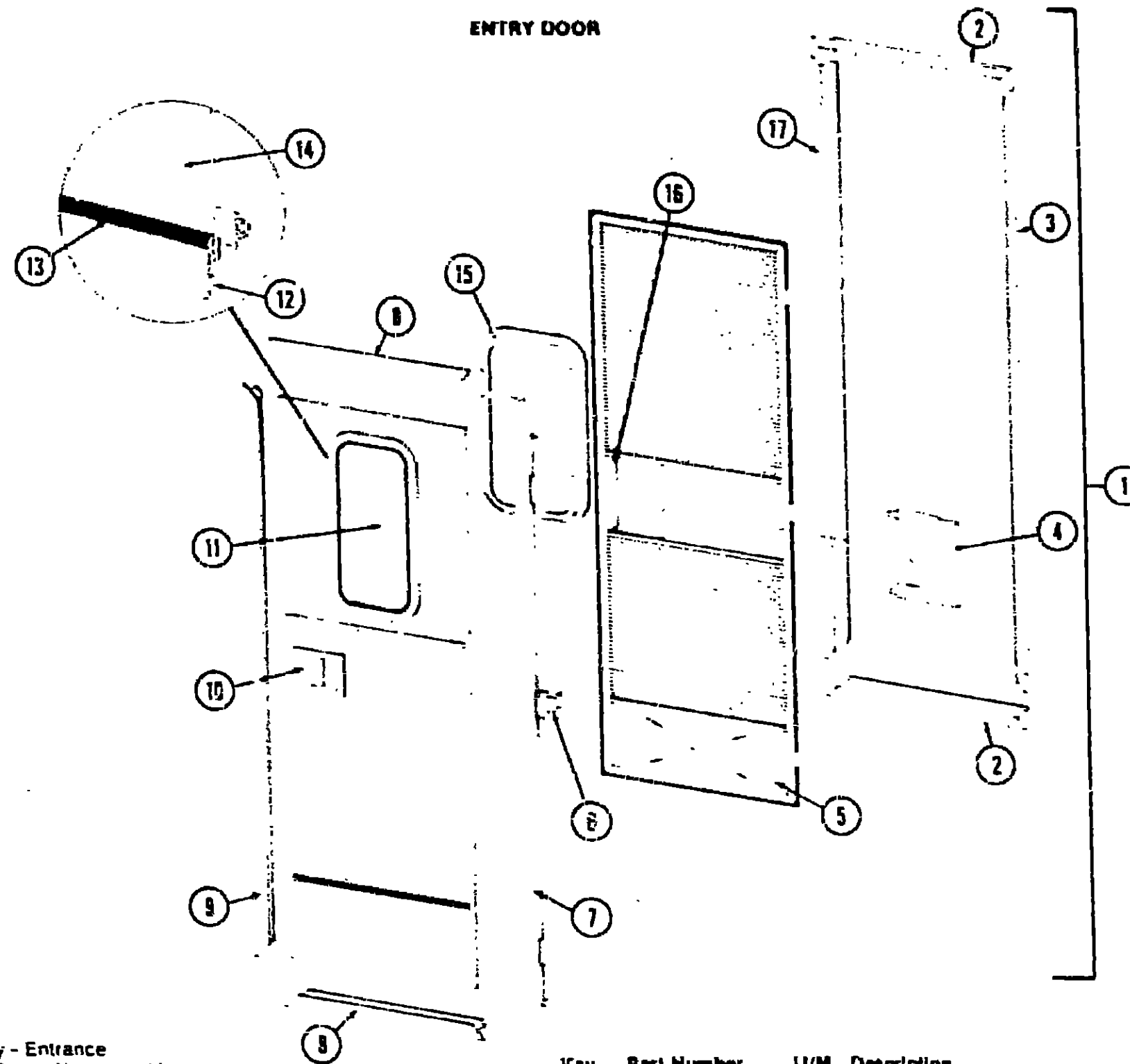
Introduction	A-1
Abbreviations	A-1
Alphabetical Index	A-2 - A-1
D25C	A-5 - B-14
D25CL	B-15 - C-24
D27C	D-1 - E-10
D27CL	E-11 - F-20
D29CURB	F-21-H-6
D27CU	H-7 - I-18
D27CUL	I-19 - K-6
D25CU	K-7 - L-16

1975 D25CL INDEX

Floor Plan	B-15 - B-16
Accessories Group	B-17 - B-18
Bath Group	B-19
Chassis Group	B-19 - B-20
Curtain, Cushion & Pad Group	B-21 - B-24
Dinette Group	C-1
Driver's Compartment Group	C-1 - C-2
Electrical Group	C-3 - C-4
Exterior Body Group	C-5 - C-8
Galley Group	C-9
Heating & Air Conditioning Group	C-10
Interior Finish Group	C-11 - C-12
LP Group	C-13
Lounge Group	C-13
Water & Sewage Group	C-14
Window, Vent & Exterior Door Group	C-15 - C-24

WINDOW, VENT AND EXTERIOR VENT GROUP (CONTINUED)

ENTRY DOOR



Key	Part Number	U/M	Description
1	031304-02-000	EA	Door Assembly - Entrance
2	023013-02-000	EA	Jamb - Entry Door - Upper and Lower
3	023012-02-000	EA	Jamb - Entry Door - Right
4	015580-01-000	EA	Slider - Screen Door - Plastic
5	016874-01-000	EA	Door Assembly - Screen - 26" x 73"
6	024650-01-000	EA	Hinge - Entry Door - Screen Door
7	017376-02-000	EA	Frame - Entry Door - Right
9	017378-02-000	EA	Frame - Entry Door - Upper and Lower
9	017377-02-000	EA	Frame - Entry Door - Left
10	024094-01-000	EA	Latch - Entry Door - Hartwell
11	041875-03-000	EA	Window Assembly - Anodized - Radius Picture - 13" x 23" - w/o Inside Frame - Requires Z Style Inside Frame
12	004363-01-000	FT	Tape - Foam - 3/16" x 1/2" - Gray
13	002309-02-000	FT	Spline - Glass - 1/8" - Black
14	002161-01-000	EA	Glass - Picture - 1/8" x 12" x 22" - Gray
15	041696-02-000	EA	Frame - Window Inside - 13" x 23" - Not Included w/Window Assembly - T Style

Key	Part Number	U/M	Description
-	017753-01-000	EA	Frame - Window Inside - 13" x 23" - Not Included w/Window Assembly - Z Style
16	015581-01-000	EA	Cap - Screen Door - Plastic
17	023011-02-000	EA	Jamb - Entry Door - Left
-	002702-01-000	FT	Weatherstrip - Bulb T - Vinyl
-	002703-01-000	FT	Weatherstrip - Bulb L - Vinyl
-	002712-01-000	EA	Hinge Pin - Upper
-	002718-01-000	EA	Hinge Pin - Lower
-	002002-01-000	EA	Drip Cap - 31" - Aluminum
-	003011-01-000	EA	Lock - Deadbolt - 2 3/4"
-	039863-01-000	EA	Catch Assembly - Single Roller w/Strike - Screen Door
-	007016-01-000	EA	Catch - Elbow - Spring Loaded - Screen Door
-	-	-	Not Illustrated

1975 WINNEBAGO TABLE OF CONTENTS

Introduction	A-1
Abbreviations	A-1
Alphabetical Index	A-2 - A-4
D25C	A-5 - B-14
D25CL	B-15 - C-24
D27C	D-1 - E-10
D27CL	E-11 - F-20
D29CURB	F-21 - H-8
D27CU	H-7 - I-18
D27CUL	I-19 - K-6
D25CU	K-7 - L-16

1975 D25CL INDEX

Floor Plan	B-15 - B-16
Accessories Group	B-17 - B-18
Bath Group	B-19
Chassis Group	B-19 - B-20
Curtain, Cushion & Pad Group	B-21 - B-24
Dinette Group	C-1
Driver's Compartment Group	C-1 - C-2
Electrical Group	C-3 - C-4
Exterior Body Group	C-5 - C-8
Galley Group	C-9
Heating & Air Conditioning Group	C-10
Interior Finish Group	C-11 - C-12
LP Group	C-13
Lounge Group	C-13
Water & Sewage Group	C-14
Window, Vent & Exterior Door Group	C-15 - C-24