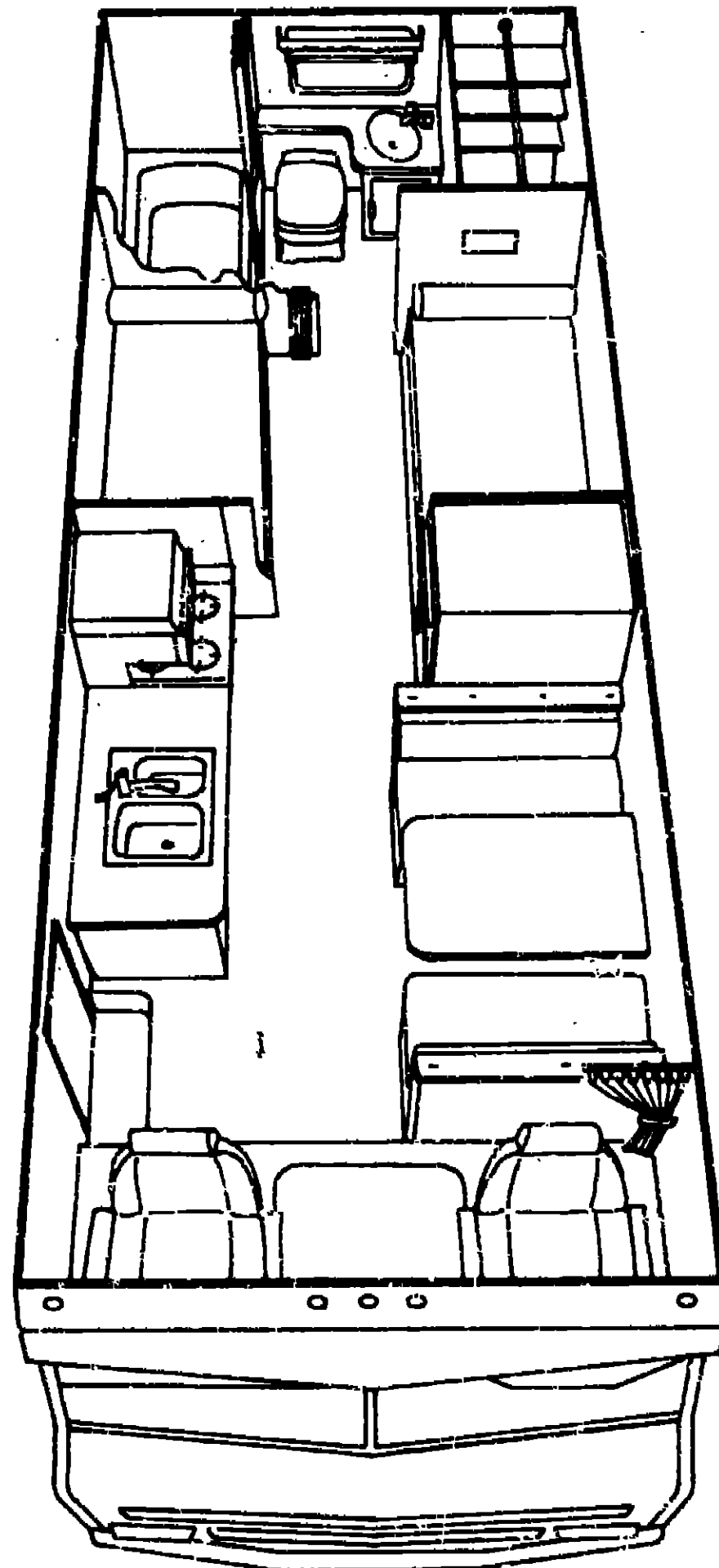


1975 D25C



1975 WINNEBAGO TABLE OF CONTENTS

| | |
|--------------------|-------------|
| Introduction | A-1 |
| Abbreviations | A-1 |
| Alphabetical Index | A-2 - A-4 |
| D25C | A-5 - B-14 |
| D25CL | B-15 - C-24 |
| D27C | D-1 - E-10 |
| D27CL | E-11 - F-20 |
| D29CURB | F-21 - H-6 |
| D27CU | H-7 - I-18 |
| D27CUL | I-19 - K-8 |
| D25CU | K-7 - L-16 |

1975 D25C INDEX

| | |
|------------------------------------|-------------|
| Floor Plan | A-5 - A-6 |
| Accessories Group | A-7 - A-8 |
| Bath Group | A-9 |
| Chassis Group | A-9 - A-10 |
| Curtain, Cushion & Pad Group | A-11 - A-14 |
| Dinette Group | A-15 |
| Driver's Compartment Group | A-15 - A-16 |
| Electrical Group | A-17 - A-18 |
| Exterior Body Group | A-19 - A-22 |
| Galley Group | A-23 |
| Heating & Air Conditioning Group | A-24 |
| Interior Finish Group | B-1 - B-2 |
| LP Group | B-3 |
| Lounge Group | B-3 |
| Water & Sewage Group | B-4 |
| Window, Vent & Exterior Door Group | B-5 - B-14 |

ACCESSORIES GROUP

RADIOS AND RELATED COMPONENTS

| Key | Part Number | U/M | Description |
|-----|---------------|-----|---|
| | 031105-01-000 | EA | Antenna - Radio - Side Mount |
| | 031105-01-709 | EA | Clip - Retaining - Side Mount Antenna |
| | 039879-01-000 | EA | Kit - Radio Speaker - 5 1/4" w/Cover |
| | 049730-01-000 | EA | Radio - AM w/Fader - Clarion |
| | 049731-01-000 | EA | Radio - Am/FM/MPX - w/Fader - Clarion |
| | 049732-01-000 | EA | Radio - AM/FM/MPX - 8 Track - w/Fader - Clarion |
| | 048146-01-000 | EA | Radio - CB Messenger 123-A - Johnson |
| | 048153-01-000 | EA | Antenna - CB - Camper-Style |

SPEED CONTROL AND COMPONENTS

| Key | Part Number | U/M | Description |
|-----|---------------|-----|--|
| | 024746-01-000 | EA | Speed Control Package - 440 C.I.D. - Dodge - Lever Type - A-Body |
| | 007255-01-000 | EA | Regulator Asm. |
| | 024746-01-701 | EA | Servo Asm. |
| | 024746-01-702 | EA | Switch - Engage Lever |
| | 007255-01-703 | EA | Cable Asm. - Transmission - 42" |
| | 007255-01-704 | EA | Switch Asm. - Decelerate |
| | 024746-01-700 | EA | Relay - Speed Control |

GENERATORS AND INSTALLATION KITS

| Key | Part Number | U/M | Description |
|-----|---------------|-----|---|
| | 007061-01-000 | EA | Generator - Onan - 4000 Watt - CCK w/Mounting Bolts and Rubber Feet |
| | 007058-01-000 | EA | Generator - Onan - 5000 Watt - CCK w/Mounting Bolts and Rubber Feet |
| | 039237-01-000 | EA | Kit - 4000, 5000 Onan Installation w/o Bolt Package and Rubber Feet |
| | 007290-01-000 | EA | Tailpipe - Generator Exhaust - 1.62" x 17" |
| | 024732-01-000 | EA | Steel Tubing - 1.5" O.D. - 18 Gauge - 34" |
| | 007292-01-000 | EA | Muffler - Generator |
| | 007131-01-000 | EA | Hanger - Tailpipe |
| | 007125-01-000 | EA | Clamp Asm. - Muffler - 1.62" Dia. |
| | 007125-03-000 | EA | Clamp Asm. - Muffler - 1.50" Dia. |
| | 042865-01-000 | EA | Scoop - Generator Air |
| | 007067-01-000 | SF | Insulation - Fiberglass - 1" |
| | 007059-02-000 | EA | Bolt Package |
| | 007059-03-000 | EA | Foot - Rubber - Generator Mounting |
| | 031035-01-000 | EA | Gauge - Hourmeter |
| | 024976-01-000 | EA | Switch - Generator - w/o Circuit Board |
| | 045225-01-000 | EA | Tray - Sliding - Generator |

FRONT BUNK, CABINET AND HARDWARE

| Key | Part Number | U/M | Description |
|-----|---------------|-----|---|
| | 031471-03-700 | EA | Cabinet - Glide-Away - Overhead |
| | 031471-03-701 | EA | Door - Sliding - Glide-Away - Front Overhead |
| | 009148-01-000 | EA | Fingerpull |
| | 009785-01-000 | FT | Track - Sliding Door - Upper - Dark Brown Plastic |
| | 009786-01-000 | FT | Track - Sliding Door - Lower - Dark Brown Plastic |
| | 048392-01-000 | EA | Bunk - Front - Overhead (Board w/Rails) |
| | 023812-01-000 | EA | Rail - Bunk - Brown - 84.50 |
| | 042988-01-000 | EA | Support Asm. - Left & Right - Overhead Bunk |
| | 017641-01-000 | EA | Stabilizer Asm. - Bunk |
| | 038986-01-000 | EA | Strap - Hold-Up - Front Bunk |
| | 040071-01-000 | EA | Support - Bunk - Overhead Seat Belt |
| | 022540-01-000 | EA | Support - Asm. - Bunk Strap - 20" |
| | 006076-01-000 | EA | Ladder - Bunk - 66" - Aluminum |

ACCESSORIES GROUP (CONTINUED)

MISCELLANEOUS ACCESSORIES

| Key | Part Number | U/M | Description |
|-----|---------------|-----|---|
| | 044148-01-000 | EA | TV - Color - 13" - Sharp |
| | 006093-01-000 | EA | Jack - TV - Brown |
| | 006053-01-000 | EA | Antenna - TV - Braund Delux |
| | 031450-01-000 | EA | Vacuum - Wall Mount w/Attachments |
| | 700108-02-000 | EA | Vacuum - Bags (used with 031450-01-000) |
| | 035420-01-000 | EA | Fan - Defroster |
| | 041944-01-000 | EA | Fire Extinguisher |
| | 007035-01-000 | EA | Ladder Asm. - w/Luggage Rack - Square |
| | 007035-02-000 | EA | Rack - Pads, Caps, Blocks F/Square |
| | 007035-03-000 | EA | Ladder Asm. - Square |
| | 040899-01-000 | EA | Ladder Asm. - w/Luggage Rack - Round |
| | 040899-02-000 | EA | Ladder Asm. - Round |
| | 007017-01-000 | EA | Mat - Floor - Black Rubber |
| | 007038-01-000 | EA | Mat - Floor - Black Rubber - 10 1/2" x 26" |
| | 023766-01-000 | EA | Mud Flap |
| | 034410-01-000 | EA | Cover - Tire - 34" White - Brown - "W" |
| | 009011-01-000 | EA | Lock - Dead Bolt - 2 3/4" |
| | 022534-01-000 | EA | Guard Asm. - Bumper - Front - Right |
| | 022535-01-000 | EA | Guard Asm. - Bumper - Front - Left |
| | 007268-01-000 | EA | Guard - Bumper - Chrome (Rear) |
| | 006113-01-000 | EA | Jack - Hydraulic - 5 Ton |
| | 006091-01-000 | EA | Tray - Cutlery - Gold |
| | 006060-01-000 | EA | Purification System - Everpure |
| | 006050-02-000 | EA | Cartridge - Replacement |
| | 022490-01-000 | EA | Mirror - Outside - w/Convex - Stainless Steel |
| | 700023-04-000 | EA | Mirror - Convex - 6" x 4" |

1975 WINNEBAGO TABLE OF CONTENTS

| | |
|--------------------|-------------|
| Introduction | A-1 |
| Abbreviations | A-1 |
| Alphabetical Index | A-2 - A-4 |
| D25C | A-5 - B-14 |
| D25CL | B-15 - C-24 |
| D27C | D-1 - E-10 |
| D27CL | E-11 - F-20 |
| D29CURB | F-21-H-6 |
| D27CU | H-7 - I-18 |
| D27CUL | I-19 - K-6 |
| D25CU | K-7 - L-16 |

1975 D25C INDEX

| | |
|------------------------------------|-------------|
| Floor Plan | A-5 - A-6 |
| Accessories Group | A-7 - A-8 |
| Bath Group | A-9 |
| Chassis Group | A-9 - A-10 |
| Curtain, Cushion & Pad Group | A-11 - A-14 |
| Dinette Group | A-15 |
| Driver's Compartment Group | A-15 - A-16 |
| Electrical Group | A-17 - A-18 |
| Exterior Body Group | A-19 - A-22 |
| Galley Group | A-23 |
| Heating & Air Conditioning Group | A-24 |
| Interior Finish Group | B-1 - B-2 |
| LP Group | B-3 |
| Lounge Group | B-3 |
| Water & Sewage Group | B-4 |
| Window, Vent & Exterior Door Group | B-5 - B-14 |

BATH GROUP

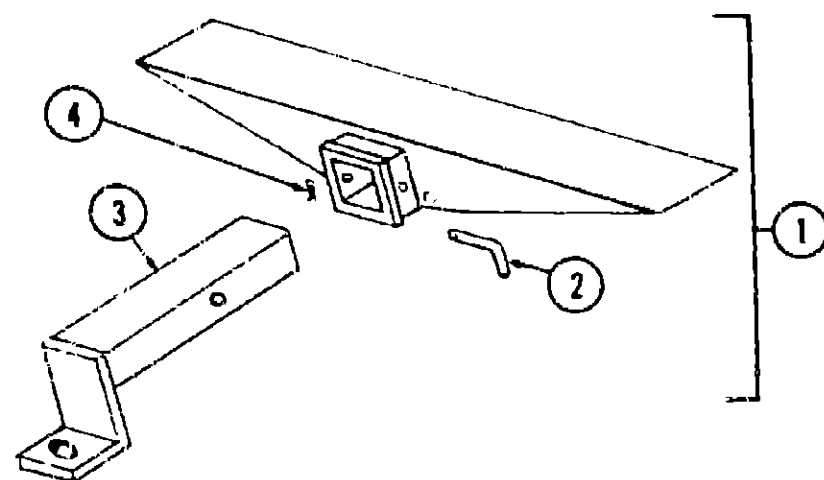
| Key | Part Number | U/M | Description |
|-----|---------------|-----|---|
| | 033796-01-000 | EA | Bathtub - White - Plastic |
| | 031558-01-000 | EA | Faucet - 4" - Tub and Shower |
| | 037581-01-000 | EA | Backflow Preventor |
| | 011060-01-000 | EA | Showerhead - w/40" Hose |
| | 011069-01-000 | EA | Tallpiece - Drain - 1 1/4" x 4" - Brass |
| | 011066-01-000 | EA | Strainer - Drain - Shower Pan |
| | 011028-01-000 | EA | Lavatory - Sink - Oval - Stainless Steel |
| | 006098-01-000 | EA | Mirror - 1/8" x 9" x 16" - Beveled |
| | 009089-01-000 | EA | Clip - Mirror - Plastic - w/Screw |
| | 009133-02-000 | EA | Bar - Towel - Rack - 18" - Plastic |
| | 023449-01-000 | EA | Support - Towel Rack - Chrome (2 used per bar) |
| | 009134-01-000 | EA | Holder - Tissue |
| | 045730-01-000 | EA | Curtain - Shower - White |
| | 038472-01-000 | EA | Track - Curtain - Shower |
| | 009136-01-000 | EA | Pin - Shower - Curtain |
| | 031563-01-000 | EA | Door - Folding - 27 1/2" x 77 3/8" Opening - 150 Cherry |
| | 009779-01-000 | FT | U-Channel - 1 1/8" Dark Brown - Plastic |

BATHTUB AND RELATED HARDWARE

| Key | Part Number | U/M | Description |
|-----|---------------|-----|---|
| | 031056-01-700 | EA | Cabinet - Medicine |
| | 031058-01-701 | EA | Door - Medicine Cabinet - 12 1/8" x 36" - w/o Hardware |
| | 045700-01-000 | EA | Mirror - 1/8" x 9" x 25" |
| | 031090-04-700 | EA | Cabinet - Lavatory - w/o Top and Door |
| | 031090-04-701 | EA | Door - Lavatory - w/o Hardware - 12.5" x 29 3/4" |
| ** | 033327-01-000 | EA | Toilet - Electra Magic w/o Seat and Lid |
| ** | 039341-01-000 | EA | Toilet - Aqua Magic Model SH - White - w/o Seat and Lid |

** The illustrated parts breakdown for this item is provided on the Common Items Fiche.

CHASSIS GROUP

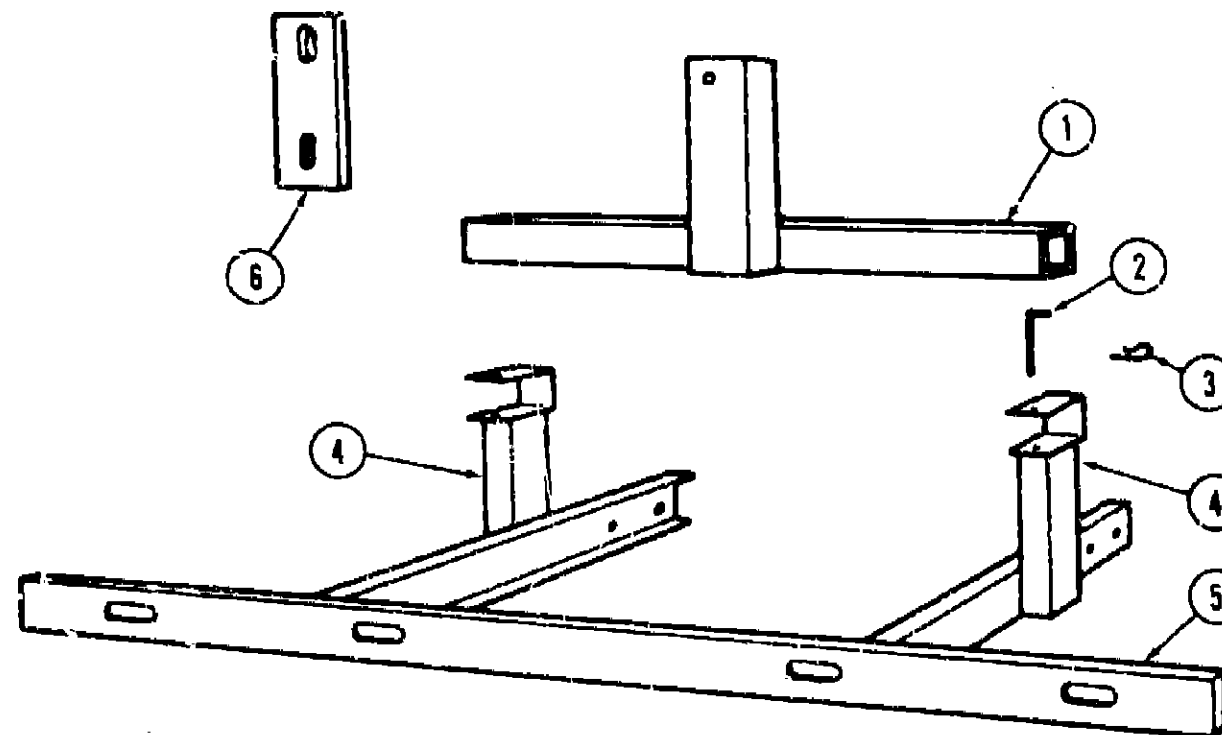


| Key | Part Number | U/M | Description |
|-----|---------------|-----|------------------------------|
| 1 | 023695-01-700 | EA | Hitch Kit - w/o Drawbar |
| 2 | 034512-01-000 | EA | Pin - Locking - Drawbar |
| 3 | 024876-01-000 | EA | Drawbar Asm. - Trailer Hitch |
| 4 | 034513-01-000 | EA | Pin - Hitch - 3/16" Wire |

A-9

CHASSIS GROUP (CONTINUED)

| Key | Part Number | U/M | Description |
|-----|---------------|-----|---|
| | 007263-01-000 | EA | Bumper - Center Section - Front - Chrome |
| | 007265-01-000 | EA | Bumper - Outer Sections - Front - Chrome |
| | 023496-01-000 | EA | Bracket - Bumper - Front |
| | 023520-04-000 | EA | Ear - Bumper - Black - Right or Left |
| | 022534-01-000 | EA | Guard Asm. - Front Bumper - Right |
| | 022535-01-000 | EA | Guard Asm. - Front Bumper - Left |
| | 021598-01-000 | EA | Bumper - Center Section - Rear - Chrome |
| | 007265-01-000 | EA | Bumper - Outer Sections - Rear - Chrome |
| | 022531-01-000 | EA | Bumper - Slot(s) Rear - Reinforcement |
| | 007268-01-000 | EA | Guard - Bumper - Chrome - Rear |
| | 014309-01-000 | EA | Shroud - Fuel Fill - Double - Black - Plastic |
| | 015253-01-000 | EA | LP Compartment - 40 lb. - Black Plastic |
| | 013362-01-000 | EA | Compartment - Power Cord - Black Plastic |
| | 023770-01-000 | EA | Wheel Well - Plastic |
| | 038459-01-000 | EA | Tank - Auxiliary Fuel - 22.9 Gallon |
| | 038460-01-000 | EA | Sending Unit - Fuel - 78 Ohm |
| | 024611-02-000 | EA | Cap - Gas - Pressure - 1.50 - Chrome |
| | 024591-02-000 | EA | Fill - Gas - w/Vent - 4.5" |
| | 024138-01-000 | FT | Hose - Fuel - 5/16" I.D. |
| | 007111-01-000 | FT | Hose - Fuel - 2 1/4" I.D. |
| | 007249-01-000 | EA | Tailpipe - Curved - 2 1/2" x 58" |
| | 007269-01-000 | EA | Bracket - License |
| | 033366-02-029 | EA | Tie Down - Battery - Steel |
| | 020275-01-000 | EA | Bracket - Tie Down - Short Battery Box |
| | 021276-01-000 | EA | Tray - Battery - Steel |
| | 022870-01-000 | EA | Support - Roll Bar |
| | 019193-01-000 | EA | Cover Asm. - Radiator |
| | 017740-01-000 | EA | Hood Board - Steel - Front - Left |
| | 017201-01-000 | EA | Hood Board - Steel - Front - Right |



| Key | Part Number | U/M | Description |
|-----|---------------|-----|-------------------------------------|
| 1 | 016924-01-000 | EA | Mounting Asm. - Tube - Tire Carrier |
| 2 | 005522-01-000 | EA | Fin - Hitch - 5/32" Wire |
| 3 | 015365-01-000 | EA | Pin - Tire Carrier |
| 4 | 021616-02-000 | EA | Bracket - Tire Carrier - Left |
| 4 | 021616-03-000 | EA | Bracket - Tire Carrier - Right |
| 5 | 046043-05-000 | EA | Bracket Asm. - Bumper |
| 6 | 040974-02-000 | EA | Retaining Bar - Spare Tire |

A-10

1975 WINNEBAGO TABLE OF CONTENTS

| | |
|--------------------|-------------|
| Introduction | A-1 |
| Abbreviations | A-1 |
| Alphabetical Index | A-2 - A-4 |
| D25C | A-5 - B-14 |
| D25CL | B-15 - C-24 |
| D27C | D-1 - E-10 |
| D27CL | E-11 - F-20 |
| D29CURB | F-21-H-6 |
| D27CU | H-7 - I-18 |
| D27CUL | I-19 - K-6 |
| D25CU | K-7 - L-16 |

1975 D25C INDEX

| | |
|------------------------------------|-------------|
| Floor Plan | A-5 - A-6 |
| Accessories Group | A-7 - A-8 |
| Bath Group | A-9 |
| Chassis Group | A-9 - A-10 |
| Curtain, Cushion & Pad Group | A-11 - A-14 |
| Dinette Group | A-15 |
| Driver's Compartment Group | A-15 - A-16 |
| Electrical Group | A-17 - A-18 |
| Exterior Body Group | A-19 - A-22 |
| Galley Group | A-23 |
| Heating & Air Conditioning Group | A-24 |
| Interior Finish Group | B-1 - B-2 |
| LP Group | B-3 |
| Lounge Group | B-3 |
| Water & Sewage Group | B-4 |
| Window, Vent & Exterior Door Group | B-5 - B-14 |

CURTAIN, CUSHION AND PAD GROUP

CURTAINS

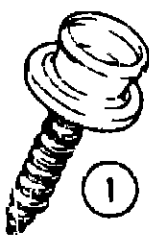
| Key | Part Number | U/M | Description |
|-----|---------------|-----|--|
| | 041143-53-000 | EA | Curtain - Right - Over Drape - 25" x 45" - Green - Finished Size |
| | 041143-54-000 | EA | Curtain - Right - Overdrape - 25" x 45" - Gold - Finished Size |
| | 041143-55-000 | EA | Curtain - Right - Over Drape - 25" x 45" - Brown - Finished Size |
| | 041144-53-000 | EA | Curtain - Left - Over Drape - 25" x 45" - Green - Finished Size |
| | 041144-54-000 | EA | Curtain - Left - Over Drape - 25" x 45" - Gold - Finished Size |
| | 041144-55-000 | EA | Curtain - Left - Over Drape - 25" x 45" - Brown - Finished Size |
| | 040406-02-000 | EA | Curtain - Under Drape - 25" x 45" - Ivory - Finished Size |
| | 040406-24-000 | EA | Curtain - Under Drape - 26 1/2" x 45" - Ivory - Finished Size |
| | 041243-03-000 | EA | Curtain - Wraparound - 30" x 104" Brown - Finished Size - Right |
| | 041243-04-000 | EA | Curtain - Wraparound - 30" x 104" Green - Finished Size - Right |
| | 041243-05-000 | EA | Curtain - Wraparound - 30" x 104" Gold - Finished Size - Right |
| | 041244-03-000 | EA | Curtain - Wraparound - 30" x 104" Brown - Finished Size - Left |
| | 041244-04-000 | EA | Curtain - Wraparound - 30" x 104" Green - Finished Size - Left |
| | 041244-05-000 | EA | Curtain - Wraparound - 30" x 104" Gold - Finished Size - Left |
| | 033315-34-000 | EA | Curtain - Privacy - 36" x 72" - Brown - Finished Size |
| | 033315-35-000 | EA | Curtain - Privacy - 36" x 72" - Green - Finished Size |
| | 033315-36-000 | EA | Curtain - Privacy - 36" x 72" - Gold - Finished Size |
| | 033311-07-000 | EA | Curtain - Blackout - 58" x 96" - Oxen - Finished Size |

CURTAIN TIE BACKS

| Key | Part Number | U/M | Description |
|-----|---------------|-----|------------------------|
| | 031843-08-000 | EA | Tie Back - 18" - Oxen |
| | 031843-26-000 | EA | Tie Back - 18" - Green |
| | 031843-27-000 | EA | Tie Back - 18" - Gold |
| | 031843-28-000 | EA | Tie Back - 18" - Brown |

CURTAIN HARDWARE

| Key | Part Number | U/M | Description |
|-----|---------------|-----|---|
| | 052327-04-236 | EA | Curtain Track - Alum. - Brown - 89" w/Holes |
| | 009107-01-000 | EA | Guide - Nylon Snap |
| | 009701-01-000 | EA | Carrier - Curtain - L-Rod - w/Rollers |
| | 009702-01-000 | EA | End Stop - Curtain Track (used with L-Rod) |
| | 029100-01-000 | EA | Hook - Curtain - Privacy |
| | 009136-01-000 | EA | Hook - Shower Curtain |
| | 020438-01-000 | EA | Track - Wraparound Curtain - Left |
| | 021495-01-000 | EA | Track - Wraparound Curtain - Right |
| | 018031-42-000 | EA | Track - Curtain - L-Rod - 90" Aluminum |
| | 037872-01-000 | EA | Rod - Curtain - Double Flat - Extends - 48" - 84" |
| | 038782-01-000 | EA | Rod - Curtain - Double Flat - Extends - 28" - 48" |



| Key | Part Number | U/M | Description |
|-----|---------------|-----|--|
| 1 | 029130-01-000 | EA | Socket - Snap Fastener (Tie Backs) |
| 2 | 029155-01-000 | EA | Cap - Snap - 1.56" Dia. x .17" Barrel (Tie Back) |
| 3 | 029156-01-000 | EA | Socket - Snap Fastener (Tie Back) |
| 4 | 029092-01-000 | EA | Stud - Nickel Finish |
| 5 | 029093-01-000 | EA | Eyelet - Nickel Finish |

CURTAIN, CUSHION AND PAD GROUP (CONTINUED)

VALANCES AND SHADES

| Key | Part Number | U/M | Description |
|-----|---------------|-----|---|
| | 038328-13-000 | EA | Valance - 6" x 76" - Green - Finished Size |
| | 038328-14-000 | EA | Valance - 6" x 76" - Gold - Finished Size |
| | 038328-15-000 | EA | Valance - 6" x 76" - Brown - Finished Size |
| | 038328-16-000 | EA | Valance - 6" x 50" - Green - Finished Size |
| | 038328-17-000 | EA | Valance - 6" x 50" - Gold - Finished Size |
| | 038328-18-000 | EA | Valance - 6" x 50" - Brown - Finished Size |
| | 031816-01-000 | EA | Shade - Roll-Up - 27" x 38" Long - Off White - Entry Door |
| | 031816-09-000 | EA | Shade - Roll-Up - 31.62" x 30" Long - Off White - Galley |

DINETTE CUSHIONS - BOX STYLE

| Key | Part Number | U/M | Description |
|-----|---------------|-----|---|
| | 031505-37-000 | EA | Cushion - Back - 14 1/4" x 38" x 5" - Green |
| | 031505-37-037 | EA | Cover - Back 14 1/4" x 38" x 5" - Green |
| | 031505-38-000 | EA | Cushion - Back - 14 1/4" x 38" x 5" - Gold |
| | 031505-38-038 | EA | Cover - Back - 14 1/4" x 38" x 5" - Gold |
| | 031505-39-000 | EA | Cushion - Back - 14 1/4" x 38" x 5" - Brown |
| | 031505-39-039 | EA | Cover - Back - 14 1/4" x 38" x 5" - Brown |
| | 031505-40-000 | EA | Cushion - Bottom - 21 3/4" x 38" x 5" - Green |
| | 031505-40-040 | EA | Cover - Bottom - 21 3/4" x 38" x 5" - Green |
| | 031505-41-000 | EA | Cushion - Bottom - 21 3/4" x 38" x 5" - Gold |
| | 031505-41-041 | EA | Cover - Bottom - 21 3/4" x 38" x 5" - Gold |
| | 031505-42-000 | EA | Cushion - Bottom - 21 3/4" x 38" x 5" - Brown |
| | 031505-42-042 | EA | Cover - Bottom - 21 3/4" x 38" x 5" - Brown |

DINETTE CUSHIONS - WRAPAROUND STYLE

| Key | Part Number | U/M | Description |
|-----|---------------|-----|---|
| | 039931-09-000 | EA | Cushion - Bottom - 21 3/4" x 38" x 5" - Green |
| | 039931-09-009 | EA | Cover - Bottom - 21 3/4" x 38" x 5" - Green |
| | 039931-10-000 | EA | Cushion - Bottom - 21 3/4" x 38" x 5" - Gold |
| | 039931-10-010 | EA | Cover - Bottom - 21 3/4" x 38" x 5" - Gold |
| | 039931-11-000 | EA | Cushion - Bottom - 21 3/4" x 38" x 5" - Brown |
| | 039931-11-011 | EA | Cover - Bottom - 21 3/4" x 38" x 5" - Brown |
| | 039931-12-000 | EA | Cushion - Back - 14 1/4" x 38" x 5" - Green |
| | 039931-12-012 | EA | Cover - Back - 14 1/4" x 38" x 5" - Green |
| | 039931-13-000 | EA | Cushion - Back - 14 1/4" x 38" x 5" - Gold |
| | 039931-13-013 | EA | Cover - Back - 14 1/4" x 38" x 5" - Gold |
| | 039931-14-000 | EA | Cushion - Back - 14 1/4" x 38" x 5" - Brown |
| | 039931-14-014 | EA | Cover - Back - 14 1/4" x 38" x 5" - Brown |

BUNK MATTRESSES

| Key | Part Number | U/M | Description |
|-----|---------------|-----|---|
| | 031503-17-000 | EA | Mattress - 42" x 81 1/4" x 4" Green - Flexsteel |
| | 031503-18-000 | EA | Mattress - 42" x 81 1/4" x 4" Gold - Flexsteel |
| | 031503-19-000 | EA | Mattress - 42" x 81 1/4" x 4" Brown - Flexsteel |
| | 031511-10-000 | EA | Mattress - 29" x 75" x 2" Ticking - 2 Fold |
| | 031512-01-000 | EA | Mattress - 41" x 89" x 2" Ticking - 3 Fold |

1975 WINNEBAGO TABLE OF CONTENTS

| | |
|--------------------|-------------|
| Introduction | A-1 |
| Abbreviations | A-1 |
| Alphabetical Index | A-2 - A-4 |
| D25C | A-5 - B-14 |
| D25CL | B-15 - C-24 |
| D27C | D-1 - E-10 |
| D27CL | E-11 - F-20 |
| D29CURB | F-21-H-6 |
| D27CU | H-7 - I-18 |
| D27CUL | I-19 - K-6 |
| D25CU | K-7 - L-16 |

1975 D25C INDEX

| | |
|------------------------------------|-------------|
| Floor Plan | A-5 - A-6 |
| Accessories Group | A-7 - A-8 |
| Bath Group | A-9 |
| Chassis Group | A-9 - A-10 |
| Curtain, Cushion & Pad Group | A-11 - A-14 |
| Dinette Group | A-15 |
| Driver's Compartment Group | A-15 - A-16 |
| Electrical Group | A-17 - A-18 |
| Exterior Body Group | A-19 - A-22 |
| Galley Group | A-23 |
| Heating & Air Conditioning Group | A-24 |
| Interior Finish Group | B-1 - B-2 |
| LP Group | B-3 |
| Lounge Group | B-3 |
| Water & Sewage Group | B-4 |
| Window, Vent & Exterior Door Group | B-5 - B-14 |

CURTAIN, CUSHION AND PAD GROUP (CONTINUED)

LOUNGE CUSHIONS AND COVERS

| Key | Part Number | U/M | Description |
|-----|---------------|-----|--------------------------------------|
| | 031516-19-000 | EA | Cushion - 30" x 76" x 5" - Green |
| | 031516-19-019 | EA | Cover - 30" x 76" x 5" - Green |
| | 031516-20-000 | EA | Cushion - 30" x 76" x 5" - Gold |
| | 031516-20-020 | EA | Cover - 30" x 76" x 5" - Gold |
| | 031516-21-000 | EA | Cushion - 30" x 76" x 5" - Brown |
| | 031516-21-021 | EA | Cover - 30" x 76" x 5" - Brown |
| | 039693-04-000 | EA | Bedspreads - Twin - Green |
| | 039693-05-000 | EA | Bedspreads - Twin - Gold |
| | 039693-06-000 | EA | Bedspreads - Twin - Brown |
| | 038478-01-000 | EA | Bolster - 9 1/2" x 30" Green - Wedge |
| | 038478-01-001 | EA | Cover - 9 1/2" x 30" Green - Wedge |
| | 038478-02-000 | EA | Bolster - 9 1/2" x 30" Gold - Wedge |
| | 038478-02-002 | EA | Cover - 9 1/2" x 30" Gold - Wedge |
| | 038478-03-000 | EA | Bolster - 9 1/2" x 30" Brown - Wedge |
| | 038478-03-003 | EA | Cover - 9 1/2" x 30" Brown - Wedge |
| | 038478-04-000 | EA | Bolster - 9 1/2" x 20" Green - Round |
| | 038478-04-004 | EA | Cover - 9 1/2" x 20" Green - Round |
| | 038478-05-000 | EA | Bolster - 9 1/2" x 20" Gold - Round |
| | 038478-05-005 | EA | Cover - 9 1/2" x 20" Gold - Round |
| | 038478-06-000 | EA | Bolster - 9 1/2" x 20" Brown - Round |
| | 038478-06-006 | EA | Cover - 9 1/2" x 20" Brown - Round |

BUCKET SEATS

| Key | Part Number | U/M | Description |
|-----|---------------|-----|--|
| | 033897-04-000 | EA | Seat Asm. - Single w/skirt - Green - w/o Slides, Arm Rest or Head Rest |
| | 033897-05-000 | EA | Seat Asm. - Single w/skirt - Gold - w/o Slides, Arm Rest or Head Rest |
| | 033897-06-000 | EA | Seat Asm. - Single w/skirt - Brown - w/o Slides, Arm Rest or Head Rest |
| | 033975-04-000 | EA | Cover - Single Seat - Back - Green |
| | 033975-05-000 | EA | Cover - Single Seat - Back - Gold |
| | 033975-06-000 | EA | Cover - Single Seat - Back - Brown |
| | 033977-04-000 | EA | Cover - Single Seat - Bottom - Green |
| | 033977-05-000 | EA | Cover - Single Seat - Bottom - Gold |
| | 033977-06-000 | EA | Cover - Single Seat - Bottom - Brown |
| | 038645-01-000 | EA | Skirt - Single Seat - Green |
| | 038645-02-000 | EA | Skirt - Single Seat - Gold |
| | 038645-03-000 | EA | Skirt - Single Seat - Brown |
| | 033902-04-000 | EA | Seat Asm. - Double w/Skirt - Green - w/o Slides, Armrest or Headrest |
| | 033902-05-000 | EA | Seat Asm. - Double w/Skirt - Gold - w/o Slides, Armrest or Headrest |
| | 033902-06-000 | EA | Seat Asm. - Double w/Skirt - Brown - w/o Slides, Armrest or Headrest |
| | 033983-04-000 | EA | Cover - Double Seat Back - Green |
| | 033983-05-000 | EA | Cover - Double Seat Back - Gold |
| | 033983-06-000 | EA | Cover - Double Seat Back - Brown |
| | 033984-04-000 | EA | Cover - Double Seat Bottom - Green |
| | 033984-05-000 | EA | Cover - Double Seat Bottom - Gold |
| | 033984-06-000 | EA | Cover - Double Seat Bottom - Brown |
| | 031133-01-000 | EA | Protector - Driver Seat - 6" Brown Plastic |

CURTAIN, CUSHION AND PAD GROUP (CONTINUED)

ARMREST AND HEADREST

| Key | Part Number | U/M | Description |
|-----|---------------|-----|----------------------------------|
| | 033905-02-000 | EA | Headrest Asm. - Green |
| | 033905-03-000 | EA | Headrest Asm. - Gold |
| | 033905-04-000 | EA | Headrest Asm. - Brown |
| | 033903-02-000 | EA | Armrest Asm. - Green - Right |
| | 033904-02-000 | EA | Armrest Asm. - Green - Left |
| | 033903-03-000 | EA | Armrest Asm. - Gold - Right |
| | 033904-03-000 | EA | Armrest Asm. - Gold - Left |
| | 033903-04-000 | EA | Armrest Asm. - Brown - Right |
| | 033904-04-000 | EA | Armrest Asm. - Brown - Left |
| | 029136-01-000 | EA | Grommet - Headrest - Brown Nylon |
| | 029038-01-000 | EA | Clips - Retaining Armrest - 3/8" |
| | 029039-01-000 | EA | Clips - Retaining Armrest - 1/2" |

PADS

| Key | Part Number | U/M | Description |
|-----|---------------|-----|--|
| | 033486-03-000 | EA | Pad Asm. - Dinette Back Frame - 74" Oxen Tan Vinyl |
| | 023631-02-000 | EA | Buttons - 1/2" Padded w/Nail - Oxen Tan Vinyl |
| | 031672-01-000 | EA | Pad Asm. - Dinette Wall - Oxen Tan Vinyl |
| | 038777-01-000 | EA | Cover Asm. - Toilet Seat - Green |
| | 024953-04-000 | EA | Cover Asm. - Toilet Seat - Gold |
| | 038777-03-000 | EA | Cover Asm. - Toilet Seat - Brown |
| | 038778-01-000 | EA | Skirt Asm. - Toilet Base - Green |
| | 038778-02-000 | EA | Skirt Asm. - Toilet Base - Gold |
| | 038778-03-000 | EA | Skirt Asm. - Toilet Base - Brown |

FABRICS

| Key | Part Number | U/M | Description |
|-----|---------------|-----|----------------------------------|
| | 037676-01-000 | YD | Fabric - Upholstery - Green |
| | 037676-02-000 | YD | Fabric - Upholstery - Gold |
| | 037676-03-000 | YD | Fabric - Upholstery - Brown |
| | 037677-01-000 | YD | Fabric - Drape - Outer - Green |
| | 037677-02-000 | YD | Fabric - Drape - Outer - Gold |
| | 037677-03-000 | YD | Fabric - Drape - Outer - Brown |
| | 039174-01-000 | YD | Fabric - Drape - Inner - Ivory |
| | 024918-02-000 | YD | Vinyl - Nonperforated - Oxen Tan |

**1975 WINNEBAGO
TABLE OF CONTENTS**

| | |
|--------------------|-------------|
| Introduction | A-1 |
| Abbreviations | A-1 |
| Alphabetical index | A-2 - A-4 |
| D25C | A-5 - B-14 |
| D25CL | B-15 - C-24 |
| D27C | D-1 - E-10 |
| D27CL | E-11 - F-20 |
| D29CURB | F-21-H-6 |
| D27CU | H-7 - I-18 |
| D27CUL | I-19 - K-6 |
| D25CU | K-7 - L-16 |

1975 D25C INDEX

| | |
|------------------------------------|-------------|
| Floor Plan | A-5 - A-6 |
| Accessories Group | A-7 - A-8 |
| Bath Group | A-9 |
| Chassis Group | A-9 - A-10 |
| Curtain, Cushion & Pad Group | A-11 - A-14 |
| Dinette Group | A-15 |
| Driver's Compartment Group | A-15 - A-16 |
| Electrical Group | A-17 - A-18 |
| Exterior Body Group | A-19 - A-22 |
| Galley Group | A-23 |
| Heating & Air Conditioning Group | A-24 |
| Interior Finish Group | B-1 - B-2 |
| LP Group | B-3 |
| Lounge Group | B-3 |
| Water & Sewage Group | B-4 |
| Window, Vent & Exterior Door Group | B-5 - B-14 |

DINETTE GROUP

| Key | Part Number | U/M | Description |
|-----|---------------|-----|--|
| | 031085-01-700 | EA | Cabinet - Dinette Seat w/o Door - Left |
| | 031087-01-700 | EA | Cabinet - Dinette Seat w/o Door - Right |
| | 031085-01-701 | EA | Door - Dinette Seat - 11 3/4" x 18.5" - w/o Hardware - Right or Left |
| | 024274-11-700 | EA | Table - Dinette - Butcher Block w/o Hardware - Wall Mount |
| | 047809-01-000 | EA | Kit - Hardware - Dinette Table - Wall Mount |
| | 047842-01-000 | EA | Kit - Table Leg - Brown |
| | 033818-02-000 | EA | Catch - Table Leg - Brown |

DRIVER'S COMPARTMENT GROUP

| Key | Part Number | U/M | Description |
|-----|---------------|-----|--|
| | 041459-01-000 | EA | Pedestal - Top - Single Seat |
| | 041460-01-000 | EA | Pedestal - Top - Double Seat |
| | 041654-01-000 | EA | Pedestal Base - Single - Double Seat - w/Tightener |
| | 038832-01-000 | EA | Rod - Seat Adjuster |
| | 007223-01-000 | EA | Adjuster Asm. - Seat w/Lock |
| | 007227-01-000 | EA | Adjuster Asm. - Seat w/o Lock |
| | 007019-01-000 | EA | Belt Asm. - Seat - 2" x 84" - Black |
| | 041322-01-000 | EA | Washer - Flat - 15/32" I.D. x 2 3/8 O.D. - Seat Belt |
| | 023660-01-000 | EA | Bracket - Seat Belt |

DASH PANEL AND COMPONENTS

| Key | Part Number | U/M | Description |
|-----|---------------|-----|--|
| | 031623-01-000 | EA | Dash Asm. - Chieftain - Complete w/Gauges and Switches |
| | 022548-02-000 | EA | Pad - Dash - Foam - Right - Oxen Tan |
| | 023242-02-000 | EA | Pad - Dash - Foam - Left - Oxen Tan |
| | 022219-01-000 | EA | Door - Glove Compartment |
| | 009118-01-000 | EA | Lock - Twist w/Nut |
| | 023892-01-000 | EA | Box - Glove Compartment - Black Fiberboard |
| | 09006-01-000 | EA | Hinge - Continuous - Aluminum 1 1/16" x 72" - Plain |
| | 034309-01-000 | EA | Chain - Bead - Glove Box Door |
| | 023834-01-000 | EA | Panel - Knee Kick - (Bottom of Dash) |
| | 024418-01-000 | EA | Lamp Asm. - Map/Gauge |
| | 007308-01-000 | EA | Clock - Dash |
| | 007037-01-000 | EA | Lighter Asm. - Cigarette - 12 Volt |
| | 007031-01-000 | EA | Bezel - Cigarette Lighter |
| | 023599-01-000 | EA | Bezel - Entertainment Center - All Options |
| | 024979-01-000 | EA | Bezel - Entertainment Center - Lighter Only |
| | 024760-01-000 | EA | Bezel - Entertainment Center - Lighter, Clock, Radio and Fader |
| | 007071-01-000 | EA | Louver - Chrome - w/Chrome Wheel |
| | 024990-01-000 | EA | Outlet - Defroster - w/Swivel - 2" Tan |
| | 024906-01-000 | EA | Diffuser - Case - Air Conditioning - 2 1/2" Black |
| | 023020-01-000 | EA | Lamp Asm. - Tell Tale |
| | 031386-01-000 | EA | Applique - Dash - Chieftain |
| | 039044-01-000 | EA | Louver Asm. - A/C Adjustable |

DRIVER'S COMPARTMENT GROUP (CONTINUED)

DASH SWITCHES AND GAUGES

| Key | Part Number | U/M | Description |
|-----|---------------|-----|--------------------------------------|
| | 024466-01-000 | EA | Switch - Rear Wiper |
| | 024976-01-000 | EA | Switch - Generator w/o Circuit Board |
| | 024401-01-000 | EA | Switch - Battery |
| | 024463-01-000 | EA | Switch - Blinker |
| | 024464-01-000 | EA | Switch - Washer |
| | 024465-01-000 | EA | Switch - Fuel |
| | 024467-01-000 | EA | Switch - Wiper |
| | 024462-01-000 | EA | Switch - Battery Condition |
| | 024907-01-000 | EA | Control Asm. - Heater - A/C 3-Speed |
| | 031376-02-000 | EA | Control Asm. - Heater - 2-Speed |
| | 024459-01-000 | EA | Gauge - Voltmeter |
| | 024460-01-000 | EA | Gauge - Vacuum |
| | 031373-01-000 | EA | Gauge - Auxiliary Fuel |
| | 031035-01-000 | EA | Gauge - Hourmeter |

FRONT OVERHEAD BUNK CABINET

| Key | Part Number | U/M | Description |
|-----|---------------|-----|---|
| | 031471-03-000 | EA | Cabinet - Glide Away - Overhead |
| | 031471-03-001 | EA | Door - Sliding - Glide Away - Overhead |
| | 009148-01-000 | EA | Fingerpull |
| | 009785-01-000 | FT | Track - Sliding Door - Upper - Dark Brown Plastic |
| | 009786-01-000 | FT | Track - Sliding Door - Lower - Dark Brown Plastic |

MISCELLANEOUS DRIVER'S COMPARTMENT COMPONENTS

| Key | Part Number | U/M | Description |
|-----|---------------|-----|--|
| | 034200-01-000 | EA | Cover - Motor - Plastic |
| | 020763-01-000 | EA | Seal - Motor Cover |
| | 035022-01-000 | FT | Tape - Windshield - 3/3" x 3/8" - Butyl |
| | 039857-01-000 | EA | Latch - Rubber - Draw Handle - 5 3/4" w/Strike - Motor Cover |
| | 039856-01-000 | EA | Latch - Rubber - Draw Handle - 3" w/Strike - Motor Cover |
| | 033060-01-000 | EA | Cable - Fresh Air - Bowden - 52" |
| | 007278-01-000 | EA | Mirror - Inside 4 1/2" x 9" |
| | 009143-01-000 | EA | Mirror - Inside 1/8" x 3.5" x 8" - Sunvisor |
| | 022758-02-000 | EA | Sunvisor Asm. - Right - Oxen Tan |
| | 022759-02-000 | EA | Sunvisor Asm. - Left - Oxen Tan |
| | 041842-01-000 | EA | Clip - Sunvisor Rod - Brown Plastic |
| | 039067-01-000 | EA | Pocket - Map - Oxen Tan |
| | 031003-02-000 | EA | Side Panel - Oxen Tan - Left |
| | 031004-02-000 | EA | Side Panel - Oxen Tan - Right |

1975 WINNEBAGO TABLE OF CONTENTS

| | |
|--------------------|-------------|
| Introduction | A-1 |
| Abbreviations | A-1 |
| Alphabetical Index | A-2 - A-4 |
| D25C | A-5 - B-14 |
| D25CL | B-15 - C-24 |
| D27C | D-1 - E-10 |
| D27CL | E-11 - F-20 |
| D29CURB | F-21 - H-6 |
| D27CU | H-7 - I-18 |
| D27CUL | I-19 - K-6 |
| D25CU | K-7 - L-16 |

1975 D25C INDEX

| | |
|------------------------------------|-------------|
| Floor Plan | A-5 - A-6 |
| Accessories Group | A-7 - A-8 |
| Bath Group | A-9 |
| Chassis Group | A-9 - A-10 |
| Curtain, Cushion & Pad Group | A-11 - A-14 |
| Dinette Group | A-15 |
| Driver's Compartment Group | A-15 - A-16 |
| Electrical Group | A-17 - A-18 |
| Exterior Body Group | A-19 - A-22 |
| Galley Group | A-23 |
| Heating & Air Conditioning Group | A-24 |
| Interior Finish Group | B-1 - B-2 |
| LP Group | B-3 |
| Lounge Group | B-3 |
| Water & Sewage Group | B-4 |
| Window, Vent & Exterior Door Group | B-5 - B-14 |

ELECTRICAL GROUP

BULBS

| Key | Part Number | U/M | Description |
|-----|---------------|-----|-------------------------------|
| | 037935-01-000 | EA | Bulb - 1157 |
| | 038010-01-000 | EA | Bulb - 1143 |
| | 008103-01-000 | EA | Bulb - 53 |
| | 008214-01-000 | EA | Bulb - 67 |
| | 008215-01-000 | EA | Bulb - 1003 |
| | 008216-01-000 | EA | Bulb - 1034 |
| | 008217-01-000 | EA | Bulb - 1071 |
| | 008218-01-000 | EA | Bulb - 1141 |
| | 008219-01-000 | EA | Bulb - 656 |
| | 008220-01-000 | EA | Bulb - 12 Volt - 25 Watt |
| | 036196-01-000 | EA | Bulb - 194 |
| | 700020-01-000 | EA | Bulb - 12 Volt - 20 Watt 1383 |
| | 008213-01-000 | EA | Bulb - 57 |

EXTERIOR LIGHTS

| Key | Part Number | U/M | Description |
|-----|---------------|-----|--|
| | 008089-01-000 | EA | Light - Porch - Recessed |
| | 039866-01-000 | EA | Lens - Clearance Light - Round Amber |
| | 039865-01-000 | EA | Lens - Clearance Light - Round Red |
| | 033562-01-000 | EA | Light - Clearance - Amber Oval w/Ground - 2 Bulb |
| | 033746-01-000 | EA | Light - Clearance - Amber Oval w/Ground - 1 Bulb |
| | 033748-02-000 | EA | Light Clearance - Red Oval w/Ground - 1 Bulb |
| | 031054-02-000 | EA | Lamp Asm. - Tail - Left - Beige |
| | 031054-01-701 | EA | Lens - Tail Lamp - Left |
| | 031055-02-000 | EA | Lamp Asm. - Tail - Right - Beige |
| | 031055-01-700 | EA | Lens - Tail Lamp - Right |

INTERIOR LIGHTS

| Key | Part Number | U/M | Description |
|-----|---------------|-----|--|
| | 007309-01-000 | EA | Light - Stepwell |
| | 008114-01-000 | EA | Light - Dome 12 V |
| | 024473-01-000 | EA | Light - Aircraft - 1 Bulb - Gold |
| | 033508-01-000 | EA | Light - Dome - 1 Bulb |
| | 033509-01-000 | EA | Light - Dome - 2 Bulb |
| | 024642-01-701 | EA | Lens - Dome Light - 1 Bulb |
| | 024643-01-701 | EA | Lens - Dome Light - 2 Bulb |
| | 039859-01-000 | EA | Lighter - w/Night Light and Wall Plate |

FUSES AND CIRCUIT BREAKERS

| Key | Part Number | U/M | Description |
|-----|---------------|-----|------------------------------------|
| | 008233-01-000 | EA | Fuse - 12 Volt - 6 Amp |
| | 008234-01-000 | EA | Fuse - 12 Volt - 10 Amp |
| | 008235-01-000 | EA | Fuse - 12 Volt - 15 Amp |
| | 008236-01-000 | EA | Fuse - 12 Volt - 20 Amp |
| | 008248-01-000 | EA | Fuse - 12 Volt - 30 Amp |
| | 008278-01-000 | EA | Fuse - 12 Volt - 2 Amp |
| | 008251-01-000 | EA | Fuse Holder - Black - Screw Type |
| | 008212-01-000 | EA | Circuit Breaker - 12 Volt - 5 Amp |
| | 008208-01-000 | EA | Circuit Breaker - 12 volt - 40 Amp |
| | 033573-01-000 | EA | Circuit Breaker - 12 Volt - 20 Amp |
| | 008258-01-000 | EA | Circuit Breaker - 12 Volt - 30 Amp |

ELECTRICAL GROUP (CONTINUED)

WINDSHIELD WIPER AND WASHER

| Key | Part Number | U/M | Description |
|-----|---------------|-----|--|
| | 007029-01-000 | EA | Washer Asm. - Electric - Front |
| | 007191-01-000 | EA | Washer Asm. - Electric - Rear |
| | 037999-01-000 | EA | Motor Asm. - Windshield Wiper |
| | 037998-01-000 | EA | Link Asm. - Connecting - 22.40" Long |
| | 038000-01-000 | EA | Blade - Windshield Wiper - 16" |
| | 038001-01-000 | EA | Shaft and Pivot Asm. - 2.25" Arm |
| | 037997-01-000 | EA | Arm - Windshield Wiper - 15" |
| | 700073-05-000 | EA | Pump and Cover Asm. - (washer) |
| | 700073-02-000 | EA | Washer Nozzle Hardware Package - Front |

WIRE, SWITCHES AND RECEPTACLES

| Key | Part Number | U/M | Description |
|-----|---------------|-----|--|
| | 008024-01-000 | FT | Wire - 18.5 Bonded - Orange/White/Yellow/Blue/Brown |
| | 008025-01-000 | FT | Wire - 18.5 Bonded - Orange/White/Yellow/Blue/Green |
| | 008028-01-000 | FT | Wire - 18.5 Bonded - Blue/Red/Yellow/Orange/White |
| | 008032-01-000 | FT | Wire - 18.4 Bonded |
| | 008195-01-000 | EA | Switch - Push Button - 12 Volt |
| | 006077-01-000 | EA | Plaque - Compressor Switch |
| | 008054-01-000 | EA | Cord - Power - 10-3 30 Amp 25' - UL |
| | 008058-01-000 | EA | Adaptor - Power Cord |
| | 024924-01-000 | EA | Receptacle - Power Cord w/Plate |
| | 008157-01-000 | EA | Receptacle - Duplex - Brown |
| | 047351-01-000 | EA | Receptacle - Ground Fault Interrupter - 125 Volt - Black |
| | 024571-01-000 | EA | Cover Plate - Receptacle - Jumbo Steel - Brown |
| | 008162-01-000 | EA | Switch - Double Toggle - Spade Brown |
| | 008163-01-000 | EA | Switch - Toggle - Brown |
| | 008164-01-000 | EA | Cover Plate - Switch - Single Plastic - Brown |

MISCELLANEOUS ELECTRICAL COMPONENTS

| Key | Part Number | U/M | Description |
|-----|---------------|-----|---|
| | 039859-01-000 | EA | Lighter - w/Night Light and Wall Plate |
| | 046775-01-000 | EA | Valve Asm. - Fuel Change Over |
| | 008188-01-000 | EA | Solenoid - Dual Battery - Relay |
| | 047389-01-000 | EA | Battery - 12 Volt - 105 Amp Deep Cycle - Dry |
| | 047338-01-000 | EA | Isolator - Dual Battery |
| | 024417-01-000 | EA | Panel - Control - Water/Double Sewage - Wemac |
| | 011024-01-000 | EA | Sending Unit - Water Tank - 5 Wire |
| | 039861-01-000 | EA | Sending Unit Kit - Wemac |

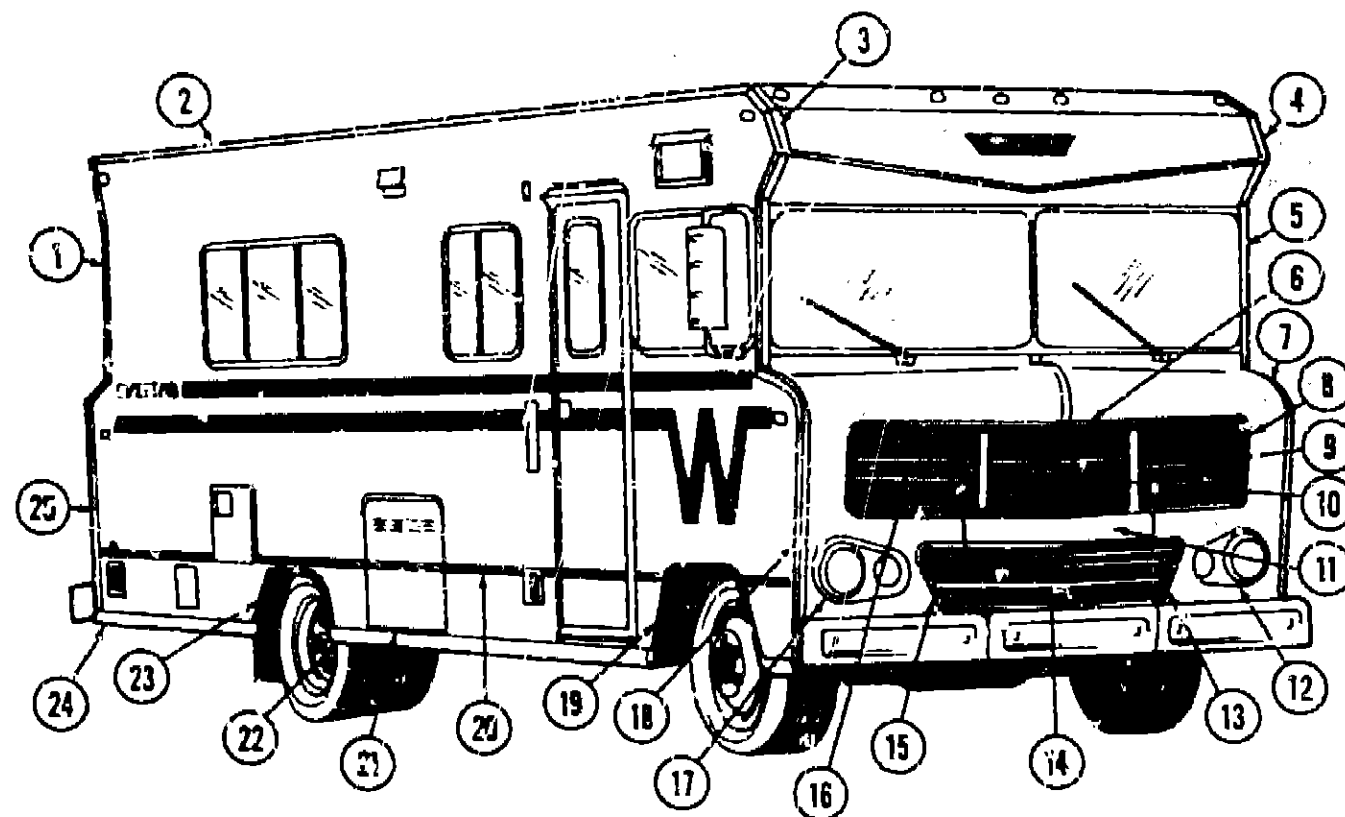
1975 WINNEBAGO TABLE OF CONTENTS

| | |
|--------------------|-------------|
| Introduction | A-1 |
| Abbreviations | A-1 |
| Alphabetical Index | A-2 - A-4 |
| D25C | A-5 - B-14 |
| D25CL | B-15 - C-24 |
| D27C | D-1 - E-10 |
| D27CL | E-11 - F-20 |
| D29CURB | F-21 - H-6 |
| D27CU | H-7 - I-18 |
| D27CUL | I-19 - K-6 |
| D25CU | K-7 - L-16 |

1975 D25C INDEX

| | |
|------------------------------------|-------------|
| Floor Plan | A-5 - A-6 |
| Accessories Group | A-7 - A-8 |
| Bath Group | A-9 |
| Chassis Group | A-9 - A-10 |
| Curtain, Cushion & Pad Group | A-11 - A-14 |
| Dinette Group | A-15 |
| Driver's Compartment Group | A-15 - A-16 |
| Electrical Group | A-17 - A-18 |
| Exterior Body Group | A-19 - A-22 |
| Galley Group | A-23 |
| Heating & Air Conditioning Group | A-24 |
| Interior Finish Group | B-1 - B-2 |
| LP Group | B-3 |
| Lounge Group | B-3 |
| Water & Sewage Group | B-4 |
| Window, Vent & Exterior Door Group | B-5 - B-14 |

EXTERIOR BODY GROUP



1975 WINNEBAGO TABLE OF CONTENTS

| | |
|--------------------|-------------|
| Introduction | A-1 |
| Abbreviations | A-1 |
| Alphabetical Index | A-2 - A-4 |
| D25C | A-5 - B-14 |
| D25CL | B-15 - C-24 |
| D27C | D-1 - E-10 |
| D27CL | E-11 - F-20 |
| D29CURB | F-21 - H-6 |
| D27CU | H-7 - I-18 |
| D27CUL | I-19 - K-6 |
| D25CU | K-7 - L-16 |

| Key | Part Number | U/M | Description |
|-----|---------------|-----|--|
| 1 | 021213-03-000 | EA | Trim - Contour - Right Rear - Upper - Beige |
| 2 | 020985-03-000 | EA | Trim - Contour - Left Rear - Upper - Beige |
| 3 | 009717-02-002 | EA | Extr. - Awning Rail - 19' |
| 4 | 020400-04-000 | EA | Trim - Contour - Right Front - Upper - Beige |
| 5 | 020399-04-000 | EA | Trim - Contour - Left Front - Upper - Beige |
| 6 | 017746-04-000 | EA | Frame Asm. - Windshield w/o Glass - Beige |
| 7 | 024764-02-000 | EA | Trim - Upper Grille - Top or Bottom |
| 8 | 020522-04-000 | EA | Trim - Contour - Lower Front - Left - Beige |
| 9 | 024763-02-000 | EA | Trim - Upper Grille - Side - Left or Right |
| 10 | 033365-01-000 | EA | Grille Asm. - Upper Left |
| 11 | 033366-01-000 | EA | Grille Asm. - Upper Center |
| 12 | 020818-02-000 | EA | Hood Asm. - Center - Beige |
| 13 | 023671-04-000 | EA | Bezel - Headlight - Left - Beige Plastic |
| 14 | 024748-02-000 | EA | Trim - Lower Grille - Left Side |
| 15 | 033368-01-000 | EA | Grille Asm. - Lower |
| 16 | 024749-01-000 | EA | Trim - Lower Grille - Right Side |
| 17 | 040876-01-000 | EA | Grille Asm. - Upper - Right |
| 18 | 023671-03-000 | EA | Bezel - Headlight - Right - Beige Plastic |
| 19 | 020521-04-000 | EA | Trim - Contour - Lower Front - Right - Beige |
| 20 | 02427-02-000 | EA | Trim - Wheelwell - Front - Left or Right |

| Key | Part Number | U/M | Description |
|-----|---------------|-----|---|
| 20 | 002444-02-003 | EA | Extr. - Anod. - Feature Strip - 16' |
| | 001031-01-003 | EA | Insert - Feature Strip - Black Alum. - 21' |
| | 009731-01-000 | EA | Cap - Sidewall Trim - Feature Strip End |
| 21 | 002939-02-002 | EA | Extr. - Anod. - Rocker Panel - 18' |
| 22 | 006068-01-000 | EA | Plug - Wheelwell - Right - Rocker Panel |
| | 006067-01-000 | EA | Plug - Wheelwell - Left - Rocker Panel |
| 23 | 013834-02-000 | EA | Trim - Wheelwell - Rear - Left or Right |
| 24 | 006083-01-000 | EA | Plug - Rocker Panel End - Right Rear or Left Front |
| | 006082-01-000 | EA | Plug - Rocker Panel End - Right Front or Left Rear |
| 25 | 015251-04-000 | EA | Trim - Contour - Lower - Right Rear - Beige |
| | 015252-04-000 | EA | Trim - Contour - Lower - Left Rear - Beige |
| | 024585-01-000 | EA | Stop Asm. - Grille Door |
| | 021497-01-000 | EA | Latch Asm. - Grille |
| | 024582-02-000 | EA | Trim - Roof - Front Center - Beige |
| | 020797-02-000 | EA | Trim - Grille - 35.56" |
| | 024767-02-000 | EA | Trim - Grille - Lower - 19.86" |
| | 023707-03-000 | EA | Panel Asm. - Hoodboard - Right - Beige |
| | 023707-04-000 | EA | Panel Asm. - Hoodboard - Left - Beige |
| | 002776-02-001 | EA | Extr. - Anod. - U-Channel - Serrated - 1 3/4" x 16' |
| | 002779-02-001 | EA | Extr. - Anod. - U-Channel - Ribbed - 1 3/4" x 16' |
| | 002754-02-001 | EA | Extr. - Anod. - Angle - 3/4" x 3/4" x 18' |
| | 002365-02-001 | EA | Extr. - Anod. - U-Channel - 1" Serrated - 18' |
| | | | Not Illustrated |

1975 D25C INDEX

| | |
|------------------------------------|-------------|
| Floor Plan | A-5 - A-6 |
| Accessories Group | A-7 - A-8 |
| Bath Group | A-9 |
| Chassis Group | A-9 - A-10 |
| Curtain, Cushion & Pad Group | A-11 - A-14 |
| Dinette Group | A-15 |
| Driver's Compartment Group | A-15 - A-16 |
| Electrical Group | A-17 - A-18 |
| Exterior Body Group | A-19 - A-22 |
| Galley Group | A-23 |
| Heating & Air Conditioning Group | A-24 |
| Interior Finish Group | B-1 - B-2 |
| LP Group | B-3 |
| Lounge Group | B-3 |
| Water & Sewage Group | B-4 |
| Window, Vent & Exterior Door Group | B-5 - B-14 |

EXTERIOR BODY GROUP (CONTINUED)

EXTERIOR BODY PANELS AND SHEET ALUMINUM

| Key | Part Number | U/M | Description |
|-----|---------------|-----|---|
| | 039155-02-008 | EA | Aluminum - Beige Mesa Design - .024" x 36" x 60" |
| | 039155-02-002 | EA | Aluminum - Beige Mesa Design - .024" x 36" x 300" |
| | 039155-02-003 | EA | Aluminum - Beige Mesa Design - .024" x 36" x 360" |
| | 039155-02-007 | EA | Aluminum - Beige Mesa Design - .024" x 48" x 60" |
| | 039155-02-005 | EA | Aluminum - Beige Mesa Design - .024" x 48" x 300" |
| | 039155-02-006 | EA | Aluminum - Beige Mesa Design - .024" x 48" x 360" |
| | 039155-02-009 | EA | Aluminum - Beige Mesa Design - .024" x 12" x 360" |
| | 028545-01-000 | EA | Aluminum - Beige Greyhound - 48" x 96" |
| | 001018-01-024 | EA | Aluminum - Beige - No Design - 48" x 96" |
| | 000868-01-000 | BF | Styrofoam - 3/4" x 24" x 96" |
| | 000870-01-000 | BF | Styrofoam - 1 1/2" x 24" x 96" |
| | 031590-02-000 | EA | Back Wall Assembly |
| | 038805-02-000 | EA | Roof Assembly |
| | 038805-02-700 | EA | Roof Section - Windshield to First Seam |
| | 038804-02-000 | EA | Side Wall Assembly - Left |
| | 038803-02-000 | EA | Side Wall Assembly - Right |

EXTERIOR PAINT

| Key | Part Number | U/M | Description |
|-----|---------------|-----|---|
| | 044486-01-000 | EA | Paint - Beige Acrylic Enamel - 1 Gallon |
| | 044486-03-000 | EA | Paint - Beige Acrylic Enamel - 16 oz. - Aerosol |
| | 044486-04-000 | EA | Paint - Beige Acrylic Lacquer - 1 Gallon |
| | 041567-01-000 | EA | Paint - Rally Gold Acrylic Enamel - 1 Gallon |
| | 041567-03-000 | EA | Paint - Rally Gold Acrylic Enamel - 16 oz. - Aerosol |
| | 041568-01-000 | EA | Paint - Antique Bronze Metallic - Acrylic Enamel - 1 Gallon |
| | 041568-03-000 | EA | Paint - Antique Bronze Metallic - Acrylic Enamel - 16 oz. - Aerosol |

LABELS AND DECALS

| Key | Part Number | U/M | Description |
|-----|---------------|-----|--|
| | 006001-01-000 | EA | Name Plate - Plastic - Winnebago - Chrome |
| | 006010-01-000 | EA | Decal - Winnebago - Brown/Chrome |
| | 005023-01-000 | EA | Label - Water Only |
| | 006025-01-000 | EA | Label - Gas |
| | 006031-01-000 | EA | Label - Potable Water Only |
| | 006040-01-000 | EA | Tag - Gas Refueling Warning |
| | 006187-01-000 | EA | Label - Sewage |
| | 006188-01-000 | EA | Label - Waste Water |
| | 006199-01-000 | EA | Label - Exit - Escape Hatch |
| | 006210-01-000 | EA | Stencil - Chieftain - Left |
| | 006211-01-000 | EA | Stencil - Chieftain - Right |
| | 006028-01-000 | EA | Label - Drain Cap - 2" x 3" |
| | 006092-01-000 | EA | Reflector - Stick On - Rectangular - Red |
| | 006093-01-000 | EA | Reflector - Stick On - Rectangular - Amber |

EXTERIOR BODY GROUP (CONTINUED)

SEALANTS, ADHESIVES AND FASTENERS

| Key | Part Number | U/M | Description |
|-----|---------------|-----|--|
| | 034552-05-000 | EA | Sealant - Off White Silicone |
| | 034552-04-000 | EA | Sealant - Beige Silicone |
| | 034552-02-000 | | |
| | 034552-02-000 | EA | Sealant - Clear Silicone |
| | 004348-02-000 | EA | Sealant - Aluminum Silicone |
| | 004349-01-000 | EA | Sealant - Black Silicone |
| | 004342-01-000 | EA | Sealant - Weatherban 202 Tube |
| | 004346-02-000 | EA | Sealant - White Silicone |
| | 002316-01-000 | FT | Sealer Tape - 3/32" x 3/8" - White |
| | 024545-01-000 | FT | Sealer Tape - 1/8" x 5/8" - Black |
| | 004350-01-000 | FT | Sealer Tape - 1/8" x 1" - Formaseal |
| | 004352-01-000 | FT | Sealer Tape - 1/8" x 3/4" - Formaseal |
| | 004355-01-000 | FT | Sealer Tape - 1/8" x 5/8" - Black |
| | 004357-01-000 | FT | Sealer Tape - 1/8" x 5/8" - Adhesive |
| | 002707-02-000 | FT | Sealer Tape - 5/16" x 1/2" |
| | 002707-01-000 | FT | Sealer Tape - 5/16" x 3/4" - Black Foam |
| | 002708-01-000 | FT | Sealer Tape - 5/16" x 1/2" |
| | 004353-01-000 | FT | Sealer Tape - 3/16" x 1/2" - Foam |
| | 004352-01-000 | FT | Sealer Tape - 1/8" x 5/8" - Foam |
| | 009200-01-000 | EA | Tape - Furnace 1 1/2" |
| | 041839-01-000 | FT | Tape - Window Latch - 3/4" Adhesive |
| | 041839-02-000 | FT | Tape - Window Latch - 1/2" Adhesive |
| | 004353-01-000 | FT | Tape - Gasket - 1/8" x 3/4" - White |
| | 002825-01-000 | FT | Weather Stripping - Roof Vent |
| | 002337-01-000 | FT | Adhesive - 3M - 1200 Tube |
| | 004005-01-000 | GL | Adhesive - Swifts - Green Glue - (Sidewalls) |
| | 004012-01-000 | EA | Adhesive - 3M - 4475 Tube |
| | 004020-01-000 | QT | Adhesive ABS Cement - (Plastic Fittings) |
| | 029051-01-000 | EA | Adhesive - Spray Vinyl |
| | 042401-01-000 | EA | Screw - 8-18 x 3/4" SDPH - Beige |
| | 042403-01-000 | EA | Screw - SF/DR 8-18 x 1" SDPH - Beige |
| | 005031-01-000 | EA | Screw - Wood - 12-11 x 3" P.O.H. - Zinc |

MISCELLANEOUS EXTERNALLY MOUNTED PARTS

| Key | Part Number | U/M | Description |
|-----|---------------|-----|---|
| | 016253-01-000 | EA | Fuel Fill - Recessed - Single Beige - 2 7/16" Hole Diameter |
| | 016253-02-000 | EA | Fuel Fill - Recessed - Single Beige - 2" Hole Diameter |
| | 015587-05-000 | EA | Fuel Fill - Recessed - Double Beige |
| | 022620-02-000 | EA | Water Fill - Recessed Beige |
| | 031564-03-000 | EA | Handle - Assist - Recessed Bronze |
| | 011129-01-000 | EA | Plumbing Seal - Roof - White 1 1/2" |
| | 011124-01-000 | EA | Plumbing Seal - Roof - White 1 1/4" |
| | 022400-01-000 | EA | Mirror - O/S - w/Convex - Stainless Steel |
| | 700023-04-000 | EA | Mirror - Convex - 6" x 4" |

1975 WINNEBAGO TABLE OF CONTENTS

| | |
|--------------------|-------------|
| Introduction | A-1 |
| Abbreviations | A-1 |
| Alphabetical Index | A-2 - A-4 |
| D25C | A-5 - B-14 |
| D25CL | B-15 - C-24 |
| D27C | D-1 - E-10 |
| D27CL | E-11 - F-20 |
| D29CURB | F-21-H-6 |
| D27CU | H-7 - I-18 |
| D27CUL | I-19 - K-6 |
| D25CU | K-7 - L-16 |

1975 D25C INDEX

| | |
|------------------------------------|-------------|
| Floor Plan | A-5 - A-6 |
| Accessories Group | A-7 - A-8 |
| Bath Group | A-9 |
| Chassis Group | A-9 - A-10 |
| Curtain, Cushion & Pad Group | A-11 - A-14 |
| Dinette Group | A-15 |
| Driver's Compartment Group | A-15 - A-16 |
| Electrical Group | A-17 - A-18 |
| Exterior Body Group | A-19 - A-22 |
| Galley Group | A-23 |
| Heating & Air Conditioning Group | A-24 |
| Interior Finish Group | B-1 - B-2 |
| LP Group | B-3 |
| Lounge Group | B-3 |
| Water & Sewage Group | B-4 |
| Window, Vent & Exterior Door Group | B-5 - B-14 |

GALLEY GROUP

GALLEY CABINET AND COMPONENTS

| Key | Part Number | U/M | Description |
|-----|---------------|-----|---|
| | 031060-04-700 | EA | Cabinet Assembly - w/o Drawers, Doors, Countertop or Hardware |
| | 031060-04-701 | EA | Drawer - Galley - 5 1/4" x 14 1/8" - w/o Hardware |
| | 031060-04-702 | EA | Drawer - Galley - 6 3/8" x 20.5" - w/o Hardware |
| | 031060-04-703 | EA | Door - Galley - 11 7/16" x 25 7/8" - w/o Hardware |
| | 031060-04-704 | EA | Door - Galley - 7" x 20.5" - w/o Hardware |
| | 031060-04-705 | EA | Countertop Assembly - Butcher Block w/Cut Out |
| | 040435-01-000 | EA | Extension - Counter Top - Butcher Block |
| | 009059-01-000 | EA | Hinge - 2" - Gold |
| | 009049-01-000 | EA | Support - Drop Leaf Table |
| | 011033-01-000 | EA | Sink - Stainless Steel - Double - Large - Small - w/Bolts |
| | 039872-01-000 | EA | Faucet Assembly - Swivel - Single Handle |
| | 011053-01-700 | EA | Aerator - Faucet |
| | 011085-01-000 | EA | Strainer - Sink |
| | 006091-01-000 | EA | Tray - Cutlery - Gold |
| | 024584-01-000 | EA | Towel Rack - Disappearing - 18" |

OVERHEAD GALLEY CABINET

| Key | Part Number | U/M | Description |
|-----|---------------|-----|---|
| | 031078-01-700 | EA | Cabinet Assembly - Overhead Galley - w/o Door or Hardware |
| | 031078-01-701 | EA | Door Assembly - Overhead Cabinet - w/o Hardware |
| | 033535-05-000 | EA | Molding Assembly - Shelf |

| Key | Part Number | U/M | Description |
|-----|-----------------|-----|--|
| ** | 034542-01-000 | EA | Refrigerator - Winnebago - Two Door - W8 |
| ** | 034544-01-000 | EA | Refrigerator - Winnebago - Two Door - W7 |
| ** | 034545-01-000 | EA | Refrigerator - Winnebago - One Door - W6 |
| ** | 003336-01-000 | EA | Refrigerator - Dometic - One Door - RM66 |
| ** | 003337-01-000 | EA | Refrigerator - Dometic - Two Door - RM76 |
| ** | 003016-01-000 | EA | Range - Coleman Eyelevel - 2209C |
| ** | 046747-01-000 | EA | Range - Coleman Eyelevel - 2209F |
| * | 024669-01-000 | EA | Hood - Range - Eyelevel Oven - Strawine |
| * | 024669-01-700 | EA | Filter - Range Hood - Eyelevel Oven - Strawine |
| * | Not Illustrated | | |

** The illustrated parts breakdown for this item is provided on the Common Items Fiche

HEATING AND AIR CONDITIONING GROUP

EVANS AUTOMOTIVE HEATING AND AIR CONDITIONING

| Key | Part Number | U/M | Description |
|-----|---------------|-----|---|
| | 033932-01-000 | EA | Evaporator - Air Conditioner |
| | 033932-01-000 | EA | Valve - Expansion |
| | 033938-01-000 | EA | Core - Heater |
| | 035459-01-701 | EA | Blower Asm. - 3 Speed w/Motor |
| | 033926-01-000 | EA | Cold Control |
| | 035459-01-704 | EA | Resistor - Evans Heater |
| | 048217-01-000 | EA | Switch - Fan - 3 Speed Evans |
| | 033933-01-000 | EA | Compressor - Auto Air - Evans |
| | 033855-01-000 | EA | Condenser - Radiator Mount - Evans |
| | 033854-01-000 | EA | Receiver Drier |
| | 033934-01-000 | EA | Clutch - Compressor - Evans |
| | 048229-01-000 | EA | Kit - Auto Air - 440 - Evans |
| ** | 003135-01-000 | EA | Furnace - Coleman - 23,000 B.T.U. - 4023 |
| ** | 003136-01-000 | EA | Furnace - Coleman - 28,000 B.T.U. - 4028 |
| ** | 003140-01-000 | EA | Furnace - Coleman - 30,000 B.T.U. - 4030 |
| ** | 041603-01-000 | EA | Furnace - Coleman - 23,000 B.T.U. - 4225 |
| ** | 041604-01-000 | EA | Furnace - Coleman - 28,000 B.T.U. - 4230 |
| ** | 041605-01-000 | EA | Furnace - Coleman - 31,000 B.T.U. - 4235 |
| ** | 003119-01-000 | EA | Furnace - Suburban - 16,000 B.T.U. - NT16 |
| ** | 034014-01-000 | EA | Furnace - Lear Siegler - 32,000 B.T.U. - SRF32 |
| ** | 003126-01-000 | EA | Air Conditioner Asm. - Roof Mount - 10,000 BTU Mach I - Coleman w/o Inside Shroud |
| ** | 031880-01-000 | EA | Air Conditioner Asm. - Roof Mount - 13,500 BTU Mach III - Coleman w/o Inside Shroud |
| ** | 049777-01-000 | EA | Air Conditioner - Roof Mount - Ivory - 11,000 BTU Coleman - w/o Inside Shroud |
| ** | 049774-01-000 | EA | Air Conditioner - Roof Mount - Ivory - 13,500 BTU Coleman - w/o Inside Shroud |
| ** | 041738-01-000 | EA | Shroud Asm. - Air Conditioner - Inside Ceiling Cool Only - Mach I or Mach III |
| ** | 049778-01-000 | EA | Shroud Asm. - Air Conditioner - Inside Ceiling Cool Only - 11,000 BTU - Ivory |
| ** | 049775-01-000 | EA | Shroud Asm. - Air Conditioner - Inside Ceiling Cool Only - 13,500 BTU - Ivory |
| ** | 049776-01-000 | EA | Shroud Asm. - Air Conditioner - Inside Ceiling Heat and Cool - 13,500 BTU - Ivory |

** The illustrated parts breakdown for this item is provided on the Common Items Fiche.

1975 WINNEBAGO TABLE OF CONTENTS

| | |
|--------------------|-------------|
| Introduction | A-1 |
| Abbreviations | A-1 |
| Alphabetical Index | A-2 - A-4 |
| D25C | A-5 - D-14 |
| D25CL | B-15 - C-24 |
| D27C | D-1 - E-10 |
| D27CL | E-11 - F-20 |
| D29CURB | F-21-H-6 |
| D27CU | H-7 - I-18 |
| D27CUL | I-19 - K-6 |
| D25CU | K-7 - L-16 |

1975 D25C INDEX

| | |
|------------------------------------|-------------|
| Floor Plan | A-5 - A-6 |
| Accessories Group | A-7 - A-8 |
| Bath Group | A-9 |
| Chassis Group | A-9 - A-10 |
| Curtain, Cushion & Pad Group | A-11 - A-14 |
| Dinetie Group | A-15 |
| Driver's Compartment Group | A-15 - A-16 |
| Electrical Group | A-17 - A-18 |
| Exterior Body Group | A-19 - A-22 |
| Galley Group | A-23 |
| Heating & Air Conditioning Group | A-24 |
| Interior Finish Group | B-1 - B-2 |
| LP Group | B-3 |
| Lounge Group | B-3 |
| Water & Sewage Group | B-4 |
| Window, Vent & Exterior Door Group | B-5 - B-14 |

INTERIOR FINISH GROUP

PANELING AND COUNTERTOP MATERIALS

| Key | Part Number | U/M | Description |
|-----|---------------|-----|--|
| | 024944-01-000 | | Panel - Aztec - Gold Green - 48" x 96" |
| | 024951-01-000 | SF | Panel - Bath Wall - White |
| | 037681-01-000 | SF | Panel - Burlwood - 48" x 96" |
| | 024942-01-000 | SF | Panel - 150 Cherry - 48" x 96" |
| | 000726-02-000 | EA | Batt Strip - 150 Cherry |
| | 024944-02-000 | SF | Panel - Aztec - Orange - 48" x 96" |
| | 000720-02-000 | SF | Panel - White Stucco - 48" x 92 3/4" |
| | 037682-01-000 | EA | Plastic Laminate - 48" x 96" - Butcher Block |
| | 009814-06-000 | FT | T-Molding - Tan - Butcher Block |
| | 009814-05-000 | FT | T-Molding - Brown |

FABRICS AND CARPET

| Key | Part Number | U/M | Description |
|-----|---------------|-----|----------------------------------|
| | 037676-01-000 | YD | Fabric - Upholstery - Green |
| | 037676-02-000 | YD | Fabric - Upholstery - Gold |
| | 037676-03-000 | YD | Fabric - Upholstery - Brown |
| | 037677-01-000 | YD | Fabric - Drapes - Outer - Green |
| | 037677-02-000 | YD | Fabric - Drapes - Outer - Gold |
| | 037677-03-000 | YD | Fabric - Drapes - Outer - Brown |
| | 039174-01-000 | YD | Fabric - Drapes - Inner - Ivory |
| | 024918-02-000 | YD | Vinyl - Nonperforated - Oxen Tan |
| | 037678-01-000 | SY | Carpet Green - Coral Palms 511 |
| | 037678-02-000 | SY | Carpet Gold - Coral Palms 511 |
| | 037678-03-000 | SY | Carpet Brown - Coral Palms 511 |

INTERIOR MOLDINGS AND TRIMS

| Key | Part Number | U/M | Description |
|-----|---------------|-----|---|
| | 009779-01-000 | FT | U-Channel - 1 1/8" - Dark Brown |
| | 002779-02-001 | FT | Extrusion - U-Channel - 1 3/4" x 16" |
| | 009778-01-000 | FT | U-Channel - 1" - Dark Brown |
| | 009777-01-000 | FT | U-Channel - Dark Brown |
| | 009720-01-000 | EA | Cover - Rollbar - White - 85.44" |
| | 023221-01-000 | EA | Cover - Corner - Rollbar |
| | 034113-02-000 | EA | Cover - Corner - Support Bar - Brown |
| | 031575-01-000 | EA | Cover - Support Bar - Right |
| | 031575-02-000 | EA | Cover - Support Bar - Left |
| | 022756-01-000 | EA | Cover - A/C - Plastic |
| | 022755-01-000 | EA | Cover - Control Panel - Plastic |
| | 034689-01-000 | EA | Cover - Screw - 10 PPH Plastic - White |
| | 009812-03-000 | FT | Molding - Plastic - Outside Corner - .50" |
| | 009781-01-000 | FT | Corner - Outside - .62 x .62 - Brown |
| | 009767-01-000 | FT | Welting - Brown |
| | 009814-06-000 | FT | T-Molding Tan - Butcher Block |
| | 009814-05-000 | FT | T-Molding - Brown |

INTERIOR FINISH GROUP (CONTINUED)

CURTAIN HARDWARE

| Key | Part Number | U/M | Description |
|-----|---------------|-----|---|
| | 052327-04-236 | FT | Curtain Track - Alum. - Brown - 89" w/Holes |
| | 009107-01-000 | EA | Guide - Nylon - Snap - Curtain |
| | 042439-01-000 | EA | Bracket - Left or Right - Curtain Rod - Single |
| | 049897-01-000 | EA | Rod - Curtain - Flat Extension 25" - 45" |
| | 037872-01-000 | EA | Rod - Curtain - Double Flat Extension 48" - 84" |
| | 037872-02-000 | EA | Bracket - Curtain Rod - Double Flat Extension |
| | 049897-02-000 | EA | Rod - Curtain - Flat Extension 48" - 86" |
| | 009702-01-000 | EA | End Stop - Curtain - L-Rod w/Rollers |
| | 009701-01-000 | EA | Carrier - w/Rollers - L-Rod |
| | 018031-42-000 | EA | Track - Curtain - L-Rod - Aluminum 90" |
| | 020438-01-000 | EA | Track - Curtain - Left Front |
| | 021495-01-000 | EA | Track - Curtain - Right Front |

CABINETS AND TABLE HARDWARE

| Key | Part Number | U/M | Description |
|-----|---------------|-----|---|
| | 043118-01-000 | EA | Latch - Cabinet - Chieftain - Tan - Kit |
| | 043117-01-000 | EA | Hinge - 3/8" Inset - Century - Medieval Brass |
| | 009015-03-000 | EA | Catch - Squeeze - Brass |
| | 009047-01-000 | EA | Holder - Door - Overhead |
| | 009150-01-000 | EA | Warp Guard - 64" |
| | 009068-01-000 | EA | Hinge - Continuous - 1 1/2" x 72" |
| | 009124-01-000 | EA | Lock - Door - Push Button - Bathroom |
| | 009112-01-000 | EA | Flange - 1" Rod - Chrome |
| | 047842-01-000 | EA | Kit - Dinette Table Leg |
| | 047809-01-000 | EA | Kit - Dinette Table Hardware - Wall Mount |
| | 043116-01-000 | EA | Pull Drawer - Medieval Brass |

MISCELLANEOUS PARTS

| Key | Part Number | U/M | Description |
|-----|---------------|-----|--|
| | 041944-01-700 | EA | Extinguisher - Fire - w/Bracket - Dry |
| | 006098-01-000 | EA | Mirror - Inside - 1/8" x 9" x 16" - Beveled |
| | 009096-01-000 | EA | Mirror - Inside - 1/8" x 12" x 42" - Beveled |
| | 009089-01-000 | EA | Clip - Mirror - Plastic - w/Screw |
| | 007021-01-000 | EA | Belt Assembly - Seat - 2" x 90" - Black |
| | 023680-01-000 | EA | Bracket - Seat Belt |

1975 WINNEBAGO TABLE OF CONTENTS

| | |
|--------------------|-------------|
| Introduction | A-1 |
| Abbreviations | A-1 |
| Alphabetical Index | A-2 - A-4 |
| D25C | A-5 - B-14 |
| D25CL | B-15 - C-24 |
| D27C | D-1 - E-10 |
| D27CL | E-11 - F-20 |
| D29CURB | F-21-H-6 |
| D27CU | H-7 - I-18 |
| D27CU1 | I-19 - K-6 |
| D25CU | K-7 - L-16 |

1975 D25C INDEX

| | |
|------------------------------------|-------------|
| Floor Plan | A-5 - A-6 |
| Accessories Group | A-7 - A-8 |
| Bath Group | A-9 |
| Chassis Group | A-9 - A-10 |
| Curtain, Cushion & Pad Group | A-11 - A-14 |
| Dinette Group | A-15 |
| Driver's Compartment Group | A-15 - A-16 |
| Electrical Group | A-17 - A-18 |
| Exterior Body Group | A-19 - A-22 |
| Galley Group | A-23 |
| Heating & Air Conditioning Group | A-24 |
| Interior Finish Group | B-1 - B-2 |
| LP Group | B-3 |
| Lounge Group | B-3 |
| Water & Sewage Group | B-4 |
| Window, Vent & Exterior Door Group | B-5 - B-14 |

LP GROUP

| Key | Part Number | U/M | Description |
|-----|---------------|-----|---|
| | 008803-01-000 | EA | Tank - LP - 40 Lb. Vertical |
| | 008815-01-000 | EA | Regulator - LP - Automatic |
| | 015569-01-000 | EA | Strap - LP Bottle - 38 3/16" |
| | 008820-01-000 | EA | Hose Assembly - LP - 1/4" I.D. x 16" - Flex |
| | 045703-01-000 | EA | Hose Assembly - LP - 3/8" I.D. x 24" |

LOUNGE GROUP

| Key | Part Number | U/M | Description |
|-----|---------------|-----|---|
| | 031088-01-700 | EA | Cabinet Assembly - Gaucho - Left - w/o Doors |
| | 031088-01-701 | EA | Door - Gaucho - 11 3/4" x 17.5" - w/o Hardware - Left |
| | 031089-01-700 | EA | Cabinet Assembly - Gaucho - Right - w/o Door |
| | 031089-01-701 | EA | Door - Gaucho - 11 3/4" x 14" - w/o Hardware - Right |
| | 009096-01-000 | EA | Mirror - Inside - 1/8" x 12" x 42" - Beveled |
| | 009112-01-000 | EA | Flange - 1" Rod - Chrome |

WATER AND SEWAGE GROUP

| Key | Part Number | U/M | Description |
|-----|---------------|-----|---|
| | 016727-01-000 | EA | Water Tank - 27 Gallon |
| | 014903-01-000 | EA | Tank - Holding - Plastic - 35 Gallon |
| | 022439-01-000 | EA | Tank - Holding - Auxiliary |
| | 006060-01-000 | EA | Purification System - Everpure |
| | 006060-02-000 | EA | Cartridge - Replacement |
| | 023833-01-000 | EA | Air Compressor - 12 Volt - For Dual Tanks |
| | 011024-01-000 | EA | Sending Unit - Water Tank - 5 Wire |
| | 010210-01-000 | EA | Valve - Sanitary - Thetford 3HB |
| | 010324-01-000 | EA | Adapter - Bayonet |
| | 010235-01-000 | EA | Cap - Sewage - 3" |
| | 010236-01-000 | EA | Adaptor - Hose - 3" |
| | 046324-01-000 | EA | Kit - Fittings - Plastic - Holding Tanks |
| | 011066-01-000 | EA | P-Trap - Plastic - 1 1/4" |
| | 011091-01-000 | EA | Waste - Continuous Double Sink - 11 7/8" |
| | 011005-01-000 | EA | Spout - Water Fill - w/Gauge |
| | 004020-01-000 | QT | Adhesive - ABS Cement |
| | 010201-01-000 | EA | Hose - Sewer - 3" x 10' w/Clamp |
| | 010209-02-000 | EA | Handle - Extension - Sewer Valve - 9.5" |
| ** | 051391-01-000 | EA | Water Heater - Atwood Bowen - G5A2 |
| ** | 031992-01-000 | EA | Water Heater - Atwood Bowen - GH6 |

** The illustrated parts breakdown for this item is provided on the Common Items Fiche.

1975 WINNEBAGO TABLE OF CONTENTS

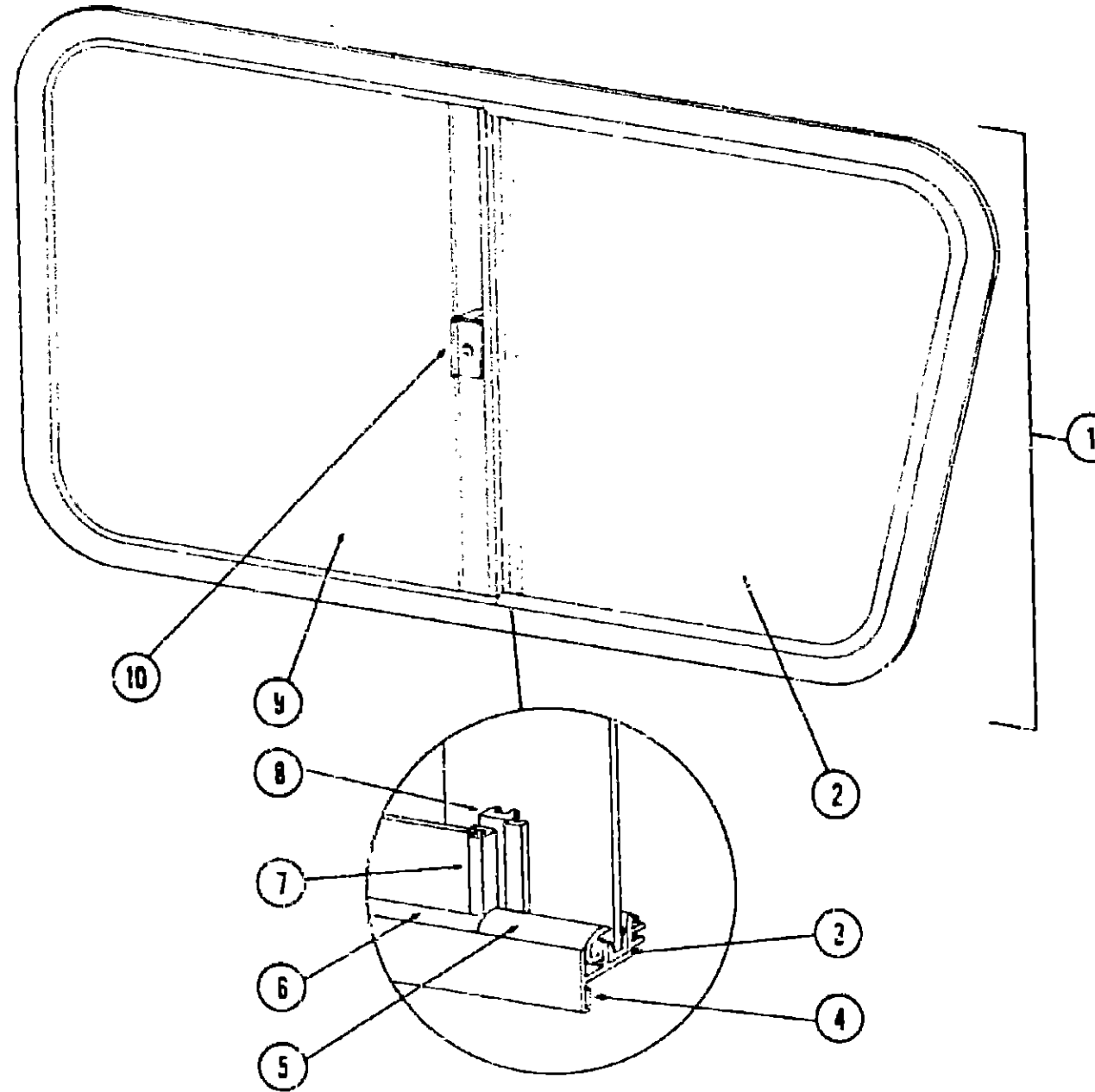
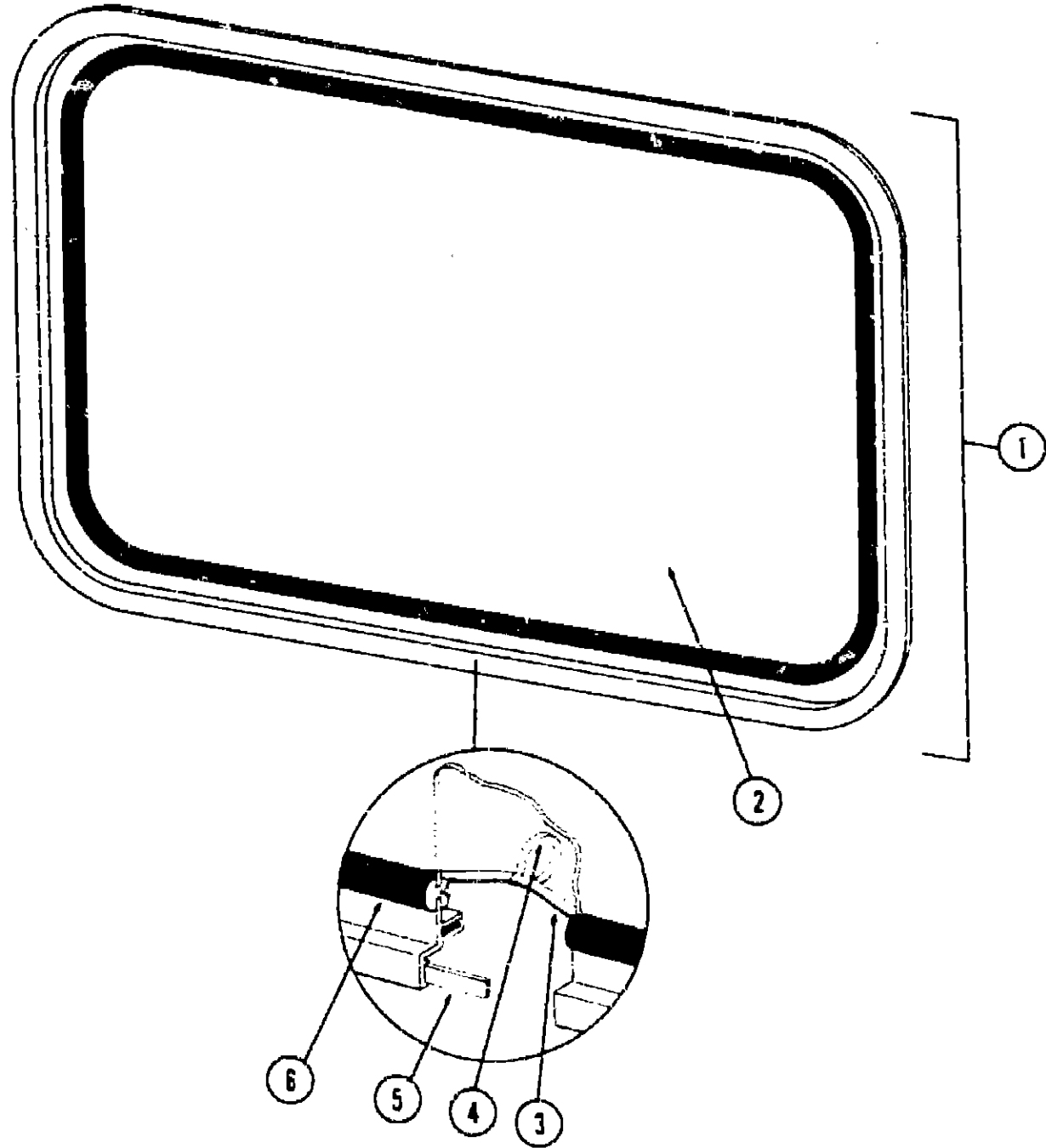
| | |
|--------------------|-------------|
| Introduction | A-1 |
| Abbreviations | A-1 |
| Alphabetical Index | A-2 - A-3 |
| D25C | A-5 - B-14 |
| D25CL | B-15 - C-24 |
| D27C | D-1 - E-10 |
| D27CL | E-11 - F-20 |
| D29CURB | F-21-H-6 |
| D27CU | H-7 - I-18 |
| D27CUL | I-19 - K-6 |
| D25CU | K-7 - L-16 |

1975 D25C INDEX

| | |
|------------------------------------|-------------|
| Floor Plan | A-5 - A-6 |
| Accessories Group | A-7 - A-8 |
| Bath Group | A-9 |
| Chassis Group | A-9 - A-10 |
| Curtain, Cushion & Pad Group | A-11 - A-14 |
| Dinette Group | A-15 |
| Driver's Compartment Group | A-15 - A-16 |
| Electrical Group | A-17 - A-18 |
| Exterior Body Group | A-19 - A-22 |
| Galley Group | A-23 |
| Heating & Air Conditioning Group | A-24 |
| Interior Finish Group | B-1 - B-2 |
| LP Group | B-3 |
| Lounge Group | B-3 |
| Water & Sewage Group | B-4 |
| Window, Vent & Exterior Door Group | B-5 - B-14 |

WINDOW, VENT AND EXTERIOR DOOR GROUP

WINDOW, VENT AND EXTERIOR DOOR GROUP (CONTINUED)



**1975 WINNEBAGO
TABLE OF CONTENTS**

| | |
|--------------------|-------------|
| Introduction | A-1 |
| Abbreviations | A-1 |
| Alphabetical Index | A-2 - A-4 |
| D25C | A-5 - B-14 |
| D25CL | B-15 - C-24 |
| D27C | D-1 - E-10 |
| D27CL | E-11 - F-20 |
| D29CURB | F-21-H-6 |
| D27CU | H-7 - I-18 |
| D27CUL | I-19 - K-6 |
| D25CU | K-7 - L-16 |

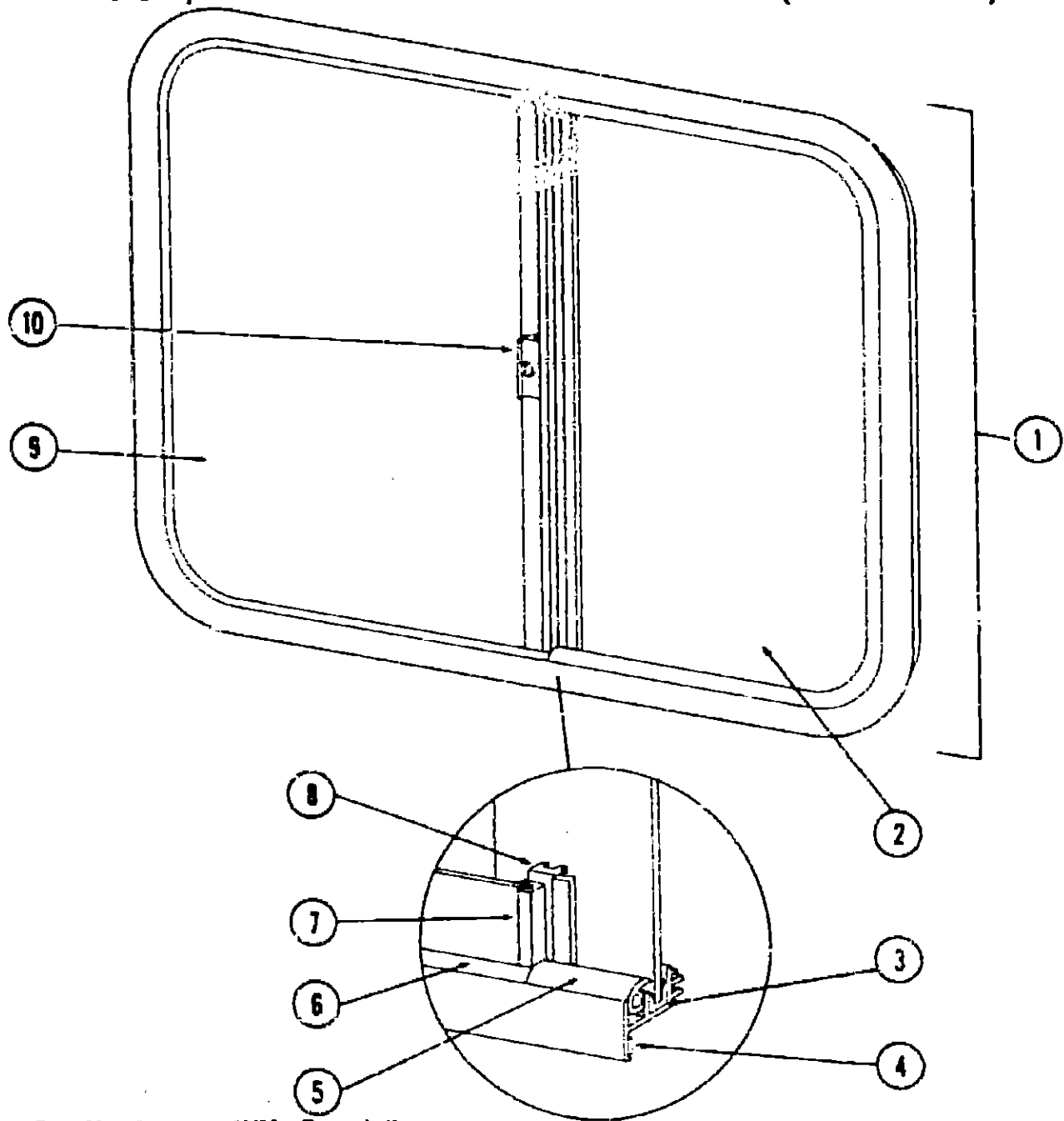
1975 D25C INDEX

| | |
|------------------------------------|-------------|
| Floor Plan | A-5 - A-6 |
| Accessories Group | A-7 - A-8 |
| Bath Group | A-9 |
| Chassis Group | A-9 - A-10 |
| Curtain, Cushion & Pad Group | A-11 - A-14 |
| Dinette Group | A-15 |
| Driver's Compartment Group | A-15 - A-16 |
| Electrical Group | A-17 - A-18 |
| Exterior Body Group | A-19 - A-22 |
| Galley Group | A-23 |
| Heating & Air Conditioning Group | A-24 |
| Interior Finish Group | B-1 - B-2 |
| L.P. Group | B-3 |
| Lounge Group | B-3 |
| Water & Sewage Group | B-4 |
| Window, Vent & Exterior Door Group | B-5 - B-14 |

| Key | Part Number | U/M | Description |
|-----|-----------------|-----|--|
| 1 | 020751-03-000 | EA | Window Assembly - Rear Escape - 23" x 29" Black Anod. w/o Inside Frame |
| 2 | 002174-01-000 | EA | Glass - Window - 1/8" x 19.61" x 25.92" |
| 3 | 002285-01-000 | FT | Filler - Weatherstrip - Black |
| 4 | 020395-01-000 | EA | Slip Ring - Escape Window |
| 5 | 004363-01-000 | FT | Tape - Foam - 3/16" x 1/2" - Grey |
| 6 | 002282-01-000 | FT | Weatherstrip - .125" - Black |
| | 020749-03-000 | EA | Frame - Escape Window - Inside - 23" x 29" (Not included in Window Assembly) |
| | 006199-01-000 | EA | Label - Exit - Escape Window |
| | Not Illustrated | | |

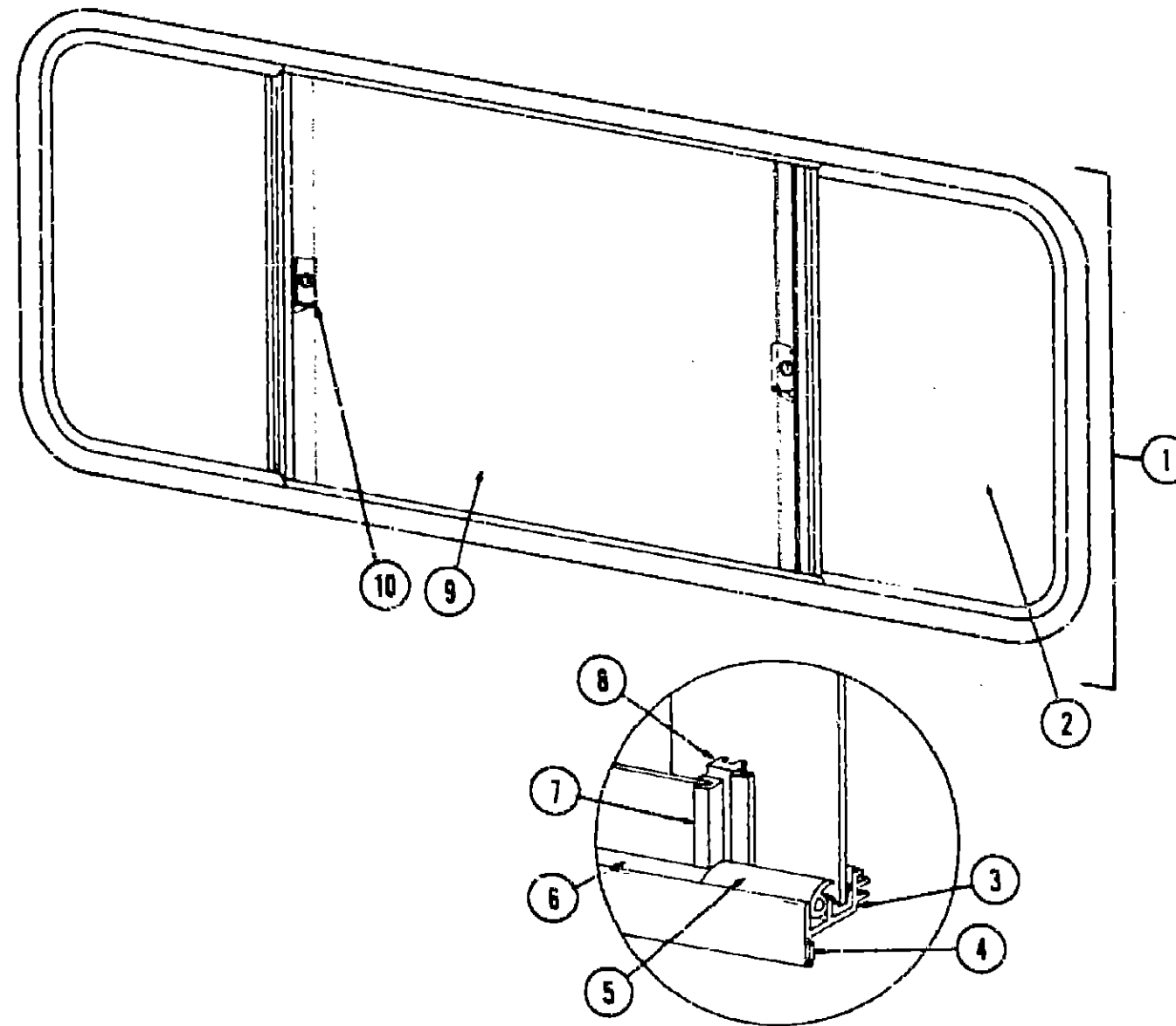
| Key | Part Number | U/M | Description |
|-----|-----------------|-----|--|
| 1 | 017203-03-000 | EA | Window Assembly - Black - Radius - Right Slanted Slider w/o Inside Frame |
| | 017754-03-000 | EA | Window Assembly - Black - Radius - Left Slanted Slider w/o Inside Frame |
| 2 | 002189-01-000 | EA | Glass - 1/8" x 22" x 23.569" |
| 3 | 002324-01-000 | FT | Channel - Weatherstrip - Glass Run - 1/8" Glass |
| 4 | 004363-01-000 | FT | Tape - Foam - 3/16" x 1/2" - Grey |
| 5 | 024096-01-000 | FT | Seal - Window Channel - Grey |
| 6 | 002309-02-000 | FT | Spline - Glass - 1/8" - Black |
| 7 | 018025-03-000 | EA | Holder - Glass Seal - Black Anod |
| 8 | 041894-02-000 | EA | Mullion - Slider Window - 23" - Black Anod. |
| 9 | 002180-01-000 | EA | Glass - 1/8" x 22" x 19.051" |
| 10 | 023275-01-000 | EA | Latch Assembly - Window |
| | 017755-05-000 | EA | Frame - Inside - Front Slanted Slider - Brown - Right |
| | 017755-06-000 | EA | Frame - Inside - Front Slanted Slider - Brown - Left |
| | 020834-01-000 | EA | Screen Assembly - Slider |
| | 023713-02-000 | EA | Cover - Weephole - Plastic - Black |
| | Not Illustrated | | |

WINDOW, VENT AND EXTERIOR DOOR GROUP (CONTINUED)



| Key | Part Number | U/M | Description |
|-----|--------------------------------|-----|--|
| 1 | 048631-07-000 | EA | Window Assembly - Right Single Slider - 23" x 29" - w/Plastic Latch w/o Inside Frame (Requires Z Style Inside Frame) |
| 2 | 047813-01-000 002186-01-000 | EA | Glass - Sliding - 1/8" x 22" x 13.68" w/Holes (Used w/Plastic Latch) |
| 3 | 002324-01-000 | FT | Channel - Weatherstrip - Glass Run - 1/8" Glass |
| 4 | 004363-01-000 | FT | Tape - Foam - 3/16" x 1/2" - Grey |
| 5 | 024096-02-000 | FT | Seal - Window Channel - Black (Used in Window w/Z Style Inside Frame) |
| 6 | 002283-01-000 | FT | Seal - Window Channel (Used in Window w/T Style Inside Frame) |
| 7 | 018025-03-000 | EA | Holder - Glass Seal - 23" - Black Anod. |
| 8 | 041894-02-000 | EA | Mullion - Slider Window - 23" - Black Anod. (Used in Window w/Z Style Inside Frame) |
| | 018014-01-000 | EA | Mullion - Slider Window - 22" - Black Anod. (Used in Window w/T Style Inside Frame) |
| 9 | 002184-01-000 | EA | Glass - TP - Stationary |
| 10 | 047369-01-700 | EA | Latch - Window - Plastic w/Fastener |
| | 023275-01-000 | EA | Latch - Window - Aluminum |
| | 041839-01-000 | FT | Tape - Foam - Aluminum Window Latch |
| | 002298-01-000 | FT | Spline - Screen - .130" Diameter - Grey |
| | 002293-01-000 | SF | Screen - Window - 26" - Grey |
| | 023713-02-000 | EA | Cover - Weephole - Black Plastic |
| | 042147-01-000 | EA | Frame - Window - Inside - 23" x 29" (Z Style) |
| | 018027-01-000 | EA | Frame - Window - Inside - 23" x 29" (T Style) |

WINDOW, VENT AND EXTERIOR DOOR GROUP (CONTINUED)



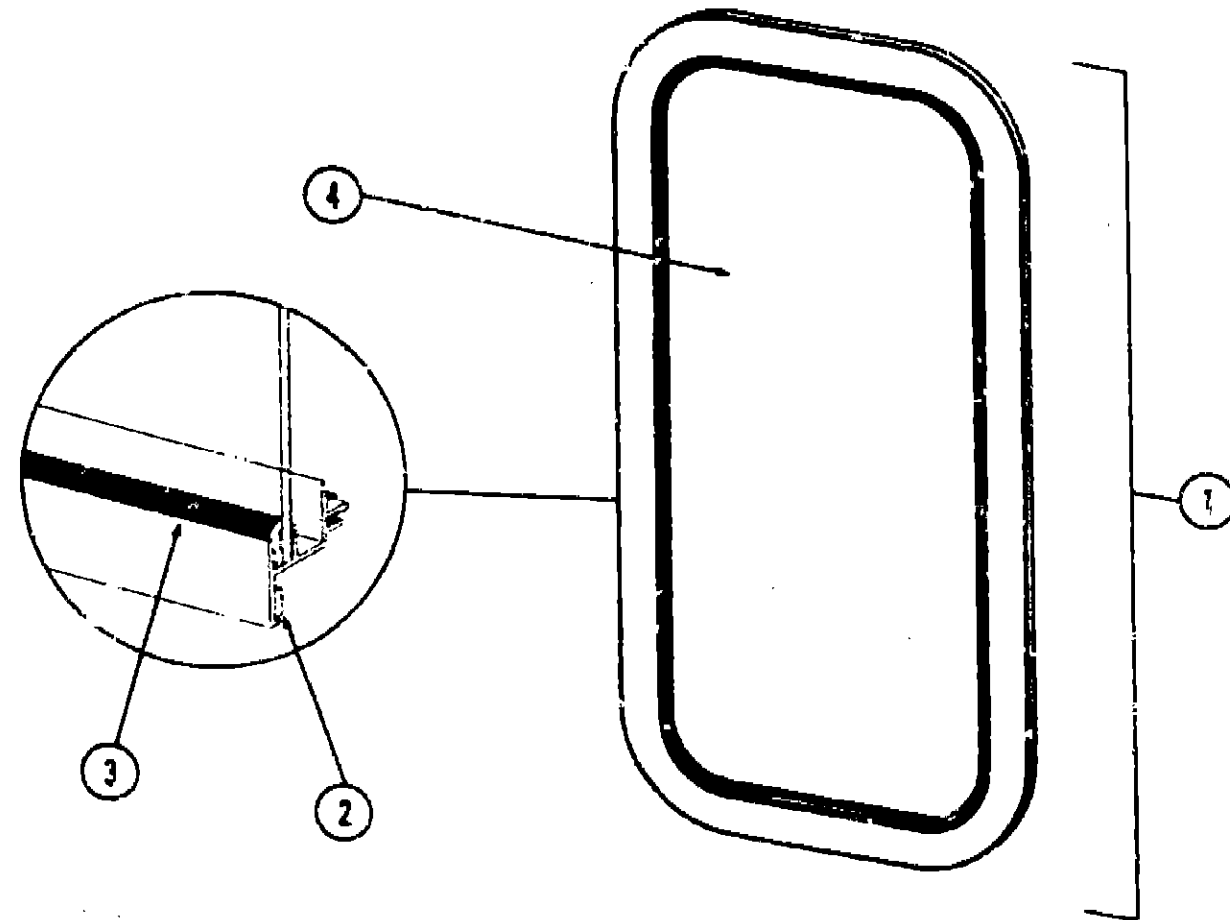
| Key | Part Number | U/M | Description |
|-----|--------------------------------|-----|--|
| 1 | 048630-04-000 | EA | Window Assembly - Double Slider - 23" x 65" - Black Anod. w/Plastic Latch - w/o Inside Frame (Requires Z Style Inside Frame) |
| 2 | 047823-01-000 002187-01-000 | EA | Glass - 1/8" x 22" x 21.03" - Sliding w/Holes (Used w/Plastic Latch) |
| 3 | 002324-01-000 | FT | Channel - Weatherstrip - Glass Run - 1/8" Glass |
| 4 | 004363-01-000 | FT | Tape - Foam - 3/16" x 1/2" - Grey |
| 5 | 024096-01-000 | FT | Spline - Glass (Used in Windows w/Z Style Inside Frame) |
| 6 | 002283-01-000 | FT | Seal - Window Channel (Used in Window w/T Style Inside Frame) |
| 7 | 002309-02-000 | FT | Spline - Glass - 1/8" - Black |
| 8 | 018025-03-000 | EA | Holder - Glass Seal - 23" - Black Anod. |
| 9 | 041894-02-000 | EA | Mullion - Slider Window - 23" - Black Anod. (Used in Window w/Z Style Inside Frame) |
| 10 | 018014-01-000 | EA | Mullion - Slider Window - 22" - Black Anod. (Used in Window w/T Style Inside Frame) |
| | 002188-01-000 | EA | Glass - 1/8" x 22" x 21.03" - Stationary |
| | 047369-01-700 | EA | Latch - Window Plastic w/Fastener |
| | 023275-01-000 | EA | Latch - Window - Aluminum |
| | 041839-01-000 | FT | Tape - Foam - Aluminum Window Latch |
| | 002298-01-000 | FT | Spline - Screen - .130" Diameter - Grey |
| | 002293-01-000 | SF | Screen - Window - 26" - Grey |
| | 023713-02-000 | EA | Cover - Weephole - Black Plastic |
| | 042133-02-000 | EA | Frame - Window - Inside - 23" x 65" (Z Style) |
| | 018016-01-000 | EA | Frame - Window - Inside - 23" x 65" (T Style) |
| | | | Not Illustrated |

1975 WINNEBAGO TABLE OF CONTENTS

| | |
|--------------------|-------------|
| Introduction | A-1 |
| Abbreviations | A-1 |
| Alphabetical Index | A-2 - A-4 |
| D25C | A-5 - B-14 |
| D25CL | B-15 - C-24 |
| D27C | D-1 - E-10 |
| D27CL | E-11 - F-20 |
| D29CURB | F-21-H-6 |
| D27CU | H-7 - I-18 |
| D27CUL | I-19 - K-6 |
| D25CU | K-7 - L-16 |

1975 D25C INDEX

| | |
|------------------------------------|-------------|
| Floor Plan | A-5 - A-6 |
| Accessories Group | A-7 - A-8 |
| Bath Group | A-9 |
| Chassis Group | A-9 - A-10 |
| Curtain, Cushion & Pad Group | A-11 - A-14 |
| Dinette Group | A-15 |
| Driver's Compartment Group | A-15 - A-16 |
| Electrical Group | A-17 - A-18 |
| Exterior Body Group | A-19 - A-22 |
| Galley Group | A-23 |
| Heating & Air Conditioning Group | A-24 |
| Interior Finish Group | B-1 - B-2 |
| LP Group | B-3 |
| Lounge Group | B-3 |
| Water & Sewage Group | B-4 |
| Window, Vent & Exterior Door Group | B-5 - B-14 |



| Key | Part Number | U/M | Description |
|-----|---------------|-----|--|
| 1 | 041875-03-000 | EA | Window Assembly - Picture - 13" x 23" w/o Inside Frame (Requires Z Style Inside Frame) |
| 2 | 004363-01-000 | FT | Tape - Foam - 3/16" x 1/2" - Grey |
| 3 | 002309-02-000 | FT | Spline - Glass - 1/8" - Black |
| 4 | 002203-01-000 | EA | Glass - TP - 1/8" x 12" x 19" |
| | 017753-01-000 | EA | Frame - Window - Inside - 13" x 23" Not Included w/Window Assembly (T Style) |
| | 041696-02-000 | EA | Frame - Window - Inside - 13" x 23" Not Included w/Window Assembly (Z Style) |
| | | | Not Illustrated |

VENTS

| Key | Part Number | U/M | Description |
|-----|---------------|-----|--|
| | 009407-01-000 | EA | Vent Asm. - Base - Refrigerator Vent - w/o Cover |
| | 039778-01-000 | EA | Cover - Plastic - Refrigerator Vent |
| | 049352-02-000 | EA | Vent - Stovehood - Outside - Beige (Jensen) |

WINDOWS

| Key | Part Number | U/M | Description |
|-----|---------------|-----|--|
| | 002054-01-000 | EA | Window - 8 1/2" x 17 7/8" - Crank - Right - Hehr |
| | 002056-01-000 | EA | Window - 8 1/2" x 17 7/8" - Crank - Left - Hehr |

WINDSHIELD

| Key | Part Number | U/M | Description |
|-----|---------------|-----|--|
| | 002192-01-000 | EA | Glass - Windshield - 1/4" x 21" x 44.23" |
| | 017748-02-000 | EA | Frame - Windshield - Anodized |
| | 024677-01-000 | FT | Weather Strip |
| | 024678-01-000 | FT | Filler Strip |

ACCESS DOOR

| Key | Part Number | U/M | Description |
|-----|---------------|-----|--|
| | 003182-02-000 | EA | Door - Water Heater - Beige |
| | 016088-01-000 | EA | Door Assembly - 9" x 10" - Beige - Left |
| | 018586-01-000 | EA | Door Assembly - 9" x 10" - Beige - Right |
| | 016633-07-000 | EA | Door Assembly - Refrigerator - Beige |
| | 033333-12-000 | EA | Door Assembly - Battery and Luggage - Beige |
| | 047305-01-000 | EA | Lock Assembly - Key Type w/Clip |
| | 039824-01-000 | EA | Lock Assembly - Twist Type w/Clip |
| | 016945-02-000 | EA | Holder Assembly - Battery and Luggage Door |
| | 031007-05-000 | EA | Door Assembly - Generator - Beige |
| | 007067-01-000 | SF | Insulation - Fiberglass - 1" |
| | 009065-01-000 | EA | Hinge - Continuous Aluminum - 1 1/2" x 96" - Plain |

STORM WINDOWS

| Key | Part Number | U/M | Description |
|-----|---------------|-----|-------------------------------------|
| | 009166-01-000 | EA | Latch - Nylon - Storm Window |
| | 020802-01-000 | EA | Window - Radius - Storm - 22" x 29" |
| | 020803-01-000 | EA | Window - Radius - Storm - 12" x 22" |
| | 020804-01-000 | EA | Window - Radius - Storm - 22" x 64" |

1975 WINNEBAGO
TABLE OF CONTENTS

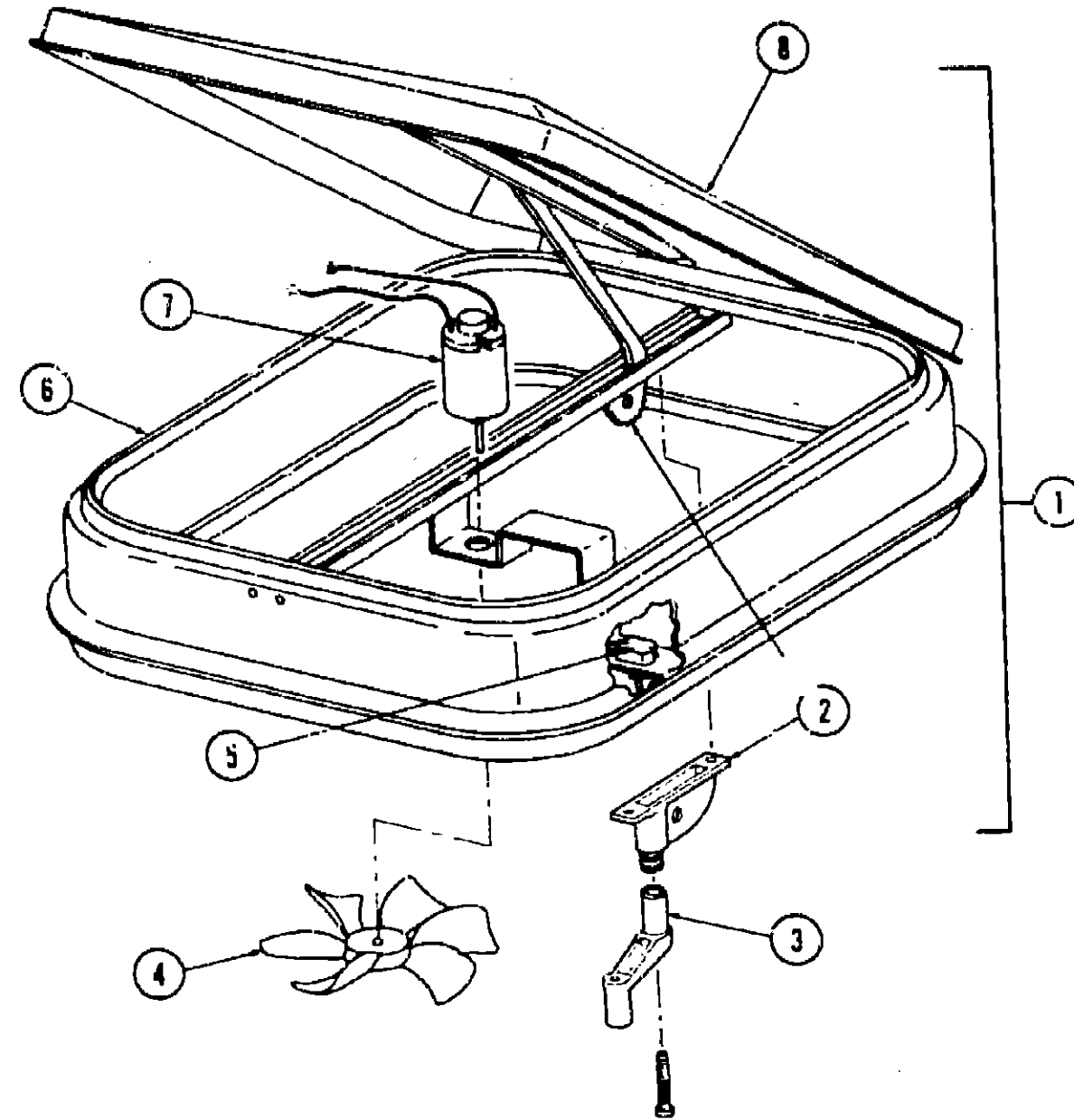
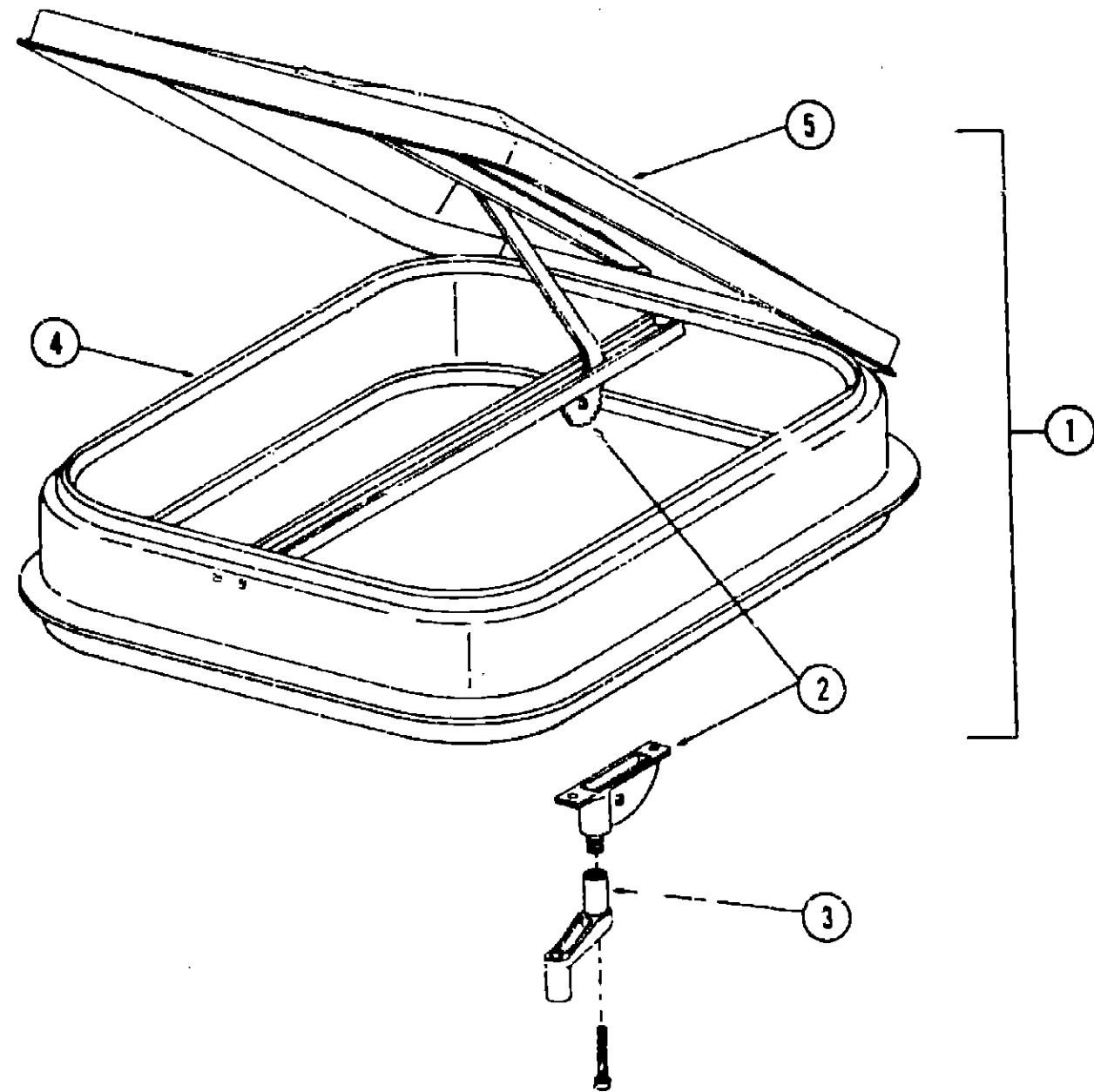
| | |
|--------------------|-------------|
| Introduction | A-1 |
| Abbreviations | A-1 |
| Alphabetical Index | A-2 - A-4 |
| D25C | A-5 - B-14 |
| D25CL | B-15 - C-24 |
| D27C | D-1 - E-10 |
| D27CL | E-11 - F-20 |
| D29CURB | F-21 - H-6 |
| D27CU | H-7 - I-18 |
| D27CUL | I-19 - K-6 |
| D25CU | K-7 - L-16 |

1975 D25C INDEX

| | |
|------------------------------------|-------------|
| Floor Plan | A-5 - A-6 |
| Accessories Group | A-7 - A-8 |
| Bath Group | A-9 |
| Chassis Group | A-9 - A-10 |
| Curtain, Cushion & Pad Group | A-11 - A-14 |
| Dinette Group | A-15 |
| Driver's Compartment Group | A-15 - A-16 |
| Electrical Group | A-17 - A-18 |
| Exterior Body Group | A-19 - A-22 |
| Galley Group | A-23 |
| Heating & Air Conditioning Group | A-24 |
| Interior Finish Group | B-1 - B-2 |
| LP Group | B-3 |
| Lounge Group | B-3 |
| Water & Sewage Group | B-4 |
| Window, Vent & Exterior Door Group | B-5 - B-14 |

WINDOW, VENT AND EXTERIOR DOOR GROUP (CONTINUED)

WINDOW, VENT AND EXTERIOR DOOR GROUP (CONTINUED)



| Key | Part Number | U/M | Description |
|-----|-----------------|-----|---|
| 1 | 048835-01-000 | EA | Vent Asm. - Roof - Nonpowered - w/o Screen |
| 2 | 009440-01-000 | EA | Gear - Arm - Roof Vent |
| 3 | 009439-01-000 | EA | Crank - Roof Vent |
| 4 | 002825-01-000 | FT | Weatherstrip - Roof Vent |
| 5 | 046825-01-000 | EA | Cover - Plastic - Roof Vent |
| • | 016335-01-000 | EA | Screen Asm. - Nonpowered Roof Vent - Clear Anod. (not included in assembly) |
| • | 016335-03-000 | EA | Screen Asm. - Nonpowered Roof Vent - Beige (not included in assembly) |
| • | Not Illustrated | | |

| Key | Part Number | U/M | Description |
|-----|-----------------|-----|--|
| 1 | 048789-01-000 | EA | Vent Asm. - Roof - Powered - w/o Screen |
| 2 | 009440-01-000 | EA | Gear - Arm - Roof Vent |
| 3 | 009439-01-000 | EA | Crank - Roof Vent |
| 4 | 048649-01-000 | EA | Fan - Blade - 6" - Plastic |
| • | 009442-01-000 | EA | Fan - Blade - Alum. |
| 5 | 008195-01-000 | EA | Switch - Push Button - 12 Volt |
| 6 | 002825-01-000 | FT | Weatherstrip - Roof Vent |
| 7 | 048648-01-000 | EA | Motor - 12 Volt (Vent w/Plastic Fan) |
| • | 009441-01-000 | EA | Motor - 12 Volt (Vent w/Alum. Fan) |
| 8 | 046825-01-000 | EA | Cover - Plastic - Roof Vent (Vent w/Plastic Fan) |
| • | 016336-01-000 | EA | Cover - Plastic - Roof Vent (Vent w/Alum. Fan) |
| • | 048625-01-000 | EA | Screen Asm. - Powered Roof Vent - Clear Anod. - Vent w/Plastic Fan (not included w/assembly) |
| • | 016337-01-000 | EA | Screen Asm. - Powered Roof Vent - Clear Anod. - Vent w/Alum. Fan (not included w/assembly) |
| • | Not Illustrated | | |

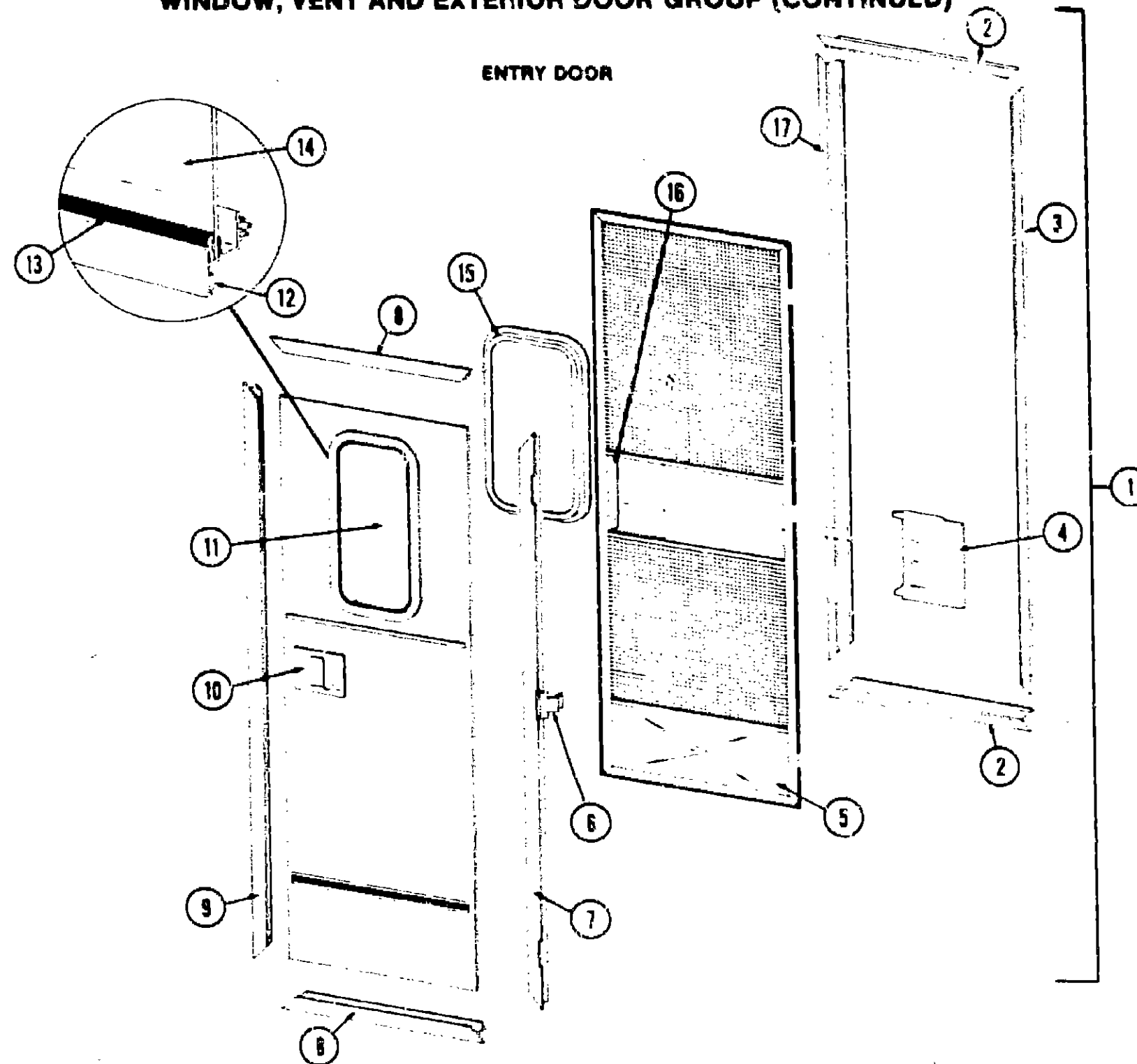
**1975 WINNEBAGO
TABLE OF CONTENTS**

| | |
|--------------------|-------------|
| Introduction | A-1 |
| Abbreviations | A-1 |
| Alphabetical Index | A-2 - A-4 |
| D25C | A-5 - B-14 |
| D25CL | B-15 - C-24 |
| D27C | D-1 - E-10 |
| D27CL | E-11 - F-20 |
| D29CURB | F-21 - H-6 |
| D27CU | H-7 - I-18 |
| D27CUL | I-19 - K-6 |
| D25CU | K-7 - L-16 |

1975 D25C INDEX

| | |
|------------------------------------|-------------|
| Floor Plan | A-5 - A-6 |
| Accessories Group | A-7 - A-8 |
| Bath Group | A-9 |
| Chassis Group | A-9 - A-10 |
| Curtain, Cushion & Pad Group | A-11 - A-14 |
| Dinette Group | A-15 |
| Driver's Compartment Group | A-15 - A-16 |
| Electrical Group | A-17 - A-18 |
| Exterior Body Group | A-19 - A-22 |
| Galley Group | A-23 |
| Heating & Air Conditioning Group | A-24 |
| Interior Finish Group | B-1 - B-2 |
| LP Group | B-3 |
| Lounge Group | B-3 |
| Water & Sewage Group | B-4 |
| Window, Vent & Exterior Door Group | B-5 - B-14 |

WINDOW, VENT AND EXTERIOR DOOR GROUP (CONTINUED)



| Key | Part Number | U/M | Description |
|-----|---------------|-----|--|
| 1 | 031304-02-000 | EA | Door Assembly - Entrance |
| 2 | 023013-02-000 | EA | Jamb - Entry Door - Upper and Lower |
| 3 | 023012-02-000 | EA | Jamb - Entry Door - Right |
| 4 | 015580-01-000 | EA | Slider - Screen Door - Plastic |
| 5 | 016874-01-000 | EA | Door Assembly - Screen - 26" x 73" |
| 6 | 024650-01-000 | EA | Hinge - Entry Door - Screen Door |
| 7 | 017376-02-000 | EA | Frame - Entry Door - Right |
| 8 | 017378-02-000 | EA | Frame - Entry Door - Upper and Lower |
| 9 | 017377-02-000 | EA | Frame - Entry Door - Left |
| 10 | 024094-01-000 | EA | Latch - Entry Door - Hartwell |
| 11 | 041875-03-000 | EA | Window Assembly - Anodized - Radius Picture - 13" x 23" - w/o Inside Frame - Requires Z Style Inside Frame |
| 12 | 004363-01-000 | FT | Tape - Foam - 3/16" x 1/2" - Gray |
| 13 | 002309-02-000 | FT | Spline - Glass - 1/8" - Black |
| 14 | 002181-01-000 | EA | Glass - Picture - 1/8" x 12" x 22" - Gray |
| 15 | 041696-02-000 | EA | Frame - Window Inside - 13" x 23" Not Included w/Window Assembly - T Style |

| Key | Part Number | U/M | Description |
|-----|---------------|-----|--|
| | 017753-01-000 | EA | Frame - Window Inside - 13" x 23" Not Included w/Window Assembly - Z Style |
| 16 | 015581-01-000 | EA | Cap - Screen Door - Plastic |
| 17 | 023011-02-000 | EA | Jamb - Entry Door - Left |
| | 002702-01-000 | FT | Weatherstrip - Bulb T - Vinyl |
| | 002703-01-000 | FT | Weatherstrip - Bulb L - Vinyl |
| | 002712-01-000 | EA | Hinge Pin - Upper |
| | 002718-01-000 | EA | Hinge Pin - Lower |
| | 002002-01-000 | EA | Drip Cap - 31" - Aluminum |
| | 009011-01-000 | EA | Lock - Deadbolt - 2 3/4" |
| | 039863-01-000 | EA | Catch Assembly - Single Roller w/Strike - Screen Door |
| | 009016-01-000 | EA | Catch - Elbow - Spring Loaded - Screen Door |
| | | | Not Illustrated |

1975 WINNEBAGO TABLE OF CONTENTS

| | |
|--------------------|-------------|
| Introduction | A-1 |
| Abbreviations | A-1 |
| Alphabetical Index | A-2 - A-4 |
| D25C | A-5 - B-14 |
| D25CL | B-15 - C-24 |
| D27C | D-1 - E-10 |
| D27CL | E-11 - F-20 |
| D29CURB | F-21-H-6 |
| D27CU | H-7 - I-18 |
| D27CUL | I-19 - K-6 |
| D25CU | K-7 - L-16 |

1975 D25C INDEX

| | |
|------------------------------------|-------------|
| Floor Plan | A-5 - A-6 |
| Accessories Group | A-7 - A-8 |
| Bath Group | A-9 |
| Chassis Group | A-9 - A-10 |
| Curtain, Cushion & Pad Group | A-11 - A-14 |
| Dinette Group | A-15 |
| Driver's Compartment Group | A-15 - A-16 |
| Electrical Group | A-17 - A-18 |
| Exterior Body Group | A-19 - A-22 |
| Galley Group | A-23 |
| Heating & Air Conditioning Group | A-24 |
| Interior Finish Group | B-1 - B-2 |
| LP Group | B-3 |
| Lounge Group | B-3 |
| Water & Sewage Group | B-4 |
| Window, Vent & Exterior Door Group | B-5 - B-14 |