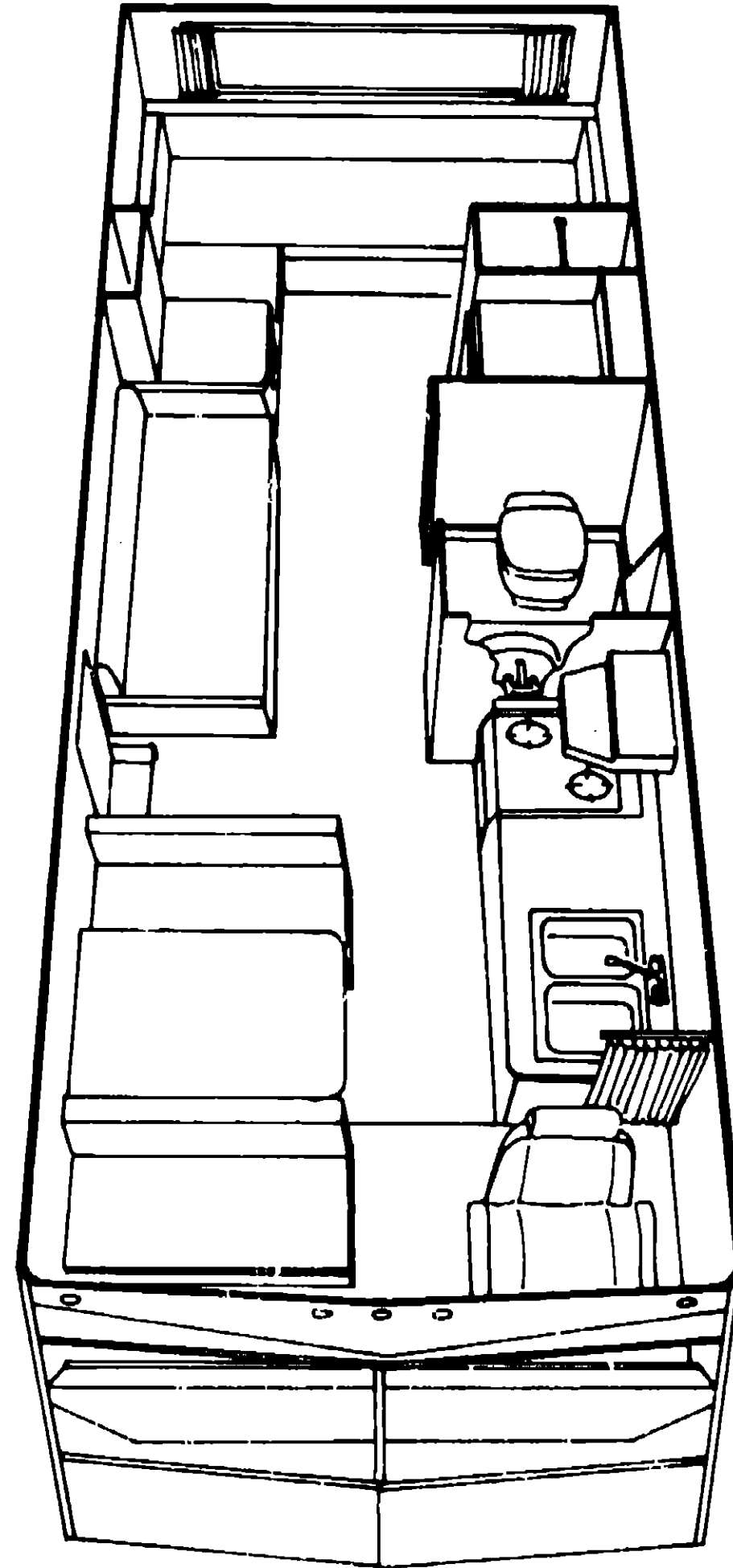


1975

D24



**1975 WINNEBAGO
TABLE OF CONTENTS**

MWRG
MWRB
MWRD
D24

A-1 - B-6
B-7 - C-14
C-15 - D-20
D-21 - F-6

1975 D24 INDEX

Floor Plan	D-21 - D-22
Accessories Group	D-23 - D-24
Bath Group	E-1
Chassis Group	E-2
Curtain, Cushion & Pad Group	E-3 - E-5
Dinette Group	E-5
Driver's Compartment Group	E-6
Electrical Group	E-7 - E-8
Exterior Body Group	E-9 - E-12
Galley Group	E-13
Heating & Air Conditioning Group	E-14
Interior Finish Group	E-15 - E-16
LP Group	E-17
Lounge Group	E-17
Water & Sewage Group	E-18
Window, Vent & Exterior Door Group	E-19 - E-24
	F-1 - F-6

ACCESSORIES GROUP

RADIOS AND RELATED COMPONENTS

Key	Part Number	U/M	Description
	031105-01-000	EA	Antenna - Radio - Side Mount
	031105-01-700	EA	Clip - Retaining - Side Mount Antenna
	039879-01-000	EA	Kit - Radio Speaker - 5 1/4" - w/Padded Cover
	031127-01-000	EA	Speaker - Radio - w/Plastic Cover
	049730-01-000	EA	Radio - AM w/Fader - Clarion
	049732-01-000	EA	Radio - AM/FM/MPX - 8 Track w/Fader - Clarion
	049731-01-000	EA	Radio - AM/FM/MPX - w/Fader - Clarion
	048146-01-000	EA	Radio - CB - 123A - Johnson
	048153-01-000	EA	Antenna - CB - Camper Style

SPEED CONTROLS AND COMPONENTS

Key	Part Number	U/M	Description
	007256-01-000	EA	Speed Control Package - 318 Dodge - Lever Type - A-Body
	007255-01-700	EA	Regulator Asm.
	007255-01-701	EA	Servo Asm. - (18)
	024746-01-702	EA	Switch - Engage Lever
	007255-01-703	EA	Cable Asm. - Transmission - 42"
	007255-01-704	EA	Switch Asm. - Decelerate
	024746-01-700	EA	Relay - Speed Control
	024746-01-000	EA	Speed Control Package - 440 Dodge - Lever Type - A-Body
	024746-01-701	EA	Servo Asm. (440)

GENERATORS AND INSTALLATION HARDWARE

Key	Part Number	U/M	Description
	007059-01-000	EA	Generator - 2500 Watt Onan
	007292-01-000	EA	Muffler - Generator - Screw On
	007290-01-000	EA	Tailpipe - Generator Exhaust - 1.62" x 17"
	007291-01-000	EA	Elbow - Generator Exhaust - 1 3/8" O.D. x 180°
	024732-01-003	EA	Tailpipe - Steel Tube - 1.5" O.D. - 33" - 18 Gauge
	007125-01-000	EA	Clamp Asm. - Muffler - 1.62" Dia.
	007125-03-000	EA	Clamp Asm. - Muffler - 1.50" Dia.
	007131-01-000	EA	Hanger - Tailpipe - Universal Mounting
	042865-01-000	EA	Scoop - Generator Air
	007061-01-000	EA	Generator - 4000 Watt - CCK - Onan
	023275-02-000	EA	Tray - Generator - Sliding
	007067-01-000	SF	Insulation - Fiberglass - 1"
	031035-01-000	EA	Hourmeter - Generator
	024976-01-000	EA	Switch - Generator w/o Circuit Board
	037387-01-000	EA	Switch - Generator w/Circuit Board
	007059-02-000	EA	Bolt Package - Generator Mounting
	007059-03-000	EA	Foot - Rubber - Generator Mounting
	039237-01-000	EA	Kit - Generator Installation - 4000 Watt - Hardware - w/o Bolt Package or Rubber Feet
	039235-01-000	EA	Kit - Generator Installation - 2500 LK - Hardware w/o Bolt Package or Rubber Feet

ACCESSORIES GROUP (CONTINUED)

MISCELLANEOUS ACCESSORIES

Key	Part Number	U/M	Description
	006053-01-000	EA	Antenna - TV - Roof Mount - Braund Delux
	006093-01-000	EA	Jack - TV Antenna - Brown
	041944-01-700	EA	Fire Extinguisher - Dry Chemical w/Bracket
	034410-02-000	EA	Cover - Spare Tire
	038686-01-000	EA	Rack and Ladder Asm. - Roof
	038686-02-000	EA	Ladder Only for Rack and Ladder Asm.
	007017-01-000	EA	Mat - Floor - Black Rubber
	007038-01-000	EA	Mat - Floor - Black Rubber - 10 1/2" x 26"
	006113-01-000	EA	Jack - Hydraulic - 5 Ton w/Handle
	006091-01-000	EA	Tray - Cutlery - Gold Plastic
	006060-01-000	EA	Water Purification System - Everpure
	006060-02-000	EA	Cartridge - Replacement - Water Purification System - Everpure
	031324-02-000	EA	Mirror - Outside - w/Convex - Off White
	022299-01-000	EA	Mirror - Outside - 5 1/2" x 15 1/2" - White
	031396-01-000	EA	Cover - Wheel - 17.5" - Chrome
	006069-01-000	EA	Case - Leather Key - Motorhome
	006076-01-000	EA	Ladder - Bunk - 66" Alum.

1975 WINNEBAGO TABLE OF CONTENTS

MWRG	A-1 - B-6
MWRB	B-7 - C-14
MWRD	C-15 - D-20
D24	D-21 - F-6

1975 D24 INDEX

Floor Plan	D-21 - D-24
Accessories Group	D-23 - D-24
Bath Group	E-1
Chassis Group	E-2
Curtain, Cushion & Pad Group	E-3 - E-5
Dinette Group	E-5
Driver's Compartment Group	E-6
Electrical Group	E-7 - E-8
Exterior Body Group	E-9 - E-12
Galley Group	E-13
Heating & Air Conditioning Group	E-14
Interior Finish Group	E-15 - E-16
LP Group	E-17
Lounge Group	E-17
Water & Sewage Group	E-18
Window, Vent & Exterior Door Group	E-19 - E-24
	F-1 - F-6

BATH GROUP

Key	Part Number	U/M	Description
	034902-03-700	EA	Door Asm. - Bathroom - 18" x 68 1/4" - w/o Hardware
	011056-01-000	EA	Faucet - Lavatory
	031878-01-000	EA	Shower Head - w/40" Hose
	034812-01-000	EA	Sink - Lavatory - Plastic
	034894-01-000	EA	Shower Pan - 30" x 35" - White Plastic
	011086-01-000	EA	Strainer - Shower Pan
	006098-01-000	EA	Mirror - 1/8" x 9" x 16" - Beveled
	009089-01-000	EA	Clip - Mirror
	009252-01-000	EA	Cabinet - Medicine - Gold - Strawsine
	009256-01-000	EA	Mirror - Medicine Cabinet Door - 9 7/8" x 14 7/8"
	009133-01-000	EA	Bar - Towel Rack - 12" Plastic
	009134-01-000	EA	Holder - Tissue
**	033327-01-000	EA	Toilet - Electra Magic w/o Seat and Lid
**	039341-01-000	EA	Toilet - Aqua Magic - Model SH - White - w/o Seat and Lid

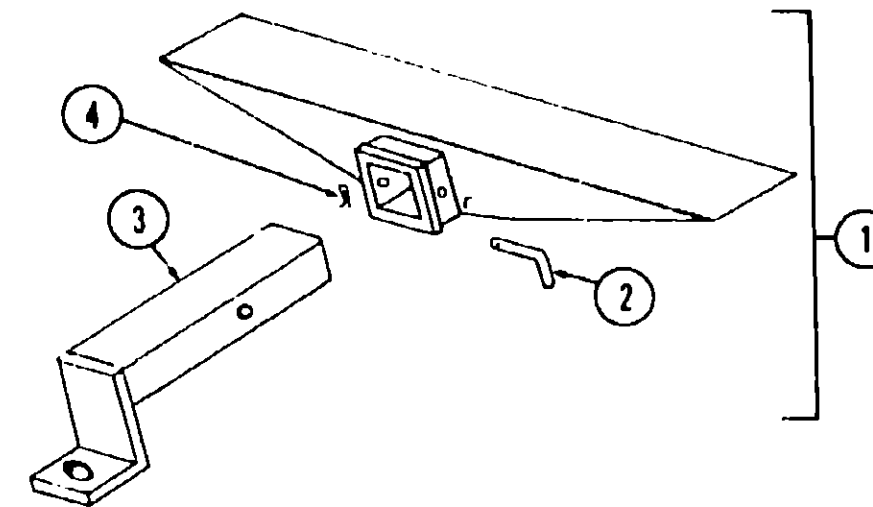
**The illustrated parts breakdown for this item is provided on the Common Items Fiche.

CHASSIS GROUP

Key	Part Number	U/M	Description
	023496-02-000	EA	Bracket - Front Bumper - Off White (2 used per Bumper)
	035552-01-000	EA	Bumper Asm. - Front - Off White
	035151-01-000	EA	Bumper Asm. - Rear - Square - 4" x 4" x 07"
	039779-01-000	EA	End Cap - Bumper - 4" x 4" Black Rubber
	035116-01-000	EA	Hoodboard - Steel - Left
	035117-01-000	EA	Hoodboard - Steel - Right
	035102-01-000	EA	Cover - Radiator - Rear
	035142-01-000	EA	Cover - Radiator - Front
	035260-01-000	EA	Wheelwell - Rear - Black Plastic - Left or Right
	007325-01-000	EA	Tank Aux. Fuel - 20 Gallon
	024591-02-000	EA	Fill - Gas w/Vent - 4.50" Long
	024611-01-000	EA	Cap - Gas - Pressure - 1.50" - Black
	007111-01-000	FT	Hose - Fuel - 2 1/4" I.D. x 3' Long
	022150-01-000	EA	Bracket - Rear Bumper
	035546-01-000	EA	Tray - Dual Battery
	022735-02-000	EA	Tray - Generator - Sliding
	040046-01-000	EA	Compartment - LP - Plastic
	046775-01-000	EA	Valve - Gas Changeover
	017515-01-000	EA	Mud Flap - Black w/Holes

1975 WINNEBAGO TABLE OF CONTENTS

MWRG	A-1 - B-6
MWRB	B-7 - C-14
MWRD	C-15 - D-20
D24	D-21 - F-6



Key	Part Number	U/M	Description
1	023595-01-700	EA	Hitch Kit - w/Drawbar
2	034512-01-000	EA	Pin - Locking Drawbar
3	024876-01-700	EA	Drawbar Asm. - Trailer Hitch - Primed
4	034513-01-000	EA	Pin - Hitch - 3/16" - Wire

1975 D24 INDEX

Floor Plan	D-21 - D-22
Accessories Group	D-23 - D-24
Bath Group	E-1
Chassis Group	E-2
Curtain, Cushion & Pad Group	E-3 - E-5
Dinette Group	E-5
Driver's Compartment Group	E-6
Electrical Group	E-7 - E-8
Exterior Body Group	E-9 - E-12
Galley Group	E-13
Heating & Air Conditioning Group	E-14
Interior Finish Group	E-15 - E-16
LP Group	E-17
Lounge Group	E-17
Water & Sewage Group	E-18
Window, Vent & Exterior Door Group	E-19 - E-24
	F-1 - F-6

CURTAIN, CUSHION AND PAD GROUP

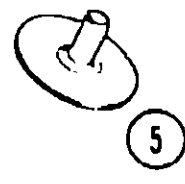
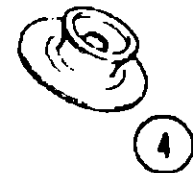
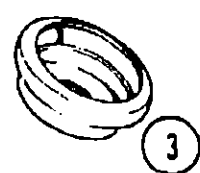
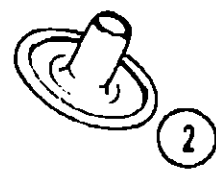
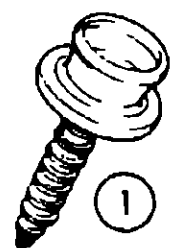
CURTAIN, CUSHION AND PAD GROUP (CONTINUED)

CURTAINS, VALANCES AND TIE BACKS

Key	Part Number	U/M	Description
	035523-06-000	EA	Curtain - 24" x 40" - Green/Gold
	035523-07-000	EA	Curtain - 24" x 40" - Orange
	035523-10-000	EA	Curtain - 24" x 63" - Green/Gold
	035523-11-000	EA	Curtain - 24" x 63" - Orange
	035523-12-000	EA	Curtain - 24" x 54" - Green/Gold
	035523-13-000	EA	Curtain - 24" x 54" - Orange
	036823-02-000	EA	Curtain - 24" x 78" - Green/Gold
	036823-03-000	EA	Curtain - 24" x 78" - Orange
	033316-04-000	EA	Curtain - Wraparound - Green/Gold
	033316-05-000	EA	Curtain - Wraparound - Orange
	035612-04-000	EA	Curtain - Rear Privacy - 60" x 50" - Green/Gold
	035612-05-000	EA	Curtain - Rear Privacy - 60" x 50" - Orange
	033311-04-000	EA	Curtain - Blackout - 36" x 48" - Oxen Tan Vinyl
	031817-59-000	EA	Valance - 38" - Green/Gold
	031917-60-000	EA	Valance - 38" - Orange
	031843-12-000	EA	Tie Back - Curtain - 12" - Green/Gold
	031843-13-000	EA	Tie Back - Curtain - 12" - Orange

CURTAIN HARDWARE

Key	Part Number	U/M	Description
	009221-01-000	EA	Rod - Curtain - Flat - Extends 11" - 14"
	037872-01-000	EA	Rod - Curtain - Double - Flat - Extends - 48" - 84"
	037872-02-000	EA	Bracket - Double Curtain Rod
	037872-03-000	EA	Rod - Curtain - Double - Flat - Extends - 28" - 48"
	052327-04-236	EA	Curtain Track - 89" Brown Alum. w/Holes (Replaces 009108-01-000 Brown Plastic Track)
	009107-01-000	EA	Guide - Nylon - Curtain
	009701-01-000	EA	Carrier w/Rollers - Curtain - "L" Rod
	009702-01-000	EA	End Stop - Curtain Track - "L" Rod
	018031-42-000	EA	Track - Curtain - "L" Rod Alum. - 90"
	009136-01-000	EA	Hook - Shower Curtain
	029100-01-000	EA	Hook - Privacy Curtain
	035428-01-000	EA	Track - Wraparound Curtain - Right
	035428-02-000	EA	Track - Wraparound Curtain - Left



Key	Part Number	U/M	Description
1	029130-01-000	EA	Socket - Snap Fastener - 7 x 5/8" (Tie Backs)
2	029155-01-000	EA	Cap - Snap - .156" Dia. x .17" Barrel (Tie Backs)
3	029156-01-000	EA	Socket - Snap Fastener (Tie Backs)
4	029092-01-000	EA	Stud - Nickel Finish (Curtains)
5	029093-01-000	EA	Eyelet - Nickel Finish (Curtains)

BUCKET SEATS, ARMRESTS AND HEADRESTS

Key	Part Number	U/M	Description
	033895-01-000	EA	Seat Asm. - Single Bucket w/o Slides - Oxen Tan Vinyl
	033914-01-000	EA	Cover - Single Bucket Seat - Back - Oxen Tan Vinyl
	033958-01-000	EA	Cover - Single Bucket Seat - Bottom - Oxen Tan Vinyl
	033903-01-000	EA	Armrest Asm. - Right - Oxen Tan Vinyl
	033904-01-000	EA	Armrest Asm. - Left - Oxen Tan Vinyl
	033905-01-000	EA	Headrest Asm. - Oxen Tan Vinyl
	029038-01-000	EA	Fastener - Grip - Armrest - 3/8"
	029039-01-000	EA	Fastener - Grip - Armrest - 1/2"
	029136-01-000	EA	Grommet - Headrest - Brown Nylon
	031133-01-000	EA	Protector - Brown Plastic - Bucket Seat Back Corner

DINETTE CUSHIONS

Key	Part Number	U/M	Description
	035515-11-000	EA	Cushion - Flip Seat - Bottom - 21" x 38" - Green
	035515-13-000	EA	Cushion - Flip Seat - Bottom - 21" x 38" - Gold
	035515-15-000	EA	Cushion - Flip Seat - Bottom - 21" x 38" - Orange
	035515-11-011	EA	Cover - Flip Seat Bottom Cushion - 21" x 38" - Green
	035515-13-013	EA	Cover - Flip Seat Bottom Cushion - 21" x 38" - Gold
	035515-15-015	EA	Cover - Flip Seat Bottom Cushion - 21" x 38" - Orange
	035515-12-000	EA	Cushion - Flip Seat - Back - 16 1/2" x 38" - Green
	035515-14-000	EA	Cushion - Flip Seat - Back - 16 1/2" x 38" - Gold
	035515-16-000	EA	Cushion - Flip Seat - Back - 16 1/2" x 38" - Orange
	035515-12-012	EA	Cover - Flip Seat Back Cushion - 16 1/2" x 38" - Green
	035515-14-014	EA	Cover - Flip Seat Back Cushion - 16 1/2" x 38" - Gold
	035515-16-016	EA	Cover - Flip Seat Back Cushion - 16 1/2" x 38" - Orange
	035000-49-000	EA	Cushion - Dinette Bottom - 21" x 38" - Green
	035000-50-000	EA	Cushion - Dinette Bottom - 21" x 38" - Gold
	035000-51-000	EA	Cushion - Dinette Bottom - 21" x 38" - Orange
	035000-49-049	EA	Cover - Dinette Bottom Cushion - 21" x 38" - Green
	035000-50-050	EA	Cover - Dinette Bottom Cushion - 21" x 38" - Gold
	035000-51-051	EA	Cover - Dinette Bottom Cushion - 21" x 38" - Orange
	035000-52-000	EA	Cushion - Dinette Back - 17" x 38" - Green
	035000-53-000	EA	Cushion - Dinette Back - 17" x 38" - Gold
	035000-54-000	EA	Cushion - Dinette Back - 17" x 38" - Orange
	035000-52-052	EA	Cover - Dinette Back Cushion - 17" x 38" - Green
	035000-53-053	EA	Cover - Dinette Back Cushion - 17" x 38" - Gold
	035000-54-054	EA	Cover - Dinette Back Cushion - 17" x 38" - Orange

SIDE LOUNGE CUSHIONS

Key	Part Number	U/M	Description
	035000-55-000	EA	Cushion - Bench - 26" x 61 1/2" - Green
	035000-56-000	EA	Cushion - Bench - 26" x 61 1/2" - Gold
	035000-57-000	EA	Cushion - Bench - 26" x 61 1/2" - Orange
	035000-55-055	EA	Cover - Bench Cushion - 26" x 61 1/2" - Green
	035000-56-056	EA	Cover - Bench Cushion - 26" x 61 1/2" - Gold
	035000-57-057	EA	Cover - Bench Cushion - 26" x 61 1/2" - Orange
	035411-06-000	EA	Cushion - Side Lounge - Back - Green
	035411-07-000	EA	Cushion - Side Lounge - Back - Gold
	035411-08-000	EA	Cushion - Side Lounge - Back - Orange

1975 WINNEBAGO TABLE OF CONTENTS

MWRG	A-1 - B-6
MWRB	B-7 - C-14
MWRD	C-15 - D-20
D24	D-21 - F-6

1975 D24 INDEX

Floor Plan	D-21 - D-22
Accessories Group	D-23 - D-24
Bath Group	E-1
Chassis Group	E-2
Curtain, Cushion & Pad Group	E-3 - E-5
Dinette Group	E-5
Driver's Compartment Group	E-6
Electrical Group	E-7 - E-8
Exterior Body Group	E-9 - E-12
Galley Group	E-13
Heating & Air Conditioning Group	E-14
Interior Finish Group	E-15 - E-16
LP Group	E-17
Lounge Group	E-17
Water & Sewage Group	E-18
Window, Vent & Exterior Door Group	E-19 - E-24
	F-1 - F-6

CURTAIN, CUSHION AND PAD GROUP (CONTINUED)

REAR LOUNGE CUSHIONS

Key	Part Number	U/M	Description
	035000-58-000	EA	Cushion - Lounge Bottom - 22" x 85" - Green
	035000-59-000	EA	Cushion - Lounge Bottom - 22" x 85" - Gold
	035000-60-000	EA	Cushion - Lounge Bottom - 22" x 85" - Orange
	035000-58-058	EA	Cover - Lounge Bottom Cushion - 22" x 85" - Green
	035000-59-059	EA	Cover - Lounge Bottom Cushion - 22" x 85" - Gold
	035000-60-060	EA	Cover - Lounge Bottom Cushion - 22" x 85" - Orange
	035000-64-000	EA	Cushion - Lounge Back - 16" x 80 1/2" - Green
	035000-65-000	EA	Cushion - Lounge Back - 16" x 80 1/2" - Gold
	035000-66-000	EA	Cushion - Lounge Back - 16" x 80 1/2" - Orange
	035000-64-064	EA	Cover - Lounge Back Cushion - 16" x 80 1/2" - Green
	035000-65-065	EA	Cover - Lounge Back Cushion - 16" x 80 1/2" - Gold
	035000-66-066	EA	Cover - Lounge Back Cushion - 16" x 80 1/2" - Orange
	035000-61-000	EA	Cushion - 24" x 26" - Green
	035000-62-000	EA	Cushion - 24" x 26" - Gold
	035000-63-000	EA	Cushion - 24" x 26" - Orange
	035000-61-061	EA	Cover - Cushion - 24" x 26" - Green
	035000-62-062	EA	Cover - Cushion - 24" x 26" - Gold
	035000-63-063	EA	Cover - Cushion - 24" x 26" - Orange
	035000-67-000	EA	Cushion - 24" x 16 1/2" - Green
	035000-68-000	EA	Cushion - 24" x 16 1/2" - Gold
	035000-69-000	EA	Cushion - 24" x 16 1/2" - Orange
	035000-67-067	EA	Cover - Cushion - 24" x 16 1/2" - Green
	035000-68-068	EA	Cover - Cushion - 24" x 16 1/2" - Gold
	035000-69-069	EA	Cover - Cushion - 24" x 16 1/2" - Orange

FABRICS

Key	Part Number	U/M	Description
	024927-02-000	YD	Fabric - Upholstery - Green
	024927-01-000	YD	Fabric - Upholstery - Gold
	024927-03-000	YD	Fabric - Upholstery - Orange
	024925-01-000	YD	Fabric - Drapery - Green/Gold
	024925-02-000	YD	Fabric - Drapery - Orange
	024918-03-000	YD	Vinyl - Oxen Tan

DINETTE GROUP

Key	Part Number	U/M	Description
	034910-06-700	EA	Table Asm. - Dinette - Butcher Block
	047842-01-000	EA	Kit - Hardware - Table Leg
	047809-01-000	EA	Kit - Table Hardware - Wall Mount
	034909-04-000	EA	Seat Asm. - Dinette - Rear
	034911-01-000	EA	Seat Asm. - Dinette - Flip - Flop

DRIVER'S COMPARTMENT GROUP

Key	Part Number	U/M	Description
	035595-01-000	EA	Dash Asm. - Complete w/Switches and Gauges
	034892-01-000	EA	Bezel - Dash - Plastic
	035508-01-000	EA	Pad - Dash - Upper
	035509-01-000	EA	Pad - Dash - Lower
	036197-01-000	EA	Bezel - Dash - Steel
	007037-01-000	EA	Lighter - Cigarette - 12 Volt
	007041-01-000	EA	Bezel - Cigarette Lighter
	007071-01-000	EA	Louver - Chrome - w/Chrome Wheel (A/C)
	023020-01-000	EA	Lamp Asm. - Tell Tale
	024418-01-000	EA	Lamp Asm. - Map/Gauge
	007069-01-000	EA	Outlet - Defroster - 2" Dia.

DASH SWITCHES, GAUGES AND CONTROLS

Key	Part Number	U/M	Description
	008222-01-000	EA	Switch - Windshield Washer
	008242-01-000	EA	Switch - Windshield Wiper
	024976-01-000	EA	Switch - Generator w/o Circuit Board
	037387-01-000	EA	Switch - Generator w/Circuit Board
	024465-01-000	EA	Switch - Fuel Changeover
	035476-01-000	EA	Switch - 2 Speed Fan - Evans Heater
	035424-01-000	EA	Cable Heater - Temperature
	035424-02-000	EA	Cable - Fresh Air - Heater
	035424-03-000	EA	Cable - Defroster
	008131-01-000	EA	Light - Dash - Post
	031373-01-000	EA	Gauge - Aux. Fuel

BUCKET SEAT PEDESTAL AND SEAT BELTS

Key	Part Number	U/M	Description
	041459-01-000	EA	Pedestal - Top - Single Seat
	041654-01-000	EA	Pedestal Base - Single or Double Seat - w/Tightener
	038832-01-000	EA	Rod - Seat Adjuster
	007223-01-000	EA	Adjuster Asm. - Seat w/Lock
	007227-01-000	EA	Adjuster Asm. - Seat w/o Lock
	007019-01-000	EA	Belt Asm. - Seat - 2" x 84" - Black
	007021-01-000	EA	Belt Asm. - Seat - 2" x 90" - Black
	041322-01-000	EA	Washer - Flat - 15/32" I.D. x 2 3/8" O.D. - Seat Belt

MISCELLANEOUS DRIVER'S COMPARTMENT COMPONENTS

Key	Part Number	U/M	Description
	022758-02-000	EA	Sunvisor Asm. - Right - Oxen Tan
	022759-02-000	EA	Sunvisor Asm. - Left - Oxen Tan
	034800-01-000	EA	Cover - Motor - Plastic
	035368-01-000	EA	Seal - Motor Cover - Alum.
	035537-01-000	EA	Pad - Windshield Support
	007278-01-000	EA	Mirror - Inside Rear View
	039857-01-000	EA	Latch - Rubber Draw Handle - 5 3/4" w/Strike (Motor Cover)
	039856-01-000	EA	Latch - Rubber Draw Handle - 3" w/Strike (Motor Cover)
	041842-01-000	EA	Clip - Retaining - Sunvisor
	009143-01-000	EA	Mirror - Sunvisor

**1975 WINNEBAGO
TABLE OF CONTENTS**

MWRG	A-1 - B-6
MWRB	B-7 - C-14
MWRD	C-15 - D-20
D24	D-21 - F-6

1975 D24 INDEX

Floor Plan	D-21 - D-22
Accessories Group	D-23 - D-24
Bath Group	E-1
Chassis Group	E-2
Curtain, Cushion & Pad Group	E-3 - E-5
Dinette Group	E-5
Driver's Compartment Group	E-6
Electrical Group	E-7 - E-8
Exterior Body Group	E-9 - E-12
Galley Group	E-13
Heating & Air Conditioning Group	E-14
Interior Finish Group	E-15 - E-16
LP Group	E-17
Lounge Group	E-17
Water & Sewage Group	E-18
Window, Vent & Exterior Door Group	E-19 - E-24
	F-1 - F-6

ELECTRICAL GROUP

BULBS

Key	Part Number	U/M	Description
	037935-01-000	EA	Bulb - 1157
	038010-01-000	EA	Bulb - 1143
	008103-01-000	EA	Bulb - 53
	008214-01-000	EA	Bulb - 67
	008215-01-000	EA	Bulb - 1003
	008216-01-000	EA	Bulb - 1034
	008217-01-000	EA	Bulb - 1071
	008218-01-000	EA	Bulb - 1141
	008219-01-000	EA	Bulb - 656
	008220-01-000	EA	Bulb - 12 Volt - 25 Watt
	036196-01-000	EA	Bulb - 194
	700020-01-000	EA	Bulb - 12 Volt - 20 Watt 1333
	008213-01-000	EA	Bulb - 57

EXTERIOR LIGHTS

Key	Part Number	U/M	Description
	008089-01-000	EA	Light - Porch - Recessed
	039866-01-000	EA	Clearance Light Round - Amber w/Base
	039865-01-000	EA	Clearance Light Round - Red w/Base
	033562-01-000	EA	Light - Clearance - Amber - Oval - 2 Bulb w/Ground
	033748-01-000	EA	Light - Clearance - Amber - Oval - 1 Bulb w/Ground
	033748-02-000	EA	Light - Clearance - Red - Oval - 1 Bulb w/Ground
	031054-01-000	EA	Lamp Asm. - Tail - Left - White
	031055-01-000	EA	Lamp Asm. - Tail - Right - White
	031054-01-701	EA	Lens - Taillamp - Left
	031055-01-700	EA	Lens - Taillamp - Right

INTERIOR LIGHTS

Key	Part Number	U/M	Description
	007309-01-000	EA	Light - Stepwell
	024473-01-000	EA	Light - Aircraft - 1 Bulb Gold
	033508-01-000	EA	Light - Dome - 1 Bulb
	033509-01-000	EA	Light - Dome - 2 Bulb
	024642-01-701	EA	Lens - Dome Light - 1 Bulb
	024643-01-701	EA	Lens - Dome Light - 2 Bulb
	039859-01-000	EA	Lighter- w/Night Light & Wall Plate
	008131-01-000	EA	Light - Dash Post

FUSES AND CIRCUIT BREAKERS

Key	Part Number	U/M	Description
	008233-01-000	EA	Fuse - 12 Volt - 6 Amp
	008234-01-000	EA	Fuse - 12 Volt - 10 Amp.
	008235-01-000	EA	Fuse - 12 Volt - 15 Amp.
	008236-01-000	EA	Fuse - 12 Volt - 20 Amp.
	008248-01-000	EA	Fuse - 12 Volt - 30 Amp.
	008278-01-000	EA	Fuse - 12 Volt - 9 Amp.
	008251-01-000	EA	Fuse Holder - Black - Screw Type
	008212-01-000	EA	Circuit Breaker - 12 Volt - 5 Amp.
	008205-01-000	EA	Circuit Breaker - 12 Volt - 40 Amp.
	033573-01-000	EA	Circuit Breaker - 12 Volt - 20 Amp.
	008268-01-000	EA	Circuit Breaker - 12 Volt - 30 Amp.

ELECTRICAL GROUP (CONTINUED)

WINDSHIELD WIPER AND WASHER

Key	Part Number	U/M	Description
	007029-01-000	EA	Washer Asm. - Electric - Front
	007191-01-000	EA	Washer Asm. - Electric - Rear
	037999-01-000	EA	Motor Asm. - Windshleld Wiper
	037998-01-000	EA	Link Asm. - Connecting - 22.40" Long
	038000-01-000	EA	Blade - Windsh'eld Wiper - 16"
	038001-01-000	EA	Shaft and Pivot Asrn. - 2.25" Arm
	037997-01-000	EA	Arm. - Windshleld Wiper - 15"
	700073-05-000	EA	Pump and Cover Asm. - (washer)
	700073-02-000	EA	Washer Nozzle Hardware Package - Front

WIRE, SWITCHES AND RECEPTACLES

Key	Part Number	U/M	Description
	008024-01-000	FT	Wire 18.5 Bonded - Orange/White/Yellow/Blue/Brown
	008025-01-000	FT	Wire - 18.5 Bonded - Orange/White/Yellow/Blue/Green
	008028-01-000	FT	Wire 18.5 Bonded - Blue/Red/Yellow/Orange/White
	008032-01-000	FT	Wire - 18.4 Bonded
	008195-01-000	EA	Switch - Push Button - 12 Volt
	006077-01-000	EA	Plaque - Compressor Switch
	008054-01-000	EA	Vord Power - 10-30 Amp. 25' - UL
	008058-01-000	EA	Adaptor - Power Cord
	024924-01-000	EA	Receptacle - Power Cord w/Plate
	008157-01-000	EA	Receptacle - Duplex - Brown
	024571-01-000	EA	Cover Plate - Receptacle - Jumbo Steel - Brown
	008162-01-000	EA	Switch - Double Toggle - Spade Brown
	008163-01-000	EA	Switch - Toggle - Brown
	008164-01-000	EA	Cover Plate - Switch - Single Plastic - Brown
	008222-01-000	EA	Switch - Front Windshield Washer
	008242-01-000	EA	Switch - Front Windshield Wiper
	035476-01-000	EA	Switch - 2 Speed Evans

MISCELLANEOUS ELECTRICAL COMPONENTS

Key	Part Number	U/M	Description
	039859-01-000	EA	Lighter - w/Night Light and Wall Plate
	046775-01-000	EA	Valve Asm. - Fuel Change Over
	008188-01-000	EA	Solenoid - Dual Battery - Relay
	047389-01-000	EA	Battery - 12 Volt - 105 Amp. Deep Cycle Dry
	047338-01-000	EA	Isolator - Dual Battery
	031146-01-000	EA	Panel - Control - Water/Sewage - Wemac
	011024-01-000	EA	Sending Unit - Water Tank - 5 Wire
	039861-01-000	EA	Sending Unit Kit - Wemac
	031877-01-000	EA	Battery Charger

1975 WINNEBAGO TABLE OF CONTENTS

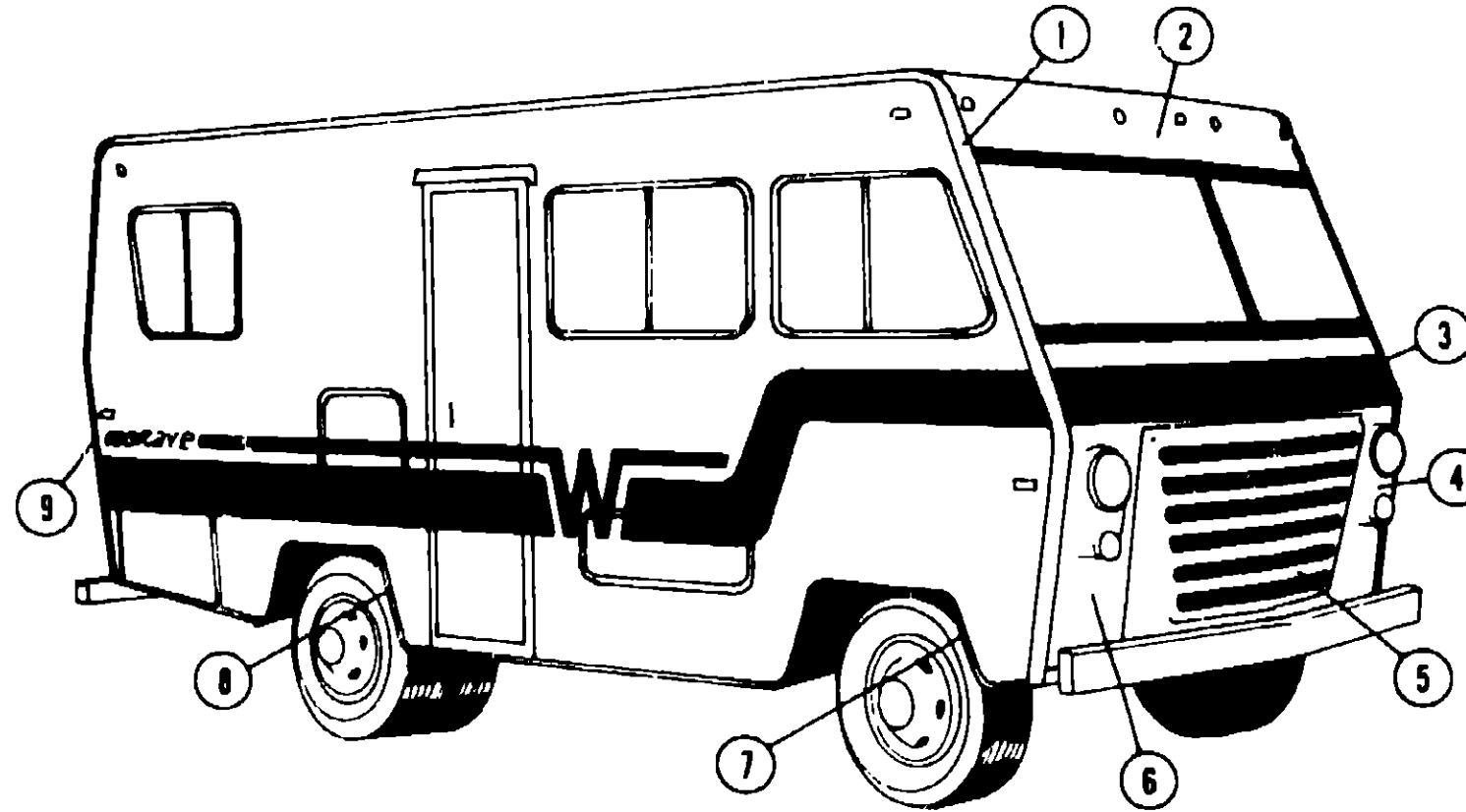
MWRG
MWRB
MWRD
D24

A-1 - B-6
B-7 - C-14
C-15 - D-20
D-21 - F-6

1975 D24 INDEX

Floor Plan	D-21 - D-22
Accessories Group	D-23 - D-24
Bath Group	E-1
Chassis Group	E-2
Curtain, Cushion & Pad Group	E-3 - E-5
Dinette Group	E-5
Driver's Compartment Group	E-6
Electrical Group	E-7 - E-8
Exterior Body Group	E-9 - E-12
Galley Group	E-13
Heating & Air Conditioning Group	E-14
Interior Finish Group	E-15 - E-16
LP Group	E-17
Lounge Group	E-17
Water & Sewage Group	E-18
Window, Vent & Exterior Door Group	E-19 - E-24
	F-1 - F-6

EXTERIOR BODY GROUP



1975 WINNEBAGO TABLE OF CONTENTS

MWRG
MWRB
MWRD
D24

A-1 - B-6
B-7 - C-14
C-15 - D-20
D-21 - F-6

Key	Part Number	U/M	Description
1	034893-01-000	EA	Trim - Contour - Right Front
•	034893-02-000	EA	Trim - Contour - Left Front
2	034813-01-000	EA	Cap - Upper - Off White Plastic
3	034814-01-000	EA	Hood Asm. - Plastic - Off White
•	035736-02-000	EA	Collar - Windshield Wiper - Plastic
4	034816-02-000	EA	Panel - Headlight - Left - Off White
5	034815-01-000	EA	Grille Asm. - Off White
•	035388-01-000	EA	Kit - Hood Pin - 7/16" - 20 x 3.50" Long
6	034816-01-000	EA	Panel - Headlight - Right - Off White

Key	Part Number	U/M	Description
7	034919-01-000	EA	Trim - Wheelwell - Right Front
•	034919-02-000	EA	Trim - Wheelwell - Left Front
8	034920-01-000	EA	Trim - Wheelwell - Right Rear
•	034920-02-000	EA	Trim - Wheelwell - Left - Rear
9	034916-01-000	EA	Trim - Contour - Right Rear
•	034916-02-000	EA	Trim - Contour - Left Rear
•	002792-02-001	EA	Extr. - Contour Trim - Anod. - 17'
•	009717-02-002	EA	Extr. - Drip Rail - Anod. - 19'
•	002002-01-000	EA	Drip Cap - Entry Door
•			Not Illustrated

1975 D24 INDEX

Floor Plan	D-21 - D-22
Accessories Group	D-23 - D-24
Bath Group	E-1
Chassis Group	E-2
Curtain, Cushion & Pad Group	E-3 - E-5
Dinette Group	E-5
Driver's Compartment Group	E-6
Electrical Group	E-7 - E-8
Exterior Body Group	E-9 - E-12
Galley Group	E-13
Heating & Air Conditioning Group	E-14
Interior Finish Group	E-15 - E-16
LP Group	E-17
Lounge Group	E-17
Water & Sewage Group	E-18
Window, Vent & Exterior Door Group	E-19 - E-24
	F-1 - F-6

EXTERIOR BODY GROUP (CONTINUED)

EXTERIOR BODY PANELS AND SHEET ALUMINUM

Key	Part Number	U/M	Description
	034898-03-000	EA	Backwall Asm.
	034899-01-000	EA	Roof Asm.
	034896-03-000	EA	Sidewall Asm. - Right
	034897-02-000	EA	Sidewall Asm. - Left
	039155-07-001	EA	Alum. - Off White - Greyhound Design - .024" x 48" x 300"
	039155-07-002	EA	Alum. - Off White - Greyhound Design - .024" x 48" x 120"
	039155-07-003	EA	Alum. - Off White - Greyhound Design - .024" x 48" x 60"
	039155-07-004	EA	Alum. - Off White - Greyhound Design - .024" x 24" x 300"
	039155-07-005	EA	Alum. - Off White - Greyhound Design - .024" x 24" x 120"
	039155-07-006	EA	Alum. - Off White - Greyhound Design - .024" x 24" x 60"
	039155-07-007	EA	Alum. - Off White - Greyhound Design - .024" x 12" x 300"
	039155-07-008	EA	Alum. - Off White - Greyhound Design - .024" x 12" x 120"
	039155-07-009	EA	Alum. - Off White - Greyhound Design - .024" x 12" x 60"
	044487-01-001	EA	Alum. - Mill Finish - No Design (Roof) - 96" x 360"
	039155-07-010	EA	Alum. - Off White - Greyhound Design - 48" x 96"
	001054-01-001	EA	Alum. - Off White No Design - 48" x 96"
	000868-01-000	BF	Styrofoam - 3/4" x 24" x 96"

EXTERIOR PAINT

Key	Part Number	U/M	Description
	041561-01-000	EA	Off White - Acrylic Enamel - 1 Gallon
	041561-03-000	EA	Off White - Acrylic Enamel - 16 Oz. Aerosol
	041561-04-000	EA	Off White - Acrylic Lacquer - 1 Gallon
	041563-01-000	EA	Burnt Orange - Acrylic Enamel - 1 Gallon
	041563-03-000	EA	Burnt Orange - Acrylic Enamel - 16 Oz. Aerosol
	041565-01-000	EA	Rally Yellow - Acrylic Enamel - 1 Gallon
	041565-03-000	EA	Rally Yellow - Acrylic Enamel - 16 Oz. Aerosol
	045681-01-000	EA	High Gloss Black - Acrylic Enamel - 1 Gallon
	045681-03-000	EA	High Gloss Black - Acrylic Enamel - 16 Oz. Aerosol

LABELS AND DECALS

Key	Part Number	U/M	Description
	006023-01-000	EA	Label - Water Only
	006025-01-000	EA	Label - Gas
	006028-01-000	EA	Label - Drain Cap - 2" x 3"
	006031-01-000	EA	Label - Potable Water Only
	006187-01-000	EA	Label - Sewage
	006188-01-000	EA	Label - Waste Water
	006199-01-000	EA	Label - Exit - Escape Window
	031161-01-000	EA	Label - Flying "W"
	038403-01-000	EA	Decal - Logo - Winnebago 2.80" (Front or Rear)
	039289-01-000	EA	Label - Warning Aux. Loading
	039716-01-000	EA	Stencil - Minnie Winnie
	008092-01-000	EA	Reflector - Stick On - Rectangular - Red
	008093-01-000	EA	Reflector - Stick On - Rectangular - Amber

EXTERIOR BODY GROUP (CONTINUED)

SEALANTS, ADHESIVES AND FASTENERS

Key	Part Number	U/M	Description
	034552-05-000	EA	Sealant - Off White Silicone
	034552-04-000	EA	Sealant - Beige Silicone
	034552-02-000	EA	Sealant - Clear Silicone
	004348-02-000	EA	Sealant - Aluminum Silicone
	004349-01-000	EA	Sealant - Black Silicone
	004342-01-000	EA	Sealant - Weatherban 202 Tube
	004348-02-000	EA	Sealant - White Silicone
	004347-01-000	EA	Sealant - Tuflex
	002316-01-000	FT	Tape - Sealer - 3/32" x 1/8"
	024545-01-000	FT	Tape - Sealer - 1/8" x 5/8" - Black
	004350-01-000	FT	Tape - Sealer - 1/8" x 1" - Formaseal
	004352-01-000	FT	Tape - Sealer - 1/8" x 3/4" - Formaseal
	004355-01-000	FT	Tape - Sealer - 1/8" x 5/8" - Black
	004357-01-000	FT	Tape - Sealer - 1/8" x 5/8" - Adhesive
	002707-02-000	FT	Tape - Sealer - 5/16" x 1/2" - Black Foam
	002707-01-000	FT	Tape - Sealer - 5/16" x 3/4" - Black Foam
	041422-01-000	FT	Tape - Sealer - 1/4" x 1/2"
	004363-01-000	FT	Tape - Sealer - 3/16" x 1/2" - Foam
	004362-01-000	FT	Tape - Sealer - 1/8" x 5/8" - Foam
	009200-01-000	EA	Tape - Furnace - 1 1/2"
	041839-01-000	FT	Tape - Window - Latch - 3/4" - Adhesive
	041839-02-000	FT	Tape - Window - Latch - 1/2" - Adhesive
	004353-01-000	FT	Tape - Gasket - 1/8" x 3/4" - White
	002825-01-000	FT	Weather Stripping - Roof Vent
	002337-01-000	EA	Adhesive - 3M- 1300 Tube
	004005-01-000	GL	Adhesive - Swifts Green - Glue (Sidewalls)
	004012-01-000	EA	Adhesive - 3M - 4475 Tube
	004020-01-000	QT	Adhesive - ABS Cement (Plastic Fittings)
	029051-01-000	EA	Adhesive - Spray Vinyl
	042401-02-000	EA	Screw - 8 - 18 x 3/4" SDPH Off White
	005058-01-000	EA	Screw - Wood - 12 - 11 x 3" P.O.H. Zinc
	041746-01-000	FT	Extr. - Vinyl - Bubble Seal - Entry Door - Jamb
	021241-01-000	FT	Extr. - Vinyl - White - Wingwall

MISCELLANEOUS EXTERNALLY MOUNTED PARTS

Key	Part Number	U/M	Description
	016253-05-000	EA	Fuel Fill - Recessed - Single - Off White
	015587-04-000	EA	Fuel Fill - Recessed - Double - Off White
	011124-01-000	EA	Plumbing Seal - Roof Vent - 1 1/4" White
	011129-01-000	EA	Plumbing Seal - Roof Vent - 1 1/2" White
	010230-02-000	EA	Fill - City Water - Recessed - Off White
	011020-01-000	EA	Fill - Water - Recessed - Off White
	009126-01-000	EA	Handle - Assist - Metal Ext.
	009101-01-000	EA	Holder - Entry Door Male
	009101-02-000	EA	Holder - Entry Door - Female

**1975 WINNEBAGO
TABLE OF CONTENTS**

MWRG	A-1 - B-6
MWRB	B-7 - C-14
MWRD	C-15 - D-20
D24	D-21 - F-6

1975 D24 INDEX

Floor Plan	D-21 - D-22
Accessories Group	D-23 - D-24
Bath Group	E-1
Chassis Group	E-2
Curtain, Cushion & Pad Group	E-3 - E-5
Dinette Group	E-5
Driver's Compartment Group	E-6
Electrical Group	E-7 - E-8
Exterior Body Group	E-9 - E-12
Galley Group	E-13
Heating & Air Conditioning Group	E-14
Interior Finish Group	E-15 - E-16
LP Group	E-17
Lounge Group	E-17
Water & Sewage Group	E-18
Window, Vent & Exterior Door Group	E-19 - E-24
	F-1 - F-6

GALLEY GROUP

Key	Part Number	U/M	Description
	034900-06-700	EA	Cabinet Asm. - Galley - w/o Countertop, Doors, Drawers or Hardware
	034900-06-701	EA	Door Asm. - Galley Cabinet - 29 5/8" x 14 1/2" - w/o Hardware
	034900-06-702	EA	Door Asm. - Galley Cabinet - 13 11/16" x 21 3/4" - w/o Hardware
	034900-06-703	EA	Drawer Asm. - Galley Cabinet - 5 1/4" x 14 1/8" x 12" Deep - w/o Hardware
	034900-06-704	EA	Drawer Asm. - Galley Cabinet - 5 1/4" x 14 1/8" x 20" Deep - w/o Hardware
	034900-06-705	EA	Countertop Asm. - Galley Cabinet - Butcher Block
	034901-03-700	EA	Cabinet Asm. - Galley Overhead - w/o Doors or Hardware
	034901-03-701	EA	Door Asm. - Galley Overhead Cabinet - 17 1/2" x 7 1/2" w/o Hardware
	011032-01-000	EA	Sink - Stainless Steel - Double w/Bolts
	011053-01-000	EA	Faucet - 8" Swing Sprout
	011053-01-700	EA	Aerator - Swing Spout Faucet
	011085-01-000	EA	Strainer - Sink
**	003338-01-000	EA	Refrigerator - Dometic - RM66
**	034545-01-000	EA	Refrigerator - Winnebago - W6EG
**	031648-01-000	EA	Range - Coleman - 3 Burner - 2225
*	003212-01-000	EA	Hood - Range - Non Powered - Chrome
*	024670-01-000	EA	Hood - Range - Powered - Strawsine
*	024670-01-700	EA	Filter - Range Hood - Strawsine
*			Not Illustrated

**The illustrated parts breakdown for this item is provided on the Common Items Fiche.

HEATING AND AIR CONDITIONING GROUP

Key	Part Number	U/M	Description
	033922-01-000	EA	Evaporator - Air Conditioner
	033932-01-000	EA	Valve - Expansion
	033938-01-000	EA	Core - Heater
	035459-01-701	EA	Blower Asm. - 3 Speed w/Motor
	033926-01-000	EA	Cold Control
	035459-01-704	EA	Resistor - Evans Heater
	048217-01-000	EA	Switch - Fan - 3 Speed Evans
	033933-01-000	EA	Compressor - Auto Air - Evans
	033855-01-000	EA	Condenser - Radiator Mount - Evans
	033854-01-000	EA	Receiver Drier
	033934-01-000	EA	Clutch - Compressor - Evans
	048229-01-000	EA	Kit - Auto Air - 440 - Evans
	048227-01-000	EA	Kit - Auto Air - 318 - Evans
**	003135-01-000	EA	Furnace - Coleman - 23,000 B.T.U. - 4023
**	003138-01-000	EA	Furnace - Coleman - 28,000 B.T.U. - 4028
**	003140-01-000	EA	Furnace - Coleman - 30,000 B.T.U. - 4030
**	041603-01-000	EA	Furnace - Coleman - 23,000 B.T.U. - 4225
**	041604-01-000	EA	Furnace - Coleman - 28,000 B.T.U. - 4230
**	041605-01-000	EA	Furnace - Coleman - 31,000 B.T.U. - 4235
**	003119-01-000	EA	Furnace - Suburban - 16,000 B.T.U. - NT16
**	003126-01-000	EA	Air Conditioner Asm. - Roof Mount - 10,000 B.T.U. Mach I - Coleman w/o Inside Shroud
**	031880-01-000	EA	Air Conditioner Asm. - Roof Mount - 13,500 B.T.U. Mach III - Coleman w/o Inside Shroud
**	049777-01-000	EA	Air Conditioner - Roof Mount - Ivory - 11,000 B.T.U. Coleman - w/o Inside Shroud
**	049774-01-000	EA	Air Conditioner - Roof Mount - Ivory - 13,500 B.T.U. Coleman - w/o Inside Shroud
**	041738-01-000	EA	Shroud Asm. - Air Conditioner - Inside Ceiling Cool Only - Mach I or Mach II
**	049778-01-000	EA	Shroud Asm. - Air Conditioner - Inside Ceiling Cool Only - 11,000 B.T.U. - Ivory
**	049775-01-000	EA	Shroud Asm. - Air Conditioner - Inside Ceiling Cool Only - 13,500 B.T.U. - Ivory
**	049776-01-000	EA	Shroud Asm. - Air Conditioner - Inside Ceiling Heat and Cool - 13,500 B.T.U. - Ivory

**The illustrated parts breakdown for this item is provided on the Common Items Fiche.

1975 WINNEBAGO TABLE OF CONTENTS

MWRG
MWRB
MWRD
D24

A-1 - B-6
B-7 - C-14
C-15 - D-20
D-21 - F-6

1975 D24 INDEX

Floor Plan	D-21 - D-22
Accessories Group	D-23 - D-24
Bath Group	E-1
Chassis Group	E-2
Curtain, Cushion & Pad Group	E-3 - E-5
Dinette Group	E-5
Driver's Compartment Group	E-6
Electrical Group	E-7 - E-8
Exterior Body Group	E-9 - E-12
Galley Group	E-13
Heating & Air Conditioning Group	E-14
Interior Finish Group	E-15 - E-16
LP Group	E-17
Lounge Group	E-17
Water & Sewage Group	E-18
Window, Vent & Exterior Door Group	E-19 - E-24
	F-1 - F-6

INTERIOR FINISH GROUP

PANELING AND COUNTERTOP MATERIALS

Key	Part Number	U/M	Description
	024951-01-000	SF	Panel - Bath Wall - White
	000722-01-000	SF	Veneer - Wormy Pecan - 48" x 96"
	024942-03-000	SF	Veneer - Maple - 40" x 96"
	000720-02-000	SF	Veneer - White Stucco
	000724-01-000	EA	Batt Strip - White Stucco
	037682-01-000	SF	Plastic Laminate - 48" x 96" - Butcher Block
	033204-01-000	SF	Plastic Laminate - 48" x 96" - Antique Leather
	009814-06-000	FT	T-Molding - Butcher Block
	037679-01-000	SF	Paneling - Ivory Linen

INTERIOR MOLDINGS AND TRIM

Key	Part Number	U/M	Description
	009779-01-000	FT	U-Channel - 1 1/8" - Brown - Plastic
	009778-01-000	FT	U-Channel - 1" - Brown Plastic
	009780-01-000	FT	U-Channel - 1 1/4" - Brown - Plastic
	009720-01-000	EA	Cover - Roll Bar - White - 85.44"
	023221-01-000	EA	Corner Cover - Roll Bar
	034113-02-000	EA	Corner Cover - Support Bar - Brown
	024700-02-000	EA	Cover - Spdewall - Roll Bar - 152 Maple
	022756-01-000	EA	Cover - A/C - Plastic
	022755-01-000	EA	Cover - Control Panel - Plastic
	034689-01-000	EA	Cover - Screw - 10 PPH - Plastic - White
	009812-01-000	FT	Molding - Plastic Corner - O/S - .50"
	009767-01-000	FT	Wetling - Brown
	009781-01-000	FT	Molding - Plastic Corner - O/S - .62" x .62" - Brown
	031004-02-000	EA	Quarter Panel Asm. - Front Right
	031003-02-000	EA	Quarter Panel Asm. - Front Left

FABRICS AND CARPET

Key	Part Number	U/M	Description
	024927-02-000	YD	Fabric - Upholstery - Green
	024927-01-000	YD	Fabric - Upholstery - Gold
	024927-03-000	YD	Fabric - Upholstery - Orange
	024925-01-000	YD	Fabric - Drapery - Green/Gold
	024925-02-000	YD	Fabric - Drapery - Orange
	024918-03-000	YD	Vinyl - Oxen Tan
	024960-01-000	SY	Carpet - Gold
	024960-02-000	SY	Carpet - Green
	024960-03-000	SY	Carpet - Orange

INTERIOR FINISH GROUP (CONTINUED)

CURTAIN HARDWARE

Key	Part Number	U/M	Description
	052327-04-236	EA	Curtain Track - Alum. - Brown - 89" w/Holes
	009107-01-000	EA	Guide - Nylon - Snap - Curtain
	042439-01-000	EA	Bracket - Left or Right - Curtain Rod - Single
	049897-01-000	EA	Rod - Curtain - Flat Extension 25" - 45"
	037872-01-000	EA	Rod - Curtain - Double Flat Extension 48" - 34"
	037872-02-000	EA	Bracket - Curtain Rod - Double Flat Extension
	049897-02-000	EA	Rod - Curtain - Flat Extension 48" - 86"
	009702-01-000	EA	End Stop - Curtain - L-Rod w/Rollers
	009701-01-000	EA	Carrier - w/Rollers - L-Rod
	020438-01-000	EA	Track - Curtain - Left Front - Wraparound
	021495-01-000	EA	Track - Curtain - Right Front - Wraparound

CABINETS AND TABLE HARDWARE

Key	Part Number	U/M	Description
	009016-01-000	EA	Latch - Cabinet - Overhead
	043118-01-000	EA	Latch - Cabinet - Kit
	043116-01-000	EA	Pull - Drawer - Medieval Brass - Kit
	043117-01-000	EA	Hinge Kit - 3/8" Insert - Century
	009150-01-000	EA	Warp Gaurd - 64"
	009112-01-000	EA	Flange - 1" Rod Chrome
	047842-01-000	EA	Kit - Dinette Table Leg
	047809-01-000	EA	Dinette Table Hardware - Wall Mount

MISCELLANEOUS PARTS

Key	Part Number	U/M	Description
	041944-01-700	EA	Extinguisher - Fire - w/Bracket - Dry Chemical
	006098-01-000	EA	Mirror - Inside - 1/8" x 9" x 16" - Beveled
	009096-01-000	EA	Mirror - Inside - 1/8" x 12" x 42" - Beveled
	009089-01-000	EA	Clip - Mirror - Plastic - w/Screw
	007021-01-000	EA	Belt Assembly - Seat - 2" x 90" - Black
	007019-01-000	EA	Belt Assembly - Seat - 2" x 84" - Black
	007022-01-000	EA	Belt Assembly - Seat - 2" x 66" - Black
	023680-01-000	EA	Bracket - Seat Belt
	041322-01-000	EA	Washer - Flat - 15/32" I.D. x 2 3/8" O.D. - Seat Belt
	024730-01-000	EA	Grille - Plastic - 12.4" x 5.9" - Brown - Furnace Duct
	024985-01-000	EA	Register - Heat - w/Damper - 9.9 x 4.8"
	009169-01-000	EA	Grille - Plastic - 15.7" x 17.1" - Brown - Furnace

1975 WINNEBAGO TABLE OF CONTENTS

MWRG
MWRB
MWRD
D24

A-1 - B-6
B-7 - C-14
C-15 - D-20
D-21 - F-6

1975 D24 INDEX

Floor Plan	D-21 - D-22
Accessories Group	D-23 - D-24
Bath Group	E-1
Chassis Group	E-2
Curtain, Cushion & Pad Group	E-3 - E-5
Dinette Group	E-5
Driver's Compartment Group	E-6
Electrical Group	E-7 - E-8
Exterior Body Group	E-9 - E-12
Galley Group	E-13
Heating & Air Conditioning Group	E-14
Interior Finish Group	E-15 - E-16
LP Group	E-17
Lounge Group	E-17
Water & Sewage Group	E-18
Window, Vent & Exterior Door Group	E-19 - E-24
	F-1 - F-6

LP GROUP

Key	Part Number	U/M	Description
	008818-01-000	EA	Tank - LP - 20 Pound Horizontal
	008814-01-000	EA	Regulator - LP - Manual
	008815-01-000	EA	Regulator - LP - Automatic
	023263-01-000	EA	Tank - LP - 30 Pound - Horizontal
	008820-01-000	EA	Hose Assembly - LP - 1/4" I.D. x 16"
	045703-01-000	EA	Hose Assembly - LP - 3/8" I.D. x 24"
	040046-01-000	EA	Compartment - LP - Horizontal

LOUNGE GROUP

Key	Part Number	U/M	Description
	034904-04-000	EA	Cabinet Asm. - Seat - Rear Wraparound
	034907-03-000	EA	Cabinet Asm. - Seat - Side Bench
	034906-03-700	EA	Cabinet Asm. - Wardrobe - Flight - w/o Door or Hardware
	034906-03-701	EA	Door Asm. - Right Wardrobe Cabinet - 32 5/8" x 18 3/4" - w/o Hardware
	034903-04-700	EA	Door Asm. - Wardrobe Cabinet - Left - 17 3/8" x 66 5/8" - w/o Hardware
	034903-04-701	EA	Door Asm. - Refrigerator Cabinet - 6 1/4" x 21 3/4" - w/o Hardware
	034903-04-702	EA	Door Asm. - Refrigerator Cabinet - 10 1/8" x 21 3/4" - w/o Hardware
	035773-02-000	EA	Cabinet Asm. - Rear Overhead - w/o Doors or Hardware
	035687-36-700	EA	Door Asm. - Rear Overhead Cabinet - 29 1/2" x 8" - w/o Hardware
	035619-02-700	EA	Cabinet Asm. - Side Overhead - w/o Doors or Hardware - Maple
	035687-28-700	EA	Door Asm. - Side Overhead Cabinet - w/o Hardware - Maple
	034905-05-700	EA	Cabinet Asm. - Furnace - w/o Countertop, Door or Hardware
	035739-03-700	EA	Door Asm. - Furnace Cabinet - w/o Hardware
	009169-01-000	EA	Insert - Furnace Cabinet Door - 15.7" x 17.1" - Brown
	034905-05-701	EA	Countertop Asm. - Furnace Cabinet - Butcher Block

WATER AND SEWAGE GROUP

Key	Part Number	U/M	Description
	011027-01-000	EA	Water Tank - 22 Gallon - Galvanized
	035513-01-000	EA	Tank Asm. - Holding - Plastic - 19 Gallon - w/Fittings
	024810-01-000	EA	Tank - Holding - Plastic - 19 Gallon - w/o Fittings
	021492-03-000	EA	Tank Asm. - Holding - Plastic - 21 Gallon w/Fittings
	021489-01-000	EA	Tank - Holding - Plastic - 21 Gallon w/o Fittings
	006060-01-000	EA	Purification System - Everpure - Water
	006060-02-000	EA	Cartridge - Replacement - Everpure
	023833-01-000	EA	Air Compressor - 12 Volt
	011024-01-000	EA	Sending Unit - Water Tank - 5 Wire
	010210-01-000	EA	Valve - Sanitary - Thetford 3HB
	010234-01-000	EA	Adapter - Bayonet
	010235-01-000	EA	Cap - Sewage - 3"
	010236-01-000	EA	Adaptor - Hose - 3"
	046524-01-000	EA	Klt - Fittings - Plastic - Holding Tanks
	011058-01-000	EA	P-Trap - Plastic - 1 1/4"
	011091-01-000	EA	Waste - Continuous Double Sink - 11 7/8"
	011005-01-000	EA	Spout - Water Fill w/Gauge
	004020-01-000	QT	Adhesive - ABS Cement
	010201-01-000	EA	Hose - Sewer - 3" x 10' w/Clamp
	010209-02-000	EA	Handle - Extension - Sewer Valve - 9.5"
**	051391-01-000	EA	Water Heater - Atwood Bowen - G6A2
**	031992-01-000	EA	Water Heater - Atwood Bowen - GH6

**The Illustrated parts breakdown for this item is provided on the Common Items Fiche.

1975 WINNEBAGO TABLE OF CONTENTS

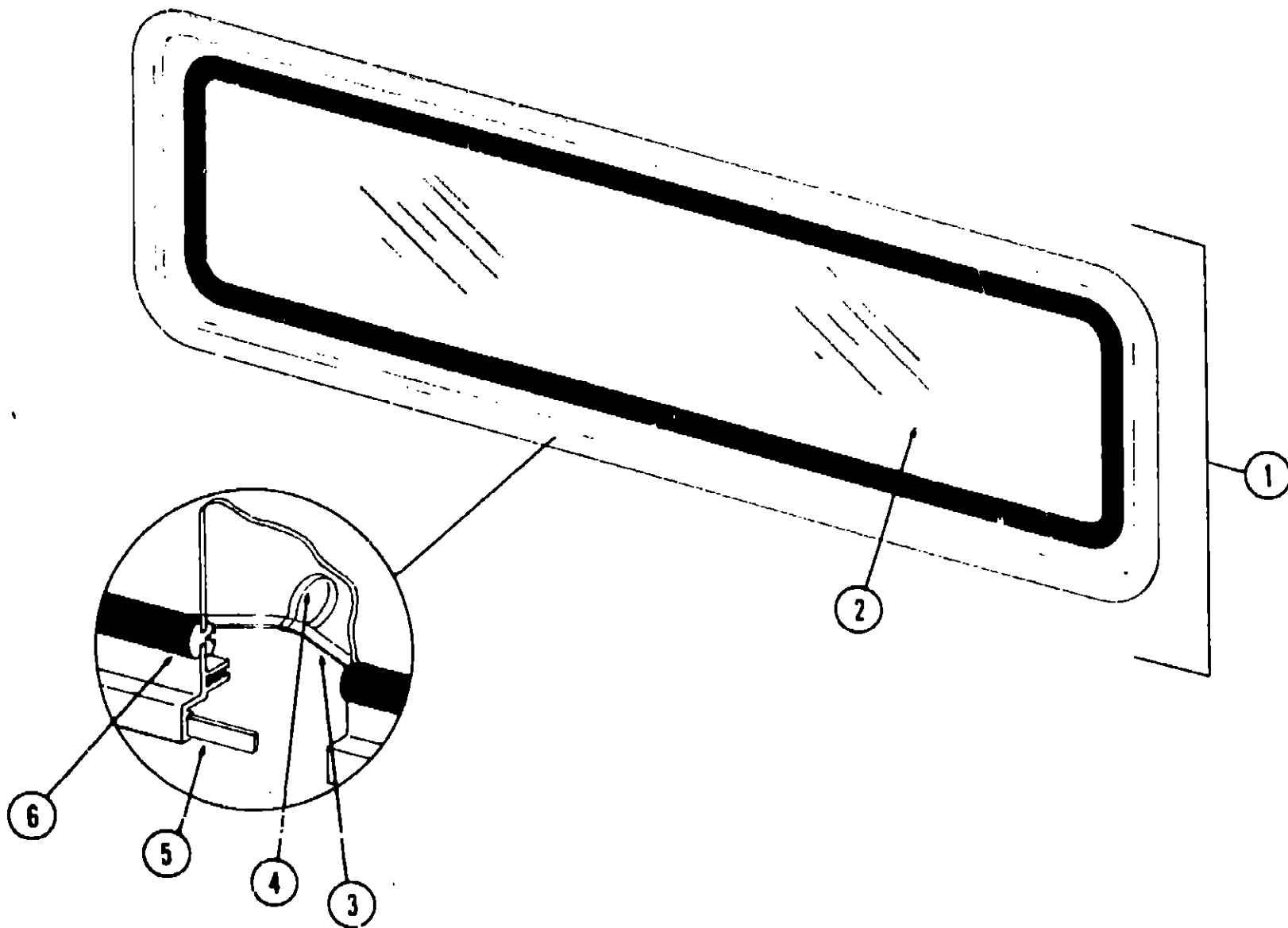
MWRG	A-1 - B-6
MWRB	B-7 - C-14
MWRD	C-15 - D-20
D24	D-21 - F-6

1975 D24 INDEX

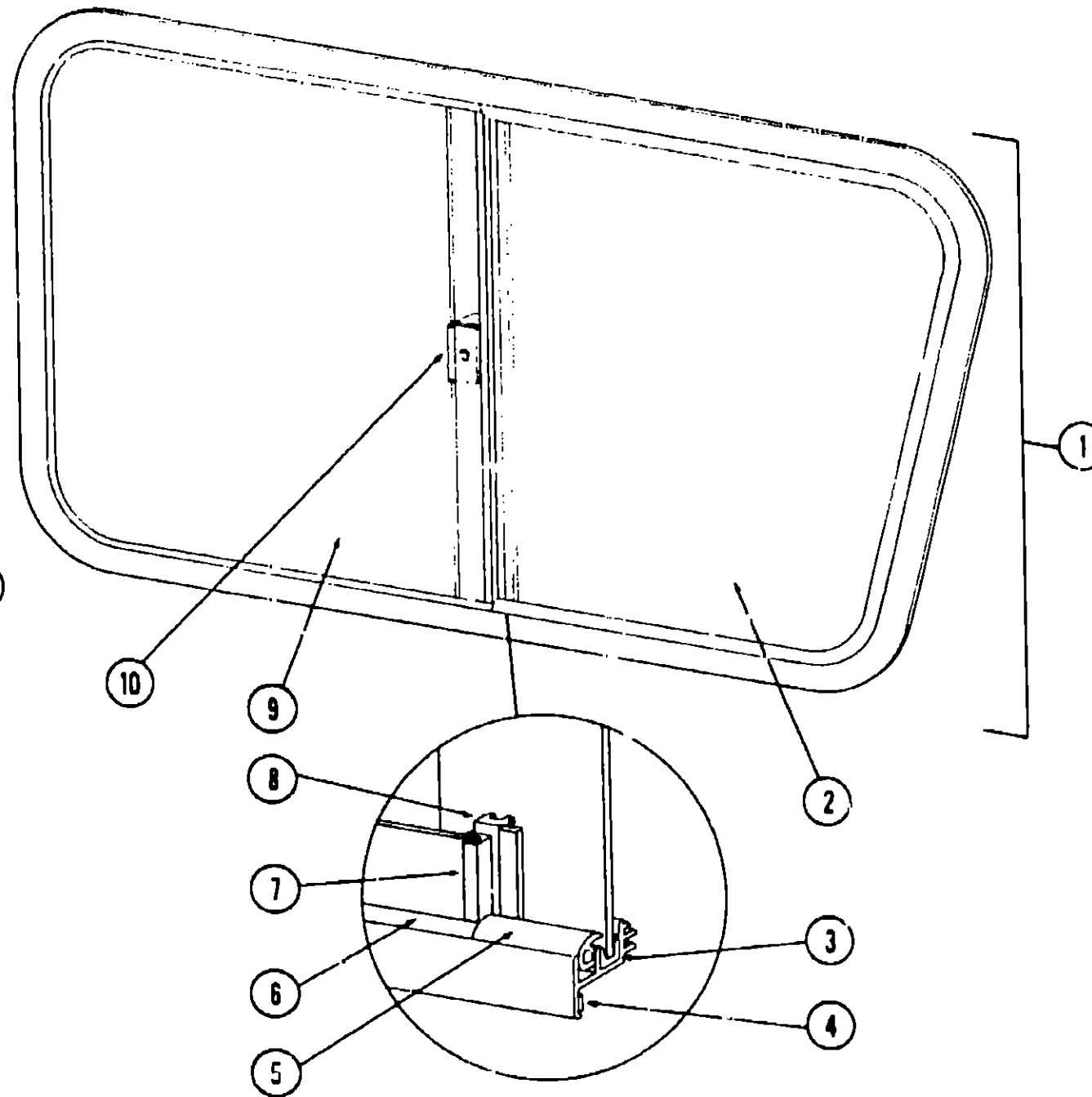
Floor Plan	D-21 - D-22
Accessories Group	D-23 - D-24
Bath Group	E-1
Chassis Group	E-2
Curtain, Cushion & Pad Group	E-3 - E-5
Dinette Group	E-5
Driver's Compartment Group	E-6
Electrical Group	E-7 - E-8
Exterior Body Group	E-9 - E-12
Galley Group	E-13
Heating & Air Conditioning Group	E-14
Interior Finish Group	E-15 - E-16
LP Group	E-17
Lounge Group	E-17
Water & Sewage Group	E-18
Window, Vent & Exterior Door Group	E-19 - E-24
	F-1 - F-6

WINDOW, VENT AND EXTERIOR DOOR GROUP

WINDOW, VENT AND EXTERIOR DOOR GROUP (CONTINUED)



Key	Part Number	U/M	Description
1	020754-01-000	EA	Window Asm. - Escape - 23" x 68" - w/o Inside Frame
2	002178-01-000	EA	Glass - 1/8" x 19.61" x 64.80" - w/o Inside Frame
3	002285-01-000	FT	Weatherstrip - Filler - Black
4	020395-01-000	EA	Slip Ring - Pull
5	004363-01-000	FT	Tape - Foam - 3/16" x 1/2" - Gray
6	002282-01-000	FT	Weatherstrip - Window - .125" - Black
•	020752-03-000	EA	Frame - Escape Window - Inside - 23" x 68" (not included in assembly)
•	006199-01-000	EA	Label - Exit - Escape Window
•	020785-01-000	EA	Tab - Pull
•			Not Illustrated



Key	Part Number	U/M	Description
1	035238-01-000	EA	Window Asm. - Slanted Slider - Rear - Right w/o Inside Frame
•	035239-01-000	EA	Window Asm. - Slanted Slider - Rear - Left w/o Inside Frame
2	03448-01-000	EA	Glass - 1/8" x 22" x 18.25" - Sliding
3	002324-01-000	FT	Channel - Weatherstrip - Glass Run
4	004363-01-000	FT	Tape - Foam - 3/16" x 1/2" - Gray
5	002283-01-000	FT	Seal - Window Channel
6	002309-01-000	FT	Spline - Glass - 1/8" - Gray
7	018025-01-000	EA	Holder - Glass Seal
8	018014-02-000	EA	Mullion - Slider Window
9	002184-01-000	EA	Glass - 1/8" x 22" - Stationary
10	023275-01-000	EA	Latch Asm. - Aluminum
•	023713-01-000	EA	Cover - Weephole - White Plastic
•	041839-01-000	FT	Tape - Foam - Aluminum Window Latch
•	002298-01-000	FT	Spline - Screen - .130" Dia. - Gray
•	002293-01-000	SF	Screen - Window - 26" - Gray
•	035273-05-000	EA	Frame - Inside - Rear Slanted Slider - Right
•	035273-06-000	EA	Frame - Inside - Rear Slanted Slider - Left
•			Not Illustrated

**1975 WINNEBAGO
TABLE OF CONTENTS**

MWRG
MWRB
MWRD
D24

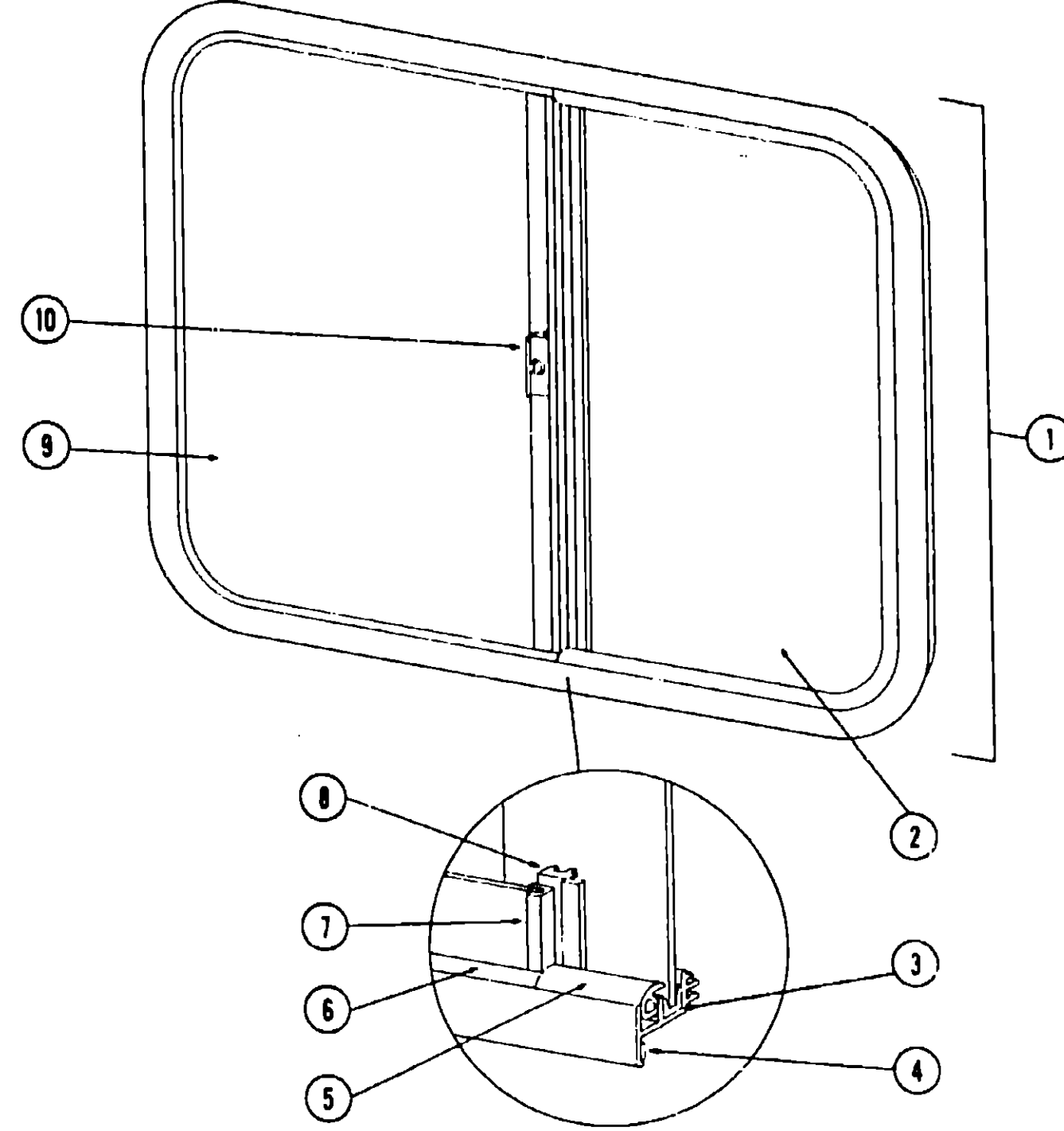
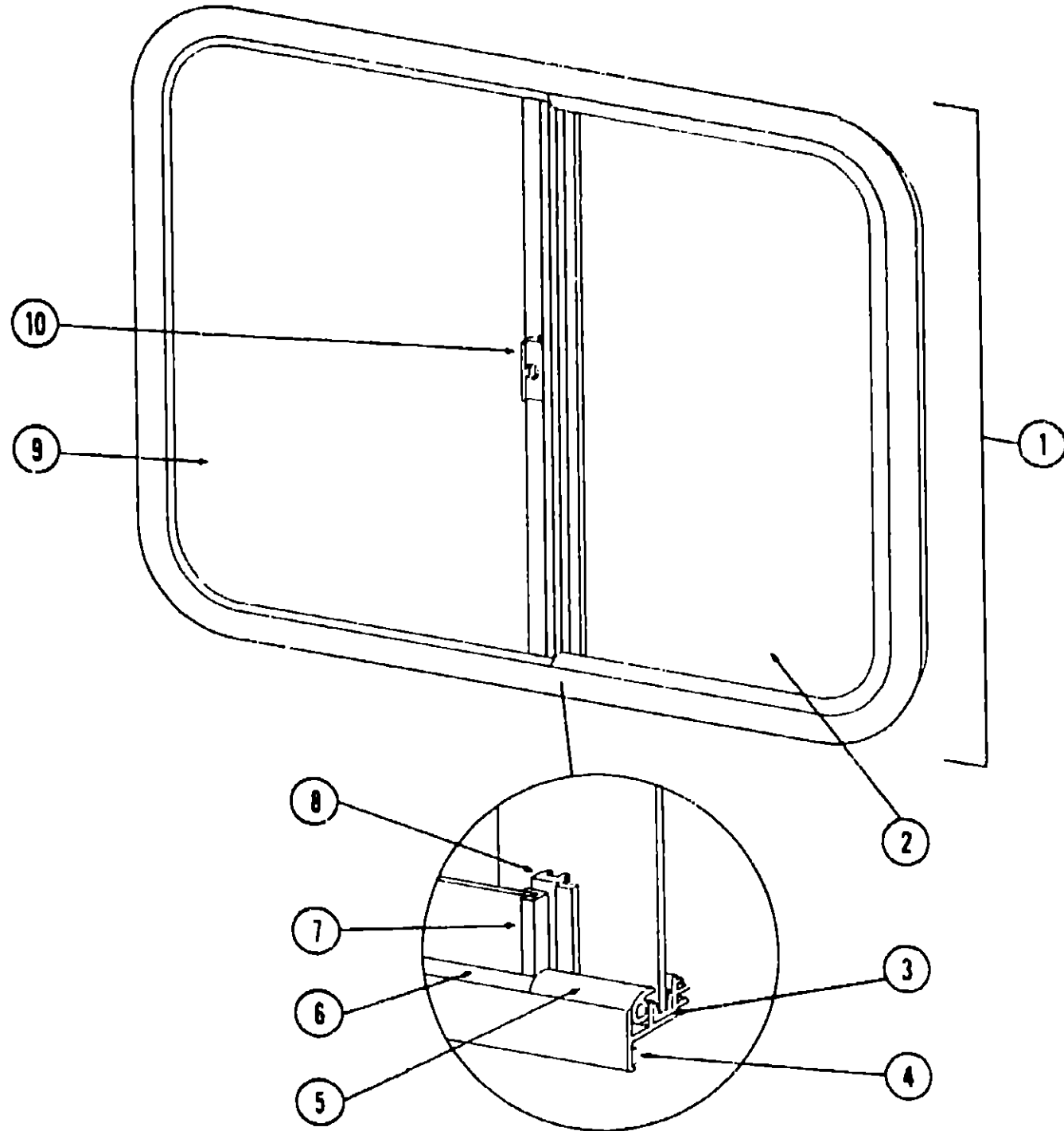
A-1 - B-6
B-7 - C-14
C-15 - D-20
D-21 - F-8

1975 D24 INDEX

Floor Plan	D-21 - D-22
Accessories Group	D-23 - D-24
Bath Group	E-1
Chassis Group	E-2
Curtain, Cushion & Pad Group	E-3 - E-5
Dinette Group	E-5
Driver's Compartment Group	E-6
Electrical Group	E-7 - E-8
Exterior Body Group	E-9 - E-12
Galley Group	E-13
Heating & Air Conditioning Group	E-14
Interior Finish Group	E-15 - E-16
LP Group	E-17
Lounge Group	E-17
Water & Sewage Group	E-18
Window, Vent & Exterior Door Group	E-19 - E-24
	F-1 - F-6

WINDOW, VENT AND EXTERIOR DOOR GROUP (CONTINUED)

WINDOW, VENT AND EXTERIOR DOOR GROUP (CONTINUED)



Key	Part Number	U/M	Description
1	035236-01-000	EA	Window Asm. - Right Single Slider - 23" x 44 w/o Inside Frame
2	002187-01-000	EA	Glass - Sliding - 22"
3	002324-01-000	FT	Channel - Weatherstrip - Glass Run - 1/8" - Glass
4	004363-01-000	FT	Tape Foam - 3/16" x 1/2" - Gray
5	002283-01-000	FT	Seal - Window Channel
6	002309-01-000	FT	Spline - Glass - 1/8" - Gray
7	018025-01-000	EA	Holder - Glass Seal - 23" - Clear Anod.
8	018014-02-000	EA	Mullion - Slider Window - 23" - Anod.
9	002183-01-000	EA	Glass - 1/8" x 22" x 23.49" - Stationary
10	023275-01-000	EA	Latch - Window - Aluminum
.	041839-01-000	FT	Tape - Foam - Aluminum Window Latch
.	002298-01-000	FT	Spline - Screen - .130" Diameter Gray
.	002293-01-000	SF	Screen - Window - 26" - Gray
.	023713-01-000	EA	Cover - Weepole - White Plastic
.	035275-03-000	EA	Frame - Window Inside - 23" x 44" (not included in window assembly)
.	Not Illustrated		

1975 WINNEBAGO
TABLE OF CONTENTS

MWRG
MWRB
MWRD
D24

A-1 - B-8
B-7 - C-14
C-15 - D-20
D-21 - F-6

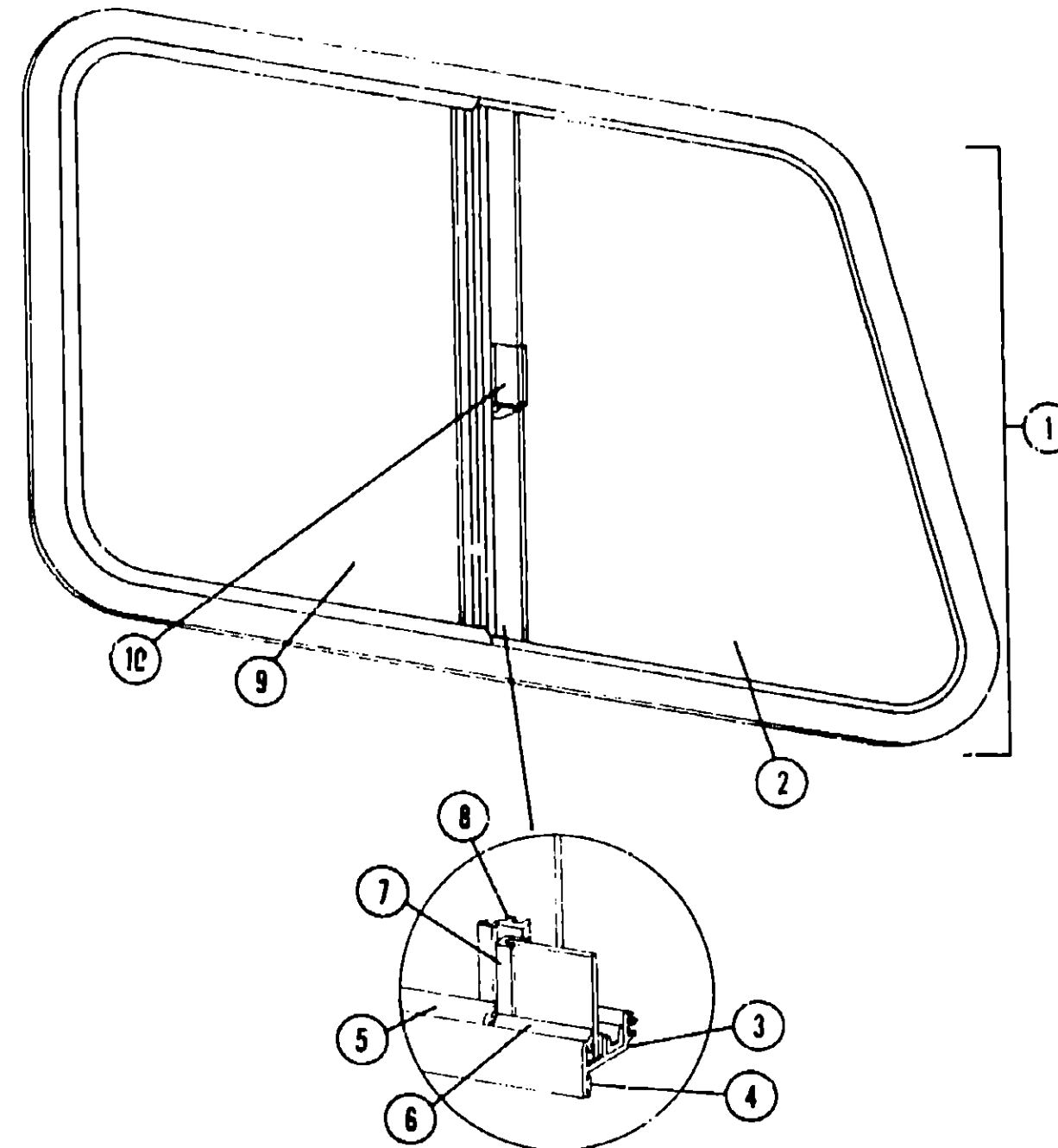
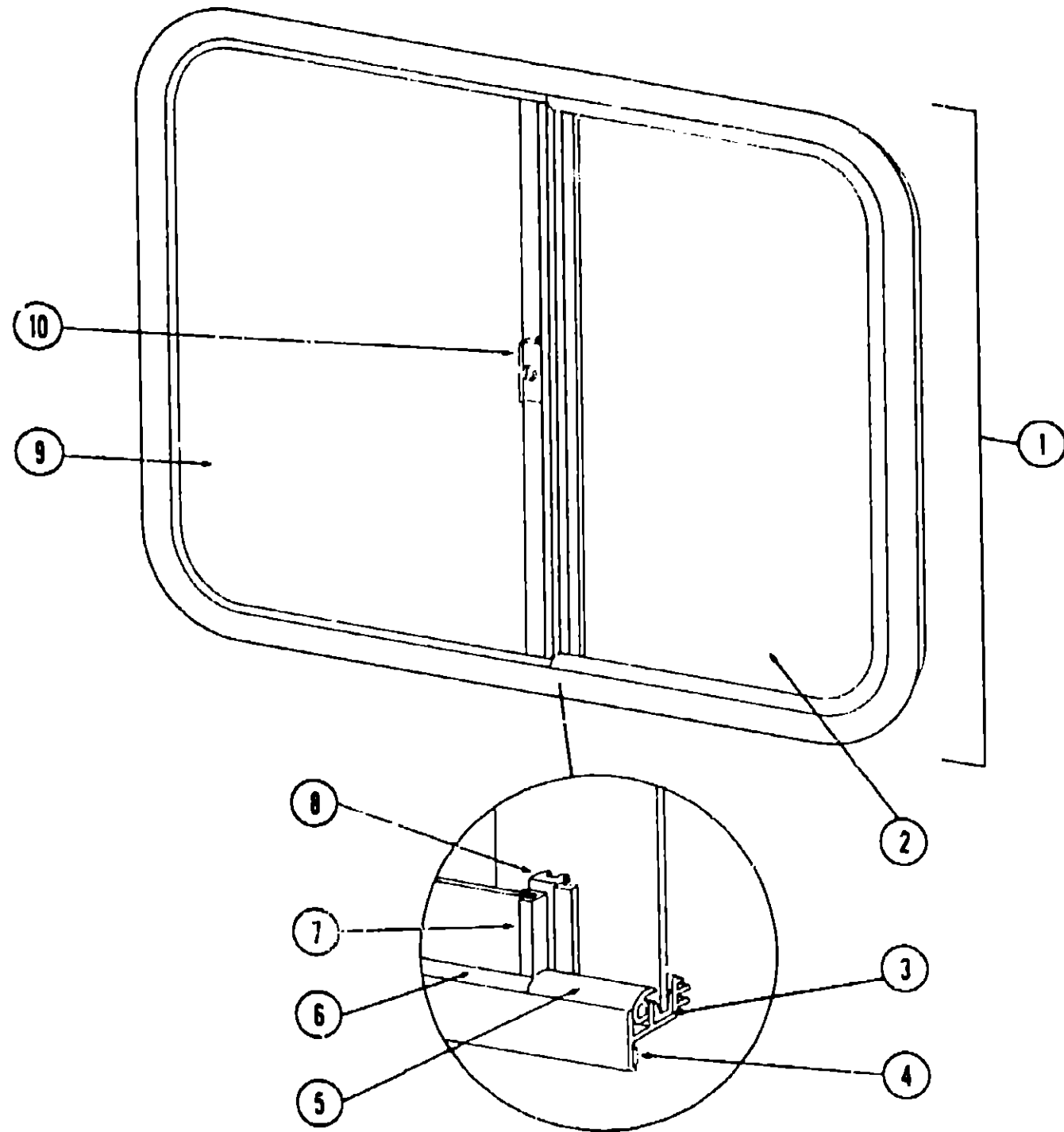
1975 D24 INDEX

Floor Plan	D-21 - D-22
Accessories Group	D-23 - D-24
Bath Group	E-1
Chassis Group	E-2
Curtain, Cushion & Pad Group	E-3 - E-5
Dinette Group	E-5
Driver's Compartment Group	E-6
Electrical Group	E-7 - E-8
Exterior Body Group	E-9 - E-12
Galley Group	E-13
Heating & Air Conditioning Group	E-14
Interior Finish Group	E-15 - E-16
LP Group	E-17
Lounge Group	E-17
Water & Sewage Group	E-18
Window, Vent & Exterior Door Group	E-19 - E-24 F-1 - F-6

Key	Part Number	U/M	Description
1	035237-01-000	EA	Window Asm. - Right Single Slider 23" x 59" w/o Inside Frame
2	034146-01-000	EA	Glass - Sliding - 1/8" x 22" x 28.56"
3	002324-01-000	FT	Channel - Weatherstrip - Glass Run - 1/8" - Glass
.	004363-01-000	FT	Tape Foam - 3/16" x 1/2" - Gray
5	002283-01-000	FT	Seal - Window Channel
6	002309-01-000	FT	Spline - Glass - 1/8" - Gray
7	018025-01-000	EA	Holder - Glass Seal - 23" - Clear Anod.
8	018014-02-000	EA	Mullion - Slider Window - 23" - Anod.
9	034145-01-000	EA	Glass - 1/8" x 22" x 31.02" - Stationary
10	023275-01-000	EA	Latch - Window - Aluminum
.	041839-01-000	FT	Tape - Foam - Aluminum Window Latch
.	002298-01-000	FT	Spline - Screen - .130" Diameter Gray
.	002293-01-000	SF	Screen - Window - 26" - Gray
.	023713-01-000	EA	Cover - Weepole - White Plastic
.	035277-03-000	EA	Frame - Window Inside - 23" x 59" (not included in window assembly)
.	Not Illustrated		

WINDOW, VENT AND EXTERIOR DOOR GROUP (CONTINUED)

WINDOW, VENT AND EXTERIOR DOOR GROUP (CONTINUED)



Key	Part Number	U/M	Description
1	035240-01-000	EA	Window Asm. - Left Single Slider - 23" x 30" - w/o Inside Frame
2	002186-01-000	EA	Glass - Sliding - 1/8" x 22" x 23.675"
3	002324-01-000	FT	Channel - Weatherstrip - Glass Run - 1/8" - Glass
4	004363-01-000	FT	Tape Foam - 3/16" x 1/2" - Gray
5	002283-01-000	FT	Seal - Window Channel
6	002309-01-000	FT	Spline - Glass - 1/8" - Gray
7	018025-01-000	EA	Holder - Glass Seal - 23" - Clear Anod.
8	018014-02-000	EA	Mullion - Slider Window - 23" - Anod.
9	002184-01-000	EA	Glass - 1/8" x 22" x 16.55" - Stationary
10	023275-01-000	EA	Latch - Window - Aluminum
	041839-01-000	FT	Tape - Foam - Aluminum Window Latch
	002296-01-000	FT	Spline - Screen - .130" Diameter Gray
	002293-01-000	SF	Screen - Window - 26" - Gray
	023713-01-000	EA	Cover - Weephole - White Plastic
	035276-03-000	EA	Frame - Window Inside - 23" x 30" (not included in window assembly)
			Not Illustrated

Key	Part Number	U/M	Description
1	035234-01-000	EA	Window Asm. - Radius - Right Slanted Slider w/o Inside Frame
	035235-01-000	EA	Window Asm. - Radius - Left Slanted Slider w/o Inside Frame
2	034147-01-000	EA	Glass - 1/8" x 22" x 25.38" - Stationary
3	002324-01-000	FT	Channel - Weatherstrip - Glass Run - 1/8" Gray
4	024096-01-000	FT	Seal - Window Channel - Gray
5	004363-01-000	FT	Tape - Foam - 3/16" x 1/2" - Gray
6	018025-01-000	EA	Holder - Glass Seal
7	002309-01-000	FT	Spline - Glass - 1/8" - Gray
8	041894-01-000	EA	Mullion - Slider Window - 23"
9	002180-01-000	EA	Glass - 1/8" x 22" x 19.05" - Sliding
10	023275-01-000	EA	Latch Asm. - Window
	035274-05-000	EA	Frame - Inside - Front - Slanted Slider - Right
	035274-06-000	EA	Frame - Inside - Front - Slanted Slider - Left
	020834-01-000	EA	Screen Asm. - Slider
	023713-01-000	EA	Cover - Weephole - Plastic - White
			Not Illustrated

1975 WINNEBAGO
TABLE OF CONTENTS

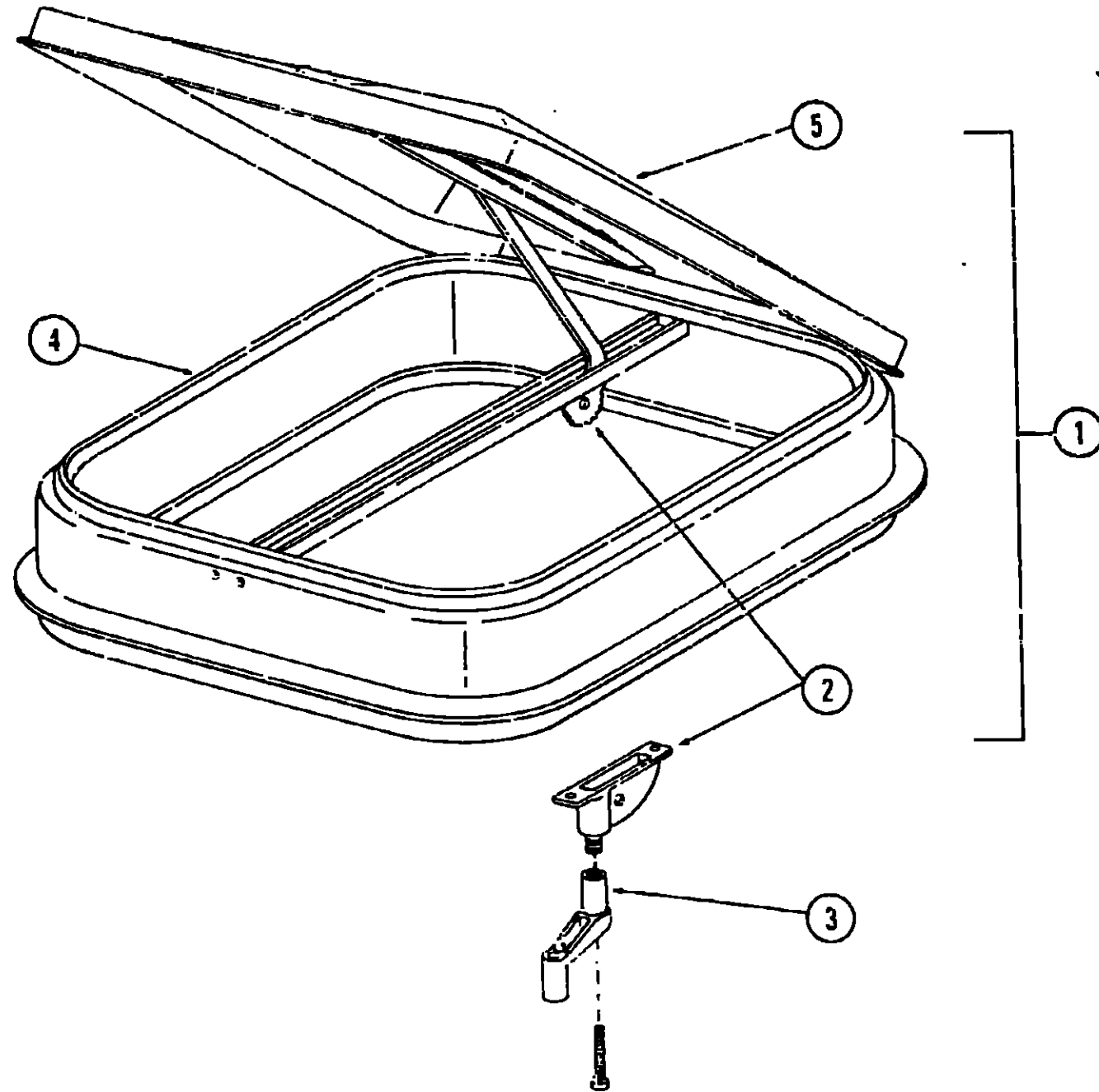
MWRG
MWRB
MWRD
D24

A-1 - B-6
B-7 - C-14
C-15 - D-20
D-21 - F-6

1975 D24 INDEX

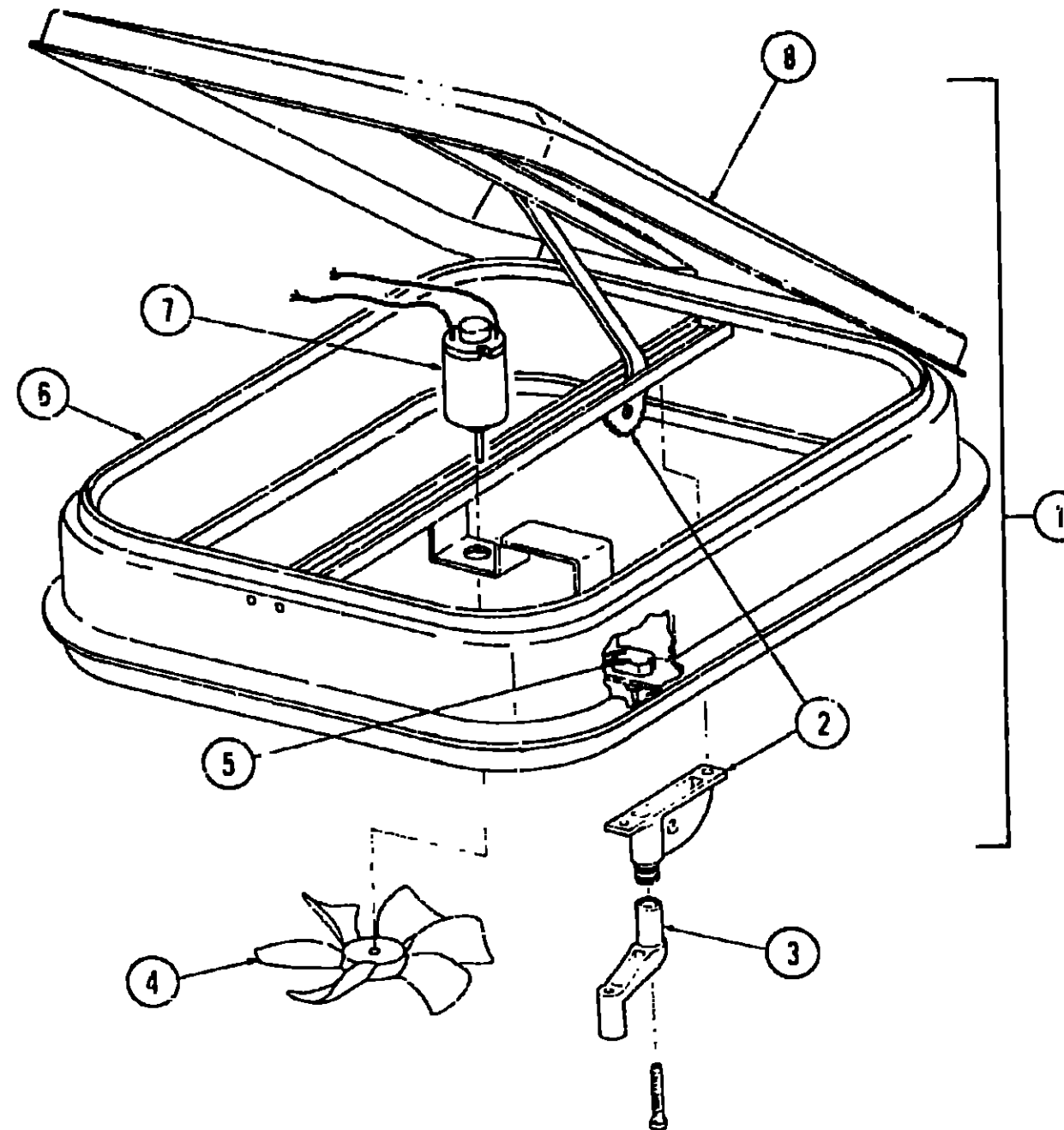
Floor Plan	D-21 - D-22
Accessories Group	D-23 - D-24
Bath Group	E-1
Chassis Group	E-2
Curtain, Cushion & Pad Group	E-3 - E-5
Dinette Group	E-5
Driver's Compartment Group	E-6
Electrical Group	E-7 - E-8
Exterior Body Group	E-9 - E-12
Galley Group	E-13
Heating & Air Conditioning Group	E-14
Interior Finish Group	E-15 - E-16
LP Group	E-17
Lounge Group	E-17
Water & Sewage Group	E-18
Window, Vent & Exterior Door Group	E-19 - E-24
	F-1 - F-6

WINDOW, VENT AND EXTERIOR DOOR GROUP (CONTINUED)



Key	Part Number	U/M	Description
1	048835-01-000	EA	Vent Asm - Roof - Nonpowered - w/o Screen
2	003440-01-000	EA	Gear - Arm - Roof Vent
3	009439-01-000	EA	Crank - Roof Vent
4	002825-01-000	FT	Weatherstrip - Roof Vent
5	046825-01-000	EA	Cover - Plastic - Roof Vent
*	016335-01-000	EA	Screen Asm. - Nonpowered Roof Vent - Clear Anod. (not included in assembly)
*	Not Illustrated		

WINDOW, VENT AND EXTERIOR DOOR GROUP (CONTINUED)



Key	Part Number	U/M	Description
1	048789-01-000	EA	Vent Asm. - Roof - Powered - w/o Screen
2	009440-01-000	EA	Gear - Arm - Roof Vent
3	009439-01-000	EA	Crank - Roof Vent
4	048649-01-000	EA	Fan - Blade - 6" - Plastic
*	009442-01-000	EA	Fan - Blade Alum.
5	008195-01-000	EA	Switch - Push Button - 12 Volt
6	002825-01-000	FT	Weatherstrip - Roof Vent
7	048648-01-000	EA	Motor - 12 Volt (Vent w/Plastic Fan)
*	009441-01-000	EA	Motor - 12 Volt (Vent w/Alum. Fan)
8	046825-01-000	EA	Cover - Plastic - Roof Vent (Vent w/Plastic Fan)
*	016336-01-000	EA	Cover - Plastic - Roof Vent - (Vent w/Alum. Fan)
*	048695-01-000	EA	Screen Asm. - Powered Roof Vent - Clear Anod. Vent w/Plastic Fan (not included in assembly)
*	016337-01-000	EA	Screen Asm. - Powered Roof Vent - Clear Anod. Vent w/Alum. Fan (not included in assembly)
*	Not Illustrated		

**1975 WINNEBAGO
TABLE OF CONTENTS**

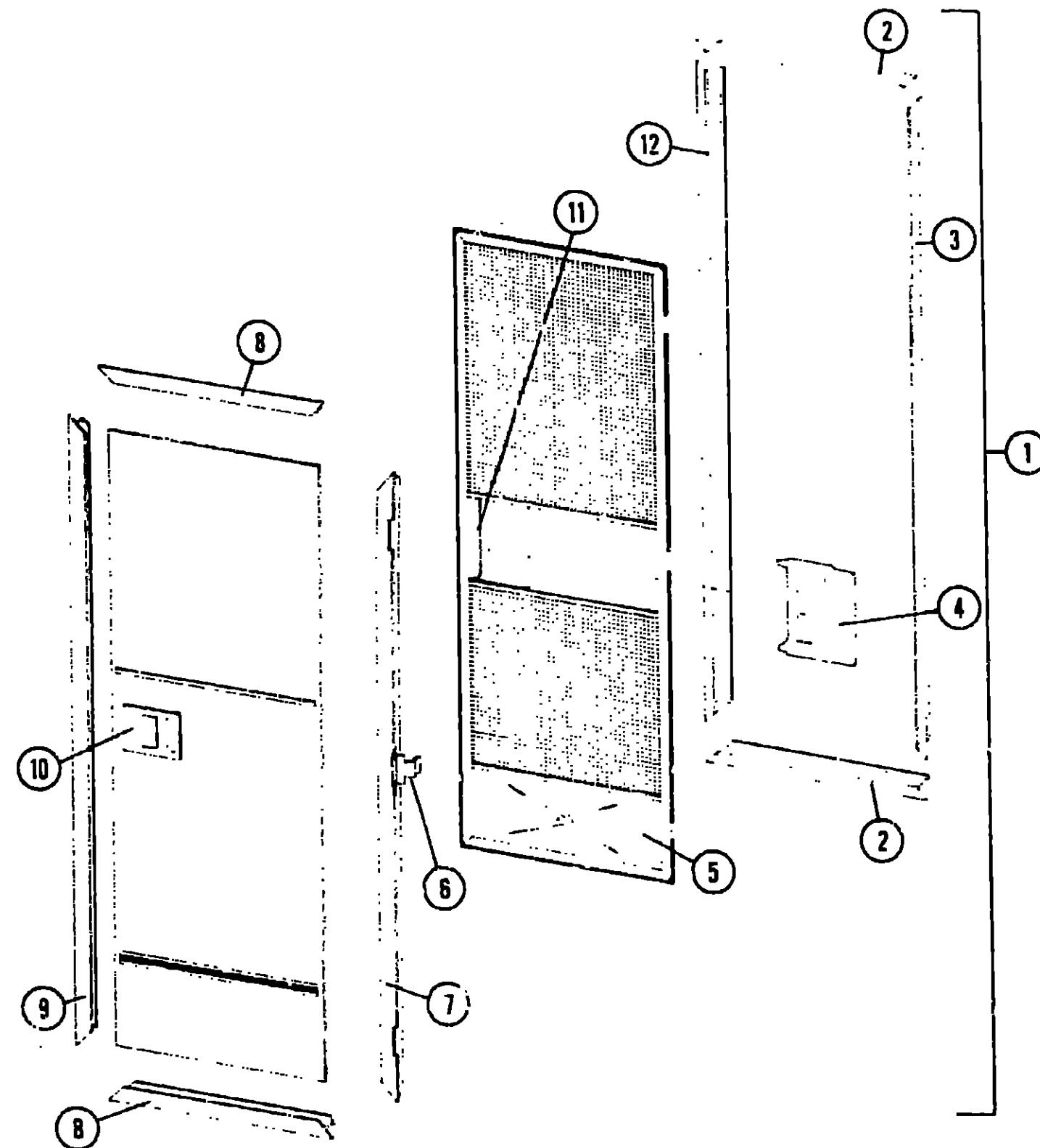
MWRG
MWRB
MWRD
D24

A-1 - B-6
B-7 - C-14
C-15 - D-20
D-21 - F-6

1975 D24 INDEX

Floor Plan	D-21 - D-22
Accessories Group	D-23 - D-24
Bath Group	E-1
Chassis Group	E-2
Curtain, Cushion & Pad Group	E-3 - E-5
Dinette Group	E-5
Driver's Compartment Group	E-6
Electrical Group	E-7 - E-8
Exterior Body Group	E-9 - E-12
Galley Group	E-13
Heating & Air Conditioning Group	E-14
Interior Finish Group	E-15 - E-16
LP Group	E-17
Lounge Group	E-17
Water & Sewage Group	E-18
Window, Vent & Exterior Door Group	E-19 - E-24
	F-1 - F-6

WINDOW, VENT AND EXTERIOR DOOR GROUP (CONTINUED)



1975 WINNEBAGO
TABLE OF CONTENTS

MWRG
MWRB
MWRD
D24

A-1 - B-6
B-7 - C-14
C-15 - D-20
D-21 - F-6

1975 D24 INDEX

Floor Plan	D-21 - D-22
Accessories Group	D-23 - D-24
Bath Group	E-1
Chassis Group	E-2
Curtain, Cushion & Pad Group	E-3 - E-5
Dinette Group	E-5
Driver's Compartment Group	E-6
Electrical Group	E-7 - E-8
Exterior Body Group	E-9 - E-12
Galley Group	E-13
Heating & Air Conditioning Group	E-14
Interior Finish Group	E-15 - E-16
LP Group	E-17
Lounge Group	E-17
Water & Sewage Group	E-18
Window, Vent & Exterior Door Group	E-19 - E-24
	F-1 - F-6

Key	Part Number	U/M	Description
1	035306-05-000	EA	Door Asm. - Entrance w/o Window
2	017288-01-000	EA	Jamb - Entry Door - Upper or Lower
3	023012-02-000	EA	Jamb - Entry Door Right
4	015580-01-000	EA	Slider - Screen Door - Plastic
5	016874-01-000	EA	Door Asm. - Screen - 25" x 73"
6	024650-01-000	EA	Hinge - Entry Door/Screen Door
7	017376-02-000	EA	Frame - Entry Door Right
8	017283-02-000	EA	Frame - Entry Door - Upper or Lower
9	017377-02-000	EA	Frame - Entry Door - Left
10	024094-01-000	EA	Latch - Entry Door - Hartwell

Key	Part Number	U/M	Description
11	015581-C1-000	EA	Cap - Screen Door - Plastic
12	023011-02-000	EA	Jamb - Entry Door - Left
-	002702-01-000	FT	Weatherstrip - Bulb T - Vinyl
-	002703-01-000	FT	Weatherstrip - Bulb L - Vinyl
-	002712-01-000	EA	Hinge Pin - Upper
-	002718-01-000	EA	Hinge Pin - Lower
-	002002-01-000	EA	Drip Cap - 31" - Aluminum
-	009011-01-000	EA	Lock - Deadbolt - 2 3/4"
-	039863-01-000	EA	Catch Asm. - Single Roller w/Strike - Screen Door
-	009016-01-000	EA	Catch - Elbow - Spring Loaded - Screen Door
-	-	-	Not Illustrated

WINDOW, VENT AND EXTERIOR DOOR GROUP (CONTINUED)

WINDSHIELD

Key	Part Number	U/M	Description
	035231-01-000	EA	Frame Asm. - Windshield - w/o Glass
	034975-01-000	EA	Glass - Windshield - 1/4" x 26.89" x 44.08"
	035326-01-000	FT	Trim - Windshield - Black
	035022-01-000	FT	Tape - Windshield - 3/8" x 3/8" Butyl
	038901-01-000	EA	Cap - Plastic - Windshield - Tee - Top
	038901-02-000	EA	Cap - Plastic - Windshield - Tee - Bottom
	038493-03-000	EA	Trim - Windshield - Right
	038493-04-000	EA	Trim - Windshield - Left

VENTS

Key	Part Number	U/M	Description
	009407-01-000	EA	Frame - Refrigerator Roof Vent w/o Cover
	039778-01-000	EA	Cover - Refrigerator Vent - Plastic
	003212-02-000	EA	Vent - Stovehood - Outside - Non Powered
	003213-03-000	EA	Vent - Stovehood - Outside - Less Damper - Off White - Strawsine

ACCESS DOORS

Key	Part Number	U/M	Description
	022583-02-000	EA	Door Asm. - LP - Off White
	009426-02-000	EA	Door - Power Cord Hatch - Off White
	035324-01-000	EA	Door Asm. - Top Hinged Luggage Door
	037433-04-000	EA	Door Asm. - Luggage (when no generator is installed) Off White
	037807-04-000	EA	Door Asm. - Refrigerator - Off White
	035757-01-000	EA	Door Asm. - Generator - Off White
	039884-01-000	EA	Kit - Twist Type Lock w/Clip
	047305-01-000	EA	Kit - Key Type Lock w/Clip

**1975 WINNEBAGO
TABLE OF CONTENTS**

MWRG	A-1 - B-6
MWRB	B-7 - C-14
MWRD	C-15 - D-20
D24	D-21 - F-6

1975 D24 INDEX

Floor Plan	D-21 - D-22
Accessories Group	D-23 - D-24
Bath Group	E-1
Chassis Group	E-2
Curtain, Cushion & Pad Group	E-3 - E-5
Dinette Group	E-5
Driver's Compartment Group	E-6
Electrical Group	E-7 - E-8
Exterior Body Group	E-9 - E-12
Galley Group	E-13
Heating & Air Conditioning Group	E-14
Interior Finish Group	E-15 - E-16
LP Group	E-17
Lounge Group	E-17
Water & Sewage Group	E-18
Window, Vent & Exterior Door Group	E-19 - E-24
	F-1 - F-6