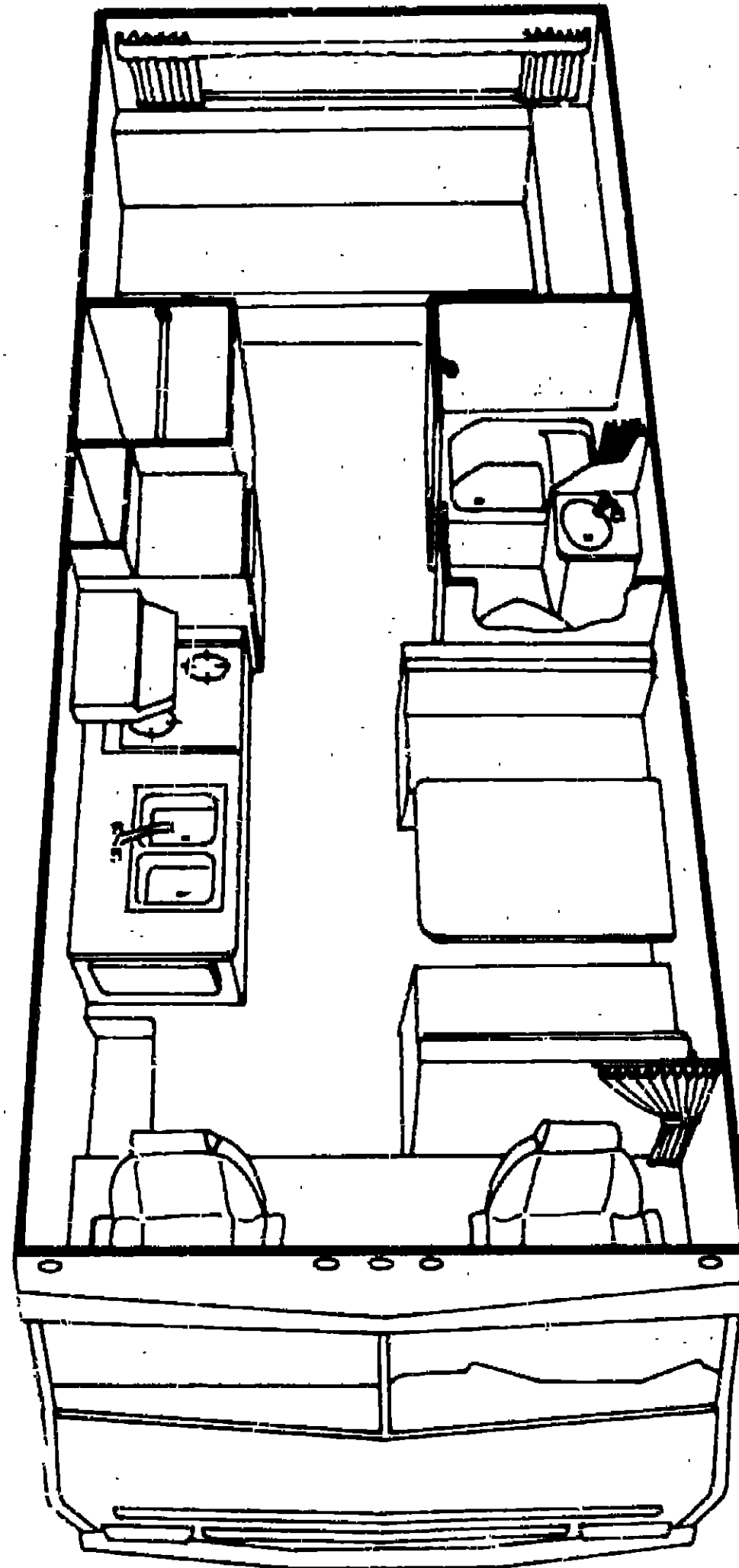


1975

D23

IMPORTANT

Two varieties of paneling (Wormy Pecan and Maple) were used for cabinetry in this unit. Therefore it is necessary to determine which paneling was used before ordering replacement cabinetry. Refer to the Color Material Guide to aid in making the selection.



1975 WINNEBAGO TABLE OF CONTENTS

D25CUL
D-19
D-21
D23
D23L
D25

A-1 - B-10
B-11 - C-18
C-19 - E-4
E-5 - F-16
F-17 - H-2
H-3 - I-12

1975 D23 INDEX

Floor Plan	E-5 - E-6
Accessories Group	E-7 - E-8
Bath Group	E-9
Chassis Group	E-9 - E-10
Curtain, Cushion & Pad Group	E-11 - E-14
Dinette Group	E-15
Driver's Compartment Group	E-15 - E-16
Electrical Group	E-17 - E-18
Exterior Body Group	E-19 - E-22
Galley Group	E-23
Heating & Air Conditioning Group	E-23
Interior Finish Group	F-1 - F-2
LP Group	F-3
Lounge Group	F-3
Water & Sewage Group	F-4
Window, Vent & Exterior Door Group	F-5 - F-16

ACCESSORIES GROUP

RADIOS AND RELATED COMPONENTS

Key	Part Number	U/M	Description
	031105-01-000	EA	Antenna - Radio - Side Mount
	031105-01-700	EA	Clip - Retaining - Side Mount Antenna
	039879-01-000	EA	Kit - Radio Speaker - 5 1/4" w/Cover
	049730-01-000	EA	Radio - AM w/Fader - Clarion
	049731-01-000	EA	Radio - AM/FM/MPX - w/Fader - Clarion
	049732-01-000	EA	Radio - AM/FM/MPX - 8 Track - w/Fader - Clarion
	045146-01-000	EA	Radio - CB - Messenger 123A - Johnson
	043153-01-000	EA	Antenna - CB - Camper Style

SPEED CONTROLS AND COMPONENTS

Key	Part Number	U/M	Description
	007256-01-000	EA	Speed Control Package - 318 Dodge - Lever Type - A Body
	007255-01-700	EA	Regulator Asm.
	037255-01-701	EA	Servo Asm. (318)
	024746-01-702	EA	Switch - Engage Lever
	007255-01-703	EA	Cable Asm. - Transmission - 42"
	007255-01-704	EA	Switch Asm. - Decelerate
	024746-01-705	EA	Relay - Speed Control
	024746-01-000	EA	Speed Control Package - 440 Dodge - Lever Type - A Body
	024746-01-701	EA	Servo Asm. (440)

GENERATORS AND INSTALLATION KITS

Key	Part Number	U/M	Description
	007059-01-000	EA	Generator - Onan - 2500 Watt CCK - w/Vounting Bolts and Rubber Feet
	044066-01-000	EA	Generator - Onan - 4000 Watt BF - w/Mounting Bolts and Rubber Feet
	007058-01-000	EA	Generator - Onan - 5000 Watt CCK - w/Mounting Bolts and Rubber Feet
	039237-01-000	EA	Kit - 2500, 4000, 5000 Onan Installation w/o Bolt Package and Rubber Feet
	007290-01-000	EA	Tailpipe - Generator Exhaust - 1.62" x 17"
	007131-01-000	EA	Hanger - Tailpipe
	024732-01-004	EA	Steel Tubing - 1.5" O.D. - 18 Gauge x 34"
	007292-01-000	EA	Muffler - Generator
	007125-07-000	EA	Clamp Asm. - Muffler - 2.50" Dia.
	007125-01-000	EA	Clamp Asm. - Muffler - 1.62" Dia.
	007125-03-000	EA	Clamp Asm. - Muffler - 1.50" Dia.
	042865-01-000	EA	Scoop - Generator - Air
	007067-01-000	SF	Insulation - Fiberglass - 1"
	045226-01-000	EA	Tray - Sliding - Generator
	007059-02-000	EA	Bolt Package
	007059-03-000	EA	Foot - Rubber - Generator Mounting
	031035-01-000	EA	Gauge - Hourmeter
	024976-01-000	EA	Switch - Generator - w/o Circuit Board
	037387-01-000	EA	Switch - Generator - w/Circuit Board

ACCESSORIES GROUP (CONTINUED)

FRONT BUNK, CABINET AND HARDWARE

Key	Part Number	U/M	Description
	031471-02-700	EA	Cabinet Asm. - Front Overhead w/o Doors or Hardware - Wormy Pecan
	031471-02-701	EA	Cabinet Asm. - Front Overhead w/o Doors or Hardware - Maple
	031471-02-702	EA	Door Asm. - Sliding - Front Overhead Bunk Cabinet - Wormy Pecan
	031471-02-703	EA	Door Asm. - Sliding - Front Overhead Bunk Cabinet - Maple
	009148-01-000	EA	Pull - Finger - 3/4" Brass - Sliding Door
	079785-0-000	FT	Track - Sliding Door - Upper - Plastic
	009786-01-000	FT	Track - Sliding Door - Lower - Plastic
	017641-01-000	EA	Stabilizer Asm. - Bunk
	040071-01-700	EA	Support - Bunk - Overhead Seatbelt Kit
	022540-01-000	EA	Support Asm. - Bunk Strap - 20"
	042988-01-000	EA	Support Asm. - Left and Right - Overhead Bunk
	043219-06-000	EA	Bunk - Front - Overhead - (Board w/Rails)
	006076-01-000	EA	Ladder - Bunk - 66" - Aluminum

MISCELLANEOUS ACCESSORIES

Key	Part Number	U/M	Description
	044148-01-000	EA	TV - Color - 13" Sharp
	006093-01-000	EA	Jack - TV - Brown
	006053-01-000	EA	Antenna - TV - Braund Delux
	031450-01-000	EA	Vacuum - Wall Mount w/Attachments
	700108-02-000	EA	Vacuum Bags (used with 031450-01-000)
	036420-01-000	EA	Fan - Defroster
	041944-01-700	EA	Fire Extinguisher - Dry Chemical w/Bracket
	007035-01-000	EA	Ladder - w/Luggage Rack - Square
	007035-02-000	EA	Pads, Caps, Blocks for Square Rack
	007035-03-000	EA	Ladder Asm. - Square
	017516-01-000	EA	Mud Flap - Black
	006113-01-000	EA	Jack - Hydraulic - 5 Ton
	006091-01-000	EA	Tray Cutlery - Gold
	006060-01-000	EA	Purification System - Water - Everpure
	006060-02-000	EA	Cartridge - Replacement - Everpure
	031396-01-000	EA	cover - Wheel - 17.5" - Chrome
	022400-01-000	EA	Mirror - Outside - w/Convex - Stainless Steel
	700023-04-000	EA	Mirror - Convex - 6" x 4'

1975 WINNEBAGO TABLE OF CONTENTS

D25CUL	A-1 - B-10
D-19	B-11 - C-18
D-21	C-19 - E-4
D23	E-5 - F-16
D23L	F-17 - H-2
D25	H-3 - I-12

1975 D23 INDEX

Floor Plan	E-5 - E-6
Accessories Group	E-7 - E-8
Bath Group	E-9
Chassis Group	E-9 - E-10
Curtain, Cushion & Pad Group	E-11 - E-14
Dinette Group	E-15
Driver's Compartment Group	E-15 - E-16
Electrical Group	E-17 - E-18
Exterior Body Group	E-19 - E-22
Galley Group	E-23
Heating & Air Conditioning Group	E-24
Interior Finish Group	F-1 - F-2
LP Group	F-3
Lounge Group	F-3
Water & Sewage Group	F-4
Window, Vent & Exterior Door Group	F-5 - F-16

BATH GROUP

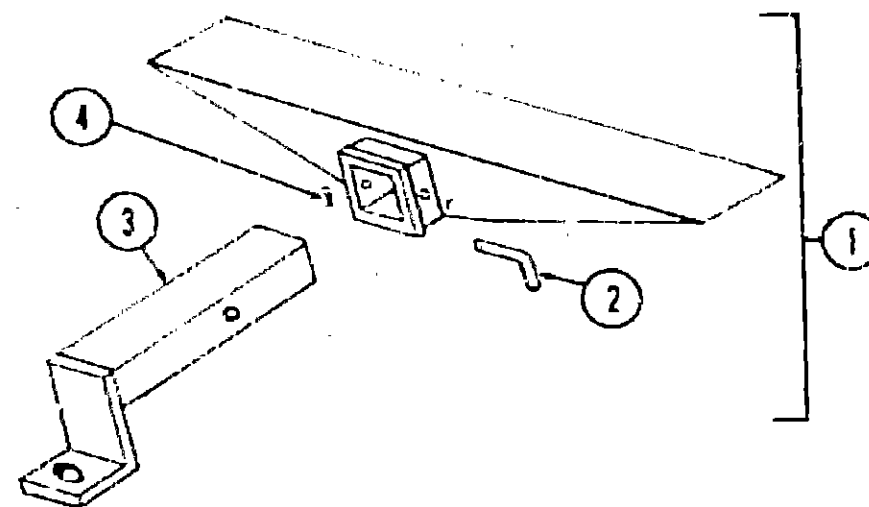
Key	Part Number	U/M	Description
	038434-01-700	EA	Door Asm. - Bathroom w/o Hardware - Wormy Pecan
	038434-01-701	EA	Door Asm. - Bathroom w/o Hardware - Maple
	031247-01-700	EA	Cabinet Asm. - Vanity w/o Sink, Door, or Hardware - Wormy Pecan
	031247-01-701	EA	Cabinet Asm. - Vanity w/o Sink, Door or Hardware - Maple
	031247-01-702	EA	Door Asm. - Vanity Cabinet - 27" x 9 1/4" w/o Hardware - Wormy Pecan
	031247-01-703	EA	Door Asm. - Vanity Cabinet - 27" x 9 1/4" w/o Hardware - Maple
	009150-01-000	EA	Warp - Guard - 64"
	009151-01-000	EA	Warp - Guard - 48"
	009252-01-000	EA	Cabinet Medicine
	009252-01-002	EA	Cabinet - Medicine - Corner
	009256-01-000	EA	Mirror - Cabinet - 9 7/8" x 14 7/8"
	009084-01-000	EA	Mirror - 1/8" x 11" x 16"
	009089-01-000	EA	Clip - Mirror - Plastic w/Screw
	009133-02-000	EA	Bar - Towel Rack - 18" - Plastic
	023449-01-000	EA	Support - Towel Rack - Chrome - Left or Right
	009134-01-000	EA	Holder - Toilet Tissue
	009124-01-000	EA	Lock - Door - Push Button Brass
	020432-01-000	EA	Bathtub - White
	009137-02-000	EA	Curtain - Shower - White
	009136-01-000	EA	Pin - Shower Curtain
	024530-01-000	EA	Track - Curtain Shower
	011048-01-000	EA	Shower Head - w/60" Hose
	011069-01-000	EA	Tailpiece - Drain - 1 1/4" x 4" - Brass
	011070-01-000	EA	Tailpiece - Drain - 1 1/4" x 6" - Brass
	011125-01-000	FT	Molding - Tub - White
	021967-02-000	EA	Lavatory - Large Corner - White
	011056-01-000	EA	Faucet - Lavatory
**	033327-01-000	EA	Toilet - Electra Magic w/o Seat and Lid
**	039341-01-000	EA	Toilet - Aqua Magic Model SH - White

**The illustrated parts breakdown for this item is provided on the Common Items Fiche.

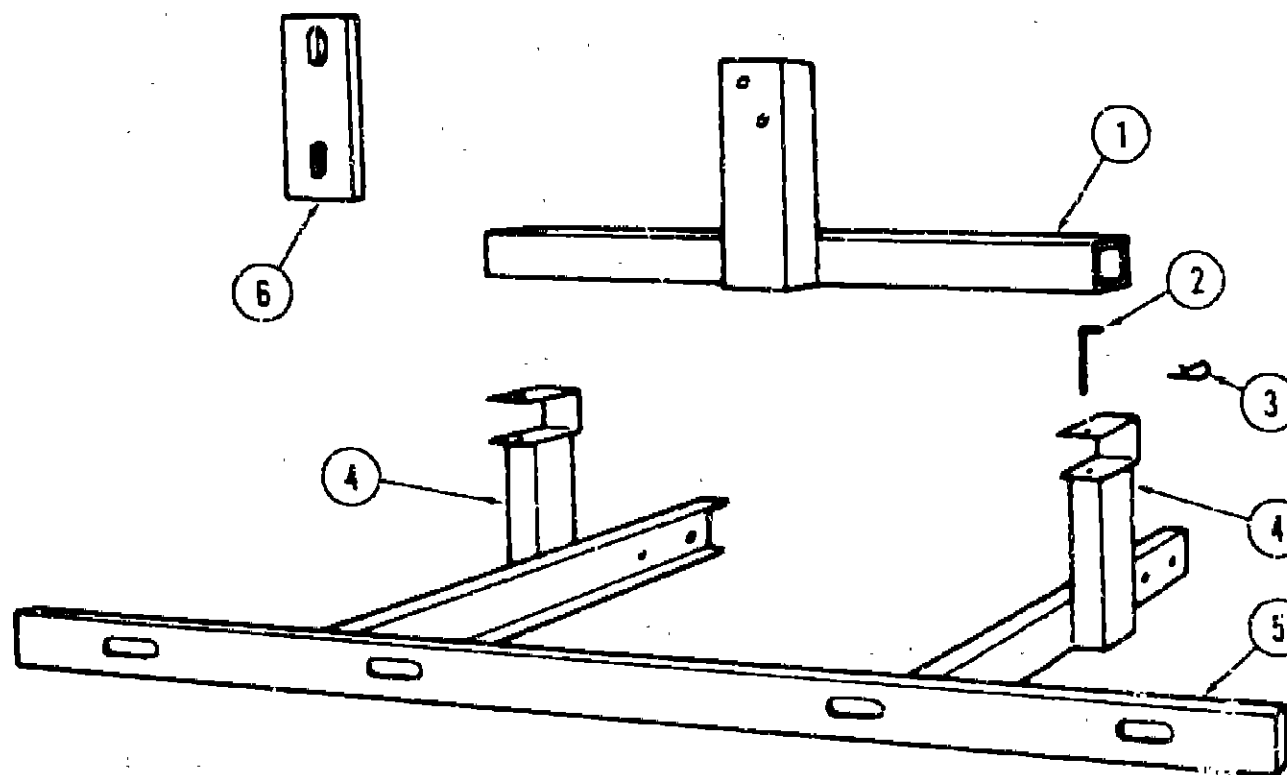
CHASSIS GROUP

Key	Part Number	U/M	Description
	038459-01-000	EA	Tank - Fuel - 22.9 Gallon - Auxiliary
	046775-01-000	EA	Valve - Gas Change Cover
	007140-01-000	EA	Clamp - Hose - 2" to 3" Dia.
	024138-01-000	FT	Hose - Fuel - 5/16" I.D.
	024141-01-000	FT	Hose - Rubber - 1/2" I.D.
	007111-01-000	FT	Hose - Fuel 2 1/4" I.D.
	024591-02-000	EA	Fill - Gas - w/Vent 4.5"
	024611-02-000	EA	Cap - Gas - Pressure - 1.5" - Chrome
	024465-01-000	EA	Switch - Fuel
	038460-01-000	EA	Sending Unit - Fuel - 78 Ohm
	007258-01-000	EA	Tailpipe - Curved - 2" x 48"
	007131-01-000	EA	Hanger - Tailpipe
	020275-01-000	EA	Bracket - Tie Down - Short Battery Box
	021276-01-000	EA	Tray - Battery - Steel
	045226-01-000	EA	Tray - Generator - Steel
	022879-01-000	EA	Hoodboard - Steel - Right
	022879-02-000	EA	Hoodboard - Steel - Left
	013382-01-000	EA	Compartment - Power Cord - Plastic
	015253-01-000	EA	Compartment - LP - Plastic

CHASSIS GROUP (CONTINUED)



Key	Part Number	U/M	Description
1	023695-01-700	EA	Hitch Kit - w. Drawbar
2	034512-01-000	EA	Pin - Locking - Drawbar
3	024676-01-000	EA	Drawbar Asm. - Trailer Hitch
4	034513-01-000	EA	Pin - Hitch - 3/16" Wire



Key	Part Number	U/M	Description
1	016924-01-000	EA	Mounting Asm. - Tube Tire Carrier
2	005522-01-000	EA	Pin Hitch - 5/32" Wire
3	015365-01-000	EA	Pin - Tire Carrier
4	021616-02-000	EA	Bracket - Tire Carrier - Left
4	021616-03-000	EA	Bracket - Tire Carrier - Right
5	024879-03-000	EA	Bracket - Mounting Bumper - Rear
6	040974-02-000	EA	Retaining Bar - Spare Tire
*	020858-02-000	EA	Bumper Asm. - Rear
*	022528-01-000	EA	Bumper Asm. - Front
*			Not Illustrated

1975 WINNEBAGO TABLE OF CONTENTS

D25CUL	A-1 - B-10
D-19	B-11 - C-18
D-21	C-19 - E-4
D23	E-5 - F-16
D23L	F-17 - H-2
D25	H-3 - I-12

1975 D23 INDEX

Floor Plan	E-5 - E-6
Accessories Group	E-7 - E-8
Bath Group	E-9
Chassis Group	E-9 - E-10
Curtain, Cushion & Pad Group	E-11 - E-14
Dinette Group	E-15
Driver's Compartment Group	E-15 - E-16
Electrical Group	E-17 - E-18
Exterior Body Group	E-19 - E-22
Galley Group	E-23
Heating & Air Conditioning Group	E-24
Interior Finish Group	F-1 - F-2
LP Group	F-3
Lounge Group	F-3
Water & Sewage Group	F-4
Window, Vent & Exterior Door Group	F-5 - F-16

CURTAIN, CUSHION AND PAD GROUP

CURTAINS

Key	Part Number	U/M	Description
	040406-13-000	EA	Curtain - Underdrape - 25" x 42" - Phoenix
	040406-14-000	EA	Curtain - Underdrape - 19" x 42" - Phoenix
	041143-14-000	EA	Curtain - Overdrape - 25" x 32" - Right - Green
	041143-15-000	EA	Curtain - Overdrape - 25" x 32" - Right - Orange
	041143-16-000	EA	Curtain - Overdrape - 25" x 32" - Right - Blue
	041144-14-000	EA	Curtain - Overdrape - 25" x 32" - Left - Green
	041144-15-000	EA	Curtain - Overdrape - 25" x 32" - Left - Orange
	041144-16-000	EA	Curtain - Overdrape - 25" x 32" - Left - Blue
	041143-08-000	EA	Curtain - Overdrape - 25" x 52" - Right - Green
	041143-09-000	EA	Curtain - Overdrape - 25" x 52" - Right - Orange
	041143-10-000	EA	Curtain - Overdrape - 25" x 52" - Right - Blue
	041144-08-000	EA	Curtain - Overdrape - 25" x 52" - Left - Green
	041144-09-000	EA	Curtain - Overdrape - 25" x 52" - Left - Orange
	041144-10-000	EA	Curtain - Overdrape - 25" x 52" - Left - Blue
	041143-11-000	EA	Curtain - Overdrape - 25" x 42" - Right - Green
	041143-12-000	EA	Curtain - Overdrape - 25" x 42" - Right - Orange
	041143-13-000	EA	Curtain - Overdrape - 25" x 42" - Right - Blue
	041144-11-000	EA	Curtain - Overdrape - 25" x 42" - Left - Green
	041144-12-000	EA	Curtain - Overdrape - 25" x 42" - Left - Orange
	041144-13-000	EA	Curtain - Overdrape - 25" x 42" - Left - Blue
	041243-01-000	EA	Curtain - Wraparound - 108" x 22 1/2" - Right - Phoenix
	04244-01-000	EA	Curtain - Wraparound - 108" x 22 1/2" - Left - Phoenix
	033311-01-000	EA	Curtain - Blackout - 58" x 96" - Oxen Tan Vinyl
	033315-41-000	EA	Curtain - Privacy - 72" x 62" - Oxen Tan Vinyl

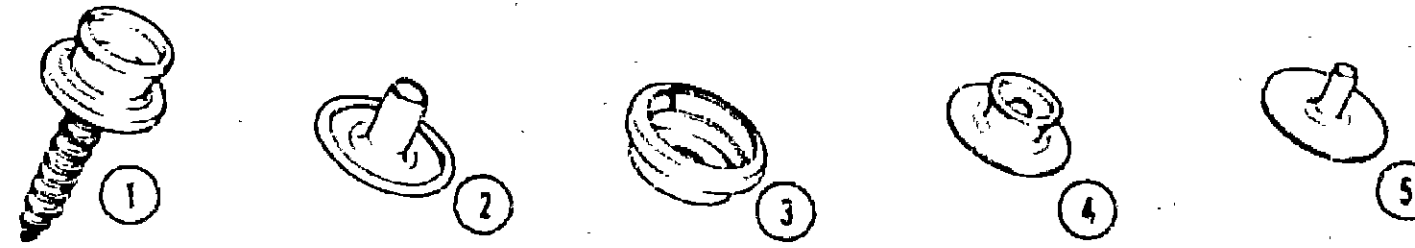
VALANCES AND TIEBACKS

Key	Part Number	U/M	Description
	038328-34-000	EA	Valance - 6" x 86" - Green
	038328-35-000	EA	Valance - 6" x 86" - Orange
	038328-36-000	EA	Valance - 6" x 86" - Blue
	038328-57-000	EA	Valance - 6" x 64" - Green
	038328-58-000	EA	Valance - 6" x 64" - Orange
	038328-59-000	EA	Valance - 6" x 64" - Blue
	038328-60-000	EA	Valance - 6" x 42" - Green
	038328-61-000	EA	Valance - 6" x 42" - Orange
	038328-62-000	EA	Valance - 6" x 42" - Blue
	031843-17-000	EA	Tie Back - Curtain - Oxen Tan Vinyl

CURTAIN HARDWARE

Key	Part Number	U/M	Description
	052327-04-236	EA	Curtain Track - Alum. - Brown - 89" w/Holes
	009107-01-000	EA	guide - Nylon Snap
	009701-01-000	EA	Carrier - Curtain - L-Rod - w/Rollers
	009702-01-000	EA	End Stop - Curtain Track (used with L-Rod)
	029100-01-000	EA	Hook - Curtain - Privacy
	009136-01-000	EA	Hook - Shower Curtain
	020438-01-000	EA	Track - Wraparound Curtain - Left
	012495-01-000	EA	Track - Wraparound - Curtain - Right
	018031-42-000	EA	Track - Curtain - L-Rod - 90" Aluminum
	037872-01-000	EA	Rod - Curtain - Double Flat - Extends - 48" - 54"
	037872-02-000	EA	Rod - Curtain - Double Flat - Extends - 28" - 48"

CURTAIN, CUSHION AND PAD GROUP (CONTINUED)



Key	Part Number	U/M	Description
1	029130-01-000	EA	Socket - Snap Fastener (Tie Backs)
2	029155-01-000	EA	Cap - Snap - .156" Dia. x .17" Barrel (Tie Back)
3	029156-01-000	EA	Socket - Snap Fastener (Tie Back)
4	029092-01-000	EA	Stud - Nickel Finish
5	029093-01-000	EA	Eyelet - Nickel Finish

DINETTE CUSHIONS - BOXING STYLE

Key	Part Number	U/M	Description
	031500-43-000	EA	Cushion - Dinette Back - Boxing Style - 14 1/4" x 38" x 5" - Green
	031500-44-000	EA	Cushion - Dinette Back - Boxing Style - 14 1/4" x 38" x 5" - Orange
	031500-45-000	EA	Cushion - Dinette Back - Boxing Style - 14 1/4" x 38" x 5" - Blue
	031500-43-043	EA	Cover - Cushion - Dinette Back - Boxing Style - 14 1/4" x 38" x 5" - Green
	031500-44-044	EA	Cover - Cushion - Dinette Back - Boxing Style - 14 1/4" x 38" x 5" - Orange
	031500-45-045	EA	Cover - Cushion - Dinette Back - Boxing Style - 14 1/4" x 38" x 5" - Blue
	031500-40-000	EA	Cushion - Dinette Bottom - Boxing Style - 21 3/4" x 38" x 5" - Green
	031500-41-000	EA	Cushion - Dinette Bottom - Boxing Style - 21 3/4" x 38" x 5" - Orange
	031500-42-000	EA	Cushion - Dinette Bottom - Boxing Style - 21 3/4" x 38" x 5" - Blue
	031500-40-000	EA	Cover - Cushion - Dinette Bottom - Boxing Style - 21 3/4" x 38" x 5" - Green
	031500-41-041	EA	Cover - Cushion - Dinette Bottom - Boxing Style - 21 3/4" x 38" x 5" - Orange
	031500-42-042	EA	Cover - Cushion - Dinette Bottom - Boxing Style - 21 3/4" x 38" x 5" - Blue

DINETTE CUSHIONS - MITERED STYLE

Key	Part Number	U/M	Description
	041667-52-000	EA	Cushion - Dinette Back - Mitered Style - 14 1/4" x 38" x 5" - Green
	041667-53-000	EA	Cushion - Dinette Back - Mitered Style - 14 1/4" x 38" x 5" - Orange
	041667-54-000	EA	Cushion - Dinette Back - Mitered Style - 14 1/4" x 38" x 5" - Blue
	041667-52-052	EA	Cover - Cushion - Dinette Back - Mitered Style - 14 1/4" x 38" x 5" - Green
	041667-53-053	EA	Cover - Cushion - Dinette Back - Mitered Style - 14 1/4" x 38" x 5" - Orange
	041667-54-054	EA	Cover - Cushion - Dinette Back - Mitered Style - 14 1/4" x 38" x 5" - Blue
	039930-44-000	EA	Cushion - Dinette Bottom - Mitered Style - 21 3/4" x 38" x 5" - Green
	039930-45-000	EA	Cushion - Dinette Bottom - Mitered Style - 21 3/4" x 38" x 5" - Orange
	039930-46-000	EA	Cushion - Dinette Bottom - Mitered Style - 21 3/4" x 38" x 5" - Blue
	039930-44-044	EA	Cover - Cushion - Dinette Bottom - Mitered Style - 21 3/4" x 38" x 5" - Green
	039930-45-045	EA	Cover - Cushion - Dinette Bottom - Mitered Style - 21 3/4" x 38" x 5" - Orange
	039930-46-046	EA	Cover - Cushion - Dinette Bottom - Mitered Style - 21 3/4" x 38" x 5" - Blue

**1975 WINNEBAGO
TABLE OF CONTENTS**

D25CUL	A-1 - B-10
D-19	B-11 - C-18
D-21	C-19 - E-4
D23	E-5 - F-16
D23L	F-17 - H-2
D25	H-3 - I-12

1975 D23 INDEX

Floor Plan	E-5 - E-6
Accessories Group	E-7 - E-8
Bath Group	E-9
Chassis Group	E-9 - E-10
Curtain, Cushion & Pad Group	E-11 - E-14
Dinette Group	E-15
Driver's Compartment Group	E-15 - E-16
Electrical Group	E-17 - E-18
Exterior Body Group	E-19 - E-22
Galley Group	E-23
Heating & Air Conditioning Group	E-24
Interior Finish Group	F-1 - F-2
LP Group	F-3
Lounge Group	F-3
Water & Sewage Group	F-4
Window, Vent & Exterior Door Group	F-5 - F-16

CURTAIN, CUSHION AND PAD GROUP (CONTINUED)

LOUNGE CUSHIONS - BOXING STYLE

Key	Part Number	U/M	Description
	031516-07-000	EA	Cushion - Bottom - Boxing Style - 23" x 78 1/2" x 4" - Green
	031516-08-000	EA	Cushion - Bottom - Boxing Style - 23" x 78 1/2" x 4" - Orange
	031516-09-000	EA	Cushion - Bottom - Boxing Style - 23" x 78 1/2" x 4" - Blue
	031516-07-007	EA	Cover - Cushion - Bottom - Boxing Style - 23" x 78 1/2" x 4" - Green
	031516-08-008	EA	Cover - Cushion - Bottom - Boxing Style - 23" x 78 1/2" x 4" - Orange
	031516-09-009	EA	Cover - Cushion - Bottom - Boxing Style - 23" x 78 1/2" x 4" - Blue
	031502-19-000	EA	Cushion - Back - 2 - Fold - Boxing Style - 25" x 78 1/2" x 4" - Green
	031502-20-000	EA	Cushion - Back - 2 - Fold - Boxing Style - 25" x 78 1/2" x 4" - Orange
	031502-21-000	EA	Cushion - Back - 2 - Fold - Boxing Style - 25" x 78 1/2" x 4" - Blue
	031502-19-019	EA	Cover - Cushion - Back - 2 - Fold - Boxing Style - 25" x 78 1/2" x 4" - Green
	031502-20-020	EA	Cover - Cushion - Back - 2 - Fold - Boxing Style - 25" x 78 1/2" x 4" - Orange
	031502-21-021	EA	Cover - Cushion - Back - 2 - Fold - Boxing Style - 25" x 78 1/2" x 4" - Blue
	031516-10-000	EA	Cushion - Bottom - Boxing Style - 23" x 89" x 4" - Green
	031516-11-000	EA	Cushion - Bottom - Boxing Style - 23" x 89" x 4" - Orange
	031516-12-000	EA	Cushion - Bottom - Boxing Style - 23" x 89" x 4" - Blue
	031516-10-010	EA	Cover - Cushion - Bottom - Boxing Style - 23" x 89" x 4" - Green
	031516-11-011	EA	Cover - Cushion - Bottom - Boxing Style - 23" x 89" x 4" - Orange
	031516-12-012	EA	Cover - Cushion - Bottom - Boxing Style - 23" x 89" x 4" - Blue
	031502-22-000	EA	Cushion - Back - 2 - Fold - Boxing Style - 25" x 89" x 4" - Green
	031502-23-000	EA	Cushion - Back - 2 - Fold - Boxing Style - 25" x 89" x 4" - Orange
	031502-24-000	EA	Cushion - Back - 2 - Fold - Boxing Style - 25" x 89" x 4" - Blue
	031502-22-022	EA	Cover - Cushion - Back - 2 - Fold - Boxing Style - 25" x 89" x 4" - Green
	031502-23-023	EA	Cover - Cushion - Back - 2 - Fold - Boxing Style - 25" x 89" x 4" - Orange
	031502-24-024	EA	Cover - Cushion - Back - 2 - Fold - Boxing Style - 25" x 89" x 4" - Blue

LOUNGE CUSHIONS - MITERED STYLE

Key	Part Number	U/M	Description
	039930-10-000	EA	Cushion - Bottom - Mitered Style - 23" x 78 1/2" x 4" - Green
	039930-11-000	EA	Cushion - Bottom - Mitered Style - 23" x 78 1/2" x 4" - Orange
	039930-12-000	EA	Cushion - Bottom - Mitered Style - 23" x 78 1/2" x 4" - Blue
	039930-10-010	EA	Cover - Cushion - Bottom - Mitered Style - 23" x 78 1/2" x 4" - Green
	039930-11-011	EA	Cover - Cushion - Bottom - Mitered Style - 23" x 78 1/2" x 4" - Orange
	039930-12-012	EA	Cover - Cushion - Bottom - Mitered Style - 23" x 78 1/2" x 4" - Blue
	040500-01-000	EA	Cushion - Back - 2 - Fold - Mitered Style - 25" x 78 1/2" x 4" - Green
	040500-02-000	EA	Cushion - Back - 2 - Fold - Mitered Style - 25" x 78 1/2" x 4" - Orange
	040500-03-000	EA	Cushion - Back - 2 - Fold - Mitered Style - 25" x 78 1/2" x 4" - Blue
	040500-01-001	EA	Cover - Cushion - Back - 2 - Fold - Mitered Style - 25" x 78 1/2" x 4" - Green
	040500-02-002	EA	Cover - Cushion - Back - 2 - Fold - Mitered Style - 25" x 78 1/2" x 4" - Orange
	040500-03-003	EA	Cover - Cushion - Back - 2 - Fold - Mitered Style - 25" x 78 1/2" x 4" - Blue
	039930-41-000	EA	Cushion - Bottom - Mitered Style - 23" x 89" x 4" - Green
	039930-42-000	EA	Cushion - Bottom - Mitered Style - 23" x 89" x 4" - Orange
	039930-43-000	EA	Cushion - Bottom - Mitered Style - 23" x 89" x 4" - Blue
	039930-41-041	EA	Cover - Cushion - Bottom - Mitered Style - 23" x 89" x 4" - Green
	039930-42-042	EA	Cover - Cushion - Bottom - Mitered Style - 23" x 89" x 4" - Orange
	039930-43-043	EA	Cover - Cushion - Bottom - Mitered Style - 23" x 89" x 4" - Blue
	040500-04-000	EA	Cushion - Back - 2 - Fold - Mitered Style - 25" x 89" x 4" - Green
	040500-05-000	EA	Cushion - Back - 2 - Fold - Mitered Style - 25" x 89" x 4" - Orange
	040500-06-000	EA	Cushion - Back - 2 - Fold - Mitered Style - 25" x 89" x 4" - Blue
	040500-04-004	EA	Cover - Cushion - Back - 2 - Fold - Mitered Style - 25" x 89" x 4" - Green
	040500-05-005	EA	Cover - Cushion - Back - 2 - Fold - Mitered Style - 25" x 89" x 4" - Orange
	040500-06-006	EA	Cover - Cushion - Back - 2 - Fold - Mitered Style - 25" x 89" x 4" - Blue

CURTAIN, CUSHION AND PAD GROUP (CONTINUED)

BUCKET SEATS, ARMRESTS AND HEADRESTS

Key	Part Number	U/M	Description
	033896-04-000	EA	Seat Asm. - Single Bucket w/o Slides - w/Skirt - Green
	033896-06-000	EA	Seat Asm. - Single Bucket w/o Slides - w/Skirt - Orange
	033896-05-000	EA	Seat Asm. - Single Bucket w/o Slides - w/Skirt - Blue
	033970-08-000	EA	Cover - Asm. - Single Bucket Seat - Back - Green
	033970-10-000	EA	Cover Asm. - Single Bucket Seat - Back - Orange
	033970-09-000	EA	Cover Asm. - Single Bucket Seat - Back - Blue
	033972-08-000	EA	Cover Asm. - Single Bucket Seat - Bottom - Green
	033972-10-000	EA	Cover Asm. - Single Bucket Seat - Bottom - Orange
	033972-09-000	EA	Cover Asm. - Single Bucket Seat - Bottom - Blue
	033901-04-000	EA	Seat Asm. - Double Bucket w/Skirt - Green
	033901-06-000	EA	Seat Asm. - Double Bucket w/Skirt - Orange
	033901-05-000	EA	Seat Asm. - Double Bucket w/Skirt - Blue
	033978-04-000	EA	Cover Asm. - Double Bucket Seat - Back - Green
	033978-06-000	EA	Cover Asm. - Double Bucket Seat - Back - Orange
	033978-05-000	EA	Cover Asm. - Double Bucket Seat - Back - Blue
	033980-04-000	EA	Cover Asm. - Double Bucket Seat - Bottom - Green
	033980-06-000	EA	Cover Asm. - Double Bucket Seat - Bottom - Orange
	033980-05-000	EA	Cover Asm. - Double Bucket Seat - Bottom - Blue
	033903-01-000	EA	Armrest Asm. - Right - Oxen Tan Vinyl
	033904-01-000	EA	Armrest Asm. - Left - Oxen Tan Vinyl
	033905-01-000	EA	Headrest Asm. - Oxen Tan Vinyl

MATTRESSES

Key	Part Number	U/M	Description
	031503-20-000	EA	Mattress - Flexsteel Bunk - Front - 42" x 81 1/4" x 4" - Green
	031503-21-000	EA	Mattress - Flexsteel Bunk - Front - 42" x 81 1/4" x 4" - Orange
	031503-22-000	EA	Mattress - Flexsteel Bunk - Front - 42" x 81 1/4" x 4" - Blue
	031503-14-000	EA	Mattress - Flexsteel Bunk - Rear - 41" x 77" x 4" - Green
	031503-15-000	EA	Mattress - Flexsteel Bunk - Rear - 41" x 77" x 4" - Orange
	031503-16-000	EA	Mattress - Flexsteel Bunk - Rear - 41" x 77" x 4" - Blue
	031504-01-000	EA	Mattress - 38 1/4" x 84 1/4" x 2" - Ticking
	031512-03-000	EA	Mattress - 41" x 89" x 2" - 3 Fold - Ticking

PADS AND FABRICS

Key	Part Number	U/M	Description
	023486-03-000	EA	Pad - Dinette Frame - 74" x 37 1/4" - Oxen Tan
	023486-05-000	EA	Pad - Dinette Frame - 59" x 37 7/8" - Oxen Tan
	023631-01-000	EA	Button - Padded w/Nail - 1/2" - Oxen Tan
	037693-01-000	YD	Fabric - Upholstery - Green
	037693-02-000	YD	Fabric - Upholstery - Orange
	037693-03-000	YD	Fabric - Upholstery - Blue
	037694-01-000	YD	Fabric - Drapery (Over Drape) Green
	037694-02-000	YD	Fabric - Drapery (Over Drape) Orange
	037694-03-000	YD	Fabric - Drapery (Over Drape) Blue
	029248-01-000	YD	Fabric - Drapery - Phoenix I
	024918-03-000	YD	Fabric - Vinyl - Oxen Tan

**1975 WINNEBAGO
TABLE OF CONTENTS**

D25CUL	A-1 - B-10
D-19	B-11 - C-18
D-21	C-19 - E-4
D23	E-5 - F-16
D23L	F-17 - H-2
D25	H-3 - I-12

1975 D23 INDEX

Floor Plan	E-5 - E-6
Accessories Group	E-7 - E-8
Bath Group	E-9
Chassis Group	E-9 - E-10
Curtain, Cushion & Pad Group	E-11 - E-14
Dinette Group	E-15
Driver's Compartment Group	E-15 - E-16
Electrical Group	E-17 - E-18
Exterior Body Group	E-19 - E-22
Galley Group	E-23
Heating & Air Conditioning Group	E-24
Interior Finish Group	F-1 - F-2
LP Group	F-3
Lounge Group	F-3
Water & Sewage Group	F-4
Window, Vent & Exterior Door Group	F-5 - F-16

DINETTE GROUP

Key	Part Number	U/M	Description
	024274-11-700	EA	Table Asm. - Dinette w/o Hardware - Butcher Block
	047809-01-000	EA	Hardware Kit - Wall Mount - Dinette Table
	047842-01-000	EA	Hardware Kit - Table Leg - Dinette Table
	038436-01-000	EA	Cabinet Asm. - Dinette Seat - Right - Wormy Pecan
	038436-01-700	EA	Cabinet Asm. - Dinette Seat - Right - Maple
	038446-01-000	EA	Cabinet Asm. - Dinette Seat - Left - Wormy Pecan
	038446-01-700	EA	Cabinet Asm. - Dinette Seat - Left - Maple
	038440-01-700	EA	Cabinet Asm. - Dinette Overhead w/o Doors or Hardware - 71" - Wormy Pecan
	038440-01-701	ea	Cabinet Asm. - Dinette Overhead - w/o Doors or Hardware - 71" - Maple
	038440-01-702	EA	Door Asm. - Overhead Cabinet - 11 3/4" x 31 9/16" w/o Hardware - Wormy Pecan
	038440-01-703	ea	Door Asm. - Overhead Cabinet - 11 3/4" x 31 9/16" w/o Hardware - Maple

DRIVER'S COMPARTMENT GROUP

BUCKET SEAT PEDESTAL AND SEAT BELTS

Key	Part Number	U/M	Description
	041459-01-000	EA	Pedestal - Top - Single Seat
	041460-01-000	EA	Pedestal - Top - Double Seat
	041654-01-000	EA	Pedestal Base - Single and Double Seat - w/Tightener
	038832-01-000	EA	Rod - Seat Adjuster
	007223-01-000	EA	Adjuster Asm. - Seat w/Lock
	007227-01-000	EA	Adjuster Asm. - Seat w/o Lock
	007019-01-000	EA	Belt Asm. - Seat - 2" x 84" - Black
	007021-01-000	EA	Belt Asm. - Seat - 2" x 90" - Black
	007022-01-000	EA	Belt Asm. - Seat - 2" x 60" - Black
	023680-01-000	EA	Bracket - Seat Belt
	041322-01-000	EA	Washer - Flat - 15/32" I.D. x 2 3/8" O.D. - Seat Belt

DASH SWITCHES AND GAUGES

Key	Part Number	U/M	Description
	024466-01-000	EA	Switch - Rear Wiper
	024976-01-000	EA	Switch - Generator w/o Circuit Board
	024461-01-000	EA	Switch - Battery
	024463-01-000	EA	Switch - Blinker
	024464-01-000	EA	Switch - Washer
	024465-01-000	ea	Switch - Fuel
	024467-01-000	EA	Switch - Wiper
	024462-01-000	EA	Switch - Battery Condition
	037387-01-000	EA	Switch - Generator w/Circuit Board
	024907-01-000	EA	Control Asm. - Heater - A/C - 3 Spced
	031376-02-000	EA	Control Asm. - Heater - 2 - Speed
	024459-01-000	EA	Gauge - Voltmeter
	024460-01-000	EA	Gauge - Vacuum
	031373-01-000	EA	Gauge - Aux. Fuel
	031035-01-000	EA	Gauge - Hourmeter

DRIVER'S COMPARTMENT GROUP (CONTINUED)

DASH PANEL AND COMPONENTS

Key	Part Number	U/M	Description
	031622-02-000	EA	Dash Asm. - Complete w/Gauge and Switches
	022219-01-000	EA	Door - Glove Compartment
	009118-01-000	EA	Lock - Twist w/Nut
	023892-01-000	ea	Box - Glove Compartment - Black Fiberboard
	009066-01-000	EA	Hinge - Continuous - Alum. 1 1/8" x 72" - Plain
	034309-11-000	EA	Chain - Bead - Glove Box Door
	023834-01-000	EA	Panel - Knee Kick (Bottom of Dash)
	024418-01-000	EA	Lamp Asm. - Map/Gauge
	007308-01-000	EA	Clock - Dash
	007037-01-000	EA	Lighter Asm. - Cigarette - 12 Volt
	007041-01-000	EA	Bezel - Cigarette Lighter
	023599-01-000	EA	Bezel - Entertainment Center - All Options
	024979-01-000	EA	Bezel - Entertainment Center - Lighter Only
	024760-01-000	EA	Bezel - Entertainment Center - Lighter, Clock, Radio and Fader
	007071-01-000	EA	Louver - Chrome - w/Chrome Wheel
	024990-01-000	EA	Outlet - Defroster - w/Swivel - 2" Tan
	024906-01-000	EA	Diffuser Case - Air Conditioning - 2 1/2" Black
	023020-01-000	EA	Lamp Asm. - Tell Tale
	031385-01-000	EA	Applique - Dash - Indian
	039044-01-000	EA	Louver Asm. - A/C Adjustable
	022548-02-000	EA	Pad - Dash - Foam - Right - Oxen Tan
	023242-02-000	EA	Pad - Dash - Foam - Left - Oxen Tan

FRONT OVERHEAD BUNK CABINET

Key	Part Number	U/M	Description
	031471-02-700	EA	Cabinet Asm. - Front Overhead - Wormy Pecan
	031471-02-701	EA	Cabinet Asm. - Front Overhead - Maple
	031471-02-702	EA	Door - Sliding - Front Overhead - Wormy Pecan
	031471-02-703	EA	Door - Sliding - Front Overhead - Maple
	009148-01-000	EA	Finger Pull - Sliding Door
	009785-01-000	FT	Track - Sliding Door - Upper - Plastic
	009786-01-000	FT	Track - Sliding Door - Lower - Plastic

MISCELLANEOUS DRIVER'S COMPARTMENT COMPONENTS

Key	Part Number	U/M	Description
	034800-01-000	EA	Cover - Motor - Plastic
	020763-01-000	EA	Seal - Motor Cover
	035368-01-000	EA	Seal - Motor Cover - Aluminum
	035022-01-000	FT	Tape - Weather Strip - 3/8" x 3/8" Butyl
	039857-01-000	EA	Latch - Rubber - Draw Handle - 5 3/4" w/Strike
	038856-01-000	EA	Latch - Rubber - Draw Handle - 3" w/Strike
	033860-01-000	EA	Cable - Fresh Air - Bowden - 52"
	009143-01-000	EA	Mirror - Inside - 3 1/2" x 8"
	031003-02-000	EA	Side Panel - Oxen Tan - Left - Plastic
	031004-02-000	EA	Side Panel - Oxen Tan - Right - Plastic
	022758-02-000	EA	Sunvisor Asm. - Right - Oxen Tan
	022759-02-000	EA	Sunvisor Asm. - Left - Oxen Tan
	041842-01-000	EA	Clip - Sunvisor

1975 WINNEBAGO TABLE OF CONTENTS

D25CUL	A-1 - B-10
D-19	B-11 - C-18
D-21	C-19 - E-4
D23	E-5 - F-16
D23L	F-17 - H-2
D25	H-3 - I-12

1975 D23 INDEX

Floor Plan	E-5 - E-6
Accessories Group	E-7 - E-8
Bath Group	E-9
Chassis Group	E-9 - E-10
Curtain, Cushion & Pad Group	E-11 - E-14
Dinette Group	E-15
Driver's Compartment Group	E-15 - E-16
Electrical Group	E-17 - E-18
Exterior Body Group	E-19 - E-22
Galley Group	E-23
Heating & Air Conditioning Group	E-24
Interior Finish Group	F-1 - F-2
LP Group	F-3
Lounge Group	F-4
Water & Sewage Group	F-4
Window, Vent & Exterior Door Group	F-5 - F-16

ELECTRICAL GROUP

BULBS

Key	Part Number	U/M	Description
	037935-01-000	EA	Bulb - 1157
	038010-01-000	EA	Bulb - 1143
	008103-01-000	EA	bulb - 53
	008214-01-000	EA	Bulb - 67
	008215-01-000	EA	Bulb - 1003
	008216-01-000	EA	Bulb - 1034
	008217-01-000	EA	Bulb - 1071
	008218-01-000	EA	Bulb - 1141
	008219-01-000	EA	Bulb - 656
	008220-01-000	EA	Bulb - 12 Volt - 25 Watt
	036196-01-000	EA	Bulb - 194
	700020-01-000	EA	Bulb - 12 Volt - 20 Watt 1363
	008213-01-000	EA	Bulb - 57

EXTERIOR LIGHTS

Key	Part Number	U/M	Description
	008089-01-000	EA	Light - Porch - Recessed
	039866-01-000	EA	Clearance Light Round - Amber - Kit
	039865-01-000	EA	Clearance Light Round - Red - Kit
	033562-01-000	EA	Light - Clearance - Amber - Oval - 2 Bulb w/Ground
	033748-01-000	EA	Light - Clearance - Amber - Oval - 1 Bulb w/Ground
	033748-02-000	EA	Light - Clearance - Red - Oval - 1 Bulb w/Ground
	031054-01-000	EA	Lamp Asm. - Tail - Left - White
	031055-01-000	EA	Lamp Asm. - Tail - Right - White
	031054-01-701	EA	Lens - Taillamp - Left
	031055-01-700	EA	Lens - Taillamp - Right

INTERIOR LIGHTS

Key	Part Number	U/M	Description
	007309-01-000	EA	Light - Step Well
	024473-01-000	EA	Light - Aircraft - 1 Bulb - Gold
	033506-01-000	EA	Light - Dome - 1 Bulb
	033509-01-000	EA	Light - Dome - 2 Bulb
	024642-01-701	EA	Lens - Dome Light - 1 Bulb
	024643-01-701	EA	Lens - Dome Light - 2 Bulb
	039858-01-000	EA	Lighter - w/Nite Light & Wall Plate

WINDSHIELD WIPER AND WASHER

Key	Part Number	U/M	Description
	037998-01-000	EA	Link Asm. - Connecting 12.40"
	037999-01-000	EA	Motor Asm. - Windshield Wiper
	038001-01-000	EA	Shaft and Pivot Asm. - 2.25" Arm
	037997-01-000	EA	Arm - Windshield Wiper - 15"
	049464-01-000	EA	Blade - Windshield Wiper - 16"
	007029-01-000	EA	Washer Asm. - Windshield Power Jet Electric - Front
	700073-05-000	EA	Pump and Cover Asm. - Windshield Washer
	700073-02-000	EA	Washer Nozzle Hardware Package - Front

ELECTRICAL GROUP (CONTINUED)

FUSES AND CIRCUIT BREAKERS

Key	Part Number	U/M	Description
	008233-01-000	EA	Fuse - 12 Volt - 6 Amp.
	008234-01-000	EA	Fuse - 12 Volt - 10 Amp.
	008235-01-000	EA	Fuse - 12 Volt - 15 Amp.
	008236-01-000	EA	Fuse - 12 Volt - 20 Amp.
	008248-01-000	EA	Fuse - 12 Volt - 30 Amp.
	008278-01-000	EA	Fuse - 12 Volt - 9 Amp.
	008251-01-000	EA	Fuse Holder - Black - Screw Type
	008212-01-000	EA	Circuit Breaker - 12 Volt - 5 Amp.
	008205-01-000	EA	Circuit Breaker - 12 Volt - 40 Amp.
	033573-01-000	EA	Circuit Breaker - 12 Volt - 20 Amp.
	008268-01-000	EA	Circuit Breaker - 12 Volt - 30 Amp.
	033482-01-000	EA	Circuit Breaker - 12 Volt - 15 Amp.
	008275-01-000	EA	Safety Block - Circuit Breaker

WIRE, SWITCHES AND RECEPTACLES

Key	Part Number	U/M	Description
	009024-01-000	FT	Wire - 18.5 Bonded - Orange/White/Yellow/Blue/Brown
	008025-01-000	FT	Wire - 18.5 Bonded - Orange/White/Yellow/Blue/Green
	008028-01-000	FT	Wire - 18.5 Bonded - Blue/Red/Yellow/Orange/White
	008032-01-000	FT	Wire - 18.4 Bonded
	008195-01-000	EA	Switch - Push Button - 12 Volt
	006077-01-000	EA	Plaque - Compressor Switch
	008054-01-000	EA	Cord - Power - 10-3 30 Amp 25' - UL
	008058-01-000	EA	Adaptor - Power Cord
	024924-01-000	EA	Receptacle - Power Cord w/Plate
	008157-01-000	EA	Receptacle - Duplex - Brown
	047351-01-000	EA	Receptacle - Ground Fault Interrupter - 125 Volt - Black
	024571-01-000	EA	Cover Plate - Receptacle - Jumbo Steel - Brown
	008162-01-000	EA	Switch - Double Toggle - Spade Brown
	008163-01-000	EA	Switch - Toggle - Brown
	008164-01-000	EA	Cover Plate - Switch - Single Plastic - Brown

MISCELLANEOUS ELECTRICAL COMPONENTS

Key	Part Number	U/M	Description
	039859-01-000	EA	Lighter - w/Night Light and Wall Plate
	046775-01-000	EA	Valve Asm. - Fuel Change Over
	008188-01-000	EA	Solenoid - Dual Battery - Relay
	047389-01-000	EA	Battery - 12 Volt - 105 Amp. Deep Cycle - Dry
	047338-01-000	EA	Isolator - Dual Battery
	024417-01-000	EA	Panel - Control - Water/Double Sewage - Wemac
	011024-01-000	EA	Sending Unit - Water Tank - 5 Wire
	039861-01-000	EA	Sending Unit Kit - Wemac
	008256-01-000	EA	Convertor - 30 Amp. - Phillips

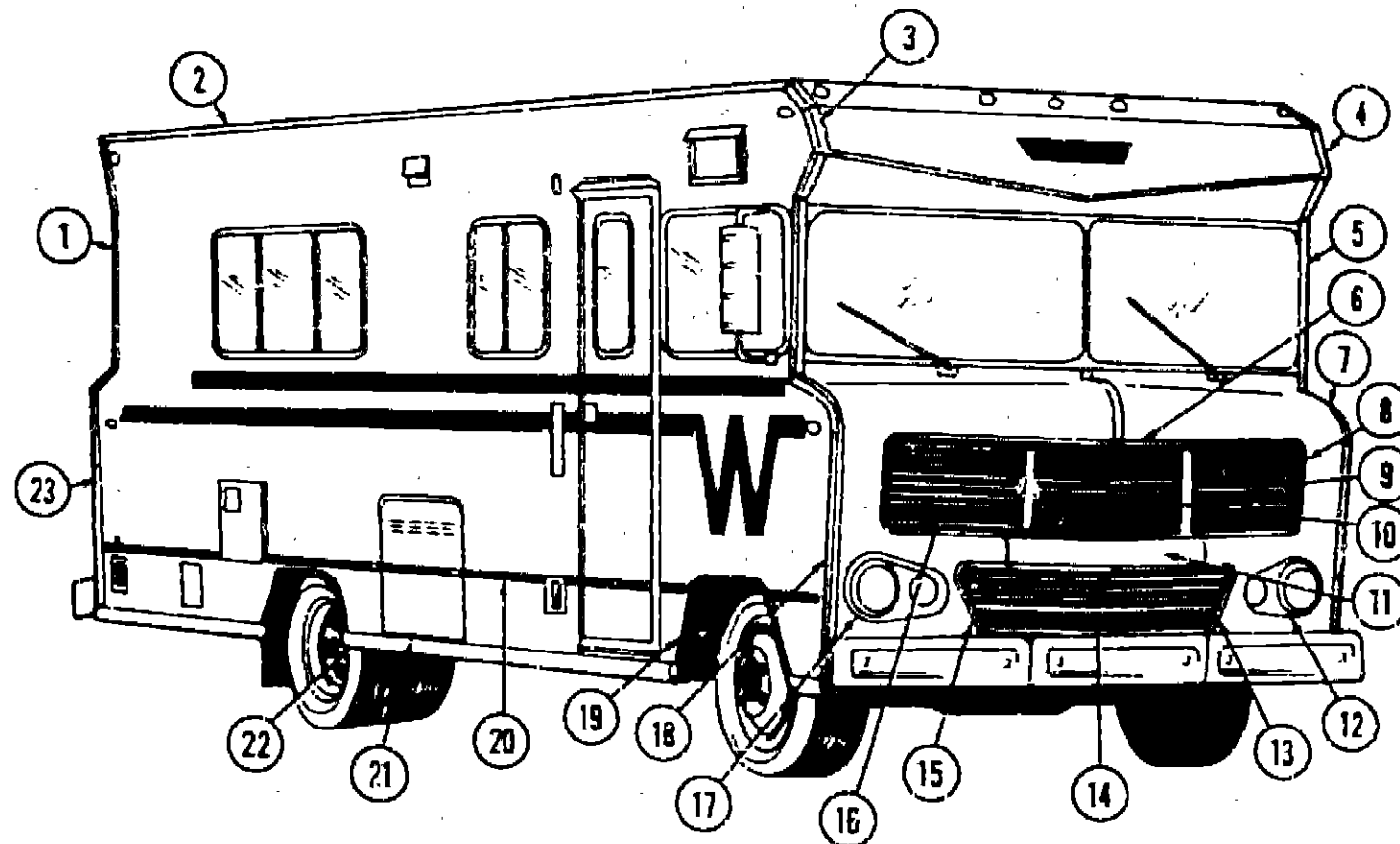
1975 WINNEBAGO TABLE OF CONTENTS

D25CUL	A-1 - B-10
D-19	B-11 - C-18
D-21	C-19 - E-4
D23	E-5 - F-15
D23L	F-17 - H-2
D25	H-3 - I-12

1975 D23 INDEX

Floor Plan	E-5 - E-6
Accessories Group	E-7 - E-8
Bath Group	E-9
Chassis Group	E-9 - E-10
Curtain, Cushion & Pad Group	E-11 - E-14
Dinette Group	E-15
Driver's Compartment Group	E-15 - E-16
Electrical Group	E-17 - E-18
Exterior Body Group	E-19 - E-22
Galley Group	E-23
Heating & Air Conditioning Group	E-24
Interior Finish Group	F-1 - F-2
LP Group	F-3
Lounge Group	F-3
Water & Sewage Group	F-4
Window, Vent & Exterior Door Group	F-5 - F-16

EXTERIOR BODY GROUP



1975 WINNEBAGO TABLE OF CONTENTS

D25CUL
D-19
D-21
D23
D23L
D25

A-1 - B-10
B-11 - C-18
C-19 - E-4
E-5 - F-16
F-17 - H-2
H-3 - I-12

Key	Part Number	U/V	Description
1	021213-02-000	EA	Trim - Contour - Right Rear - Upper - Off White
2	020965-02-000	EA	Trim - Contour - Left Rear - Upper - Off White
3	009717-02-002	EA	Extr. - Awning Rail - 19'
4	020400-03-000	EA	Trim - Contour - Right Front - Upper - Off White
5	020399-03-000	EA	Trim - Contour - Left Front - Upper - Off White
6	017748-03-000	EA	Frame Asm. - Windshield w/o Glass
7	024764-02-000	EA	Trim - Upper Grille - Top or Bottom
8	020522-03-000	EA	Trim - Contour - Lower Front - Left - Off White
9	024763-02-000	EA	Trim - Upper Grille - Side - Left or Right
10	033365-01-000	EA	Grille Asm. - Upper Left
11	033366-01-000	EA	Grille Asm. - Upper Center
12	020818-03-000	EA	Hood Asm. - Center - Off White
13	023671-06-000	EA	Bezel - Headlight - Left - Off White - Plastic
14	024748-02-000	EA	Trim - Lower Grille - Left Side
15	033368-01-000	EA	Grille Asm. - Lower
16	024748-01-000	EA	Trim - Lower Grill - Right Side
17	040876-01-000	EA	Grille Asm. - Upper - Right
18	023671-05-000	EA	Bezel - Headlight - Right - Off White - Plastic

Key	Part Number	U/M	Description
18	020521-03-000	EA	Trim - Contour - Lower Front - Right - Off White
19	024427-02-000	EA	Trim - Wheel Well - Front - Left or Right
20	002444-02-003	EA	Extr. - Anod. - Feature Strip - 16'
	001031-01-003	EA	Insert - Feature Strip - Black Alum. - 21'
	009731-01-000	EA	Cap - Sidewall Trim - Feature Strip End
21	002773-02-001	EA	Extr. - Anod. - U-Channel - Ribbed - 1 3/4" x 16'
22	013834-02-000	EA	Trim - Wheel Well - Rear - Left or Right
23	015251-03-000	EA	Trim - Contour - Lower - Right Rear - Off White
	015252-03-000	EA	Trim - Contour - Lower - Left Rear - Off White
	024585-01-000	EA	Stop Asm. - Grille Door
	021497-01-000	EA	Latch Asm. - Grille
	024582-03-000	EA	Trim - Roof - Front Center - Off White
	020797-02-000	EA	Trim - Grille - 35.56"
	024767-02-000	EA	Trim - Grille - Lower - 19.68"
	023707-05-000	EA	Panel Asm. - Hoodboard - Right - Off White
	023707-06-000	EA	Panel Asm. - Hoodboard - Left - Off White
	002776-02-001	EA	Extr. - Anod. - U-Channel - Serrated - 1 3/4" x 16'
	002754-02-001	EA	Extr. - Anod. - Angle - 3/4" x 3/4" x 18'
	002365-02-001	EA	Extr. - Anod. - U-Channel - 1" Serrated - 18'
	Not Illustrated		

1975 D23 INDEX

Floor Plan	E-5 - E-6
Accessories Group	E-7 - E-8
Bath Group	E-9
Chassis Group	E-9 - E-10
Curtain, Cushion & Pad Group	E-11 - E-14
Dinette Group	E-15
Driver's Compartment Group	E-15 - E-16
Electrical Group	E-17 - E-18
Exterior Body Group	E-19 - E-22
Galley Group	E-23
Heating & Air Conditioning Group	E-24
Interior Finish Group	F-1 - F-2
LP Group	F-3
Lounge Group	F-3
Water & Sewage Group	F-4
Window, Vent & Exterior Door Group	F-5 - F-16

EXTERIOR BODY GROUP (CONTINUED)

EXTERIOR BODY PANELS AND SHEET ALUMINUM

Key	Part Number	U/M	Description
	039155-03-008	EA	Aluminum - Off White .024" x 36" x 60"
	039155-03-002	EA	Aluminum - Off White - .024" x 36" x 300"
	039155-03-003	EA	Aluminum - Off White .024" x 36" x 360"
	039155-03-007	EA	Aluminum - Off White - .024" x 48" x 60"
	039155-03-005	EA	Aluminum - Off White - .024" x 48" x 300"
	039155-03-006	EA	Aluminum - Off White - .024" x 48" x 360"
	039155-07-010	EA	Aluminum - Off White - Greyhound - 48" x 96"
	001054-01-011	EA	Aluminum - Off White - No Design - 48" x 96"
	044487-01-001	EA	Plain Roof Metal 96" x 360"
	000668-01-000	BF	Styrofoam - 3/4" x 24" x 96"
	000870-01-000	BF	Styrofoam - 1 1/2" x 24" x 96"
	038725-01-000	EA	Back Wall Assmby - Wormy Pecan
	038724-01-000	EA	Roof Assmebly
	038724-01-70C	EA	Roof Section - Windshield to First Seam
	038668-01-000	EA	Side Wall Assembly - Right - Wormy Pecan
	038646-01-000	EA	Side Wall Assembly - Left - Wormy Pecan
	038646-01-700	EA	Side Wall Assembly - Left - Maple
	038668-01-700	EA	Side Wall Assembly - Right - Maple
	038725-01-700	EA	Back Wall Assembly - Maple

EXTERIOR PAINT

Key	Part Number	U/M	Description
	041561-01-000	EA	Paint - Off White - Acrylic Enamel - 1 Gallon
	041561-03-000	EA	Paint - Off White - Acrylic Enamel - 16 oz. - Aerosol
	041561-04-000	EA	Paint - Off White - Acrylic Lacquer - 1 Gallon
	041562-01-000	EA	Paint - Grass Green - Acrylic Enamel - 1 Gallon
	041562-03-000	EA	Paint - Grass Green - Acrylic Enamel - 16 oz. - Aerosol
	043476-01-000	EA	Paint - Lime Metallic - Acrylic Enamel - 1 Gallon
	043476-03-000	EA	Paint - Lime Metallic - Acrylic Enamel - 16 oz. - Aerosol

LABELS AND DECALS

Key	Part Number	U/M	Description
	006001-01-000	EA	Name Plate - Plastic - Winnebago - Chrome
	006010-03-000	EA	Decal - Winnebago - Green/Chrome
	006023-01-000	EA	Label - Water Only
	006025-01-000	EA	Label - Gas
	006031-01-000	EA	Label - Potable Water Only
	006040-01-000	EA	Tag - Gas Refueling Warning
	006187-01-000	EA	Label - Sewage
	006188-01-000	EA	Label - Waste Water
	006199-01-000	EA	Label - Exit - Escape Hatch
	006208-01-000	EA	Stencil - Indian - Left
	006209-01-000	EA	Stencil - Indian - Right
	006029-01-000	EA	Label - Drain Cap - 2" x 3"
	008092-01-000	EA	Reflector - Stick On - Rectangular - Red
	008093-01-000	EA	Reflector - Stick On - Rectangular - Amber

EXTERIOR BODY GROUP (CONTINUED)

SEALANTS, ADHESIVES AND FASTENERS

Key	Part Number	U/M	Description
	034552-05-000	EA	Sealant - Off White Silicone
	034552-04-000	EA	Sealant - Beige Silicone
	034552-02-000	EA	Sealant - Clear Silicone
	004348-02-000	EA	Sealant - Aluminum Silicone
	004349-01-000	EA	Sealant - Black Silicone
	004342-01-000	EA	Sealant - Weatherban 202 Tube
	004345-02-000	EA	Sealant - White Silicone
	002316-01-000	FT	Sealer Tape - 3/32" x 3/8" - White
	024545-01-000	FT	Sealer Tape - 1/8" x 5/8" - Black
	004350-01-000	FT	Sealer Tape - 1/8" x 1" - Formaseal
	004352-01-000	FT	Sealer Tape - 1/8" x 3/4" - Formaseal
	004355-01-000	FT	Sealer Tape - 1/8" x 5/8" - Black
	004357-01-000	FT	Sealer Tape - 1/8" x 5/8" - Adhesive
	002707-02-000	FT	Sealer Tape - 5/16" x 1/2"
	002707-01-000	FT	Sealer Tape - 5/16" x 3/4" - Black Foam
	004363-01-000	FT	Sealer Tape - 3/6" x 1/2" - Foam
	004362-01-000	FT	Sealer Tape - 1/8" x 5/8" - Foam
	009200-01-000	EA	Tape - Furnace - 1 1/2"
	041839-01-000	FT	Tape - Window Latch - 3/4" - Adhesive
	041839-02-000	FT	Tape - Window Latch - 1/2" - Adhesive
	004353-01-000	FT	Tape - Gasket - 1/8" x 3/4" - White
	002825-01-000	FT	Weather Stripping - Roof Vent
	002337-01-000	EA	Adhesive - 3M - 1300 Tube
	004005-01-000	GL	Adhesive - Swifts - Green Glue (Sidewalls)
	004012-01-000	EA	Adhesive - 3M - 4475 Tube
	004020-01-000	QT	Adhesive ABS Cement (Plastic Fittings)
	029051-01-000	EA	Adhesive - Spray Vinyl
	042401-01-000	EA	Screw - 8-18 x 3/4" SDPH - Beige
	005081-01-000	EA	Screw - Wood - 12-11 x 3" P.O.H. - Zinc

MISCELLANEOUS EXTERNALLY MOUNTED PARTS

Key	Part Number	U/M	Description
	016253-05-000	EA	Fuel Fill - Recessed - Single - Off White
	022620-03-000	EA	Water Fill - Recessed - White
	031554-02-000	EA	Handle - Assisi - Recessed - Green
	011129-01-000	EA	Plumbing Seal - Roof - White 1 1/2"
	011124-01-000	EA	Plumbing Seal - Roof - White 1 1/4"
	022400-01-000	EA	Mirror - O/S - w/Convex - Stainless Steel
	700023-04-000	EA	Mirror - Convex - 6" x 4"

1975 WINNEBAGO TABLE OF CONTENTS

D25CUL	A-1 - E-10
D-19	B-11 - C-18
D-21	C-19 - E-1
D23	E-5 - F-16
D23L	F-17 - H-2
D25	H-3 - I-12

1975 D23 INDEX

Floor Plan	E-5 - E-6
Accessories Group	E-7 - E-8
Bath Group	E-9
Chassis Group	E-9 - E-10
Curtain, Cushion & Pad Group	E-11 - E-14
Dinette Group	E-15
Driver's Compartment Group	E-15 - E-16
Electrical Group	E-17 - E-18
Exterior Body Group	E-19 - E-22
Galley Group	E-23
Heating & Air Conditioning Group	E-24
Interior Finish Group	F-1 - F-2
LP Group	F-3
Lounge Group	F-3
Water & Sewage Group	F-4
Window, Vent & Exterior Door Group	F-5 - F-16

GALLEY GROUP

Key	Part Number	U/M	Description
	038439-01-700	EA	Cabinet Asm. - Galley w/o Countertop, Drawers, Doors or Hardware - Wormy Pecan
	038439-01-701	EA	Cabinet Asm. - Galley w/o Countertop, Drawers, Doors or Hardware - Maple
	038439-01-702	EA	Countertop Asm. - Galley Cabinet w/Cutouts - Butcher Block
	038439-01-703	EA	Door Asm. - Galley Cabinet - 10 1/2" x 25 7/8" w/o Hardware - Wormy Pecan
	038439-01-704	EA	Door Asm. - Galley Cabinet - 10 1/2" x 25 7/8" w/o Hardware - Maple
	038439-01-705	EA	Drawer Asm. - Galley Cabinet - 8 1/2" x 20 1/4" w/o Hardware - Wormy Pecan
	038439-01-706	EA	Drawer Asm. - Galley Cabinet - 8 1/2" x 20 1/4" w/o Hardware - Maple
	038439-01-707	EA	Drawer Asm. - Galley Cabinet - 5 1/4" x 14 1/8" w/o Hardware - Wormy Pecan
	038439-01-708	EA	Drawer Asm. - Galley Cabinet - 5 1/4" x 14 1/8" w/o Hardware - Maple
	038435-01-700	EA	Cabinet Asm. - Galley Overhead w/o Doors or Hardware - Wormy Pecan
	038435-01-701	EA	Cabinet Asm. - Galley Overhead w/o Doors or Hardware - Maple
	038435-01-702	EA	Door Asm. - Overhead Cabinet - 19 3/4" x 11 3/4" w/o Hardware - Wormy Pecan
	038435-01-703	EA	Door Asm. - Overhead Cabinet - 19 3/4" x 11 3/4" w/o Hardware - Maple
**	034542-01-000	EA	Refrigerator - Winnebago - Two Door - W6EG
**	034544-01-000	EA	Refrigerator - Winnebago - Two Door - W7EG
**	034545-01-000	EA	Refrigerator - Winnebago - One Door - W6EG
**	003335-01-000	EA	Refrigerator - Dometic - One Door - RM66
**	003337-01-000	EA	Refrigerator - Dometic - Two Door - RM76
**	003016-01-000	EA	Range - Coleman Eyelevel - 2209C
**	046747-01-000	EA	Range - Coleman Eyelevel - 2209F
**	024669-01-000	EA	Hood - Range - Eyelevel Oven - Strawsine
**	024669-01-700	EA	Filter - Range Hood - Eyelevel Oven - Strawsine
**	031648-01-000	EA	Range - Coleman - 3 Burner - 2225
**	031649-01-000	EA	Range - Coleman - 3 Burner - 2227
	Not Illustrated		

**The illustrated parts breakdown for this item is provided on the Common Items Fiche.

HEATING AND AIR CONDITIONING GROUP

Key	Part Number	U/M	Description
	033922-01-000	EA	Evaporator - Air Conditioner
	033932-01-000	EA	Valve - Expansion
	033938-01-000	EA	Core - Heater
	035459-01-701	EA	Blower Asm. - 3 Speed w/Motor
	033926-01-000	EA	Cold Control
	035459-01-704	EA	Resistor - Evans Heater
	048217-01-000	EA	Switch - Fan - 3 Speed Evans
	033933-01-000	EA	Compressor - Auto Air - Evans
	033855-01-000	EA	Condenser - Radiator Mount - Evans
	033854-01-000	EA	Receiver Drier
	033934-01-000	EA	Clutch - Compressor - Evans
	048229-01-000	EA	Kit - Auto Air - 440 - Evans
	048227-01-000	EA	Kit - Auto Air - 313 - Evans
**	003135-01-000	EA	Furnace - Coleman - 23,000 BTU - 4023
**	003136-01-000	EA	Furnace - Coleman - 28,000 BTU - 4028
**	003140-01-000	EA	Furnace - Coleman - 30,000 BTU - 4030
**	041603-01-000	EA	Furnace - Coleman - 23,000 BTU - 4225
**	041604-01-000	EA	Furnace - Coleman - 28,000 BTU - 4230
**	041605-01-000	EA	Furnace - Coleman - 31,000 BTU - 4235
**	003179-01-000	EA	Furnace - Suburban - 16,000 BTU - NT16
**	034014-01-000	EA	Furnace - Lear Siegler - 32,000 BTU - SRF32
**	003126-01-000	EA	Air Conditioner Asm. - Roof Mount - 10,000 BTU Mach I - Coleman w/o Inside Shroud
**	031880-01-000	EA	Air Conditioner Asm. - Roof Mount - 13,500 BTU Mach III - Coleman w/o Inside Shroud
**	049777-01-000	EA	Air Conditioner - Roof Mount - Ivory - 11,000 BTU Coleman - w/o Inside Shroud
**	049774-01-000	EA	Air Conditioner - Roof Mount - Ivory - 13,500 BTU Coleman - w/o Inside Shroud
**	041738-01-000	EA	Shroud Asm. - Air Conditioner - Inside Ceiling Cool Only - Mach I or Mach III
**	049778-01-000	EA	Shroud Asm. - Air Conditioner - Inside Ceiling Cool Only - 11,000 BTU - Ivory
**	049775-01-000	EA	Shroud Asm. - Air Conditioner - Inside Ceiling Cool Only - 13,500 BTU - Ivory
**	049776-01-000	EA	Shroud Asm. - Air Conditioner - Inside Ceiling Heat and Cool - 13,500 BTU - Ivory

**The illustrated parts breakdown for this item is provided on the Common Items Fiche.

1975 WINNEBAGO TABLE OF CONTENTS

D25CUL	A-1 - B-10
D-19	B-11 - C-18
D-21	C-19 - E-4
D23	E-5 - F-16
D23L	F-17 - H-2
D25	H-3 - I-12

1975 D23 INDEX

Floor Plan	E-5 - E-6
Accessories Group	E-7 - E-8
Bath Group	E-9
Chassis Group	E-9 - E-10
Curtain, Cushion & Pad Group	E-11 - E-14
Dinette Group	E-15
Driver's Compartment Group	E-15 - E-16
Electrical Group	E-17 - E-18
Exterior Body Group	E-19 - E-22
Galley Group	E-23
Heating & Air Conditioning Group	E-24
Interior Finish Group	F-1 - F-2
LP Group	F-3
Lounge Group	F-3
Water & Sewage Group	F-4
Window, Vent & Exterior Door Group	F-5 - F-16

INTERIOR FINISH GROUP

PANELING AND COUNTERTOP MATERIALS

Key	Part Number	U/M	Description
	024951-01-000	SF	Panel - Bath Wall - White
	000722-01-000	SF	Veneer - Wormy Pecan - 48" x 96" (32SF)
	024942-03-000	SF	Veneer - Maple - 48" x 96" (32SF)
	000720-02-000	SF	Veneer - White Stucco
	000724-01-000	EA	Batt Strip - White Stucco
	037682-01-000	SF	Plastic Laminate - 48" x 96" - Butcher Block
	033204-01-000	SF	Plastic Laminate - 48" x 96" - Antique Leather
	009914-06-000	FT	T-Molding - Butcher Block

FABRICS AND CARPET

Key	Part Number	U/M	Description
	037693-01-000	YD	Fabric - Upholstery - Green
	037693-02-000	YD	Fabric - Upholstery - Orange
	037693-03-000	YD	Fabric - Upholstery - Blue
	037694-01-000	YD	Fabric - Drapery - Outer - Green
	037694-02-000	YD	Fabric - Drapery - Outer - Orange
	037694-03-000	YD	Fabric - Drapery - Outer - Blue
	029248-01-000	YD	Fabric - Drapery - Ppoenix
	024918-02-000	YD	Vinyl - Nonperforated - Oxen Tan
	024918-03-000	YD	Vinyl - Nonsupported - Oxen Tan
	024913-01-000	SY	Carpet - Summer Sun - (Blue Interior)
	024913-02-000	SY	Carpet - Spring Mint (Green Interior)
	024913-03-000	SY	Carpet - Autumn Leaves - (Orange Interior)

INTERIOR MOLDINGS AND TRIMS

Key	Part Number	U/M	Description
	009779-01-000	FT	U-Channel - 1 1/8" - Brown - Plastic
	009778-01-000	FT	U-Channel - 1" - Brown - Plastic
	009780-01-000	FT	U-Channel - 1 1/4" - Brown - Plastic
	009720-01-000	EA	Cover - Roll Bar - White - 85.44"
	023221-01-000	EA	Corner Cover - Rollbar
	034113-02-000	EA	Corner Cover - Support Bar - Brown
	024700-02-000	EA	Cover - Sidewall - Rollbar - 152 Maple
	022756-01-000	EA	Cover - A/C - Plastic
	022755-01-000	EA	Cover - Control - Panel - Plastic
	034682-01-000	EA	Cover - Screw - 10 PPH - Plastic - White
	009812-01-000	FT	Molding - Plastic Corner - o.s. - .50"
	009767-01-000	FT	Welting - Brown
	009761-01-000	FT	Molding - Plastic Corner - o.s. - .62" x .62" - Brown
	031004-02-000	EA	Quarter Panel Asm. - Front Right - Plastic
	031003-02-000	EA	Quarter Panel Asm. - Front Left - Plastic

INTERIOR FINISH GROUP (CONTINUED)

CURTAIN HARDWARE

Key	Part Number	U/M	Description
	052327-04-236	EA	Curtain Track - Alum. - Brown - 89" w/Holes
	009107-01-000	EA	Guide - Nylon - Snap - Curtain
	042439-01-000	EA	Bracket - Left or Right - Curtain Rod - Single
	049897-01-000	EA	Rod - Curtain - Flat - Extension 25" - 45"
	037872-01-000	EA	Rod - Curtain - Double Flat Extension 48" - 84"
	037872-02-000	EA	Bracket - Curtain Rod - Double Flat Extension
	049597-02-000	EA	Rod - Curtain - Flat Extension 48" - 66"
	009702-01-000	EA	End Stop - Curtain - L-Rod w/Rollers
	009701-01-000	EA	Carrier - w/Rollers - L-Rod
	018031-42-000	EA	Track - Curtain - L-Rod - Aluminum 90"
	020430-01-000	EA	Track - Curtain - Left Front - Wraparound
	021495-01-000	EA	Track - Curtain - Right Front - Wraparound

CABINETS AND TABLE HARDWARE

Key	Part Number	U/M	Description
	009016-01-000	EA	Latch - Cabinet - Overhead
	043118-01-000	EA	Latch - Cabinet - Kit
	043116-01-000	EA	Pull - Drawer - Medieval Brass - Kit
	043117-01-000	EA	Hinge - 3/8" - Insert - Century - Kit
	009047-01-000	EA	Holder - Door - Overhead
	009150-01-000	EA	Warp Guard - 54"
	009112-01-000	EA	Flange - 1" Rod Chrome
	047642-01-000	EA	Kit Dinette - Table Leg
	047809-01-000	EA	Kit Dinette - Table Hardware - Wall Mount

MISCELLANEOUS PARTS

Key	Part Number	U/M	Description
	041944-01-700	EA	Extinguisher - Fire - w/Bracket - Dry Chemical
	005098-01-000	EA	Mirror - Inside - 1/8" x 9" x 16" - Beveled
	003096-01-000	EA	Mirror - Inside - 1/8" x 12" x 42" - Beveled
	009089-01-000	EA	Clip - Mirror - Plastic - w/Screw
	007019-01-000	EA	Belt Assembly - Seat - 2" x 84" - Black
	007022-01-000	EA	Belt Assembly - Seat - 2" x 60" - Black
	023680-01-000	EA	Bracket - Seat Belt
	041322-01-000	EA	Washer - Flat - 15/32" I.D. x 2 3/8" O.D. - Seat Belt

1975 WINNEBAGO TABLE OF CONTENTS

D25CUL	A-1 - B-10
D-19	B-11 - C-18
D-21	C-19 - E-4
D23	E-5 - F-16
D23L	F-17 - H-2
D25	H-3 - I-12

1975 D23 INDEX

Floor Plan	E-5 - E-6
Accessories Group	E-7 - E-8
Bath Group	E-9
Chassis Group	E-9 - E-10
Curtain, Cushion & Pad Group	E-11 - E-14
Dinette Group	E-15
Driver's Compartment Group	E-15 - E-16
Electrical Group	E-17 - E-18
Exterior Body Group	E-19 - E-22
Galley Group	E-23
Heating & Air Conditioning Group	E-24
Interior Finish Group	F-1 - F-2
LP Group	F-3
Lounge Group	F-3
Water & Sewage Group	F-4
Window, Vent & Exterior Door Group	F-5 - F-16

LP GROUP

Key	Part Number	U/M	Description
	008800-01-000	EA	Tank - LP - 20 Lb. - Vertical
	008814-01-000	EA	Regulator - LP - Manual
	008815-01-000	EA	Regulator - LP - Automatic
	015569-01-000	EA	Strap - LP Bottle - 38 3/16"
	008820-01-000	EA	Hose Assembly - LP - 1/4" I.D. x 16"
	045703-01-000	EA	Hose Assembly - LP - 3/8" I.D. x 24"
	015253-01-000	EA	Compartment - LP - 40 Lb. - Black Plastic

WATER AND SEWAGE GROUP

Key	Part Number	U/M	Description
	016724-01-000	EA	Water Tank - 25 Gallon - Galvanized
	038364-01-000	EA	Tank - Holding - Main
	021489-01-000	EA	Tank - Holding - Auxiliary
	005050-01-000	EA	Purification System - Water Everpure
	005050-02-000	EA	Cartridge - Replacement
	023833-01-000	EA	Air Compressor - 12 Volt
	011924-01-000	EA	Sending Unit - Water Tank - 5 Wire
	010210-01-000	EA	Valve - Sanitary - Thetford 3HB
	010234-01-000	EA	Adapter - Bayonet
	010235-01-000	EA	Cap - Sewage - 3"
	010236-01-000	EA	Adaptor - Hose - 3"
	046524-01-000	EA	Kit - Fittings - Plastic - Holding Tanks
	011065-01-000	EA	P-Trap - Plastic - 1 1/4"
	011091-01-000	EA	Waste - Continuous Double Sink - 11 7/8"
	011005-01-000	EA	Spout - Water Fill - w/Gauge
	004020-01-000	OT	Adhesive - ABS Cement
	010201-01-000	EA	House - Sewer - 3" x 10' w/Clamp
	010209-02-000	EA	Handle - Extension - Sewer Valve - 9.5"
**	051391-01-000	EA	Water Heater - Atwood Bowen - G6A2
**	031992-01-000	EA	Water Heater - Atwood Bowen - GH6

**The illustrated parts breakdown for this item is provided on the Common Items Fiche.

1975 WINNEBAGO TABLE OF CONTENTS

D25CUL	A-1 - B-10
D-19	B-11 - C-18
D-21	C-19 - E-4
D23	E-5 - F-16
D23L	F-17 - H-2
D25	H-3 - I-12

LOUNGE GROUP

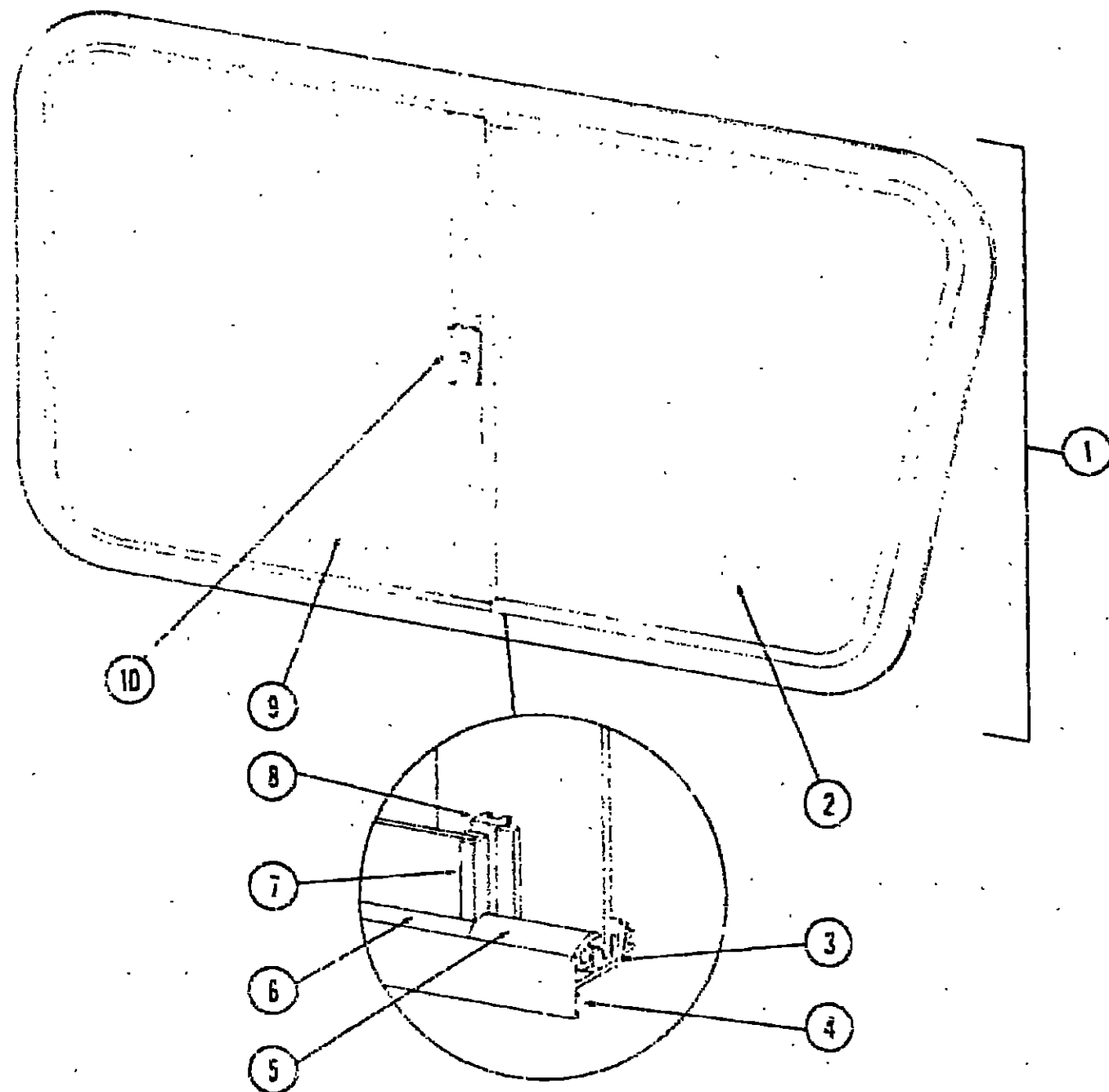
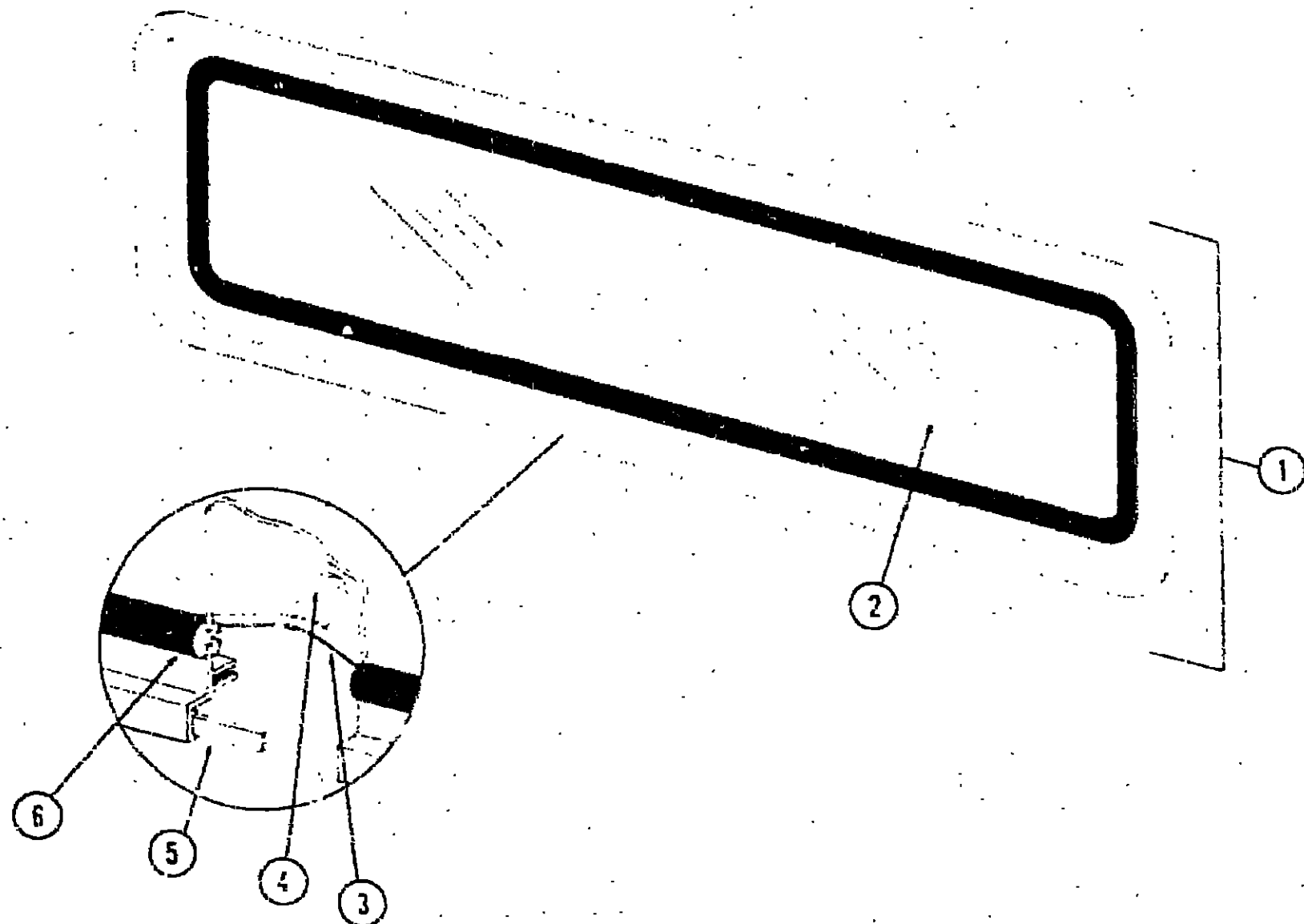
Key	Part Number	U/M	Description
	038447-01-000	EA	Cabinet Asm. - Gaucho - 78" - Wormy Pecan
	038447-01-700	EA	Cabinet Asm. - Gaucho - 78" - Maple
	038447-02-000	EA	Cabinet Asm. - Gaucho - 89" - Wormy Pecan
	038447-02-700	EA	Cabinet Asm. - Gaucho - 89" - Maple
	038444-01-700	EA	Cabinet Asm. - Hamper w/o Doors or Hardware - Wormy Pecan
	038444-01-701	EA	Cabinet Asm. - Hamper w/o Doors or Hardware - Maple
	038444-01-702	EA	Door Asm. - Hamper Cabinet - 7 1/4" x 20 1/4" w/o Hardware - Wormy Pecan
	038444-01-703	EA	Door Asm. - Hamper Cabinet - 7 1/4" x 20 1/4" w/o Hardware - Maple
	038727-01-700	EA	Cabinet Asm. - Rear Overhead w/o Doors or Hardware - Wormy Pecan
	038727-01-701	EA	Cabinet Asm. - Rear Overhead w/o Doors or Hardware - Maple
	038727-01-702	EA	Door Asm. - Overhead Cabinet - 25 3/4" x 11 3/4" w/o Hardware - Wormy Pecan
	038727-01-703	EA	Door Asm. - Overhead Cabinet - 25 3/4" x 11 3/4" w/o Hardware - Maple
	038441-01-700	EA	Door Asm. - Wardrobe Cabinet - 48 1/2" x 12 3/4" w/o Hardware - Wormy Pecan
	038441-01-701	EA	Door Asm. - Wardrobe Cabinet - 48 1/2" x 12 3/4" w/o Hardware - Maple

1975 D23 INDEX

Floor Plan	E-5 - E-6
Accessories Group	E-7 - E-8
Bath Group	E-9
Chassis Group	E-9 - E-10
Curtain, Cushion & Pad Group	E-11 - E-14
Dinette Group	E-15
Driver's Compartment Group	E-15 - E-16
Electrical Group	E-17 - E-18
Exterior Body Group	E-19 - E-22
Galley Group	E-23
Heating & Air Conditioning Group	E-24
Interior Finish Group	F-1 - F-2
LP Group	F-3
Lounge Group	F-3
Water & Sewage Group	F-4
Window, Vent & Exterior Door Group	F-5 - F-16

WINDOW, VENT AND EXTERIOR DOOR GROUP

WINDOW, VENT AND EXTERIOR DOOR GROUP (CONTINUED)



**1975 WINNEBAGO
TABLE OF CONTENTS**

D25CUL	A-1 - B-10
D-19	B-11 - C-13
D-21	C-19 - E-4
D23	E-5 - F-16
D23L	F-17 - H-2
D25	H-3 - I-12

Key	Part Number	U/M	Description
1	020754-01-000	EA	Window Asm. - Escape - 23" x 68" - w/o Inside Frame
2	002178-01-000	EA	Glass - 1/8" x 19.61" x 64.80"
3	002285-01-000	FT	Weatherstrip - Filler - Black
4	020395-01-000	EA	Slip Ring - Pull
5	004353-01-000	FT	Tape - Foam - 3/16" x 1/2" - Gray
6	002282-01-000	FT	Weatherstrip - Window - .125" - Black
	020753-02-000	EA	Frame - Escape Window - Inside - 23" x 68" (not included in window assembly)
	008199-01-000	EA	Label - Exit - Escape Window
	020765-01-000	EA	Tab - Pull
			Not Illustrated

Key	Part Number	U/M	Description
1	038363-01-000	EA	Window Asm. - Slanted Slider - Rear - Right w/o Inside Frame
	038363-02-000	EA	Window Asm. - Slanted Slider - Rear - Left w/o Inside Frame
2	036090-01-000	EA	Glass - 1-8" x 22" x 20.529" - Sliding
3	002324-01-000	FT	Channel - Weatherstrip - Glass Run
4	004353-01-000	FT	Tape - Foam - 3/16" x 1/2" - Gray
5	002283-01-000	FT	Seal - Window - Channel
6	002305-01-000	FT	Spline - Glass - 1/8" - Gray
7	018025-01-000	EA	Seal - Holder - Glass
8	018014-02-000	EA	Mullion - Slider Window
9	035091-01-000	EA	Glass - 1-8" x 22" x 22.03" - Stationary
10	023275-01-000	EA	Latch Asm. - Aluminum
	023713-01-000	EA	Cover - Weeohole - White - Plastic
	041839-01-000	FT	Tape - Foam - Aluminum Window Latch
	002296-01-000	FT	Spline - Screen - 130" Dia. - Gray
	002293-01-000	SF	Screen - Window - 25" - Gray
	017755-05-000	EA	Frame - Inside - Rear Slanted Slider - Right
	017755-06-000	EA	Frame - Inside - Rear Slanted Slider - Left
			Not Illustrated

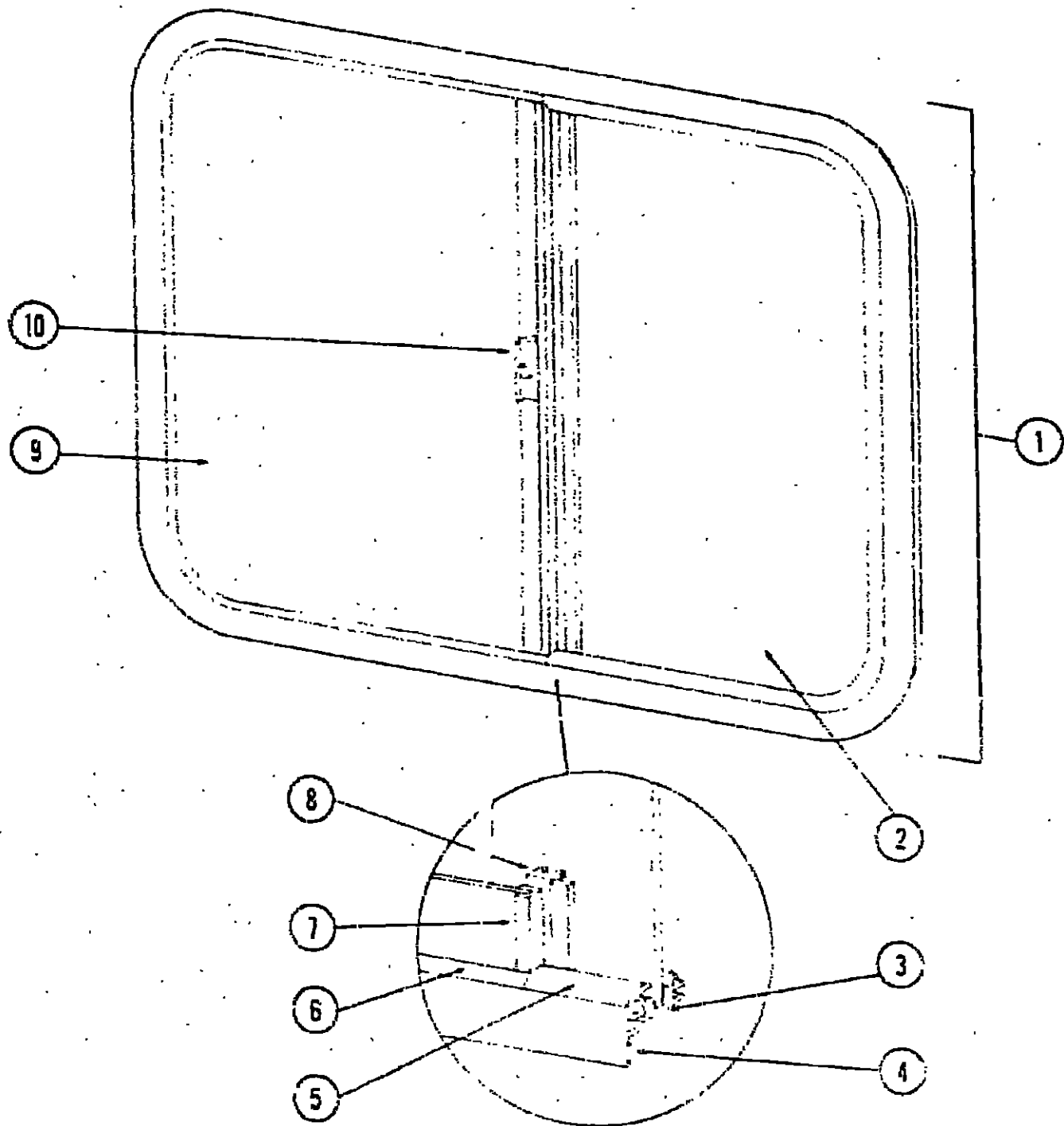
1975 D23 INDEX

Floor Plan	E-5 - E-6
Accessories Group	E-7 - E-8
Bath Group	E-9
Chassis Group	E-9 - E-10
Curtain, Cushion & Pad Group	E-11 - E-14
Dinette Group	E-15
Driver's Compartment Group	E-15 - E-16
Electrical Group	E-17 - E-18
Exterior Body Group	E-19 - E-22
Galley Group	E-23
Heating & Air Conditioning Group	E-24
Interior Finish Group	F-1 - F-2
LP Group	F-3
Lounge Group	F-3
Water & Sewage Group	F-4
Window, Vent & Exterior Door Group	F-5 - F-16

WINDOW, VENT AND EXTERIOR DOOR GROUP (CONTINUED)

WINDOW, VENT AND EXTERIOR DOOR GROUP (CONTINUED)

Key	Part Number	U/M	Description
1	048631-07-000	EA	Window Assembly - Right Single Slider - 23" x 29" - w/Plastic Latch w/o Inside Frame (Requires Z Style Inside Frame)
2	047813-01-000	EA	Glass - Sliding - 1/8" x 22" x 13.68" w/Holes (Used w/Plastic Latch)
	002186-01-000	EA	Glass - Sliding - 1/8" x 22" x 13.68" w/o Holes (Used w/Aluminum Latch)
3	002324-01-000	FT	Channel - Weatherstrip - Glass Run - 1/8" Glass
4	004363-01-000	FT	Tape - Foam - 3/16" x 1/2" - Gray
5	024096-01-000	FT	Seal - Window Channel - Gray (Used in Window w/Z Style Inside Frame)
	002283-01-000	FT	Seal - Window Channel (Used in Window w/T Style Inside Frame)
6	002309-01-000	FT	Spline - Glass - 1/8" - Gray
7	018025-01-000	EA	Holder - Glass Seal - 23" - Clear Anod
8	041894-01-000	EA	Mullion - Slider Window - 23" - Clear Anod. (Used in Window w/Z Style Inside Frame)
	018014-01-000	EA	Mullion - Slider Window - 22" (Used in Window w/T Style Inside Frame)
9	002184-01-000	EA	Glass - TP - Stationary
10	047369-01-700	EA	Latch - Window - Plastic w/Fastener
	023275-01-000	EA	Latch - Window - Aluminum
	041839-01-000	FT	Tape - Foam - Aluminum Window Latch
	002298-01-000	FT	Spline - Screen - .130" Diameter - Gray
	002293-01-000	SF	Screen - Window - 26" - Gray
	023713-01-000	EA	Cover - Wheephole - White Plastic
	042147-01-000	EA	Frame - Window - Inside - 23" x 29" (Z Style)
	018027-01-000	EA	Frame - Window - Inside - 23" x 29" (T Style)
			Not Illustrated



**1975 WINNEBAGO
TABLE OF CONTENTS**

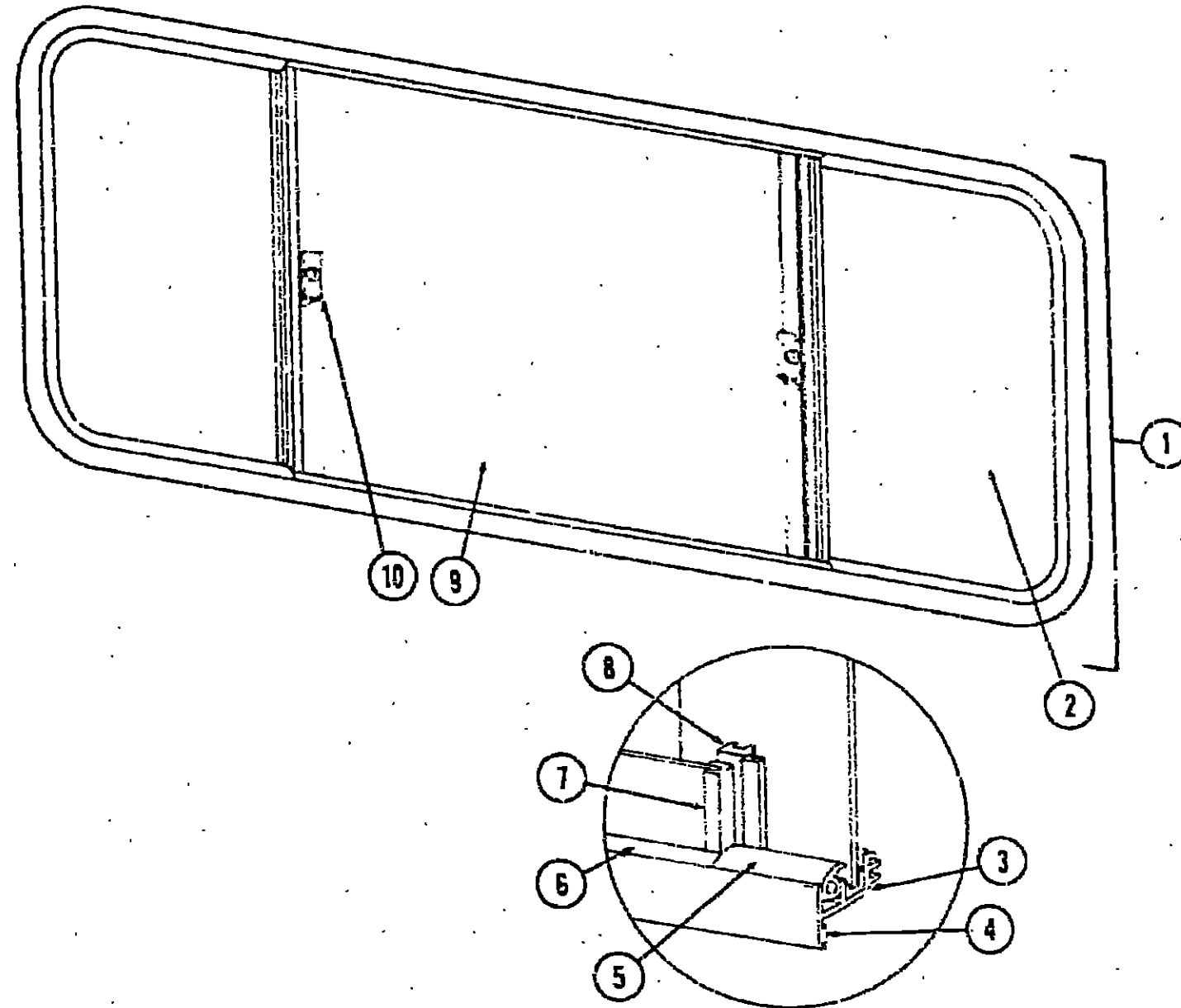
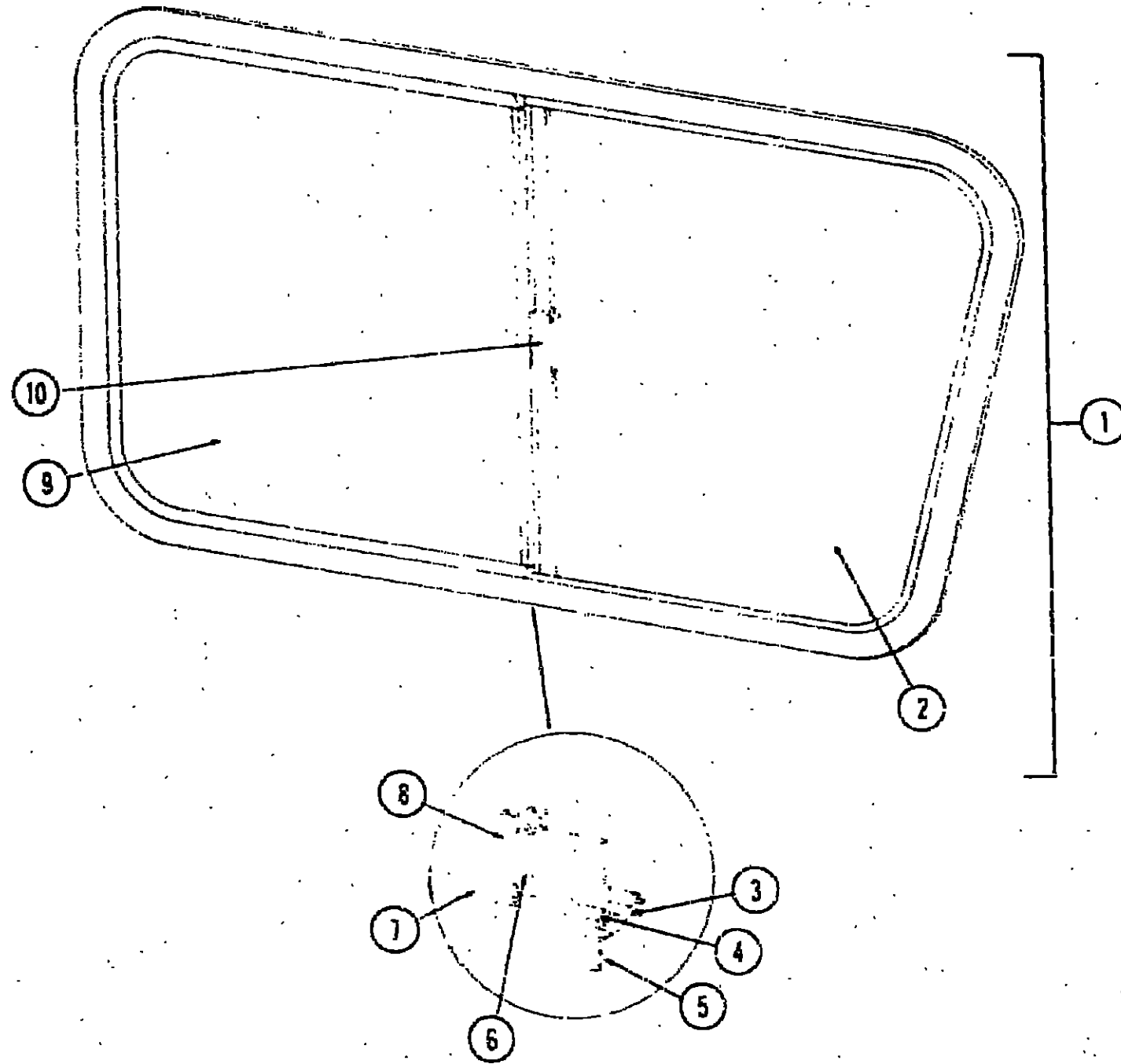
D25CUL	A-1 - B-10
D-19	B-11 - C-18
D-21	C-19 - E-4
D23	E-5 - F-16
D23L	F-17 - H-2
D25	H-3 - I-12

1975 D23 INDEX

Floor Plan	E-5 - E-6
Accessories Group	E-7 - E-8
Bath Group	E-9
Chassis Group	E-9 - E-10
Curtain, Cushion & Pad Group	E-11 - E-14
Dinette Group	E-15
Driver's Compartment Group	E-15 - E-16
Electrical Group	E-17 - E-18
Exterior Body Group	E-19 - E-22
Galley Group	E-23
Heating & Air Conditioning Group	E-24
Interior Finish Group	F-1 - F-2
LP Group	F-3
Lounge Group	F-3
Water & Sewage Group	F-4
Window, Vent & Exterior Door Group	F-5 - F-16

WINDOW, VENT AND EXTERIOR DOOR GROUP (CONTINUED)

WINDOW, VENT AND EXTERIOR DOOR GROUP (CONTINUED)



Key	Part Number	U/M	Description
1	017703-01-000	EA	Window Asm. - Radius - Right Slanted Slider w/o Inside Frame
	017754-01-000	EA	Window Asm. - Radius - Left Slanted Slider w/o Inside Frame
2	002189-01-000	EA	Glass - 1/8" x 22" x 23.559" - Sliding
3	002324-01-000	FT	Channel - Weatherstrip - Glass Run - 1/8" Glass
4	024095-01-000	FT	Seal - Window Channel - Gray
5	004363-01-000	FT	Tape - Foam - 3/16" x 1/2" - Gray
6	018025-01-000	EA	Holder - Glass Seal
7	002309-01-000	FT	Spline - Glass - 1/8" - Gray
8	041894-01-000	EA	Mullion - Slider Window - 23"
9	002160-01-000	EA	Glass - 1/8" x 22" x 19.051"
10	023275-01-000	EA	Latch Asm. - Window - Alum.
	017755-01-000	EA	Frame - Inside - Front Slanted Slider - Right
	017755-02-000	EA	Frame - Inside - Front Slanted Slider - Left
	020934-01-000	EA	Screen Asm - Slider
	023713-01-000	EA	Cover - Weephole - Plastic - White
			Not Illustrated

Key	Part Number	U/M	Description
1	048630-03-000	EA	Window Assembly - Double Slider - 23" x 65" - w/Plastic Latch - w/o inside Frame (Requires Z Style Inside Frame)
2	047823-01-000	EA	Glass - 1/8" x 22" x 21.03" - Sliding w/Holes (Used w/Plastic Latch)
	002197-01-000	EA	Glass - 1/8" x 22" x 21.028" - Sliding w/Holes (Used w/Aluminum Latch)
3	002324-01-000	FT	Channel - Weatherstrip - Glass Run - 1/8" Glass
4	004363-01-000	FT	Tape - Foam - 3/16" x 1/2" - Gray
5	024095-01-000	FT	Spline - Glass (Used in Windows w/Z Style Inside Frame)
	002283-01-000	FT	Seal - Window Channel (Used in Window w/T Style Inside Frame)
6	002309-01-000	FT	Spline - Glass - 1/8" - Gray
7	018025-01-000	EA	Holder - Glass Seal - 23"
8	041894-01-000	EA	Mullion - Slider Window - 23" - (Used in Window w/Z Style Inside Frame)
	018014-01-000	EA	Mullion - Slider Window - 23" - (Used in Window w/T Style Inside Frame)
9	002188-01-000	EA	Glass - 1/8" x 22" x 22.50" - Stationary
10	047369-01-700	EA	Latch - Win-Jow Plastic w/Fastener
	023275-01-000	EA	Latch - Window - Aluminum
	041835-01-000	FT	Tape - Foam - Aluminum Window Latch
	002298-01-000	FT	Spline - Screen - .130" Diameter - Gray
	002293-01-000	SF	Screen - Window - 26" - Gray
	023713-02-000	EA	Cover - Weephole - White Plastic
	042133-02-000	EA	Frame - Window - Inside - 23" x 65" (Z Style)
	018016-01-000	EA	Frame - Window - Inside - 23" x 65" (T Style)
			Not Illustrated

**1975 WINNEBAGO
TABLE OF CONTENTS**

D25CUL
D-19
D-21
D23
D23L
D25

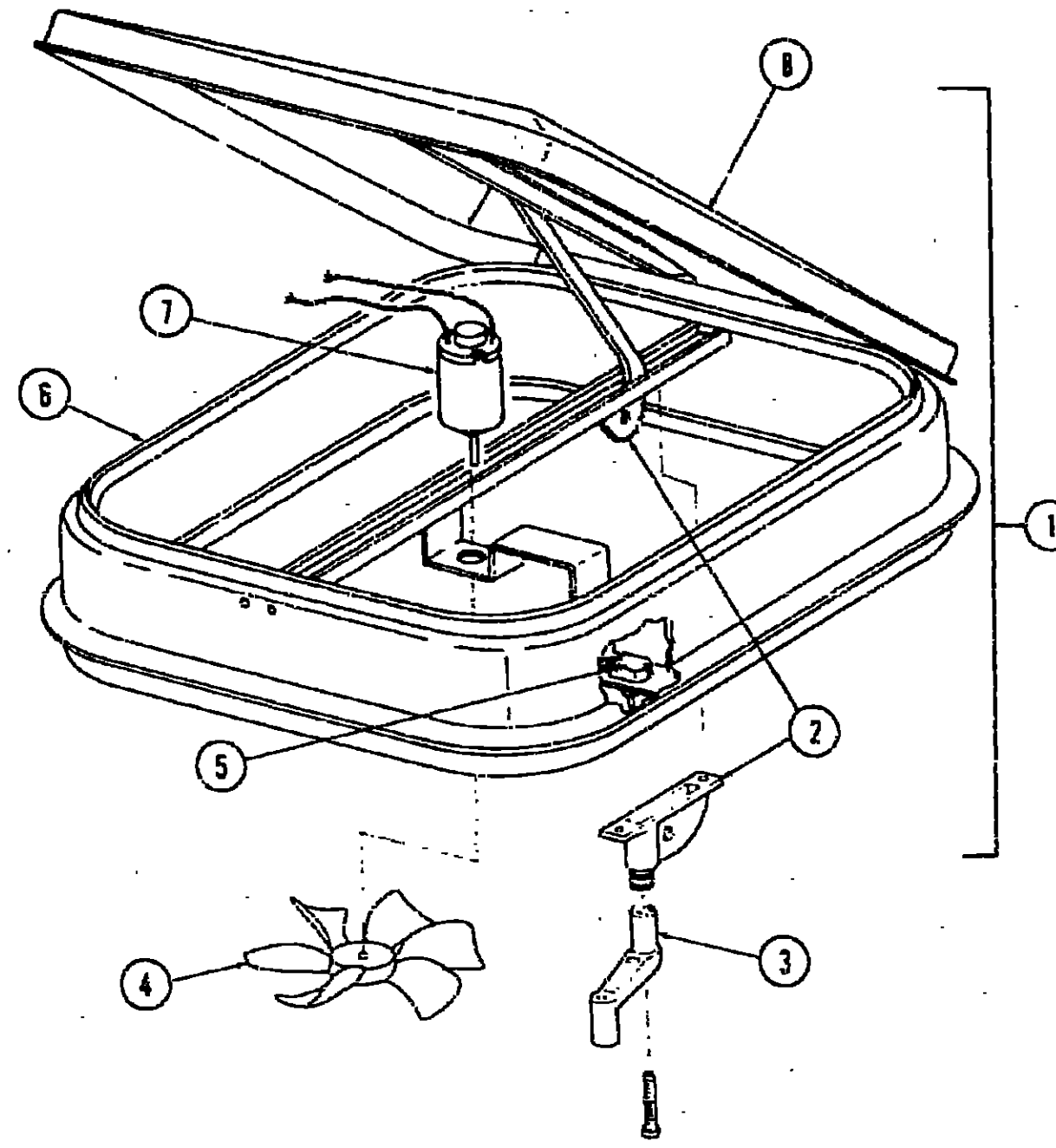
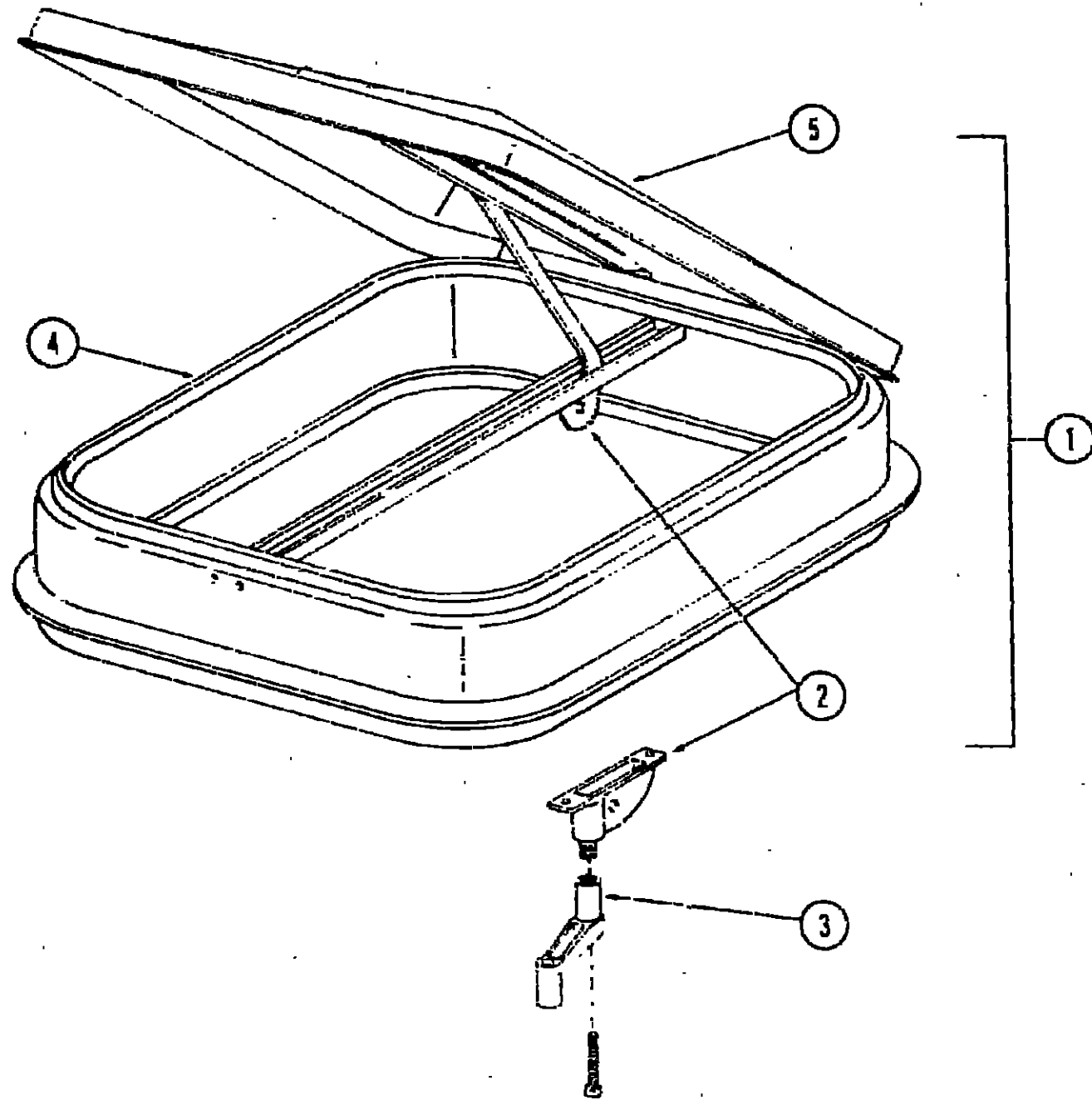
A-1 - B-10
B-11 - C-18
C-19 - E-4
E-5 - F-16
F-17 - H-2
H-3 - I-12

1975 D23 INDEX

Floor Plan	E-5 - E-6
Accessories Group	E-7 - E-8
Bath Group	E-9
Chassis Group	E-9 - E-10
Curtain, Cushion & Pad Group	E-11 - E-14
Dinette Group	E-15
Driver's Compartment Group	E-15 - E-16
Electrical Group	E-17 - E-18
Exterior Body Group	E-19 - E-22
Galley Group	E-23
Heating & Air Conditioning Group	E-24
Interior Finish Group	F-1 - F-2
LP Group	F-3
Lounge Group	F-3
Water & Sewage Group	F-4
Window, Vent & Exterior Door Group	F-5 - F-16

WINDOW, VENT AND EXTERIOR DOOR GROUP (CONTINUED)

WINDOW, VENT AND EXTERIOR DOOR GROUP (CONTINUED)



Key	Part Number	U/M	Description
1	046835-01-000	EA	Vent Asm. - Roof - Nonpowered - w/o Screen
2	009440-01-000	EA	Gear - Arm - Roof Vent
3	009439-01-000	EA	Crank - Roof Vent
4	002825-01-000	FT	Weatherstrip - Roof Vent
5	046825-01-000	EA	Cover - Plastic - Roof Vent
	016335-01-000	EA	Screen Asm. - Nonpowered Roof Vent - Clear Anod (not included in assembly)
	016335-03-000	EA	Screen Asm. - Nonpowered Roof Vent - Beige (not included in assembly)
			Not Illustrated

Key	Part Number	U/M	Description
1	048790-01-000	EA	Vent Asm. - Roof - Powered - w/o Screen
2	009440-01-000	EA	Gear - Arm - Roof Vent
3	009439-01-000	EA	Crank - Roof Vent
4	048549-01-000	EA	Fan - Blade - 6" - Plastic
	009442-01-000	EA	Fan - Blade - Alum.
5	003195-01-000	EA	Switch - Push Button - 12 Volt
6	002825-01-000	FT	Weatherstrip - Roof Vent
7	048648-01-000	EA	Motor - 12 Volt (Vent w/Plastic Fan)
	009441-01-000	EA	Motor - 12 Volt (Vent w/Alum. Fan)
8	046825-01-000	EA	Cover - Plastic - Roof Vent (Vent w/Plastic Fan)
	016336-01-000	EA	Cover - Plastic - Roof Vent (Vent w/Alum. Fan)
	048695-01-000	EA	Screen Asm. - Powered Roof Vent - Clear Anod. - Vent w/Plastic Fan (not included in assembly)
	016337-01-000	EA	Screen Asm. - Powered Roof Vent - Clear Anod. - Vent w/Alum Fan (not included in assembly)
			Not Illustrated

**1975 WINNEBAGO
TABLE OF CONTENTS**

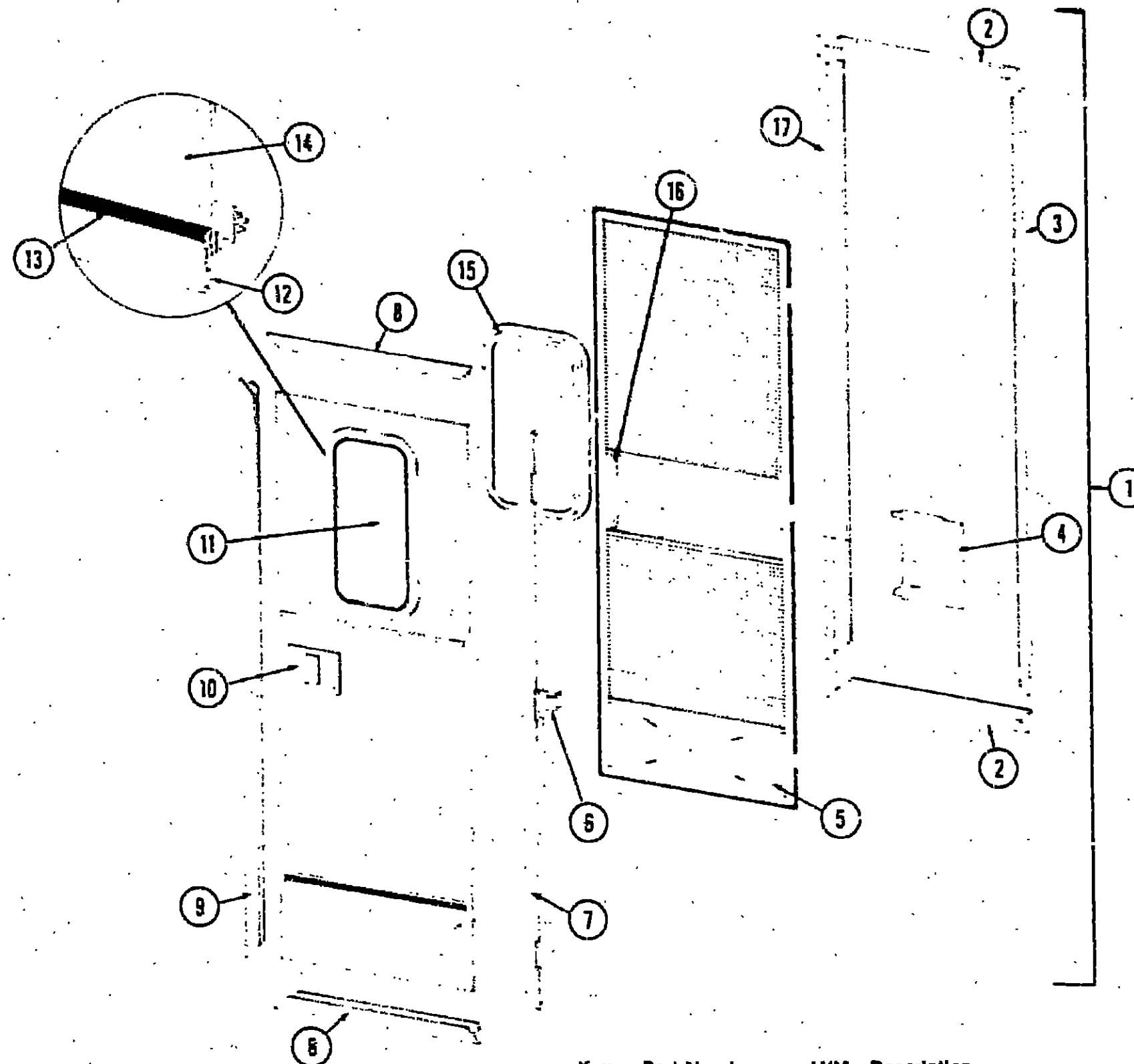
D25CUL
D-19
D-21
D23
D23L
D25

A-1 - B-10
B-11 - C-18
C-19 - E-4
E-5 - F-16
F-17 - H-2
H-3 - I-12

1975 D23 INDEX

Floor Plan	E-5 - E-6
Accessories Group	E-7 - E-8
Bath Group	E-9
Chassis Group	E-9 - E-10
Curtain, Cushion & Pad Group	E-11 - E-14
Dinette Group	E-15
Driver's Compartment Group	E-15 - E-16
Electrical Group	E-17 - E-18
Exterior Body Group	E-19 - E-22
Galley Group	E-23
Heating & Air Conditioning Group	E-24
Interior Finish Group	F-1 - F-2
LP Group	F-3
Lounge Group	F-3
Water & Sewage Group	F-4
Window, Vent & Exterior Door Group	F-5 - F-16

WINDOW, VENT AND EXTERIOR DOOR GROUP (CONTINUED)



Key	Part Number	U/M	Description
1	037925-01-000	EA	Door Assembly - Entrance w/Screen - Wormy Pecan
	037925-01-700	EA	Door Asm. - Entrance w/Screen - Maple
2	023013-02-000	EA	Jamb - Entry Door - Upper and Lower
3	02302-02-000	EA	Jamb - Entry Door - Right
4	015580-01-000	EA	Slider - Screen Door - Plastic
5	016874-01-000	EA	Door Assembly - Screen - 26" x 73"
6	024650-01-000	EA	Hinge - Entry Door - Screen Door
7	017376-02-000	EA	Frame - Entry Door - Right
8	017378-02-000	EA	Frame - Entry Door - Upper and Lower
9	017377-02-000	EA	Frame - Entry Door - Left
10	024094-01-000	EA	Latch - Entry Door - Hartwell
11	041875-01-000	EA	Window Assembly - Anodized - Radius Picture - 13" x 23" - w/o Inside Frame - Requires Z Style Inside Frame
12	004363-01-000	FT	Tape - Foam - 3/16" x 1/2" - Gray

Key	Part Number	U/M	Description
13	002309-01-000	FT	Spline - Glass - 1/8" - Gray
14	002181-01-000	EA	Glass - Picture - 1/8" x 12" x 22" - Gray
15	041696-02-000	EA	Frame - Window Inside - 13" x 23"
	017753-01-000	EA	Frame - Window Inside - 13" x 23"
			Not Included w/Window Assembly - T Style
			Not Included w/Window Assembly - Z Style
16	015581-01-000	EA	Cap - Screen Door - Plastic
17	023011-02-000	EA	Jamb - Entry Door - Left
	002702-01-000	FT	Weatherstrip - Bulb T - Vinyl
	002703-01-000	FT	Weatherstrip - Bulb L - Vinyl
	002712-01-000	EA	Hinge Pin - Upper
	002718-01-000	EA	Hinge Pin - Lower
	002002-01-000	EA	Drip Cap - 31" - Aluminum
	009011-01-000	EA	Lock - Deadbolt - 2 3/4"
F-13	039863-01-000	EA	Catch Assembly - Single Roller w/Strike - Screen Door
	009016-01-000	EA	Catch - Elbow - Spring Loaded - Screen Door
			Not Illustrated

**1975 WINNEBAGO
TABLE OF CONTENTS**

D25CUL	A-1 - B-10
D-19	B-11 - C-18
D-21	C-19 - E-4
D23	E-5 - F-16
D23L	F-17 - H-2
D25	H-3 - I-12

1975 D23 INDEX

Floor Plan	E-5 - E-6
Accessories Group	E-7 - E-8
Bath Group	E-9
Chassis Group	E-9 - F-10
Curtain, Cushion & Pad Group	E-11 - E-14
Dinette Group	E-15
Driver's Compartment Group	E-15 - E-16
Electrical Group	E-17 - E-18
Exterior Body Group	E-19 - E-22
Galley Group	E-23
Heating & Air Conditioning Group	E-24
Interior Finish Group	F-1 - F-2
LP Group	F-3
Lounge Group	F-3
Water & Sewage Group	F-4
Window, Vent & Exterior Door Group	F-5 - F-16

WINDOW, VENT AND EXTERIOR DOOR GROUP (CONTINUED)

BUNK WINDOWS

Key	Part Number	U/M	Description
	002054-01-000	EA	Window - 8 1/2" x 17 7/8" - Bunk - Right - Hehr
	002056-01-000	EA	Window - 8 1/2" x 17 7/8" - Bunk - Left - Hehr

WINDSHIELD

Key	Part Number	U/M	Description
	002192-01-000	EA	Glass - Windshield - 1/4" x 21" x 44.23" - Left or Right
	017748-03-000	EA	Frame - Windshield w/o Glass
	024677-01-000	FT	Weather Strip
	024678-01-000	FT	Filler Strip

VENTS

Key	Part Number	U/M	Description
	009407-01-000	EA	Vent Asm. - Base - Refrigerator Vent - w/o Cover
	039778-01-000	EA	Cover - Plastic - Refrigerator Vent
	003213-04-000	EA	Vent - Stovehood - Outside - w/o Damper - Strawsine
	039880-01-000	EA	Vent - Escape Hatch - 26" x 26" w/Trim - Hehr

ACCESS DOORS

Key	Part Number	U/M	Description
	003182-03-000	EA	Door - Water Heater - Off White
	016088-02-000	EA	Door Assembly - 9" x 10" - Off White
	016633-06-000	EA	Door Assembly - Refrigerator - Off White
	033333-09-000	EA	Door Assembly - Battery
	047305-01-000	EA	Lock Assembly - Key Type w/Clip
	039884-01-000	EA	Lock Assembly - Twist Type w/Clip
	009009-01-000	EA	Lock - T Handle - Bent Cam
	016945-02-000	EA	Holder Assembly - Battery and Luggage Door
	031007-06-000	EA	Door Assembly - Generator - Off White
	007067-01-000	SF	Insulation - Fiberglass - 1"
	009065-01-000	EA	Hinge - Continuous Aluminum - 1 1/2" x 96" - Plain
	031022-02-000	EA	Door Assembly - LP - Off White
	015099-04-000	EA	Door Assembly - Trunk

1975 WINNEBAGO TABLE OF CONTENTS

D25CUL	A-1 - B-10
D-19	B-11 - C-18
D-21	C-19 - E-4
D23	E-5 - F-16
D23L	F-17 - H-2
D25	H-3 - I-12

1975 D23 INDEX

Floor Plan	E-5 - E-6
Accessories Group	E-7 - E-8
Bath Group	E-9
Chassis Group	E-9 - E-10
Curtain, Cushion & Pad Group	E-11 - E-14
Dinette Group	E-15
Driver's Compartment Group	E-15 - E-16
Electrical Group	E-17 - E-18
Exterior Body Group	E-19 - E-22
Galley Group	E-23
Heating & Air Conditioning Group	E-24
Interior Finish Group	F-1 - F-2
LP Group	F-3
Lounge Group	F-3
Water & Sewage Group	F-4
Window, Vent & Exterior Door Group	F-5 - F-16