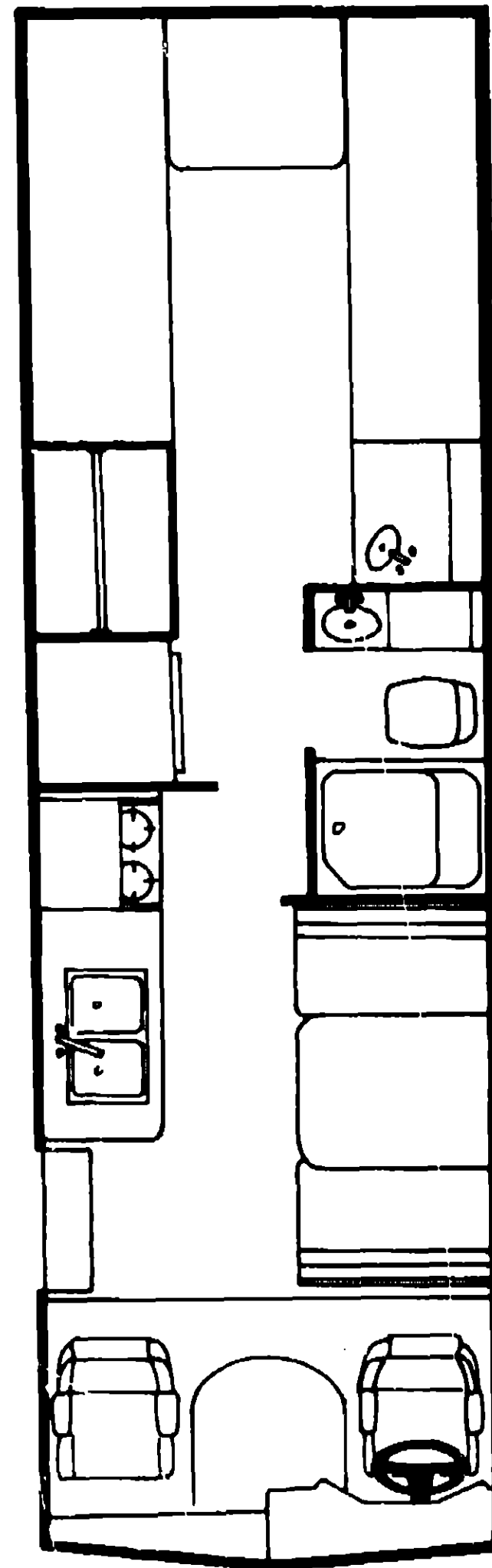


1975 C27A



D-3

1975 ITASCA TABLE OF CONTENTS

Introduction	A-1
Abbreviations	A-1
Alphabetical Index	A-2 - A-4
C24C	A-5 - B-12
C25A	B-13 - D-2
C27A	D-3 - E-16
C27AL	E-17 - G-6

1975 C27A INDEX

Floor Plan	D-3 - D-4
Accessories Group	D-5 - D-6
Bath Group	D-7
Chassis Group	D-8 - D-9
Curtain, Cushion & Pad Group	D-10 - D-12
Dinette Group	D-13
Driver's Compartment Group	D-13 - D-14
Electrical Group	D-15 - D-16
Exterior Body Group	D-17 - D-20
Galley Group	D-21
Heating & Air Conditioning Group	D-22
Interior Finish Group	D-23 - D-24
LP Group	E-1
Lounge Group	E-2
Water & Sewage Group	E-3
Window, Vent & Exterior Door Group	E-4 - E-16

D-4

ACCESSORIES GROUP

RADIOS AND RELATED COMPONENTS

Key	Part Number	U/M	Description
	031105-01-700	EA	Clip - Retaining - Side Mount Antenna
	031105-01-000	EA	Antenna - Radio - Side Mount
	039879-01-000	EA	Kit - Radio Speaker - 5 1/4" w/Cover
	049732-01-000	EA	Radio - AM/FM/MPX - 8 Track - w/Fader - Clarion
	050044-01-000	EA	Radio - AM/FM/MPX - 8 Track - w/CB - J.I.L.
	048153-01-000	EA	Antenna - CB Camper Style - J.I.L. Radio
	050785-01-000	EA	Switch - Rear Volume Control - J.I.L. Radio
	050751-01-000	EA	Plaque - Fader Switch/Mic Mounting

SPEED CONTROLS AND COMPONENTS

Key	Part Number	U/M	Description
	048577-01-000	EA	Speed Control - 350 C.I.D. - A Body - Dana
	040569-01-000	EA	Speed Control - 454 C.I.D. - A Body - Dana
	007255-01-700	EA	Regulator Asm.
	007298-01-701	EA	Servo Asm. - 350 C.I.D.
	047841-01-701	EA	Servo Asm. - 454 C.I.D.
	007255-01-702	EA	Switch - Engage (Clamps on Turn Signal Lever)
	007255-01-703	EA	Cable Asm. - Transmission
	007255-01-704	EA	Switch Asm. - Decelerate
	024746-01-700	EA	Relay - Speed Control (Under Dash)

BUNK AND HARDWARE

Key	Part Number	U/M	Description
	033551-01-700	EA	Board Asm. - Bunk - Flexsteel - Stucco
	029058-07-000	EA	Support - Bunk Bracket - Right - Dark Brown
	029058-08-000	EA	Support - Bunk Bracket - Left - Dark Brown
	041196-05-000	EA	Tube - Torque (Between Brackets) 79.25" - Dark Brown
	006076-01-000	EA	Ladder Asm. - Bunk - Alum.
	017641-01-000	EA	Stabilizer Asm. - Bunk
	040071-01-700	EA	Kit - Bunk Strap Support - 5" - Black

GENERATORS

Key	Part Number	U/M	Description
	040852-01-000	EA	Muffler - Generator - 5000 Watt - Kohler
	047343-01-000	EA	Exhaust System - 5000 Watt and 6500 Watt - Kohler
	042181-01-000	EA	Tailpipe - Generator - 90° - 1 3/8" O.D.
	024732-01-001	EA	Tubing - Steel - 1.5" O.D. (18 Gauge) x 23" Long
	040507-01-000	EA	Exhaust System - 2500 Watt or 4000 Watt - Kohler (w/o Muffler)
	040812-01-000	EA	Muffler - Generator - 2500 Watt or 4000 Watt - Kohler
	042885-01-000	EA	Air Scoop - Generator - Plastic
	050279-01-000	EA	Tray - Generator - 4000, 5000, 6500 Watt - Kohler
**	040505-01-000	EA	Generator - 4.0 KW - Kohler
**	040508-01-000	EA	Generator - 5.0 KW - Kohler
**	044149-01-000	EA	Generator - 6.5 KW - Kohler
**	051909-01-000	EA	Generator - 4.5 KW - Kohler
**	051910-01-000	EA	Generator - 5.5 KW - Kohler
**	051911-01-000	EA	Generator - 7.0 KW - Kohler

**The illustrated parts breakdown for this item is provided on the Common Items Fiche.

ACCESSORIES GROUP (CONTINUED)

MISCELLANEOUS ACCESSORIES

Key	Part Number	U/M	Description
	031396-01-000	EA	Cover - Wheel - 17.5" - Chrome
	023111-01-000	EA	Food Center - Blender and Power Unit w/o Ice Crusher Attachment
	023111-02-000	EA	Ice Crusher Attachment for Blender
	041086-01-000	EA	Ladder Asm. - w/Luggage Rack
	041086-02-000	EA	Ladder Asm. - Only
	006053-01-000	EA	Antenna - TV - Braund Delux
	006093-01-000	EA	Jack - TV - Brown
	031396-03-000	EA	Cover - Wheel - 16 1/2" - Chrome
	040466-01-000	EA	Cover - Spare Tire - 32"
	040466-02-000	EA	Cover - Spare Tire - 34"
	006113-01-000	EA	Jack - Hydraulic - 5 Ton
	041944-01-700	EA	Fire Extinguisher w/Bracket
	017516-01-000	EA	Mud Flap - Black - 14" x 18" w/Holes
	044399-01-000	EA	Thermometer - Outside - Chrome

1975 ITASCA TABLE OF CONTENTS

Introduction	A-1
Abbreviations	A-1
Alphabetical Index	A-2 - A-4
C24C	A-5 - B-12
C25A	B-13 - D-2
C27A	D-3 - E-16
C27AL	E-17 - G-6

1975 C27A INDEX

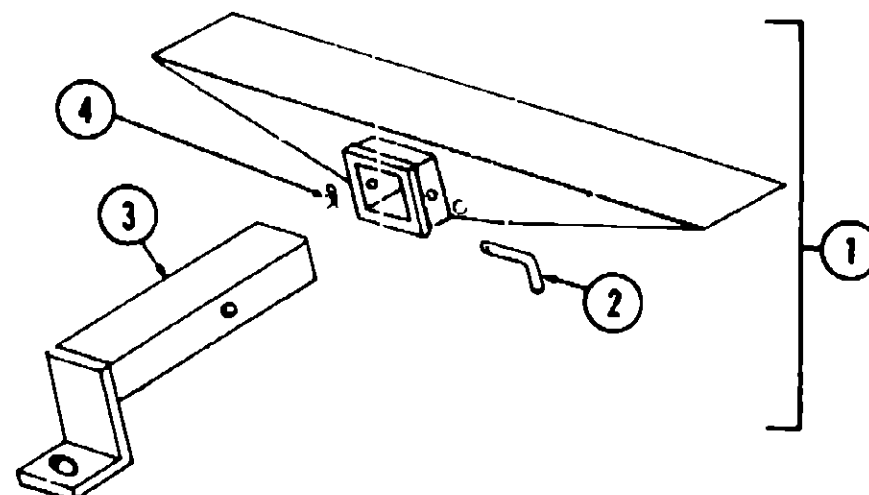
Floor Plan	D-3 - D-4
Accessories Group	D-5 - D-6
Bath Group	D-7
Chassis Group	D-8 - D-9
Curtain, Cushion & Pad Group	D-10 - D-12
Dinette Group	D-13
Driver's Compartment Group	D-13 - D-14
Electrical Group	D-15 - D-16
Exterior Body Group	D-17 - D-20
Galley Group	D-21
Heating & Air Conditioning Group	D-22
Interior Finish Group	D-23 - D-24
LP Group	E-1
Lounge Group	E-2
Water & Sewage Group	E-3
Window, Vent & Exterior Door Group	E-4 - E-16

BATH GROUP

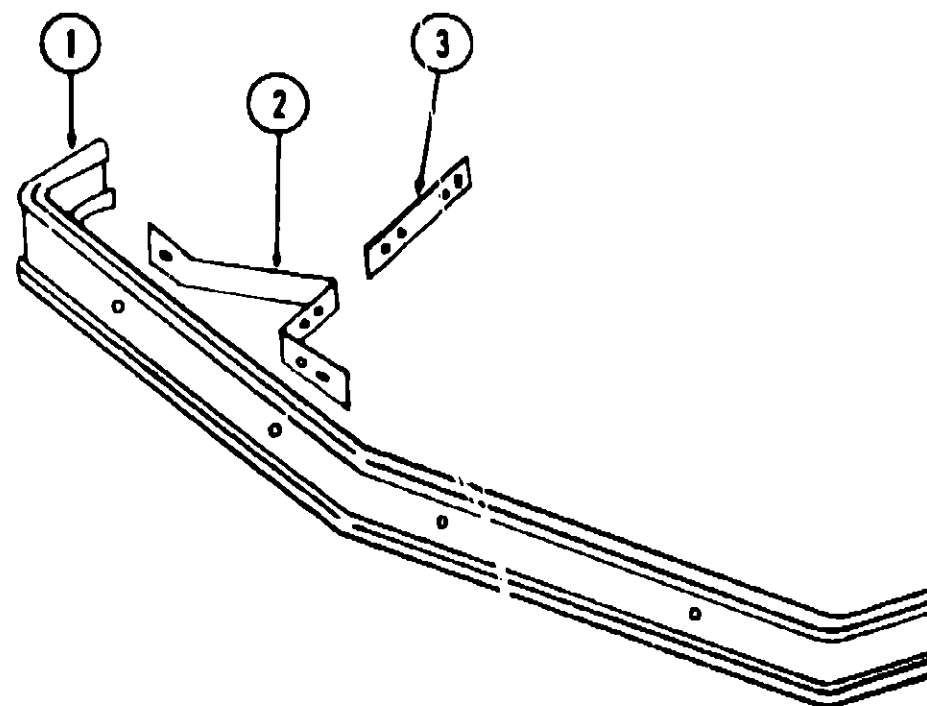
Key	Part Number	U/M	Description
	040866-01-700	EA	Door Asm. - Bathroom w/o Hardware
	040862-01-700	EA	Cabinet Asm. - Vanity w/o Countertop, Door or Hardware
	040862-01-701	EA	Countertop Asm. w/Flip Up Door - Antique Leather
	040862-01-702	EA	Door Asm. - Vanity Cabinet - 10 1/2" x 25 3/4" w/o Hardware
	040907-01-700	EA	Cabinet Asm. - Medicine w/o Door or Hardware
	040907-01-701	EA	Door Asm. - Medicine Cabinet - 23 7/8" x 10" w/o Hardware
	016747-02-000	EA	Bathtub - White Plastic w/o Hardware
	011048-01-000	EA	Shower Head - w/59" Hose
	011060-01-000	EA	Shower Head - w/40" Hose
	011048-01-700	EA	Vacuum Breaker - Shower Hose - 1/8" MPT Nylon
	031558-01-000	EA	Faucet - Tub and Shower
	037581-01-000	EA	Back Flow Preventor - Valve - Shower
	011028-01-000	EA	Sink - Oval - Stainless Steel w/Bolts
**	033327-01-000	EA	Toilet - Electra Magic - w/o Seat and Lid
**	039341-02-000	EA	Toilet - Aqua Magic Model SH - Off White - w/o Seat and Lid

**The illustrated parts breakdown for this item is provided on the Common Items Fiche.

CHASSIS GROUP



Key	Part Number	U/M	Description
1	023695-01-700	EA	Trailer Hitch Kit w/Drawbar
2	034512-01-000	EA	Pin - Locking Drawbar
3	024876-01-700	EA	Drawbar Asm. - Primed
4	034513-01-000	EA	Pin - Hitch - 3/16" Wire



Key	Part Number	U/M	Description
1	020859-01-700	EA	Bumper Asm. - Wraparound Style - Primed w/o Brackets - Front
2	023498-02-000	EA	Bracket - Bumper Outer Front - Left or Right
3	023520-02-000	EA	Bar - Bumper Bracket - Left or Right
.	007265-01-000	EA	Bumper - Chrome - Outboard Section - Left or Right
.	007263-01-000	EA	Bumper - Chrome - Center Section - Front
.	022529-01-000	EA	Bracket - Bumper Reinforcement - Chrome 3 Piece Bumper
.	022535-01-000	EA	Bumper Guard (3 Piece Chrome Bumper Only) Front - Left
.	022534-01-000	EA	Bumper Guard (3 Piece Chrome Bumper Only) Front - Right
.	Not Illustrated		

D-7

1975 ITASCA TABLE OF CONTENTS

Introduction	A-1
Abbreviations	A-1
Alphabetical Index	A-2 - A-4
C24C	A-5 - B-12
C25A	B-13 - D-2
C27A	D-3 - E-16
C27AL	E-17 - G-6

1975 C27A INDEX

Floor Plan	D-3 - D-4
Accessories Group	D-5 - D-6
Bath Group	D-7
Chassis Group	D-8 - C-9
Curtain, Cushion & Pad Group	D-10 - D-12
Dinette Group	D-13
Driver's Compartment Group	D-13 - D-14
Electrical Group	D-15 - D-16
Exterior Body Group	D-17 - D-20
Galley Group	D-21
Heating & Air Conditioning Group	D-22
Interior Finish Group	D-23 - D-24
LP Group	E-1
Lounge Group	E-2
Water & Sewage Group	E-3
Window, Vent & Exterior Door Group	E-4 - E-16

D-8

CHASSIS GROUP (CONTINUED)

Key	Part Number	U/M	Description
	020858-01-700	EA	Bumper - Rear Wraparound Style w/o Brackets - Primed
	022150-01-000	EA	Bracket - Rear Bumper
	041641-01-000	EA	Bracket Asm. - Rear Bumper w/Stationary Tire Carrier
	021598-01-000	EA	Bumper Section - Rear Chrome - Center
	007268-01-000	EA	Bumper Guard - Rear - Left or Right
	022532-01-000	EA	Support - Rear Chrome Bumper Bar
	016924-01-000	EA	Tire Carrier - Tee Bar (Swing Away Style)
	022445-01-000	EA	Bracket - Swing Away Tire Carrier - Left
	021356-01-000	EA	Bracket - Swing Away Tire Carrier - Right
	015365-01-000	EA	Locking Pin - Tire Carrier
	005522-01-000	EA	Clip - Retaining - 5/32" Wire
	040974-01-000	EA	Retainer - Spare Tire - Bar
	022655-02-000	EA	Tailpipe - 2 1/4" x 8"
	024652-01-700	EA	Step Asm. - Pull Out
	040820-01-000	E/	Tray - Generator - Kohler
	007131-01-000	EA	Hanger Asm. - Tail Pipe
	007125-06-000	EA	Clamp Asm. - 2 1/4" Dia.
	045427-01-000	EA	Hoodboard - Steel - Top Right
	045429-01-000	EA	Hoodboard - Steel - Top Left
	045430-01-000	EA	Hoodboard - Steel - Bottom Left
	045428-01-000	EA	Hoodboard - Steel - Bottom Right
	039183-01-000	EA	Cover Asm. - Radiator
	040078-01-000	EA	Tank Asm. - Aux. Fuel - 27.8 Gallon
	041182-01-000	EA	Sending Unit - 27.8 Gallon Aux. Tank - 90 Ohm
	042552-01-000	EA	Tank Asm. - Aux. Fuel - 40.04 Gallon
	041183-01-000	EA	Sending Unit - 40.04 Gallon Aux. Tank - 90 Ohm
	017568-01-000	EA	Bracket - 27.8 Gallon Fuel Tank
	041344-01-000	EA	Bracket - 40.04 Gallon Fuel Tank
	043478-01-000	EA	Canister Asm. - Vapor
	007108-01-000	FT	Hose - Heater - 5/8"
	007111-01-000	FT	Hose - Gas Fill - 2 1/4"
	024611-01-000	EA	Cap - Gas - 1.5" - Black
	024611-02-000	EA	Cap - Gas - 1.5" - Chrome
	024611-03-000	EA	Cap - Gas - 1.328" - Chrome
	040087-01-000	EA	Wheelwell - Rear - Left or Right
	041450-01-000	EA	Heat Shield - Muffler

CURTAIN, CUSHION AND PAD GROUP

CURTAINS

Key	Part Number	U/M	Description
	041143-06-000	EA	Curtain - 26 1/2" x 52" - Right - Flax
	041144-06-000	EA	Curtain - 26 1/2" x 52" - Left - Flax
	039927-40-000	EA	Curtain - 22" x 33" - Flax
	041143-05-000	EA	Curtain - 26 1/2" x 31" - Right - Flax
	041144-05-000	EA	Curtain - 26 1/2" x 31" - Left - Flax
	041143-07-000	EA	Curtain - 25 1/2" x 56" - Right - Flax
	041144-07-000	EA	Curtain - 25 1/2" x 56" - Left - Flax
	041243-06-000	EA	Curtain - Wraparound - 30" x 108" - Right - Flax
	041244-06-000	EA	Curtain - Wraparound - 30" x 108" - Left - Flax
	033315-42-000	EA	Curtain - Privacy - 56" x 42" - Flax
	033315-43-000	EA	Curtain - Privacy - 56" x 32" - Flax
	033311-06-000	EA	Curtain - Blackout - 36 1/2" x 96" - Antique Brown Vinyl

VALANCES AND TIE BACKS

Key	Part Number	U/M	Description
	038328-82-000	EA	Valance - 5" x 80" - Rust
	038328-83-000	EA	Valance - 5" x 80" - Blue
	038328-76-000	EA	Valance - 5" x 73" - Rust
	038328-77-000	EA	Valance - 5" x 73" - Blue
	038328-78-000	EA	Valance - 5" x 38" - Rust
	038328-79-000	EA	Valance - 5" x 38" - Blue
	038328-80-000	EA	Valance - 5" x 52" - Rust
	038328-81-000	EA	Valance - 5" x 52" - Blue
	031843-04-000	EA	Tie Back Asm. - Curtain - 18" - Brown Vinyl
	031843-21-000	EA	Tie Back Asm. - Curtain - 15" - Flax

CURTAIN HARDWARE

Key	Part Number	U/M	Description
	018031-42-000	EA	Track - Curtain - "L" Rod - Alum. - 90"
	009136-01-000	EA	Hook - Shower Curtain
	029100-01-000	EA	Hook - Privacy Curtain
	052327-04-236	EA	Curtain Track - 89" - Brown Alum. - w/Holes (Replaces 009108-01-000 Brown Plastic Track)
	035428-05-000	EA	Track - Wraparound Curtain - Right
	035428-08-000	EA	Track - Wraparound Curtain - Left
	009107-01-000	EA	Gulke - Nylon Snap - Curtain
	009701-01-000	EA	Carrier w/Rollers - Curtain - "L" Rod
	009702-01-000	EA	End Stop - Curtain Track - "L" Rod



Key	Part Number	U/M	Description
1	029130-01-000	EA	Socket - Snap Fastener - 7 x 5/8" (Tie Backs)
2	029155-01-000	EA	Cap - Snap - .158" Dia. x .17" Barrel (Tie Backs)
3	029156-01-000	EA	Socket - Snap Fastener (Tie Backs)
4	029092-01-000	EA	Stud - Nickel Finish (Curtains)
5	029093-01-000	EA	Eyelet - Nickel Finish (Curtains)

1975 ITASCA TABLE OF CONTENTS

Introduction	A-1
Abbreviations	A-1
Alphabetical Index	A-2 - A-4
C24C	A-5 - B-12
C25A	B-13 - D-2
C27A	D-3 - E-16
C27AL	E-17 - G-6

1975 C27A INDEX

Floor Plan	D-3 - D-4
Accessories Group	D-5 - D-6
Bath Group	D-7
Chassis Group	D-8 - D-9
Curtain, Cushion & Pad Group	D-10 - D-12
Dinette Group	D-13
Driver's Compartment Group	D-13 - D-14
Electrical Group	D-15 - D-16
Exterior Body Group	D-17 - D-20
Galley Group	D-21
Heating & Air Conditioning Group	D-22
Interior Finish Group	D-23 - D-24
LP Group	E-1
Lounge Group	E-2
Water & Sewage Group	E-3
Window, Vent & Exterior Door Group	E-4 - E-16

CURTAIN, CUSHION AND PAD GROUP (CONTINUED)

DINETTE CUSHIONS

Key	Part Number	U/M	Description
	039931-07-000	EA	Cushion - Dinette Bottom - 21 1/2" x 38" x 4" - Rust
	039931-08-000	EA	Cushion - Dinette Bottom - 21 1/2" x 38" x 4" - Blue
	039931-07-007	EA	Cover - Dinette Bottom Cushion - 21 1/2" x 38" x 4" - Rust
	039931-08-008	EA	Cover - Dinette Bottom Cushion - 21 1/2" x 38" x 4" - Blue
	039932-01-000	EA	Cushion - Dinette Back - 6" x 14 1/2" x 38" x 4" - Rust
	039932-02-000	EA	Cushion - Dinette Back - 6" x 14 1/2" x 38" x 4" - Blue
	039932-01-001	EA	Cover - Dinette Back Cushion - 6" x 14 1/2" x 38" x 4" - Rust
	039932-02-002	EA	Cover - Dinette Back Cushion - 6" x 14 1/2" x 38" x 4" - Blue

LOUNGE CUSHIONS

Key	Part Number	U/M	Description
	039931-43-000	EA	Cushion - Mattress - 29" x 76" x 5" - Rust
	039931-44-000	EA	Cushion - Mattress - 29" x 76" x 5" - Blue
	039931-43-043	EA	Cover - Mattress Cushion - 29" x 76" x 5" - Rust
	039931-44-044	EA	Cover - Mattress Cushion - 29" x 76" x 5" - Blue

MATTRESSES

Key	Part Number	U/M	Description
	031503-28-000	EA	Mattress - Flexsteel Bunk - 41" x 77" x 4" - Rust
	031503-29-000	EA	Mattress - Flexsteel Bunk - 41" x 77" x 4" - Blue

BUCKET SEATS, ARMRESTS AND HEADRESTS

Key	Part Number	U/M	Description
	040517-01-000	EA	Seat Asm. - Single Bucket w/o Slides - Rust
	040517-02-000	EA	Seat Asm. - Single Bucket w/o Slides - Blue
	040518-01-001	EA	Cover - Single Bucket Seat Back - Rust
	040518-02-001	EA	Cover - Single Bucket Seat Back - Blue
	040518-01-002	EA	Cover - Single Bucket Seat Bottom - Rust
	040518-02-002	EA	Cover - Single Bucket Seat Bottom - Blue
	040518-01-000	EA	Seat Asm. - Double Bucket - Rust
	040518-02-000	EA	Seat Asm. - Double Bucket - Blue
	040518-01-001	EA	Cover Asm. - Double Bucket Seat Back - Rust
	040518-02-001	EA	Cover Asm. - Double Bucket Seat Back - Blue
	040518-01-002	EA	Cover Asm. - Double Bucket Seat Bottom - Rust
	040518-02-002	EA	Cover Asm. - Double Bucket Seat Bottom - Blue
	040494-01-000	EA	Armrest Asm. - Bracket w/Foam - w/o Cover - Right
	040494-02-000	EA	Armrest Asm. - Bracket w/Foam - w/o Cover - Left
	040492-01-001	EA	Cover Asm. - Armrest - Rust
	040492-02-002	EA	Cover Asm. - Armrest - Blue
	029136-01-000	EA	Grommet - Headrest - Brown Nylon
	031133-01-000	EA	Protector - Brown Plastic - Bucket Seat - Back Corner
	019722-01-000	EA	Headrest Asm. - Foam w/o Cover
	033906-07-000	EA	Cover Asm. - Headrest - Rust
	033906-08-000	EA	Cover Asm. - Headrest - Blue

CURTAIN, CUSHION AND PAD GROUP (CONTINUED)

PADS

Key	Part Number	U/M	Description
	039926-01-000	EA	Pad - Bottom Side Panel - 10" x 52" - Antique Brown
	039929-01-000	EA	Pad - Quarter Panel - 15 3/4" x 46" - Left - Antique Brown
	039973-01-000	EA	Pad - Dinette Back - Antique Brown
	039439-01-000	EA	Pad - Dinette - Front - 15" x 38" - Antique Brown
	039438-01-000	EA	Pad - Dinette - Rear - 15" x 38" - Antique Brown
	039933-01-000	EA	Pad - Quarter Panel - 15 3/4" x 44 1/2" - Right
	040071-01-700	EA	Kit - Bunk Strap Support - 5"
	041157-01-000	EA	Pad - Overhead Bunk Panel - Right Front
	041158-01-000	EA	Pad - Overhead Bunk Panel - Left Front
	041159-01-000	EA	Pad - Overhead Bunk Panel - Right Rear
	041159-02-000	EA	Pad - Overhead Bunk Panel - Left Rear

FABRICS

Key	Part Number	U/M	Description
	039780-01-000	YD	Fabric - Upholstery/Valance - Rust
	039780-02-000	YD	Fabric - Upholstery/Valance - Blue
	039781-01-000	YD	Fabric - Drapery - Flax
	024918-03-000	YD	Vinyl - Oxen Tan
	039176-01-000	YD	Vinyl - Sultana Brown

**1975 ITASCA
TABLE OF CONTENTS**

Introduction	A-1
Abbreviations	A-1
Alphabetical Index	A-2 - A-4
C24C	A-5 - B-12
C25A	B-13 - D-2
C27A	D-3 - E-16
C27AL	E-17 - G-6

1975 C27A INDEX

Floor Plan	D-3 - D-4
Accessories Group	D-5 - D-6
Bath Group	D-7
Chassis Group	D-8 - D-9
Curtain, Cushion & Pad Group	D-10 - D-12
Dinette Group	D-13
Driver's Compartment Group	D-13 - D-14
Electrical Group	D-15 - D-16
Exterior Body Group	D-17 - D-20
Galley Group	D-21
Heating & Air Conditioning Group	D-22
Interior Finish Group	D-23 - D-24
LP Group	E-1
Lounge Group	E-2
Water & Sewage Group	E-3
Window, Vent & Exterior Door Group	E-4 - E-16

DINETTE GROUP

Key	Part Number	U/M	Description
	024274-11-700	EA	Table Asm. - Dinette - w/o Hardware - Butcher Block
	047809-03-000	EA	Kit - Dinette Table - Wall Mount - Hardware
	047842-01-000	EA	Kit - Table Leg - Brown
	041254-01-700	EA	Cabinet Asm. - Front Dinette Seat - w/o Door or Hardware
	041254-01-701	EA	Door Asm. - Front or Rear Dinette Seat Cabinet 15 1/8" x 8" w/o Hardware
	041255-01-700	EA	Cabinet Asm. - Rear Dinette Seat - w/o Door or Hardware

DRIVER'S COMPARTMENT GROUP

DASH PANEL AND COMPONENTS

Key	Part Number	U/M	Description
	031623-04-000	EA	Dash Asm. - Itasca - Complete w/Gauges and Switches
	022548-02-000	EA	Pad - Dash - Foam - Right - Oxen Tan
	023242-03-000	EA	Pad - Dash - Foam - Left - Oxen Tan
	022219-01-000	EA	Door - Glove Compartment
	009118-01-000	EA	Lock - Twist w/Nut
	023892-01-000	EA	Box - Glove Compartment - Black Fiberboard
	009088-01-000	EA	Hinge - Continuous - Alum. 11/16" x 72" - Plain
	034399-01-000	EA	Chain - Bead - Glove Box Door
	023834-01-000	EA	Panel - Knee Kick - (Bottom of Dash)
	024418-01-000	EA	Lamp Asm. - Map/Gauge
	007308-01-000	EA	Clock - Dash
	007037-01-000	EA	Lighter Asm. - Cigarette 12-Volt
	007041-01-000	EA	Bezel Cigarette Lighter
	024979-01-000	EA	Bezel - Entertainment Center
	007071-01-000	EA	Louver - Chrome - w/Chrome Wheel
	039847-01-000	EA	Bezel - Panel - Control
	023020-01-000	EA	Lamp Asm. - Tell Tale
	039044-01-000	EA	Louver Asm. - A/C Adjustable
	040636-01-000	EA	Bracket Asm. - Shift Lever
	039502-02-000	EA	Tray - Beverage
	024990-01-000	EA	Outlet - Defroster w/Swivel - 2" Tan

DRIVER'S COMPARTMENT GROUP (CONTINUED)

DASH SWITCHES AND GAUGES

Key	Part Number	U/M	Description
	024461-01-000	EA	Switch - Battery
	024463-01-000	EA	Switch - Blinker
	024464-01-000	EA	Switch - Washer
	024465-01-000	EA	Switch - Fuel
	024467-01-000	EA	Switch - Wiper
	024459-01-000	EA	Gauge Asm. - Voltmeter
	024460-01-000	EA	Gauge - Vacuum Dash
	024462-01-000	EA	Switch - Battery Condition
	031035-01-000	EA	Gauge - Hourmeter - Generator
	024976-01-000	EA	Switch - Generator w/o Circuit Board
	037387-01-000	EA	Switch - Generator w/Circuit Board

BUCKET SEAT PEDESTAL AND SEAT BELTS

Key	Part Number	U/M	Description
	038837-01-000	EA	Pedestal Asm. - Seat Bottom w/Tightener
	038832-01-000	EA	Rod - Seat Adjuster
	041854-01-000	EA	Pedestal - Base - Single and Double Seat
	007223-01-000	EA	Adjuster Asm. - Seat w/Lock
	007227-01-000	EA	Adjuster - Seat - w/o Lock
	041459-01-000	EA	Pedestal - Top - Single Seat
	007019-01-000	EA	Belt Asm. - Seat - 2" x 84" Black
	041322-01-000	EA	Washer - Flat - 15/32" I.D. - Seat Belt
	050447-01-000	EA	Pedestal Asm. - Tilt Seat - Driver
	050447-02-000	EA	Pedestal Asm. - Tilt Seat - Passenger

MISCELLANEOUS DRIVER'S COMPARTMENT COMPONENTS

Key	Part Number	U/M	Description
	039333-01-000	EA	Cover - Motor - Plastic
	039857-01-000	EA	Latch - Rubber - Draw Handle - 5 3/4" w/Strike (Motor Cover)
	039856-01-000	EA	Latch - Rubber - Draw Handle - 3" w/Strike (Motor Cover)
	035368-02-000	EA	Seal - Motor Cover - (Aluminum Extr.)
	040519-01-000	EA	Boot - Rubber - Steering Column
	040520-01-000	EA	Boot - Retainer - Steering Column
	034499-01-000	EA	Support - Dimmer Switch
	009143-01-000	EA	Mirror - Sunvisor
	007278-01-000	EA	Mirror - Rear View
	046888-01-000	EA	Ash Tray - Flush Mount - Chrome
	038414-01-000	EA	Ash Tray - Wall Mount - Brown
	022758-02-000	EA	Sunvisor Asm. - Right - Oxen Tan
	022759-02-000	EA	Sunvisor Asm. - Left - Oxen Tan
	020763-01-000	EA	Seal - Alum. - Motor Cover
	039821-01-700	EA	Cabinet Asm. - Front Overhead - w/o Doors or Hardware
	039821-01-701	EA	Door Asm. - Overhead Cabinet - 35" x 6 7/8" w/o Hardware

1975 ITASCA TABLE OF CONTENTS

Introduction	A-1
Abbreviations	A-1
Alphabetical Index	A-2 - A-4
C24C	A-5 - B-12
C25A	B-13 - D-2
C27A	D-3 - E-16
C27AL	E-17 - G-8

1975 C27A INDEX

Floor Plan	D-3 - D-4
Accessories Group	D-5 - D-6
Bath Group	D-7
Chassis Group	D-8 - D-9
Curtain, Cushion & Pad Group	D-10 - D-12
Dinette Group	D-13
Driver's Compartment Group	D-13 - D-14
Electrical Group	D-15 - D-16
Exterior Body Group	D-17 - D-20
Galley Group	D-21
Heating & Air Conditioning Group	D-22
Interior Finish Group	D-23 - D-24
LP Group	E-1
Lounge Group	E-2
Water & Sewage Group	E-3
Window, Vent & Exterior Door Group	E-4 - E-18

ELECTRICAL GROUP

BULBS

Key	Part Number	U/M	Description
	037935-01-000	EA	Bulb - 1157
	038010-01-000	EA	Bulb - 1143
	008103-01-000	EA	Bulb - 53
	008214-01-000	EA	Bulb - 67
	008215-01-000	EA	Bulb - 1003
	008216-01-000	EA	Bulb - 1034
	008217-01-000	EA	Bulb - 1071
	008218-01-000	EA	Bulb - 1141
	008219-01-000	EA	Bulb - 656
	008220-01-000	EA	Bulb - 12 Volt - 25 Watt
	700020-01-000	EA	Bulb - 12 Volt - 20 Watt - 1393
	036196-01-000	EA	Bulb - 194
	008213-01-000	EA	Bulb - 57

EXTERIOR LIGHTS

Key	Part Number	U/M	Description
	008089-01-000	EA	Light - Porch - Recessed
	033562-01-000	EA	Light - Clearance - Amber - Oval - 2 Bulb w/Ground
	033748-01-000	EA	Light - Clearance - Amber - Oval - 1 Bulb w/Ground
	033748-02-000	EA	Light - Clearance - Red - Oval - 1 Bulb w/Ground
	008081-01-000	EA	Lamp Asm. - Tail
	008082-01-000	EA	Lamp Asm. - Tail w/License Bracket
	041327-01-000	EA	Wedge - Tail Lamp
	008085-01-000	EA	Light - Backup
	700002-01-000	EA	Lens - Taillight w/License Plate Bracket
	700002-04-000	EA	Lens - Taillight w/o License Plate Bracket

INTERIOR LIGHTS

Key	Part Number	U/M	Description
	007309-01-000	EA	Light - Step Well
	024473-01-000	EA	Light - Aircraft - 1 Bulb Gold
	008098-01-000	EA	Light - Dome - 1 Bulb - Wood Grain
	008098-01-000	EA	Light - Dome - 3 Bulb - Wood Grain

FUSES AND CIRCUIT BREAKERS

Key	Part Number	U/M	Description
	008233-01-000	EA	Fuse - 12 Volt - 8 Amp.
	008234-01-000	EA	Fuse - 12 Volt - 10 Amp.
	008235-01-000	EA	Fuse - 12 Volt - 15 Amp.
	008236-01-000	EA	Fuse - 12 Volt - 20 Amp.
	008248-01-000	EA	Fuse - 12 Volt - 30 Amp.
	008278-01-000	EA	Fuse - 12 Volt - 9 Amp.
	008251-01-000	EA	Fuse Holder - Black - Screw Type
	008212-01-000	EA	Circuit Breaker - 12 Volt - 5 Amp.
	008208-01-000	EA	Circuit Breaker - 12 Volt - 40 Amp.
	033573-01-000	EA	Circuit Breaker - 12 Volt - 20 Amp.
	008268-01-000	EA	Circuit Breaker - 12 Volt - 30 Amp.

ELECTRICAL GROUP (CONTINUED)

WIRE, SWITCHES AND RECEPTACLES

Key	Part Number	U/M	Description
	008024-01-000	FT	Wire - 18.5 Bonded - Orange/White/Yellow/Blue/Brown
	008025-01-000	FT	Wire - 18.5 Bonded - Orange/White/Yellow/Blue/Green
	008028-01-000	FT	Wire - 18.5 Bonded - Blue/Red/Yellow/Orange/White
	008029-01-000	FT	Wire - 18.6 Bonded
	008032-01-000	EA	Wire - 18.4 Bonded
	008195-01-000	EA	Switch - Push Button - 12 Volt
	008054-01-000	EA	Cord - Power - 10-3 30 Amp. - 25' - UL
	008058-01-000	EA	Adaptor - Power Cord
	024924-01-000	EA	Receptacle - Power Cord w/ Plate
	039342-01-000	EA	Receptacle - Duplex - Brown
	047351-01-000	EA	Receptacle - Ground Fault Interrupter - 125 Volt - Black
	039338-01-000	EA	Cover Plate - Receptacle - Plastic - Brown
	024571-01-000	EA	Cover Plate - Receptacle - Jumbo Steel - Brown
	039343-01-000	EA	Cap - End Receptacle
	008162-01-000	EA	Switch - Double Toggle - Spade Brown
	008163-01-000	EA	Switch - Toggle - Brown
	008164-01-000	EA	Cover Plate - Switch - Single Plastic - Brown

WINDSHIELD WIPER AND WASHER

Key	Part Number	U/M	Description
	007029-01-000	EA	Washer Asm. - Electric - Front
	007191-01-000	EA	Washer Asm. - Electric - Rear
	037999-01-000	EA	Motor Asm. - Windshield Wiper
	037998-01-000	EA	Link Asm. - Connecting - 22.40" Long
	038000-01-000	EA	Blade - Windshield Wiper - 16"
	038001-01-000	EA	Shaft and Pivot Asm. - 2.25" Arm
	037997-01-000	EA	Arm. - Windshield Wiper - 15"
	700073-05-000	EA	Pump and Cover Asm. - (washer)
	700073-02-000	EA	Washer Nozzle Hardware Package - Front

MISCELLANEOUS ELECTRICAL COMPONENTS

Key	Part Number	U/M	Description
	039950-01-000	EA	Control Center - 30 Amp.
	046775-01-000	EA	Valve Asm. - Fuel Change Over
	008188-01-000	EA	Solenoid - Dual Battery - Relay
	047389-01-000	EA	Battery - 12 Volt - 105 Amp. Deep Cycle - Dry
	047338-01-000	EA	Isolator - Dual Battery
	024417-01-000	EA	Panel - Control - Water/Double Sewage - Wemac
	011024-01-000	EA	Sending Unit - Water Tank - 5 Wire
	039861-01-000	EA	Sending Unit Kit - Wemac

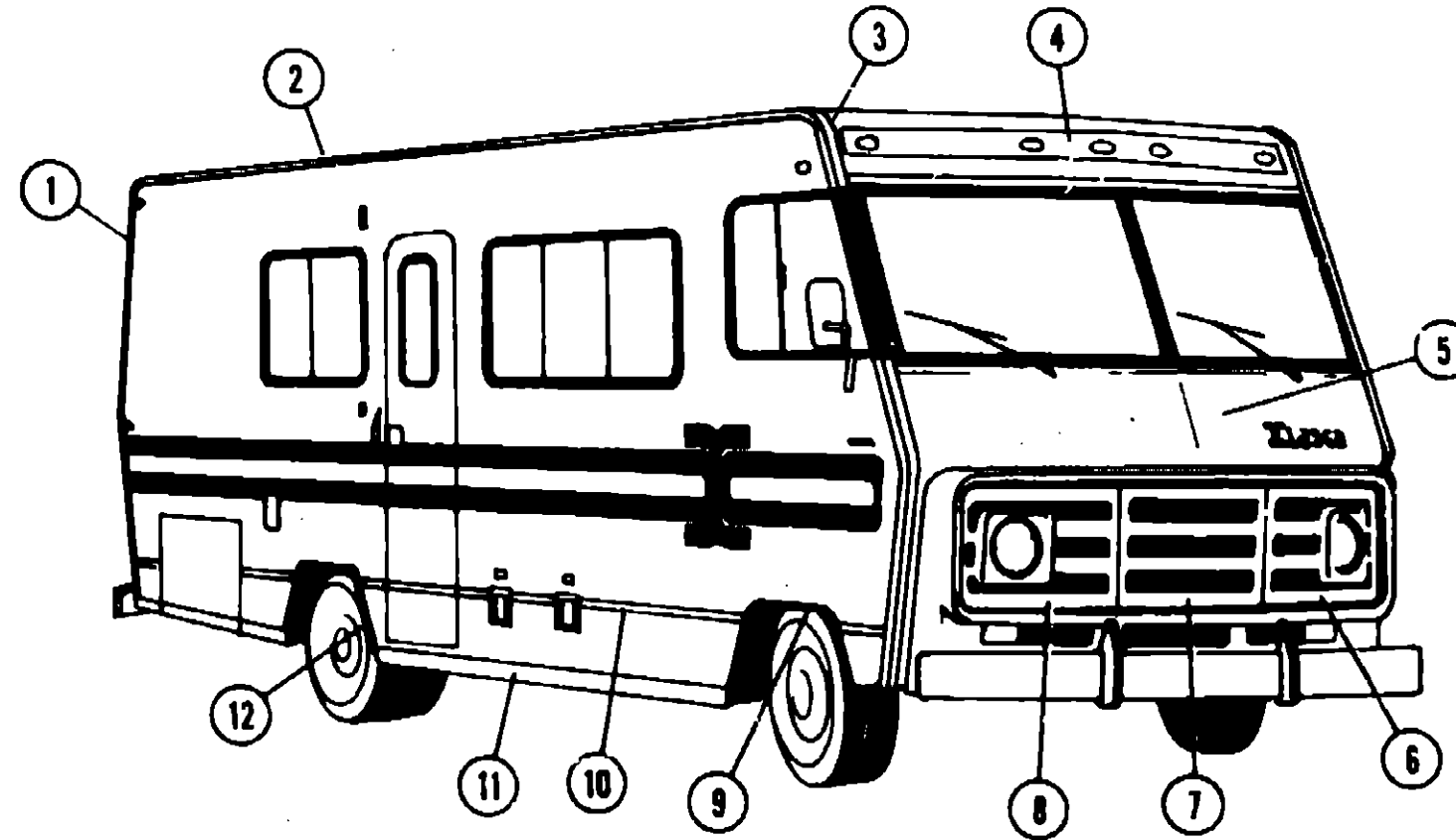
1975 ITASCA TABLE OF CONTENTS

Introduction	A-1
Abbreviations	A-1
Alphabetical Index	A-2 - A-4
C24C	A-5 - B-12
C25A	B-13 - D-2
C27A	D-3 - E-16
C27AL	E-17 - G-6

1975 C27A INDEX

Floor Plan	D-3 - D-4
Accessories Group	D-5 - D-6
Bath Group	D-7
Chassis Group	D-8 - D-9
Curtain, Cushion & Pad Group	D-10 - D-12
Dinette Group	D-13
Driver's Compartment Group	D-13 - D-14
Electrical Group	D-15 - D-16
Exterior Body Group	D-17 - D-20
Galley Group	D-21
Heating & Air Conditioning Group	D-22
Interior Finish Group	D-23 - D-24
LP Group	E-1
Lounge Group	E-2
Water & Sewage Group	E-3
Window, Vent & Exterior Door Group	E-4 - E-16

EXTERIOR BODY GROUP



1975 ITASCA TABLE OF CONTENTS

Introduction	A-1
Abbreviations	A-1
Alphabetical Index	A-2 - A-4
C24C	A-5 - B-12
C25A	B-13 - D-2
C27A	D-3 - E-16
C27AL	E-17 - G-6

Key	Part Number	U/M	Description
1	039964-01-000	EA	Trim - Contour - Off White - Right Rear
•	039964-02-000	EA	Trim - Contour - Off White - Left Rear
2	034095-01-005	EA	Trim - Radius Contour - Off White
3	039963-01-000	EA	Trim - Contour - Off White - Right Front
•	039964-02-000	EA	Trim - Contour - Off White - Left Front
4	039499-01-000	EA	Cap - Roof - Front - Off White Plastic
5	039498-01-000	EA	Shroud - Front - Off White Plastic
6	039141-01-000	EA	Grille - Orange Plastic - Left
7	039142-01-000	EA	Grille - Orange Plastic - Center
8	039141-02-000	EA	Grille - Orange Plastic - Right
9	039962-01-000	EA	Trim - Wheel Well - Front - Left or Right
10	002444-02-003	EA	Extr. - Feature Strip w/c. Insert - 18'
•	001030-02-002	EA	Insert - Feature Strip - Off White - 21'
•	009731-01-000	EA	End Cap - Feature Strip

Key	Part Number	U/M	Description
11	036908-02-001	EA	Extr. - Rocker Panel - Alum. Anod - 18'
•	040632-01-000	EA	Plug - Rocker Panel - Mitered - Wheel Well Opening (Used for Left Side of All Wheel Well Openings)
•	040631-01-000	EA	Plug - Rocker Panel - Mitered - Wheel Well Opening (Used for Left Side of All Wheel Well Openings)
•	040420-01-000	EA	Plug - Rocker Panel End - Right
•	040420-02-000	EA	Plug - Rocker Panel End - Left
12	039961-01-000	EA	Trim - Wheel Well - Rear - Left or Right
•	009717-02-002	EA	Extr. - Drip Rail - Alum. - 19'
•	002365-02-001	EA	Extr. Anod. Alum. - U-Channel - 18'
•	Not illustrated		

1975 C27A INDEX

Floor Plan	D-3 - D-4
Accessories Group	D-5 - D-6
Bath Group	D-7
Chassis Group	D-8 - D-9
Curtain, Cushion & Pad Group	D-10 - D-12
Dinette Group	D-13
Driver's Compartment Group	D-13 - D-14
Electrical Group	D-15 - D-16
Exterior Body Group	D-17 - D-20
Galley Group	D-21
Heating & Air Conditioning Group	D-22
Interior Finish Group	D-23 - D-24
LP Group	E-1
Lounge Group	E-2
Water & Sewage Group	E-3
Window, Vent & Exterior Door Group	E-4 - E-16

EXTERIOR BODY GROUP (CONTINUED)

EXTERIOR BODY PANELS AND SHEET ALUMINUM

Key	Part Number	U/M	Description
	039459-01-000	EA	Backwall Asm.
	041064-01-000	EA	Sidewall Asm. - Left
	041063-01-000	EA	Sidewall Asm. - Right
	041066-01-000	EA	Roof Asm.
	039155-03-008	EA	Off White Mesa Alum. - .024" x 36" x 60"
	039155-03-002	EA	Off White Mesa Alum. - .024" x 36" x 300"
	039155-03-003	EA	Off White Mesa Alum. - .024" x 36" x 360"
	039155-03-007	EA	Off White Mesa Alum. - .024" x 48" x 60"
	039155-03-005	EA	Off White Mesa Alum. - .024" x 48" x 300"
	039155-03-006	EA	Off White Mesa Alum. - .024" x 48" x 360"
	039155-03-009	EA	Off White Mesa Alum. - .024" x 12" x 360"
	044487-01-001	EA	Plain Roof Metal - 96" x 360"
	039155-07-010	EA	Off White Greyhound Alum. - 48" x 96"
	001054-01-011	EA	Off White Plain Alum. - 48" x 96"
	000888-01-000	BF	Styrofoam - 3/4" x 24" x 96"
	000370-01-000	BF	Styrofoam - 1 1/2" x 24" x 96"

EXTERIOR PAINT

Key	Part Number	U/M	Description
	041581-01-000	EA	Paint - Off White - Acrylic Enamel - 1 Gallon
	041581-03-000	EA	Paint - Off White - Acrylic Enamel - 16 Oz. Aerosol
	041581-04-000	EA	Paint - Off White - Acrylic Lacquer - 1 Gallon
	045881-01-000	EA	High Gloss Black - Acrylic Enamel - 1 Gallon
	045881-03-000	EA	Paint - High Gloss Black - Acrylic Enamel - 16 Oz. Aerosol
	040509-01-000	EA	Paint - Burnt Orange - 1 Gallon
	040509-03-000	EA	Paint - Burnt Orange - 16 Oz. Aerosol

LABELS AND DECALS

Key	Part Number	U/M	Description
	008031-01-000	EA	Label - Potable Water Only
	008187-01-000	EA	Label - Sewage
	008188-01-000	EA	Label - Waste Water
	008199-01-000	EA	Label - Exit - Escape Window
	039289-01-000	EA	Label - Warning Aux. Loading
	008023-01-000	EA	Label - Water Only
	008025-01-000	EA	Label - Gas
	008028-01-000	EA	Label - Drain Cap - 2" x 3"
	008092-01-000	EA	Reflector - Stick on - Rectangular - Red
	008093-01-000	EA	Reflector - Stick on - Rectangular - Amber
	040048-01-000	EA	Decal - Logo - Itasca "I" - 21" x 21"
	040055-01-000	EA	Decal - Clearance Light Stripe - Right
	040055-02-000	EA	Decal - Clearance Light Stripe - Left
	040056-01-000	EA	Decal - "Itasca" - Front Shroud
	040057-01-000	EA	Decal - Grille Blackout - Right
	040057-02-000	EA	Decal - Grille Blackout - Left
	040059-01-000	EA	Decal - Stripe - Front - Right
	040059-02-000	EA	Decal - Stripe - Front - Left

EXTERIOR BODY GROUP (CONTINUED)

SEALANTS, ADHESIVES AND FASTENERS

Key	Part Number	U/M	Description
	034552-05-000	EA	Sealant - Off White Silicone
	034552-04-000	EA	Sealant - Beige Silicone
	034552-02-000	EA	Sealant - Clear Silicone
	004343-02-000	EA	Sealant - Aluminum Silicone
	004349-01-000	EA	Sealant - Black Silicone
	004342-01-000	EA	Sealant - Weatherban 202 Tube
	004346-02-000	EA	Sealant - White Silicone
	004347-01-000	EA	Sealant - Tuflex
	002316-01-000	FT	Sealer Tape - 3/32" x 1/8"
	024545-01-000	FT	Sealer Tape - 1/8" x 5/8" - Black
	004350-01-000	FT	Sealer Tape - 1/8" x 1" - Formaseal
	004352-01-000	FT	Sealer Tape - 1/8" x 3/4" - Formaseal
	004355-01-000	FT	Sealer Tape - 1/8" x 5/8" - Black
	004357-01-000	FT	Sealer Tape - 1/8" x 5/8" - Adhesive
	002707-01-000	FT	Sealer Tape - 5/16" x 3/4" - Black Foam
	004363-01-000	FT	Sealer Tape - 3/16" x 1/2" - Foam
	004362-01-000	FT	Sealer Tape - 1/4" x 5/8" - Foam
	009200-01-000	EA	Tape - Furnace - 1 1/2"
	041839-01-000	FT	Tape - Window Latch - 3/4" - Adhesive
	041839-02-000	FT	Tape - Window Latch - 1/2" - Adhesive
	004353-01-000	FT	Tape - Gasket - 1/8" x 3/4" - White
	002825-01-000	FT	Weather Stripping Roof Vent
	002337-01-000	EA	Adhesive - 3M - 1300 Tube
	004005-01-000	GL	Adhesive - Swifts - Green - Glue (Sidewalls)
	004012-01-000	EA	Adhesive - 3M - 4475 Tube
	004020-01-000	QT	Adhesive - ABS Cement (Plastic Fittings)
	029051-01-000	EA	Adhesive - Spray Vinyl
	042401-01-000	EA	Screw - A - 18 x 3/4" SDPH Beige
	042403-01-000	EA	Screw - SF/DR - 8-18 x 1" SDPH Beige

MISCELLANEOUS EXTERNALLY MOUNTED PARTS

Key	Part Number	U/M	Description
	016253-06-000	EA	Fuel Fill - Recessed - Single - Off White
	010230-02-000	EA	Fill - City Water - Recessed - Off White
	011020-01-000	EA	Fill - Water - Recessed - Off White
	011124-01-000	EA	Plumbing Seal - Roof Vent - 1 1/4"
	011129-01-000	EA	Plumbing Seal - Roof Vent - 1 1/2" White
	049944-01-000	EA	Bracket - Mirror - Outside - Mounts to Coach - Off White
	039066-01-000	EA	Mirror Head w/o Convex
	039066-03-000	EA	Mirror Head w/Convex
	039066-02-000	EA	Arm - Mirror - Tall

1975 ITASCA TABLE OF CONTENTS

Introduction	A-1
Abbreviations	A-1
Alphabetical Index	A-2 - A-4
C24C	A-5 - B-12
C25A	B-13 - D-2
C27A	D-3 - E-16
C27AL	E-17 - G-8

1975 C27A INDEX

Floor Plan	D-3 - D-4
Accessories Group	D-5 - D-6
Bath Group	D-7
Chassis Group	D-8 - D-9
Curtain, Cushion & Pad Group	D-10 - D-12
Dinette Group	D-13
Driver's Compartment Group	D-13 - D-14
Electrical Group	D-15 - D-16
Exterior Body Group	D-17 - D-20
Galley Group	D-21
Heating & Air Conditioning Group	D-22
Interior Finish Group	D-23 - D-24
LP Group	E-1
Lounge Group	E-2
Water & Sewage Group	E-3
Window, Vent & Exterior Door Group	E-4 - E-16

GALLEY GROUP

GALLEY CABINETRY

Key	Part Number	U/M	Description
	040863-01-700	EA	Cabinet Asm. - Galley w/o Counteriop, Drawers, Doors r/r Hardware
	040963-01-701	EA	Countertop Asm. - Galley Cabinet - Butcher Block
	027671-04-000	EA	Sink Cover - Butcher Block
	040863-01-702	EA	Door Asm. - Galley Cabinet - 25 7/8" x 10" - Left or Right w/o Hardware
	040863-01-703	EA	Drawer Asm. - Galley Cabinet - 14 1/8" x 5 1/4" w/o Hardware
	040863-01-704	EA	Drawer Asm. - Galley Cabinet - 20 1/2" x 6 3/8" w/o Hardware
	040435-01-000	EA	Galley Extension - Butcher Block
	041547-01-000	EA	Spice Rack
	040924-01-000	EA	Door - Sliding - Aisle Divider
	009155-01-000	EA	Track - Sliding Door
	009156-01-000	EA	Hanger - Sliding Door
	027045-01-000	EA	Tie Back - Sliding Door - 7/8" x 10" - Clear Vinyl
	009148-01-000	EA	Finger Pull - Brass - 3/4"
	040908-01-700	EA	Cabinet Asm. - Galley Overhead - w/o Doors or Hardware
	040908-01-701	EA	Door Asm. - Galley Overhead - 17" x 10" - w/o Hardware

GALLEY HARDWARE

Key	Part number	U/M	Description
	011032-01-000	EA	Sink - Stainless Steel - Double w/Bolts
	011053-01-000	EA	Faucet - 8" - Swing Spout
	011053-01-700	EA	Aerator - Swing Spout Faucet
	011085-01-000	EA	Strainer - Sink
	006091-01-000	EA	Tray - Cutlery - Gold
	009049-01-000	EA	Support - Galley Extension
	009059-01-000	EA	Hinge - 2" - Gold

GALLEY APPLIANCES

Key	Part Number	U/M	Description
**	034542-01-000	EA	Refrigerator - Winnebago - Two Door - W8EG
**	034544-01-000	EA	Refrigerator - Winnebago - Two Door - W7EG
**	034545-01-000	EA	Refrigerator - Winnebago - One Door - W6EG
**	003336-01-000	EA	Refrigerator - Dometic - One Door - RM66
**	003337-01-000	EA	Refrigerator - Dometic - Two Door - RM76
**	003018-01-000	EA	Range - Coleman Eyelevel - 2209C
**	046747-01-000	EA	Range - Coleman Eyelevel - 2209F
*	024669-01-000	EA	Hood - Range - Eyelevel Oven - Strawsine
*	024669-01-700	EA	Filter - Range Hood - Eyelevel Oven - Strawsine
*	Not Illustrated		

**The illustrated parts breakdown for this item is provided on the Common Items Fiche.

HEATING AND AIR CONDITIONING GROUP

Key	Part Number	U/M	Description
	048232-01-000	EA	Kit - Auto Air - 454 C.I.D. - Evans
	048230-01-000	EA	Kit - Auto Air - 350 C.I.D. - Evans
	033922-01-000	EA	Evaporator - Air Conditioner
	033932-01-000	EA	Valve - Expansion
	033938-01-000	EA	Core - Heater
	035459-01-701	EA	Blower Asm. - 3 Speed w/Motor
	033926-01-000	EA	Cold Control
	035459-01-704	EA	Resistor - Evans Heater
	048217-01-000	EA	Switch - 3 Speed Evans - Fan
	033933-01-000	EA	Compressor - Auto Air - Evans
	033855-01-000	EA	Condenser - Radiator Mount - Evans
	033854-01-000	EA	Receiver Drier
	033934-01-000	EA	Clutch - Compressor - Evans
**	003135-01-000	EA	Furnace - Coleman - 23,000 B.T.U. - 4023
**	003136-01-000	EA	Furnace - Coleman - 28,000 B.T.U. - 4028
**	003140-01-000	EA	Furnace - Coleman - 30,000 B.T.U. - 4030
**	041603-01-000	EA	Furnace - Coleman - 23,000 B.T.U. - 4225
**	041604-01-000	EA	Furnace - Coleman - 28,000 B.T.U. - 4230
**	041605-01-000	EA	Furnace - Coleman - 31,000 B.T.U. - 4235
**	003119-01-000	EA	Furnace - Suburban - 16,000 B.T.U. - NT16
**	003126-01-000	EA	Air Conditioner Asm. - Roof Mount - 10,000 BTU Mach I - Coleman w/o Inside Shroud
**	031880-01-000	EA	Air Conditioner Asm. - Roof Mount - 13,500 BTU Mach III - Coleman w/o Inside Shroud
**	049777-01-000	EA	Air Conditioner - Roof Mount - Ivory - 11,000 BTU Coleman - w/o Inside Shroud
**	049774-01-000	EA	Air Conditioner - Roof Mount - Ivory - 13,500 BTU Coleman - w/o Inside Shroud
**	041738-01-000	EA	Shroud Asm. - Air Conditioner - Inside Ceiling Cool Only - Mach I or Mach III
**	049778-01-000	EA	Shroud Asm. - Air Conditioner - Inside Ceiling Cool Only - 11,000 BTU - Ivory
**	049775-01-000	EA	Shroud Asm. - Air Conditioner - Inside Ceiling Cool Only - 13,500 BTU - Ivory
**	049776-01-000	EA	Shroud Asm. - Air Conditioner - Inside Ceiling Heat and Cool - 13,500 BTU - Ivory

**The illustrated parts breakdown for this item is provided on the Common Items Fiche.

1975 ITASCA TABLE OF CONTENTS

Introduction	A-1
Abbreviations	A-1
Alphabetical Index	A-2 - A-4
C24C	A-5 - B-12
C25A	B-13 - D-2
C27A	D-3 - E-16
C27AL	E-17 - G-6

1975 C27A INDEX

Floor Plan	D-3 - D-4
Accessories Group	D-5 - D-6
Bath Group	D-7
Chassis Group	D-8 - D-9
Curtain, Cushion & Pad Group	D-10 - D-12
Dinette Group	D-13
Driver's Compartment Group	D-13 - D-14
Electrical Group	D-15 - D-16
Exterior Body Group	D-17 - D-20
Galley Group	D-21
Heating & Air Conditioning Group	D-22
Interior Finish Group	D-23 - D-24
LP Group	E-1
Lounge Group	E-2
Water & Sewage Group	E-3
Window, Vent & Exterior Door Group	E-4 - E-16

INTERIOR FINISH GROUP

PANELING AND COUNTERTOP MATERIALS

Key	Part Number	U/M	Description
	024951-01-000	SF	Panel - Bath Wall - White
	039188-01-000	SF	Veneer - 707 Hickory - 48" x 96"
	000720-02-000	SF	Veneer - White Stucco - 48" x 96"
	037682-01-000	SF	Plastic Laminate - 48" x 96" - Butcher Block
	033204-01-000	SF	Plastic Laminate - 48" x 96" - Antique Leather
	009814-06-000	FT	T-Molding - Butcher Block
	000726-06-000	EA	Batt Strip - 707 Hickory
	000724-01-000	EA	Batt Strip - White Stucco

FABRICS AND CARPET

Key	Part Number	U/M	Description
	039780-01-000	YD	Fabric - Upholstery/Valance - Rust
	039780-02-000	YD	Fabric - Upholstery/Valance - Blue
	039781-01-000	YD	Fabric - Drapery - Flax
	024918-03-000	YD	Vinyl - Oxen Tan
	039176-01-000	YD	Vinyl - Sultana Brown
	024913-03-000	SY	Carpet - Autumn Leaves - Rust
	037678-03-000	SY	Carpet - Coral Palms 511 - Brown

INTERIOR MOLDINGS AND TRIMS

Key	Part Number	U/M	Description
	009779-01-000	FT	U-Channel - 1 1/8" - Brown - Plastic
	009778-01-000	FT	U-Channel - 1" - Brown - Plastic
	009780-01-000	FT	U-Channel - 1 1/4" - Brown - Plastic
	039512-01-000	EA	Cover - Hat Section - White
	039512-02-000	EA	Cover - Hat Section - 707 Hickory
	040025-01-000	EA	Cover - Corner - Hat Section
	024700-03-000	EA	Cover - Sidewall - Roll Bar - White
	024700-04-000	EA	Cover - Sidewall - Roll Bar - 707 Hickory
	040026-01-000	EA	Cover - Corner - Hat Section/Tube
	022755-01-000	EA	Cover - Control - Panel - Plastic
	034689-01-000	EA	Cover - Screw - 10 PPH - Plastic - White
	034113-01-000	EA	Cover - Corner - Support Bar - Brown
	009767-01-000	FT	Wiring - Cabinets - Brown
	009812-03-000	FT	Molding - Plastic Corner - Outside - .50"
	009814-06-000	FT	T-Molding - Tan Butcher Block
	022992-01-000	FT	Molding - Reverse Cove - White
	033535-03-000	FT	Molding - Shelf - 707 Hickory

INTERIOR FINISH GROUP (CONTINUED)

CURTAIN HARDWARE

Key	Part Number	U/M	Description
	052327-04-236	EA	Curtain Track - Alum. - Brown - 89" w/Holes Replaces 009108-01-000 - Marine Track
	009107-01-000	EA	Guide - Nylon - Snap - Curtain
	018031-42-000	EA	Track - Curtain - "L" Rod - Alum. - 90"
	009701-01-000	EA	Carrier w/Rollers - "L" Rod
	009702-01-000	EA	End Stop - Curtain - "L" Rod w/Rollers
	035429-07-000	EA	Track - Curtain - Front Right
	035429-08-000	EA	Track - Curtain - Front Left
	029100-01-000	EA	Hook - Pin - Curtain
	009217-01-001	EA	Bracket - Curtain Shade - Left
	009217-01-002	EA	Bracket - Curtain Shade - Right
	009220-01-000	EA	Rod - Curtain - Flat - Extends - 18" - 28"
	029155-01-000	EA	Cap - Snap - .156" Dia. x .17" Barrel
	029156-01-000	EA	Socket - Snap Fastener

CABINETS AND TABLE HARDWARE

Key	Part Number	U/M	Description
	043118-01-000	EA	Kit - Cabinet Door Latch
	043116-01-000	EA	Kit - Drawer Pull
	043117-01-000	EA	Kit - Cabinet Door Hinge
	009047-01-000	EA	Support - Overhead Door
	003112-01-000	EA	Flange - 1" Rod - Chrome - Wardrobe
	047842-01-000	EA	Kit - Dinette Table Leg
	047809-01-000	EA	Kit - Dinette Hardware - Wall Mount

MISCELLANEOUS PARTS

Key	Part Number	U/M	Description
	041944-01-700	EA	Extinguisher - Fire - w/Bracket - Dry Chemical
	006090-01-000	EA	Wastebasket - 11 5/8" x 8" x 12" - Green
	006091-01-000	EA	Tray - Cutlery - Gold
	006123-01-000	EA	Cap - Gaucho Rail - Left
	006124-01-000	EA	Cap - Gaucho Rail - Right
	009084-01-000	EA	Mirror - Inside - 1/8" x 11" x 16"
	006098-01-000	EA	Mirror - Inside - 1/8" x 9" x 16" - Beveled
	009095-01-000	EA	Mirror - Inside - 1/8" x 12" x 42" - Beveled
	009089-01-000	EA	Clip - Mirror - Plastic - w/Screw
	007019-01-000	EA	Belt Assembly - Seat - 2" x 84" - Black
	007021-01-000	EA	Belt Asm. - Seat - 2" x 90" - Black
	007022-01-000	EA	Belt Asm. - Seat - 2" x 60" - Black
	023680-01-000	EA	Bracket - Seat Belt
	041322-01-000	EA	Washer - Flat - 15/32" I.D. x 2 3/8" O.D. - Seat Belt
	024730-01-000	EA	Grille - Plastic - 12.4" x 5.9" - Brown - Furnace Duct
	024985-01-000	EA	Register - Heat - w/Damper - 9 9" x 4.8"
	009169-01-000	EA	Grille - Plastic - 15.7" x 17.1" - Brown - Furnace

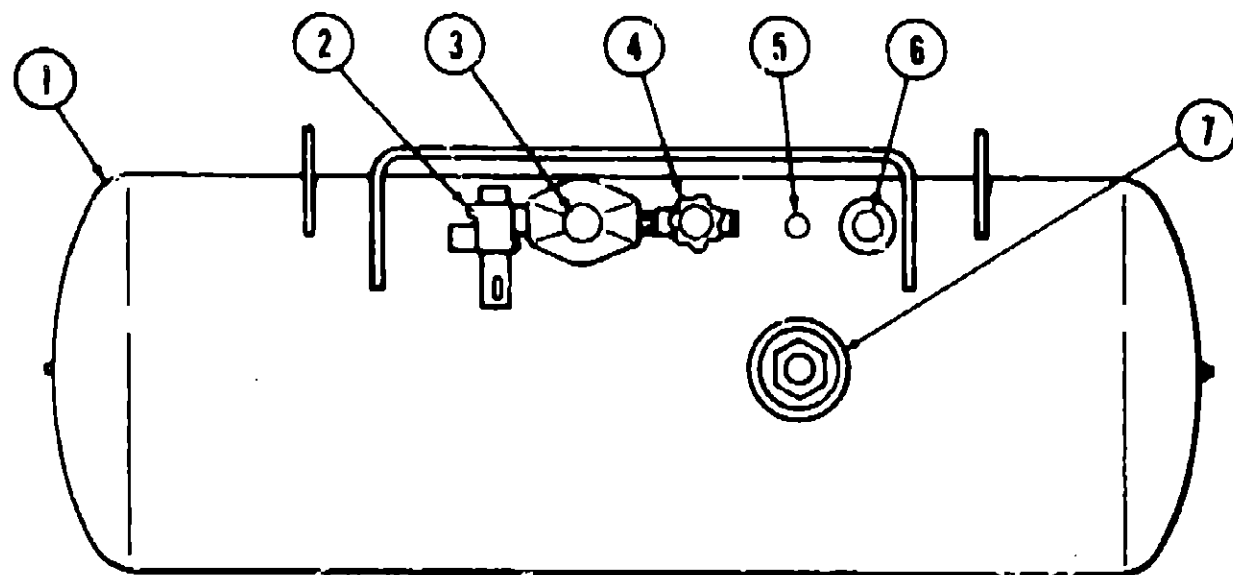
**1975 ITASCA
TABLE OF CONTENTS**

Introduction	A-1
Abbreviations	A-1
Alphabetical Index	A-2 - A-4
C24C	A-5 - B-12
C25A	B-13 - D-2
C27A	D-3 - E-16
C27AL	E-17 - G-6

1975 C27A INDEX

Floor Plan	D-3 - D-4
Accessories Group	D-5 - D-8
Bath Group	D-7
Chassis Group	D-8 - D-9
Curtain, Cushion & Pad Group	D-10 - D-12
Dinette Group	D-13
Driver's Compartment Group	D-13 - D-14
Electrical Group	D-15 - D-16
Exterior Body Group	D-17 - D-20
Galley Group	D-21
Heating & Air Conditioning Group	D-22
Interior Finish Group	D-23 - D-24
LP Group	E-1
Lounge Group	E-2
Water & Sewage Group	E-3
Window, Vent & Exterior Door Group	E-4 - E-16

LP GROUP



Key	Part Number	U/M	Description
1	040421-01-000	EA	Tank - LP - Frame Mount - 83 Pound
2	047221-01-000	EA	Detector - LP Gas Leak
3	024712-01-000	EA	Cover - LP Regulator
•	052163-01-000	EA	Regulator - Manual - LP Gas - 2 Stage
4	040421-01-703	EA	Valve - Vapor Relief
5	040421-01-700	EA	Gauge - Liquid Level - 20% LP
6	040421-01-701	EA	Valve - Filler - LP
•	040421-01-702	EA	Cap - Plastic Fill Valve
7	040421-01-707	EA	Gauge - Float w/Visible Dial
•	040421-01-704	EA	Gauge - Float w/Electrical Transmitter Dial
•	040421-01-706	EA	Dial - Visible Face
•	040421-01-705	EA	Dial - Transmitter - 0-90 Ohm
•	045703-03-000	EA	Hose Asm. - LP - 3/8" I.D. x 14"
•	047737-02-000	EA	Support - LP Tank - 89.25"
•	047737-03-000	EA	Support - LP Tank - 30.50"
•			Not Illustrated

LOUNGE GROUP

Key	Part Number	U/M	Description
	040912-01-700	EA	Door Asm. - Wardrobe Cabinet - 16 5/8" x 42 1/2" - w/o Hardware
	040869-01-000	EA	Cabinet Asm. - Bed - Right
	040868-01-000	EA	Cabinet Asm. - Bed - Left
	040865-01-700	EA	Cabinet Asm. - Wet Bar - w/o Countertop, Doors or Hardware
	040865-01-701	EA	Countertop Asm. - Wet Bar - Antique Leather
	040865-01-702	EA	Door Asm. - Wet Bar - 10 1/2" x 25 3/4" w/o Hardware
	040861-01-700	EA	Cabinet Asm. - Wet Bar Overhead - w/o Doors or Hardware
	040861-01-701	EA	Door Asm. - Wet Bar Overhead Cabinet - 10 1/2" x 22" w/o Hardware
	040925-01-000	EA	Holder - Bottle - Stainless Steel - Wet Bar
	040909-01-700	EA	Cabinet Asm. - Left Rear Overhead w/o Doors or Hardware
	040909-01-701	EA	Door Asm. - Left or Right Rear Overhead Cabinet 17" x 10" w/o Hardware
	040909-02-700	EA	Cabinet Asm. - Right Rear Overhead w/o Doors or Hardware
	041074-01-700	EA	Cabinet Asm. - Rear Overhead (Lounge w/o Rear Bunk) w/o Doors or Hardware
	041074-01-701	EA	Door Asm. - Rear Overhead Cabinet (Lounge w/o Rear Bunk) 27" x 10" - w/o Hardware
	041073-01-700	EA	Cabinet Asm. - Rear Overhead (Lounge w/Rear Bunk) w/o Doors or Hardware
	041073-01-701	EA	Door Asm. - Rear Overhead Cabinet (Lounge w/Bunk) 36 7/8" x 10" w/o Hardware
	040910-01-700	EA	Cabinet Asm. - Nightstand - w/o Countertop, Drawer or Hardware
	040910-01-701	EA	Countertop Asm. - Nightstand - Antique Leather
	040910-01-702	EA	Drawer Asm. - Nightstand Cabinet - 20 1/2" x 6 3/8" - w/o Hardware

1975 ITASCA TABLE OF CONTENTS

Introduction	A-1
Abbreviations	A-1
Alphabetical Index	A-2 - A-4
C24C	A-5 - B-12
C25A	B-13 - D-2
C27A	D-3 - E-16
C27AL	E-17 - G-6

1975 C27A INDEX

Floor Plan	D-3 - D-4
Accessories Group	D-5 - D-6
Bath Group	D-7
Chassis Group	D-8 - D-9
Curtain, Cushion & Pad Group	D-10 - D-12
Dinette Group	D-13
Driver's Compartment Group	D-13 - D-14
Electrical Group	D-15 - D-16
Exterior Body Group	D-17 - D-20
Galley Group	D-21
Heating & Air Conditioning Group	D-22
Interior Finish Group	D-23 - D-24
LP Group	E-1
Lounge Group	E-2
Water & Sewage Group	E-3
Window, Vent & Exterior Door Group	E-4 - E-16

WATER AND SEWAGE GROUP

PLUMBING REPAIR PARTS

Key	Part Number	U/M	Description
	010201-01-000	EA	Hose - Sewer - 3" x 10' w/Clamp
	010205-01-000	EA	Valve - Sanitary - Thetford 3XB
	010234-01-000	EA	Bayonet - Sewer Hose - Plastic
	010235-01-000	EA	Cap - Sewage - 3" - Plastic
	010236-01-000	EA	Adaptor - 3" Sewage Hose
	011066-01-000	EA	P-Trap - 1 1/4" Plastic
	011091-01-000	EA	Waste - Continuous - Double Sink - 11 7/8"
	011005-01-000	EA	Spout - Water Fill w/Gauge
	710066-01-000	EA	Gauge - Water Fill Spout
	011024-01-000	EA	Sending Unit - Water Tank - 5 Wire
	039861-01-000	EA	Sending Unit Kit - Holding Tank
	011001-01-001	EA	Compressor - Air - 12 Volt - PAR - 7000K
	014020-01-000	QT	Cement - ABS - Plastic Pipe Fittings
	016524-01-000	EA	Kit - Plastic Fittings for Holding Tanks
	011002-01-000	EA	Compressor - Air - 12 Volt - Intercompressor FX
	041278-02-000	EA	Water Pump - 3.7 G.P.M. - PAR
	041279-02-000	EA	Water Pump - 2.8 G.P.M. - PAR
	041256-01-000	EA	Accumulator Tank - Air - PAR
	046524-02-000	EA	Kit - Plastic Fittings for Plastic Water Tanks
	039818-01-000	EA	Riser Asm. - 3/8" x 24" - Plastic Tube
	039818-02-000	EA	Riser Asm. - 3/8" x 36" - Plastic Tube
	039818-03-000	EA	Riser Asm. - 3/8" x 18" - Plastic Tube
	039818-04-000	EA	Riser Asm. - 3/8" x 72" - Plastic Tube
	039818-05-000	EA	Riser Asm. - 3/8" x 48" - Plastic Tube

WATER HEATERS

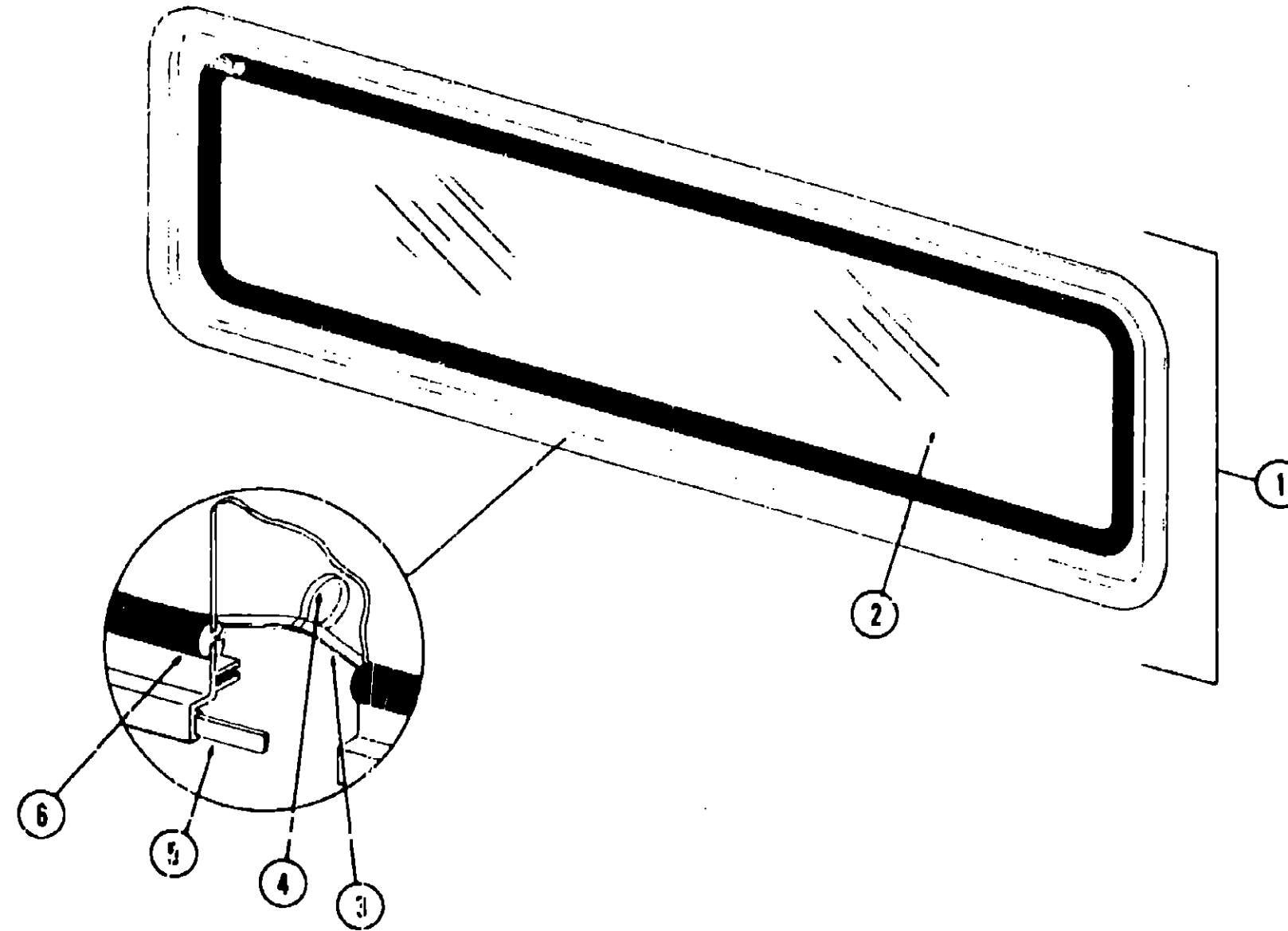
Key	Part Number	U/M	Description
**	031952-01-000	EA	Water Heater - G6A2 (w/o Motor Aid)
**	051391-01-000	EA	Water Heater - G6A3 (w/o Motor Aid)
**	031992-01-000	EA	Water Heater - GH6 (w/Motor Aid)
**	051392-01-000	EA	Water Heater - GH63 (w/Motor Aid)

**The illustrated parts breakdown for this item is provided on the Common Items Fiche.

WATER AND SEWAGE HOLDING TANKS

Key	Part Number	U/M	Description
	031434-01-000	EA	Tank Asm. - Holding - 35 Gallon - w/Fittings - Main
	014903-01-000	EA	Tank Asm. - Holding - 35 Gallon - w/o Fittings - Aux.
	039993-01-000	EA	Tank Asm. - Holding - 21 Gallon - w/Fittings - Aux.
	039938-01-000	EA	Tank Asm. - Holding - 21 Gallon - w/o Fittings - Aux.
	016724-01-000	EA	Tank - Water - Galvanized - 14" Dia. - 40.25 Gallon
	016727-01-000	EA	Tank - Water - Galvanized - 12" Dia. - 56.27 Gallon

WINDOW, VENT AND EXTERIOR DOOR GROUP



Key	Part Number	U/M	Description
1	020754-03-000	EA	Window Asm. - Escape - 23" x 68" Black Anod. (w/o Inside Frame)
2	002178-01-000	EA	Glass - 1/8" x 19.61" x 64.80"
3	002285-01-000	FT	Weatherstrip - Filler - Black
4	000395-01-000	EA	Slip Ring - Pull
5	001263-01-000	FT	Tape - Foam - 3/16" x 1/2" - Gray
6	002282-01-000	FT	Weatherstrip - Window - .125" - Black
*	020753-01-000	EA	Frame - Window - Inside - Escape - 23" x 68" (not included in assembly)
*	00E199-01-000	EA	Label - Exit - Escape Window
*	Not Illustrated		

1975 ITASCA TABLE OF CONTENTS

Introduction	A-1
Abbreviations	A-1
Alphabetical Index	A-2 - A-4
C24C	A-5 - B-12
C25A	B-13 - D-2
C27A	D-3 - E-16
C27AL	E-17 - G-6

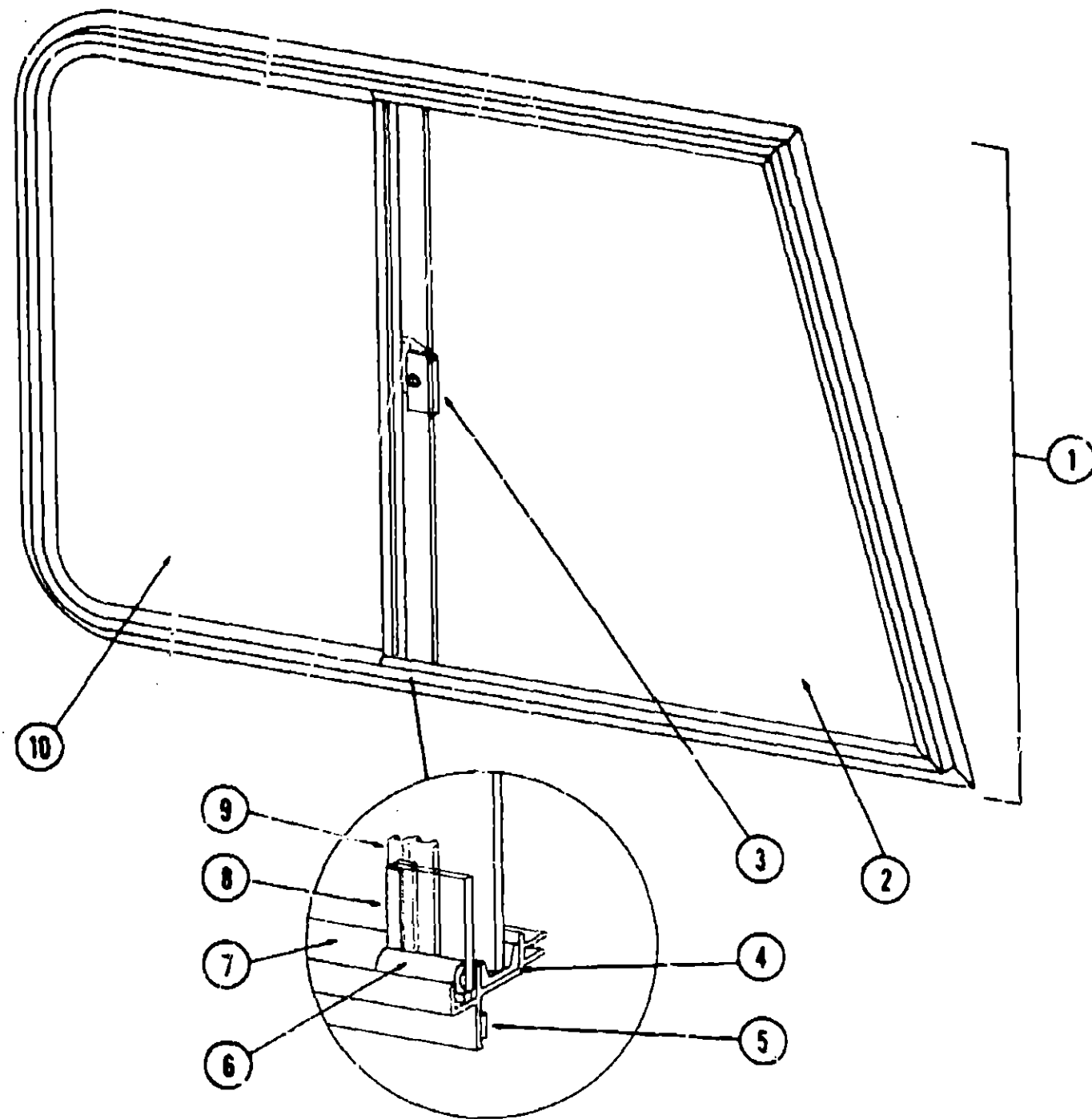
1975 C27A INDEX

Floor Plan	D-3 - D-4
Accessories Group	D-5 - D-6
Bath Group	D-7
Chassis Group	D-8 - D-9
Curtain, Cushion & Pad Group	D-10 - D-12
Dinette Group	D-13
Driver's Compartment Group	D-13 - D-14
Electrical Group	D-15 - D-16
Exterior Body Group	D-17 - D-20
Galley Group	D-21
Heating & Air Conditioning Group	D-22
Interior Finish Group	D-23 - D-24
LP Group	E-1
Lounge Group	E-2
Water & Sewage Group	E-3
Window, Vent & Exterior Door Group	E-4 - E-16

WINDOW, VENT AND EXTERIOR DOOR GROUP (CONTINUED)

WINDOW, VENT AND EXTERIOR DOOR GROUP (CONTINUED)

Key	Part Number	U/M	Description
1	048828-06-000	EA	Window Asm. - Left - Front Slanted Slider - 25" x 38" Black Anod. w/Plastic Latch (w/o Inside Frame)
•	048828-07-000	EA	Window Asm. - Right - Front Slanted Slider - 25" x 38" Black Anod. w/Plastic Latch (w/o Inside Frame)
2	039190-01-000	EA	Glass - 3/16" x 24" x 14.12" x 25" - Stationary
3	047389-01-700	EA	Latch Asm. - Plastic w/Fastener
•	023275-01-000	EA	Latch Asm. - Aluminum
4	042077-01-000	FT	Weatherstrip - Channel - Glass Run - 3/16" - Glass
5	004363-01-000	FT	Tape - Foam - 3/16" x 1/2" - Gray
6	050218-02-000	FT	Spline - 3/16" Glass - Black
•	002318-02-000	FT	Spline - Glass 3/16" - Black (Window w/Plastic Latch)
•	002318-02-000	FT	Spline - Glass 3/16" - Black (Window w/Aluminum Latch)
7	041982-01-000	FT	Seal - Window Channel - Black (Window w/Plastic Latch)
•	002283-02-000	FT	Seal - Window Channel - Black (Window w/Aluminum Latch)
8	002389-03-201	EA	Holder - Glass Seal - Black
9	041894-04-000	EA	Mullion - Slider Window - 25" - Black Anod. (Window w/Plastic Latch)
•	037868-04-000	EA	Mullion - Slider Window - 25" - Black Anod. (Window w/Aluminum Latch)
10	047818-01-000	EA	Glass - 3/16" x 24" x 15" - Sliding (Window w/Plastic Latch)
•	039189-01-000	EA	Glass - 3/16" x 24" x 15" - Sliding (Window w/Aluminum Latch)
•	049162-06-000	EA	Frame - Window - Inside - 25" x 38" - Right (Window w/Plastic Latch)
•	049162-05-000	EA	Frame - Window - Inside - 25" x 38" - Left (Window w/Plastic Latch)
•	037906-01-000	EA	Frame - Window - Inside - 25" x 38" - Right (Window w/Aluminum Latch)
•	037906-02-000	EA	Frame - Window - Inside - 25" x 38" - Left (Window w/Aluminum Latch)
•	023713-02-000	EA	Cover - Weephole - Black Plastic
•	Not Illustrated		



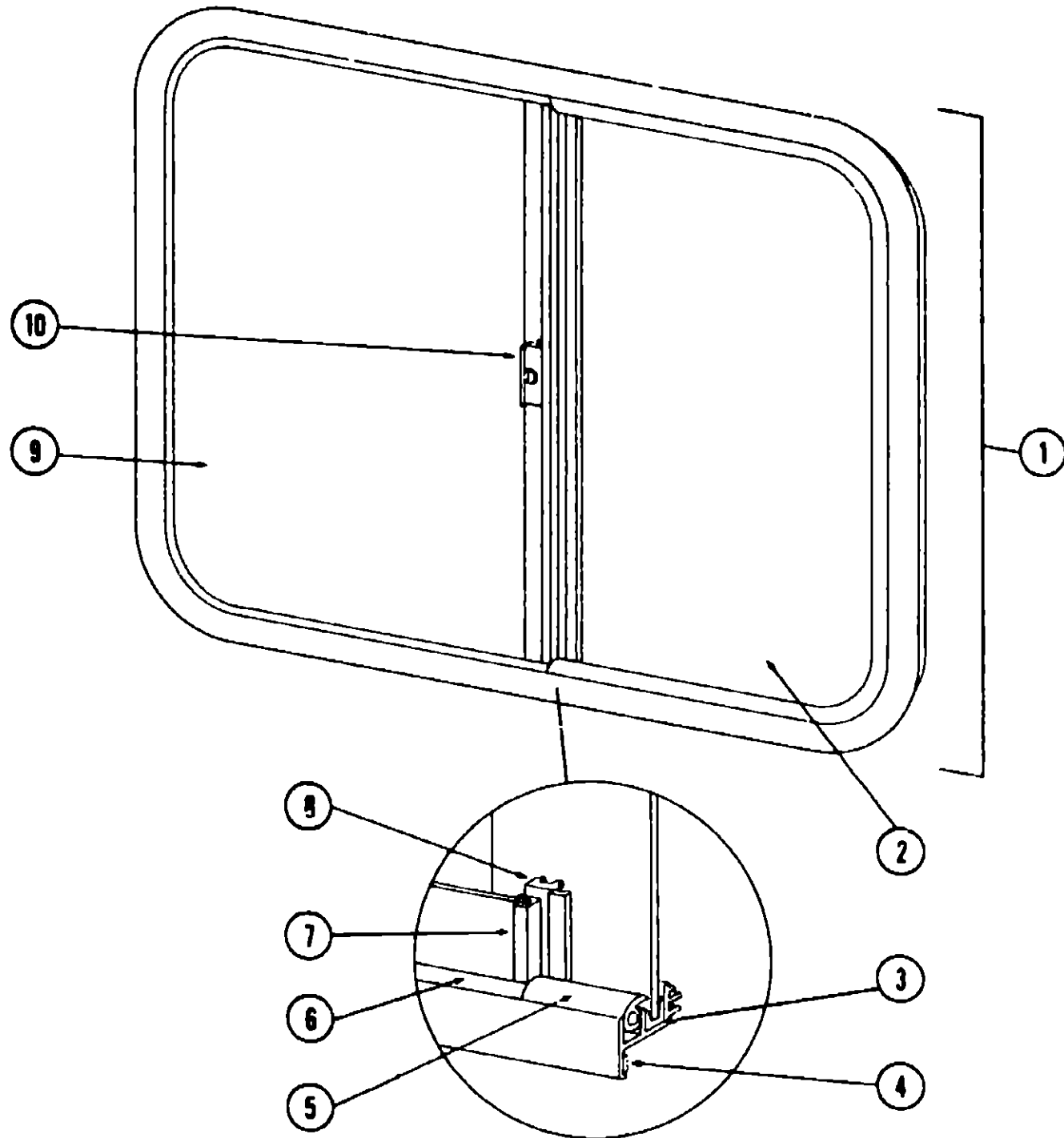
**1975 ITASCA
TABLE OF CONTENTS**

Introduction	A-1
Abbreviations	A-1
Alphabetical Index	A-2 - A-4
C24C	A-5 - B-12
C25A	B-13 - D-2
C27A	D-3 - E-16
C27AL	E-17 - G-8

1975 C27A INDEX

Floor Plan	D-3 - D-4
Accessories Group	D-5 - D-6
Bath Group	D-7
Chassis Group	D-8 - D-9
Curtain, Cushion & Pad Group	D-10 - D-12
Dinette Group	D-13
Driver's Compartment Group	D-13 - D-14
Electrical Group	D-15 - D-16
Exterior Body Group	D-17 - D-20
Galley Group	D-21
Heating & Air Conditioning Group	D-22
Interior Finish Group	D-23 - D-24
LP Group	E-1
Lounge Group	E-2
Water & Sewage Group	E-3
Window, Vent & Exterior Door Group	E-4 - E-16

Key	Part Number	U/M	Description
1	048631-19-000	EA	Window Asm. - Right Single Slider - 25" x 44" Black Anod. (w/o Inside Frame)
	048631-20-000	EA	Window Asm. - Left Single Slider - 25" x 44" Black Anod. (w/o Inside Frame)
2	002187-02-000	EA	Glass - 3/16" x 24" x 21.028" - Sliding w/o Holes Used w/Aluminum Latch
	047822-01-000	EA	Glass - 3/16" x 24" x 21.028" - Sliding w/Holes Used w/Plastic Latch
3	042077-01-000	FT	Channel - Weatherstrip - Glass Run
4	004363-01-000	FT	Tape - Foam - 3/16" x 1/2" - Gray
5	002309-02-000	FT	Spline - Glass - 1/8" - Black
6	002283-02-000	FT	Seal - Window Channel - Window w/Aluminum Latch
	041982-01-000	FT	Seal - Window Channel - Window w/Plastic Latch
7	018025-03-000	EA	Holder - Glass Seal - Anod. - Black
8	018014-05-000	EA	Mullion - Slider Window - Used w/Aluminum Latch
	041894-04-000	EA	Mullion - Slider Window - Used w/Plastic Latch
9	002183-02-000	EA	Glass - 3/16" x 24" x 23.491" - Stationary
10	047369-01-700	EA	Latch Asm. - Plastic
	023275-01-000	EA	Latch Asm. - Aluminum
	042147-04-000	EA	Inside Frame - 25" x 44" - Brown - Window w/Plastic Latch - Not Included in Asm.
	035275-04-000	EA	Inside Frame - 25" x 44" - Brown - Window w/Aluminum Latch - Not Included in Asm.
	023713-02-000	EA	Cover - Weephole - Black - Plastic
	041839-01-000	FT	Tape - Foam - Aluminum Window Latch
	002298-01-000	FT	Spline - Screen - .130" Dia. - Gray
	002293-01-000	SF	Screen - Window - 26" - Gray
			Not Illustrated



1975 ITASCA
TABLE OF CONTENTS

Introduction	A-1
Abbreviations	A-1
Alphabetical Index	A-2 - A-4
C24C	A-5 - B-12
C25A	B-13 - D-2
C27A	D-3 - E-16
C27AL	E-17 - G-6

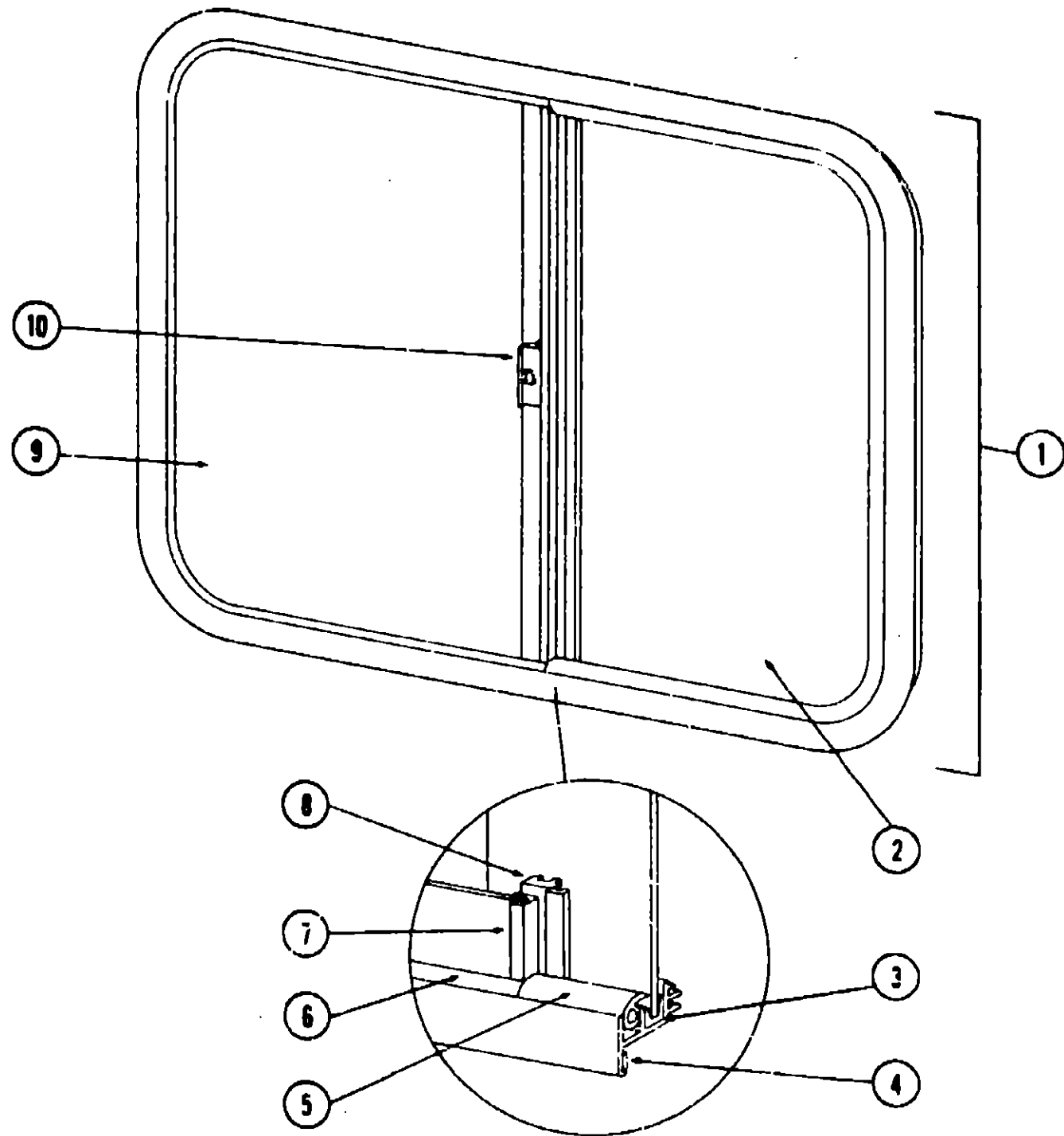
1975 C27A INDEX

Floor Plan	D-3 - D-4
Accessories Group	D-5 - D-6
Bath Group	D-7
Chassis Group	D-8 - D-9
Curtain, Cushion & Pad Group	D-10 - D-12
Dinette Group	D-13
Driver's Compartment Group	D-13 - D-14
Electrical Group	D-15 - D-16
Exterior Body Group	D-17 - D-20
Galley Group	D-21
Heating & Air Conditioning Group	D-22
Interior Finish Group	D-23 - D-24
LP Group	E-1
Lounge Group	E-2
Water & Sewage Group	E-3
Window, Vent & Exterior Door Group	E-4 - E-16

WINDOW, VENT AND EXTERIOR DOOR GROUP (CONTINUED)

WINDOW, VENT AND EXTERIOR DOOR GROUP (CONTINUED)

Key	Part Number	U/M	Description
1	048631-03-000	EA	Window Asm. - Right Single Slider - 20" x 25" - Black Anod. w/Plastic Latch (w/o Inside Frame)
2	047820-01-000	EA	Glass - Sliding - 1/8" x 19" x 13.68" (Window w/Plastic Latch)
	002240-01-000	EA	Glass - Sliding - 1/8" x 19" x 13.68" (Window w/Aluminum Latch)
3	002324-01-000	FT	Channel - Weatherstrip - Glass Run - 1/8" Glass
4	004363-01-000	FT	Tape - Foam - 1/2" x 3/16" - Gray
5	024096-02-000	FT	Seal - Window Channel - Black (Window w/Plastic Latch)
	002283-02-000	FT	Seal - Window Channel - Black (Window w/Aluminum Latch)
6	002309-02-000	FT	Spline - Glass - 1/8" - Black
7	018025-03-000	EA	Holder - Glass Seal - Black
8	041894-02-000	EA	Mullion - Slider Window - 23" - Black (Window w/Plastic Latch)
	018014-04-000	EA	Mullion - Slider Window - 23" - Black (Window w/Aluminum Latch)
9	002241-02-000	EA	Glass - 1/8" x 12.30" x 19" - Stationary
10	047369-01-700	EA	Latch - Window - Plastic - w/rastener
	023275-01-000	EA	Latch - Window - Aluminum
	002296-01-000	FT	Spline - Screen - .130" Dia. - Gray
	002293-01-000	SF	Screen - Window - 26" - Gray
	042147-05-000	EA	Frame - Window - Inside - 20" x 25" - Brown (Window w/Plastic Latch)
	035929-03-000	EA	Frame - Window - Inside - 20" x 25" - Brown (Window w/Aluminum Latch)
	023713-02-000	EA	Cover - Weephole - Black Plastic
	Not Illustrated		



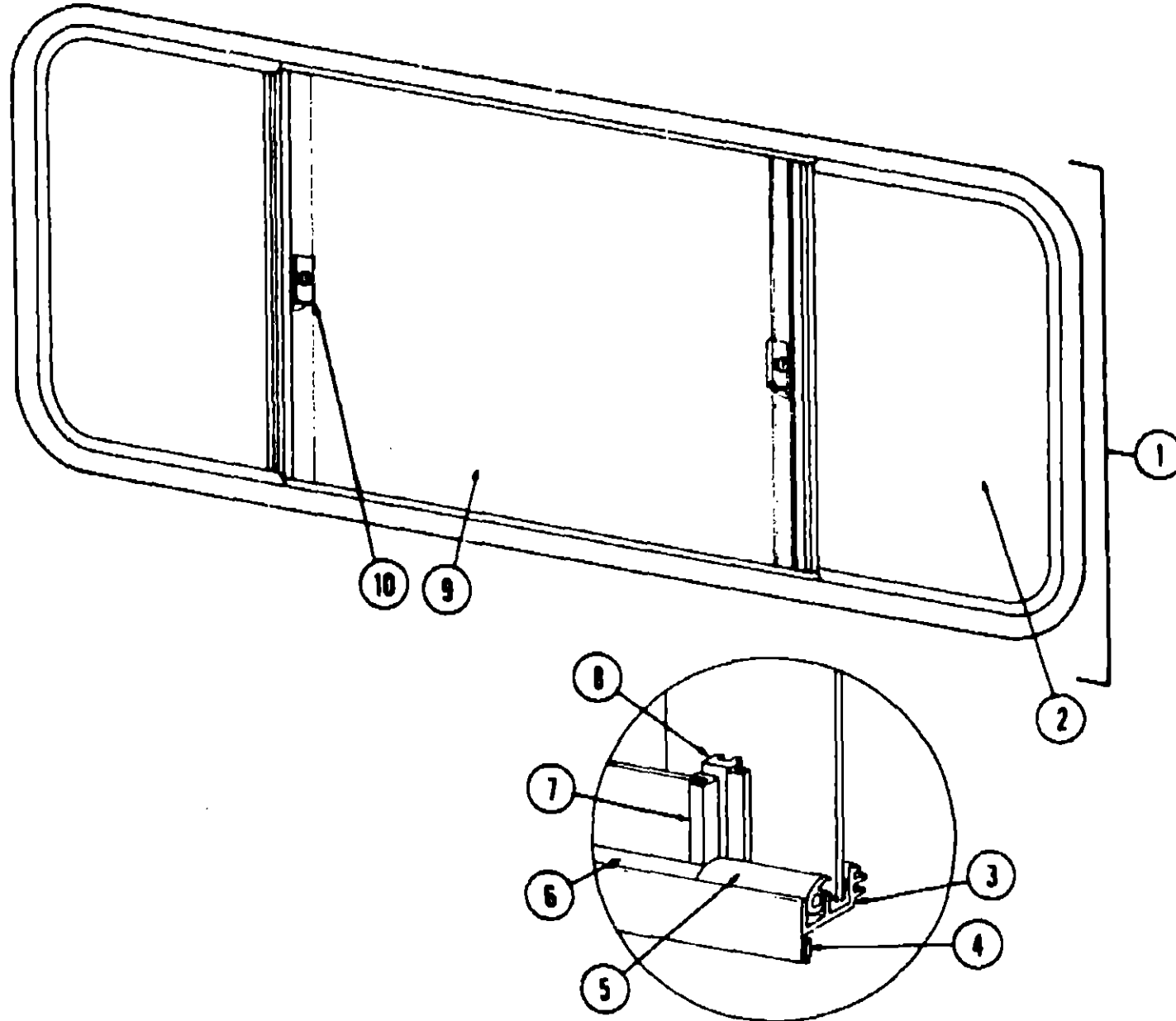
**1975 ITASCA
TABLE OF CONTENTS**

Introduction	A-1
Abbreviations	A-1
Alphabetical Index	A-2 - A-4
C24C	A-5 - B-12
C25A	B-13 - D-2
C27A	D-3 - E-16
C27AL	E-17 - G-6

1975 C27A INDEX

Floor Plan	D-3 - D-4
Accessories Group	D-5 - D-6
Bath Group	D-7
Chassis Group	D-8 - D-9
Curtain, Cushion & Pad Group	D-10 - D-12
Dinette Group	D-13
Driver's Compartment Group	D-13 - D-14
Electrical Group	D-15 - D-16
Exterior Body Group	D-17 - D-20
Galley Group	D-21
Heating & Air Conditioning Group	D-22
Interior Finish Group	D-23 - D-24
LP Group	E-1
Lounge Group	E-2
Water & Sewage Group	E-3
Window, Vent & Exterior Door Group	E-4 - E-16

WINDOW, VENT AND EXTERIOR DOOR GROUP (CONTINUED)



Key	Part Number	U/M	Description
1	048630-08-000	EA	Window Asm. - Double Slider - 25" x 65" - Black Anod. w/Plastic Latch - w/o Inside Frame
2	047822-01-000	EA	Glass - 3/16" x 24" x 21.028" - Sliding w/Holes (Used w/Plastic Latch)
	002187-02-000	EA	Glass - 3/16" x 24" x 21.028" - Sliding w/o Holes (Used w/Aluminum Latch)
3	042077-01-000	FT	Channel - Weatherstrip - Glass Run - 3/16" Glass
4	004363-01-000	FT	Tape - Foam - 3/16" x 1/2" - Gray
5	011982-01-000	FT	Seal - Window Channel - 3/16" - Used w/Plastic Latch
	002283-02-000	FT	Seal - Window Channel - 3/16" - Used w/Aluminum Latch
6	050216-02-000	FT	Spline - Glass - 3/16" - Black
7	002389-03-203	EA	Holder - Glass Seal - Black Anod.
8	041894-04-000	EA	Mullion - Slider Window - 25" - Used w/Plastic Latch
	018014-05-000	EA	Mullion - Slider Window - Used w/Aluminum Latch
9	002188-02-000	EA	Glass - 3/16" x 24" x 25" - Stationary
10	047369-01-700	EA	Latch Asm. - Window - Plastic w/Fastener
	023275-01-000	EA	Latch Asm. - Window - Aluminum
	041839-01-000	FT	Tape - Foam - Aluminum Window Latch
	002298-01-000	FT	Spline - Screen - .130" Dia. - Gray
	002293-01-000	SF	Screen - Window - 26" - Gray
	023713-02-000	EA	Cover - Weephole - Black - Plastic
	042133-04-000	EA	Frame - Window - Inside - 25" x 65" - Used w/Plastic Latch
	035277-04-000	EA	Frame - Window - Inside - 25" x 65" - Used w/Aluminum Latch
			Not Illustrated

WINDOW, VENT AND EXTERIOR DOOR GROUP (CONTINUED)

WINDSHIELD

Key	Part Number	U/M	Description
	037455-02-000	EA	Frame Asm. - Windshield - w/o Glass
	034975-05-000	EA	Glass - Windshield - Safety Plate - Left or Right
	038494-02-000	EA	Trim - Windshield - Center - 26" - Black
	034784-03-002	EA	Trim - Windshield - Black - Top or Bottom - 90.75" Alum
	038900-01-000	EA	Cap - Tee - Plastic - Windshield - Top or Bottom
	038407-01-000	EA	Clip - Retaining - Windshield

VENTS

Key	Part Number	U/M	Description
	009407-01-000	EA	Vent Asm. - Refrigerator Roof - Frame w/o Plastic Cover
	039778-01-000	EA	Cover - Refrigerator - Plastic
	003213-03-000	EA	Vent - Stovehood - Outside - Off White - Strawsine
	003135-02-000	EA	Vent - Furnace - 4200 Series Coleman

ACCESS DOORS

Key	Part Number	U/M	Description
	019088-02-000	EA	Door Asm. - 9" x 10" - Off White Plastic - Left
	033641-02-000	EA	Door Asm. - 6 1/2" x 10.12" - Off White Plastic - Left
	037433-05-000	EA	Door Asm. - Generator - Off White
	037804-03-000	EA	Door Asm. - Battery - Off White
	037807-03-000	EA	Door Asm. - Refrigerator Access - Off White
	041330-01-000	EA	Door Asm. - Radius Trunk - Off White
	009009-01-000	EA	Lock - T Handle - Bent Core - Trunk Door
	037804-04-000	EA	Door Asm. - Luggage - Off White
	040597-01-000	EA	Door Asm. - LP - Off White
	039884-01-000	EA	Kit - Lock - Twist Type w/Clip
	047305-01-000	EA	Kit - Lock - Key Type w/Clip
	018547-02-000	EA	Door Asm. - 9" x 10" - Off White Plastic - Right

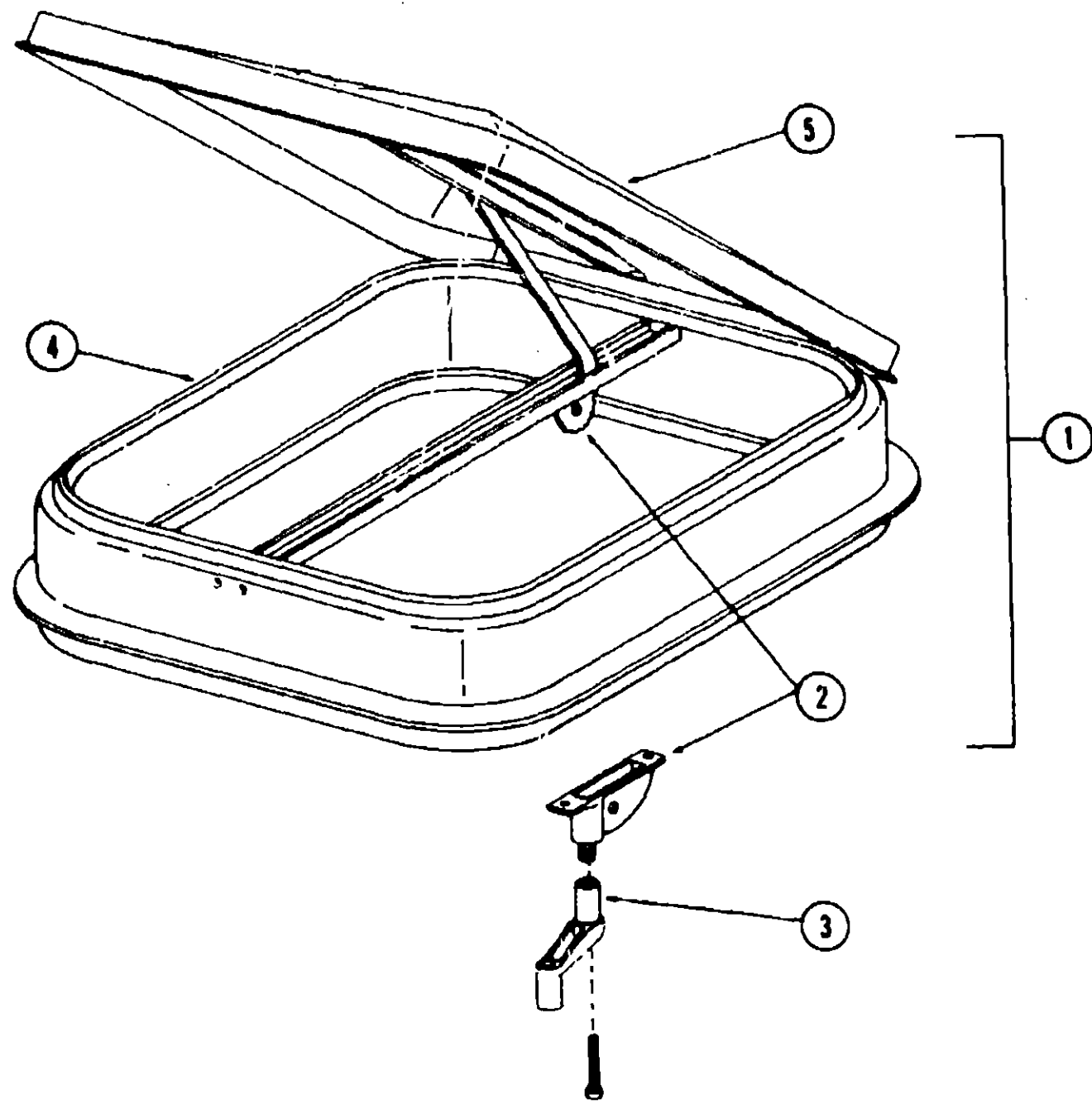
**1975 ITASCA
TABLE OF CONTENTS**

Introduction	A-1
Abbreviations	A-1
Alphabetical Index	A-2 - A-4
C24C	A-5 - B-12
C25A	B-13 - D-2
C27A	D-3 - E-16
C27AL	E-17 - G-6

1975 C27A INDEX

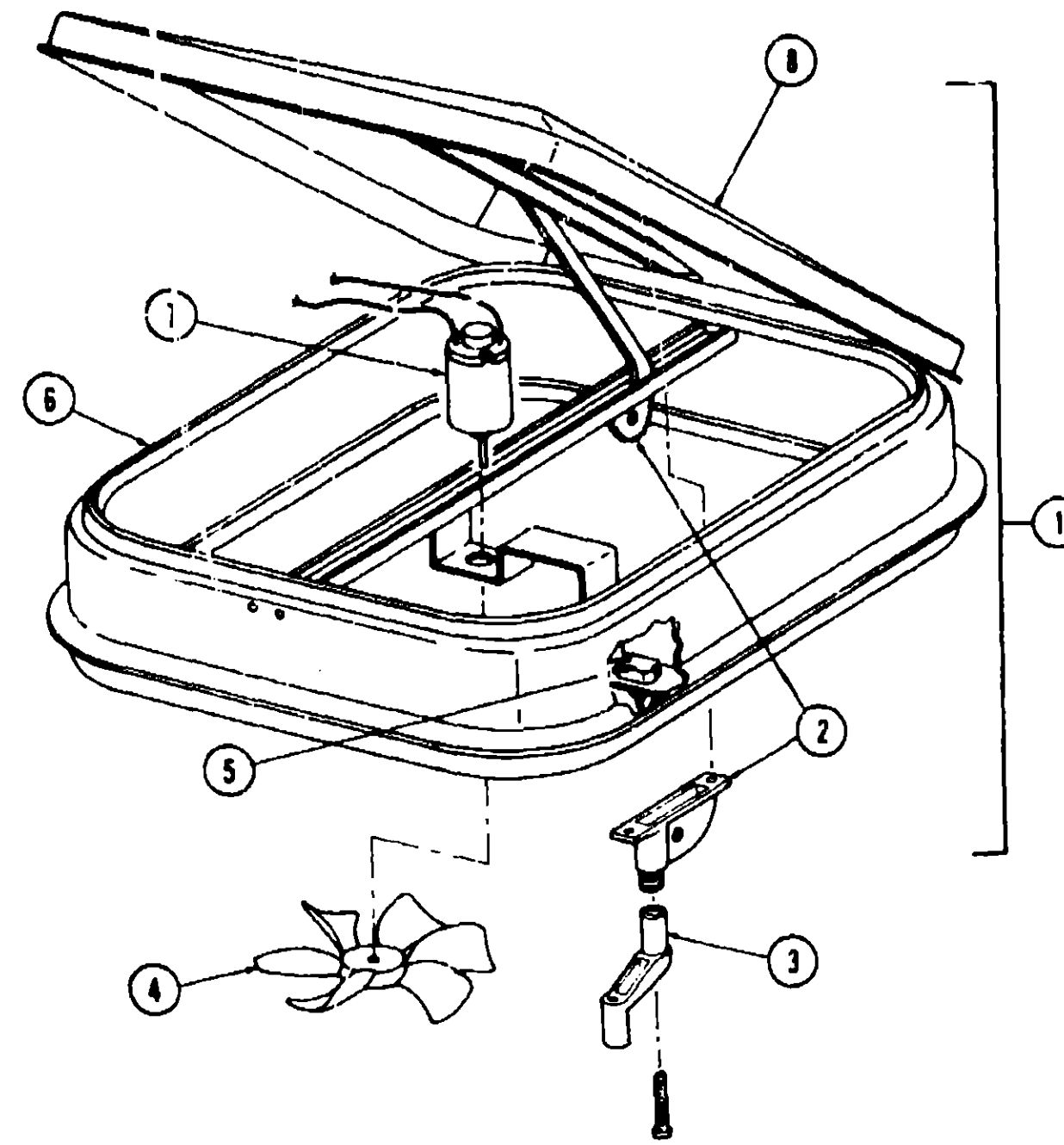
Floor Plan	D-3 - D-4
Accessories Group	D-5 - D-6
Bath Group	D-7
Chassis Group	D-8 - D-9
Curtain, Cushion & Pad Group	D-10 - D-12
Dinette Group	D-13
Driver's Compartment Group	D-13 - D-14
Electrical Group	D-15 - D-16
Exterior Body Group	D-17 - D-20
Galley Group	D-21
Heating & Air Conditioning Group	D-22
Interior Finish Group	D-23 - D-24
LP Group	E-1
Lounge Group	E-2
Water & Sewage Group	E-3
Window, Vent & Exterior Door Group	E-4 - E-16

WINDOW, VENT AND EXTERIOR DOOR GROUP (CONTINUED)



Key	Part Number	U/M	Description
1	048835-01-000	EA	Vent Asm. - Roof - Nonpowered - w/o Screen
2	009440-01-000	EA	Gear - Arm - Roof Vent
3	009439-01-000	EA	Crank - Roof Vent
4	002825-01-000	FT	Weatherstrip - Roof Vent
5	046825-01-000	EA	Cover - Plastic - Roof Vent
	016335-01-000	EA	Screen Asm. - Nonpowered Roof Vent - Clear Anod. (not included in assembly)
	016335-03-000	EA	Screen Asm. - Nonpowered Roof Vent - Beige (not included in assembly)
			Not Illustrated

WINDOW, VENT AND EXTERIOR DOOR GROUP (CONTINUED)



Key	Part Number	U/M	Description
1	048789-01-000	EA	Vent Asm. - Roof - Powered - w/o Screen
2	009440-01-000	EA	Gear - Arm - Roof Vent
3	009439-01-000	EA	Crank - Roof Vent
4	048649-01-000	EA	Fan - Blades - 6" - Plastic
	009442-01-000	EA	Fan - Blade - Aluminum
5	008195-01-000	EA	Switch - Push Button - 12 Volt
6	002825-01-000	FT	Weatherstrip - Roof Vent
7	048648-01-000	EA	Motor - 12 Volt (Vent w/Plastic Fan)
8	009441-01-000	EA	Motor - 12 Volt (Vent w/Aluminum Fan)
	046825-01-000	EA	Cover - Plastic - Roof Vent (Vent w/Plastic Fan)
	016336-01-000	EA	Cover - Plastic - Roof Vent (Vent w/Aluminum Fan)
	048695-01-000	EA	Screen Asm. - Powered Roof Vent - Clear Anod. Vent w/Plastic Fan (not included w/assembly)
	016337-01-000	EA	Screen Asm. - Powered Roof Vent - Clear Anod. Vent w/Aluminum Fan (not included w/assembly)
			Not Illustrated

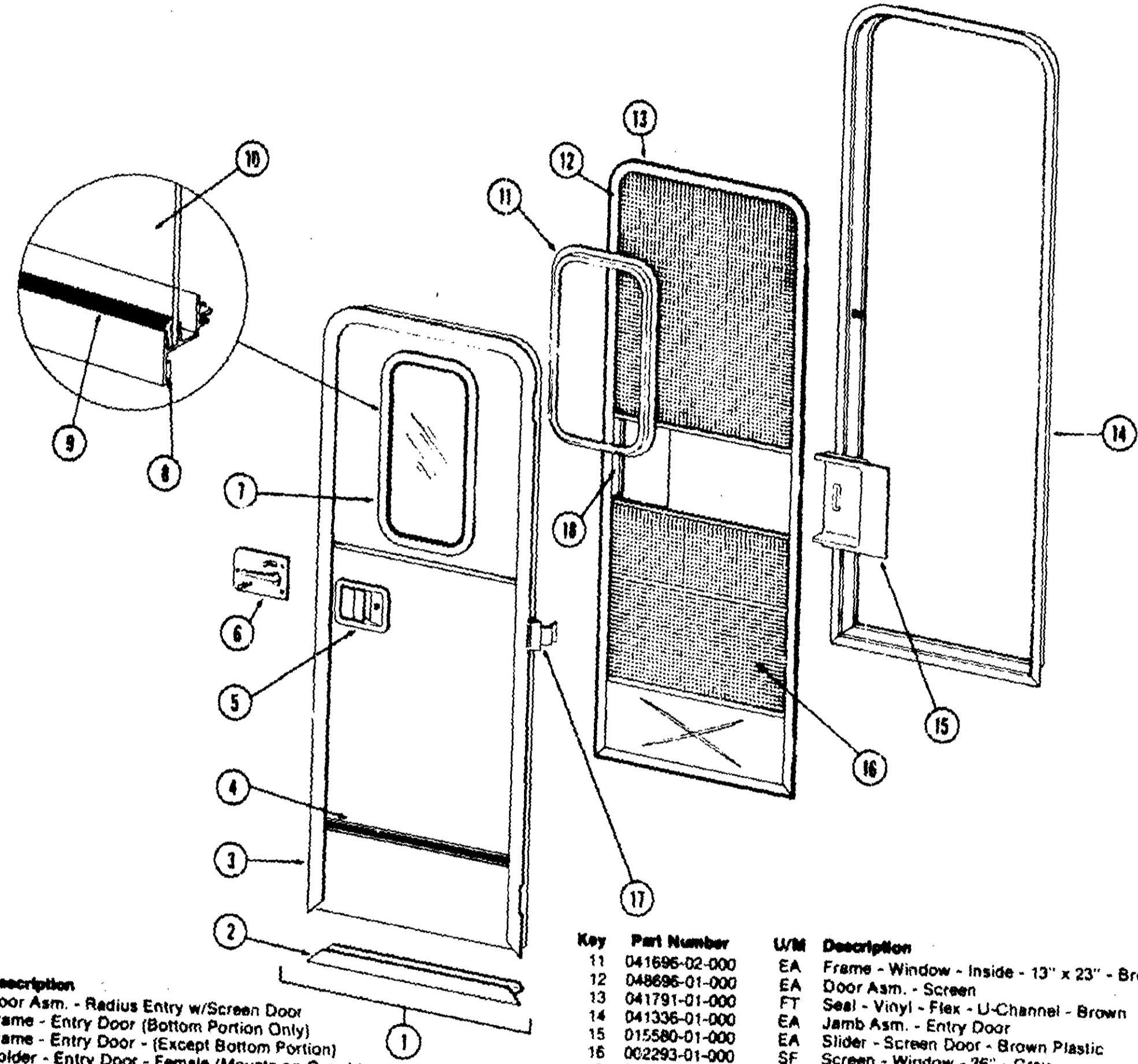
**1975 ITASCA
TABLE OF CONTENTS**

Introduction	A-1
Abbreviations	A-1
Alphabetical Index	A-2 - A-4
C24C	A-5 - B-12
C25A	B-13 - D-2
C27A	D-3 - E-16
C27AL	E-17 - G-6

1975 C27A INDEX

Floor Plan	D-3 - D-4
Accessories Group	D-5 - D-6
Bath Group	D-7
Chassis Group	D-8 - D-9
Curtain, Cushion & Pad Group	D-10 - D-12
Dinette Group	D-13
Driver's Compartment Group	D-13 - D-14
Electrical Group	D-15 - D-16
Exterior Body Group	D-17 - D-20
Galley Group	D-21
Heating & Air Conditioning Group	D-22
Interior Finish Group	D-23 - D-24
LP Group	E-1
Lounge Group	E-2
Water & Sewage Group	E-3
Window, Vent & Exterior Door Group	E-4 - E-16

WINDOW, VENT AND EXTERIOR DOOR GROUP (CONTINUED)



Key	Part Number	U/M	Description
1	039751-01-000	EA	Door Asm. - Radius Entry w/Screen Door
2	039737-01-000	EA	Frame - Entry Door (Bottom Portion Only)
3	039736-01-000	EA	Frame - Entry Door - (Except Bottom Portion)
4	009101-02-000	EA	Holder - Entry Door - Female (Mounts on Coach)
5	009102-01-000	EA	Holder - Entry Door 2 1/2" Male (Mounts on Door)
6	041948-01-000	EA	Kit - Radius Door - Lock - Complete
7	039541-01-000	EA	Lock Cylinder w/Keys
8	039539-01-000	EA	Striker - Entry Door Lock
9	039979-01-000	EA	Plate - Lock - Interior - Including Inside Handle
10	041875-02-000	EA	Window Asm. - Picture - 13" x 23" - Black Anod. (inside frame not included in assembly)
8	004363-01-000	FT	Tape - Foam - 3/16" x 1/2" - Gray
9	002309-02-000	FT	Spline - Glass - 1/8" Black
10	002181-01-000	EA	Glass - Picture Window - 1/8" x 12" x 22" - Gray

Key	Part Number	U/M	Description
11	041695-02-000	EA	Frame - Window - Inside - 13" x 23" - Brown
12	048695-01-000	EA	Door Asm. - Screen
13	041791-01-000	FT	Seal - Vinyl - Flex - U-Channel - Brown
14	041335-01-000	EA	Jamb Asm. - Entry Door
15	015580-01-000	EA	Slider - Screen Door - Brown Plastic
16	002293-01-000	SF	Screen - Window - 26" - Gray
17	039520-01-000	EA	Hinge - Entry Door (3 used per door)
18	015581-01-000	EA	Cap - Screen Door - Brown Plastic
	049176-01-000	EA	Hedlok II 3/4" Diameter - Screw Mount (Retains Screen Door to Entry Door)
	049797-01-000	EA	Hedlok II - 1" - Screw Mount (Retains Screen Door to Entry Door)
	018019-01-000	EA	Striker - Screen Door
	039863-01-000	EA	Catch Asm. - Single Roller w/Strike - Screen Door
	039740-01-000	FT	Seal - Jamb - Entry Door
	039800-03-000	FT	L.L.Bing - Polybutyl - 3/8" O.D. - Jamb
			Not Illustrated

E-13

1975 ITASCA TABLE OF CONTENTS

Introduction	A-1
Abbreviations	A-1
Alphabetical Index	A-2 - A-4
C24C	A-5 - B-12
C25A	B-13 - D-2
C27A	D-3 - E-16
C27AL	E-17 - G-8

1975 C27A INDEX

Floor Plan	D-3 - D-4
Accessories Group	D-5 - D-6
Bath Group	D-7
Chassis Group	D-8 - D-9
Curtain, Cushion & Pad Group	D-10 - D-12
Dinette Group	D-13
Driver's Compartment Group	D-13 - D-14
Electrical Group	D-15 - D-16
Exterior Body Group	D-17 - D-20
Galley Group	D-21
Heating & Air Conditioning Group	D-22
Interior Finish Group	D-23 - D-24
LP Group	E-1
Lounge Group	E-2
Water & Sewage Group	E-3
Window, Vent & Exterior Door Group	E-4 - E-16

E-14