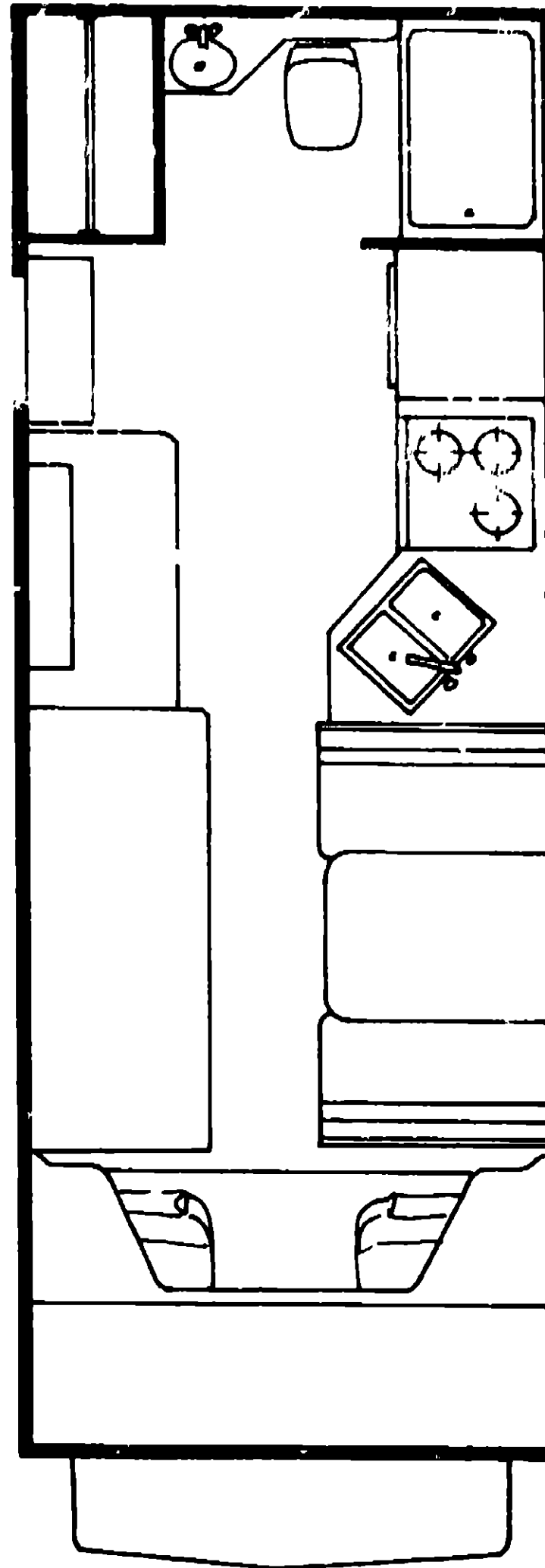


1975 C24C



1975 ITASCA TABLE OF CONTENTS

Introduction	A-1
Abbreviations	A-1
Alphabetical Index	A-2 - A-4
C24C	A-5 - B-12
C25A	B-13 - D-2
C27A	D-3 - E-16
C27AL	E-17 - G-6

1975 C24C INDEX

Floor Plan	A-5 - A-6
Accessories Group	A-7
Bath Group	A-8
Chassis Group	A-9 - A-10
Curtain, Cushion & Pad Group	A-11 - A-13
Dinette Group	A-14
Driver's Compartment Group	A-14
Electrical Group	A-15 - A-16
Exterior Body Group	A-17 - A-20
Galley Group	A-21
Heating & Air Conditioning Group	A-22
Interior Finish Group	A-23 - A-24
LP Group	B-1
Lounge Group	B-1
Water & Sewage Group	B-2
Window, Vent & Exterior Door Group	B-3 - B-12

ACCESSORIES GROUP

RADIOS AND RELATED HARDWARE

Key	Part Number	U/M	Description
	007004-01-000	EA	Antenna - Radio - Cab Mount
	039879-01-000	EA	Speaker Kit - 5 1/4" Diameter w/Black Padded Grille
	045836-02-000	EA	Plate - Radio Cover
	049730-01-000	EA	Radio - Clarion - AM - w/Fader Switch
	049731-01-000	EA	Radio - Clarion - AM/FM/MPX - w/Fader Switch
	049732-01-000	EA	Radio - Clarion - AM/FM/MPX/B-Track - w/Fader Switch
	050785-01-000	EA	Switch - Rear Volume Control
	050751-01-000	EA	Plaque - Fader/Mic Mounting

SPEED CONTROL AND COMPONENTS

Key	Part Number	U/M	Description
	042713-01-000	EA	Speed Control Package - 350 C.I.D. - C-Body
	007255-01-700	EA	Regulator Asm.
	047841-01-701	EA	Servo Asm.
	007255-01-702	EA	Engage Switch - Clamp On
	007298-01-702	EA	Harness Asm.
	007298-01-700	EA	Cable - Transmission
	007255-01-704	EA	Switch Asm. - Decelerate
	024746-01-700	EA	Relay - Speed Control

GENERATORS AND INSTALLATION KITS

Key	Part Number	U/M	Description
**	040504-01-000	EA	Generator - 2.5KW - Kohler
**	040505-01-000	EA	Generator - 4.0KW - Kohler
	040507-01-000	EA	Exhaust System - Generator - 2500/4000 Watt
	040612-01-000	EA	Muffler - Generator - 2500/4000 Watt
	046317-01-000	EA	Tailpipe - Exhaust - Generator - 1 3/8" x 5"
	007131-01-000	EA	Hanger - Tailpipe
	024976-01-000	EA	Switch - Generator - w/o Circuit Board
	008251-01-000	EA	Fuse Holder - Black Screw Type
	007067-01-000	SF	Insulation - Fiberglass - 1"
	041369-01-000	EA	Tray - Generator
	041420-01-000	EA	Elbow - Steel - 1/8" MPT x 3/16" - Barb
	042865-01-000	EA	Scoop - Generator Air
	007063-01-000	FT	Hose - Gas - 1/4" I.D. x 1/2" O.D.
	010351-01-000	EA	Valve - Needle - 1/8" MPT x 5/16" C

**The illustrated parts breakdown for this item is provided on the Common Items Fiche.

MISCELLANEOUS ACCESSORIES

Key	Part Number	U/M	Description
	006053-01-000	EA	Antenna Asm. - TV - Braund Delux
	006093-01-000	EA	Jack - TV - Brown
	006060-01-000	EA	Purification System - Everpure - Water
	006060-02-000	EA	Cartridge - Replacement - Everpure
	006091-01-000	EA	Tray Cutlery - Gold
	006113-01-000	EA	Jack - Hydraulic - 5-Ton
	041944-01-700	EA	Fire Extinguisher - w/Bracket - Dry Chemical
	006076-01-000	EA	Bunk Ladder - Alum. - 66"
	041635-01-000	EA	Luggage Rack and Ladder Asm.
	040466-06-000	EA	Cover - Spare Tire - 29" - Off White
	017516-01-000	EA	Mud Flap - 14" x 18" - w/Holes
	031396-03-000	EA	Cover - Wheel - 16.5" Chrome

BATH GROUP

BATH TUB AND RELATED HARDWARE

Key	Part Number	U/M	Description
	016747-02-000	EA	Bath Tub - Plastic - White
	031558-01-000	EA	Faucet - Tub and Shower
	011058-01-000	EA	Faucet - Lavatory
	011048-01-000	EA	Shower Head - w/60" Hose
	011028-01-000	EA	Sink - Stainless Steel - Single - Oval w/Bolts
	034689-01-000	EA	Cover - Screw - PPH - 10 - White

BATH CABINETS

Key	Part Number	U/M	Description
	039599-01-700	EA	Cabinet Asm. - Medicine - Overhead - w/o Door or Hardware
	039599-01-701	EA	Door Asm. - Medicine - w/o Hardware
	039584-01-700	EA	Cabinet Asm. - Lavatory - w/o Door, Top or Hardware
	039584-01-701	EA	Door Asm - Lavatory - w/o Hardware
	039593-01-700	EA	Door Asm. - Wardrobe - 14" x 58 1/4"

MISCELLANEOUS HARDWARE

Key	Part Number	U/M	Description
	009134-01-000	EA	Holder - Tissue
	009133-01-000	EA	Bar - Towel Rack - 12" - Plastic
	023449-01-000	EA	Support - Towel Rack - Chrome - Left or Right
	033580-01-000	EA	Ring - Towel - Chrome - w/Plastic Ring
	011156-01-000	EA	Toilet - Starlite - 20 - Gold
**	033327-01-000	EA	Toilet - Electra Magic - w/o Seat and Lid
**	039341-02-000	EA	Toilet - Aqua Magic - Ivory w/Lid

**The illustrated parts breakdown for this item is provided on the Common Items Fiche.

1975 ITASCA TABLE OF CONTENTS

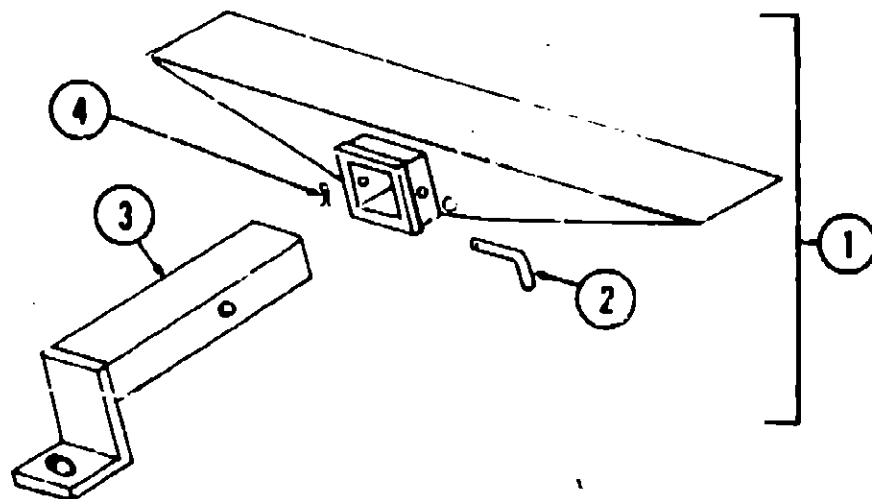
Introduction	A-1
Abbreviations	A-1
Alphabetical Index	A-2 - A-4
C24C	A-5 - B-12
C25A	B-13 - D-2
C27A	D-3 - E-16
C27AL	E-17 - G-6

1975 C24C INDEX

Floor Plan	A-5 - A-6
Accessories Group	A-7
Bath Group	A-8
Chassis Group	A-9 - A-10
Curtain, Cushion & Pad Group	A-11 - A-13
Dinette Group	A-14
Driver's Compartment Group	A-14
Electrical Group	A-15 - A-16
Exterior Body Group	A-17 - A-20
Galley Group	A-21
Heating & Air Conditioning Group	A-22
Interior Finish Group	A-23 - A-24
LP Group	B-1
Lounge Group	B-1
Water & Sewage Group	B-2
Window, Vent & Exterior Door Group	B-3 - B-12

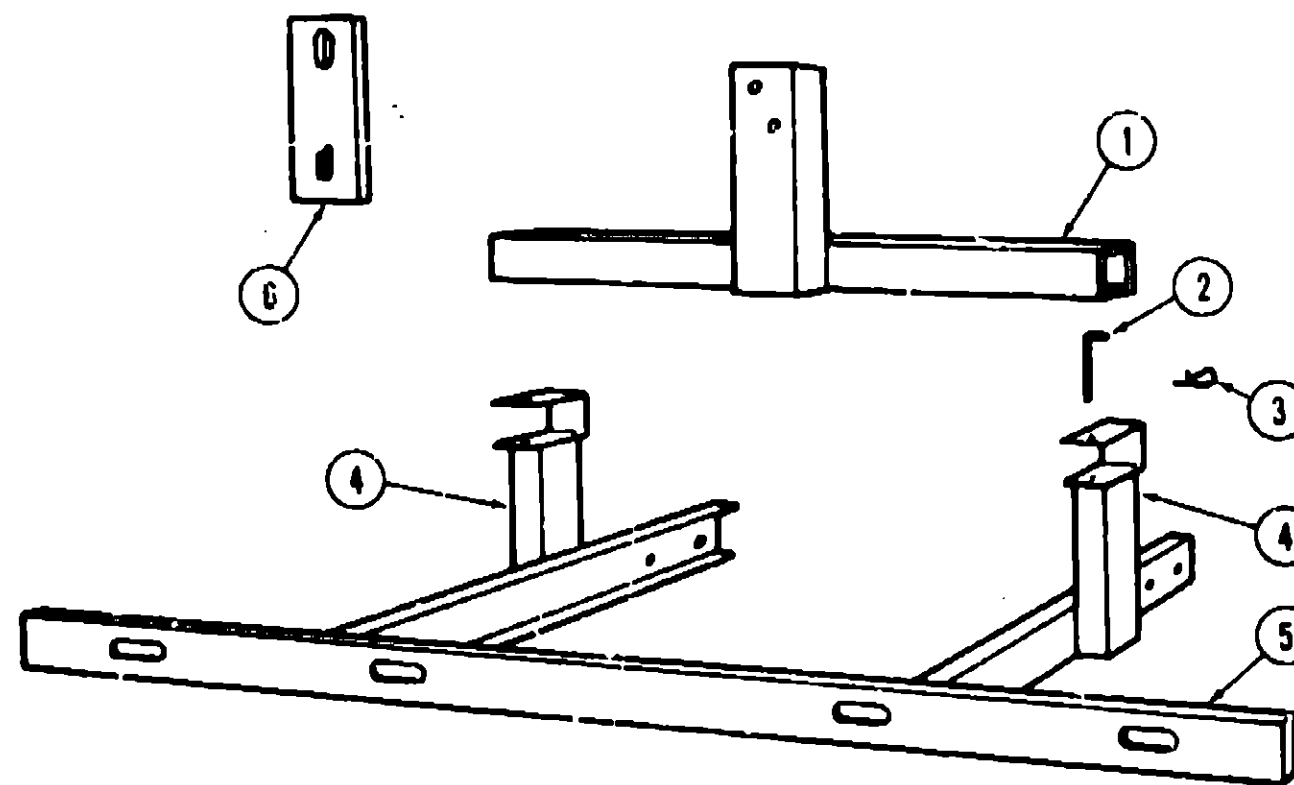
CHASSIS GROUP

Key	Part Number	U/M	Description
	020858-01-700	EA	Bumper Asm. - Rear - Primed
	007125-08-000	EA	Clamp Asm. - Muffler - 3" Dia.
	042377-01-000	EA	Tailpipe - Extension - 3" O.D. x 7.5"
	020275-01-000	EA	Bracket - Tie Down - Short Battery Box
	021276-01-000	EA	Tray - Battery - Steel
	050279-01-000	EA	Tray - Generator - Steel
	041787-01-000	EA	Clip - Speed - Cable or Rod
	044163-01-000	EA	Bracket - Fiberglass to Wheelwell
	044184-01-000	EA	Bracket - Fiberglass to Hinge Pillar
	044371-01-000	EA	Bracket - Fiberglass - Front Bottom
	044373-01-000	EA	Bracket - Fiberglass - Front Top
	041723-01-000	EA	Bracket - Center Hood Bumper
	045883-01-000	EA	Pivot Hood
	040848-01-000	EA	Bumper Hood
	048748-01-000	EA	Support Asm. - Radiator/Grille
	044763-01-000	EA	Splashguard - Front - Black Rubber
	041200-01-000	EA	Pin - Clevis 1/4" Dia. x 2.50"
	041228-01-000	EA	Pin - Hitch - 1/16" Wire



Key	Part Number	U/M	Description
1	023695-01-700	EA	Hitch Kit - w/Drawbar
2	034512-01-000	EA	Pin - Locking - Drawbar
3	024876-01-700	EA	Drawbar Asm. - Trailer Hitch - Primed
4	034513-01-000	EA	Pin - Hitch - 3/16" Wire Spring

CHASSIS GROUP (CONTINUED)



Key	Part Number	U/M	Description
1	016924-01-000	EA	Mounting Asm. - Tube Tire Carrier
2	005522-01-000	EA	Pin - Hitch - 5/32" Wire
3	015385-01-000	EA	Pin - Tire Carrier
4	022445-01-000	EA	Bracket - Tire Carrier - Left
	021356-01-000	EA	Bracket - Tire Carrier - Right
5	024879-03-000	EA	Bracket - Mounting Bumper Rear
6	040974-02-000	EA	Retaining Bar - Spare Tire

1975 ITASCA TABLE OF CONTENTS

Introduction	A-1
Abbreviations	A-1
Alphabetical Index	A-2 - A-4
C24C	A-5 - B-12
C25A	B-13 - D-2
C27A	D-3 - E-16
C27AL	E-17 - G-6

1975 C24C INDEX

Floor Plan	A-5 - A-6
Accessories Group	A-7
Bath Group	A-8
Chassis Group	A-9 - A-10
Curtain, Cushion & Pad Group	A-11 - A-13
Dinette Group	A-14
Driver's Compartment Group	A-14
Electrical Group	A-15 - A-16
Exterior Body Group	A-17 - A-20
Galley Group	A-21
Heating & Air Conditioning Group	A-22
Interior Finish Group	A-23 - A-24
LP Group	B-1
Lounge Group	B-1
Water & Sewage Group	B-2
Window, Vent & Exterior Door Group	B-3 - B-12

CURTAIN, CUSHION AND PAD GROUP

CURTAINS

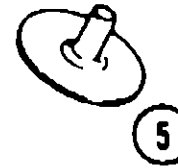
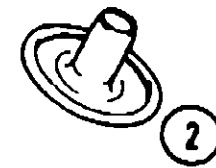
Key	Part Number	U/M	Description
	039928-41-000	EA	Curtain w/Snap Top - 33" x 42" - Flax
	039928-42-000	EA	Curtain w/Snap Top - 22" x 23" - Flax
	039928-43-000	EA	Curtain w/Snap Top - 28" x 42" - Flax
	043084-25-000	EA	Curtain w/Snap Top - 17" x 42" - Right - Flax
	043119-25-000	EA	Curtain w/Snap Top - 17" x 42" - Left - Flax
	043121-29-000	EA	Curtain w/Snap Top 18" x 33" - Right - Flax
	043122-29-000	EA	Curtain w/Snap Top 18" x 33" - Left - Flax
	033316-16-000	EA	Curtain - Wraparound - 21" x 72" - Flax
	033315-40-000	EA	Curtain - Privacy - 27" x 90" - Flax

VALANCES AND TIE BACKS

Key	Part Number	U/M	Description
	038328-84-000	EA	Valance w/Header - 5" x 16" - Rust
	038328-85-000	EA	Valance w/Header - 5" x 16" - Blue
	038328-86-000	EA	Valance w/Header - 5" x 75" - Rust
	038328-87-000	EA	Valance w/Header - 5" x 75" - Blue
	031843-04-000	EA	Tie Back Asm. - Curtain - 18" - Antique Brown Vinyl
	031843-21-000	EA	Tie Back Asm. - Curtain - 15" - Flax
	020132-01-000	EA	Tie Back Asm. - 10" - Clear Vinyl
	031843-22-000	EA	Tie Back Asm. - 18" - Flax

CURTAIN HARDWARE

Key	Part Number	U/M	Description
	018031-42-000	EA	Track - Curtain - "L" Rod - Alum. - 90"
	009136-01-000	EA	Hook - Shower Curtain
	029100-01-000	EA	Hook - Privacy Curtain
	052327-04-236	EA	Curtain Track - 89" Brown Alum. w/ Holes (Replaces 009108-01-000 Brown Plastic Track)
	009107-01-000	EA	Guide - Nylon Snap Curtain
	009701-01-000	EA	Carrier w/Rollers - Curtains - "L" Rod
	009702-01-000	EA	End Stop - Curtain Track - "L" Rod



Key	Part Number	U/M	Description
1	029130-01-000	EA	Socket - Snap Fastener - 7 x 5/8" (Tie Backs)
2	029155-01-000	EA	Cap - Snap - .156" Dia. x .17" Barrel (Tie Backs)
3	029156-01-000	EA	Socket - Snap Fastener (Tie Backs)
4	029092-01-000	EA	Stud - Nickel Finish (Curtains)
5	029093-01-000	EA	Eyelet - Nickel Finish (Curtains)

CURTAIN, CUSHION AND PAD GROUP (CONTINUED)

DINETTE CUSHIONS

Key	Part Number	U/M	Description
	039931-21-000	EA	Cushion - Dinette Bottom - 21 1/2" x 38" x 4" - Rust
	039931-22-000	EA	Cushion - Dinette Bottom - 21 1/2" x 38" x 4" - Blue
	039931-21-021	EA	Cover - Dinette Bottom Cushion - 21 1/2" x 38" x 4" - Rust
	039931-22-022	EA	Cover - Dinette Bottom Cushion - 21 1/2" x 38" x 4" - Blue
	031506-29-000	EA	Cushion - Dinette Back - 6" x 14 1/2" x 38" x 4" - Rust
	031506-30-000	EA	Cushion - Dinette Back - 6" x 14 1/2" x 38" x 4" - Blue
	031506-29-029	EA	Cover - Dinette Back Cushion - 6" x 14 1/2" x 38" x 4" - Rust
	031506-30-030	EA	Cover - Dinette Back Cushion - 6" x 14 1/2" x 38" x 4" - Blue

DINETTE BENCH CUSHIONS

Key	Part Number	U/M	Description
	039931-05-000	EA	Cushion - Bench Bottom - 27 1/2" x 75" x 5" - Rust
	039931-06-000	EA	Cushion - Bench Bottom - 27 1/2" x 75" x 5" - Blue
	039931-05-005	EA	Cover - Bench Bottom Cushion - 27 1/2" x 75" x 5" - Rust
	039931-06-006	EA	Cover - Bench Bottom Cushion - 27 1/2" x 75" x 5" - Blue
	039931-03-000	EA	Cushion - Bench Back - 13 1/2" x 75" x 5" - Rust
	039931-04-000	EA	Cushion - Bench Back - 13 1/2" x 75" x 5" - Blue
	039931-03-003	EA	Cover - Bench Back Cushion - 13 1/2" x 75" x 5" - Rust
	039931-04-004	EA	Cover - Bench Back Cushion - 13 1/2" x 75" x 5" - Blue

SWIVEL CHAIRS

Key	Part Number	U/M	Description
	031517-16-000	EA	Chair Asm. - TT - Rust
	031517-17-000	EA	Chair Asm. - TT - Blue
	031775-17-000	EA	Cushion - TT Chair - Blue
	031775-16-000	EA	Cushion - TT Chair - Rust
	035036-01-000	EA	Plate - Tilt and Turn Chair
	035036-02-000	EA	Base - TT Chair w/Holes in Legs

BUNK CUSHIONS

Key	Part Number	U/M	Description
	041667-82-000	EA	Cushion - Front Bunk - 24 1/2" x 89" x 4" - Rust
	041667-83-000	EA	Cushion - Front Bunk - 24 1/2" x 89" x 4" - Blue
	041567-84-000	EA	Cushion - Front Bunk - 27" x 89" x 5" - Rust
	041667-85-000	EA	Cushion - Front Bunk - 27" x 89" x 5" - Blue

BUCKET SEATS AND HEADRESTS

Key	Part Number	U/M	Description
	040516-03-000	EA	Seat Asm. - Single Bucket - Rust
	040516-04-000	EA	Seat Asm. - Single Bucket - Blue
	040516-03-001	EA	Cover Asm. - Single Bucket Seat Back - Rust
	040516-04-001	EA	Cover Asm. - Single BUCKET Seat Back - Blue
	040516-03-002	EA	Cover Asm. - Single Bucket Seat Bottom - Rust
	040516-04-002	EA	Cover Asm. - Single Bucket Seat Bottom - Blue
	019722-01-000	EA	Bracket - Headrest w/Foam - w/o Cover
	033906-18-000	EA	Cover Asm. - Headrest - Rust
	033906-19-000	EA	Cover Asm. - Headrest - Blue
	029136-01-000	EA	Grommet - Headrest - Brown Nylon
	031133-01-000	EA	Protector - Driver Seat Back - Brown Plastic

1975 ITASCA TABLE OF CONTENTS

Introduction	A-1
Abbreviations	A-1
Alphabetical Index	A-2 - A-4
C24C	A-5 - B-12
C25A	B-13 - D-2
C27A	D-3 - E-16
C27AL	E-17 - G-6

1975 C24C INDEX

Floor Plan	A-5 - A-6
Accessories Group	A-7
Bath Group	A-8
Chassis Group	A-9 - A-10
Curtain, Cushion & Pad Group	A-11 - A-13
Dinette Group	A-14
Driver's Compartment Group	A-14
Electrical Group	A-15 - A-16
Exterior Body Group	A-17 - A-20
Galley Group	A-21
Heating & Air Conditioning Group	A-22
Interior Finish Group	A-23 - A-24
LP Group	B-1
Lounge Group	B-1
Water & Sewage Group	B-2
Window, Vent & Exterior Door Group	B-3 - B-12

CURTAIN, CUSHION AND PAD GROUP (CONTINUED)

PADS

Part Number	U/M	Description
039973-01-000	EA	Pad - Dinette Seat Back -Sultana Vinyl
041154-01-000	EA	Pad - Cab Door Panel - Right - Rust
041154-02-000	EA	Pad - Cab Door Panel - Right - Blue
041154-03-000	EA	Pad - Cab Door Panel - Left - Rust
041154-04-000	EA	Pad - Cab Door Panel - Left - Blue
043326-01-000	EA	Pad - Cab Headliner - Sultana Vinyl
043327-01-000	EA	Pad - Wingwall Pillar - Left
043327-02-000	EA	Pad - Wingwall Pillar - Right
044207-01-000	EA	Pad - Motor Cover
043321-01-000	EA	Pad - "A" Pillar - Right
043322-01-000	EA	Pad - "A" Pillar - Left
043323-01-000	EA	Pad - Door Top - Right
043324-01-000	EA	Pad - Door Top - Left
043325-01-000	EA	Pad - "B" Pillar - Left
043325-02-000	EA	Pad - "B" Pillar - Right
042414-01-000	FT	Trim - Bostonian Brown Accent
023631-03-000	FA	Button - 1/2" - Brown Padded

FABRICS

Key	Part Number	U/M	Description
	039780-01-000	YD	Fabric - Upholstery/Valance - Rust
	039780-02-000	YD	Fabric - Upholstery/Valance - Blue
	039781-01-000	YD	Fabric - Drapery - Flax
	024918-03-000	YD	Vinyl - Oxen Tan
	039176-01-000	YD	Vinyl - Sultana Brown

DINETTE GROUP

Key	Part Number	U/M	Description
	024274-15-700	EA	Table - Dinette - w/o Hardware - Butcher Block
	047842-01-000	EA	Kit - Dinette Table Leg
	047809-02-000	EA	Kit - Dinette Hardware - Wall Mount
	039938-01-000	EA	Cabinet - Dinette Seat - Right
	039439-01-700	EA	Cabinet - Dinette Seat - Left - w/o Door or Hardware
	039439-01-701	EA	Door Asm. - Dinette Seat - w/o Hardware
	039600-01-700	EA	Cabinet - Dinette Overhead w/o Doors or Hardware
	039600-01-701	EA	Door Asm. - Dinette Overhead - w/o Hardware

**1975 ITASCA
TABLE OF CONTENTS**

Introduction	A-1
Abbreviations	A-1
Alphabetical Index	A-2 - A-4
C24C	A-5 - B-12
C25A	B-13 - D-2
C27A	D-3 - E-16
C27AL	E-17 - G-6

DRIVER'S COMPARTMENT GROUP

Key	Part Number	U/M	Description
	039639-01-000	EA	Bezel - Transmission Control
	036414-01-000	EA	Ashtray
	041425-01-000	EA	Cover - Engine
	041320-01-000	EA	Bracket - Engine Cover/Floor
	048223-01-000	EA	Bracket - Engine Cover
	044469-01-000	EA	Nomeplate - "Itasca" - Brown/Silver
	041154-01-000	EA	Pad - Cab Door Panel - Right - Rust
	041154-02-000	EA	Pad - Cab Door Panel - Right - Blue
	041154-03-000	EA	Pad - Cab Door Panel - Left - Rust
	041154-04-000	EA	Pad - Cab Door Panel - Left - Blue
	024976-01-000	EA	Switch - Generator - w/o Circuit Board
	024461-01-000	EA	Switch - Battery
	046885-01-000	EA	Plaque - Mounting - Battery Switch
	039589-01-000	EA	Pedestal - Seat
	007223-01-000	EA	Adjuster Asm. - Seat w/Lock
	007224-02-000	EA	Handle - Seat Adjuster - 9"
	007227-01-000	EA	Adjuster Asm. - Seat w/o Lock
	007222-01-000	EA	Belt Asm. - Seat - 2" x 60" - Black
	041322-01-000	EA	Washer - Flat - 15/32" I.D. x 2 3/8" O.D.
	043323-01-000	EA	Pad - Door Top - Right
	043324-01-000	EA	Pad - Door Top - Left
	007267-01-000	EA	Gauge Asm. - Voltmeter
	031035-01-000	EA	Gauge Asm. - Hourmeter

1975 C24C INDEX

Floor Plan	A-5 - A-6
Accessories Group	A-7
Bath Group	A-8
Chassis Group	A-9 - A-10
Curtain, Cushion & Pad Group	A-11 - A-13
Dinette Group	A-14
Driver's Compartment Group	A-14
Electrical Group	A-15 - A-16
Exterior Body Group	A-17 - A-20
Galley Group	A-21
Heating & Air Conditioning Group	A-22
Interior Finish Group	A-23 - A-24
LP Group	B-1
Lounge Group	B-1
Water & Sewage Group	B-2
Window, Vent & Exterior Door Group	B-3 - B-12

ELECTRICAL GROUP

BULBS

Key	Part Number	U/M	Description
	037935-01-000	EA	Bulb - 1157
	038010-01-000	EA	Bulb - 1143
	008103-01-000	EA	Bulb - 53
	008214-01-000	EA	Bulb - 67
	008215-01-000	EA	Bulb - 1003
	008216-01-000	EA	Bulb - 1034
	008217-01-000	EA	Bulb - 1071
	008218-01-000	EA	Bulb - 1141
	008219-01-000	EA	Bulb - 656
	008220-01-000	EA	Bulb - 12 Volt - 25 Watt
	700020-01-000	EA	Bulb - 12 Volt - 20 Watt - 1383
	038198-01-000	EA	Bulb - 194
	008213-01-000	EA	Bulb - 57

EXTERIOR LIGHTS

Key	Part Number	U/M	Description
	008089-01-000	EA	Light - Porch - Recessed
	033562-01-000	EA	Light - Clearance - Amber - Oval - 2 Bulb w/Ground
	033748-01-000	EA	Light - Clearance - Amber - Oval - 1 Bulb w/Ground
	033749-02-000	EA	Light - Clearance - Red - Oval - 1 Bulb w/Ground
	008081-01-000	EA	Lamp Asm. - Tail
	008082-01-000	EA	Lamp Asm. - Tail w/License Bracket
	041327-01-000	EA	Wedge - Tail Lamp
	008085-01-000	EA	Light - Backup
	700002-01-000	EA	Lens - Taillight w/License Plate Bracket
	700002-04-000	EA	Lens - Taillight w/o License Plate Bracket

INTERIOR LIGHTS

Key	Part Number	U/M	Description
	007309-01-000	EA	Light - Step Well
	024473-01-000	EA	Light - Aircraft - 1 Bulb Gold
	008096-01-000	EA	Light - Dome - 1 Bulb - Wood Grain
	008093-01-000	EA	Light - Dome - 3 Bulb - Wood Grain

FUSES AND CIRCUIT BREAKERS

Key	Part Number	U/M	Description
	008233-01-000	EA	Fuse - 12 Volt - 6 Amp.
	006234-01-000	EA	Fuse - 12 Volt - 10 Amp.
	008235-01-000	EA	Fuse - 12 Volt - 15 Amp.
	008238-01-000	EA	Fuse - 12 Volt - 20 Amp.
	008248-01-000	EA	Fuse - 12 Volt - 30 Amp.
	008278-01-000	EA	Fuse - 12 Volt - 9 Amp.
	008251-01-000	EA	Fuse Holder - Black - Screw Type
	008212-01-000	EA	Circuit Breaker - 12 Volt - 5 Amp.
	008208-01-000	EA	Circuit Breaker - 12 Volt - 40 Amp.
	033573-01-000	EA	Circuit Breaker - 12 Volt - 20 Amp.
	008268-01-000	EA	Circuit Breaker - 12 Volt - 30 Amp.

ELECTRICAL GROUP (CONTINUED)

WIRE, SWITCHES AND RECEPTACLES

Key	Part Number	U/M	Description
	008024-01-000	FT	Wire - 18.5 Bonded - Orange/White/Yellow/Blue/Brown
	008025-01-000	FT	Wire - 18.5 Bonded - Orange/White/Yellow/Blue/Green
	008028-01-000	FT	Wire - 18.5 Bonded - Blue/Red/Yellow/Orange/White
	008029-01-000	FT	Wire - 18.6 Bonded
	008032-01-000	EA	Wire - 18.4 Bonded
	008195-01-000	EA	Switch - Push Button - 12 Volt
	008054-01-000	EA	Cord - Power - 10-3 30 Amp. - 25' - UL
	008058-01-000	EA	Adaptor - Power Cord
	024924-01-000	EA	Receptacle - Power Cord w/ Plate
	039342-01-000	EA	Receptacle - Duplex - Brown
	047351-01-000	EA	Receptacle - Ground Fault Interrupter - 125 Volt - Black
	039338-01-000	EA	Cover Plate - Receptacle - Plastic - Brown
	024571-01-000	EA	Cover Plate - Receptacle - Jumbo Steel - Brown
	039343-01-000	EA	Cap - End Receptacle
	008162-01-000	EA	Switch - Double Toggle - Spadr. Brown
	008163-01-000	EA	Switch - Toggle - Brown
	008164-01-000	EA	Cover Plate - Switch - Single Plastic - Brown

MISCELLANEOUS ELECTRICAL COMPONENTS

Key	Part Number	U/M	Description
	039950-01-000	EA	Control Center - 30 Amp.
	046775-01-000	EA	Valve Asm. - Fuel Change Over
	008188-01-000	EA	Solenoid - Dual Battery - Relay
	047389-01-000	EA	Battery - 12 Volt - 105 Amp. Deep Cycle - Dry
	047338-01-000	EA	Isolator - Dual Battery
	024417-01-000	EA	Panel - Control - Water/Double Sewage - Wemac
	011024-01-000	EA	Sending Unit - Water Tank - 5 Wire
	039861-01-000	EA	Sending Unit Kit - Wemac

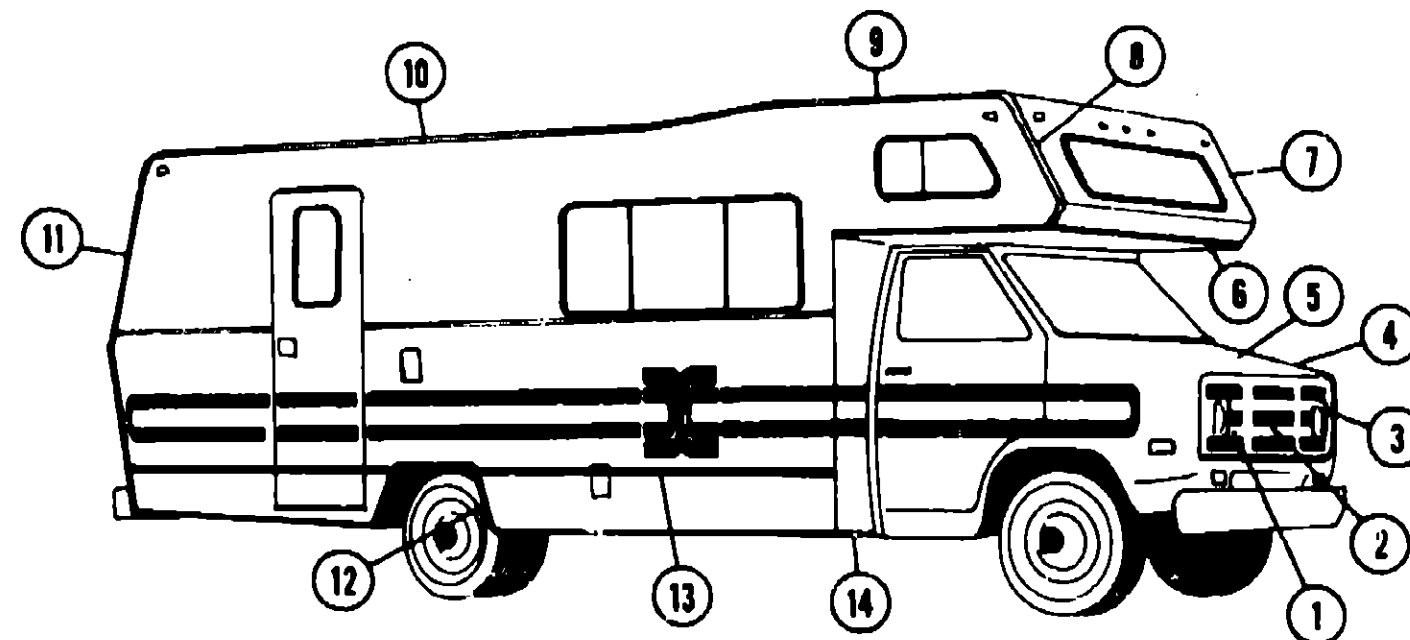
1975 ITASCA TABLE OF CONTENTS

Introduction	A-1
Abbreviations	A-1
Alphabetical Index	A-2 - A-4
C24C	A-5 - B-12
C25A	B-13 - D-2
C27A	D-3 - E-16
C27AL	E-17 - G-6

1975 C24C INDEX

Floor Plan	A-5 - A-6
Accessories Group	A-7
Bath Group	A-8
Chassis Group	A-9 - A-10
Curtain, Cushion & Pad Group	A-11 - A-13
Dinette Group	A-14
Driver's Compartment Group	A-14
Electrical Group	A-15 - A-16
Exterior Body Group	A-17 - A-20
Galley Group	A-21
Heating & Air Conditioning Group	A-22
Interior Finish Group	A-23 - A-24
LP Group	B-1
Lounge Group	B-1
Water & Sewage Group	B-2
Window, Vent & Exterior Door Group	B-3 - B-12

EXTERIOR BODY GROUP



1975 ITASCA TABLE OF CONTENTS

Introduction	A-1
Abbreviations	A-1
Alphabetical Index	A-2 - A-4
C24C	A-5 - B-12
C25A	B-13 - D-2
C27A	D-3 - E-16
C27AL	E-17 - G-6

Key	Part Number	U/M	Description
1	039141-01-000	EA	Grille - Plastic - Left
2	039141-02-000	EA	Grille - Plastic - Right
3	039142-01-000	EA	Grille - Plastic - Center
4	040843-01-000	EA	Front End Asm. - Fiberglass - Off White - Includes Hood w/o Front Grille
5	040845-01-000	EA	Hood Asm. - Off White
6	039644-01-000	EA	Trim - Sleeper Board - Off White
7	039635-02-000	EA	Trim - Contour - Sleeper Section - Right - Off White
8	039635-01-000	EA	Trim - Contour - Sleeper Section - Left - Off White
9	039634-01-000	EA	Trim - Contour - Roof - Left - Off White
•	039634-02-000	EA	Trim - Contour - Roof - Right - Off White
10	034922-04-000	EA	Trim - Sidewall/Roof - Upper - Left or Right - Off White
11	039633-01-000	EA	Trim - Contour - Backwall - Left - Off White
•	039633-02-000	EA	Trim - Contour - Backwall - Right - Off White

Key	Part Number	U/M	Description
12	039624-01-000	EA	Trim - Wheel Well - Rear - Left or Right
13	002444-02-003	EA	Extr. - Feature Strip - Alum. - 16' w/o Insert
•	001030-02-002	EA	Insert - Feature Strip - Off White - 21'
•	009731-01-000	EA	End Cap - Feature Strip
14	043442-01-000	EA	Trim - Wingwall - Bottom - Left
•	043442-02-000	EA	Trim - Wingwall - Bottom - Right
•	039616-01-000	EA	Hinge - Hood (2 used per hood)
•	035388-01-000	EA	Hood Pin Kit - 7/16" x 20 x 3.50" Long
•	007160-01-000	EA	Gasket - Tire Carcass - 3/16" x 2" x 2"
•	037449-01-000	EA	Well Nut - 10 - 32 x .812" Long
•	002365-02-001	EA	Extr. - U-Channel - 1" Serrated x 18' Anod.
•	039629-01-000	FT	Extr. - Sleeper Joint - Vinyl
•	043915-01-000	FT	Extr. - Vinyl "B" Pillar/Wingwall
•			Not Illustrated

1975 C24C INDEX

Floor Plan	A-5 - A-6
Accessories Group	A-7
Bath Group	A-8
Chassis Group	A-9 - A-10
Curtain, Cushion & Pad Group	A-11 - A-13
Dinette Group	A-14
Driver's Compartment Group	A-14
Electrical Group	A-15 - A-16
Exterior Body Group	A-17 - A-20
Galley Group	A-21
Heating & Air Conditioning Group	A-22
Interior Finish Group	A-23 - A-24
LP Group	B-1
Lounge Group	B-1
Water & Sewage Group	B-2
Window, Vent & Exterior Door Group	B-3 - B-12

EXTERIOR BODY GROUP (CONTINUED)

EXTERIOR BODY PANELS AND SHEET ALUMINUM

Key	Part Number	U/M	Description
	039479-01-000	EA	Sidewall Asm. - Left
	039480-01-000	EA	Sidewall Asm. - Right
	039481-01-000	EA	Roof Asm.
	039481-01-700	EA	Roof Section - Front - Cab Overhang to First Roof Seam
	039482-01-000	EA	Backwall Asm.
	039579-01-000	EA	Board - Sleeper
	039155-03-008	EA	Off White Mesa Alum. - .024" x 36" x 60"
	039155-03-002	EA	Off White Mesa Alum. - .024" x 36" x 300"
	039155-03-003	EA	Off White Mesa Alum. - .024" x 36" x 360"
	039155-03-007	EA	Off White Mesa Alum. - .024" x 48" x 80"
	039155-03-005	EA	Off White Mesa Alum. - .024" x 48" x 300"
	039155-03-006	EA	Off White Mesa Alum. - .024" x 48" x 360"
	039155-03-009	EA	Off White Mesa Alum. - .024" x 12" x 360"
	044487-01-001	EA	Plain Roof Metal - 96" x 360"
	039155-07-010	EA	Off White Greyhound Alum. - 48" x 96"
	001054-01-011	EA	Off White Plain Alum. - 48" x 96"
	000868-01-000	BF	Styrofoam - 3/4" x 24" x 96"
	000870-01-000	BF	Styrofoam - 1 1/2" x 24" x 96"

LABELS AND DECALS

Key	Part Number	U/M	Description
	006023-01-000	EA	Label - Water Only
	006025-01-000	EA	Label - Gas
	006028-01-000	EA	Label - Drain Cap - 2" x 3"
	006031-01-000	EA	Label - Potable Water Only
	006040-01-000	EA	Tag - Gas Refueling Warning
	006061-01-000	EA	Tag - LP Gas Only
	006187-01-000	EA	Label - Sewage
	006188-01-000	EA	Label - Waste Water
	006199-01-000	EA	Label - Exit - Escape Window
	039288-01-000	EA	Label - Warning - Aux. Loading
	040944-01-000	EA	Label - "Open" Entrance Door
	041576-01-000	EA	Stencil - Stripe - Front Side Right
	041576-02-000	EA	Stencil - Stripe - Front Side Left
	040048-01-000	EA	Decal - Logo - "Itasca" - 21" x 21"
	040056-01-000	EA	Decal - Name - Itasca
	040059-01-000	EA	Decal - Stripe - Front Side - Right
	040059-02-000	EA	Decal - Stripe - Front Side - Left

EXTERIOR PAINT

Key	Part Number	U/M	Description
	041561-01-000	EA	Paint - Off White - Acrylic Enamel - 1 Gal
	041561-03-000	EA	Paint - Off White - Acrylic Enamel - 16 Oz. Aerosol
	041561-04-000	EA	Paint - Off White - Acrylic Lacquer - 1 Gal
	045681-01-000	EA	High Gloss Black - Acrylic Enamel - 1 Gal
	045681-03-000	EA	Paint - High Gloss Black - Acrylic Enamel - 16 Oz. Aerosol
	040509-01-000	EA	Paint - Burnt Orange - 1 Gallon
	040509-03-000	EA	Paint - Burnt Orange - 16 Oz. Aersol

EXTERIOR BODY GROUP (CONTINUED)

SEALANTS, ADHESIVES AND FASTENERS

Key	Part Number	U/M	Description
	034552-05-000	EA	Sealant - Off White Silicone
	034552-04-000	EA	Sealant - Beige Silicone
	034552-02-000	EA	Sealant - Clear Silicone
	004348-02-000	EA	Sealant - Aluminum Silicone
	004349-01-000	EA	Sealant - Black Silicone
	004342-01-000	EA	Sealant - Weatherban 202 Tube
	004346-02-000	EA	Sealant - White Silicone
	004347-01-000	EA	Sealant - Tutflex
	002318-01-000	FT	Tape - Sealer - 3/32" x 1/8"
	024545-01-000	FT	Tape - Sealer - 1/8" x 5/8" - Black
	004350-01-000	FT	Tape - Sealer - 1/8" x 1" - Formaseal
	004352-01-000	FT	Tape - Sealer - 1/8" x 3/4" - Formaseal
	004355-01-000	FT	Tape - Sealer - 1/8" x 5/8" - Black
	004357-01-000	FT	Tape - Sealer - 1/8" x 5/8" - Adhesive
	002707-02-000	FT	Tape - Sealer - 5/16" x 1/2" - Black Foam
	002707-01-000	FT	Tape - Sealer - 5/16" x 3/4" - Black Foam
	041422-01-000	FT	Tape - Sealer - 1/4" x 1/2"
	004333-01-000	FT	Tape - Sealer - 3/16" x 1/2" - Foam
	004362-01-000	FT	Tape - Sealer - 1/8" x 5/8" - Foam
	009200-01-000	EA	Tape - Furnace - 1 1/2"
	041839-01-000	FT	Tape - Window - Latch - 3/4" - Adhesive
	041839-02-000	FT	Tape - Window - Latch - 1/2" - Adhesive
	004353-01-000	FT	Tape - Gasket - 1/3" x 3/4" - White
	002825-01-000	FT	Weather Stripping - Roof Vent
	002337-01-000	EA	Adhesive - 3M- 1300 Tube
	004005-01-000	GL	Adhesive - Swifts Green - Glue (Sidewalls)
	004012-01-000	EA	Adhesive - 3M - 4475 Tube
	004020-01-000	QT	Adhesive - ABS Cement (Plastic Fittings)
	029051-01-000	EA	Adhesive - Spray Vinyl
	042401-02-000	EA	Screw - 8 - 18 x 3/4" SDPH Off Beige
	042403-01-000	EA	Screw - SF/DR - 8 - 18 x 1" SDPH Beige

1975 ITASCA TABLE OF CONTENTS

Introduction	A-1
Abbreviations	A-1
Alphabetical Index	A-2 - A-4
C24C	A-5 - B-12
C25A	B-13 - D-2
C27A	D-3 - E-16
C27AL	E-17 - G-6

1975 C24C INDEX

Floor Plan	A-5 - A-6
Accessories Group	A-7
Bath Group	A-8
Chassis Group	A-9 - A-10
Curtain, Cushion & Pad Group	A-11 - A-13
Dinette Group	A-14
Driver's Compartment Group	A-14
Electrical Group	A-15 - A-16
Exterior Body Group	A-17 - A-20
Galley Group	A-21
Heating & Air Conditioning Group	A-22
Interior Finish Group	A-23 - A-24
LP Group	B-1
Lounge Group	B-1
Water & Sewage Group	B-2
Window, Vent & Exterior Door Group	B-3 - B-12

GALLEY GROUP

Key	Part Number	U/M	Description
	039592-01-700	EA	Cabinet Asm. - Galley - Overhead - w/o Door or Hardware
	039592-01-701	EA	Door Asm. - Galley Overhead - w/o Hardware
	039577-01-700	EA	Cabinet Asm. - Galley - w/o Doors, Top or Hardware
	039577-01-701	EA	Countertop Asm. - Galley - Butcher Block
	039577-01-702	EA	Door Asm. - Galley Cabinet - (Under Sink) w/o Hardware
	039577-01-703	EA	Door Asm. - Galley Cabinet - (Under Stove) w/o Hardware
**	031649-01-000	EA	Range - Coleman - 3 Burner - 2227
**	031648-01-000	EA	Range - Coleman - 3 Burner 2225
**	003337-01-000	EA	Refrigerator - Dometic - Two Door - RM76
**	003336-01-000	EA	Refrigerator - Dometic - One Door - RM66
**	034542-01-000	EA	Refrigerator - Winnebago - Two Door - W8EG
**	034544-01-000	EA	Refrigerator - Winnebago - Two Door - W7EG
**	034545-01-000	EA	Refrigerator - Winnebago - One Door - W6EG

**The illustrated parts breakdown for this item is provided on the Common Items Fiche.

HEATING AND AIR CONDITIONING GROUP

Key	Part Number	U/M	Description
	048231-01-000	EA	Auto Air - 350 C.I.D. - AMC
	041443-01-000	EA	A/C General Package - AMC
	041444-01-000	EA	A/C Condenser Package - 350 C.I.D. - AMC
	041445-01-000	EA	A/C Installation Package - AMC
	041446-01-000	EA	A/C Evaporator Package - 350 C.I.D. - AMC
	047036-01-000	EA	A/C Compressor Mount Package - 350 C.I.D. - AMC
	048231-02-000	EA	Auto Air - 350 C.I.D. - ARA
	051766-01-000	EA	A/C - Compressor Mount Package - 350 C.I.D. - ARA
	051769-01-000	EA	A/C - Evaporator Package - 350 C.I.D. - ARA
	051770-01-000	EA	A/C - Compressor - 350 C.I.D. - ARA
	051771-01-000	EA	A/C - Condenser Asm. - 350 C.I.D. - ARA
	009198-01-000	FT	Duct - Flexible - 4" x 25' (Furnace)
	024985-01-000	EA	Register - Heat w/Damper - 9.9" x 4.8"
	031604-01-000	EA	Bonnet - Heat Register
	050783-01-000	EA	Vent Package Coleman - Furnace - 4300 Series
	041606-01-000	EA	Vent Package Coleman - Furnace - 4200 Series
	009200-01-000	EA	Tape - Furnace - 1 1/2"
	039505-02-000	EA	Thermostat - Wall Mount - Coleman
**	041603-01-000	EA	Furnace - 23,000 BTU - Under Counter Mount - Coleman - 4225
**	041604-01-000	EA	Furnace - 28,000 BTU - Under Counter Mount - Coleman - 4230
**	041605-01-000	EA	Furnace - 31,000 BTU - Under Counter Mount - Coleman - 4235
**	049774-01-000	EA	Air Conditioner - 110 Volt - Roof Mount - 13,500 BTU - Ivory - Coleman (w/o Inside shroud)
**	049775-01-000	EA	Shroud Asm. - Ceiling - Inside Roof Air - Cool Only - 13,500 BTU - Coleman
**	049776-01-000	EA	Shroud Asm. - Ceiling - Inside - Roof Air - Heat and Cool - 13,500 BTU - Coleman
**	049777-01-000	EA	Air Conditioner - 110 Volt - Roof Mount - 11,000 BTU - Ivory - Coleman (w/o Inside Shroud)
**	049778-01-000	EA	Shroud Asm. - Ceiling - Inside - Roof Air - Cool Only - 11,000 BTU - Coleman

**The illustrated parts breakdown for this item is provided on the Common Items Fiche.

1975 ITASCA TABLE OF CONTENTS

Introduction	A-1
Abbreviations	A-1
Alphabetical Index	A-2 - A-4
C24C	A-5 - B-12
C25A	B-13 - D-2
C27A	D-3 - E-16
C27AL	E-17 - G-6

1975 C24C INDEX

Floor Plan	A-5 - A-6
Accessories Group	A-7
Bath Group	A-8
Chassis Group	A-9 - A-10
Curtain, Cushion & Pad Group	A-11 - A-13
Dinette Group	A-14
Driver's Compartment Group	A-14
Electrical Group	A-15 - A-16
Exterior Body Group	A-17 - A-20
Galley Group	A-21
Heating & Air Conditioning Group	A-22
Interior Finish Group	A-23 - A-24
LP Group	B-1
Lounge Group	B-1
Water & Sewage Group	B-2
Window, Vent & Exterior Door Group	B-3 - B-12

INTERIOR FINISH GROUP

PANELING AND COUNTERTOP MATERIALS

Key	Part Number	U/M	Description
	024951-01-000	SF	Panel - Bath Wall - White
	039188-01-000	SF	Veneer - 707 Hickory - 48" x 96"
	000720-02-000	SF	Veneer - White Stucco - 48" x 96"
	037682-01-000	SF	Plastic Laminate - 48" x 96" - Butcher Block
	033204-01-000	SF	Plastic Laminate - 48" x 96" - Antique Leather
	009814-06-000	FT	T-Molding - Butcher Block
	000726-06-000	EA	Batt Strip - 707 Hickory
	000724-01-000	EA	Batt Strip - White Stucco

FABRICS AND CARPET

Key	Part Number	U/M	Description
	039780-01-000	YD	Fabric - Upholstery/Valance - Rust
	039780-02-000	YD	Fabric - Upholstery/Valance - Blue
	039781-01-000	YD	Fabric - Drapery - Flax
	024918-03-000	YD	Vinyl - Oxen Tan
	039176-01-000	YD	Vinyl - Sultana Brown
	024913-03-000	SY	Carpet - Autumn Leaves - Rust
	037678-03-000	SY	Carpet - Coral Palms 511 - Brown

INTERIOR MOLDINGS AND TRIMS

Key	Part Number	U/M	Description
	009779-01-000	FT	U-Channel - 1 1/8" - Brown - Plastic
	009778-01-000	FT	U-Channel - 1" - Brown - Plastic
	009780-01-000	FT	U-Channel - 1 1/4" - Brown - Plastic
	039512-01-000	EA	Cover - Hat Section - White
	039512-02-000	EA	Cover - Hat Section - 707 Hickory
	040025-01-000	EA	Cover - Corner - Hat Section
	024700-03-000	EA	Cover - Sidewall - Roll Bar - White
	024700-04-000	EA	Cover - Sidewall - Roll Bar - 707 Hickory
	040025-01-000	EA	Cover - Corner - Hat Section/Tube
	022755-01-000	EA	Cover - Control - Panel - Plastic
	034689-01-000	EA	Cover - Screw - 10 PPH - Plastic - White
	034113-01-000	EA	Cover - Corner - Support Bar - Brown
	009767-01-000	FT	Welting - Cabinets - Brown
	009812-03-000	FT	Molding - Plastic Corner - Outside - .50"
	009814-06-000	FT	T-Molding - Tan Butcher Block
	022992-01-000	FT	Molding - Reverse Cove - White
	033535-03-000	FT	Molding - Shelf - 707 Hickory

CABINETRY AND TABLE HARDWARE

Key	Part Number	U/M	Description
	043118-01-000	EA	Kit - Cabinet Door Latch
	043116-01-000	EA	Kit - Drawer Pull
	043117-01-000	EA	Kit - Cabinet Door Hinge
	009047-01-000	EA	Support - Overhead Door
	009112-01-000	EA	Flange - 1" Rod - Chrome - Wardrobe
	047842-01-000	EA	Kit - Dinette Table Leg
	047809-01-000	EA	Kit - Dinette Hardware - Wall Mount

INTERIOR FINISH GROUP (CONTINUED)

CURTAIN HARDWARE

Key	Part Number	U/M	Description
	052327-04-238	EA	Curtain Track - Alum. - Brown - 89" w/Holes Replaces 009108-01-000 - Marine Track
	009107-01-000	EA	Guide - Nylon - Snap - Curtain
	018031-42-000	EA	Track - Curtain - "L" Rod - Alum. - 90"
	009701-01-000	EA	Carrier w/Rollers - "L" Rod
	009702-01-000	EA	End Stop - Curtain - "L" Rod w/Rollers
	035429-07-000	EA	Track - Curtain - Front Right
	035429-08-000	EA	Track - Curtain - Front Left
	029100-01-000	EA	Hook - Pin - Curtain
	009217-01-001	EA	Bracket - Curtain Shade - Left
	009217-01-002	EA	Bracket - Curtain Shade - Right
	009220-01-000	EA	Rod - Curtain - Flat - Extends - 18" - 28"
	029155-01-000	EA	Cap - Snap - .156" Dia. x .17" Barrel
	029156-01-000	EA	Socket - Snap Fastener

MISCELLANEOUS PARTS

Key	Part Number	U/M	Description
	041944-01-700	EA	Extinguisher - Fire - w/Bracket - Dry Chemical
	006090-01-000	EA	Wastebasket - 11 5/8" x 8" x 12" - Green
	006091-01-000	EA	Tray - Cutlery - Gold
	006123-01-000	EA	Cap - Gaucho Rail - Left
	006124-01-000	EA	Cap - Gaucho Rail - Right
	009084-01-000	EA	Mirror - Inside - 1/8" x 11" x 16"
	006098-01-000	EA	Mirror - Inside - 1/8" x 9" x 16" - Beveled
	009096-01-000	EA	Mirror - Inside - 1/8" x 12" x 42" - Beveled
	009089-01-000	EA	Clip - Mirror - Plastic - w/Screw
	007019-01-000	EA	Belt Assembly - Seat - 2" x 84" - Black
	007021-01-000	EA	Belt Asm. - Seat - 2" x 90" - Black
	007022-01-000	EA	Belt Asm. - Seat - 2" x 60" - Black
	023680-01-000	EA	Bracket - Seat Belt
	041322-01-000	EA	Washer - Flat - 15/32" I.D. x 2 3/8" O.D. - Seat Belt
	024730-01-000	EA	Grille - Plastic - 12.4" x 5.9" - Brown - Furnace Duct
	024985-01-000	EA	Register - Heat - w/Damper - 9.9" x 4.8"
	009169-01-000	EA	Grille - Plastic - 15.7" x 17.1" - Brown - Furnace

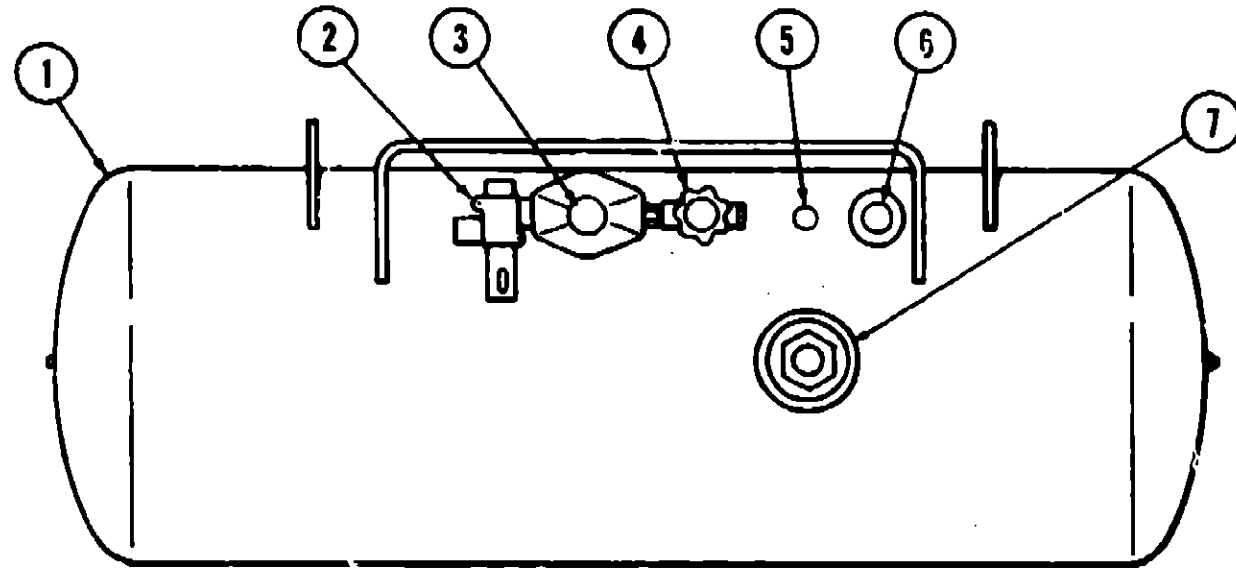
1975 ITASCA TABLE OF CONTENTS

Introduction	A-1
Abbreviations	A-1
Alphabetical Index	A-2 - A-4
C24C	A-5 - B-12
C25A	B-13 - D-2
C27A	D-3 - E-16
C27AL	E-17 - G-6

1975 C24C INDEX

Floor Plan	A-5 - A-6
Accessories Group	A-7
Bath Group	A-8
Chassis Group	A-9 - A-10
Curtain, Cushion & Pad Group	A-11 - A-13
Dinette Group	A-14
Driver's Compartment Group	A-14
Electrical Group	A-15 - A-16
Exterior Body Group	A-17 - A-20
Galley Group	A-21
Heating & Air Conditioning Group	A-22
Interior Finish Group	A-23 - A-24
LP Group	B-1
Lounge Group	B-1
Water & Sewage Group	B-2
Window, Vent & Exterior Door Group	B-3 - B-12

LP GROUP



Key	Part Number	U/M	Description
1	040421-01-000	EA	Tank - LP - Frame Mount - 83 Pound
2	047221-01-000	EA	Detector - LP Gas Leak
3	024712-01-000	EA	Cover - LP Regulator
4	052163-01-000	EA	Regulator - Manual - LP Gas - 2 Stage
5	040421-01-703	EA	Valve - Vapor Relief
6	040421-01-700	EA	Gauge - Liquid Level - 20% LP
7	040421-01-701	EA	Valve - Filler - LP
	040421-01-702	EA	Cap - Plastic Fill Valve
	040421-01-707	EA	Gauge - Float w/Visible Dial
	040421-01-704	EA	Gauge - Float w/Electrical Transmitter Dial
	040421-01-706	EA	Dial - Visible Face
	040421-01-705	EA	Dial - Transmitter - 0-90 Ohm
	045703-03-000	EA	Hose Asm. - LP - 3/8" I.D. x 14"
	017737-02-000	EA	Support - LP Tank - 89.25"
	047737-03-000	EA	Support - LP Tank - 30.50"
			Not Illustrated

LOUNGE GROUP

Key	Part Number	U/M	Description
	039631-01-700	EA	Cabinet Asm. - Gaucho
	039631-01-701	EA	Door Asm. - Gaucho - 10 5/8" x 14" - w/o Hardware
	039586-01-701	EA	Door Asm. - Wardrobe w/o Hardware
	039585-01-700	EA	Cabinet Asm. - Buffet - w/o Doors, Drawers, Top or Hardware
	039585-01-701	EA	Door Asm. - Buffet - 16 5/8" x 25 1/2" - w/o Hardware
	039585-01-702	EA	Door Asm. - Buffet - 5 7/8" x 29 1/4" - w/o Hardware
	039585-01-703	EA	Countertop Asm. - Buffet - Butcher Block
	039585-01-704	EA	Drawer Asm. - Buffet - 6 3/8" x 20 1/2" - w/o Hardware
	039587-01-700	EA	Cabinet Asm. - Fold Down Table - Butcher Block
	039587-01-701	EA	Table Asm. - Fold Down - w/o Hardware - Butcher Block

WATER AND SEWAGE GROUP

PLUMBING REPAIR PARTS

Key	Part Number	U/M	Description
	010201-01-000	EA	Hose - Sewer - 3" x 10' w/Clamp
	010205-01-000	EA	Valve - Sanitary - Thatford 3XB
	010234-01-000	EA	Bayonet - Sewer Hose - Plastic
	010235-01-000	EA	Cap - Sewage - 3" - Plastic
	010236-01-000	EA	Adaptor - 3" Sewage Hose
	011066-01-000	EA	P-Trap - 1 1/4" Plastic
	011091-01-000	EA	Waste - Continuous - Double Sink - 11 7/8"
	011005-01-000	EA	Spout - Water Fill w/Gauge
	700066-01-000	EA	Gauge - Water Fill Spout
	011024-01-000	EA	Sending Unit - Water Tank - 5 Wire
	039081-01-000	EA	Sending Unit Kit - Holding Tank
	011001-01-001	EA	Compressor - Air - 12 Volt - PAR - 7000K
	004020-01-000	QT	Cement - ABS - Plastic Pipe Fittings
	046524-01-000	EA	Kit - Plastic Fittings for Holding Tanks
	011002-01-000	EA	Compressor - Air - 12 Volt - Intercompressor FX
	041278-02-000	EA	Water Pump - 3.7 G.P.M. - PAR
	041279-02-000	EA	Water Pump - 2.8 G.P.M. - PAR
	041256-01-000	EA	Accumulator Tank - Air - PAR
	046524-02-000	EA	Kit - Plastic Fittings for Plastic Water Tanks
	039818-01-000	EA	Riser Asm. - 3/8" x 24" - Plastic Tube
	039818-02-000	EA	Riser Asm. - 3/8" x 36" - Plastic Tube
	039818-03-000	EA	Riser Asm. - 3/8" x 18" - Plastic Tube
	039818-04-000	EA	Riser Asm. - 3/8" x 72" - Plastic Tube
	039818-05-000	EA	Riser Asm. - 3/8" x 48" - Plastic Tube

WATER HEATERS

Key	Part Number	U/M	Description
**	031952-01-000	EA	Water Heater - G6A2 (w/o Motor Aid)
**	051391-01-000	EA	Water Heater - G6A3 (w/o Motor Aid)
**	031992-01-000	EA	Water Heater - GH6 (w/Motor Aid)
**	051392-01-000	EA	Water Heater - GH63 (w/Motor Aid)

**The illustrated parts breakdown for this item is provided on the Common Items Fiche.

WATER AND SEWAGE HOLDING TANKS

Key	Part Number	U/M	Description
	039605-01-000	EA	Tank Asm. - Holding - 35 Gallon - w/Fittings - Main
	014903-01-000	EA	Tank Asm. - Holding - 35 Gallon - w/o Fittings - Main
	039604-01-000	EA	Tank Asm. - Holding - 14 Gallon - w/Fittings - Aux.
	038831-01-000	EA	Tank Asm. - Holding - 14 Gallon - w/o Fittings - Aux.
	043181-01-000	EA	Tank Asm. - Plastic - Water - 60 Gallon - w/Fittings
	039641-01-000	EA	Tank Asm. - Plastic - Water - 50 Gallon - w/o Fittings

1975 ITASCA TABLE OF CONTENTS

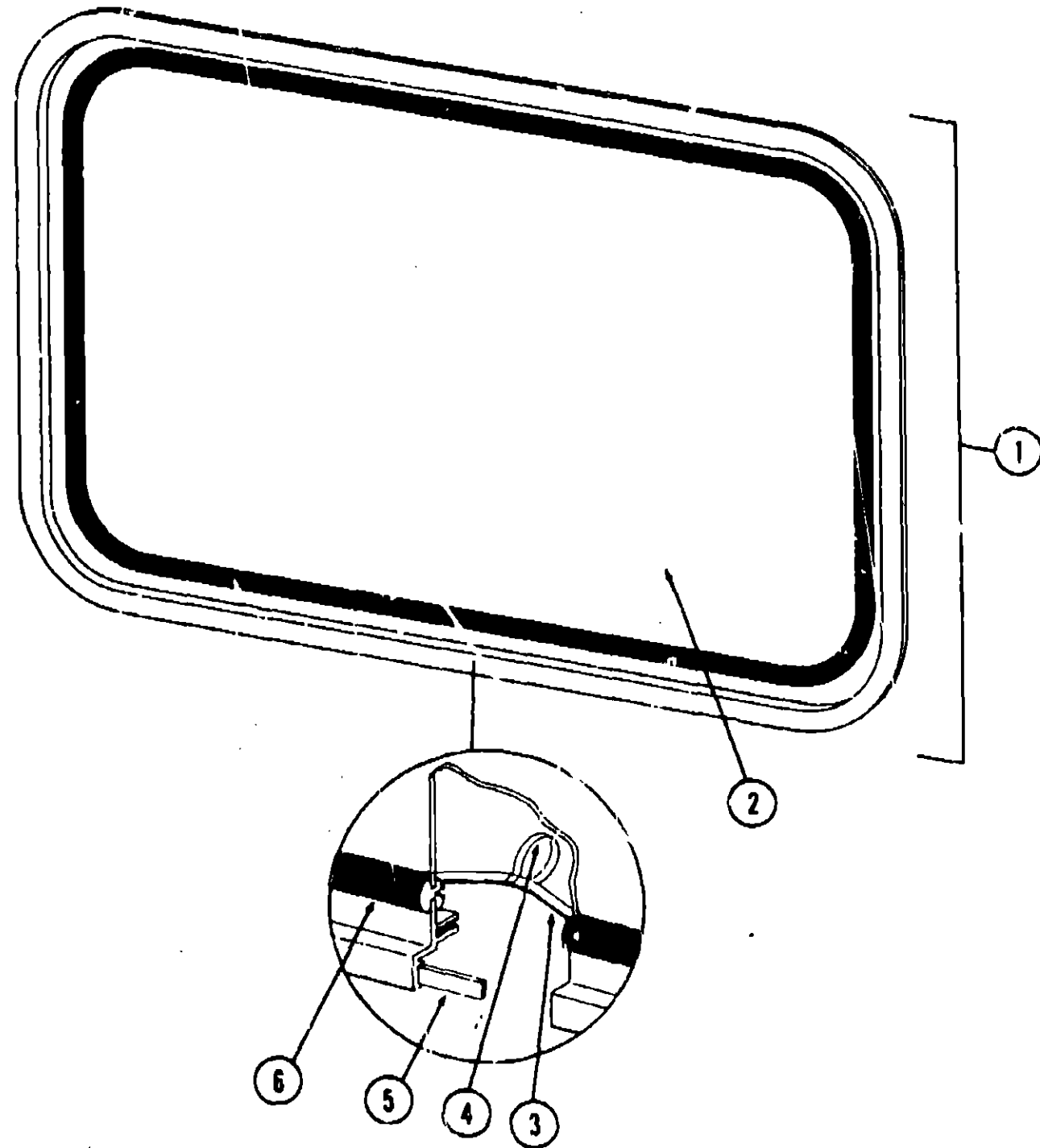
Introduction	A-1
Abbreviations	A-1
Alphabetical Index	A-2 - A-4
C24C	A-5 - B-12
C25A	B-13 - D-2
C27A	D-3 - E-16
C27AL	E-17 - G-6

1975 C24C INDEX

Floor Plan	A-5 - A-6
Accessories Group	A-7
Bath Group	A-8
Chassis Group	A-9 - A-10
Curtain, Cushion & Pad Group	A-11 - A-13
Dinette Group	A-14
Driver's Compartment Group	A-14
Electrical Group	A-15 - A-16
Exterior Body Group	A-17 - A-20
Galley Group	A-21
Heating & Air Conditioning Group	A-22
Interior Finish Group	A-23 - A-24
LP Group	B-1
Lounge Group	B-1
Water & Sewage Group	B-2
Window, Vent & Exterior Door Group	B-3 - B-12

WINDOW, VENT AND EXTERIOR DOOR GROUP

WINDOW, VENT AND EXTERIOR DOOR GROUP (CONTINUED)



Key	Part Number	U/M	Description
1	020751-03-000	EA	Window Asm. - Rear Escape - 23" x 23" - Black Anod. w/o Inside Frame
2	002174-01-000	EA	Glass - Window - 1/8" x 19.6" x 25.9"
3	002285-01-000	FT	Filler - Weatherstrip - Black
4	020395-01-000	EA	Slip Ring - Escape Window
5	004363-01-000	FT	Tape Foam - 3/16" x 1/2" - Gray
6	002282-01-000	FT	Weatherstrip - .125" - Black
.	020749-03-000	EA	Frame - Escape Window - Inside - 23" x 29" (Not included in window assembly)
.	020785-01-000	EA	Tab - Pull
.	008199-01-000	EA	Label - Exit - Escape Window
.			Not Illustrated

Key	Part Number	U/M	Description
1	041936-02-000	EA	Window Asm. - Front Picture - 14" x 69" - w/o Inside Frame
2	002200-02-000	EA	Glass - TP - Picture Window
3	004363-01-000	FT	Tape - Foam - 3/16" x 1/2" - Sealer
4	002281-01-000	FT	Weatherstrip - Self Seal - .06" Panel x 3/16" - Black
.	037845-01-000	FT	Tape - Butyl - Window - 3/16" - Bead Black
.	041938-01-000	EA	Frame - Inside - Picture Window (not included in assembly)
.			Not Illustrated

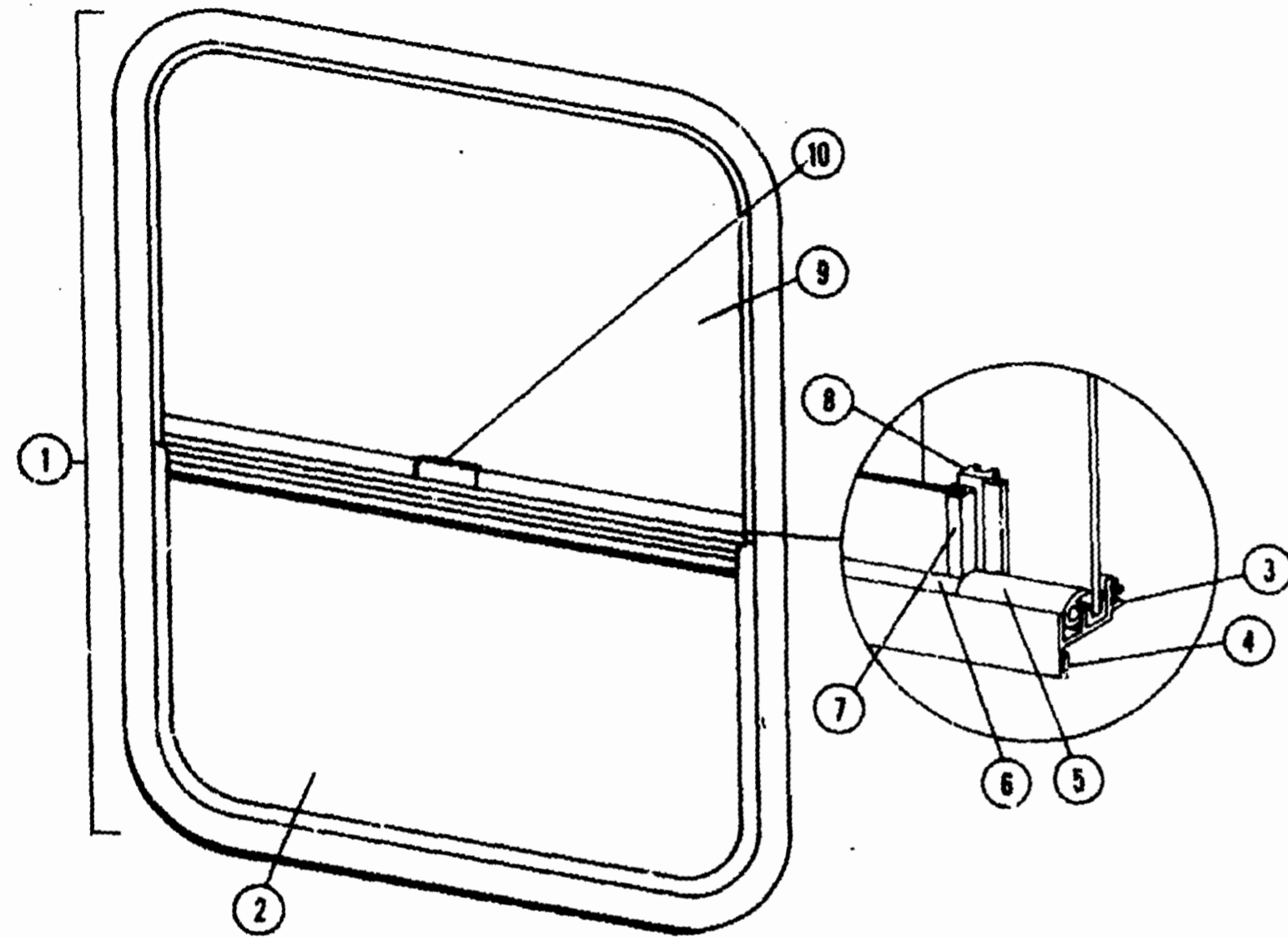
**1975 ITASCA
TABLE OF CONTENTS**

Introduction	A-1
Abbreviations	A-1
Alphabetical Index	A-2 - A-4
C24C	A-5 - B-12
C25A	B-13 - D-2
C27A	D-3 - E-16
C27AL	E-17 - G-6

1975 C24C INDEX

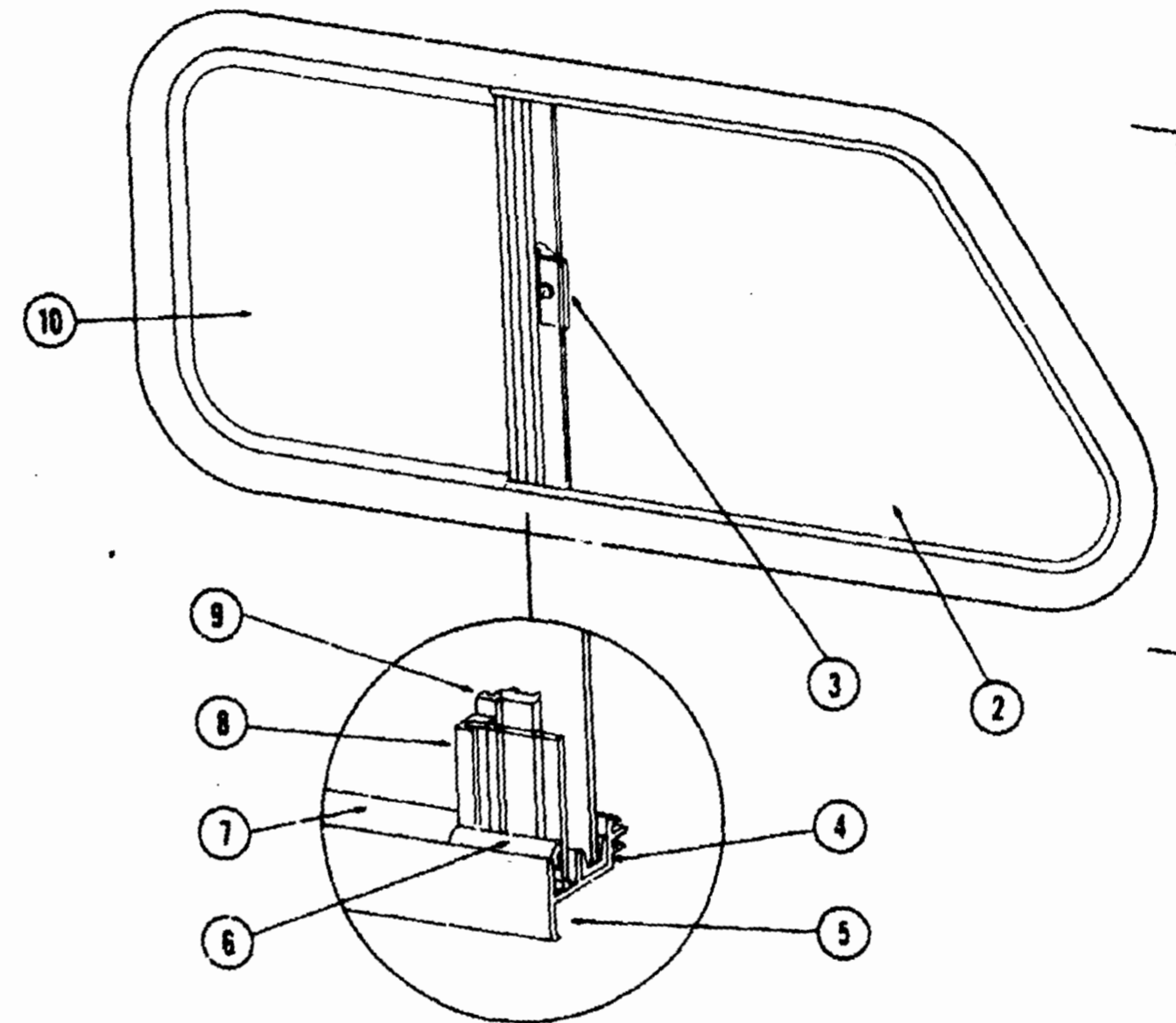
Floor Plan	A-5 - A-6
Accessories Group	A-7
Bath Group	A-8
Chassis Group	A-9 - A-10
Curtain, Cushion & Pad Group	A-11 - A-13
Dinette Group	A-14
Driver's Compartment Group	A-14
Electrical Group	A-15 - A-16
Exterior Body Group	A-17 - A-20
Galley Group	A-21
Heating & Air Conditioning Group	A-22
Interior Finish Group	A-23 - A-24
LP Group	B-1
Lounge Group	B-1
Water & Sewage Group	B-2
Window, Vent & Exterior Door Group	B-3 - B-12

WINDOW, VENT AND EXTERIOR DOOR GROUP (CONTINUED)



Key	Part Number	U/M	Description
1	014670-06-000	EA	Window Asm. - Vertical Slider - 13" x 20" (Inside frame not included in asm.)
2	002202-01-000	EA	Glass - 1/8" x 12" x 9.067" - Sliding
3	002324-01-000	FT	Channel - Weatherstrip - Glass Run - 1/8" Glass
4	004363-01-000	FT	Tape - Foam - 3/16" x 1/2" - Gray
5	002309-02-000	FT	Spline - Glass - 1/8" - Black
6	002283-02-000	FT	Seal - Window Channel - Black
7	018025-03-000	EA	Holder - Glass Seal - 1/8" - Black
8	018014-05-000	EA	Mullion - Slider Window
9	002201-01-000	EA	Glass - 1/8" x 12" x 11.797" - Stationary
10	023275-01-000	EA	Latch Asm. - Alum.
.	022991-01-000	EA	Frame Asm. - Inside - Window (Not included in assembly)
.	023713-02-000	EA	Weephole Cover - Plastic - Black
.	002292-01-000	SF	Screen - Window - 20" - Gray
.	002298-01-000	FT	Spline - Gray - .130" Dia.
.			Not Illustrated

WINDOW, VENT AND EXTERIOR DOOR GROUP (CONTINUED)



Key	Part Number	U/M	Description
1	048632-03-000	EA	Window Asm. - Bunk - Slanted Slider - Right w/o Inside Frame
	048632-04-000	EA	Window Asm. - Bunk - Slanted Slider - Left - w/o Inside Frame
2	040919-01-000	EA	Glass - 1/8" x 11.98" x 19.42" - Gray - Stationary
3	047369-01-700	EA	Latch - Window - Plastic w/Fastener
4	002324-01-000	FT	Channel - Weatherstrip - Glass Run - 1/8" Glass
5	004363-01-000	FT	Tape - Foam - 3/16" x 1/2" - Gray
6	002309-02-000	FT	Spline - Glass - 1/8" - Black
7	024036-02-000	FT	Seal - Window Channel - Black
8	002390-02-001	EA	Holder - Glass Seal - Extr. - Anod.
9	041894-10-000	EA	Mullion - 13" - Clear Anod.
10	047815-01-000	EA	Glass - 1/8" x 11.98" x 11.81" - Gray
.	040916-01-000	EA	Frame - Window - Inside - Right (Not included in assembly)
.	040916-02-000	EA	Frame - Window - Inside - Left (Not included in assembly)
.	023713-02-000	EA	Cover - Weephole - Black Plastic
.	002298-01-000	FT	Spline - Gray - .130" Dia. (Screen)
.	002292-01-000	SF	Screen - Window - 20" - Gray
.			Not Illustrated

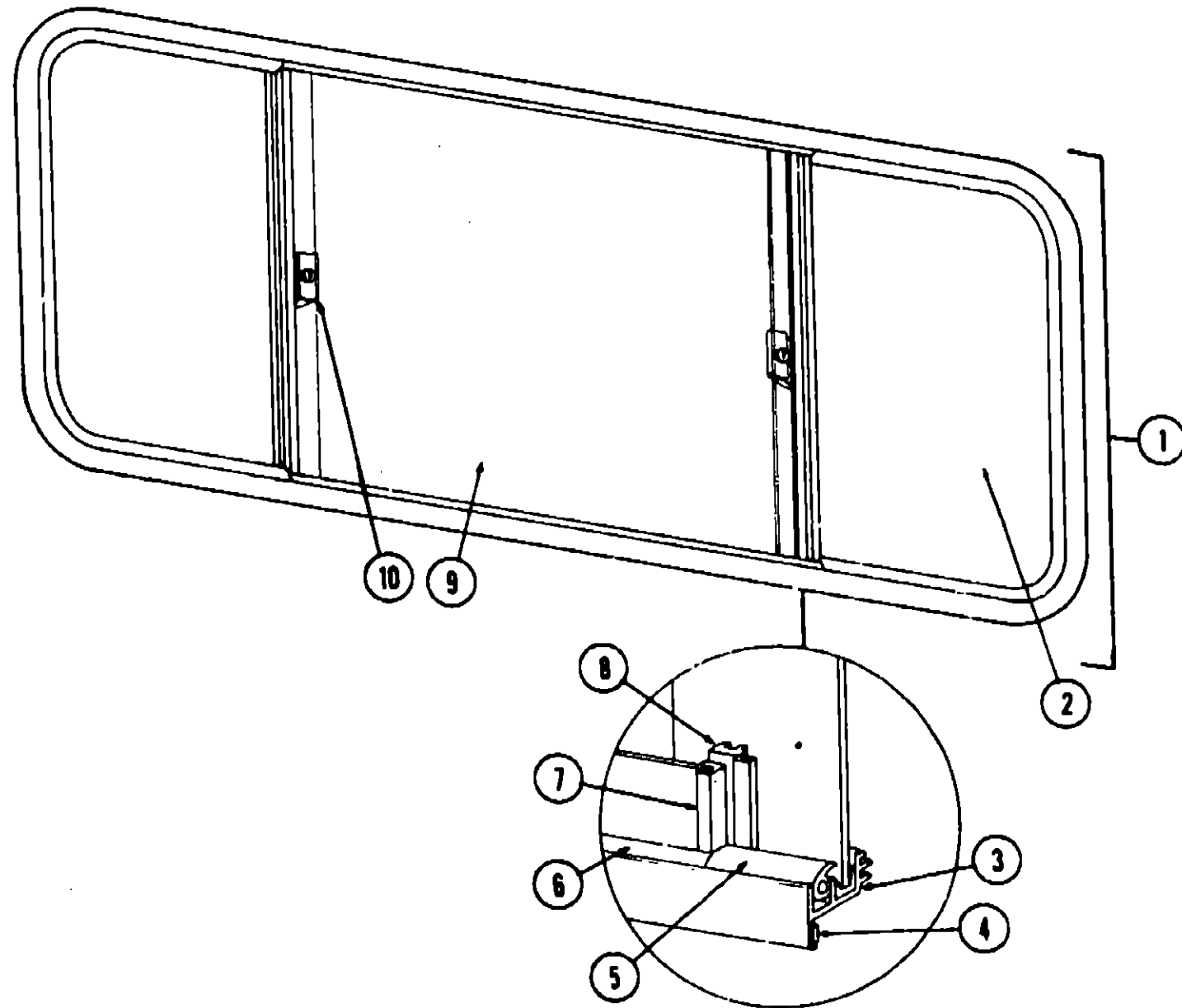
1975 ITASCA
TABLE OF CONTENTS

Introduction	A-1
Abbreviations	A-1
Alphabetical Index	A-2 - A-4
C24C	A-5 - B-12
C25A	B-13 - D-2
C27A	D-3 - E-16
C27AL	E-17 - G-6

1975 C24C INDEX

Floor Plan	A-5 - A-6
Accessories Group	A-7
Bath Group	A-8
Chassis Group	A-9 - A-10
Curtain, Cushion & Pad Group	A-11 - A-13
Dinette Group	A-14
Driver's Compartment Group	A-14
Electrical Group	A-15 - A-18
Exterior Body Group	A-17 - A-20
Galley Group	A-21
Heating & Air Conditioning Group	A-22
Interior Finish Group	A-23 - A-24
LP Group	B-1
Lounge Group	B-1
Water & Sewage Group	B-2
Window, Vent & Exterior Door Group	B-3 - B-12

WINDOW, VENT AND EXTERIOR DOOR GROUP (CONTINUED)



Key	Part Number	U/M	Description
1	048630-08-000	EA	Window Asm. - Double Slider - 25" x 65" - Black Anod. - w/Plastic Latch w/o Inside Frame
2	047822-01-000	EA	Glass - 3/16" x 24" x 21.028" - Sliding w/Holes (used w/Plastic Latch)
	002187-02-000	EA	Glass - 3/16" x 24" x 21.028" - Sliding w/o Holes (used w/Alum. Latch)
3	042077-01-000	FT	Channel - Weatherstrip - Glass Run - 3/16" Glass
4	004363-01-000	FT	Tape - Foam - 3/16" x 1/2" - Gray
5	041982-01-000	FT	Seal - Window Channel - 3/16" (used w/Window w/Plastic Latch)
	002283-02-000	FT	Seal - Window Channel - 3/16" (used w/Window w/Alum. Latch)
6	050218-02-000	FT	Spline - Glass - 3/16" - Black
7	002389-03-203	EA	Holder - Glass Seal - Black Anod.
8	041894-04-000	EA	Mullion - Slider Window - 25" (used w/Plastic Latch)
	018014-05-000	EA	Mullion - Slider Window (used w/Alum. Latch)
9	002188-02-000	EA	Glass - 3/16" x 24" x 25" - Stationary
10	047369-01-700	EA	Latch Asm. - Window - Plastic w/Fastener
	023275-01-000	EA	Latch Asm. - Window Alum.
	041839-01-000	FT	Tape - Foam - Alum. Window Latch
	002298-01-000	FT	Spline - Screen - .130" Dia. - Gray
	002293-01-000	SF	Screen - Window - 26" Gray
	023713-02-000	EA	Cover - Weephole - Black Plastic
	042133-04-000	EA	Frame - Window - Inside - 25" x 65" (used w/Plastic Latch)
	035277-04-000	EA	Frame - Window - Inside - 25" x 65" (used w/Alum. Latch)

WINDOW, VENT AND EXTERIOR DOOR GROUP (CONTINUED)

ACCESS DOORS

Key	Part Number	U/M	Description
	003182-03-000	EA	Door - Water Heater - Off White
	016088-02-000	EA	Door Assembly - 9" x 10" - Off White - Right
	016633-06-000	EA	Door Assembly - Refrigerator - Off White
	037804-05-000	EA	Door Assembly - Battery
	047305-01-000	EA	Lock Assembly - Key Type w/Clip
	039884-01-000	EA	Lock Assembly - Twist Type w/Clip
	016945-02-000	EA	Holder Assembly - Battery and Luggage Door
	037433-06-000	EA	Door Assembly - Generator - Off White
	047802-01-000	EA	Baffle - Door - Generator
	007067-01-000	SF	Insulation - Fiberglass - 1"
	009065-01-000	EA	Hinge - Continuous Aluminum - 1 1/2" x 96" - Plain
	037804-05-000	EA	Door Assembly - LP - Off White
	041330-02-000	EA	Door Asm. - Trunk Radius - 21" x 35"
	041312-01-000	FT	Seal - Bulb - Jamb
	009009-01-000	EA	Lock-T Handle - Bent Cam

VENTS

Key	Part Number	U/M	Description
	009407-01-000	EA	Vent Asm. - Base - Refrigerator Vent - w/o Cover
	039778-01-000	EA	Cover - Plastic - Refrigerator Vent
	003213-03-000	EA	Vent - Stovehood - Outside w/o Damper - Off White - Strawsline

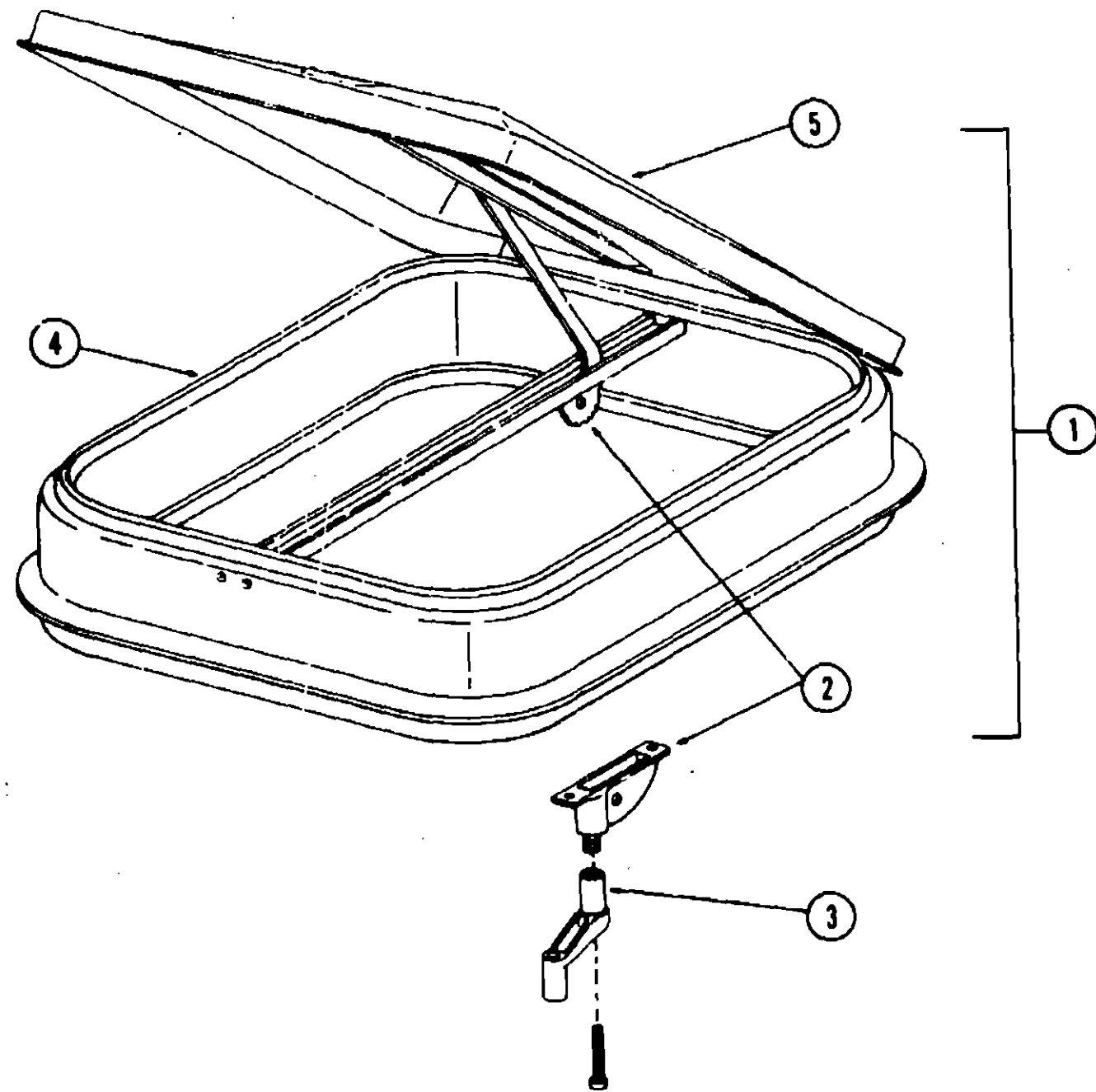
**1975 ITASCA
TABLE OF CONTENTS**

Introduction	A-1
Abbreviations	A-1
Alphabetical Index	A-2 - A-4
C24C	A-5 - B-12
C25A	B-13 - D-2
C27A	D-3 - E-16
C27AL	E-17 - G-8

1975 C24C INDEX

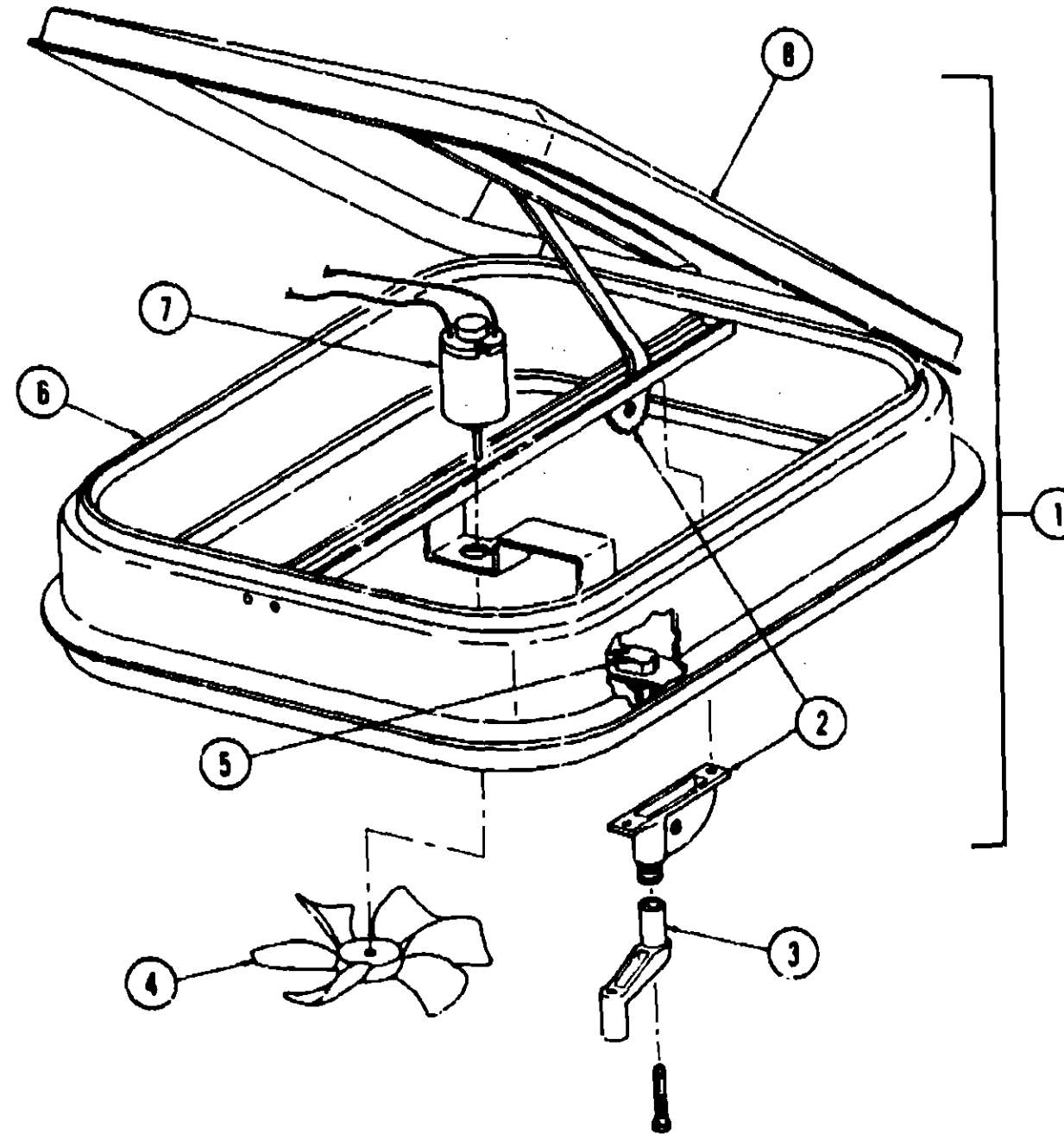
Floor Plan	A-5 - A-8
Accessories Group	A-7
Bath Group	A-8
Chassis Group	A-9 - A-10
Curtain, Cushion & Pad Group	A-11 - A-13
Dinette Group	A-14
Driver's Compartment Group	A-14
Electrical Group	A-15 - A-16
Exterior Body Group	A-17 - A-20
Galley Group	A-21
Heating & Air Conditioning Group	A-22
Interior Finish Group	A-23 - A-24
LP Group	B-1
Lounge Group	B-1
Water & Sewage Group	B-2
Window, Vent & Exterior Door Group	B-3 - B-12

WINDOW, VENT AND EXTERIOR DOOR GROUP (CONTINUED)



Key	Part Number	U/M	Description
1	048835-01-000	EA	Vent Asm. - Roof - Non Powered - w/o Screen
2	009440-01-000	EA	Gear - Arm - Roof Vent
3	009439-01-000	EA	Crank - Roof Vent
4	002825-01-000	FT	Weatherstrip - Roof Vent
5	048825-01-000	EA	Cover - Plastic - Roof Vent
.	016335-01-000	EA	Screen Asm. - Non Powered Roof Vent - Clear Anod. (Not included in assembly)
.			Not Illustrated

WINDOW, VENT AND EXTERIOR DOOR GROUP (CONTINUED)



Key	Part Number	U/M	Description
1	048789-01-000	EA	Vent Asm. - Roof - Powered - w/o Screen
2	009440-01-000	EA	Gear - Arm - Roof Vent
3	009439-01-000	EA	Crank - Roof Vent
4	048649-01-000	EA	Fan - Blade - 6" - Plastic
.	009442-01-000	EA	Fan - Blade - Alum.
5	008195-01-000	EA	Switch - Push Button - 12 Volt
6	002825-01-000	FT	Weatherstrip - Roof Vent
7	048848-01-000	EA	Motor - 12 Volt (Vent w/Plastic Fan)
.	009441-01-000	EA	Motor - 12 Volt (Vent w/Alum. Fan)
8	048825-01-000	EA	Cover - Plastic - Roof Vent (Vent w/Plastic Fan)
.	016336-01-000	EA	Cover - Plastic - Roof Vent (Vent w/Alum. Fan)
.	048695-01-000	EA	Screen Asm. - Powered Roof Vent - Clear Anod. - Vent w/Plastic Fan (Not included w/assembly)
.	016337-01-000	EA	Screen Asm. - Powered Roof Vent - Clear Anod. - Vent w/Alum. Fan (Not included w/assembly)
.			Not Illustrated

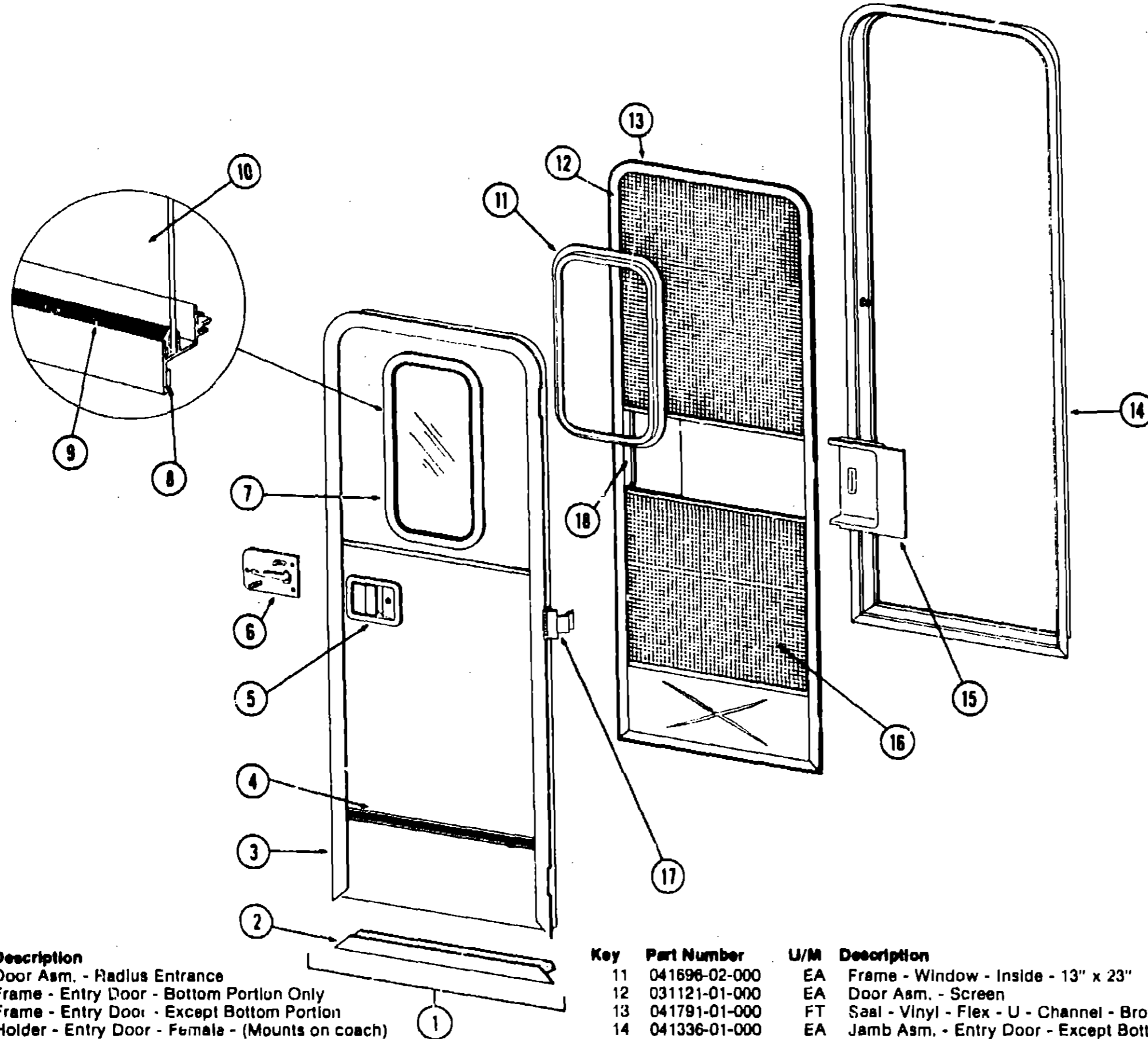
**1975 ITASCA
TABLE OF CONTENTS**

Introduction	A-1
Abbreviations	A-1
Alphabetical Index	A-2 - A-4
C24C	A-5 - B-12
C25A	B-13 - D-2
C27A	D-3 - E-16
C27AL	E-17 - G-6

1975 C24C INDEX

Floor Plan	A-5 - A-6
Accessories Group	A-7
Bath Group	A-8
Chassis Group	A-9 - A-10
Curtain, Cushion & Pad Group	A-11 - A-13
Dinette Group	A-14
Driver's Compartment Group	A-14
Electrical Group	A-15 - A-16
Exterior Body Group	A-17 - A-20
Galley Group	A-21
Heating & Air Conditioning Group	A-22
Interior Finish Group	A-23 - A-24
LP Group	B-1
Lounge Group	B-1
Water & Sewage Group	B-2
Window, Vent & Exterior Door Group	B-3 - B-12

WINDOW, VENT AND EXTERIOR DOOR GROUP (CONTINUED)



Key	Part Number	U/M	Description
1	039751-01-000	EA	Door Asm. - Radius Entrance
2	039736-01-000	EA	Frame - Entry Door - Bottom Portion Only
3	039737-01-000	EA	Frame - Entry Door - Except Bottom Portion
4	009101-02-000	EA	Holder - Entry Door - Female - (Mounts on coach)
5	041948-01-000	EA	Kit - Radius Door - Lock - Complete
6	039541-01-000	EA	Lock Cylinder w/Keys
7	039539-01-000	EA	Striker - Entry Door Lock
8	039979-01-000	EA	Plate - Lock - Interior - Including Inside Handle
9	041875-02-000	EA	Window Asm. - Picture - 13" x 23" - Black (Inside frame not included in assembly.)
10	004363-01-000	FT	Tape - Foam - 3/16" x 1/2" - Gray
11	002309-02-000	FT	Spline - Glass - 1/8" - Black
12	002181-01-000	EA	Glass - Picture Window - 1/8" x 12" x 22" - Gray

B-11

Key	Part Number	U/M	Description
11	041696-02-000	EA	Frame - Window - Inside - 13" x 23"
12	031121-01-000	EA	Door Asm. - Screen
13	041791-01-000	FT	Seal - Vinyl - Flex - U - Channel - Brown
14	041336-01-000	EA	Jamb Asm. - Entry Door - Except Bottom Portion
15	051049-01-000	EA	Jamb - Entry Door - Bottom Portion Only
16	015580-01-000	EA	Slider - Screen Door - Brown Plastic
17	002293-01-000	SF	Screen - Window - 26" - Gray
18	039520-01-000	EA	Hinge - Entrance Door (3 used per door)
19	015581-01-000	EA	Cap - Screen Door - Brown Plastic
20	051390-01-000	FT	Seal - Jamb - Rubber Bulb
21	039863-01-000	EA	Catch Asm. - Single Roller w/Strike - Screen Door
22	009016-01-000	EA	Catch Asm. - Elbow - Spring Loaded - Screen Door
23	Not Illustrated		

B-12

**1975 ITASCA
TABLE OF CONTENTS**

Introduction	A-1
Abbreviations	A-1
Alphabetical Index	A-2 - A-4
C24C	A-5 - B-12
C25A	B-13 - D-2
C27A	D-3 - E-16
C27AL	E-17 - G-6

1975 C24C INDEX

Floor Plan	A-5 - A-6
Accessories Group	A-7
Bath Group	A-8
Chassis Group	A-9 - A-10
Curtain, Cushion & Pad Group	A-11 - A-13
Dinette Group	A-14
Driver's Compartment Group	A-14
Electrical Group	A-15 - A-16
Exterior Body Group	A-17 - A-20
Galley Group	A-21
Heating & Air Conditioning Group	A-22
Interior Finish Group	A-23 - A-24
LP Group	B-1
Lounge Group	B-1
Water & Sewage Group	EJ-2
Window, Vent & Exterior Door Group	B-3 - B-12