

# VECTRA

## TO THE OWNER

Congratulations! We welcome you to the exciting world of motor home travel and camping. You will find it convenient and enjoyable to have all the comforts of home and still enjoy the great outdoors wherever you choose to go.

Your motor home has been carefully designed, engineered and manufactured to provide dependability as well as safety. Before sliding into the driver's seat, take a few minutes to become familiar with operations and features. This manual was prepared to aid you in the proper care and operation of the vehicle and equipment. We urge you to read it completely. In addition, spend some time with the dealer when you take delivery, you will want to learn all you can about your new motor home.

Your new motor home is covered by a factory warranty against defects in material and workmanship. This warranty should be validated at once and returned to the factory by your dealer.

Read and understand all instructions and precautions in this manual before operating your new motor home.

Throughout this manual, certain items are labeled NOTE, CAUTION and WARNING. These terms alert you to precautions that can involve risk to your vehicle or to your personal safety. Read and follow them carefully.

*NOTE: Indicates a special point of information.*

### CAUTION

Indicates a failure to observe can cause damage to vehicle or equipment.

### WARNING

This symbol is used to alert you to precautions that involve your personal safety as well as vehicle damage. Read and follow them carefully.

OWNER'S NAME
STREET ADDRESS
CITY AND STATE (OR PROVINCE IN CANADA)
MOTOR HOME SERIAL NUMBER
VEHICLE CHASSIS IDENTIFICATION NO. (VIN)
DATE OF DELIVERY TO FIRST RETAIL PURCHASER
VEHICLE MILEAGE AT TIME OF DELIVERY
SELLING DEALER NAME AND ADDRESS

### TANK CAPACITIES

#### Vehicle Fuel Tank

Chevy Chassis .....	78 gal.
Ford Chassis .....	75 gal.
Freightliner Diesel Chassis .....	90 gal.
Spartan Diesel Chassis .....	100 gal.

#### LP Gas Tank

Models on Chevy or Ford Chassis.....	23 gal./100 lbs.
Models on Freightliner or Spartan Diesel Chassis.....	30 gal./130 lbs.

#### Fresh Water Tank

Models 33RQ, 34RA, 34RQ*, 34WQ, 36WA & 36WK .....	70 gal.
Models 31RQ, 35WQ & 37RW.....	80 gal.
Models 34RQ** & 37RQ .....	86 gal.

(\*w/Chevy chassis - \*\*w/Freightliner or Spartan chassis)

#### Water Heater

All Models .....	6 gal.
------------------	--------

#### Black Water Holding Tank (Tank 1)

Model 31RQ (Toilet) .....	49 gal.
Model 33RQ, 37RW, 34RQ, & 35RQ (Toilet) .....	55 gal.
Model 34RA (Toilet & Lavatory) .....	55 gal.
Models 34WQ & 36WK (Toilet) .....	46 gal.
Model 36WA (Toilet & Lavatory) .....	46 gal.
Model 35WQ (Toilet & Galley) .....	59 gal.

#### Gray Water Holding Tank (Tank 2)

Model 31RQ, 33RQ, 37RW, 34RQ & 35RQ (Galley, Lavatory & Shower) .....	50 gal.
Model 34RA (Galley & Shower) .....	50 gal.
Model 35WQ (Lavatory & Shower) .....	46 gal.
Models 34WQ & 36WK (Galley, Lavatory & Shower) .....	59 gal.
Model 36WA (Galley & Shower) .....	59 gal.

# TABLE OF CONTENTS

## INTRODUCTION

Vehicle Chassis Manual .....	0-1
Motor Home Operations Manual (Binder).....	0-1
Before Driving.....	0-1
Service Assistance.....	0-2
Warranty.....	0-2
Drinking and Driving.....	0-2
Reporting Safety Defects.....	0-2
Vehicle Certification Label .....	0-4
Exterior Feature Identification.....	0-5

## SECTION 1: SAFETY PRECAUTIONS

General Warnings.....	1-1
Driving .....	1-1
Fuel & LP Gas.....	1-2
LP Gas Leaks .....	1-3
LP Gas Alarm .....	1-3
Electrical.....	1-4
Loading .....	1-4
Maintenance.....	1-4
Formaldehyde Warning .....	1-5
Carbon Monoxide Warning .....	1-5
Carbon Monoxide Alarm.....	1-5
Emergency Exit Window .....	1-6
Safety Devices	
Fire Extinguisher .....	1-7
Smoke Alarm .....	1-7

## SECTION 2: DRIVING YOUR MOTOR HOME

Before Entering .....	2-1
Before Driving.....	2-1
Fuel Selection.....	2-2
Gasoline Fuel Fill.....	2-2
Fuel Tank Capacity.....	2-2
Starting and Stopping Engine.....	2-3
Brake-Shift Interlock.....	2-3
Parking Brake.....	2-3
Hazard Warning Lights.....	2-3
Fuel Pump Shut-Off Switch.....	2-3
Door Locks and Handles .....	2-4
Power Locks .....	2-5
Power Window .....	2-5
Keys.....	2-5
Keyless Entry System .....	2-5

Entrance Steps .....	2-6
Seats.....	2-6 - 2-8
Seat Belts.....	2-8
Child Restraints.....	2-10
Mirrors.....	2-10
Instrument Panel .....	2-11
Multi-Function Signal Lever .....	2-12
Windshield Wiper/Washer Switch .....	2-12
Speed Control (Cruise).....	2-12
Comfort Controls .....	2-12
Heating.....	2-13
Defrosting .....	2-13
Ventilation .....	2-13
Air Conditioning .....	2-13
Rear Auto Heater .....	2-13
Radio/Cassette Player .....	2-14
Sony Radio Security Reminder ...	2-14
Radio Switch .....	2-14
Compact Disc Player System.....	2-14
Aux. Start Switch.....	2-14
Auxiliary Battery Switch .....	2-14
CB Radio Wiring.....	2-15
SWR Adjustment.....	2-15
Coach Leveling System .....	2-15
HWH Computerized Leveling System	
4-Point.....	2-15
2-Point w/Park & Level .....	2-17
Jet Air Ride Suspension.....	2-18
Slide-out Room Extension .....	2-20

## SECTION 3: IN CASE OF DRIVING EMERGENCY

Hazard Flashers.....	3-1
Spare Tire .....	3-1
Tire Changing	
Safety Precautions.....	3-2
Front Wheel.....	3-2
Dual Rear Wheels.....	3-3
Wheel Nuts.....	3-3
Recovery Towing .....	3-3
Jump Starting.....	3-4
Connecting a Battery Charger.....	3-5
Engine Overheat.....	3-5

**SECTION 4: TRAVELING WITH YOUR MOTOR HOME**

Loading the Vehicle .....	4-1
Roof Loading .....	4-1
Trailer Towing .....	4-1
Pre-Travel Checklist .....	4-2
Equipping For Travel	
Emergency Equipment	
Checklist .....	4-3
Quick Loading Checklist .....	4-3
Travel Tips .....	4-4
Severe Weather Information .....	4-5
Nighttime Driving .....	4-6
Mountain Driving .....	4-6
Campsite Selection .....	4-7
Leveling .....	4-7
Blocking .....	4-7
Effects of Prolonged Occupancy ...	4-8
Humidity and Condensation .....	4-8

**SECTION 5: LP GAS SYSTEM**

LP Gas Supply .....	5-1
Safe Use of LP Gas System .....	5-1
How LP Gas Works .....	5-2
Selecting Fuel Types .....	5-2
LP Tank System .....	5-2
LP Tank Capacity .....	5-3
Refilling Tank .....	5-3
Air in the LP Gas Tank .....	5-3
Traveling with LP Gas .....	5-4
Regulator .....	5-4
LP Gas Leaks .....	5-5
Winter Use of LP Gas .....	5-5

**SECTION 6: ELECTRICAL SYSTEMS**

110-Volt AC System .....	6-1
External Power Cord (Shoreline) ...	6-1
Air Conditioner Power Switch .....	6-2
Power Converter .....	6-3
110-Volt Circuit Breakers .....	6-3
Charging Section .....	6-4
Thermal Overload Protector .....	6-4
110-Volt Receptacles (Outlets) .....	6-4
Ground Fault Circuit Interrupter (GFCI) .....	6-4
Auxiliary 110-Volt Generator	
Operating Instructions .....	6-5
12-Volt DC System .....	6-7
Automotive (Starting) Battery .....	6-7
Coach Batteries .....	6-7

12-Volt Circuit Breakers .....	6-7
Solar Panel Wiring .....	6-8
Solar Charger Panel (Optional) .....	6-8
Battery Access (Storage) .....	6-8
Battery Maintenance .....	6-8
Trailer Wiring Connector .....	6-10
Diesel Engine Block Heater .....	6-10

**SECTION 7: PLUMBING SYSTEMS**

Fresh Water System .....	7-1
Filling Water Tank .....	7-1
Fresh Water Tank Capacity .....	7-1
Water Pump .....	7-1
Water Pump Switches .....	7-2
Disinfection of Water Tank .....	7-2
External (City Water) Connector ...	7-3
Shower Hose Vacuum Breaker .....	7-3
Exterior Shower .....	7-4
Drainage System (Waste) .....	7-4
Dumping Holding Tanks .....	7-5
Using On-Site Sewer Hook-Ups .....	7-5
Holding Tank Level Indicators .....	7-5
Water Drain Valves .....	7-6, 7-8
Utility Light .....	7-6
Holding Tank Capacities .....	7-7
Water Drain Valve Locations .....	7-8

**SECTION 8: APPLIANCES AND INTERIOR FEATURES**

Refrigerator .....	8-1 - 8-3
Ice Maker .....	8-3
Range and Oven .....	8-6
Lighting Oven Pilot .....	8-7
Microwave Oven .....	8-8
Dishwasher/Microwave Switch .....	8-8
Washer-Dryer/Microwave Switch ...	8-8
Range Hood/Monitor Panel .....	8-9
Water Heater .....	8-10
Water Heater Capacity .....	8-10
Water Heater By-Pass Valve .....	8-11
Motor Aid Water Heater .....	8-12
LP Gas Furnace .....	8-12
Electronic Thermostat .....	8-13
Central Air Conditioner .....	8-14
Air Conditioner Filter .....	8-14
TV Antenna .....	8-15
TV Signal Amplifier .....	8-16
Cable TV Hook-Up .....	8-17
Video Control Center .....	8-17
DC-AC Electrical Voltage	



Inverter.....	8-17	<b>SECTION 10: STORING YOUR MOTOR HOME</b>	
Exterior Entertainment Center....	8-17	<b>HOME</b>	
Central Vacuum Cleaner.....	8-18	Preparing Vehicle For Storage....	10-1
Sleeping Facilities		Cold Weather Storage	
Couch/Bed Conversion.....	8-18	(Winterizing).....	10-1
Dinette/Bed Conversion.....	8-18	Removal From Storage .....	10-4
Fresh Water Toilet.....	8-18, 8-19		
Power Roof Vent.....	8-20		
Crank-Out Windows.....	8-20		
Slider Windows.....	8-20		
<b>SECTION 9: CARE AND MAINTENANCE</b>			
Roof.....	9-1		
Underbody.....	9-1		
Exterior.....	9-1		
Waxing and Polishing.....	9-1		
Compartment Doors.....	9-2		
Stripes and Decals.....	9-2		
Interior Maintenance			
Carpet.....	9-2		
Upholstery and Draperies..	9-2, 9-3		
Cabinets.....	9-3		
Tables and Countertops.....	9-3		
Vinyl Wallboard .....	9-3		
Flooring - Wood Plank.....	9-3		
Stainless Steel Sink .....	9-4		
Range and Refrigerator.....	9-4		
Bathroom .....	9-4		
Doors and Windows.....	9-4		
Window Shade Adjustment.....	9-4		
Vehicle Maintenance			
Chassis Service and			
Maintenance.....	9-5		
Engine Access .....	9-5		
Fuel/Water Separator			
(Diesel).....	9-6		
Engine Cooling System .....	9-6		
Tires .....	9-6		
Suspension Alignment and			
Tire Balance .....	9-7		
Rear Tag Axle and			
Suspension.....	9-7		
Windshield Washers and			
Wipers.....	9-9		
Lights.....	9-9		
Automotive 12-Volt Fuses and			
Breakers .....	9-9, 9-10		



# INTRODUCTION

---

Congratulations on the purchase of your new Vectra motor home, which has been carefully designed, engineered and quality built by Winnebago Industries, Inc.

## **OPERATOR'S MANUAL**

Please read this operator's manual thoroughly. It was prepared in order to provide you with information necessary to properly and safely operate your new motor home.

This manual describes those instruments, controls and instructions which are unique to this motor home. For information regarding all other equipment, controls and instructions not described herein, we urge you to read the "Chassis Operating Guide" and the equipment manufacturer's information provided in your "Motor Home Operation Manual".

This manual should be kept in the vehicle at all times for personal reference. The operator's manual, motor home operation manual and chassis operating guide are to be considered permanent components of this vehicle. They should remain in the vehicle when sold to provide the next owner with important safety, operating and maintenance information.

**NOTE:** *The descriptions, illustrations, and specifications in this manual were correct at the time of printing. We reserve the right to change specifications or design without notice, and without incurring obligation to install the same on products previously manufactured.*

## **CHASSIS OPERATING GUIDE**

Throughout this manual, frequent reference is made to the vehicle chassis operating guide. The chassis guide is the operator's manual provided by the manufacturer of the chassis on which this motor home is built (i.e., Chevrolet, Ford, etc.). Consult the chassis guide for operating safety and maintenance instructions pertaining to the chassis section of the motor home.

## **MOTOR HOME OPERATION MANUAL (Binder)**

Your Motor Home Operation Manual contains information supplied by manufacturers of individual appliances and equipment installed in your motor home.

Consult this information regarding the operation and care of appliances, accessories and special equipment.

## **OPTIONS AND EQUIPMENT**

This model is available in several sizes and floorplans, so accessories and components may differ slightly between models. Some equipment described in this manual may not apply to your coach.

## **BEFORE DRIVING**

Before sitting in the driver's seat, always check around your vehicle to be sure you have proper clearance for maneuvering. If necessary, have a passenger help guide you out of a difficult parking space.

Although your coach features automotive conveniences like power steering and power brakes, driving a motor home is different from driving a car. A motor home is larger and heavier than an automobile, so it

requires more stopping and passing distance, and more parking and maneuvering space than does a car.

Always be aware of the size of your motor home. The added height of roof air conditioners, TV antennas or luggage boxes may cause clearance problems around some tunnels, canopies and hanging signs. Know the height of your unit so you can observe posted clearance limits. Also, remember that some bridges, old ones in particular, may not support the weight of your motor home. Know the weight of your unit and observe any posted weight limits.

Remember: Always use your seat belt and be sure your passengers do so as well. We also advise making frequent rest stops while traveling to relieve stress on yourself, your passengers and your vehicle.

### **SERVICE AND ASSISTANCE**

Your dealer will be glad to provide any additional information you need, as well as answer any questions you might have about operating the equipment in your motor home. When it comes to service, remember that your dealer knows your vehicle best and is interested in your satisfaction. Your dealer will provide quality maintenance and any other assistance that you may require during your ownership of this vehicle.

If you need warranty repairs while traveling, however you may take your motor home to any Winnebago or Itasca dealership and they will assist you.

### **WARRANTY**

Your new vehicle is covered by a factory warranty against defects in material and workmanship. This warranty should be validated immediately and returned to the

factory by your dealer. For additional information, see your "New Vehicle Limited Warranty" included with this vehicle.

### **DRINKING AND DRIVING**

Winnebago Industries supports the recommendations of the Presidential Commission on Drunk Driving.

- Exercise your good judgement and encourage others to do the same.
- Know the legal limits and do not exceed them.
- Also know your personal limits, which may be lower than the legal limits.
- Should you ever exceed your limits, find alternative transportation; call a cab, ask a friend to drive you home or call a family member to come and get you.

The presence of alcohol in significant levels in the blood increases the probability that the driver will be involved in an accident.

### **REPORTING SAFETY DEFECTS**


If you believe that your vehicle has a defect which could cause a crash or could cause injury or death, you should immediately inform the National Highway Traffic Safety Administration (NHTSA) in addition to notifying Winnebago Industries, Inc.

If NHTSA receives similar complaints, it may open an investigation, and if it finds that a safety defect exists in a group of vehicles, it may order a recall and remedy campaign. However, NHTSA cannot become involved in individual problems between you, your dealer, or Winnebago Industries.

To contact NHTSA, you may either call the Auto Safety Hotline toll-free at 1-800-424-9393 (or 366-0123 in Washington, D.C. area) or write to: NHTSA, U.S. Department of Transportation, Washington, D.C. 20590. You can also obtain other information about motor vehicle safety from the Hotline.

## VEHICLE CERTIFICATION LABEL

This label contains vehicle identification and other important reference information. The vehicle certification label is located on the sidewall to the left of the steering wheel, or on the driver's door. Never remove or destroy this label.

MANUFACTURED BY 		INCOMPLETE VEHICLE MANUFACTURED BY ① MOTOR CORP.	
② GAWR:		MONTH AND YEAR OF MANUFACTURE: ③ GVWR ④ LB _____ KG	
FRT _____ LB _____ KG RR. ⑤ LB _____ KG	SUITABLE TIRE AND RIM CHOICE TIRE _____ ⑥ _____ ⑦	COLD INFLATION PRESSURE PSI _____ KPA SINGLE _____ ⑧ PSI _____ KPA _____ ⑨	
THIS VEHICLE CONFORMS TO ALL APPLICABLE FEDERAL MOTOR VEHICLE SAFETY STANDARDS IN EFFECT ON THE DATE OF MANUFACTURE SHOWN ABOVE.			
SERIAL NO. ⑩ _____ TYPE _____ ⑫	VIN _____ ⑪ _____ MODEL _____ ⑬	COLOR _____ ⑭	

### Explanation of Data

1. Chassis manufacturer.
2. Chassis manufacture date.
3. Month and year of manufacture at Winnebago Industries.
4. Gross Vehicle Weight Rating: Total permissible weight of the vehicle, including driver, passengers, total cargo carried (including all liquids) and equipped with all options.
5. Gross Axle Weight Rating: Total permissible weight allowed for the front, intermediate\* and rear axles (listed in pounds and kilograms).
6. Suitable Tire Choice: Tires recommended to meet handling and safety requirements. When replacing any of the tires on your vehicle, always replace with a tire that meets these specifications.
7. Suitable Rim Choice: Wheel rims recommended to meet handling and safety requirements. When replacing any of the rims on your vehicle, always replace with a rim that meets these specifications.
8. Cold Inflation Pressure: Inflation pressures recommended (while cold) for the tires originally equipped on

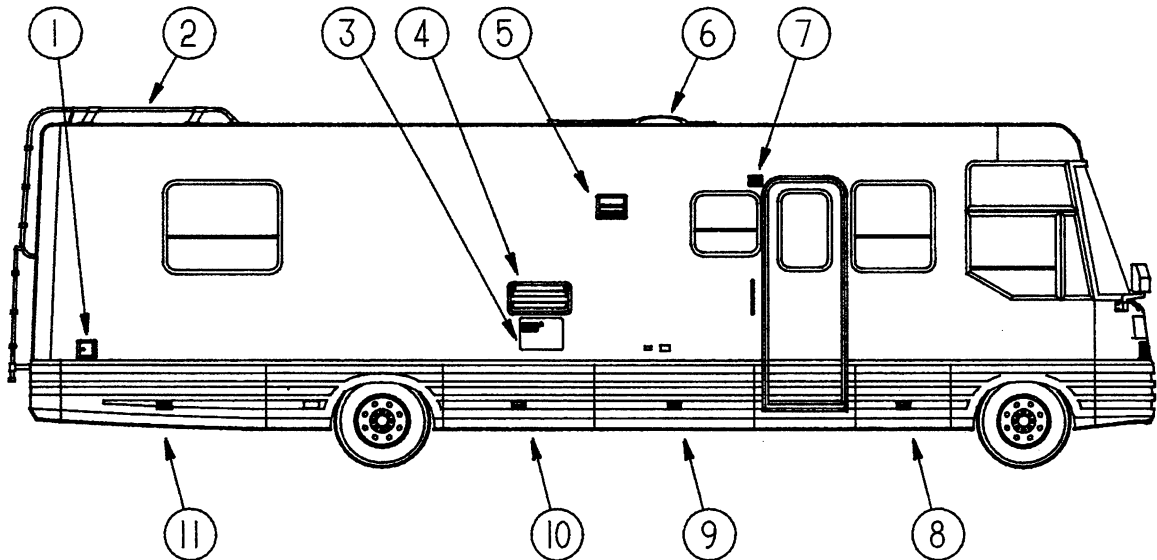
your vehicle. These pressure levels must be maintained to assure proper handling, safety and fuel economy.

9. Intermediate\* and Rear Axle Wheel Configuration: Single or Dual.
10. Serial Number: This is the serial number assigned to the completed vehicle by Winnebago Industries.
11. Vehicle Identification Number (VIN): This number identifies the chassis on which the motor home is built.
12. Type: States the NHTSA designated usage classification for your motor home. MPV signifies a Multi-purpose Passenger Vehicle.
13. Model: Lists the Winnebago product model number of your vehicle.
14. Color: Signifies the color code number of the decor used throughout the vehicle. This number is necessary for ordering replacement cushions, curtains, carpet, etc.

\*Intermediate (INT) data applies only to Class-A models equipped with tag axle.

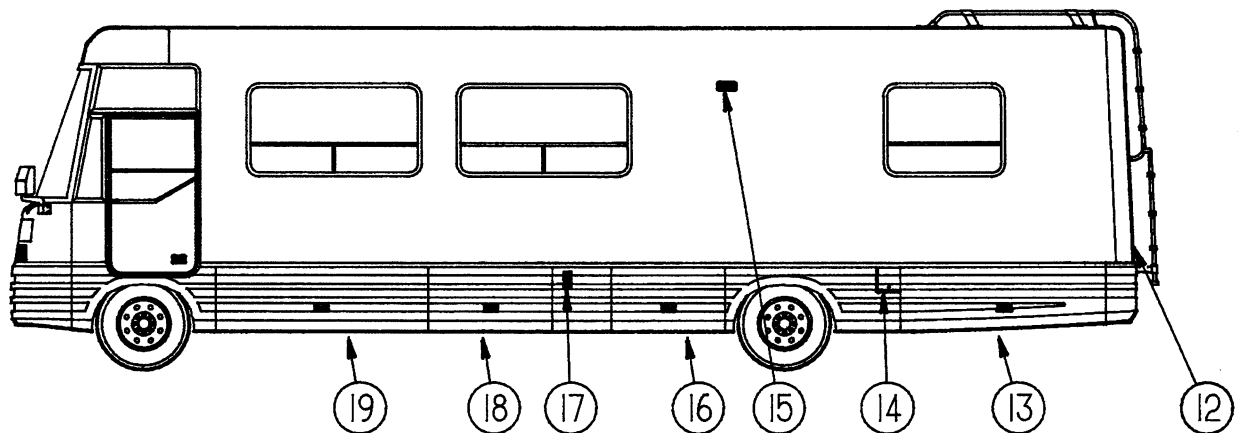
## EXTERIOR FEATURE IDENTIFICATION

Typical coach shown for illustration purposes only.  
Actual locations of features depends on coach model and options.



- 1. Fresh Water Tank Gravity Fill
- 2. Roof Rack and Ladder
- 3. Water Heater Access\*
- 4. Refrigerator Access
- 5. Range Hood Vent
- 6. TV Antenna
- 7. Porch Light
- 8. Storage Compartment
- 9. Storage Compartment\*\*\*\*
- 10. LP Gas Tank Compartment

- 11. Water Tank Compartment
- 12. Trunk
- 13. Auxiliary Generator Compartment\*\*
- 14. Fuel Fill
- 15. Exterior Light
- 16. Sewage Drain/Shoreline Compartment\*\*\*
- 17. Furnace Compartment\*
- 18. Central Air Conditioner Compartment
- 19. Storage/Spare Tire Compartment



NOTE: Some equipment shown may be optional.

- \* CAUTION: Be careful. These features may become HOT while water heater or furnace are in use.
- \*\* Also contains City Water/Tank Pressure Fill hookup
- \*\*\* Also contains Telephone and Cable TV hookups, and Exterior Shower
- \*\*\*\* Also contains Ext. Entertainment Center





# SECTION 1

## SAFETY PRECAUTIONS

---

Read and understand all instructions and precautions in this manual before operating your new motor home. Throughout this manual, certain items are labeled NOTE, CAUTION and WARNING. These terms alert you to precautions that can involve risk to your vehicle or to your personal safety. Read and follow them carefully.

*NOTE: Indicates a special point of information.*

<b>CAUTION</b>
Indicates that a failure to observe can cause damage to vehicle or equipment.

<b>WARNING</b>
This symbol is used to alert you to precautions that involve your personal safety as well as vehicle damage. Read and follow them carefully.

Listed are some safety precautions that must be adhered to. These precautions as well as others that involve damage to equipment are also listed in the appropriate areas in this manual.

### GENERAL WARNINGS

- Only seats equipped with seat belts are to be occupied while the vehicle is moving.
- Make sure all passengers have seat belts fastened in a low and snug position so the force exerted by the

belt in a collision will be spread across the strong hip area. Pregnant women should wear a lap-shoulder belt whenever possible, with the lap belt portion worn low and snug throughout the pregnancy.

- All movable or swiveling seats should be placed and locked in forward facing positions while the vehicle is moving.
- Never let passengers stand or kneel on seats while the vehicle is moving.
- Sleeping facilities are not to be used while vehicle is moving.
- Examine the escape window and be familiar with its operation, but do not use except in an emergency.
- Inspect the fire extinguisher monthly for proper charge and operating condition. This should also be done before beginning a vacation or any extended trip.

### DRIVING

- Do not attempt to adjust the driver's seat while the vehicle is moving.
- Do not adjust tilt steering in a moving vehicle.
- Do not operate the cruise control on icy or extremely wet roads, winding roads, in heavy traffic, or in any other traffic situation where a constant speed cannot be maintained.

- Use care when accelerating or decelerating on a slippery surface. Abrupt speed changes can cause skidding and loss of control.
- Driving through water deep enough to wet the brakes may affect stopping distance or cause the vehicle to pull to one side. Check brake operation in a safe area to be sure they have not been affected. Never operate any vehicle if a difference in braking efficiency is noticeable.
- Adverse weather conditions and extremes in terrain may affect handling and/or performance of your vehicle. Refer to your chassis manual for related information.

#### FUEL & LP GAS

- All pilot lights must be extinguished and appliances turned off while refilling the fuel tank or LP tank.
- Never smoke while refilling vehicle fuel tank or LP gas tank.
- Avoid inhaling exhaust gases produced by burned gasoline, diesel fuel or LP gas in items such as the range, chassis engine, generator engine, refrigerator, furnace and water heater. They contain carbon monoxide, which is an odorless, colorless and poisonous gas.
- Do not bring or store LP gas containers, gasoline or other flammable liquids inside the vehicle because a fire or explosion may result. LP gas containers are equipped with safety valves which relieve excessive pressure by discharging gas to the atmosphere.
- Do not alter the LP gas system at any time or in any way.
- Do not fill LP gas container(s) above 80 percent of capacity. Overfilling the LP gas container can result in uncontrolled gas flow which can cause fire or explosion. A properly filled container will contain approximately 80 percent of its volume as liquid LP gas.
- Never use an open flame to test for LP gas leaks. Replace all protective covers and caps on LP system after filling. Make sure valve is closed and door latched securely.
- Never connect natural gas to the LP gas system.
- When lighting range burners do not turn burner controls to "On" and allow gas to escape before lighting match.
- Portable fuel-burning equipment, including wood and charcoal grills and stoves, shall not be used inside the recreational vehicle. The use of this equipment inside the recreational vehicle may cause fires or asphyxiation.
- LP gas regulators must always be installed with the diaphragm vent facing downward. Regulators are equipped with a protective cover. Make sure that the regulator vent faces downward and that the cover is kept in place to minimize vent blockage which could result in excessive gas pressure causing fire or explosion.
- The following warning label has been located in the cooking area to

remind you to provide an adequate supply of fresh air for combustion.



Unlike large homes, the oxygen supply inside a recreational vehicle is limited due to its size. To avoid danger of asphyxiation, provide proper ventilation when using the gas rangetop or gas oven. It is especially important that the gas oven and range top not be used for comfort heating. Danger of asphyxiation is greater when these appliances are used for long periods of time.

### LP GAS LEAKS

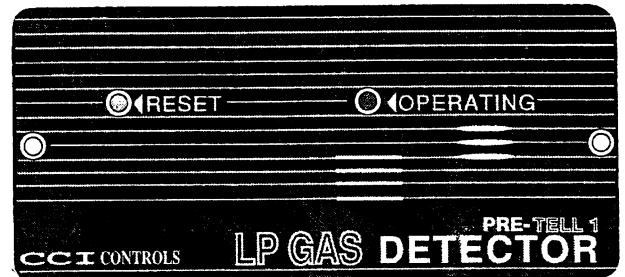
The following label is located in the vehicle near the range area. If you smell gas within the vehicle, quickly and carefully perform the procedures listed.

IF YOU SMELL GAS
<ol style="list-style-type: none"> <li>1. Extinguish any open flames, pilot lights and all smoking materials.</li> <li>2. Do not touch electrical switches.</li> <li>3. Shut off the gas supply at the tank valve(s) or gas supply connection.</li> <li>4. Open doors and other ventilating openings.</li> <li>5. Leave the area until odor clears.</li> <li>6. Have the gas system checked and leakage source corrected before using again.</li> </ol>

### LP GAS ALARM

Your coach is equipped with an LP gas detector which sounds an alarm if an unsafe amount of LP gas is present inside the coach. Because LP gas is heavier than air, the detector is located on a cabinet face near the floor of the coach.

A green light on the face of the alarm shows when the unit is active. The red button is used to reset the alarm.



### If The Alarm Sounds

If the alarm sounds, do not touch any electrical switches. Immediately turn off the main LP tank valve and all LP appliances, open all windows and roof vents, and leave the coach until the alarm stops sounding.

If the alarm keeps sounding at regular intervals, a leak may be present. Contact your dealer or an LP gas service center to have the problem corrected before using the LP system again.



### Gas Alarm Power Connection

NOTE: The gas alarm is powered by the coach batteries. If the auxiliary battery switch is shut off or the battery cable is disconnected from the

batteries or the fuse is blown, the alarm will not work. The LP gas alarm fuse is located on the automotive circuit breaker panel shown on page 9-10.

Because the LP gas alarm is connected directly to the auxiliary battery, it is always drawing a small amount of current. Even though this current draw is slight, it could drain the coach battery during storage periods of 30 days or longer. We recommend turning the auxiliary battery switch off or disconnecting the battery cables from the auxiliary battery during extended storage periods to avoid discharge.

#### Further Information

See the manufacturer's information entitled "Your LP Gas Detector" in the operations manual binder for further instructions on nuisance alarms and care and testing of the LP gas detector.

#### ELECTRICAL

- Careless handling of electrical components can be fatal. Never touch or use electrical components or appliances while feet are bare, while hands are wet, or while standing in water or on wet ground.
- Improper grounding of the vehicle can cause personal injury. Do not plug the utility power cord into an outlet which is not grounded and do not adapt the plug to connect to a receptacle for which it is not designed.
- Do not attach an extension cord to the utility power cord.
- Be sure that all electrical appliances to be used contain 3-prong plugs for proper grounding.

- Avoid overloading electrical circuits. Replace fuses or circuit breakers with those of the same size and amperage rating only. Never use a higher rated fuse or breaker.
- Use caution when handling or working near electrical storage batteries. Always remove jewelry and wear protective clothing and eye covering. Avoid creating sparks.

#### LOADING

- Store or secure all loose items inside the motor home before traveling.
- Be aware of GVWR, GAWR and individual load limit on each tire or set of duals. (See "Loading the Motor Home" in Section 4.)
- Never load the motor home in excess of the gross vehicle weight rating or the gross axle weight rating for either axle.

#### MAINTENANCE

- Do not remove the radiator cap while engine and radiator are still hot. Always check coolant level visually at the see-through coolant reservoir.
- Never get beneath a vehicle that is held up by a jack only.
- Do not mix different construction types of tires on the vehicle such as radial, bias or belted tires, as vehicle handling may be affected. Replace tires with exact size, type and load range.
- Do not attempt to start the vehicle by hot wiring.

**FORMALDEHYDE INFORMATION****WARNING**

Some components in this vehicle contain formaldehyde based adhesives which may release formaldehyde fumes into the air for an unknown period of time until total dissipation occurs. Individuals who are allergic to formaldehyde gas fumes may experience irritation to eyes, ears, nose and throat. Reaction in infants may be more severe. Although long range effects are not well understood, testing to date has not revealed any serious health effects in humans at the level of emission from these products.

*NOTE: To aid in dissipation, ventilate the vehicle by opening all windows and circulating the air with a fan.*

**CARBON MONOXIDE WARNING****WARNING**

Avoid inhaling exhaust gases, as they contain carbon monoxide, which is a colorless, odorless and poisonous gas.

If you suspect that exhaust fumes are entering the passenger compartment, have the cause determined and corrected as soon as possible. If you must drive under these conditions, drive only with ALL WINDOWS FULLY OPENED.

The best protection against carbon monoxide entry into the vehicle body is a properly maintained engine exhaust and ventilation system. It is recommended that the exhaust system and body be inspected by a qualified motor home service center.

- Each time the vehicle is raised for an oil change.
- Whenever a change in the sound of the exhaust system is noticed.
- Whenever the exhaust system, underbody or rear of the vehicle is damaged.

To allow proper operation of the vehicle's ventilation system, keep front ventilation inlet grill clear of snow, leaves or other obstructions at all times. **DO NOT OCCUPY A PARKED VEHICLE WITH ENGINE RUNNING FOR AN EXTENDED PERIOD.**

Do not run engine in confined areas, such as a garage, except to move vehicle in or out of area. When vehicle is stopped in an UNCONFINED area with the engine running for any more than a short period, adjust heating or cooling system to force outside air into the vehicle as follows:

1. Set fan to medium or high speed and vent control to "air".
2. On vehicles equipped with air conditioning, set fan to medium or high speed and set control to obtain maximum vent air.

Rear windows should be closed while driving to avoid drawing dangerous exhaust gases into the vehicle.

**CARBON MONOXIDE ALARM**

If your coach is equipped with a carbon monoxide (CO) alarm, it will be located on the ceiling in the bedroom area. The CO alarm is powered by a battery/sensor pack and is designed to detect toxic carbon monoxide gas fumes resulting from incomplete combustion of fuel. It will detect CO gas from any combustion source such as the furnace, gas range/oven, water

heater, refrigerator, chassis engine, and electric generator engine.

### Further Information

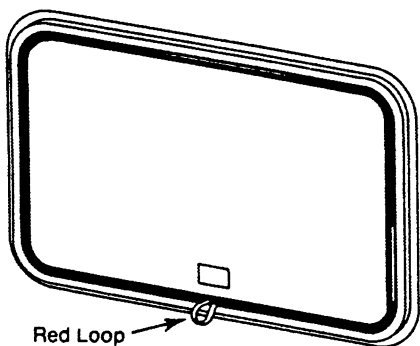
Please read the information provided by the manufacturer, which is included in your Motor Home Operations Manual binder. It includes information on precautions, operational testing, and battery/sensor replacement.

### EMERGENCY EXITS

Your motor home is equipped with an emergency exit window in the rear or side of the vehicle which functions as an escape exit in an emergency situation.

#### Rear Escape Window - Models 31RQ, 33RQ, & 34RQ (w/Chevy Chassis)

In rear escape windows, the glass is installed with a rubber extrusion it is opened by pulling on the red plastic loop located at the bottom of the window, until the rubber cord is completely removed. This allows the window to be pushed out.



Models 31RQ & 33RQ  
(& 34RQ w/Chevy Chassis)

Instructions for removal are also located on a label on the glass for quick reference and for passengers who may not be familiar with the exit. Never remove or destroy this label.

## WARNING

Use emergency window for emergency exit only. Do not test for proper operation.

If the cord is released by accident, but the glass remains in place, the cord can be replaced using a blunt instrument, preferably one made of plastic. We suggest you contact your dealer for assistance.

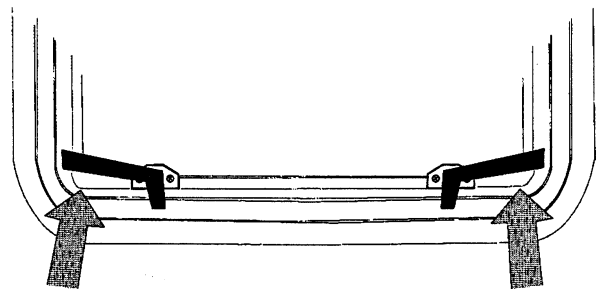
## WARNING

Use care when exiting emergency window, as broken glass may be present in the exit area.

#### Side Escape Window - Models 34RA, 35RQ, 34RQ & 37RW (w/Freightliner or Spartan chassis)

The side mounted escape window is secured by two red safety latches and can be opened by first releasing these two latches and then pushing outward on the lower part of the window. Identify which type of emergency exit window is in your vehicle.

Instructions for removal are also located near the latches for quick reference and for passengers who may not be familiar with the exit. Never remove or destroy this label.



Models 34RA, 35RQ & 37RW  
(& 34RQ w/Freightliner or Spartan Chassis)

## Using Slider Windows as Emergency Exits

Most single and double slider windows along the side of the motor home can also be used as emergency exits, should the need arise. To use the windows as exits, slide the window open, then strike the screen near one corner to loosen it and push out.

## SAFETY DEVICES

### Fire Extinguisher

A dry chemical fire extinguisher is located near the floor by the side entrance door.

We recommend that you become thoroughly familiar with the operating instructions displayed on the side of the fire extinguisher or in the information supplied in your Motor Home Operations Manual binder.

We also recommend that you inspect the fire extinguisher for proper charge at least once a month in accordance with National Fire Protection Association (NFPA) recommendations as stated on the label.

If the charge is insufficient, the fire extinguisher must be replaced.

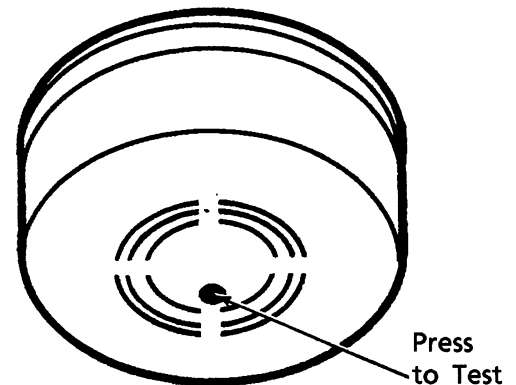
### WARNING

Do not test the fire extinguisher by discharging it. Partial discharge can cause leakage of pressure or contents which would render the unit inoperative when needed. When using the fire extinguisher, aim the spray at the base of the fire.

### Smoke Alarm

Your motor home is equipped with a smoke alarm located on the ceiling in the galley area. This alarm meets U.L. Standard 217 and NFPA Standard 74 for operation of smoke detection devices.

1. The smoke alarm should be tested for correct operation each time the vehicle is brought out of storage, before each trip, and at least once a week during motor home use. To test the electronics, firmly depress the button. To test that smoke reaches the sensor, blow smoke in a careful, fire-safe manner into your smoke alarm.



2. Your smoke alarm will not work without power. Never remove the battery to quiet the alarm. When your smoke alarm "beeps" about once a minute the battery is weak. Install a new battery immediately. Be sure to use only batteries specified in manual or on unit. Test unit after installing a new battery.
3. Clean and vacuum the openings on your smoke alarm once a month.
4. Do not open the smoke alarm or try to repair it. For replacement information see warranty in Owner's Manual.
5. Smoke alarms have technical limitations and may not respond in all situations. FIRE PREVENTION is your best safeguard.

See Your Motor Home Operation Manual binder for further information.





# SECTION 2

## DRIVING YOUR MOTOR HOME

---

(See also Safety Precautions, Section 1 of this manual.)

**NOTE:** See your Chevy, Ford, Freightliner or Spartan chassis operator's guide for information on starting the engine, operating the transmission, steering column controls descriptions of instrument gauges and other chassis related information.

*Some items described in this section may be optional or unavailable on your coach.*

### BEFORE ENTERING YOUR VEHICLE

Before entering your vehicle, there are a few recommended procedures that will aid in your driving safety and equipment.

1. Be sure that the windows, mirrors and light lenses are clean and unobstructed.
2. Make sure all exterior lights operate properly.
3. Check tires for proper cold inflation pressures.
4. Check wheel lug nuts for tightness.
5. Look beneath the vehicle for noticeable fluid leakage.
6. Check fluid levels and fill if necessary. This includes engine oil, transmission fluid, coolant, brake fluid, power steering fluid and windshield washer solvent.

### WARNING

The engine should be shut off unless specifically required for a certain procedure.

Chevy/Ford: The transmission must be in P (Park) and park brake applied while performing any checks or adjustments.

Freightliner/Spartan: The transmission must be in N (Neutral) and park brake applied while performing any checks or adjustments.

7. Unhook and store sewer and water supply hoses.
8. Retract step.
9. Be sure that all of your cargo is secured in event of a sudden stop or an accident.
10. Check around your vehicle in all directions to assure that you have proper clearance.
11. Lower TV antenna.
12. Disconnect and store shoreline.

### WARNING

Before driving your vehicle, be sure you have read the entire operator's manual and that you understand your vehicle's equipment completely and how to use the equipment safely.

### BEFORE DRIVING YOUR VEHICLE

Before preparing to drive your vehicle, here are a few recommended procedures that will add to your driving safety and enjoyment.

1. Be sure that you adjust the interior and exterior rear view mirrors to your driving preference.
2. Adjust the driver's seat for proper distance from foot pedals and steering wheel to allow for safety and ease in controlling your vehicle.
3. Place front seats in the forward facing position.
4. Be sure to fasten all safety belts to fit you comfortably, but tight enough to obtain the full safety of the belts.
5. Make sure all doors are completely shut and locked. When the doors are locked and shut, there is less chance of the doors flying open in event of an accident. It also prevents unintentional opening of doors and keeps intruders out of your vehicle.
6. Check to see that all gauges are operating properly.
7. Check the fuel level in the vehicle.
8. Be certain that the fire extinguisher is fully charged and secure in its mounting bracket.

**CAUTION**

Be sure hood and all compartment doors are latched securely before driving vehicle.

**FUEL SELECTION**

Refer to your chassis operating guide for the manufacturer's recommendations on proper fuel selection.

**WARNING**

Modern fuel systems may build up pressure within the tank as the gasoline warms during use or in hot weather.

Under certain conditions, sudden release of this pressure when removing the gasoline cap can spray gasoline from the fuel fill opening, causing a possible hazard.

**GASOLINE FUEL FILL**

**Removing the Fuel Cap**

When removing the gasoline cap, slowly rotate it **only far enough to allow pressure to release**. After any "hissing" sounds stop, continue removing the cap.

**Filling the Tank**

**Do not overfill the fuel tank.** Allow gasoline to pump into the tank until the auto-shutoff valve in the fuel pump nozzle stops the flow of fuel, indicating a full tank. This provides a pre-determined vapor space at the top of the tank to allow for expansion of the gasoline.

**CAUTION**

Continuing to fill above this level may cause damage to the fuel/evaporative emissions system.

**Fuel Tank Capacity:**

Chevy chassis	78 gal.
Ford chassis	75 gal.
Freightliner diesel chassis	90 gal.
Spartan diesel chassis	100 gal.

**Replacement Fuel Caps**

To protect gasoline system from excessive pressure or vacuum, or from

sudden pressure, replace lost caps with caps of the same design available from your dealer.

### STARTING AND STOPPING ENGINE

Refer to your chassis operating guide for the manufacturer's recommendations on starting and stopping the engine.

See also "Diesel Engine Heater" on page 6-10.

### Brake-Shift Interlock (Chevy and Ford Chassis)

Chevy and Ford chassis are now equipped with a brake-shift interlock safety feature. The shift lever cannot be moved from the Park position unless the ignition is ON and you press the service brake pedal.

**NOTE:** *NOTE: On Ford Chassis, if the brake light fuse is blown, the interlock feature will not work properly and an alternate method must be used. See your Ford Owners Guide for detailed instructions on what to do in this situation.*

### PARKING BRAKE

#### Chevy or Ford Chassis:

The parking brake pedal is located to the left of the foot service brake.

To set the parking brake, depress the service brake pedal firmly with your right foot while you apply the parking brake with your left foot. The BRAKE warning light will go on as soon as you start to press the parking brake pedal. The brake will not prevent the vehicle from moving unless you push it down firmly and fully. Remove your foot from the service brake pedal and make sure there is no vehicle movement.

To release the parking brake, apply the service brake with your right foot

and hold the parking brake pedal down with your left foot while you pull the release lever. The release lever is located above the brake pedal.

Never drive your vehicle with the parking brake set as this will reduce parking brake effectiveness and cause excessive wear.

### PARKING BRAKE (Models with Optional 16,500 lb. GVWR Chevy Chassis)

This chassis is equipped with an automatically applied parking brake that actuates when the shift lever is moved to the Park position.

### Parking Brake Spartan or Freightliner Diesel Chassis:

The parking brakes are applied by pulling outward on the large diamond-shaped, knob on the dash to the right of the steering column. Push the knob in to release the brakes.

Use the parking brakes whenever the vehicle is parked. Never try to drive the vehicle with the park brake applied. This can cause excessive wear on the brakes and may damage the transmission.

**NOTE:** *It is normal to hear an occasional burst of air pressure from the right rear of the vehicle. This is an automatic moisture purging feature of the air brake system. See the Brakes section of your chassis manual for instructions on periodic draining of brake air tank.*

### HAZARD WARNING LIGHTS

See chassis manual or "Instrument Panels" in this section for location of hazard flasher switch. See also Section 3 for further operating information.

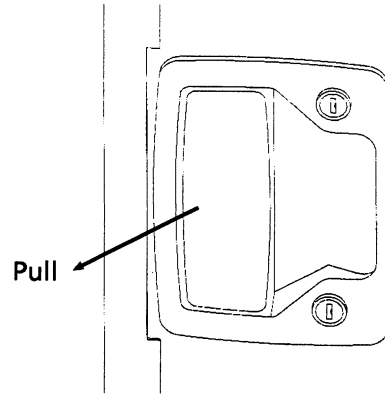
## FUEL PUMP SHUT-OFF SWITCH (Ford Chassis Only)

Vehicles built on Ford chassis are equipped with an inertial type switch that shuts off the fuel pump in the event of collision. This switch must be manually reset to resume the fuel supply to the engine.

See your Ford chassis operating guide for location and reset procedures for this switch.

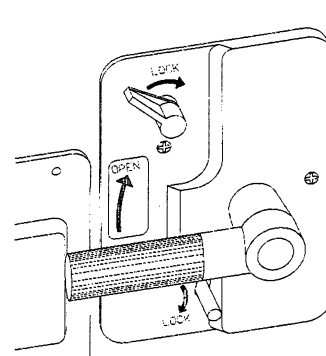
**NOTE:** *It is possible to accidentally trigger the fuel pump shut-off switch by abruptly striking an object such as a curb or parking block. If your vehicle exhibits symptoms of running out of fuel immediately after such an occurrence, the fuel pump shut-off switch may need to be reset.*

*Consult your chassis operating guide for additional information.*



Entrance Door Handle - Outside

To lock the door from inside, rotate the lock levers as indicated. The deadbolt lock is for added security and should be used as a security night lock.



Entrance Door Handle - Inside

## ENTRANCE DOOR LOCK AND HANDLE

The entrance door may be opened from outside the vehicle by pulling the door handle outward. To open the door from inside, pull outward on the door handle. When the door is locked, neither the inside nor the outside door handle can be operated. It can be locked and unlocked from the outside of the vehicle by inserting the key into the lock and turning.

Lubricate the locks periodically with graphite to maintain good working condition.

### CAUTION

When releasing security night lock, be sure to retract bolt before opening door latch to prevent drag on bolt pin. Instruct all passengers in operation of this door catch system as well as emergency exit window.

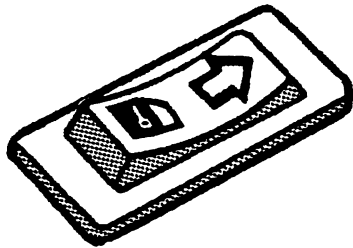
**KEYS**

Your motor home is supplied with several sets of keys. In addition to the chassis manufacturer's ignition key, you receive keys for front doors, entrance door, and exterior compartment doors.

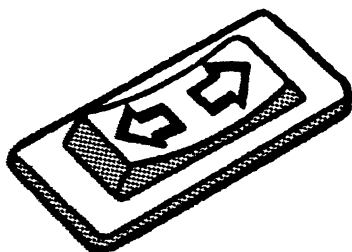
Each set of keys has an identification number, either on a small metal tag or stamped into the key head. Record these numbers and keep them in a safe place. In case keys are lost or stolen, your dealer or a locksmith can provide you with duplicate keys or modify the locks.

**POWER DOOR LOCKS - Optional**

The power door locks control both the driver door and side entrance door. The lock switches are located on the driver door and on the end of the cabinet to your left as you enter the side entrance door.

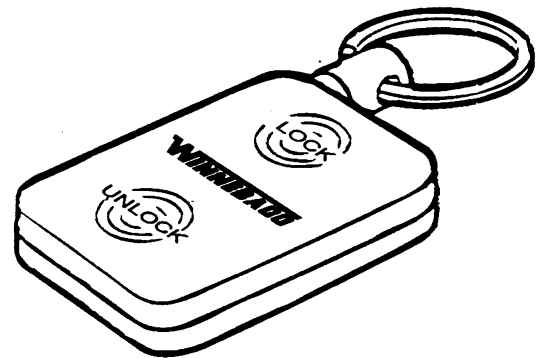
**POWER WINDOW - Driver Door Only**

The driver door is equipped with a power operated window. The switch is located on the driver door armrest area.

**KEYLESS ENTRY SYSTEM - OPTIONAL**

The keyless entry is a remote control power door lock system. This feature allows you to unlock or lock your doors from outside the coach without using a key.

**Lock:** When you leave the coach, simply press either one of the buttons on the remote transmitter attached to your key ring. The cab door and the side entrance door will lock at the same time. Your parking lights will flash once to tell you that the doors have been locked.



**Unlock:** When you return to the coach, press either one of the buttons on the transmitter and the doors will unlock. Your parking lights will flash twice to tell you that the doors are being unlocked. The porch light will also come on for 20 seconds to light your way to the coach.

**NOTE:** For maximum range when transmitting, point the brass key ring of the remote unit toward the coach.

**If You Lose a Remote:** Your dealer can order replacement remote keyring transmitter if you should lose one, or if you simply want a spare.

When you get a new remote, your dealer must program the master control unit in the coach to receive

the signal from the new remote unit.

### Replacing Batteries in Remote Units:

The battery should last for one year under normal use. When the transmitting range of the remote unit drops, the battery is probably becoming weak.

1. Remove remote unit from key ring and lay face down.
2. Remove screws from rear corners of case.
3. Open transmitter case. Do not lose key ring swivel. It is not fastened to case.
4. Remove old battery and insert new battery in same direction (+/-) as old battery.
5. Close case and replace case screws.

The compact 12 volt battery used in these units is available at most electronics shops and camera shops.

Recommended 12 volt battery no:  
Gold Peak GP27A  
Bronica B-1 or suitable equivalent

**NOTE:** *If a 12 volt battery is not available, you may "stack" eight (8) 1.5 volt watch (button) batteries as a substitute. Be sure the batteries all face the same direction. It may help to wrap tape around the stack to hold the batteries together for easier installation.*

Recommended watch batteries:

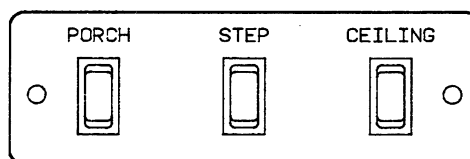
#392	G-3
RW-47	192
SR-41W	8009
547	

**NOTE:** *Keys should always be removed when leaving the vehicle. Since doors can be locked without keys, make sure they have been removed from the ignition before locking the driver's compartment.*

### ENTRANCE STEP - Powered

The electric entrance step will extend automatically when you open the entrance door, and retract when you close the door. You can also switch the step power off if you want to keep the step extended while parked at a campsite, when you exit and enter the coach frequently. This saves wear on the step mechanism and conserves coach battery power.

The step power switch is located on the entry switch panel to the left of the doorway as you enter the coach. If you turn the switch off while the step is extended, it will remain extended until you turn the switch back on. The step will extend when the door is opened, however, even if the switch is off.



Entry Switch Panel

If the step will not extend or retract, check the step power switch.

This step has a unique safety retraction feature that prevents damage to the step by driving off with the step extended.

Even if the step is extended with the step switch turned off and the entrance door closed, the step will automatically retract when the coach engine is started.

See the power step owner's manual in your Motor Home Operations Manual for operating instructions and additional information.

### WARNING

Do not use steps unless they are fully extended.

### CAUTION

Always remember to retract the entrance steps before traveling or moving the vehicle.

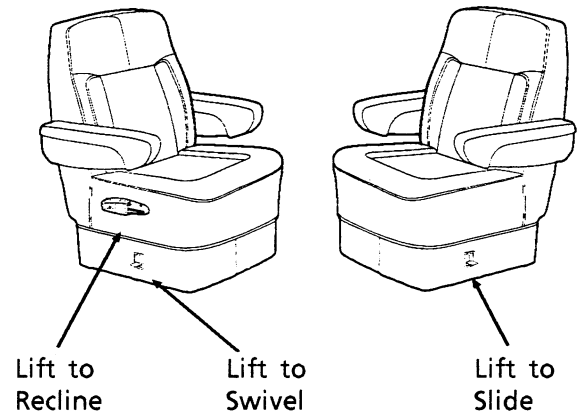
### SEATS

The driver and co-pilot seats may be independently adjusted to suit individual preference. **To move the seat forward or backward:** Lift the slide release paddle, located on the side of the seat, and exert slight body pressure in the direction desired.

The seats may be swiveled to provide easy entrance and exit. The swivel feature also allows the seats on some models to be turned toward the living area for additional seating while the unit is parked.

**To swivel the seats:** Lift the release paddle, located on the side of the seat, and rotate seat. The seats are designed to lock only when returned to the forward facing position.

**To recline the seats:** Lift the reclining lever, lean back to desired incline and release the lever. To return to the upright position, lift the lever and lean body forward. Allow the seat to return to the desired position and release the lever.



### WARNING

Do not adjust driver's seat while vehicle is in motion.

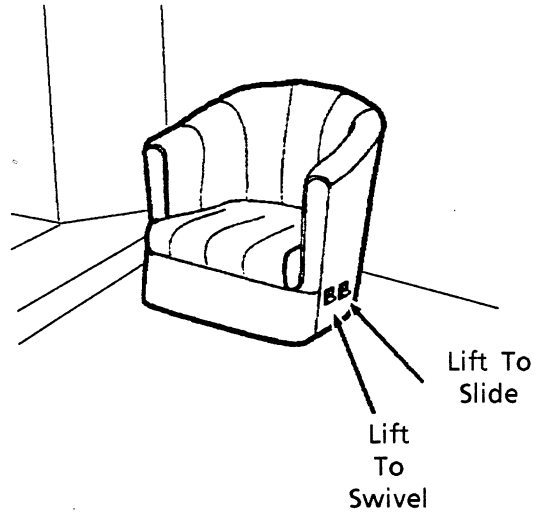
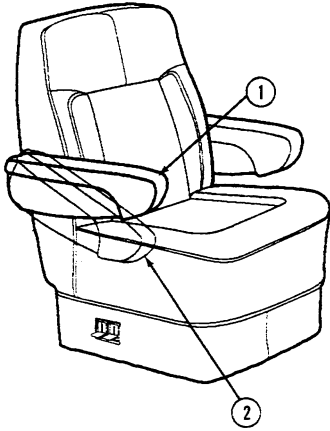
After adjusting seat, always use body pressure to make sure slide and swivel locking mechanisms have engaged.

### Arm Rest Adjustment

The driver and co-pilot seat armrests may be adjusted to rest at two different positions as shown.

**Position 1** - Raise armrest, push in toward seat, and lower into position. This position would generally be used when the seat is in the upright position.

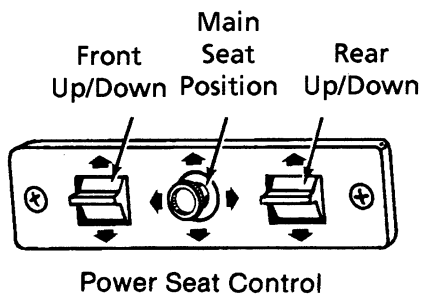
**Position 2** - Raise armrest, pull outward from seat, and lower into position. You may wish to use this position when you recline the seat.



**NOTE:** If your driver seat is equipped with power seat controls, the swivel release lever is located beneath the seat skirt on the right hand side of the seat. Move lever (forward/rearward) to swivel seat.

### 6-Way Power Driver's Seat - Optional

The power seat controls are located on the lower left hand side of the seat base.



### LOUNGE CHAIRS

The lounge chair has swivel and slider features to allow you to position the seat to your liking.

The swivel feature will lock in the center facing position for your safety while the vehicle is moving.

**To swivel the seat:** Pull up on the swivel lever located on the side of the seat. The seat will lock into place whenever it reaches the center aisle facing position.

Always return the seat to the aisle facing position for proper use of seat belts while traveling.

**To slide the seat:** Pull up on the slide lever located on the side of the seat. Slide to desired position and release lever.

### SEAT BELTS

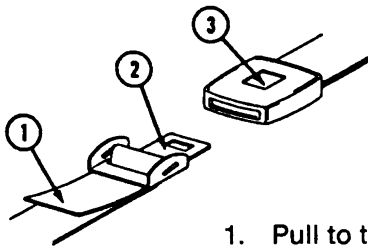
Seats intended for occupancy while the vehicle is in motion are equipped with seat belts for the protection of the driver and passengers.

### Lap Belts

The lap belts must be worn as low as possible and fit snugly across the hip area. Always sit erect and well back into the seat. To gain full protection of the safety belt, never let more than one person use the same safety belt at any one time, and do not let the safety belts become damaged by pinching them in the doors or in the seat mechanism. After any serious accident, any safety belts



which were in use at the time should be replaced.



1. Pull to tighten.
2. Tongue.
3. Push to release.

**Adjustment:** To lengthen belt, turn tongue at a right angle to belt and pull to desired length. To shorten, pull loose end of belt.

**To Fasten:** Be sure belt is not twisted. Grasp each part of the belt assembly and push tongue into buckle. Adjust to a snug fit by pulling the loose end away from the tongue.

**To Release:** Depress button in center of buckle and slide tongue out of buckle.

## WARNING

To reduce the risk of an injury in an accident, position the lap belt tightly and as low as possible across the pelvic area. Pregnant women should be especially certain to wear the lap belt as low as possible across the pelvic area so there is no pressure on the abdomen.

Only seats equipped with seat belts are to be occupied while vehicle is in motion.

## Lap-Shoulder Belts

**Fastening:** Hold the belt just behind the tongue using the hand nearest to the door. Next, bring the belt across the body and slide the tongue into the buckle until the latch engages.

**Unfastening:** Press the release button in the buckle. Hold onto the tongue when you release it from the buckle to keep it from retracting too rapidly.

When the lap-shoulder belt is in use, the lap portion must ride across the strong hip area and the shoulder portion must ride diagonally over the shoulder blade toward the buckle.

The shoulder belt is designed to lock only during a sudden stop, sudden body movement or a collision. At all other times it will move freely with the occupant.

## WARNING

Never wear the shoulder belt in any position other than as stated above. Failure to do so could increase the chance or extent of injury in a collision.

## Seat Belt Care and Cleaning

- Be careful not to damage the belt webbing and hardware. Take care not to pinch them in the seat or doors.
- Inspect the belts and hardware periodically. Check for cuts, frays, and loose parts. Damaged parts should be replaced. Do not remove or modify the belt system.
- Keep belts clean and dry. If the belts need cleaning, use only a mild soap and water solution. Do not use hot water. Do not use abrasive cleaners or bleach. These products may weaken or damage the belts.

- Replace any belt assembly that was used during a severe impact. Replace the complete assembly even if damage is not apparent.

## CHILD RESTRAINTS

All 50 of the United States and the District of Columbia now require the use of the child/infant restraint systems for children in vehicles.

A properly installed and secured child restraint system can help reduce the chance or severity of personal injury to a child in an accident or during a sudden maneuver. Children may be injured in an accident if they are not seated in a child restraint which is not properly secured.

A child restraint system is designed to be secured in a vehicle seat by a lap belt or the lap belt portion of a lap-shoulder belt. According to accident statistics, children are also safer when properly restrained in rear seating positions than in front seating positions.

When purchasing a child restraint system:

1. Look for the label certifying that it meets all applicable U.S. Federal Motor Vehicle Safety Standards (FMVSS) or, in Canada, requirements of the Children's Car Seats and Harnesses Regulations (CCSHR).
2. Make sure that it will attach to your vehicle and restrain your child securely and conveniently so that you are able to install it correctly each time it is used.
3. Be certain that it is appropriate for the child's height, weight and development. The instructions and/or the regulation label attached to the restraint typically provides this information.
4. Review the instructions for installation and use of the

restraint. Be sure that you understand them fully and can install the restraint properly and safely in your vehicle.

## MIRRORS

Always adjust mirrors for maximum rear visibility before driving. Make sure the seat is adjusted for proper vehicle control and that you are sitting back squarely into the seat.

Tilt the surface of the mirror gently up or down, left or right, to obtain the best rear view.

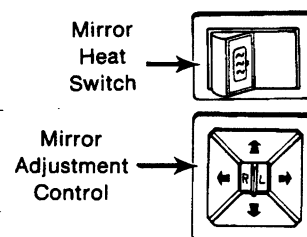
## POWER ELECTRIC MIRRORS - Optional

The electric mirrors are adjusted using a multi-directional switch located on the driver's door.

Select the mirror to be adjusted by pushing the switch in the middle of the control to the right or left. Then press the arrow buttons as necessary to obtain the best view.

When mirrors are adjusted to preference, place the selector switch back in the middle position to cancel power to the buttons. This prevents accidental misadjustment of mirror settings.

The mirrors also contain heating elements to defog or de-ice the mirror glass during cold weather operation. An ON-OFF switch for the mirror heaters is located near the remote mirror controls.



## SONY® REARVIEW TV MONITOR SYSTEM - Optional

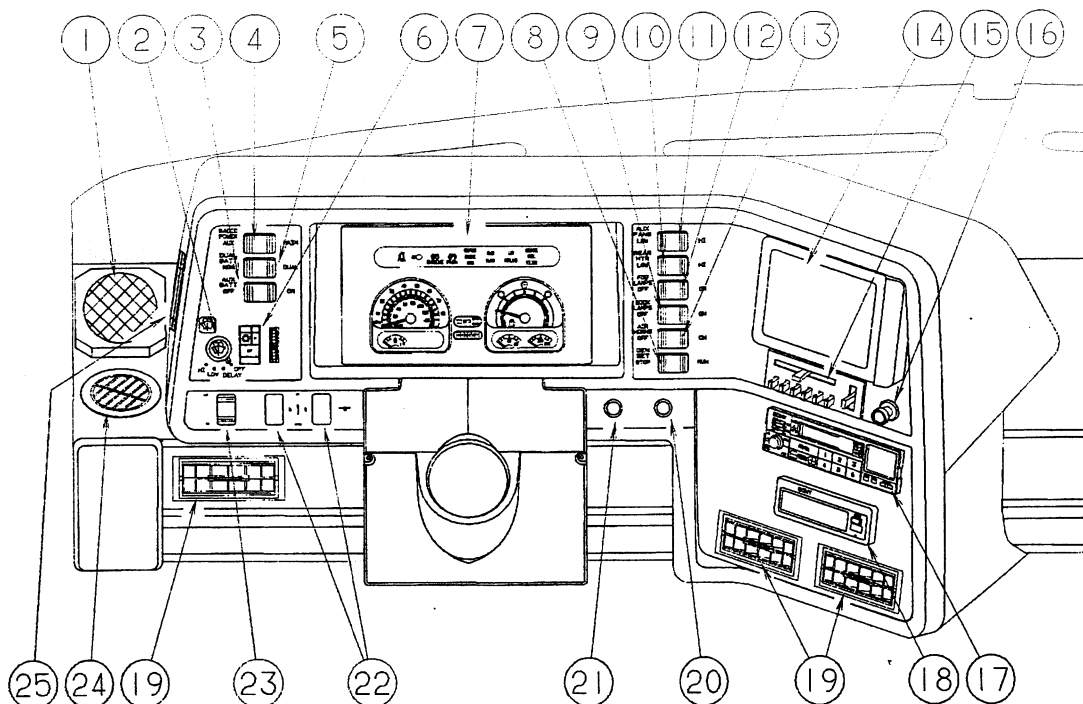
If your motor home is equipped with this optional system, refer to the

Motor Home Operation Manual binder for specific instructions provided by Sony.

## INSTRUMENT PANEL

NOTE: Your coach may not have all equipment or controls shown here. Some items are optional.

- |  |   |
|--|---|
| 1. Radio Speaker   | 14. Rear View (Backup) Monitor**                  |
| 2. Windshield Wiper/Washer Switch (Freightliner & Spartan) | 15. Heater/AC Controls                            |
| 3. Aux. Battery Switch                                     | 16. Cigarette Lighter/12V Socket                  |
| 4. Radio Power Switch                                      | 17. Radio/Cassette Player                         |
| 5. Aux. Start Switch                                       | 18. CD Player Display Panel                       |
| 6. Headlight/Park Switch*                                  | 19. Ventilation/AC Ducts                          |
| 7. Instrument Gauge Panel*                                 | 20. Jet Air Suspension (Low Air) Warning Light    |
| 8. Aux. Generator Dash Switch                              | 21. "Jacks Down" Warning Light                    |
| 9. Docking Light Switch                                    | 22. Park and Level Control†                       |
| 10. Rear Heater Switch                                     | 23. Park & Level Mode Switch/Slideout Room Switch |
| 11. Aux. Defrost Fan Switch                                | 24. Side Window Vent/Defrost Duct                 |
| 12. Fog Light Switch                                       | 25. Rear View Monitor Speaker                     |
| 13. Air Horn Power Switch                                  |   |



\*See your Chevy, Ford, Freightliner or Spartan chassis operating guide.

Chevy instruments shown for illustration purpose only.

\*\*If not equipped with monitor system, this space contains 6-tape cassette storage caddy.

†Not available on model 34RA with slide-out room.

## CRUISE CONTROL (Ford Chassis)

See your Ford chassis operating guide for complete operating information.

## MULTI-FUNCTION SIGNAL LEVER AND CRUISE CONTROL

(Chevrolet Chassis with Chevrolet Cruise Control System)

The multi-function signal lever controls the turn signals, high/low beam changing, windshield washer, wipers and wiper delay, and the electronic speed control (cruise).

See your Chevrolet chassis operating guide for complete operating information.

## WARNING

Do not operate the cruise control on icy or extremely wet roads, winding roads, in heavy traffic, or in any other traffic situation where a constant speed cannot be maintained.

**NOTE:** Before leaving on vacation or a long trip, make a short road test to see that all functions are working. If your speed control does not function properly, contact your dealer or refer to the cruise control manufacturer's information in your Motor Home Operations Manual binder.

## CRUISE CONTROL (Freightliner or Spartan Chassis)

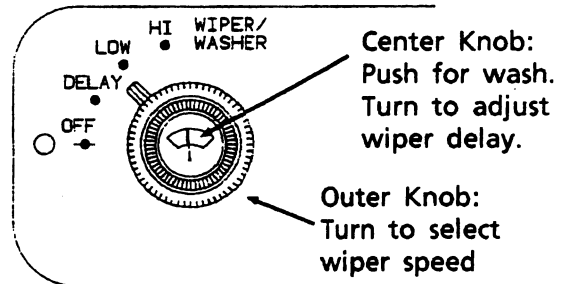
See your Freightliner or Spartan chassis operating guide for operating instructions.

## WINDSHIELD WASH/WIPE SWITCH (Ford Chassis)

See your Ford chassis operator's guide for information on washer and wiper controls.

## WINDSHIELD WASH/WIPE SWITCH (Freightliner or Spartan Chassis)

**Wash:** Press the control knob to pump washer solution onto the windshield. The wiper will also begin operating. The wiper will continue for 5 wipes after you release the washer knob.



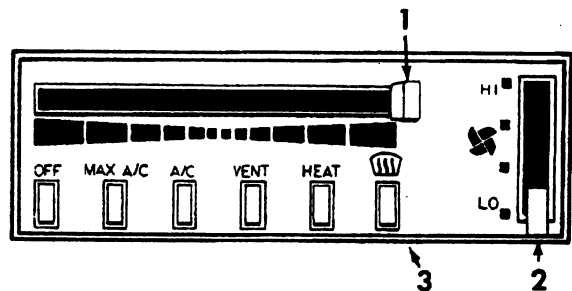
**Wiper:** Rotate the outer knob pointer to the desired setting - Delay, Low or Hi.

**Delay:** Turn the outer knob pointer to "DELAY". Turn the center (wash) knob to set the time you want between wipes, from 1 second (all the way left) to about 90 seconds (all the way right).

## COMFORT CONTROLS

### AUTO AIR CONDITIONER/HEATER

Controls for the air conditioner, heater, defroster and vent are all combined into one control panel. Refer to the following instructions for use of individual controls.



1. Temperature Control Lever
2. Front Heater Fan Switch
3. Mode Selection Buttons

### Heating

- A. For maximum heating:
  1. Press the HEAT or VENT button.
  2. Move the temperature control lever to WARM (red).
  3. Place the fan switch to HI.
- B. For reduced heating:
  1. Move the temperature control lever to the left to an intermediate setting.
  2. Adjust the fan speed for desired volume.

### Defrosting

- A. For maximum defrosting and defogging:
  1. Press the DEF button.
  2. Move the temperature control lever to WARM (red).
  3. Place the fan switch in HI.
  4. Turn on auxiliary (dash) fans if additional air movement is needed.
- B. For reduced defrosting:
  1. Move the temperature control lever to the left to an intermediate setting.
  2. Adjust the fan speed for desired volume.

### Ventilation

- A. To vent outside air into the vehicle when neither heating or cooling is required:
  1. Press the VENT button.
  2. Move the temperature control lever all the way left to the COOL (blue).
  3. Adjust the fan speed for desired volume.

### Air Conditioning

- A. For maximum cooling:
  1. Press the MAX A/C button.
  2. Move the temperature control lever all the way left to the COOL (Blue) position.
  3. Place the fan speed switch in HI.
- B. For reduced cooling:
  1. Set the fan speed to a lower setting and/or move the temperature control lever toward a warmer setting.
- C. The A/C button offers cooled outside air at a slightly reduced capacity.

### Off

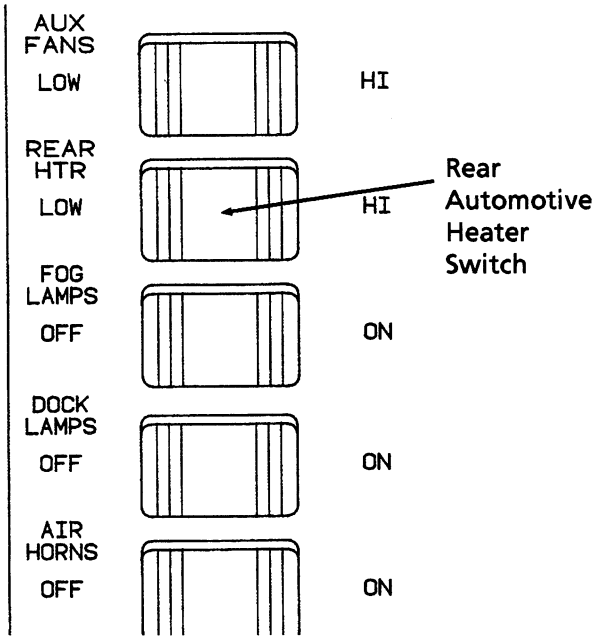
When no heating, cooling or defrosting are required:

1. Press the OFF button. This will shut off the fan and prevent outside air from entering the unit.

*NOTE: The automotive air conditioner is not designed to cool the entire interior of the motor home, but is intended to cool the driver's compartment only.*

### REAR AUTO HEATER

To provide auxiliary heat to the rear of the vehicle, turn the rear heater fan switch to the desired speed.



**COMPACT DISC CHANGER - Optional**

The remote CD changer is located out of sight in the overhead cabinet above the driver's seat. The changer cartridge holds up to 10 compact discs for over 7 hours of listening enjoyment.

The controls are incorporated into the dash radio. See the Sony Compact Disc Changer System operating guide in your motor home operations manual binder for complete operating instructions and basic troubleshooting.

**AUX. START SWITCH**

This can be used to provide emergency starting power from the motor home auxiliary battery if the automotive battery is discharged.

**RADIO/CASSETTE PLAYER**

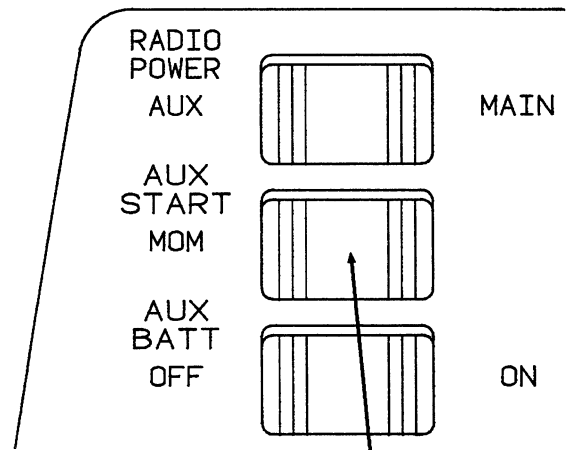
Your coach has a Sony® AM/FM radio/cassette player that provides high quality stereo sound for your traveling and living enjoyment. Refer to you Motor Home Operation Manual for operating and care instructions.

**Sony Radio Security Reminder:**

If your coach is equipped with a Sony model XR-3320 or CDX-5070 radio, you may hear a short series of faint electronic beeps or "chirps" through the radio speakers whenever you turn the ignition switch to the Off position from any On/Run position. The beeps are a security reminder feature that is intended to remind you to remove the take-out radio face from the dash for anti-theft security if desired.

**RADIO SWITCH**

The radio switch allows you to connect the auto radio to the coach batteries for operation while parked, with the ignition switch off. This prevents accidental draining of the automotive (starting) battery by the radio.



If engine battery is dead, press while turning ignition key for emergency starting power.

**AUXILIARY BATTERY (AUX BATT) SWITCH**

The AUX BATT switch disconnects the auxiliary (coach) batteries from the 12-volt system of your coach to avoid long-term battery drain by electrical items that are hooked directly to the coach batteries.

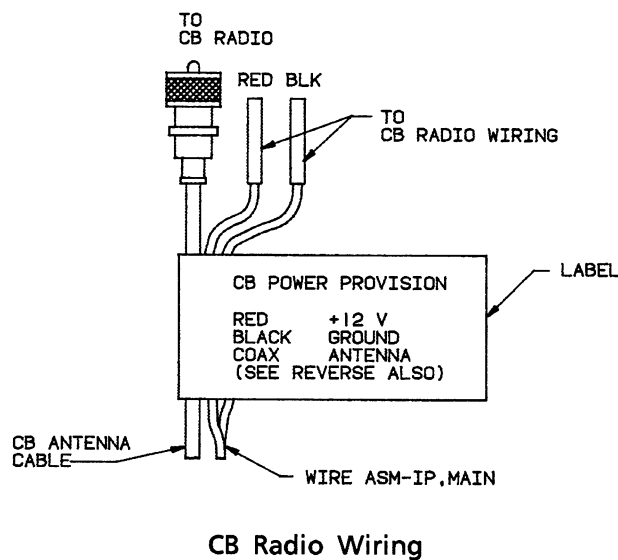
Always leave this switch ON except during long storage periods (a month or more).

## CB RADIO WIRING - Optional

If your coach is pre-wired for CB radio installation, the wires are located beneath the dash to the left of the steering wheel.

Look for a pair of wires, red and black, with connectors and flag labels, suspended from the wiring harness.

Be sure to read the wire labels before installing a CB radio. The labels contain important information and cautions.



## SWR ADJUSTMENT

To adjust CB antenna SWR (standing wave ratio), remove the cap on the end of the antenna. Turn the adjusting screw inside end of antenna to achieve lowest SWR reading. This procedure will help optimize transmitting and receiving capabilities of the CB radio system.

### CAUTION

The CB radio could become damaged if CB antenna SWR is not adjusted before operating CB radio.

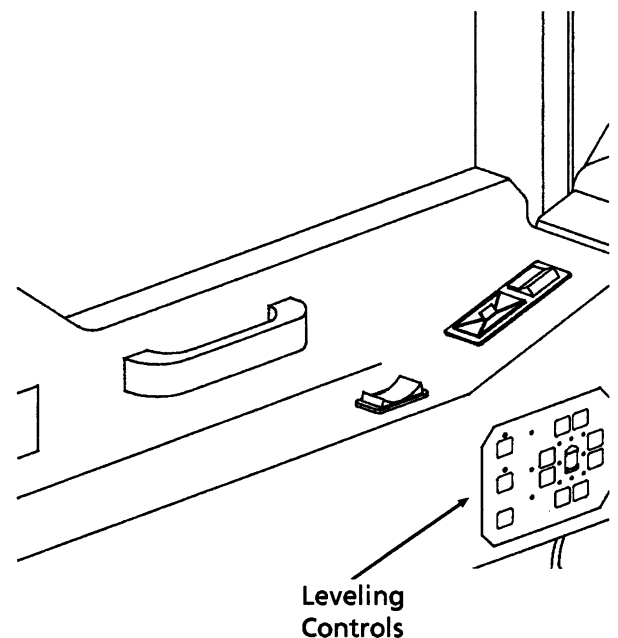
## COACH LEVELING SYSTEMS

Coach leveling systems are designed to diminish site selection problems, making "set up" at a camping site faster and more convenient for you.

**NOTE:** When parking at an uneven site, always park the front of the motor home to the downhill side. This allows you to level by raising the front end rather than the rear. Since only the rear wheels are locked while in PARK, raising the rear wheels off the ground could allow the vehicle to roll off the jacks.

## HWH® COMPUTERIZED 4-POINT LEVELING SYSTEM -Optional (Without Jet Air Park & Level)

The leveling system control panel is located on the driver's door panel.



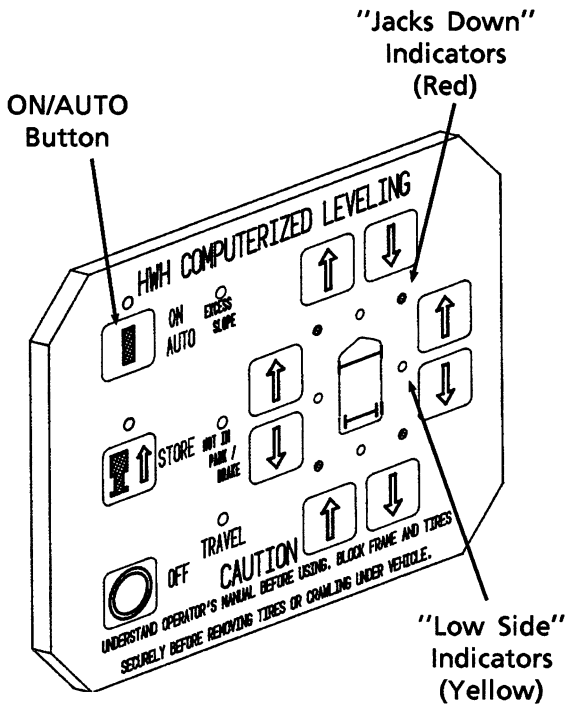
### To Extend Jacks:

1. Shift the transmission into Park and set the Park Brake. Turn the ignition key to the ACC position.

**NOTE:** The 'NOT IN PARK/BRAKE' light will glow if the park brake has not been set.

come on. One or more of the yellow "low side" lights will be on.

2. Press the 'ON/AUTO' switch once to turn the system on. The indicator light above the switch should glow.



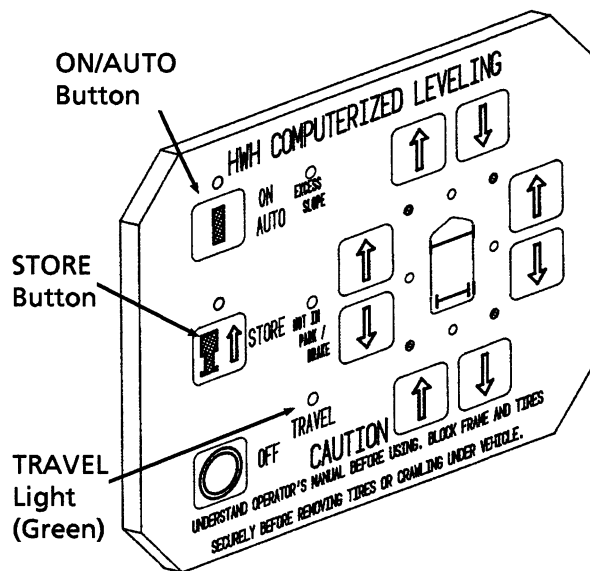
3. Press the 'ON/AUTO' switch a second time to swing the hydraulic jacks down. Jacks will swing down automatically one at a time. A corresponding red indicator will glow as each jack is in the vertical position.
4. Press the 'ON/AUTO' switch a third time to automatically extend jacks to level the coach. The 'ON/AUTO' light will flash during this step.
5. About ten (10) seconds after the coach is completely leveled, the system will automatically shut off.

**NOTE:** If the ground is too uneven for the system to level the coach, the 'EXCESS SLOPE' light will

6. Turn ignition switch OFF.

### To Retract Jacks:

1. Be sure there are no objects under the coach. Be sure all people are clear of the coach.
2. Turn the ignition switch to ACC and press the 'ON/AUTO' switch once. The indicator light should glow.



3. Press the 'STORE' button. The store indicator light will flash. As each jack retracts, its red warning light will go out. About one minute after the four red warning lights are off, the 'TRAVEL' light will come on and the vehicle may be moved.
4. The system will automatically shut down after six minutes if the vehicle is not moved.
5. If jacks will not retract as described above, see "Valve Release Operation" in the manufacturer's operation guide.



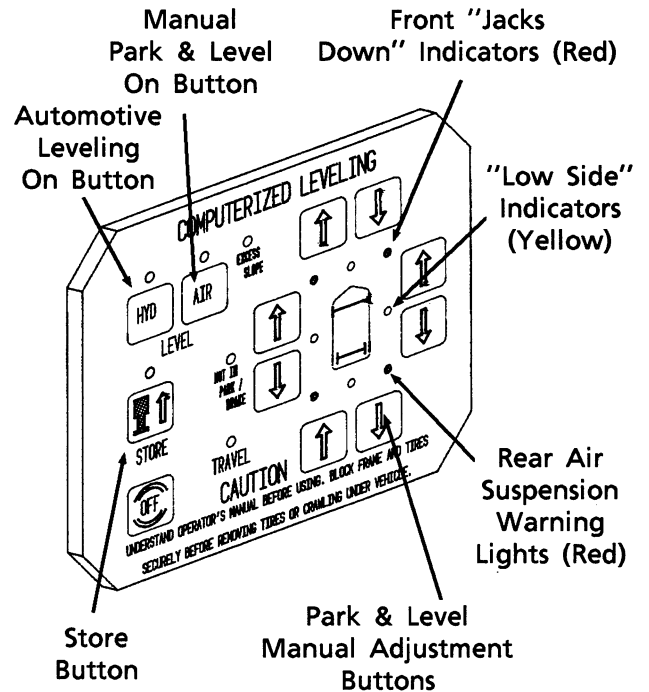
## CAUTION

Do not try to drive vehicle unless 'TRAVEL' light is glowing with ignition switch on.

## WARNING

Keep all people clear of the coach while the leveling system is operating.

Do not use leveling jacks to support vehicle for service or tire changing.



### Further Information

See the HWH Operator Manual supplied in your motor home operations manual binder for detailed instructions, precautions and technical information. It also contains instructions for manual operation if automatic functions fail.

### HWH COMPUTERIZED 2-POINT LEVELING SYSTEM - Optional - with Jet Air Park & Level System

This feature combines the Jet Air Ride Park & Level system with a 2-point front hydraulic jack system to provide automatic leveling.

#### Automatic Hydraulic/Air Leveling:

1. Shift the transmission into Park and set the Park Brake. Turn the ignition key to the ACC position.

NOTE: The 'NOT IN PARK/BRAKE' light will glow if the park brake has not been set.

2. Press the Hydraulic Start (HYD) button to turn the system on. The indicator light above the switch will glow.

3. Press the HYD button again to swing the hydraulic jacks down. Front jacks will swing down automatically one at a time. A corresponding, red "Jack Down" light will glow as each jack is in the vertical position. The red "Rear Air Suspension Warning" Lights will also come on.
4. Press the HYD button a third time to automatically extend jacks to level the coach. The HYD light will flash during this step.
5. About ten (10) seconds after the coach is leveled, the system will shut off automatically. (The dash mounted "Jack Down" warning light will remain lit as long as the ignition switch is in the ON or ACC position and the jacks are in a vertical position.)
6. Turn the ignition switch OFF.

#### To Retract Jacks and Prepare Air Suspension for Travel:

1. Be sure there are no objects under the coach and all people are clear of the coach.

2. Turn ignition switch to ACC and press the HYD button. The indicator light will glow.
3. Press the STORE button. The indicator light will flash as jacks are retracted. When the two front jacks have retracted up into the horizontal position, the Jack Down lights on the touch panel will go out.
4. When both front lights are off, the Rear Suspension lights will turn off. The automatic rear suspension system is now activated again and will adjust for road travel.
5. The coach may now be moved, however the system will continue to retract for about 6 minutes, then shut off automatically.
6. If jacks do not retract and system does not shut off as described, see Manual Operation instructions in the manufacturer's operating guide included in the blue binder.

### WARNING

Keep all people clear of the coach while the leveling system is operating.

Do not use the leveling jacks to support vehicle for service or tire changing.

### CAUTION

Do not drive the vehicle with the Park & Level system in Manual mode (red lights on). Damage to suspension components could result.

#### Further Information

See the HWH Operator Manual supplied in your motor home operations manual blue binder. It contains detailed instructions,

precautions and technical information. It also contains instructions for manually operating system if automatic functions fail.

#### JET AIR RIDE™ REAR SUSPENSION SYSTEM - Optional

##### Operating Instructions Normal Driving Mode

The mode switch should be placed in the "Auto" position before driving off. A red warning light will alert you when the system is in the Park & Level™ (Manual) mode.

### CAUTION

Do not drive the vehicle with the Auto/Manual Mode Switch in the Manual position. Damage to suspension components could result.

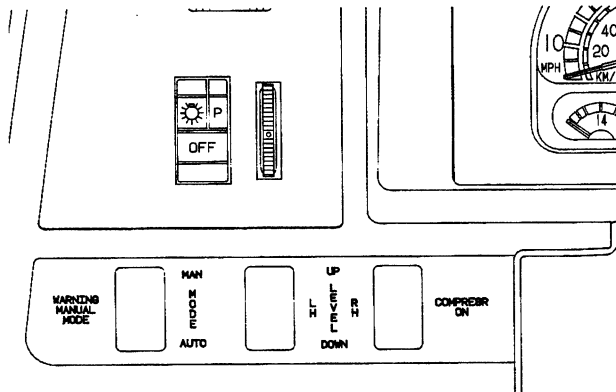
*NOTE: Automatic leveling is deactivated when the ignition is switched off, so the coach may appear "jacked up" in the rear under certain circumstances. This is not a malfunction and should be no cause for alarm. When the vehicle is restarted, the automatic leveling system will immediately correct this situation.*

#### Park & Level™ System

The Park & Level system incorporates electronic air distribution controls for vehicle leveling purposes. It allows air spring pressure to be manually adjusted up-and-down or side-to-side to simulate the function of a hydraulic leveling system. This provides the vehicle owner with a reasonable degree of flexibility in parking/camping site selection.

### Park & Level™ Controls

The Park & Level control panel is located at the lower left-hand side of the dash. It contains 3 rocker switches, a compressor indicator light; and a manual mode warning light.



Jet Air Ride® Park & Level Controls

### Leveling

Press the mode switch to "Manual". A red warning light will illuminate to indicate that the leveling feature is activated. Level the vehicle by operating the level switches.

- When raising the rear of the vehicle, operate both springs at the same time to provide maximum lifting power.
- When parked on a side hill, raise both springs as mentioned above, then lower the spring on the "uphill" side until the vehicle is level.
- When you're ready to drive off, switch the mode to "Automatic". and wait until the springs automatically adjust for road travel.

**NOTE:** *The air bags will inflate and deflate slightly about 5 to 8 times until the coach is leveled.*

### Compressor Light

The green indicator light labeled "Compressor On" will illuminate only while the compressor is operating. When air pressure depletes to a preset minimum amount, the compressor will operate until maximum pressure is restored.

It is normal for the compressor to operate periodically while driving to maintain air pressure in the system. It will also operate for a few minutes after starting the vehicle and switching the Auto/Manual switch back to "Auto" (when Park & Level™ has been in use) to restore air pressure released during leveling.

### Air Suspension Warning Light

#### CAUTION

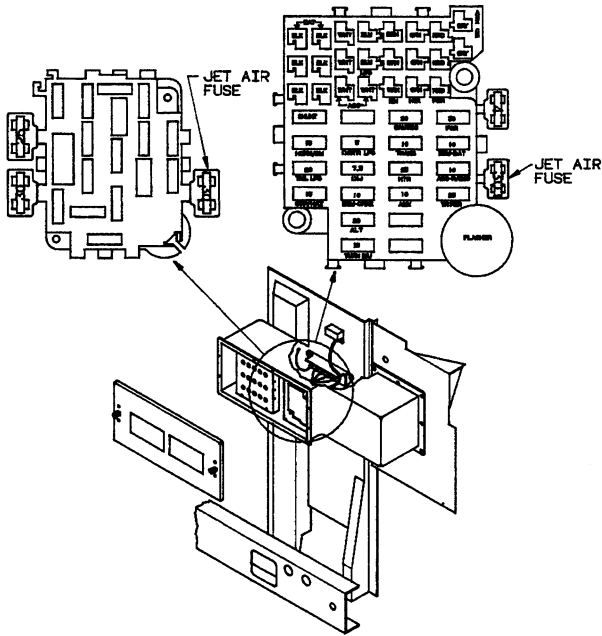
The air suspension warning light, located on the lower instrument panel to the right of the steering column, will illuminate if a failure should occur in the tag axle/rear suspension system. If this should occur while driving, the vehicle may be carefully driven to the nearest Winnebago or Itasca dealer or a qualified truck air suspension service center. Although this condition does not totally disable the vehicle, it will cause less than satisfactory ride characteristics and should be serviced as soon as possible to restore proper performance.

### Periodic Maintenance

See page 9-8.

### System Fuse

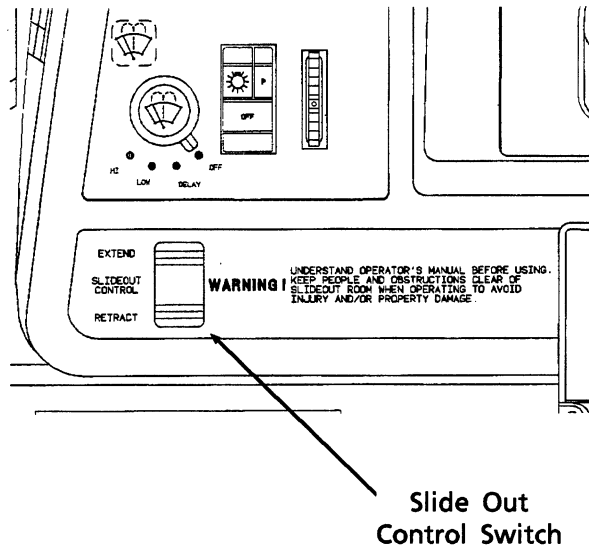
If the Jet Air Ride system fails to operate, check the 30A plug-in fuse located on automotive circuit breaker/fuse panel in the engine compartment.



Always replace fuse with one of equal size and amperage rating.

## SLIDE-OUT LIVING ROOM (Model 34RQ only)

The slide-out living room provides a spacious living area at the push of a button. The slide-out room is extended and retracted using a hydraulic mechanism with an electronic control system. The slide-out control switch is located near the leveling system pad on the lower left dash area.



## WARNING

Keep all persons clear of the slide-out room and moving parts while extending or retracting. Do not occupy the slide-out room while it is being extended or retracted.

### To Extend Slide-Out Room:

- Level the coach.
- Leave leveling system on to provide power to the slide-out control switch.
- Do not let anyone sit on dinette seats or couch while extending room.
- Press slide-out switch and hold until room is fully extended, then release switch.

### To Retract Slide-Out Room:

## CAUTION

Although there is an awning over the roof of the slide-out room, there is a possibility of debris getting onto the roof. Because the slide-out roof is drawn into the interior of the coach when retracted, be sure there is no debris, such as excessive dirt, tree seeds, twigs, leaves, etc. on the roof before retracting.

- Remove all items from the coach living room floor and do not let anyone sit on dinette seats or couch while retracting.
- Turn leveling system on to provide power to the slide-out control switch.

- Press slide-out switch and hold until room is fully retracted, then release the switch.

### If Slide-Out Room Will Not Operate (Troubleshooting):

- The chassis battery may be low on charge. Press the Aux. Start switch on the dash to the momentary (MOM) position while pressing the slide-out control switch. This momentarily connects the coach batteries to assist in retracting the room.
- One of the fuses may be blown. Fuses are located on the interior firewall beneath the dash, beneath the instrument panel dash pod, and inside the leveling control pad housing.
- If the batteries and fuses are okay, there may be a failure in the hydraulic system or electrical system. See "Manual Retracting Instructions" for help.

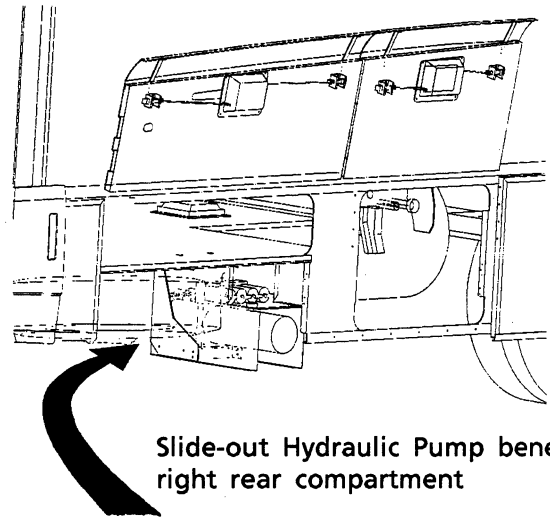
### Manual Retracting Instructions (Use only when room will not retract using Control Switch)

If a failure occurs in the slide-out electrical or hydraulic systems, and the room will not retract using the switch, you can manually retract the room using an emergency winch system described below. The winch is stored beneath the forward dinette seat.

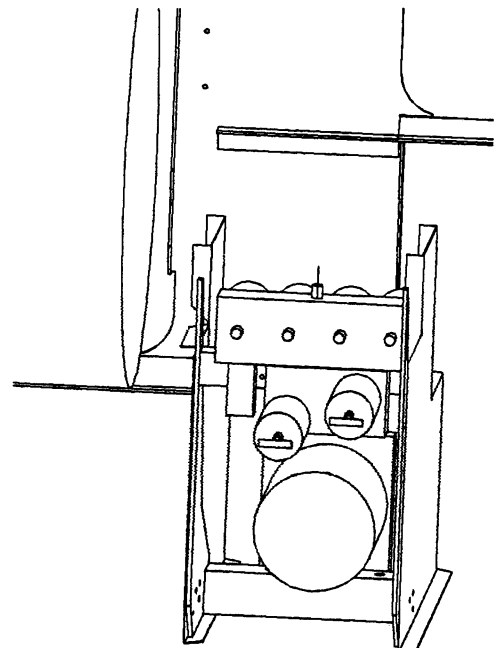
- Open the hydraulic pump valves to release hydraulic pressure. The pump is located beneath the right rear compartment, just behind the LP gas tank and ahead of the spare tire. The valves can be reached best by lying on your back and reaching up between the mounting brackets.

## WARNING

Stop engine, place transmission in parking position and apply parking brake before lying beneath vehicle for this procedure.



Slide-out Hydraulic Pump beneath right rear compartment



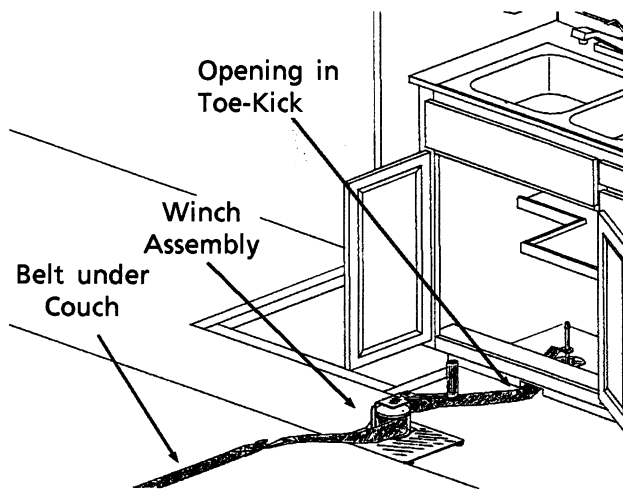
Hydraulic Pressure Release Valves viewed from center of vehicle

- Open the two "T" handle valves on the inside end of the pump only. Turn "T" handles clockwise to open. DO NOT OPEN any of the four

valves on the outside end of the pump because they regulate the leveling jacks.

**NOTE:** The "T" handles may turn easily at first but will become more difficult to turn as an internal spring is compressed. Be sure to open both valves completely (about 6 turns of each "T" handle.)

- Remove the winch from its storage area and place on the vinyl floor in front of the galley sink area.
- Attach the hook end of the winch belt through the looped end of seat belt material located beneath the rearward (left) end of the couch.



Slide-out Room Manual Winch System

- Pass the other end of the winch belt through the cutout in the galley cabinet toe-kick board and fasten to the bolt with the large wing nut on the floor beneath the galley sink cabinet.
- Crank the winch handle clockwise until the room is fully retracted. Be sure the winch ratchet lever is moved to the locked, angled position.

**NOTE:** Cranking the room in quickly will raise pressure in the hydraulic fluid, making cranking more difficult.

- Unhook the winch belts and store the winch back under the dinette seat. Release the belt by putting slight pressure clockwise on the crank handle, then moving the ratchet lever to the unlocked, straight outward position.
- Lock the slide-out room Travel Latches.
- Close the hydraulic valve "T" handles completely.

**NOTE:** When you have closed the valves snugly, do not tighten any further. Over-tightening may cause internal damage to the valves.

- See your dealer for service of the slide-out system before using again.

### Further Information

See the HWH Hydraulic Room Extension operating guide included in your operation manual binder for further instructions and troubleshooting information.

# SECTION 3

## IN CASE OF DRIVING EMERGENCY

### HAZARD WARNING FLASHER

The hazard warning flasher provides additional safety when the vehicle must be stopped on the side of the roadway, presenting a possible hazard to other motorists. When the flasher is on, it warns other drivers to approach and overtake your vehicle with caution.

### WARNING

Operating the hazard warning flasher system while moving on the highway is illegal.

The front and rear turn signals will flash intermittently when the flashers are in use. When it is necessary to leave the vehicle, the flasher system will continue to operate with the ignition key removed.

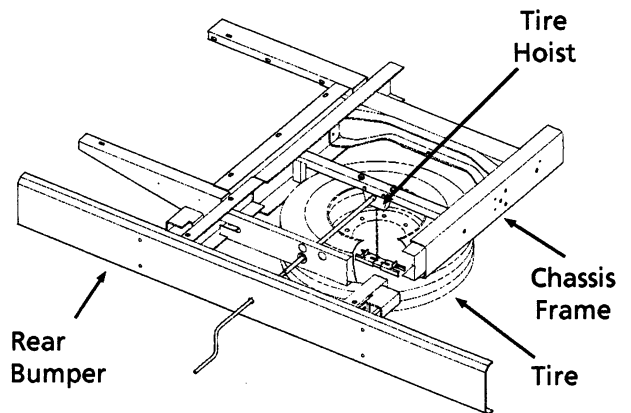
See your chassis operator's guide for information on operating the hazard warning flashers.

### IF YOU GET A FLAT TIRE

In case of sudden tire failure, avoid heavy brake application. Gradually decrease speed. Hold steering wheel firmly and move slowly to a safe, off-road place. Park on a level spot, turn off the ignition, and turn on the hazard flasher system.

### SPARE TIRE STORAGE

The spare tire is mounted on a cable hoist assembly beneath the rear of the vehicle.



Top View of Rear Coach Chassis  
(as if looking through backwall and floor)

### To Access Spare:

1. Insert the crank handle through the hole in the rear bumper or in the right or left rear cargo compartment. Be sure the pins on the crank handle engage with the slots in the hoist shaft.
2. Turn the crank handle counterclockwise to lower the tire to the ground.
3. Remove the spare from the carriage plate by passing the plate through the large center hole of the wheel.

### To Stow Spare:

1. Insert the carriage plate through the wheel and align so the retainers will engage into the center hole of the wheel.
2. Insert the crank handle into the rear bumper and crank clockwise to raise the tire up. Check to see that the carriage plate is firmly engaged in the center hole of the wheel as the cable becomes taut.
3. When the tire makes snug contact with the frame, crank the handle until a "crisp break" is heard and felt. Crank until a second "crisp

break" occurs. This assures the hoist mechanism has reached its maximum stowing force. Remove and stow the crank handle.

### MOTOR HOME TIRE CHANGING PROCEDURE

#### WARNING

We advise you to obtain qualified road service whenever possible. Do not try to change a tire yourself except under emergency conditions, and only by closely following instructions in this manual and the chassis operating guide.

If you must perform an emergency tire change, we recommend that you have the wheel nuts checked and properly torque tightened by qualified service personnel as soon as possible.

After a wheel has been properly torqued and inspected by qualified service personnel, it should be rechecked after traveling 100 miles, then again at each oil change.

**NOTE:** *The jack referred to in the following instructions is not supplied with the vehicle. You can obtain one from your dealer.*

A jack is designed for use as a tool for changing tires only, not for use as a leveling device or as a support when servicing.

#### WARNING

Tire change procedures should be used in emergency situations only. The operator is advised to obtain qualified road service when possible.

#### Safety Precautions

Before trying to change either the front or rear tires, follow these precautions:

1. Park vehicle on level surface only.
2. Turn off engine and set parking brake.
3. Turn on hazard warning flasher.
4. Block both front and back of tire on opposite side of wheel to be removed.
5. On soft ground, use a board or other material under jack as a firm base to ensure that the jack will not shift.

#### Jacking Points

**Chevy:** Front-under lower control arm; Rear-under axle.

**Ford, Freightliner or Spartan:** See your chassis manual for specified jacking points.

#### Front Wheel

Before trying to remove the front wheel, observe the above safety precautions, then follow the procedure below:

1. Place jack under jacking point specified by chassis manufacturer. See *Jacking Points* above. Position jack so it may be operated without placing your body beneath vehicle.
2. Screw jack extension pad out (up) until it touches jacking point surface.
3. Begin jacking until jack is firmly positioned and just begins to bear weight, but **do not** lift tire off the ground.
4. "Crack" wheel nuts loose with lug wrench, but do not unscrew nuts yet.



5. Resume jacking until wheel is free of ground.
6. Remove wheel nuts and wheel; put spare wheel in place.
7. Install wheel nuts and tighten as much as possible with wheel and tire off the ground.
8. Lower tire until tire just contacts the ground. Tighten nuts with lug wrench in sequence recommended by chassis manufacturer.
9. Finish lowering jack, then remove jack and blocks.

### WARNING

Upon satisfactory completion of emergency tire change, it is highly recommended that wheel nuts be properly torqued and inspected by qualified service personnel as soon as possible.

#### Dual Rear Wheels

Before trying to remove the rear wheel, follow safety precautions in the beginning of the motor home jacking procedures. Then follow the procedure below:

1. Place jack under jacking point specified by chassis manufacturer. See *Jacking Points* on previous page. Position jack so it may be operated without placing your body beneath vehicle.
2. Screw jack extension pad out (up) until it touches jacking point surface.
3. Begin jacking until jack is firmly positioned and just begins to bear weight, but do not lift tire off the ground.
4. "Crack" wheel nuts loose with luge wrench, but do not unscrew nuts yet.
5. Resume jacking until wheel and tire are free of ground.

### WARNING

DO NOT crawl under the vehicle when it is supported by a jack only.

6. Remove wheel nuts and wheel.

*NOTE: When installing the outer dual wheel and tire assembly, rotate the outer dual wheel so valve stems are accessible but not touching one another. In some cases this means that the inner and outer valve stems should be in separate wheel cutout locations.*

*When installing or tightening dual wheels, nuts, both wheels on the same side must be off the ground (not resting on the inner dual). This lessens the chance of loose wheel nuts after correct mounting torque is applied.*

7. Mount spare wheel on studs and replace wheel nuts. Refer to your chassis operating guide for wheel nut torque and tightening sequence.

#### Wheel Nuts

To properly seat the wheel nuts and to eliminate the possibility of the wheel nuts becoming loosened while driving, they should be tightened at frequent intervals to the torque specified in your chassis operating guide. This is especially important after the first 100, 1,000 and 6,000 miles of operation after replacement of a wheel or wheel nuts.

#### RECOVERY TOWING

When calling a professional towing service, we recommend that you advise them of your coach length and

approximate front axle weight. This will allow the towing operator to determine the proper towing equipment to use. (This information is found on the vehicle certification label located on the driver's door or the sidewall to the left of the steering wheel.)

We recommend that you ask for an underlift (wheel lift or frame lift) type towing assembly for safe towing.

Winnebago does not assume responsibility for damage incurred while towing this vehicle.

**NOTE:** Consult the chassis operating guide for any additional towing instructions or precautions provided by the chassis manufacturer.

### CAUTION

Do not lift on bumper. Damage will result to front end body parts.

### WARNING

Stay out from beneath the motor home while it is suspended by the towing assembly unless the vehicle is adequately supported by safety stands. Do not allow passengers to occupy a towed vehicle.

**NOTE:** Know and obey all state and local towing regulations. Tow at reduced speed.

## JUMP STARTING

### WARNING

Automotive batteries produce caustic acid, explosive gases, and electrical current which may cause burns. It is important that the instructions below are followed **exactly**, or personal injury (particularly to eyes) or property damage may result due to battery explosion, battery acid, or electrical (short circuit) burns.

- NEVER smoke near the battery or expose it to open flame or electrical sparks.
- Wear eye protection or shield your eyes while working near battery, in case an explosion does occur. NEVER lean over a battery.
- Do not allow battery fluid to contact eyes, skin, clothing, or painted surfaces. Immediately flush any contacted area with water. If eyes are affected seek medical help after flushing.
- Remove all metal jewelry to lessen the risk of a short circuit occurring.

### Connecting Jumper Cables

1. Make sure that the other vehicle has a 12-volt battery and negative ground compatible with your vehicle's electrical system.
2. Position the vehicle with the good battery so that the jumper cables will reach, but **do not allow the vehicles to touch**.
3. Turn off all electrical accessories, motors, and lights except those needed for safety or to light up the work area. Place automatic transmission in P (Park) and apply parking brake. Be sure parking brakes are engaged in both vehicles.

4. If the weak battery has filler caps, make sure the electrolyte is at proper level. Add distilled water if fluid is low. If electrolyte is not visible or appears to be frozen - **do not attempt jump starting!** A battery may rupture or explode if the electrolyte is frozen or not filled to the proper level.
5. Connect one end of the positive "+" (red) jumper cable to the positive "+" terminal of the weak battery. Connect the other end to the positive "+" terminal of the charged battery.
6. Connect one end of the negative "-" (black) jumper cable to the negative "-" terminal of the charged battery.
7. Finally, connect the remaining end of the negative "-" (black) cable to a solid, metal grounded location on the engine or chassis of the vehicle with the weak battery, at a point at least 18 inches from the battery.  
Do not connect to any moving parts.  
THE MAIN SAFETY PRECAUTION IS TO MAKE THE FINAL GROUND CONNECTION ON THE ENGINE AT A SAFE DISTANCE FROM THE BATTERY. THIS HELPS TO REDUCE THE CHANCE OF EXPLOSION DUE TO SPARKS.
8. Start the engine of the vehicle with the charged battery, and allow it to run for a few minutes at moderate r.p.m. Then start the engine of the vehicle with the discharged battery.
9. Reverse the above sequence EXACTLY when removing the jumper cables. Start by removing the cable from the ground location on the engine first, then continue in reverse sequence.

**WARNING**

Do not attempt to push-start this vehicle. Damage to the transmission or other parts of the vehicle could occur.

**CONNECTING A BATTERY CHARGER****CAUTION**

Disconnect the radio power leads before attaching a battery charger or jumper cables to the battery. The radio tuner may become damaged if this is not done.

To connect a battery charger, first make sure the engine is switched off. Disconnect the negative lead from the battery. Never disconnect the battery while the engine is running or alternator damage could result.

Connect the positive "+" (red) lead of the charger to the positive "+" terminal on the battery. Next, connect the negative "-" (black) lead of the charger to a suitable ground. Finally, plug in or switch on the charger.

To disconnect the charger after charging, unplug the charger from the electrical outlets, remove the charger leads from the vehicle, and reconnect the vehicle leads to the battery.

**ENGINE OVERHEAT**

If you see or hear steam escaping from the radiator or the engine compartment or have any other reason to suspect an extreme engine overheating condition, pull the vehicle over to the roadside as soon as it is safe to do so, stop the engine and get out of the vehicle.

## WARNING

Operating a vehicle under a severe overheating condition can result in damage to the vehicle and may result in personal injury.

An engine will overheat if the coolant is low or there is a loss of coolant because of one or more of the following:

- a leak in the cooling system
- a hose failure
- a drive belt breaking
- water pump failure

Also, be aware of the following situations, which can cause temporary engine overheating:

- climbing a long hill on a hot day
- idling while stopped in traffic for long periods of time
- towing a trailer or automobile
- stopping after a period of high speed driving

If the TEMP indicator on the instrument panel shows a rise in engine coolant temperature while driving, take the following steps to try to lower the overheating:

- If you are using the automotive air conditioner, turn it off.
- If you are stopped in traffic, shift the transmission into P (Park), and engage parking brake.

If the temperature does not drop within a minute or two:

- Pull the vehicle over to the roadside as soon as it is safe to do so.
- Place the transmission in P (Park) and press the accelerator to increase engine speed (r.p.m.'s) to twice that of normal idle speed, and hold it there for approximately two or three minutes.
- If engine temperature does not go down, turn the engine off. Wait until the engine has cooled before opening the hood.

When no trace of escaping steam is heard or seen, open the hood to check for the cause of the overheat. Check hose connections and tighten if necessary. Make sure there are no broken belts, pulleys or hoses before adding any coolant to the radiator.

For further information about overheating, consult your chassis operating guide.

# SECTION 4

## TRAVELING WITH YOUR MOTOR HOME

(See also SAFETY PRECAUTIONS, Section 1 of this manual.)

### LOADING THE VEHICLE

When loading the vehicle, distribute the cargo load equally so that you do not exceed either the Front or Rear Gross Axle Weight Rating (GAWR) or the Gross Vehicle Weight Rating (GVWR). Have your vehicle weighed to determine the proper load distribution for your vehicle. The GVWR is listed on the Vehicle Certification Label.

The total combined weight allowed for the vehicle, including trailer towing load weight, is known as the Gross Combined Weight Rating (GCWR). If trailer towing is not recommended, the GCWR will equal the GVWR.

Your cargo capacity will vary according to the options equipped on your vehicle, and any additional equipment and parts that you have installed, which were not supplied with the vehicle. **Do not exceed** any of the recommended weight ratings.

**NOTE:** *We recommend that you dump all holding tanks before traveling to avoid carrying unnecessary weight.*

### CAUTION

The weight of the loaded vehicle (including options, attachments, passengers, water, fuel, luggage and all other cargo) must not exceed the GVWR or GAWR of either axle.



GVWR (Both Axles)



Front GAWR  
(Front Axle Only)

Rear GAWR  
(Rear Axle Only)

We recommend that you have the front suspension and steering alignment checked and adjusted after you have fully loaded the vehicle according to your needs. Thereafter, have alignment inspected periodically to maintain vehicle steering performance and prevent uneven tire wear.

### ROOF LOADING

The roof is capable of carrying some lightweight articles while the vehicle is in motion. A roof-mounted luggage carrier designed for this purpose is available from your dealer. However, roof load while the vehicle is in motion is not to exceed 10 pounds per square foot or a maximum of 100 pounds.

When the vehicle is stationary, a cargo load of 100 pounds plus the weight of a 225 pound person to load the cargo or to conduct inspection and maintenance is permissible.

Weight added to both the roof and the trailer hitch contribute to the gross vehicle weight, which must not exceed the vehicle's GVWR.

### TRAILER TOWING

The factory installed towing hitch on this coach is capable of pulling 3,500 lbs. (max.) and carrying 350 lbs. (max.)

on the hitch ball. However, your coach's towing and hitch ball capacity may be less due to the coach's loaded weight and/or the towed vehicle's weight and hitch ball weight. The combined weight of the coach and the towed vehicle should not exceed the coach's Gross Combined Weight Rating (GCWR). Also, the combined weight of the coach and the towed vehicle's hitch ball weight should not exceed the coach's Gross Vehicle Weight Rating (GVWR) or its rear Gross Axle Weight Rating (GAWR) listed on the Vehicle Certification Label.

Because of individual vehicle use and loading habits, we recommend weighing the vehicle while fully loaded to avoid exceeding any of the listed Gross Weight Ratings. See "Vehicle Certification Label" on page 0-4 for information on gross weight ratings.

Towing will affect vehicle handling, durability and fuel economy. Exceeding any of the listed Gross Weight Ratings will result in unacceptable overall vehicle performance. Maximum safety and satisfaction when towing depends on proper use of correct equipment. A hitch bar of appropriate steel and size should be selected to mate with the Winnebago Towing Receptor.

Installation of a proper trailer brake system is recommended. Check state regulations on trailer weight and trailer brake requirements to be sure you select the right equipment before towing.

**NOTE:** *If you tow a car or trailer that weighs over 1,000 lbs., it must be equipped with automatically activated brakes. See the Chevy Trucks Recreational Towing Guide or Ford Recreation Vehicle and Trailer Towing Guide for*

*maximum towing capacities and GCWRs. These guides are available from your local Chevrolet or Ford dealer.*

Before descending a steep or long grade when towing a trailer, reduce speed and shift into a lower gear to control vehicle speed. Avoid prolonged or frequent application of brakes which could cause overheating and brake failure.

### WARNING

For safe towing and vehicle handling, maintain proper trailer weight distribution.

The total weight of the motor home and the vehicle towed must not exceed the Gross Combined Vehicle Weight rating. Contact the chassis manufacturer to obtain the Gross Combined Vehicle Weight rating for your chassis.

### CAUTION

Exceeding any of the recommended gross vehicle weight ratings may result in vehicle damage.

Do not install a frame equalizing type hitch on your vehicle.

See also - *Trailer Wiring Connector*, pg. 6-9.

### PRE-TRAVEL CHECK LIST

Before starting the engine to leave on a trip, be sure your motor home has been properly prepared and maintained. This will ensure an enjoyable trip and help avoid delays. Use this checklist as a guide.

- Fluid Levels - Check and fill if necessary:
  - engine oil
  - transmission
  - power steering
  - radiator
  - brake
  - battery
  - windshield washer
- Wheel Lug Nuts - Check for tightness.
- Tires - Check for proper cold inflation pressures as specified on the Vehicle Certification Label.
- Drive Belts - Check for proper condition and tension (not cracked, frayed or loose, etc.).
- 110-Volt Generator (Optional) - Check oil level in generator engine.

## WARNING

Never check oil level in generator while engine is operating.

- Fire Extinguisher - Make sure it is fully charged and secured in mounting bracket.
- Lights - Make sure all exterior lights operate.
- Sewer and Water Supply Hose - Unhook and store.
- TV Antenna - Make certain the TV antenna is lowered and seated in its support cradle.
- Loose Items Inside the Motor Home - Store or secure items.
- Pilot Lights - Make sure all pilots are off.
- Fuel Tanks - Check level.
- Water Tank - Fill with fresh water.
- Exterior Door and Step - Make sure doors are closed, locked and step retracted.
- Seats - Adjusted for comfortable position and locked in place.

- Mirrors - Adjust for maximum visibility from driver's seat.

### EQUIPPING FOR TRAVEL

When beginning a trip, several items should be taken in addition to the basic clothes, food and recreational items. A checklist is provided for your convenience. Remember, it is important to distribute weight and store all heavy items near the floor.

### EMERGENCY EQUIPMENT CHECKLIST

- Flashlight
- First Aid Kit
- Road Emergency Flares
- Tool Box with Assorted Hand Tools
- Plastic Bucket
- Tow Chain or Rope
- Wheel Blocks or Extra Jacks for leveling
- Water Hose
- Fire Extinguisher
- Hydraulic Jack and Lug Wrench
- Spare Tire

### QUICK LOADING CHECKLIST

#### BEDDING

- Sleeping Bags
- Sheets
- Pillow Cases and Pillows
- Mattress Pads
- Extra Blankets
- Laundry Bags

#### COOKING

- Can Opener
- Bottle Opener
- Aluminum Foil
- Matches
- Plastic Bags
- Coffee Pot
- Storage Dishes

#### CLEANING

- Scouring Pads
- Cleanser
- Glass Cleaner

- Dish Soap
- Sponge
- Laundry Soap
- Cleaning Rags or Paper Towels
- Garbage Bags

**BATHROOM**

- Bath/Hand Soap
- Bath Towels that can double as Beach Towels
- Toiletry Kits
- Toothbrushes and Toothpaste
- Shaver/Razors
- Toilet Tissue (RV)

**BABY NEEDS**

- Car Seat (Child Restraint)
- Portable-Crib
- Play Pen

**PERSONAL**

- Credit Card(s)
- Traveler's Checks
- Money
- Driver's License
- Proof of Citizenship (for Canadian or Mexican crossing)
- Sunglasses

**PET NEEDS**

- Food
- Leash
- Water and Food Dishes
- Proof of Rabies Shot

**MISCELLANEOUS**

- String
- Clothesline
- Insect Repellent
- Masking Tape

**TRAVEL TIPS**

As you travel around the country in your motor home, you will pick up useful advice from other motor home owners.

A number of suggestions can also be obtained by reading articles and regular columns in outdoor and camping magazines. Some magazines and publishing companies print an annual park and campground directory. These can be found at your

local newsstand or RV supply dealer. Here are a few travel tips to begin with.

1. Always check for sufficient clearance. Know the height and width of your unit.
2. Always fill the fresh water tank at an approved potable water filling facility or a known purified drinking water source. Taste the water before filling the water tank in an unfamiliar location. The water in some areas may contain an undesirable taste. Do not use a new hose to fill the water tank. It can leave a distinct rubber or vinyl taste.
3. Showers can take a lot of water. Conserve water by taking a "Sea Shower". This is done by wetting down, turning off the water, soaping thoroughly and then rinsing.
4. Dump sewage only at approved dumping stations.
5. Store liquids in plastic containers with tight fitting caps to prevent spills.
6. Keep an eye on the water and holding tank levels. It is a good idea to dump the holding tank at least every two days.
7. When traveling with children, it is helpful to plan their wardrobe for a week. Place each days clothing in a plastic bag and label the bag with the child's name and day of the week for use.
8. Use sleeping bags whenever possible. They save laundry and take up less storage space than bedding.
9. Make sure all compartment doors have been closed and the door step has been stowed in the correct position before moving the vehicle.



10. Before traveling, make sure the refrigerator door has been secured. Use care when opening the refrigerator door after the vehicle has been stopped. Any articles that have shifted may fall out when the door is opened.
11. During peak tourist season and holidays, it is best to phone ahead and make reservations at the park where you plan to stop.
12. Some states or cities will not permit vehicles with LP gas containers to pass through highway tunnels. If your route includes a tunnel, check with the highway patrol or department of highways to avoid inconvenience.
13. Do not leave food or odor-causing material in your vehicle for extensive periods of time. Always allow damp clothing, swimwear, hunting gear, etc., to dry before stowing.
14. Become familiar with the fire extinguisher and make sure it is always fully charged. Remove and replace it and read instructions so you know the correct operating procedure before an emergency happens.
15. Make a list of all groceries, fresh meats, vegetables, newspapers, etc., that you may need and try to pick them up during your last fuel stop of the day. This will prevent leaving a good parking spot once you have arrived at your destination.
16. When you sit over the front wheels while driving, as in a motor home, you have a tendency to crowd the middle of the road. Check the side view mirror frequently to observe how close you are driving to the center line.

### SEVERE WEATHER INFORMATION

One of the more serious conditions affecting the motor home traveler and camper is that of the weather. Whether you travel the high mountain terrain, the lower deserts and flatland or the plains of the midwest, the weather is always with you and subject to change, sometimes with little or no warning. However, adequate warnings are normally broadcast over local radio and TV stations.

Motor home travelers and campers often seek secluded areas for weekend recreation or extended summer vacations. Many recreational areas are vulnerable to severe weather situations, especially flash flooding conditions. A few simple precautions may help lessen the hazards of flash flooding or reduce your immediate involvement.

*NOTE: We recommend that all motor home occupants become familiar with these safety precautions, and be alert to changes in weather.*

- Be alert, because thunderstorms can form at any time, in any month of the year. Thunderstorms can produce large amounts of rain over a small area in a short time, which may result in a flash flood. Listen frequently to weather reports on the radio for weather and flood conditions.
- When camping near a stream, leave plenty of sloping bank between you and the stream.
- Avoid deep canyons and dry washes during stormy or threatening weather. Be aware of alternate exits.
- If heavy rain occurs, move to high ground immediately (at least 30-40

feet above the canyon floor or bottom of dry wash).

- During a flash flood, if you cannot move your vehicle, abandon it. Do not attempt to return to your vehicle before the water has receded.
- Do not attempt to wade to your vehicle if the water is above your knees - fast moving water exerts an enormous amount of pressure, making it impossible to remain standing or walking.
- Do not try to drive through flooded areas.
- Follow instructions of local authorities. Leave immediately when advised to do so. Many lives have been lost because people did not heed warnings.
- Have on hand survival supplies for several days, including food, water, first aid equipment and necessary medications. In desert areas during hot weather allow 3-4 gallons of drinking water per person, per day.
- Before you leave home, inform someone of your destination and when you expect to return. Authorities at your destination should be notified immediately if you do not arrive on time.

#### REMEMBER THESE TERMS:

**Watch:** Severe weather may develop in the specified area. Be alert and prepare for possibility of an emergency.

**Warning:** Severe weather is occurring, or is imminent in certain areas. Move to a safe location immediately.

We highly recommend that you obtain a weather radio. These radios offer up-to-date weather reports. The latest information and forecasts are broadcast by local National Weather Service offices in recorded messages that last from three to five minutes. These messages are replayed continually 24 hours a day. The recorded messages are revised every three to four hours, or more frequently when appropriate.

When severe weather threatens, forecasters at the local National Weather Service office interrupt the broadcasts with storm warnings, either recorded or "live" as the situation demands.

The frequencies used for NOAA Weather Radio (National Oceanic and Atmospheric Administration) nationwide are 162.40, 162.475 or 162.55 megahertz.

#### NIGHTTIME DRIVING

- Make sure all running lights and signal lights are clean and in working order. Have your headlights periodically checked and adjusted.
- Use care when passing other vehicles. Your motor home is a longer vehicle than a car, and you may have a more difficult time knowing when to pull back into your lane. If possible, have another person in the coach help you watch while maneuvering your motor home in traffic.

#### MOUNTAIN DRIVING

Special techniques must be used when driving in mountainous or hilly country.

### Climbing Steep Grades

The transmission will automatically downshift as needed to climb most hills. If the hill is long or very steep, however, you may need to manually shift to a lower gear to keep the transmission from repeatedly upshifting and downshifting. Select the lowest adequate gear range for the duration of the incline. See your chassis operating guide for more information.

#### CAUTION

Observe the engine temperature gauge more frequently than normal. If overheating occurs, pull off to the side of the road and allow the engine to thoroughly cool before refilling the radiator and restarting the engine.

### Descending Steep Grades

When going down a long grade, you may need to manually shift to a lower gear, rather than keeping your foot on the brake pedal. A lower gear will allow the engine to provide a degree of braking action. Holding your foot on the brake pedal for an extended period may cause brakes to overheat, causing you to lose control of the vehicle. See your chassis operating guide for more information.

### CAMPSITE SELECTION

Try to pick as level a spot as possible on which to park your motor home. Whether you nose into a parking site or back into it depends on personal preference and the location of the site's utility hook-ups. Remember that the utility connections on your motor home are on the left (driver) side of the vehicle.

### LEVELING

Leveling the motor home is very important, not only for your comfort but for appliances and plumbing as well. Some refrigerators are extremely sensitive to being unlevel. The ammonia vapor cooling system used in most RV refrigerators can "lock up" and damage the refrigerator if it is not level. This is both inconvenient and costly. Also, water and holding tank level indicators may give false readings because water level is greater at one side of the tank than the other.

The refrigerator is installed level at the factory. So, if the refrigerator is level, the motor home is level. A small bubble-level sight is included in the refrigerator to help you determine refrigerator leveling.

### Hydraulic Leveling System - Optional

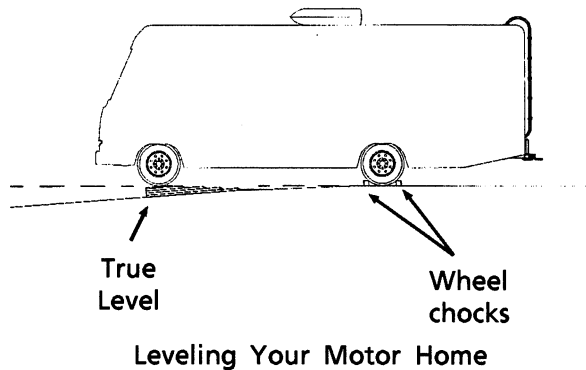
See *Coach Leveling Systems* on page 2-15 for operating information.

### Blocking

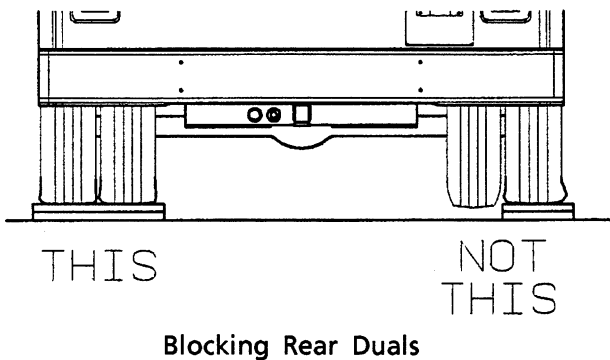
A motor home can be leveled using several methods, including sophisticated electronic-hydraulic systems. The most common and inexpensive method, however, is "blocking."

This is done by stacking various lengths of planking (blocks) into a ramp-like formation in a low spot to drive the wheel onto, thus leveling the coach as shown.

Wedge a pair of wheel chocks or similar devices in front and back of a tire that is on the ground as shown to keep the coach from rolling forward or backward off the leveling blocks.



When placing blocks beneath a set of rear dual wheels, be sure the blocks support **both** tires so that the load weight is not resting on one tire, which could damage that tire.



To provide extra firmness, you can place inexpensive mechanical jacks, jack stands or hydraulic "bottle" jacks under the frame to keep the coach from moving on the suspension springs while walking around inside the coach. These devices are not intended to lift the coach; only to hold it rigid and steady.

**NOTE:** *We do not recommend lifting any of the wheels off the ground for leveling. This could allow the coach to roll off the jacks, possibly resulting in damage to the vehicle.*

## EFFECTS OF PROLONGED OCCUPANCY

Your motor home was designed primarily for recreational use and short term occupancy. If you expect to occupy your coach for an extended period, be prepared to deal with condensation and humid conditions that may be encountered.

## HUMIDITY AND CONDENSATION

Moisture condensing on the inside of windows is a visible indication that there is too much humidity inside the coach. Excessive moisture can cause water stains or mildew which can damage interior items such as upholstery and cabinets.

When you recognize the signs of excessive moisture and condensation in your coach, you should take immediate action to minimize their affects.

You can help reduce excessive moisture inside the motor home by taking the following steps:

**Ventilate with outside air:** Partially open one or more windows and a roof vent to circulate outside air through the coach. In cold weather, this ventilation may increase use of the furnace, but it will greatly reduce the condensation inside the coach.

**Minimize moisture released inside the coach:** Run the range hood fan while cooking, and open a bath vent while bathing or showering to carry water vapor out of the coach. Avoid making steam from boiling water excessively or letting hot water run. Avoid bringing extra moisture into the coach by way of soaked clothing or snow on shoes. Do not hang-dry wet overcoats or clothing inside the coach.

**NOTE:** *Your coach is not designed or intended to be used as permanent housing. Using this product for long term occupancy or permanent housing may lead to premature deterioration of structure, interior finishes, fabrics, carpeting and drapes. Damage or deterioration due to long term occupancy may not be considered normal and, under the terms of the warranty, may constitute misuse, abuse, or neglect, and may therefore reduce your warranty protection.*



# SECTION 5

## LP GAS SYSTEM

---

(See also Safety Precautions, Section 1 of this manual.)

### LP GAS SUPPLY

The LP gas system supplies fuel for the range, water heater, furnace and refrigerator (while in gas mode). When used and handled properly, this system is safe and economical and provides modern living conveniences wherever you travel.

### SAFE USE OF THE LP GAS SYSTEM

The LP system is designed and built with strict adherence to both federal and recreational vehicle industry requirements for mobile LP gas equipment.

For your safety, there are many safety devices and backup systems installed, such as tank fill overflow valves, an interior LP gas detector/alarm, and an interior carbon monoxide (CO) detector/alarm.

LP gas also contains an odor additive that you can smell if LP is present in the air.

Listed below are a few precautions to observe that will help you to use the LP gas system safely.

- Exercise caution at all times. Be familiar with the distinctive odor of LP gas. If a leak is suspected, turn off the supply valve immediately. Have the LP gas system checked by your dealer or a qualified LP gas service center.
- Do not tamper with the LP gas piping system, pressure regulator or gas appliances. Service and maintenance of LP gas system components should be performed only by your dealer or a qualified LP gas service center.
- Never attempt to connect natural gas to the LP gas system.
- Have the entire LP gas system inspected for possible leaks and missing or damaged parts at each tank filling. Also inspect before and after each trip, and any time trouble is suspected.
- Turn the LP supply valve off when not using the LP gas system.
- Never use a wrench to tighten the tank supply valve. It is designed to close leak-tight by hand. If a wrench is required to completely close the valve, it is defective and must be replaced.
- Never allow the tank to be filled above the 80 percent level indicated by the flow of liquid gas out of the overflow valve or by the automatic stop-fill device.
- Be sure appliance and outside vents are open and are not obstructed when using the LP gas system.
- Never attach a lock or any device requiring a key to the LP tank compartment door. According to standards set for recreation vehicles, the LP supply valve must be readily accessible in an emergency.
- Exercise caution when drilling holes or attaching objects to the walls. Gas lines and electrical wiring could be seriously damaged and present an extreme safety hazard.

## HOW LP GAS WORKS

LP (Liquified Petroleum) gas is a true gas compressed into liquid form for easy transportation and storage. LP gas is available in two types — propane and butane. It is also called tank gas, bottled gas, or simply LP.

LP is used by appliances in vapor form only, but is stored in the tank as a liquid under very high pressure. As the liquid gas is released, it reverts back to a vapor and expands to many times its compressed volume.

## SELECTING FUEL TYPES

Butane burns hotter than propane, but will not develop a usable gas vapor at temperatures lower than 32° F. Propane, on the other hand, does not burn as hot but will convert to usable gas at temperatures down to -44° F. For this reason, propane is popular in cold climates, while butane and propane/butane mixtures are used most widely in milder climates.

*NOTE: Most LP dealers normally handle only the type of LP gas commonly used in their climate and area. If you anticipate filling your tank in one of the warmer states prior to traveling to a colder area, it is advisable to request propane only. Otherwise your LP system may fail to operate if the temperature drops below 32° F.*

## LP GAS OUTPUT

Each gallon of liquid LP gas contains approximately 92,000 BTU's of heat energy, or about 36.2 cubic feet of dry gas for heating, cooking, water heating and refrigeration.

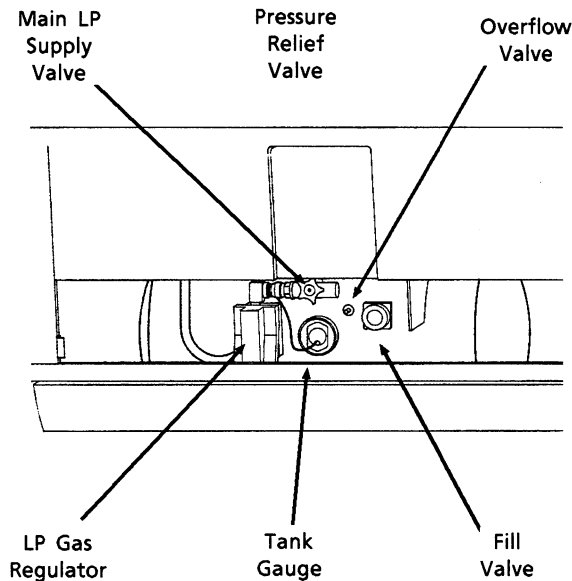
LP gas tank capacities are often listed in pounds rather than gallons. A gallon of LP weighs 4.24 pounds, so 80 pounds of LP equals about 19 gallons. LP tanks can only be filled to 80% of their total capacity, so an 80-pound tank would actually hold 64 pounds, or about 15 gallons.

To find out how long a gallon of LP gas will last, you should determine the total BTU input on all your LP gas appliances in use. Let's say you have a furnace that has a 10,000 BTU input per hour of operation. A gallon of LP gas would last 9.2 hours of continuous operation (92,000 BTU's divided by 10,000 BTU's = 9.2). To estimate how long a gallon of LP gas lasts, try to determine what your total daily BTU input is, then divide into 92,000 to arrive at an approximate daily LP gas consumption.

## LP TANK SYSTEM

The LP gas tank is permanently attached to the vehicle frame and is accessible only from the outside of the vehicle. The tank supply valve is located near the top center of the tank, next to the regulator. Before opening the supply valve, check to be sure all controls for gas appliances are in the "Off" or "Pilot Off" position. If this step is not performed, LP gas could accumulate inside the motor home creating a fire or explosion hazard.





Typical LP Gas System Controls

### LP Gas Tank Capacity

Model	Tank Size*
Chevy or Ford Chassis	23 gal./100 lbs.
Freightliner or Spartan Chassis	30 gal./130 lbs.

\*Tank size is the approximate usable volume, which is 80% of total tank volume. LP gas tanks are sometimes listed in pounds rather than gallons. For reference, a gallon of LP gas weighs 4.24 pounds.

### REFILLING LP TANK

There are many LP gas refueling stations located throughout the country. These stations are listed in the telephone directory Yellow Pages under "Gas - Liquified Petroleum - Bottled and Bulk."

Since the LP tank is permanently mounted to the frame, the motor home must be taken to an LP dealership for filling. Do not attempt to remove the LP tank from the vehicle. The tank is equipped with a

fill adapter with both internal and external threads which allows easy filling with any LP filling equipment. The tank is full when liquid LP gas appears at the overflow valve.

**NOTE:** The LP tank is equipped with an automatic 80% stop-fill device.

## WARNING

Make sure the filling attendant uses the 80% overflow valve when filling the tank. A tank should never be filled above the 80% level to allow for vaporization and liquid expansion.

Do not place LP gas containers inside the vehicle. LP gas containers are equipped with safety devices which relieve excessive pressure by discharging gas to the atmosphere.

Do not place LP gas containers, gasoline, or other flammable liquids inside the vehicle. Fire or explosion may result.

### AIR IN THE LP GAS TANK

If your LP gas appliances do not stay lit or require frequent adjustment, even though you know the LP tank contains sufficient fuel, the problem may be air in the LP gas tank. Air in the tank mixes with the LP gas vapors causing them to burn poorly. This condition could linger for weeks if the air is not purged from the tank. Most LP gas dealers have equipment for purging air from LP gas tanks and will purge before refilling the tank.

### TRAVEL WITH LP GAS

It is illegal for vehicles equipped with LP tanks to travel on certain roadways or through certain tunnels in the U.S. To avoid inconvenience, check

state regulations concerning flammable gas transportation.

**WARNING**

**Do not alter or remove LP tank gauge at any time.**

**WARNING**

**DO NOT FILL CONTAINER TO MORE THAN 80 PERCENT OF CAPACITY.** Make sure the motor home is level when filling. It is possible to accidentally overfill the tank if the vehicle is unlevel, with the fill valve on the uphill side. Overfilling the LP gas tank can result in uncontrolled gas flow, which can cause fire or explosion. A properly filled container will contain approximately 80 percent of its volume as liquid LP gas.

**All pilot lights must be extinguished and supply valve closed before refilling LP gas tanks or vehicle fuel tanks.**

**Do not smoke or expose an open flame while near an LP refueling area.** LP gas is heavier-than-air and extremely flammable.

**Never use an open flame to test for LP gas leaks.**

**Replace all protective covers and caps on LP system after filling.**

**Never fill the LP tank with engine or generator running.**

**REGULATOR**

The pressure regulator is protected from the elements by a plastic cover which should be left in place at all times. Only your dealer or a qualified

LP gas service should remove the regulator cover for adjustments.

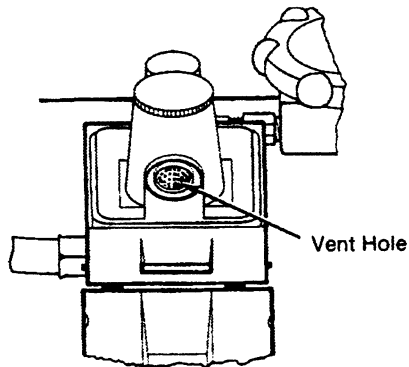
**WARNING**

Inspect the pressure regulator vent hole periodically for blockage. If any obstruction is apparent, have the regulator serviced by your dealer or a qualified LP gas service center.

LP gas regulators are installed with the diaphragm vent facing downward. Make sure that the regulator vent always faces downward to minimize vent obstruction which could result in excessive pressure, causing a fire or explosion.

Regulator freeze-ups are caused by the presence of moisture in fuel. This moisture will pass through the cylinder valve and into the regulator where it can freeze. Fuel producers, tank and bottle manufacturers and LP gas dealers take every precaution to reduce moisture, but sometimes only a fraction of an ounce entering the tank can cause problems. To help avoid the possibility of freeze-up, always keep tank control valve closed when not in use, even when tank is empty, to prevent moisture from collecting on the inside.

If regulator freeze-up should occur, you may attempt to thaw the regulator using a light bulb. **DO NOT USE AN OPEN FLAME OR HEAT LAMP.**



LPG PRESSURE REGULATOR  
(Cover Open)

If moisture begins to cause problems, have your LP gas dealer inject a small amount of dry methyl alcohol in your tank (approximately one ounce to 20 pounds or one pint to 100 gallons) to help guard against regulator freeze-ups.

In very cold weather when a large volume of gas is being used for heating, it is possible to experience a loss of gas pressure. At first, this problem may appear to be caused by a regulator freeze-up, but is actually caused by failure of the liquid gas to vaporize as fast as it is needed. As the temperature becomes colder, it is increasingly harder for the liquid LP gas to vaporize. At the same time, the demand for LP to produce heat increases to the point where the system cannot maintain production.

The only actual solution to this problem is to reduce the consumption of gas where possible. Adjusting the temperature on the gas/electric refrigerator may be a first step. Using less hot water will help as well.

### LP GAS LEAKS

The following label is located in the vehicle near the range area. If you smell gas within the vehicle, quickly and carefully perform the procedures listed.

### IF YOU SMELL GAS

1. Extinguish any open flames, pilot lights and all smoking materials.
2. Do not touch electrical switches.
3. Shut off the gas supply at the tank valve(s) or gas supply connection.
4. Open doors and other ventilating openings.
5. Leave the area until odor clears.
6. Have the gas system checked and leakage source corrected before using again.

### WARNING

Never use an open flame to test for gas leaks.

When testing for gas line leaks with a soapy water solution, DO NOT use a detergent containing ammonia or chlorine. These substances may generate a chemical reaction causing corrosion to gas lines, resulting in dangerous leak conditions.

LP Gas Alarm - See page 1-3.

### WINTER USE OF LP GAS

Due to vaporization characteristics of LP gas, it is important that the winter camper knows how to most efficiently use the LP system. The vaporization rate of LP gas decreases in a direct relationship to a decrease in temperature. As explained in the "Selecting Fuel Types" section, butane does not vaporize below 32° F, so propane must always be used in cold climates. However, even propane vaporizes at a slower rate as it becomes colder.

The greater the amount of liquid gas in the tank (up to the 80% level) the greater the amount of LP gas vapor generated. The following is an example of the number of BTU's available from an 84-pound tank at 0° F at three levels. As you can see, the number of BTU's decreases as the tank is emptied. Nearly twice as many BTU's are available from a full tank than one that is one-fourth full.

**BTU's Available at 0° F.**

<u>Tank Level</u>	<u>BTU's</u>
80%	64,400
50%	50,400
20%	33,000

The following LP Gas Vaporization and Temperature Relationship chart typifies the LP gas loss with a decrease in temperature. The percentage figures are the increase or decrease of vapor that would be available at 0° F. These figures apply to any size LP gas tank.

<u>Temperature</u>	<u>Percentage of BTU's Available at 0° F.</u>
20° F.	200%
10° F.	150%
0° F.	100%
-5° F.	75%
-10° F.	50%
-15° F.	25%
-20° F.	12 1/2%
-44° F.	Propane will not vaporize

# SECTION 6

## ELECTRICAL SYSTEMS

(See also Safety Precautions, Section 1 of this manual.)

Your motor home is equipped with an electrical system consisting of two separate voltages; a 12-volt DC system and a 110-volt AC system. The 12-volt system consists of two internal power sources, while the 110-volt system is operated from an outside power source or the optional 110-volt generator. All systems operate through a power converter control center to provide electrical power to the motor home.

### 110-VOLT AC SYSTEM

The 110-Volt system operates from an outside 110-volt utility service such as those at campgrounds, or from the optional 110-volt generator. When the power cord is connected to an outside power source, or when the generator is in operation, the power converter automatically changes a portion of the 110-volt current to 12-volt DC current. All equipment in the motor home that is normally powered by the auxiliary battery is then powered through the converter.

In addition, the following equipment is entirely dependent on the 110-volt generator or shoreline: roof air conditioner, refrigerator (when placed in 110-volt mode), microwave oven, ice maker, vacuum cleaner and other 110-volt electrical equipment used at convenience outlets.

### External Power Cord (Shoreline)

The external utility power cord (commonly referred to as a "shoreline") is stored in the utility compartment on the left (driver's) side of the coach.

**NOTE:** *Model 37RW has a single shoreline compartment just behind the rear tires.*

### WARNING

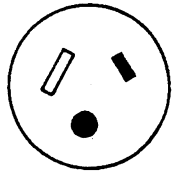
**Do not connect the external power cord to any receptacle until you have contacted the owner and/or attendant of the premises to verify proper polarity and grounding.**

It is the responsibility of the owner of the electrical receptacle to ensure that the receptacle is properly wired and grounded.

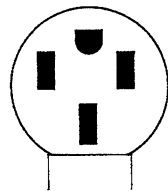
Reverse polarity and improper grounding of the vehicle can cause personal injury or death.

The power cord is designed to ground the electrical system through the receptacle. It is also designed to carry the amperage output of most campground outlets. If the electrical receptacle to be used is designed to mate with the three prongs on the power cord plug, the electrical connection can be expected to carry rated load.

Your coach may be equipped with either 30-amp or 50-amp shoreline service depending on the power requirements of electrical appliances and equipment in the coach. You can tell which type you have by looking at the prongs on the shoreline plug.



30 Amp.



50 Amp.

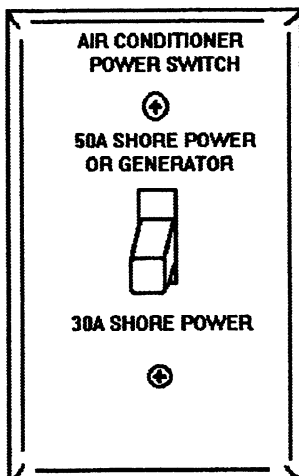
The optional 50-amp shoreline gives your coach extra current handling capacity. This allows you to run the central air conditioning system at maximum (both compressors running) without fear of constantly tripping circuit breakers.

**AIR CONDITIONER POWER SWITCH**

*NOTE: Some parks and campgrounds do not have 50-amp service available, so you will need to connect to a standard 30-amp service pole using an adapter.*

*You must also place the 30/50 Amp Air Conditioner Power Switch in the 30-amp operating position. This prevents nuisance tripping of the breaker on the service pole.*

The A/C Power Switch is located behind the dark glass door above the microwave oven.

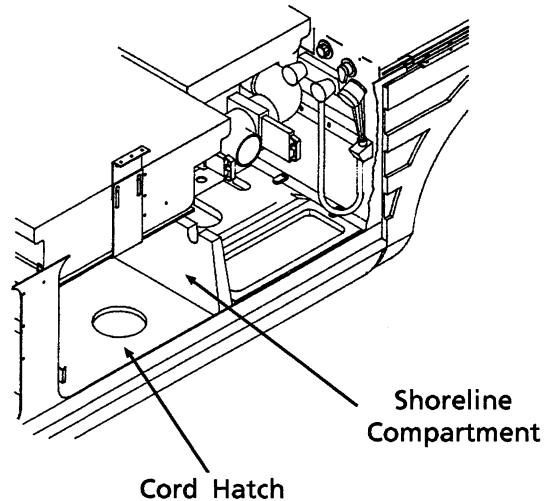


Air Conditioner Power Switch

**CONNECTING THE SHORELINE**

To connect to an external power source, remove the cord from the storage compartment and plug it into a suitable power receptacle.

A small "hatch" provided in the compartment floor allows the door to be closed while the cord is attached to an external source.



**WARNING**

**Do not** plug the power cord into an outlet which is not grounded, or adapt the plug to connect to a receptacle for which it is not designed.

Be sure that all three prongs of the supply cord are properly plugged into the receptacle.

**Do not** connect the power cord to an extension cord.

**Do not** plug the power cord into the generator receptacle while the generator is already running.

Most campgrounds are equipped with a fuse or circuit breaker at the receptacle. This protects the park's

wiring, as well as the power cord on your vehicle, from electrical damage. If electrical power fails, contact the park attendants and have them check the fuse or breaker for your supply receptacle.

After disconnecting the power cord, replace it neatly in the storage compartment.

## POWER CONVERTER

The power converter changes 110-volt AC current from the auxiliary generator or the shoreline into 12-volt DC current for use by 12-volt equipment in the motor home.

Certain circuits, however, remain unchanged for use by items which require 110-volt current, such as the air conditioner(s), the refrigerator in AC mode, the microwave oven, etc.

Current drawn from the coach batteries passes through the power center unchanged, although it is routed through a series of protective circuit breakers located above the range hood.

**NOTE:** The converter will not change 12-volt DC current to 110-volt AC.

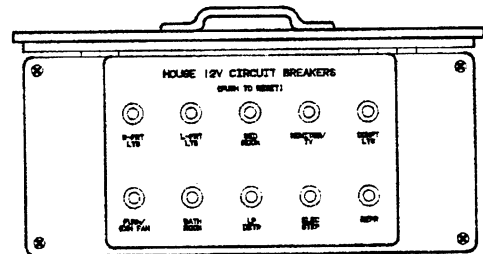
## WARNING

Do not store anything around or on top of the converter, or in front of the cover. The converter generates heat while operating, and needs unrestricted air flow for proper cooling.

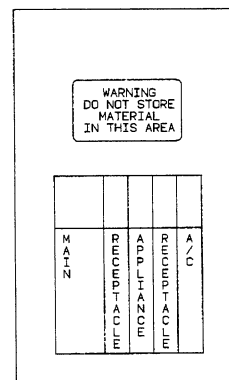
## Power Converter and Circuit Breaker Locations

The converter system is made up of individual components located in various parts of the coach.

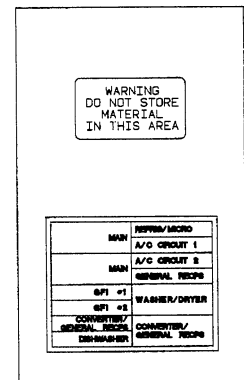
- **Converter Unit:** in basement compartment on passenger side ahead of rear tires. It is protected by a plastic cover.
- **12-Volt Circuit Breaker Panel:** behind dark glass cabinet door above rangehood and microwave oven; contains pop-out breakers.



- **110-Volt Breaker Panel:** behind access panel in lower face of refrigerator cabinet.



30 Amp Panel



50 Amp Panel

## 110-Volt Circuit Breakers

The breaker panel protects all 110-volt components in the motor home from either an overload on the circuit or a short in the wiring or component itself. When an overload or short develops, the breaker will open preventing any further flow of electricity and, therefore, damage to the system.

Shut off the equipment (example: roof air conditioner) and allow a brief

cooling period. Then reset the breaker by moving the switch to "Off" and back to "On". If the breaker is continually tripped and no overload is evident, have the system checked for a short in the wiring or the appliances.

### Charging Section

The converter charges coach batteries while 110-volt external power is connected. The converter will automatically "sense" the condition of the RV battery. If it is below "full charge", the Charging Section will start charging the battery.

If the coach batteries have been extremely discharged, they will accept charge at a relatively high amperage rate. If they are only slightly discharged, they will charge at a lower amperage rate. The rate of charge will decrease as the batteries reach "full charge". Active charging will not resume until batteries again fall below "full charge". The converter will not overcharge the batteries. If your storage battery does not charge as described above, it is possible the battery is defective.

### Thermal Overload Protector

A thermal overload protector will shut down the converter if it becomes overheated. This can result from operating above its maximum limit for an extended period of time or by obstruction of ventilation to unit.

*NOTE: Power converter will automatically route 12-volt lights and motors to battery power in this event.*

The thermal overload protector will reset itself after a cool-down period, and the lights and motors will resume operating from the converter. If the overload trips again shortly after reset,

take immediate steps to correct the cause of overheating. A portion of RV 12-volt load (lights or motors or both) should be turned off to reduce total load. Also, inspect the converter to make sure ventilation is not obstructed.

*NOTE: The converter will not change 12-volt DC current to 110-volt AC.*

### Further Information

Refer to the converter manufacturer's information provided in your Motor Home Operations Manual binder for additional information about your power converter system.

### 110-VOLT RECEPTACLES (OUTLETS)

A number of standard AC electrical outlets are provided throughout the coach for connecting small appliances such as televisions, radios, toasters, etc. Outlets are also located on the outside of the coach near the entrance door, or in an exterior compartment.

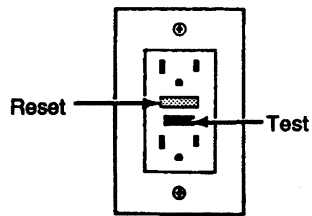
### GROUND FAULT CIRCUIT INTERRUPTER

Exterior, bath and galley outlets are connected to a GFCI (Ground Fault Circuit Interrupter), which is an extremely sensitive circuit breaker that will help to protect against severe electrical shock if a ground fault develops. If such a condition occurs, the GFCI will break the circuit by turning off the power to the protected outlets. Should this occur, unplug all the appliances on that circuit and press the reset button on the GFCI equipped outlet.

If the GFCI keeps tripping, have the electrical system checked and repaired if necessary before using again.

GFCI breakers are located in the bath or bedroom depending on the floor plan of the vehicle.





## WARNING

The GFCI will not completely eliminate electrical shock. Small children and persons with heart conditions or other disabilities which make them especially sensitive to electrical shock may still be injured by a 110-volt receptacles even though protected by a Ground Fault interrupter.

**NOTE:** *In compliance with CSA electrical codes, the appliance outlet in Canadian equipped coaches is not connected to a GFCI protected circuit.*

### AUXILIARY 110-VOLT GENERATOR Optional

Consult the generator manufacturer's information provided in your Owner Operation Manual binder for instructions on operation, troubleshooting and maintenance.

This coach may be equipped with one of several models of generators. Consult the generator owner's manual in your Motor Home Operations Manual binder for specific instructions on starting, stopping your generator.

**NOTE:** *Gasoline powered or diesel powered generators draw their fuel from the main chassis fuel tank. LP gas powered generators draw fuel from the LP gas tank. After extensive generator use, you may notice*

*decreased levels in the affected fuel tank.*

## WARNING

Careless handling of the generator and electrical components can be fatal.

Never touch electrical leads or appliances when your hands are wet, or when standing in water or on wet ground.

Do not attempt to repair the generator yourself. Service should be performed by an authorized service center.

Do not plug the power cord into the generator receptacle while the generator is already running.

### Automatic Power Transfer Switch

Your coach electrical system is equipped with an automatic power transfer switch. The transfer switch is normally in an "off" mode when no AC current is required.

When the generator is started, the transfer unit will switch the power feed to the generator after 10 seconds. The ten-second delay is to allow the generator to start easily without an electrical load.

When the shoreline is plugged in, the transfer unit will automatically switch the power feed connection away from the generator to the shoreline. To use the generator only, unplug the shoreline.

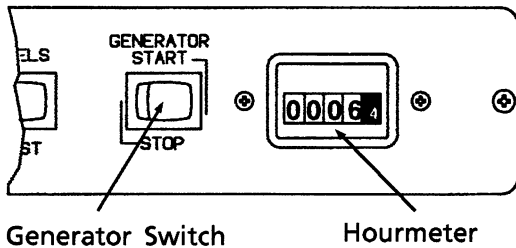
### Basic Generator Operation

#### Starting:

For your convenience, generator switches are located on the dash, on the range hood, and on a nightstand cabinet in the bedroom as well as on

the genset unit itself in the generator compartment. The generator starter circuit does not rely on the automotive battery, so the switch will operate whether the ignition switch is on or off.

- See generator manufacturer's operating information for specific instructions and precautions.
- Reduce all electrical loads. (Shut off lights, fans, appliances, etc.)
- If the generator has not been run for two weeks or more, you may need to prime the fuel system before attempting to start. (See generator manufacturer's information.)
- Press the generator switch On and hold until you hear the generator engine running, then release.



- Let the generator engine stabilize and run smoothly before turning on any appliances or electrical equipment.
- Do not overload the generator by turning too many items on. Refer to the output specifications of your generator in the generator manufacturer's manual. Then see the following electrical load chart to estimate your typical loads.

**Stopping:**

- Before shutting the generator down, turn off electrical loads and let the engine run at no-load for a few minutes to cool down.
- Press the generator switch Off and hold until you hear the generator engine come to a complete stop.

**CAUTION**

Continuous generator overloading can cause high operating temperatures that can damage the generator windings. Keep the electrical loads within the generator wattage rating.

**APPROXIMATE POWER REQUIREMENTS OF COMMON APPLIANCES**

Appliance or Tool	Approximate Power Consumption (Watts/Amps)
Vacuum cleaner.....	200-500W/1.7-4.3A
Coffee maker.....	550-700W/4.8-6.1A
Hair dryer.....	800-1500W/7.0-13.0A
Electric iron.....	500-1200W/4.3-10.4A
Electric blanket.....	50-200W/0.4-1.7A
Television.....	80-100W/0.7A
Electric drill.....	250-750W/2.2-6.5A
Air conditioner.....	1400-2000W/13-19A
Converter.....	300-500W/2.6-4.3A
Microwave oven.....	700-1500W/6.0-13.0A

**Generator Hourmeter (If Equipped)**

This meter is located on the range hood. It registers the total number of hours that the generator has been operated. Refer to the hourmeter to determine when periodic maintenance is due and to record services which have been performed.

**NOTE:** While the generator is running it is normal for the hourmeter to make a periodic "ticking" sound.

**OPERATION WARNINGS AND  
CAUTIONS****WARNING**

The exhaust of all internal combustion engines contains carbon monoxide (CO). This poisonous gas is colorless, odorless, tasteless, and lighter than air. The exhaust systems of both your motor home engine and your generator engine have been installed with your safety in mind. However, certain precautions must be taken when using them to protect yourself from conditions beyond the control of the manufacturer.

1. **Do not** simultaneously operate the generator engine and a ventilator which could draw exhaust gases into the vehicle.
2. **Do not** open windows or ventilators on the end or side of the vehicle where exhaust pipe of the generator is located.
3. **Park the vehicle** so that the wind will carry the exhaust away from the vehicle. Also, note the position of other vehicles to be sure their exhaust will not enter your vehicle.
4. **Do not** operate the generator engine when parked if vegetation, snow, buildings, vehicles, or any other object can deflect the exhaust under or into the vehicle.

Check auxiliary generator oil level frequently during periods of use. Refer to the generator manufacturer's information in your Motor Home Operations Manual binder for specific recommendations.

**WARNING**

Never check generator oil level while generator engine is running.

**12-VOLT DC SYSTEM**

The DC voltage system consists of the automotive battery and the 12-volt motor home auxiliary batteries.

**Automotive (Starting) Battery**

The automotive battery is used solely to operate the engine starter and all automotive accessories and controls found on the instrument panel. This includes the horn, speed control, all exterior lights, radio, windshield wipers, rear auto heater fan, etc.

**Coach Batteries**

The coach batteries supply current to all-volt equipment located in the living area of the motor home. This includes interior lights, range exhaust fan, furnace fan, water pump, water pump, water level and holding tank gauges, 110-volt generator starting, refrigerator, bath roof vent fan, and the rear automotive heater. The coach battery may also be used to start the engine if the automotive battery is discharged. Refer to "Aux. Start Switch."

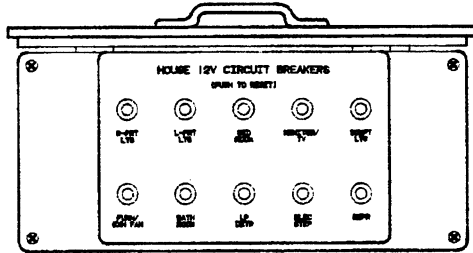
The coach batteries are automatically charged by the engine alternator while the engine is running.

**12-Volt Fuses and Circuit Breakers**

All 12-volt circuits and equipment in the coach area of the motor home are protected by a circuit breaker panel. When a circuit is overloaded or a short develops in any part of the system, a breaker will shut down that circuit. If this happens, turn off all affected lights or appliances and reset the breaker.

A label on the panel states the amperage rating and circuit protected for each breaker.

The breaker panel is mounted in a cabinet above the rangehood and optional microwave oven.



### 12-Volt Chassis Circuit Breakers

The 12-volt automotive and coach circuit breakers are located on a panel on the firewall in the engine compartment. See pages 9-9 and 9-10 for further information.

### Solar Panel Wiring

Your coach is pre-wired for adding a roof mounted solar charger panel if your coach is not already equipped with this option. Because the 2-pin snap connectors are designed to connect to the optional solar panel and charge indicator, we recommend that you obtain the correct components from your Luxor dealer. (Panel: Winnebago P/N 115504-01-000 Indicator: P/N 115505-01-000).

See your dealer for proper installation.

### Solar Charger Panel - Optional

The 110-watt roof-mounted solar charger panel uses the sun to help keep your batteries charged. A charge indicator light is located on a cabinet wall in the galley area near the dinette table, thermostat or range hood monitor panel.

The light will glow red when the solar panel is charging the coach

batteries. The greater the rate of charge, the brighter the light. When the batteries reach full charge the light will gradually dim, then darken.

*NOTE: The solar battery charger is not intended to make the coach battery system "maintenance free." The solar panel will not completely compensate for continuous low amperage draw from components such as the LP gas leak detector, the clock in the dash radio and the radio station memory circuitry, for example.*

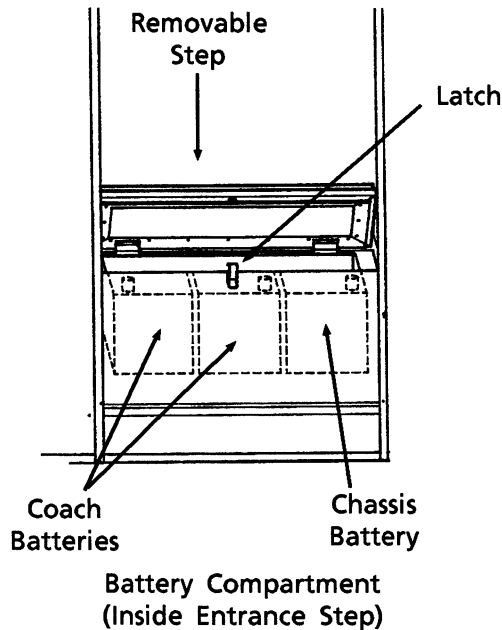
*Although the solar panel system can help to extend battery life, the coach shoreline should be plugged in routinely to "top off" the batteries. We also recommend following regular battery inspection and maintenance, especially in cold weather.*

### BATTERY INFORMATION

The coach batteries are "deep-cycle" type batteries specially designed for recreational vehicle use. They will provide longer lasting power than standard automotive batteries, and will withstand the frequent drain-and-recharge cycles that occur under the demanding conditions of a camping outing.

### Battery Access

The batteries are located beneath the top entrance step. Unhook the latch assembly fastening the top step and remove.



### Battery Maintenance

Lead acid-type batteries are electro-chemical devices for storing and releasing electrical charge. As such, they are simply an electrical reservoir, not an electrical source. As soon as energy is removed from the battery, it should be replaced by the engine alternator or the RV converter system.

If a battery sits unused for 30 days or more, especially during warm weather, it can develop a deposit of sulfate crystals on the metal plates inside the battery. This condition is called sulfation or sulfating, and prevents the battery from either releasing or accepting a charge. If this condition occurs, the battery must be replaced.

If a battery does not contain at least 70% charge during freezing temperature, the electrolyte can freeze and crack the battery case.

The two best defenses against either sulfation or insufficient charge are:

1. to disconnect the battery cables to avoid any "parasite" discharge, and
2. to check the battery and recharge as necessary at least once a month during long periods of storage.

A further precaution is to remove the battery from the vehicle and store it in a cool location on a wooden or rubber pad, checking charge periodically to avoid discharge or sulfation.

To ensure that the battery will always accept and hold a charge, follow these simple maintenance practices.

- Make sure the batteries always remain securely clamped in the battery tray.
- Make sure battery cable clamps are tight on the terminal posts and are free of corrosion.
- Neutralize corrosion buildup or acid film on top of battery by washing with a baking soda/water solution. Rinse with clear water.

**NOTE:** Make sure vent caps are on securely to prevent baking soda solution from entering the battery and contaminating the electrolyte fluid.

### WARNING

Before removing any battery cables or battery, make sure all 12-volt equipment in the motor home is off and the power cord has been disconnected.

Replace any damaged cables at once. Always remove jewelry and wear protective clothing and eye covering when checking or handling batteries.

- Clean and tighten battery terminals and have the specific gravity checked at least once a year.
- Every two months, or more often in hot weather, check the battery fluid

level. Fill to approximately 3/8 inch above the plates. DO NOT OVERFILL. If fluid is added during freezing weather, the motor home should be driven several miles to mix water and electrolyte to prevent freezing.

- Fluid level check may be omitted if equipped with maintenance-free batteries.

## WARNING

To prevent wiring damage, it is essential when replacing the cables on the battery, or when using a "booster" battery, that the positive post and the positive cable be attached and the negative post and negative cable be attached. The posts are marked (+) plus and (-) minus. If a "fast charger" is used while battery is in the motor home, disconnect both battery cables before connecting the charger. Never attempt to charge or boost a frozen battery.

### Battery Condition Meter

See related item under "Monitor Panel" in section 8, Appliances.

### AUX. START SWITCH

See section 2, Driving Your Motor Home, for information on the Aux. Start Switch.

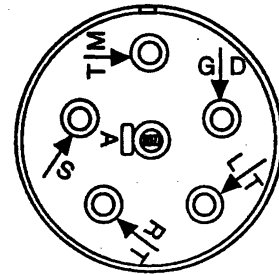
### TRAILER WIRING CONNECTOR

Your coach is pre-wired for trailer or car towing lights with a 6-pin socket on the rear bumper. The connector plug is supplied in the coach parts package provided to you by your dealer when you took delivery of the vehicle.

The diagram below shows proper connection of trailer or tow vehicle wiring to the coach light system. Remove the small screw near the end

of the plug and slide the contact assembly out of the barrel.

- TM = Tail lights
- GR = Ground
- LT = Left turn
- RT = Right turn
- S = Brake
- A lights = Backup lights



### DIESEL ENGINE BLOCK HEATER Model 35RQ on Freightliner and Spartan diesel chassis only

Diesel powered coaches are equipped with an engine block heater for easier starting in cold weather. The power cord and a convenience receptacle are located in the driver side rear cargo compartment. The receptacle is on the "ceiling" of the compartment.

### To Use the Engine Heater

The receptacle is attached to both the shoreline and the auxiliary generator so extension cords are not needed under most circumstances.

All you have to do is plug the heater cord into the convenience receptacle and plug the shoreline cord into a shoreline hookup.

If a shoreline hookup is not available, just start the auxiliary generator to provide power to the engine heater.

**REMEMBER!** *Unplug the engine heater cord from the convenience outlet when the heater is not being used. The heater will keep operating for as long as it is supplied with electricity. If the heater is left plugged into the receptacle, it will come on each time you hook up the shoreline cord or start the generator.*

# SECTION 7

## PLUMBING SYSTEMS

### FRESH WATER SYSTEM

The fresh water system provides water to the galley sink, shower, bathroom lavatory, toilet and water heater. Water may be supplied by either of two sources:

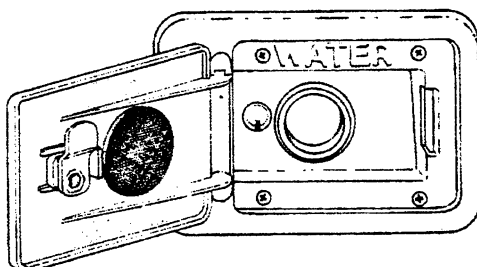
- a water tank located within the motor home, or
- any external water source to which the motor home may be connected, known as "city water".

### FRESH WATER TANK FILLING PROCEDURES:

Always fill the fresh water tank at an approved potable water filling facility or a known purified drinking water source.

You can fill your water tank using either of two methods; gravity fill or city water pressure fill.

**Gravity Fill:** Insert hose into fill opening and turn water supply on. Tank is full when water flows from overflow tube beneath coach. The gravity fill tube is located behind a small, lockable door on the right (passenger) sidewall toward the back of the coach.

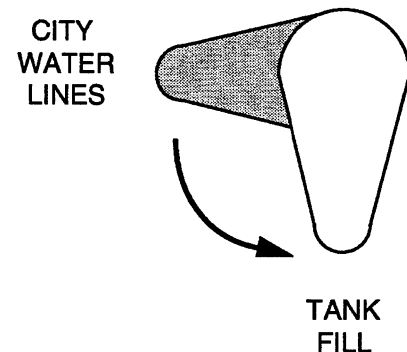
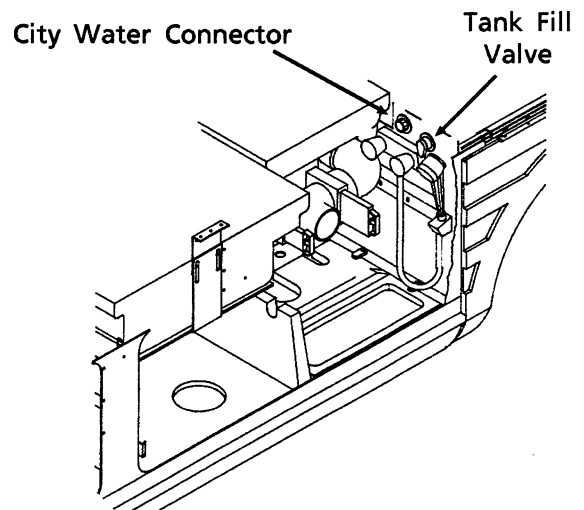


Water Tank Gravity Fill

**City Water Pressure Fill:** Attach hose to city water connector. Open tank fill valve (faucet) inside compartment, then turn water supply on. Tank is full when water flows from gravity fill

tube. The city water connector is located in a rear side compartment on the left (driver) side of the coach.

**NOTE:** Be sure to open the gravity fill door to prevent pressure build up while filling the tank from the city water connector.



**NOTE:** Always keep the tank fill valve closed unless you are filling the tank. If this valve is open while using the city water, the water will keep flowing into the tank and out the gravity fill tube.

**Fresh Water Tank Capacity**

Models 33RQ, 34RA & 34RQ* .....	70 gal.
Models 34WQ, 36WA & 36WK .....	70 gal.
Models 31RQ & 37RW .....	80 gal.
Model 35WQ .....	80 gal.
Models 34RQ** & 35RQ .....	86 gal.

(\*w/Chevy chassis)

\*\*w/Freightliner or Spartan chassis)

**WATER PUMP**

Pressure for the water system is supplied by a water system demand pump which is fully automatic after initial priming. When a faucet is opened, the pump begins operation to provide a constant flow from the tank. When the faucet is closed, the pump automatically shuts off.

**Water Pump Switches**

Your coach is equipped with water pump switches in three convenient locations:

- on the range hood monitor panel (See section 8)
- in the bathroom
- in the exterior shower compartment on the outside of the coach (See page 7-4)

While any pump switch is in the "ON" position, the pump will automatically supply water pressure as it is needed. It is recommended that the pump switch be turned off whenever you are away from the vehicle or not using the water system. A slow leak in a faucet could drain the water system and discharge the coach battery.

**Initial Start-Up**

1. Make sure that all water drain valves are closed, including water heater valve. (Refer to Section 11.)
2. Turn water pump switch to "OFF" position.
3. Fill water tank.

4. Open all faucets, hot and cold.
5. Turn on pump switch.
6. Close each faucet as it begins to deliver a steady stream of water (close cold water first). Leave hot water faucets on until they also deliver a steady stream of water. This will ensure that the water heater is filled with water.
7. Check to be sure pump stops soon after all faucets have been closed.
8. Pump is now ready for automatic operation. Pump will start when a faucet is opened and stop when the faucet is closed.

**INSTRUCTIONS FOR DISINFECTION OF FRESH WATER SYSTEMS ON RECREATION VEHICLES**

**(As approved by the U.S. Public Health Service)**

To assure complete disinfection of your fresh water system, it is recommended that the following procedure be followed on a new system, one that has not been used for a period of time, or one that may have become contaminated. This procedure is also recommended before long periods of storage such as over winter.

1. Prepare a chlorine solution using 1 gallon of water and 1/4 cup of household bleach (sodium hypochlorite solution). With tank empty, pour chlorine solution into the tank. Use 1 gallon solution for each 15 gallons of tank capacity. This procedure will result in a residual chlorine concentration of 50 ppm in the water system. If a 100 ppm concentration is required as discussed in item 3, use 1/2 cup of household bleach with 1 gallon of water to prepare the chlorine solution. One gallon of the



solution should be used for each 15 gallons of tank capacity.

2. Complete filling of tank with fresh water. Open each faucet and run the water until a distinct odor of chlorine can be detected in the water discharged. Do not forget the hot water taps.
3. Allow the system to stand at least 4 hours when disinfecting with 50 ppm residual chlorine. If a shorter time period is desired, then a 100 ppm chlorine concentration should be permitted to stand in the system for at least 1 hour.
4. Drain and flush with fresh water.

## WARNING

Chlorine is poisonous - recap bottle and clean utensils after use.

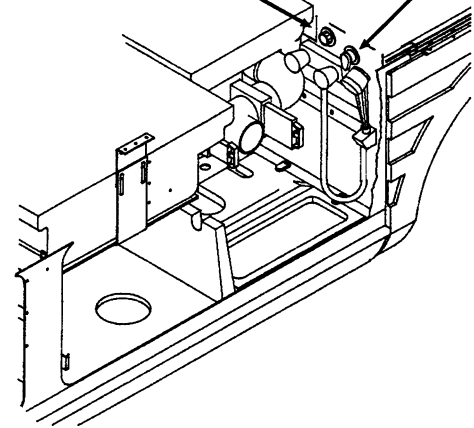
Never use automotive type antifreeze in your potable water system as it is poisonous.

### EXTERNAL WATER SUPPLY ("City Water")

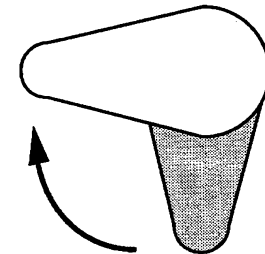
To connect to an external source:

1. Turn the demand pump switch to OFF. Also be sure tank fill valve is closed.
2. Attach a hose from the external water source to the city water connection in the utility service compartment on the left side of your coach.
3. Turn on the external water source.

City Water Connector      Tank Fill Valve



CITY  
WATER  
LINES



TANK  
FILL

When connected to an outside source of water, the water bypasses the demand pump and storage tank and supplies pressure directly to individual faucets and toilet. A check valve built into the pump prevents water from entering the pump and filling the storage tank.

**To disconnect from the external source:**

1. Turn the external source off.
2. Open a faucet inside the vehicle to relieve line pressure.
3. Disconnect the hose from the vehicle and replace the cap on the connection.

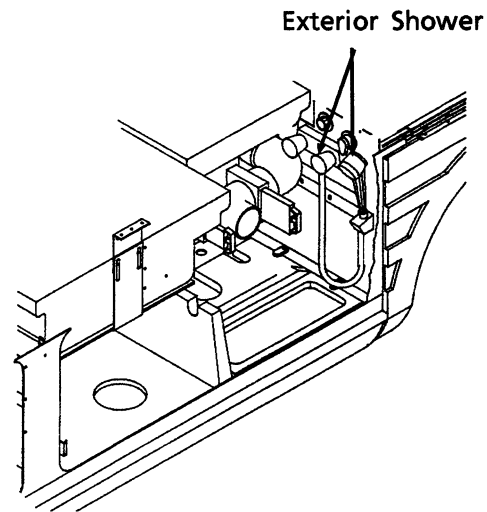
### SHOWER HOSE VACUUM BREAKER

After using the shower, you may notice water dripping from the shower faucet assembly. The dripping results

when vacuum in the shower hose (after closing the shower faucet) slowly releases and allows water remaining in the hose to drain down. This is a normal function of the shower valve assembly and is not a leak or defect.

The International Association of Plumbing and Mechanical Officials Standard TSC 21-85 (PAR. 4.3) states:

"Shower heads which incorporate shutoff valves, shall have a minimum "drip rate" of one (1) quart in thirty (30) minutes."



### CAUTION

If items are placed into the shower tub before shower valve vacuum release is complete, they may become wet.

The label shown below is attached on or near the faucet to explain the operation of the vacuum breaker assembly.

For your protection, this faucet is equipped with a vacuum breaker (back flow preventer) to prevent contamination of your potable water supply. The water in the hand held shower hose will drain through this vacuum breaker when the faucet is turned off. This is not a leak. This drainage is inherent in the design of the vacuum breaker, and is evidence that it is functioning properly.

P.P.I. 0387

### EXTERIOR SHOWER

The exterior auxiliary shower is located in the utility system compartment. This feature allows you to do things such as rinse off sand or salt after a swim, rinse off muddy boots, or bathe your pet outside the coach.

It is located in the utility system compartment.

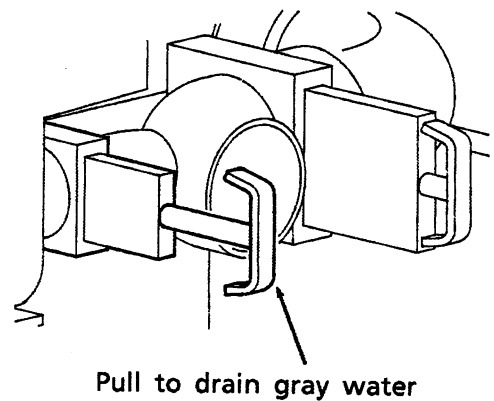
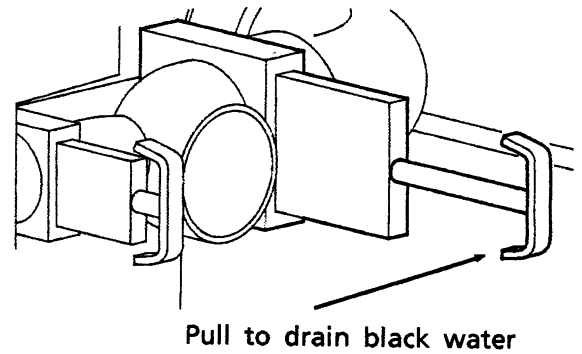
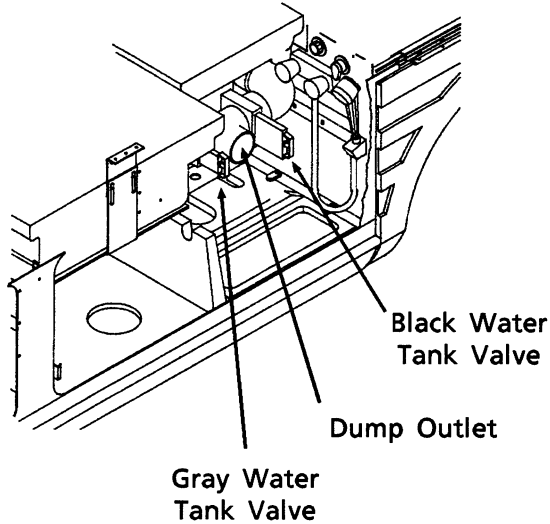
For your convenience, a water pump switch is located near the shower knobs. This allows you to turn the pump on or off from outside the coach.

The exterior shower also doubles as a water line drain valve. See drain valve locations on page 7-8 for further information.

### DRAINAGE SYSTEM

The drainage system is self-contained, allowing use of the toilet, sinks, or shower even in areas where hook-up is not available. The drainage system may have two or three holding tanks depending on model and floor plan.

The holding tanks are dumped through a common outlet located inside the utility compartment on the left side of the coach, ahead of the rear wheels.



### Dumping Holding Tanks

1. Remove drain hose from exterior storage compartment.
2. Remove dust cap from drain and connect drain hose. Be sure it is firmly attached.
3. Place the other end of sewer hose into disposal opening.
4. Open the black water valve with a quick pull and make sure there are no sags in the hose. Move the hose gently about to dislodge any waste and ensure complete drainage. Close black water valve as soon as tank is empty.

**NOTE:** Do not open the gray water valve until the black water tank is drained and dump valve closed to avoid sewage back-up into gray tank. Gray water also rinses any black water solids from the drain hose.

5. Open the gray water valve. Be sure there are no sags in the hose to ensure complete drainage. Close gray water valve as soon as tank is empty.
6. After both tanks have been drained, run several gallons of water into the sewage tank through the toilet. Then open sewage dump valve and drain the tank again. Close valve and replace dust cap securely.
7. It is advisable to add an odor control chemical to the sewage holding tank. These chemicals are available at most R.V. stores.
8. Rinse sewer hose thoroughly with water and stow.

**NOTE:** We recommend that you dump all holding tanks before traveling to avoid carrying unnecessary weight.

## Using On-Site Sewer Hook-Ups

The drain hose may remain attached to the dump outlet and be routed out the bottom of the compartment while the motor home is parked and connected to an on-site sewage hook-up.

When using a sewer hook-up, keep the dump valves closed until a tank becomes full or when preparing to leave the site. This keeps the solids in suspension, allowing them to be carried out with the liquids when the dump valve is opened. If the valve is left open, the liquids will drain off, leaving solids in the tank. Should this accidentally happen, disconnect the hose, fill the tank about half full with water, and drive a few miles to dislodge the solids. A few starts and stops will aid in the process. Then reconnect the hose and drain in the normal manner.

## Holding Tank Level Indicators

The holding tanks may be monitored on the wall mounted monitor center, model and options.

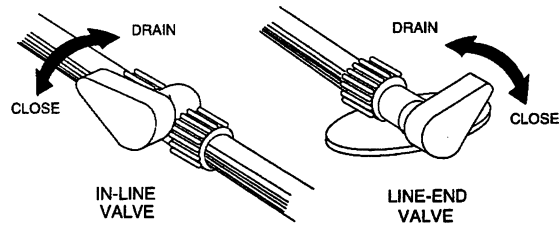
Press the "Levels Test" switch to check the level in each tank.

See page 8-9 for further information on the monitor panel.

## WATER DRAIN VALVES

The water drain valves are used to drain water from the water tank and the water supply lines when preparing the motor home for storage or when sanitizing the water system.

To open or close the drain valves, turn the handles in the directions indicated by the following illustration.



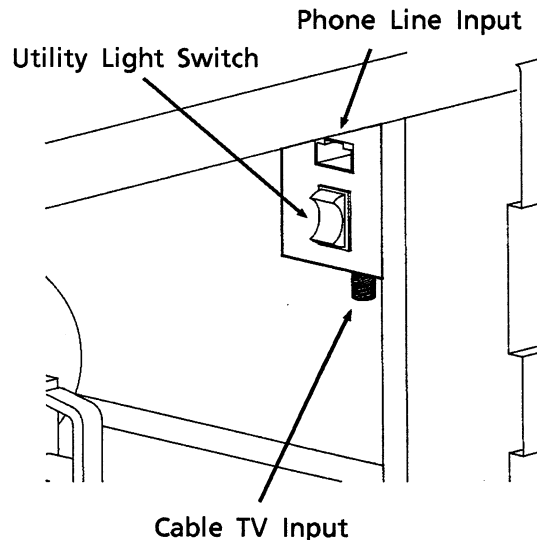
Water Drain Valves (Typical)

Drain valve locations are listed on the following pages.

## UTILITY LIGHT

A lamp is located up on the left sidewall to provide light in the utility hook-up area.

The switch is located inside the utility system compartment on the left side of the coach.



## HOLDING TANK CAPACITIES

### Black Water Holding Tank (Tank 1)

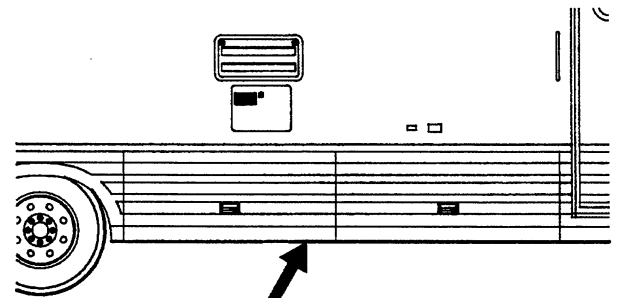
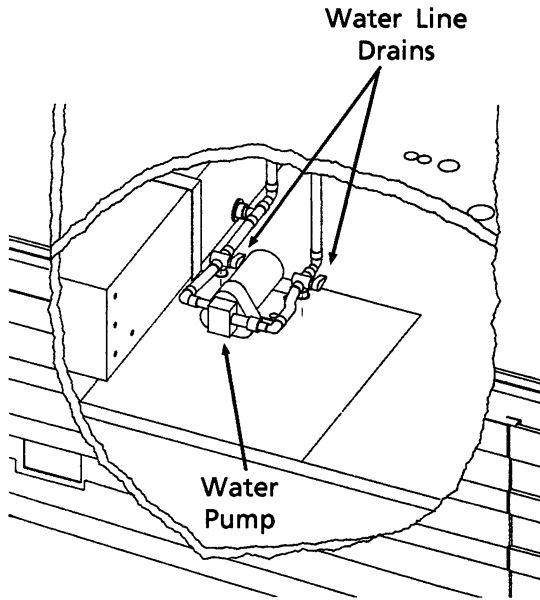
Model 31RQ (Toilet) .....	49 gal.
Models 33RQ, 37RW, 34RQ, & 35RQ (Toilet) .....	55 gal.
Models 34RA (Toilet & Lavatory) .....	55 gal.
Models 34 WQ & 36WK (Toilet) .....	46 gal.
Model 36WA (Toilet & Lavatory) .....	46 gal.
Model 35WQ (Toilet & Galley) .....	59 gal.

### Gray Water Holding Tank (Tank 2)

Models 31RQ, 33RQ, 37RW, 34RQ & 35RQ (Galley, Lavatory & Shower).....	50 gal.
Model 34RQ (Galley & Shower) .....	50 gal.
Model 35WQ (Lavatory & Shower) .....	46 gal.
Models 34WQ & 36WK (Galley, Lavatory & Shower) .....	59 gal.
Model 36WA (Galley & Shower) .....	59 gal.

**WATER SYSTEM DRAIN VALVE LOCATIONS**

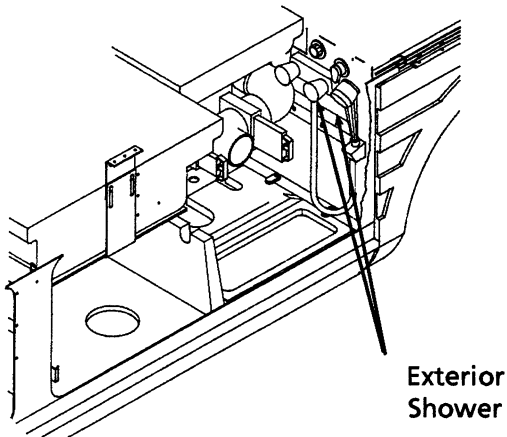
MODEL	SYSTEM	DRAIN VALVE LOCATIONS
31RQ 34RA	<p>Water Lines:</p> <p>Water Tank:</p> <p>Water Heater:</p>	<p>One (1) valve near the water pump in the left rear compartment. Also use Exterior Shower - (Place shower head on ground and open shower knobs to drain water lines.)</p> <p>One (1) valve near the water pump in the left rear compartment.</p> <p>Drain plug on outside of coach, behind service door. Use socket to remove drain plug. (The water heater by-pass valve is located behind the access panel below the refrigerator. See page 8-11 for by-pass directions.)</p>
33RQ 34RQ 37RW 34WQ 36WA 36WK	<p>Water Lines:</p> <p>Water Tank:</p> <p>Water Heater:</p>	<p>One (1) valve near the water pump in the right rear compartment. Also use Exterior Shower - (Place shower head on ground and open shower knobs to drain water lines.)</p> <p>One (1) valve near the water pump in the right rear compartment.</p> <p>Drain plug on outside of coach, behind service door. Use socket to remove drain plug. (The water heater by-pass valve is located behind the access panel below the refrigerator. See page 8-11 for by-pass directions.)</p>
35RQ 35WQ	<p>Water Lines:</p> <p>Water Tank:</p> <p>Water heater:</p>	<p>Use Exterior Shower - (Place shower head on ground and open shower knobs to drain water lines.)</p> <p>One (1) cap nut located beneath the center of the coach. (See illustration below.)</p> <p>Drain plug on outside of coach, behind service door. Use socket to remove drain plug. (The water heater by-pass valve is located up on the ceiling of the utility system compartment near the exterior shower assembly. See page 8-11 for by-pass directions.)</p>



**Water Tank Drain Plug**  
(Freightliner & Spartan Chassis Only)  
Models 35RQ & 35WQ

### Water Line Drains

- 33' & 37' Models: Right rear compartment
- 31' & 34' Models: Left rear compartment
- 34' & 36' Grand Tour Models: Right rear compartment



All models include 35RQ and 35WQ: Place shower head on ground and open shower knobs to drain lines.





# SECTION 8

## APPLIANCES AND INTERIOR FEATURES

(See also Safety Precautions, Section 1 of this manual.)

**NOTE:** *Some items described in this section may be optional and, therefore, may not be in your vehicle.*

The appliances installed in your motor home are manufactured by reputable RV appliance makers and have been tested by independent laboratories to meet all applicable standards and codes set for RV appliances. These appliances are covered by your New Vehicle Limited Warranty. (Certain items may be covered by individual manufacturer's warranty.) See your New Vehicle Limited Warranty for details.

### REFRIGERATOR

The refrigerator in your coach can be operated from either of two power sources available to the motor home:

- 110-Volt AC electric
- LP gas

The refrigerator is an absorption type which uses an ammonia-water solution for cooling. Basically, ammonia vapor is distilled from the solution by heat, produced from either LP gas or electricity and then carried to the finned condenser where it liquifies. The liquid then flows to an evaporator where it creates cold temperatures through evaporation.

### Leveling

Before operating the refrigerator when the motor home is stationary, place a small level on the freezer plate and make certain the unit is level.

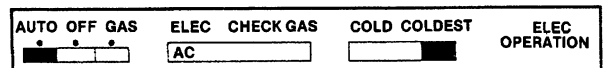
### CAUTION

To prevent permanent damage to the refrigerator cooling unit, turn the refrigerator off if the vehicle will be parked on an incline of over 3° side-to-side or 6° front-to-rear (such as steep driveways or parking lots, etc.) for more than one hour.

Normal vehicle leveling to provide comfort for the occupants is satisfactory for refrigerator operation. This will be well within the operation limits of 3° off-level side to side and 6° off-level front to back.

### Operating Instructions Norcold Model 662 and 682 with Auto Mode Selector

### Start-Up Instructions - Auto Mode



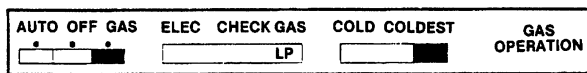
1. Move thermostat to COLDEST position. Set AUTO-OFF-GAS switch to AUTO.
2. If 110 volts is active, the panel will display AC, indicating refrigerator is operating in 110 volt AC mode.
3. If 110 volts AC is inactive (power failure, disconnected, etc.), it will display LP, indicating refrigerator has automatically switched to LP gas mode.
4. If the panel displays LP and a red X continuously, the refrigerator has failed to ignite burner on gas mode. Restart gas operation by

moving AUTO-OFF-GAS switch to OFF and back to AUTO. (See steps 3, 4, and 5 under Gas Mode).

NOTE: Unit operation will automatically return to AC when 110 volts AC is restored, even if the unit is locked out on gas operation.

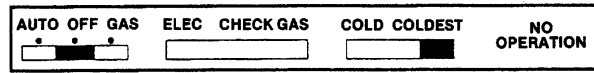
5. Move thermostat to desired setting, usually a middle setting.

### Start-Up Instructions - Gas Mode



1. Move thermostat to COLDEST position, Set AUTO-OFF-GAS switch to GAS.
2. The panel will display LP, indicating LP gas mode. (If LP is not displayed, check for loss of DC supply voltage.) Initially, the red X will be displayed for about 5 seconds; after which, sparking will start at the burner and the red X goes off.
3. After 10 seconds, the burner should ignite and operate normally.
4. On the initial refrigerator start-up, it may take longer than 10 seconds to allow air to be purged from the gas line. If gas does not ignite within 10 seconds, valve will automatically shut off and the red X will be displayed at the CHECK position.
5. To restart when the X is displayed, move AUTO-OFF-GAS switch to OFF position, then return switch to the GAS position.  
 DO NOT CONTINUE TO RESET GAS SWITCH IF THE CHECK INDICATION CONTINUES TO DISPLAY AFTER SEVERAL TRIES.

### Shut Down Instructions - Gas or Electric

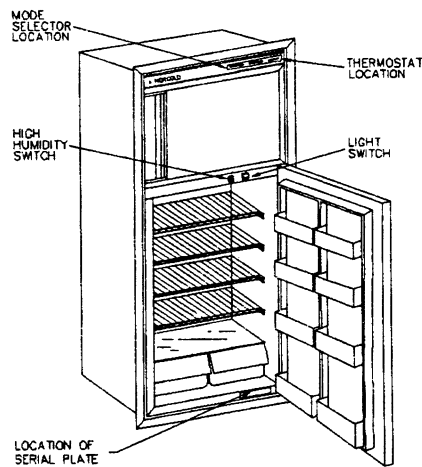


Short Duration: Set AUTO-OFF-GAS switch to OFF.

Long Duration: Set NORMAL-STORAGE-HIGH HUMIDITY switch (located on divider between the two doors) to STORAGE.

### Location of Controls

The Mode Selector is located above the upper door and includes the thermostat for controlling the interior temperatures, the switches which select the operating mode, and the panel which continuously displays the selected operating mode. On the divider panel, located between the two doors, is the High Humidity and Storage switch. (See following paragraphs for a description.) The light switch is located in this area to automatically activate the cabinet light when the lower door opens.



### Mode Selector

#### Auto:

The refrigerator will operate on 120 volts AC so long as AC power is

available to the refrigerator. If AC power is lost (or disconnected), the Selector will automatically switch to gas operation. As soon as AC power is restored, the Selector automatically switches back to AC operation. (The user does not have to manually switch the refrigerator back to AC.) When the operation is automatically switched to gas, the burner will ignite and continue to operate the refrigerator at the same thermostat setting as set for AC power. The gas operation assumes that an LP gas and 12-volt DC supplies are available.

#### Gas:

This selection allows the refrigerator to operate on LP gas only. It will not automatically switch modes regardless of whether AC power is connected or not. If the flame is lost (LP tank empty, etc.), the operation locks out and must be manually reset.

#### Quick Reference:

For Gas Operation:

- Propane gas must be available.
- 12 Volts DC

NOTE: 12 volts is necessary to automatically light or relight gas burner.

- Controls set per "Lighting Instructions."

For AC Operation:

- 110 Volts AC (108 volts minimum).
- Controls set per "Start-up Instructions."

#### Operating Tips

- The refrigerator should already be cold before placing items in it.
- Food and beverages should also be cold before placing in RV refrigerator. Never put warm or hot items in a cold refrigerator.

- Do not pack the refrigerator too full. The refrigerator needs room for cold air to circulate.
- Use smaller containers for each item. (e.g. a half gallon container of milk instead of a half-full gallon jug)
- Always put foods, especially liquids, in tightly sealed containers.
- Use crumpled paper between loose items to reduce rattling or "clinking" noises.

#### Humidity Storage Switch

Turning this switch to HIGH HUMIDITY will keep the surface between the door openings dry during high humidity conditions. The switch should be left in the NORMAL OPERATION position unless moisture collects around the door.

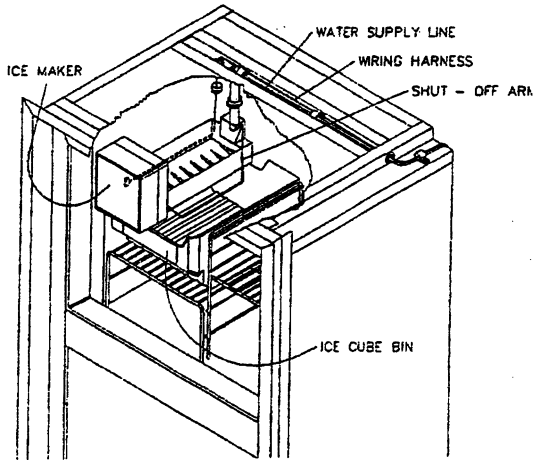
When storing your RV for the winter, place this switch in the STORAGE (LIGHT OFF) position. This shuts off all DC power to the light and humidity heater and allows the refrigerator door to be left open for airing without draining the battery.

#### ICE MAKER

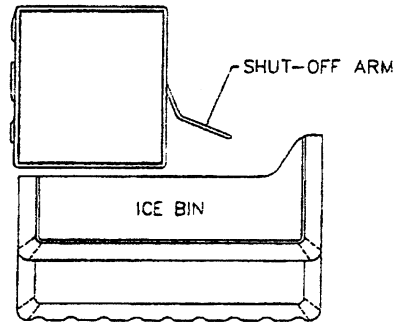
Some Norcold refrigerators are optionally equipped with an automatic ice maker system. The ice maker unit is installed in the freezer compartment of the refrigerator.

The ice maker does not freeze the ice. The refrigerator freezer compartment does the actual freezing of the water. The ice maker simply senses when the ice is ready, ejects it into the ice bin, and refills the molds with water for another ice cycle. When the ice bin is full, the amount of ice will raise an automatic shutoff arm which stops the ice maker. Some problems involving lack of ice

production - particularly a lack of freezing - may be the fault of the refrigerator rather than the ice maker.

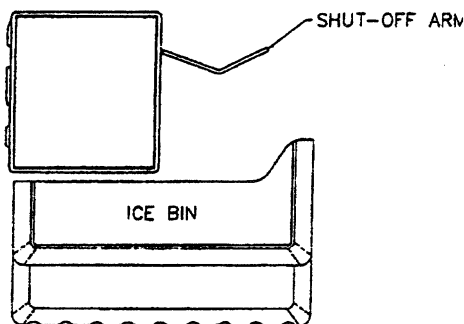


Ice Maker Location - Freezer Compartment



### Operating the Ice Maker

1. Connect the coach shoreline to a 110VAC source and switch the refrigerator to AUTO (AC electric) mode. The ice maker motor runs on 110-volt current only.
2. Connect the coach to an external (city water) source or leave water pump switch on continuously to provide a constant water supply.
3. Be sure the ice bin is in place and the ice maker's automatic shut-off arm (wire) is in the down (automatic) position. If the arm is up, the ice maker will not operate.



4. Start the refrigerator the day before ice cubes are needed. When the refrigerator is started (from room temperature), it is normal to take as long as 24 hours to become cold enough to make the first batch of ice cubes.
5. Always discard the first batch of cubes made in a new ice maker. The new plumbing lines and connections may cause discolored and bad tasting ice.  
\* The ice maker will make up to 3 lbs. of ice in 24 hours, if the freezer temperature is 14°F or below.
6. To remove the ice bin, raise the automatic shut-off arm (off). When returning the ice bin to the freezer, remember to lower the shut-off arm (on). If the arm is up, the ice maker will not operate.

### Shut-Down

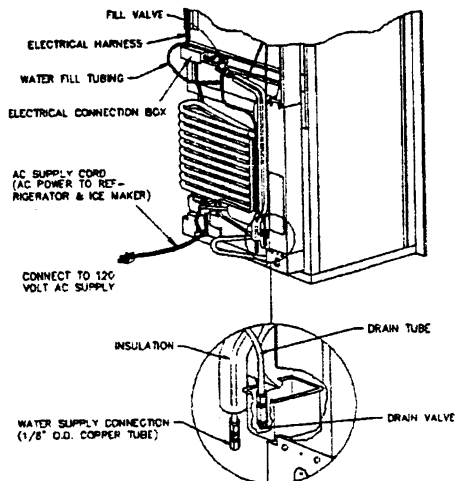
To turn the ice maker off, simply raise the shutoff arm.

### Winterizing

When winterizing, make sure the water line is completely drained by following this procedure.

1. Drain coach water lines. See Sect. 11.
2. Open drain valve at the rear of the refrigerator (on outside of coach).

3. Let the ice maker run through a cycle, then move the shut-off arm up to the manual/off position.
4. Drain water again at the refrigerator drain valve.



Rear of Refrigerator

### Start-Up (Removing from Storage)

1. Close all drain valves.
2. Turn the water supply on.
3. Be sure the ice bin is in place and the automatic shutoff arm is down.
4. Let the refrigerator cool down to ice making temperature. Remember, this can take up to 24 hours.
5. Let the ice maker cycle and dump the first batch of ice.

### Troubleshooting the Ice Maker

1. **Is 110-Volt AC reaching the refrigerator?**
  - A. Ice maker motor needs 110VAC to operate.
  - B. Be sure refrigerator power cord is plugged in.
  - C. Check appropriate breaker on 110VAC breaker panel.

2. **Is 12-Volt DC reaching the refrigerator?**
  - A. Refrigerator eyebrow control and power supply board both need 12VDC to operate.
  - B. Check 12V fuse or breaker on converter panel.
3. **Is water supply pressure at least 15 psi, but no more than 125 psi?**
  - A. If not enough, turn city water faucet open further or check for blockage.
  - B. If too much, attach water pressure regulator.
4. **Is the water supply inlet valve on?**
  - A. Check inlet valve on back side of refrigerator.
5. **Is the freezer compartment temperature 14°F or lower?**
  - A. Turn refrigerator temperature control to colder setting, if needed.
6. **Is the ice maker's automatic shut-off arm in the down (on) position?**
  - A. If arm is not down, ice maker will not operate.
7. **Has it been at least 24 hours since the refrigerator was turned on?**
  - A. If not, allow more time.
  - B. If so, refer to Norcold refrigerator freezer troubleshooting procedures in your dealer service library.
8. **Water not filling molds:**
  - A. Water inlet valve off (on back side of refrigerator)
  - B. Insufficient water pressure
  - C. Water line blockage
  - D. Faulty water solenoid - stuck off
9. **Water over-filling molds:**
  - A. Excessive water pressure
  - B. Faulty water solenoid - stuck on
10. **Water not freezing:**
  - A. Refrigerator problem.

### 11. Ice not ejecting:

- A. 110VAC power not connected
- B. Mold heater not working - replace ice maker
- C. Ejector motor not working - replace ice maker

### 12. Ice bin overflowing:

- A. Shutoff switch broken
- B. Shutoff wire stuck

### 13. Low ice production:

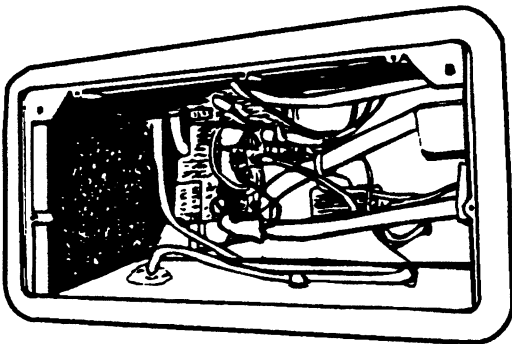
- A. Water not freezing fast enough - refrigerator problem

### 14. Freezer needs defrosting often:

- A. Ice maker motor and mold heater add heat to compartment, which develops frost. This is normal.
- B. Check door gasket for proper sealing.

## REFRIGERATOR COMPARTMENT (Exterior)

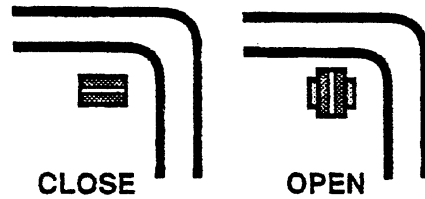
The exterior refrigerator compartment allows access to the rear of the refrigerator for inspection, maintenance and service.



Refrigerator Access Compartment

### To Open:

1. Use a coin to turn the latch knobs to the vertical position as shown.
2. Remove the door from the opening.



Refrigerator Access Door Latches

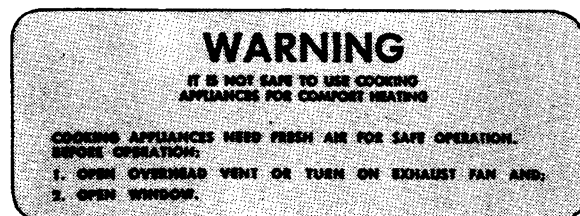
### To Close:

1. Replace the door into the opening.
2. Push the latch knobs in while turning to the horizontal position as shown.

## RANGE AND OVEN (Wedgewood)

The range and oven in your motor home are operated on LP gas and will provide nearly all of the functions that the range in your home does. One benefit of gas burners is that heat is available as soon as a burner is lit, as opposed to an electric element slowly heating up. The range has a "Pilot Off" position on the oven control which allows the oven pilot to be turned off when traveling or refilling the LP tank.

The following warning label has been located in the cooking area to remind you to provide an adequate supply of fresh air for combustion.



Unlike large homes, the oxygen supply inside a recreational vehicle is limited due to its size. To avoid danger of asphyxiation, provide proper ventilation when using the gas rangetop or gas oven. It is especially

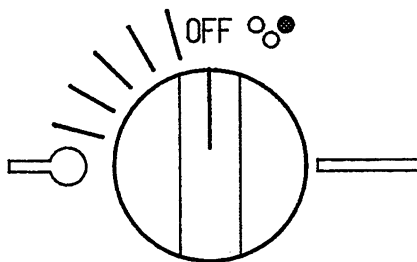
important not to use the gas oven and range top for comfort heating. Danger of asphyxiation is greater when these appliances are used for long periods of time.

## WARNING

Portable fuel-burning equipment, including wood and charcoal grills and stoves, shall not be used inside the recreational vehicle. The use of this equipment inside the recreational vehicle may cause fires or asphyxiation.

### Lighting Top Burners (w/Spark Ignition)

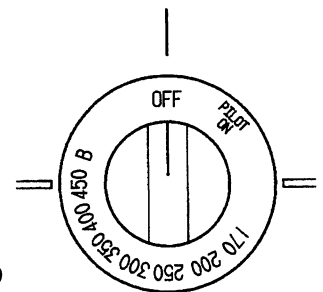
1. Be sure LP gas supply is on.
2. Press and turn desired top burner on (countertop-clockwise).
3. Wait about 5 to 7 seconds, then push red igniter button.



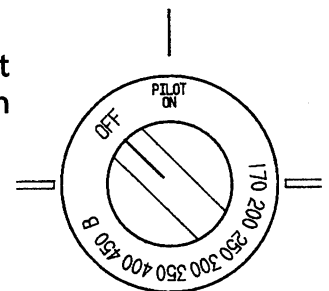
### Lighting Oven Pilot

**NOTE:** If the range and oven have not been used for a long time, the oven pilot may be slow in lighting because of air in the gas line.

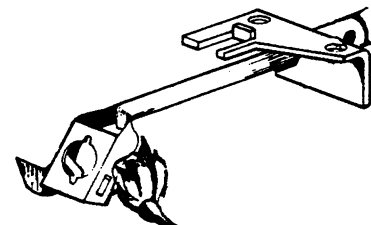
1. Be sure all stove and oven knobs are OFF.
2. Turn on main gas supply to range/oven (LP tank).
3. Push oven knob in and turn counterclockwise to PILOT ON.
4. Light oven pilot at back of oven to left of oven burner.



Oven Control Knob in "OFF" position.



Oven Control Knob in "PILOT ON" position.



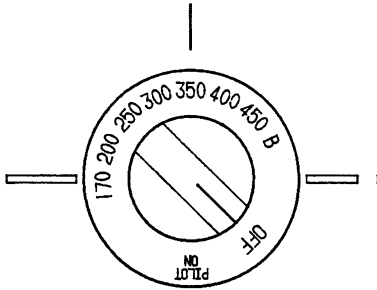
Lighting oven pilot (pilot is located on left side of burner.)

### To Turn Oven Pilot Off

Press oven knob inward and turn to OFF, past PILOT ON position.

### Operating the Oven

Press and turn the oven control knob (counterclockwise) to the desired temperature. The oven will pre-heat in about 10 minutes.



There is a delay of about 30 seconds before the main burner ignites. This is a normal safety feature and there is no gas escaping during this delay. It is also normal for the oven burner flame to cycle off and on at all temperatures except broil.

#### Oven Shut Down Instructions

When oven cooking is finished, turn the oven control knob to the "PILOT ON" position, the oven standby pilot will remain lit.

When the recreational vehicle is not in use or while traveling, turn the oven control knob to "OFF" position and turn off main gas supply; this will turn off the oven pilot.

#### Further Information

See the Wedgewood Range/Oven manufacturer's information in your motor home operations manual binder for more precautions and operating instructions.

#### MICROWAVE OVEN (Optional)

For complete operating instructions, refer to the manufacturer's information provided with the oven.

#### DISHWASHER (Optional)

For complete operating instructions, see the manufacturer's information provided in your motor home operations manual binder.

#### Dishwasher/Microwave Switch (30 Amp. Service Only)

If your coach is equipped with both a microwave and a dishwasher, you cannot operate both of these appliances at the same time.

Because of electrical load requirements, there is a Dishwasher/Microwave Switch that directs current to one appliance or the other.

This switch is located behind the dark glass door above the microwave oven.

If either the dishwasher or microwave do not operate, check the position of this switch before troubleshooting or calling a repair service.

#### WASHER-DRYER (Optional)

For complete operating instructions, see the manufacturer's information provided in your motor home operations manual binder.

#### Washer-Dryer/Microwave Switch (30 Amp. Service Only)

If your coach is equipped with both a microwave and a washer-dryer, you cannot operate both of these appliances at the same time.

Because of electrical load requirements, there is a Washer-Dryer/Microwave Switch that directs current to one appliance or the other.

This switch is located behind the dark glass door above the microwave oven.

If either the washer-dryer or microwave do not operate, check the position of this switch before troubleshooting or calling a repair service.

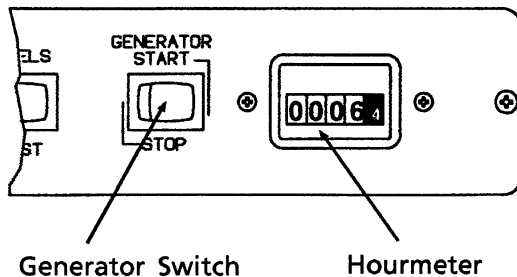


## RANGE HOOD/MONITOR PANEL

The range hood vent allows you to exhaust cooking odors and gas fumes to the outside of the coach and to supplement fresh air ventilation. A light on the underside of the hood provides better illumination for food preparation.

The monitor panel is built into the face of the range hood. It provides central location of switches for the hood fan, hood light, water pump and tank level indicator lights.

The auxiliary electric generator start/stop switch and hourmeter are also located on the panel. See section 6 for generator starting and stopping instructions and operating precautions.



## Hood Fan and Light Switches

To turn on the range hood light, simply press the switch labeled "Hood Light". To operate the range hood fan, push the "Hood Fan" switch toward "High" or "Low" depending on the volume of exhaust desired..

## Generator Start/Stop Switch

See section 6, Electrical Systems for generator start-up and shut-down instructions.

## Generator Hourmeter

See section 6, Electrical Systems for generator hourmeter information.

## Water and Holding Tank Levels

Press and hold the "Levels Test" switch to show approximate level on the monitor lights.

These approximate water levels are measured by electronic probes in the sides of the tanks, so the water must be touching a probe to register at that level. There is generally more water in a tank than indicated on the monitor panel.

For example, if the water is just 1/2" below the FULL probe, the monitor will show the level to be only 2/3 even though the tank is nearly full. If the water level is below the 1/3 probe, the monitor will register an empty tank because the water is no longer touching the 1/3 probe. There may actually be some water left in the tank. However, when the indicator reads FULL, the tank is actually full.

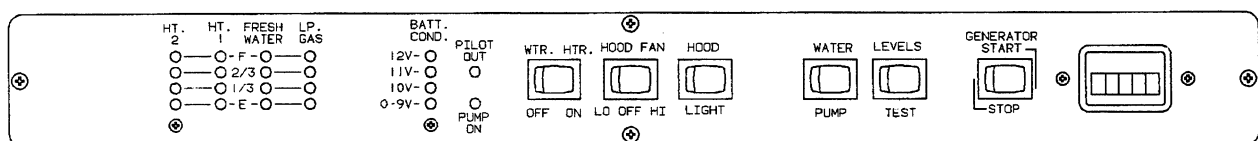
## LP Gas Level

Press and hold the "Levels Test" switch to show approximate LP tank level.

The LP level is registered by a sending unit on the tank. The gauge mounted on the side of the tank will give a more accurate indication of actual tank level if needed.

## Water Pump Switch

When you want to use the self-contained water system, turn on the "Water Pump" switch on the monitor panel. The "Pump On" light



Monitor Panel

will illuminate when the switch is turned on. Water will be available as soon as a faucet is opened.

For your convenience, additional switches are located in the bathroom and in the exterior shower compartment.

### Battery Condition Meter

Push the "Levels Test" button to check the level of charge (voltage) in the 12-volt coach battery. The indicator segments will light from the bottom up to the amount of charge the battery contains.

To get an accurate reading;

1. Both the chassis engine and the auxiliary generator engine must be shut off.
2. An interior light should be turned on to provide a small load which draws off the battery surface charge.

### WATER HEATER

#### Direct Ignition Model GH6-6E

1. Place Water Heater switch in the "On" position. The switch and "Pilot Out" light are located on the range hood monitor panel.
2. If "Pilot Out" light stays on longer than 15 seconds, place switch in "Off" position and wait 5 minutes.
3. Repeat step one.
4. If heater fails to operate due to high water temperature, the heater will go into a lockout condition ("Pilot Out" light on). When water cools, reset by placing switch in "Off" position for at least 30 seconds, then return to "On" position.
5. If a lockout condition persists: contact your dealer, an Atwood Service Station or Atwood Service Department (Phone: 815-877-5700).
6. For complete shut-down before servicing:

- a. Place Water Heater switch in "Off" position.
- b. Remove red wire from left-hand terminal of ECO switch (ECO to valve).

### Water Heater Switch and "Pilot Out" Indicator

Be sure the water heater is filled with water before pressing this switch. To fill the water heater, turn the water pump switch on and open a hot water faucet until water begins to flow.

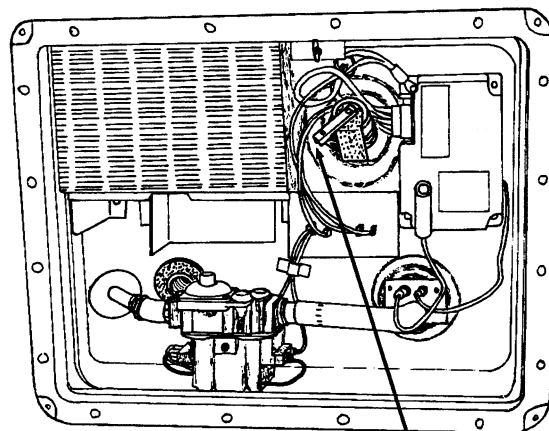
The "Pilot Out" light will glow for about 10-15 seconds after the water heater switch is turned on, then it will go off.

If the "Pilot Out" light comes on during normal operation, it means that the burner has gone into "lockout" mode. Turn the switch off for about 5 minutes, then turn back on.

**Water Heater Capacity: 6 Gal.**

### Pressure-Temperature Relief Valve

On occasion, water may be seen seeping from the water heater pressure temperature relief valve. This is no cause for repair or replacement of the valve.



WATER HEATER  
OUTSIDE ACCESS

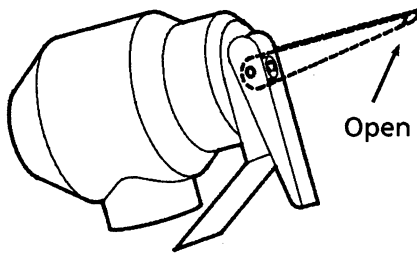
P-T Relief  
Valve

Normally there is an air gap at the top of the water heater tank which acts as a pressure buffer. In time, however, heated water may expand and fill this air gap, causing a slight increase in water pressure. This may cause the P-T valve to "weep" until the air gap is manually replaced.

**OPERATE THIS VALVE ONLY WHEN THE WATER HEATER AND COOLING SYSTEM ARE COLD!**

To Replace the Air Gap:

1. Turn off the water heater switch and incoming water supply (city water and/or demand pump).
2. Open a faucet in the motor home to relieve water pressure.
3. Pull the handle of the P-T valve straight out and allow water to flow until it stops.



P-T VALVE

4. Let the handle of the P-T valve snap shut.
5. Close the faucet and turn on the water supply before switching the water heater on.

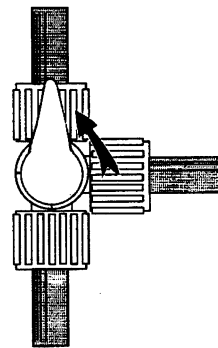
Manually operate the pressure temperature relief valve at least once a year.

### WATER HEATER BY-PASS VALVE

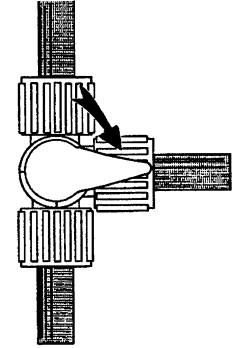
Your coach may be equipped with a water heater by-pass valve for easier winterization of water lines using RV antifreeze.

**Location:** On all models except 34RA, the by-pass valve is located behind the access panel below the refrigerator.

On model 34RA (with side hallway) the by-pass valve is located up on the ceiling of the utility system compartment near the exterior shower assembly.



Normal Flow



By-Pass Mode

### CAUTION

Leave by-pass valve handle in **NORMAL FLOW** position if draining water and blowing out water lines. Place in **BYPASS** position **ONLY** when using antifreeze solution in water lines.

### MOTOR AID (Optional)

The motor aid uses heat from the chassis engine cooling system to heat water in the water heater while driving. Hoses are routed from the engine to a heat exchanger surrounding the water heater tank.

Under normal conditions, the entire contents of the water heater can be heated to about 140°F in about two hours or 100 miles of driving. This means you can have hot water at the faucets immediately upon arriving at a site, or even while driving if needed.

The motor aid also increases the capacity of the engine cooling system,

allowing the engine to run cooler under many conditions.

**CAUTION**

Any leak in the heat exchanger or its supply or return lines could cause loss of coolant and subsequent engine failure. We recommend that you periodically inspect these connecting lines and the heater to insure that no leaks have developed.

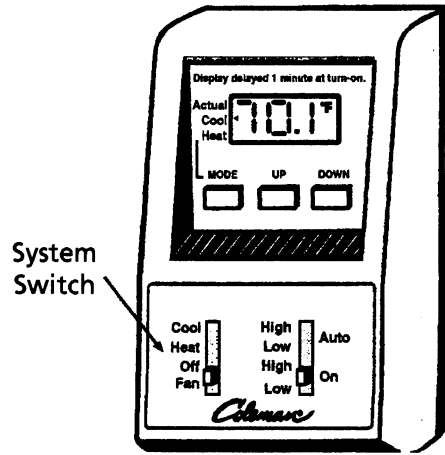
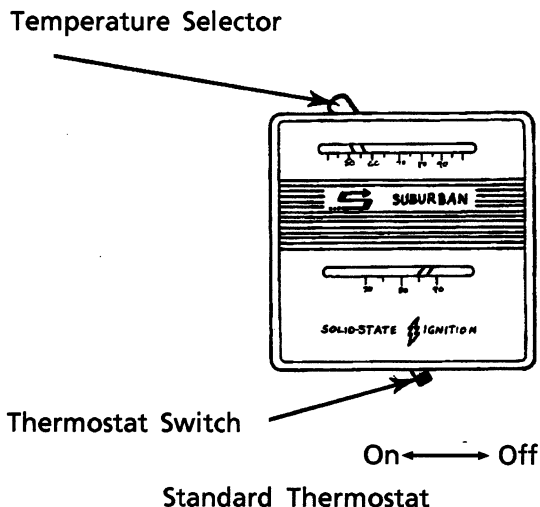
**Motor Aid Water Heater and Rear Auxiliary Heater Maintenance**

Have your authorized dealer check all hose clamp connections on the rear automotive heater and the motor aid water heater at least every six months and tighten them if necessary.

**LP GAS FURNACE (SUBURBAN)**

**To Start Up:**

1. Close the LP gas tank valve.
2. Turn thermostat/system switch on.



Electronic Thermostat

3. Set thermostat above room temperature to begin blower operation. A slight delay will occur before the blower comes on. Allow blower to run for 5 minutes for combustion chamber purge cycle.
4. After 5 minutes, set thermostat below room temperature. Blower will remain on. Wait approximately 2 minutes for blower to go off.
5. Open LP gas tank valve.
6. Set thermostat to desired temperature. If set above room temperature, blower will come on.
7. Allow 30 seconds for main burner to light after blower comes on. This furnace is equipped with an ignition device which automatically lights the burner. Do not try to light the burner by hand.
8. If burner does not light, repeat Steps 1 through 5. (If heat does not come out of the heat duct after a minute or so, the burner is not lit.)
9. If after three (3) attempts with no ignition, go to shut-down and contact your dealer or a local recreational vehicle service center. Do not continue to cycle furnace through thermostat in an attempt to get ignition.

**NOTE:** For normal operation after initial start-up, be sure the thermostat switch is ON, then place the temperature selector to the desired temperature. The furnace will start and cycle on and off automatically.

#### To Shut Down:

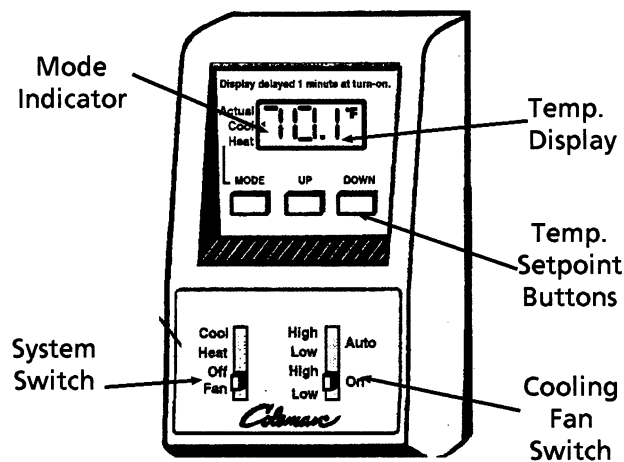
1. Turn thermostat/system switch off.
2. Close LP tank valve.

#### Further Information

Please see the Suburban furnace operating instructions provided in your Owner Information binder for further information, including operating precautions, and periodic maintenance.

#### ELECTRONIC THERMOSTAT (Central Heat/Air Conditioning System Only)

The thermostat, located in the galley area, controls heating, air conditioning and cooling fan features.



Electronic Thermostat  
(Central Air System Only)

**NOTE:** The thermostat does not automatically switch between heating and cooling. You must place the switch in the desired position.

#### Heating:

- Slide the system switch up to "Heat" position.

**NOTE:** Follow proper furnace lighting procedures described previously in this section.

- Adjust the temperature setpoint to personal preference if needed. See "Changing Temperature Setpoints."

#### Cooling (A/C):

- Slide the system switch up to Cool position.
- Slide the Cooling Fan Switch to the desired position.
  - On/Low:** A/C compressor cycles on and off with the thermostat while fan runs continuously at low speed.
  - On/High:** A/C compressor cycles on and off with the thermostat while fan runs continuously at high speed.
  - Auto/Low:** Fan runs at low speed and cycles on and off with the A/C compressor as controlled by the thermostat.
  - Auto/High:** Fan runs at high speed and cycles on and off with the A/C compressor as controlled by the thermostat.
- Adjust the temperature setpoint to personal preference if needed. See "Changing Temperature Setpoints".

#### Fan:

- Slide the system switch down to "Fan" position. The fan will run continuously at high speed and is not controlled by thermostat setting. The display will show current room temperature.

#### Changing Temperature Setpoints:

The thermostat is pre-set to 68°F for heating and 78°F for cooling. You can change these settings up or down to your liking using the MODE switch.

- Press the MODE switch until the small arrowhead on the display appears next to the word Heat or Cool.
- Press either the UP or DOWN button until the display shows the temperature you want.
- Press the MODE button until the arrow appears next to "Actual". The display will indicate current room temperature. your setpoint change is now locked in until the next time power is disconnected for longer than 2 minutes.

### Time Delay

A time-delay feature of this thermostat protects the air conditioner compressors from damage by power cycling on and off such as during brief power outages.

### Power Outages or Disconnections

The thermostat stores two minutes of back-up power to keep the electronic circuitry energized during short power outages or while switching from the generator to shoreline power or vice versa. If power is off for more than two minutes, the thermostat will revert to its preset temperature setpoints and must be reset according to personal needs.

### Further Information

See the Coleman thermostat information sheet supplied in your motor home operations manual binder. This information provides detailed descriptions and operating information.

## CENTRAL AIR CONDITIONER

**NOTE:** See "Electronic Thermostat" for instructions on turning the air conditioner on and changing the thermostat settings.

The central air conditioner is mounted in an exterior compartment on the left (driver) side of the coach. The compartment door opens for easy maintenance and periodic service. (See "Condenser Coils" below.) The cooled air is forced through ducts in the ceiling of the coach. Inside air returns to the air conditioner through a filter system beneath the couch in the living room area of the coach. (See "Air Conditioner Filters" below.)

### Air Conditioner Filter

The disposable furnace-type filter is located beneath the couch. The filter must be inspected and replaced periodically so the air conditioner can operate efficiently.

To remove the filter, simply lift the front end of the filter and slide forward and up. Replace with another filter of the same size - 14" x 20" x 1".

Do not block the filter in any way, such as by setting packages or newspapers, etc., on top of it. There must be free air flow for the air conditioner to operate efficiently.

### Condenser Coils

The condenser is located behind the air conditioner service access panel on the outside of the coach. The condenser is the large, silver, rectangular area that looks like a car radiator.

Periodically sweep debris carefully from the fins of the condenser. Rinse dust off with clean water. The condenser coils must be clean and free of dust, debris and insect particles, etc., for the air conditioner to cool efficiently.

### Further Information

See the air conditioner manufacturer's operating instructions

supplied in your Motor Home Operations Manual binder. They contain detailed operating instructions, special precautions and basic troubleshooting.

See "Electronic Thermostat" for start-up and thermostat setting instructions.

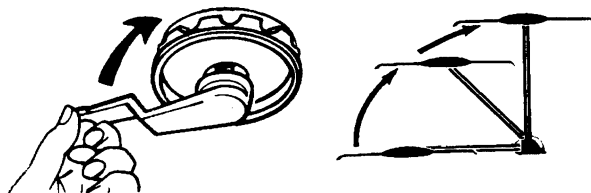
### TV ANTENNA - Optional

The TV antenna on your motor home can be easily raised, rotated a full 360° and lowered from inside the vehicle by simply turning a crank or rotating knob. A built-in signal amplifier designed to strengthen signals, is controlled by a power switch built into the TV jack assembly.

The signal amplifier is housed inside the antenna with the circuit board connected directly to the antenna elements. Power to operate the amplifier (12-volt DC) is supplied through the download cable which also carries the TV signals to the TV set. The power supply separates the 12-volt DC from the TV signals and provides a place for attaching the TV set and the 12-volt power source.

### Operation

**Raising Antenna** - Turn elevating crank clockwise in "UP" direction about 13 turns or until some resistance to turning is noted. Antenna is now in operating position. Turn amplifier power switch "ON" to receive TV signal.



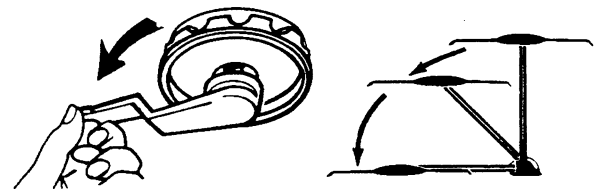
## WARNING

Never allow the antenna to touch electrical power lines or any other electrical wires.

**Rotating Antenna** - Make sure antenna is in the "UP" position. Pull down on rotating knob until it disengages ceiling plate and rotate for best picture and sound on TV set.



**Lowering Antenna to Travel Position** - Rotate antenna until pointer on rotating knob aligns with pointer on ceiling plate.



## CAUTION

Never leave the antenna partially raised or partially lowered. This can damage the crank mechanism gears. Always raise the antenna straight up or lower it completely into the travel position.

Turn elevating crank (counterclockwise) in "DOWN" direction until resistance is noted. Antenna is now locked in travel position. Turn amplifier power switch "OFF".

Count the number of turns needed to crank the antenna down to the roof of the unit (normally about 13). Mark the final position of the crank

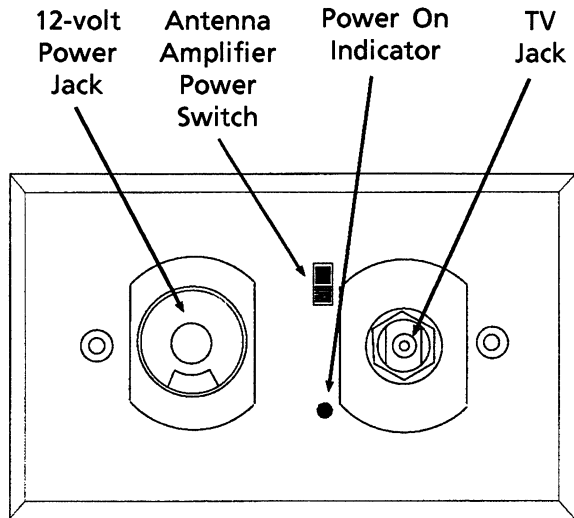
handle on the ceiling or the directional knob for reference. Also mark the number of turns needed. Use the mark and number as a reference whenever you lower the antenna.

### CAUTION

Always align directional handle to "DOWN" position before lowering.

### Signal Amplifier

To operate amplifier, turn on power switch.



The TV jack plates are mounted in various locations throughout the coach. Some of these wall plates are not readily visible and may be in one of the following locations:

- In front overhead cabinet
- In the optional entertainment center on the outside of the coach.
- behind the optional rear bedroom TV.

### Checking Amplifier Performance

The TV signals available to an RV are entirely dependent on its location in relation to the transmitter. Signals may vary from strong to no usable signal at all. We recommend that the

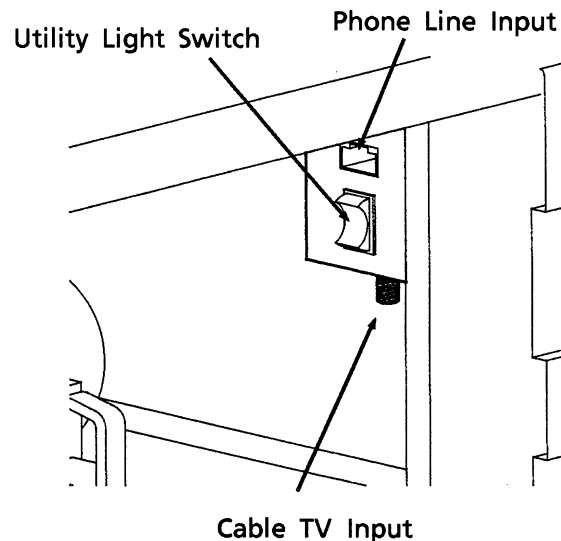
TV system be checked out in an area known to have good TV reception.

To check the antenna amplifier, raise the antenna, select a TV channel and rotate the antenna for best picture. Then turn off the amplifier power switch. If the antenna amplifier is working properly, the TV picture will now be degraded (snowy). When you turn the switch back on, the picture should again be sharp.

### CABLE TV HOOK-UP (Input)

Some models are equipped with external connections for cable television. The connector is located in the utility system compartment on the left side of the coach.

**NOTE:** For coaches without the video control center option, be sure the TV antenna amplifier switch is turned OFF while connected to cable. The antenna amplifier will make the cable TV signal snowy.

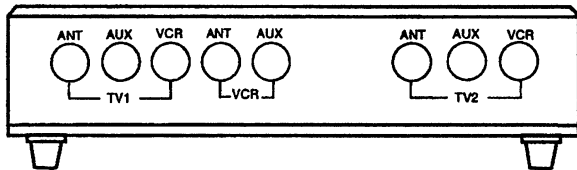


### VIDEO CONTROL CENTER - Optional

The optional video control center allows you to switch the antenna, cable TV or VCR signal to any TV set location in the coach.



This means one person can watch a ball game coming in on the roof antenna on the bedroom TV while another person watches a cable TV program or a video tape on the VCR on the front TV. Also, two people can watch different programs on the two TV's while taping a third program on the VCR.



**Components:**

- TV1 = Front TV
- TV2 = Bedroom TV
- VCR = Videocassette Recorder

**Signal Inputs:**

- ANT - Press to connect selected TV or VCR to the roof antenna.
- AUX - Press to connect selected TV or VCR to cable TV input.
- VCR - Press to connect selected TV to the videocassette recorder/player.

**DC-AC ELECTRICAL VOLTAGE INVERTER - Optional**

The voltage inverter changes 12 volt DC current into 110 volt AC current to operate your TV and VCR while traveling or when shoreline hookup is not available.

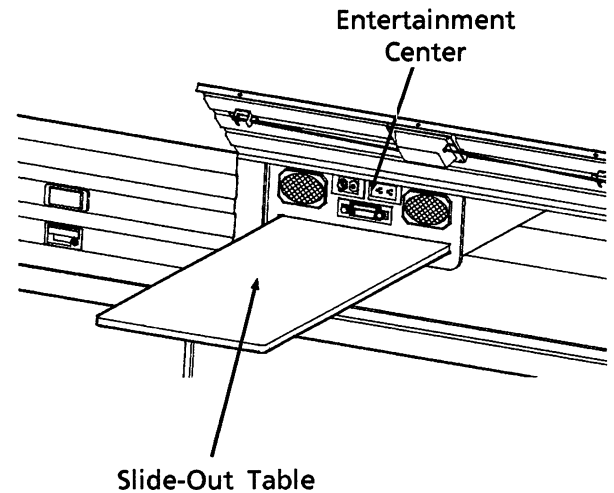
- The inverter must be switched on to operate.
- Turn the inverter off when not in use to avoid draining the coach or automotive batteries.

**EXTERIOR ENTERTAINMENT CENTER - Optional**

The exterior entertainment center contains a stereo radio/cassette player and convenient TV hook-ups for your

outside listening or viewing pleasure.

This feature also includes a slide-out dining table. After the leg has been extended and locked, the table may be slid in or out to the desired length. The tip of the leg is adjustable to accommodate uneven ground.



**CENTRAL VACUUM CLEANER - Optional**

The central vacuum cleaner system is located in the wardrobe cabinet.

**To Use The Vacuum:** Plug the hose into the hose outlet. The vacuum cleaner will start automatically. When you remove the hose, the vacuum will stop.

**To Change Filter Bags:** Open access door or bottom drawer and pull the cover from the square metal canister.

**If The Vacuum Will Not Start:** Check for a tripped circuit breaker. Also be sure that the vacuum unit is plugged into the electrical outlet beneath.

**SLEEPING FACILITIES**

<b>WARNING</b>
Do not use sleeping facilities while vehicle is moving.

### COUCH-BED CONVERSION

#### To Convert Couch to Bed:

Pull the front edge of the couch seat upward and outward from the wall while gently pushing downward on the backrest until the cushions lie flat. The bed is now ready for use.

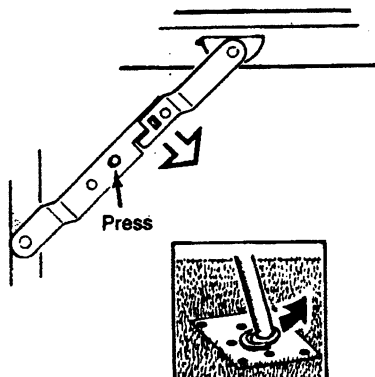
#### To Revert to Couch:

Push the front edge of the seat toward the wall while lifting upward on the backrest until the couch is fully seated against the wall.

### DINETTE/BED CONVERSION

#### To Convert Dinette to Bed:

1. Release the catch on the table leg brace and fold the leg up against the bottom of the table.



2. Remove the table from the wall support bracket by lifting the end of the table. Then lower the table to rest on the cleats attached to each dinette bench.
3. Arrange dinette cushions to cover bed area.

#### To Revert to Dinette:

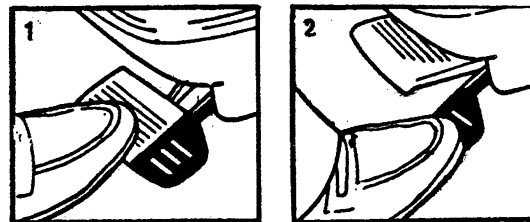
1. Replace table onto the wall support and lower the table leg.
2. Make sure that the table leg is secured into the floor support bracket and the leg brace is locked.

### FRESH WATER TOILET

The fresh water toilet in your motor home is very similar to the household type, except that it is designed to use only a small amount of water per flush. It uses a high velocity jet of water, producing a swirl effect, to efficiently cleanse the bowl. And since each flush uses fresh water, no special chemicals are required other than a deodorizing agent, if necessary.

#### Thetford Toilet

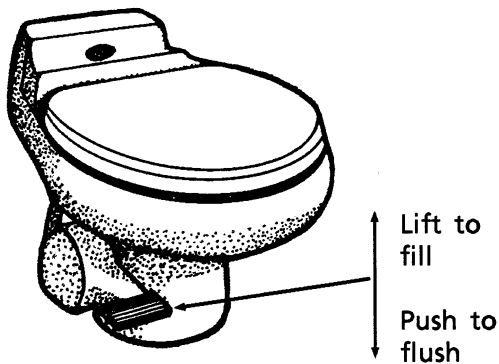
1. Press the large (left) pedal and hold until bowl is clean. Release pedal slowly. A small amount of water will remain in the bowl.
2. To add more water to the bowl than the normal 2" automatic refill, press the small (right) pedal and hold until desired amount has been added. Release pedal slowly.



Please refer to the manufacturer's information supplied with the toilet for further operating and maintenance instructions.

#### Sealand Porcelain Toilet - Optional

1. To add water to the toilet before using, lift the flush lever until the desired water level is reached. Generally, more water is required only when flushing solids.



2. To flush the toilet, push the lever all the way down until sewage leaves the toilet and bowl is rinsed clean.
3. Release the flush lever. A small amount of water should remain in the bowl.

Please refer to the manufacturer's information supplied with the toilet for further operating and maintenance instructions.

#### Important "Don'ts"

- Don't use facial tissue or regular toilet tissue in the RV toilet. These will not disintegrate sufficiently and will often cling to the sides of the holding tank. Toilet tissue made specifically for use in RV toilets and holding tanks is available at most RV supply centers.
- Don't dispose of sanitary napkins or other non-dissolving items in the toilet.
- Don't put automotive antifreeze or caustic chemicals, such as laundry bleach or heavy detergents into the toilet or holding tank. These products may damage plastic or rubber parts in the system.

#### Cleaning the Toilet

The toilet should be cleaned

regularly for maximum sanitation and operating efficiency. If an odor is apparent from the toilet:

1. Clean the toilet bowl with a mild bathroom cleaner. Do not allow cleaners to set in the bowl for long periods of time to avoid damaging the seals. Do not use caustic or abrasive cleaners in the Thetford toilet since it may damage the plastic surfaces.
2. Dump and rinse holding tank.
3. Add odor control chemical in amount specified after cleaning and every few days during use.
4. Remove the water line from the base of the toilet and clean the screen.
5. If the flush valve becomes stiff after extended use, it may be lubricated with a silicone spray. Turn the water pump off and operate flush pedal to drain water from the toilet bowl. Spray silicone lubricant onto flush valve inside bowl and operate flush pedal a few times to ensure free operation.

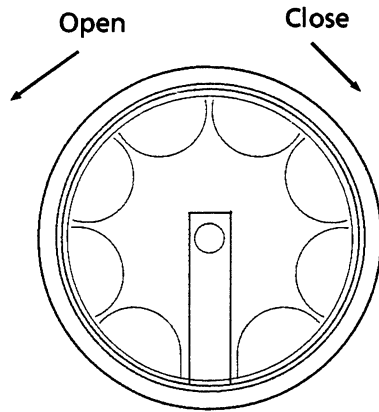
See instructions in Section 11 to prepare the toilet for storage in freezing conditions.

#### POWER ROOF VENT - Bath Area

Some models are optionally equipped with a powered roof vent in the bath area. A push button switch for the vent fan is located up on the vent. The vent dome can be raised and lowered using the crank handle.

#### CRANK-OUT SIDE WINDOWS

Turn the crank-out knob clockwise to open window; counter-clockwise to close. Do not use excessive force on the knob to open or lock into closed position. This could cause permanent damage to the crank mechanism.



If the window will not open after three or more full turns of the knob, the glass may be stuck to the sealing gasket. Go to the outside of the coach and **gently** free the glass with your fingers. A periodic light dusting of talcum powder on the gasket should prevent this from recurring.

#### **SLIDER WINDOWS**

Lift the latch handle straight out from the window. Grasp the sliding window edge frame and slide the window to the side. Be sure the latch is raised before trying to slide the window closed.

# SECTION 9

## CARE & MAINTENANCE

---

<b>CAUTION</b>
----------------

Sealants must be inspected every 6 months and resealed if necessary.
--

### ROOF

The roof is made of Thermo-Panel materials like the walls and floor. It will support the weight of an average adult should it become necessary to repair the roof or roof mounted components. It is not recommended, however, that very large or heavy objects be carried on the roof while the vehicle is in motion. (See page 4-1 for roof loading specifications.) Always have damage to the roof area repaired immediately. Damaged or detached sealant around the vents, air conditioner, body-to-roof seams, etc., should also receive immediate attention. Delaying these repairs may allow water leakage and result in damage to interior ceiling and body panels, upholstery, etc.

### UNDERBODY

Buildup of mud and dirt under the body can cause damaging rust on steel parts and can add needless weight to the vehicle. This, in effect, reduces the amount of cargo you can carry and remain within GVWR and GAWR limits.

Corrosive materials, such as those used for ice and snow removal and dust control, also accumulate on the underside of a vehicle. These materials should be removed by flushing the underbody regularly with water, especially areas where mud and other foreign materials collect.

### EXTERIOR

The exterior surface of your motor home has an automotive finish. Frequent washing and thorough cleaning is recommended to prevent damage to the vehicle finish after exposure to damaging salts, calcium chloride, road tar, tree sap, insects and other foreign material. Never wash the vehicle in direct sunlight, while the vehicle surface is hot, or using hot water.

Do not use strong soaps or detergents for washing the motor home. Always use a mild soap in warm water, a commercially prepared product for cleaning automotive finishes or your local car wash. Be careful when using pressure-type washers to avoid loosening exterior decals or sealants, etc.

After washing the motor home, carefully inspect caulking around window frames and vents and any other joints that may have separated. Recaulking, if necessary, is quite simple. Appropriate compounds are sold at Winnebago and Itasca dealers, and the materials are quickly and easily applied. Also, inspect weather seals around door, etc., and if necessary have a dealer replace them immediately.

<b>CAUTION</b>
----------------

Never use a strong solvent such as lacquer thinner, or harsh abrasives on painted surfaces.
---

### Waxing and Polishing

When water will not bead up and roll off the finish of your freshly washed vehicle, it's time to apply a new coat of hard wax (paste, not

liquid) to the finish. Wax not only improves the appearance of the vehicle, but protects the finish against oxidation and corrosive substances.

We recommend using a wax that is compatible with painted and gel-coated fiberglass finishes.

If the finish begins to look dull or discolored, it may need to be cleaned with a polishing or cleaning compound.

**NOTE:** *If you use a polish or cleaning compound that does not contain a wax preservative, we recommend reapplying a coat of hard wax after cleaning or polishing the finish.*

### COMPARTMENT DOORS

Apply powdered graphite lubricant to compartment door latches periodically as necessary to keep latches operating smoothly.

If rubber door seals should become sticky, making the door hard to open, apply a rubber protectant such as 303™, Armor-All™, Son-of-a-Gun™, etc.

### CARE OF STRIPES AND DECALS

The pressure-sensitive decals on your coach require very little maintenance. They should be treated like any painted surface on your vehicle. Here are a few helpful hints on caring for decals:

- Wash decals with plain soap and water or any retail car wash soap. Always rinse thoroughly.
- Keep high-pressure wash nozzles at least 1 1/2 feet from edge of decals. High pressure water spray may cause edge lifting of decals.
- Test any cleaning solution on a small section of decal before using.
- Do Not use any aromatic solvents such as acetone, MEK, toluene,

xylylene, etc., on decals. Any solvent including alcohol may soften or smear colors.

- Do Not use lacquer thinner or paint on decals. Do Not overcoat decals with clear paint.
- Do Not let gasoline or other fuels drip and stay on decals for any length of time. Rinse immediately with water.

### UPHOLSTERY, CARPETING AND DRAPERIES

We recommend a weekly routine of vacuuming all fabrics and carpet throughout the motor home to prevent an accumulation of dirt which can detract from the appearance and shorten the life of carpet and fabrics.

#### Carpets

See the carpet manufacturer's Carpet Care Guide in your Motor Home Operations Manual binder. It includes detailed information on cleaning soils and removing stains from the fine carpet in your coach.

#### Upholstery

Some fabrics used in this motor home may contain fire retardant and lightfastness additives which can be damaged by use of improper cleaning products. Some water-based household cleaning products are not formulated for use on fabrics and may cause excessive shrinkage or fading. Always test any cleaning product on a hidden area of fabric before using on visible areas. For best results, fabric cleaning should be referred to a professional carpet and upholstery cleaner.

**NOTE:** *To minimize fading of upholstery, carpets and other interior fabrics caused by excessive sunlight, the drapes, blinds or shades should be*

*closed when the motor home is parked for an extended period of time.*

## WARNING

When cleaning upholstery, carpet and fabric, do not use lacquer thinner, acetone-based nail polish remover, laundry soaps, or bleach. Never use carbon tetrachloride, gasoline, or naphtha for any cleaning purpose. These materials may cause damage to the material being cleaned and most are highly flammable.

### Spots and Stains

Spots or stains should be treated as soon as possible before they "set in" to avoid permanent damage. Always start from the outside of a spot or stain and work inward to avoid spreading it. Use a clean cloth or sponge and turn frequently to an unused area of the cloth or sponge as you clean.

Some stains or soils, such as lipstick, ink, grease or mustard, are extremely difficult or impossible to remove completely and should receive immediate attention. Consult a professional carpet and upholstery cleaner for assistance.

### Vinyl Fabrics

Vinyl should be cleaned with a soft, damp cloth and a mild detergent only. Do not use solvents. Solvents may damage the surface of the vinyl.

### Draperies, Curtains and Bedspreads

These items may be woven from a variety of fabrics and may contain fire retardant additives which may cause damage when machine washed. We recommend that these be professionally dry cleaned only. A five

percent shrinkage may occur when you have these items dry cleaned.

### CABINETRY

Wooden surfaces have a high gloss laquer finish which may be cleaned with a soft cloth and a quality wood finish cleaning product such as Guardsman™, etc.

Vinyl simulated wood (Plus-Wood) panels may be cleaned with a mild, water based cleaner and a soft cloth. Do not use solvents on vinyl wood panels.

*NOTE: Many cabinetry and furniture items throughout this motor home are constructed either partially or completely of real hardwoods. Because of natural variations in woodgrain density, slight differences in stain hue may exist between one item and another. This is the distinctive character and beauty of real wood.*

### TABLES AND COUNTERTOPS

Work surfaces are covered with a plastic laminate that resists solvents, stains and abrasions. A coat of furniture wax applied to these surfaces on the counters and table will help preserve their beauty and make cleaning easier. Always clean the surface before applying wax.

### VINYL WALLBOARD

Decorative vinyl covered wallboards may be cleaned with a mild solution of water and isopropyl (rubbing) alcohol or a mild soap solution. Do not use solvents or abrasive cleaning products.

### FLOORING - WOOD PLANK

The wooden plank flooring in the galley area is finished with a durable, polyurethane coating. To keep it clean,

sweep or vacuum regularly. Buff with a soft bristle brush periodically to renew the shine. Never damp mop. Wipe spills immediately with a dry cloth.

### STAINLESS STEEL SINK

The stainless steel sink can be cleaned with soap or detergent. Rinse thoroughly with warm water and wipe dry to avoid streaks.

Use a mild abrasive for stubborn stains. Work in the direction of the polish lines. To keep the original finish, polish with a wax cleaner and rub with a dry soft cloth.

## WARNING

Salt, mustard and mayonnaise may cause pitting. If spilled, clean immediately.

### RANGE AND REFRIGERATOR

For care and appearance maintenance of the range and refrigerator, refer to the operation and maintenance manual for each of the individual appliances included in your Motor Home Operation Manual binder.

### BATHROOM

The tub and shower walls in the bathroom should be cleaned with a mild soap and water solution, or (to obtain maximum luster) use a good quality wax cleaner. Do not use an abrasive cleaner on the shower walls and tub. If the shower has a plexiglass door, it is extremely important that abrasives not be used. Solvents and aromatic spirits that contain a petroleum base or additive should also not be used. These products can cause a reaction with the glass that results

in visible deterioration marks. Use only a mild detergent and water solution with a soft cloth to clean Plexiglass surfaces.

The bathroom lavatory is also a molded plastic material and should be cleaned with a mild soap and water solution. Abrasive cleaners or harsh detergents should not be used.

For instructions on the care of your fresh water toilet, refer to the information in your Motor Home Operation Manual binder.

### DOORS AND WINDOWS

Windows may be periodically cleaned with a good quality glass cleaner or mild soap solution using a soft cloth. Use care when removing ice or frost from the windows. Always use a plastic ice scraper, never one made of metal. Use care when removing ice from the mirrors to protect the reflective surfaces.

Door locks and hinges should be lubricated periodically with powdered graphite to ensure trouble-free operation and to protect against freeze-up.

### PLEATED WINDOW SHADE ADJUSTMENT

Pleated shades will lose their shape if left in a lowered position for an extended period of time. If a pleated shade loses its shape, the pleats can be restored using this method.

- With the shade fully lowered, dampen the shade thoroughly with a good quality laundry spray starch
- Raise the shade fully and let it remain raised for about 24 hours, until the starch has dried and "set".
- Reapply starch periodically (every few months) as needed.



We recommend that you fully raise pleated shades when they are not in use, especially in warm environments, to prevent them from losing their shape.

### VEHICLE MAINTENANCE

(See also Safety Precautions, Section 1 of this manual).

### CHASSIS SERVICE & MAINTENANCE

Consult the appropriate sections in your chassis operating guide for specific information regarding operating safety, service recommendations and maintenance schedules for the chassis section of your motor home.

### ENGINE ACCESS - Chevy & Ford Chassis

#### Hood

Insert the tamper-resistant hood key into the hood locks and turn them to the right (clockwise) to unlock the hood.

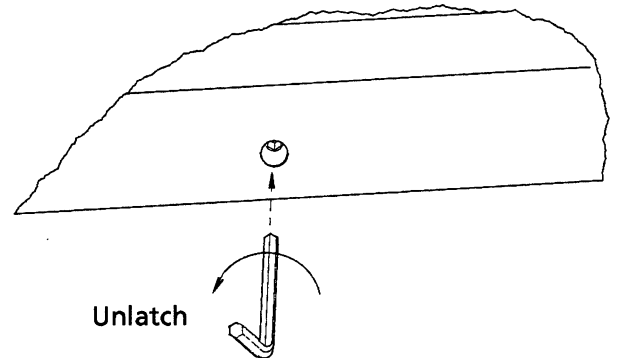
Swing the hood outward and down. Do not let hood drop.

To close the hood, lift and swing inward. Turn key locks to the left (counterclockwise) to lock hood closed.

With the hood open, the engine oil dipstick, transmission dipstick, oil fill, radiator fill, power steering reservoir and windshield washer reservoir are accessible.

#### Engine Cover

- Insert the supplied hex wrench into the hole in the lower rear edge of the engine cover.



- Turn the hex wrench to the left (counterclockwise) to unlatch.
- Lift the rear end of the cover upward and pull the cover from the opening.
- To return the cover, position the front end of the cover first, then lower the rear end. It is important to be sure the front edge is pushed completely forward to the radiator cover to ensure an air-tight seal.
- Press the rear end of the cover down and turn the hex wrench to the right (clockwise) until the latch pulls the cover downward and stops.

Removal of the engine cover allows service access to the engine air cleaner and other engine parts.

### ENGINE ACCESS - Freightliner & Spartan Diesel Chassis

#### Rear Engine Grille

The diesel engine is located behind the grille at the back of the vehicle. With the service panel open, you can access the following service points:

- Engine Oil Dipstick ("Add" = 2 qts. low)
- Engine Oil Fill Cap
- Power Steering Reservoir
- Radiator Cap
- Engine Coolant Overflow Bottle
- Transmission Dipstick/Fill Tube
- Air Filter Restriction Indicator

Unlatch the service panel and swing it upward.

### Engine Top Cover

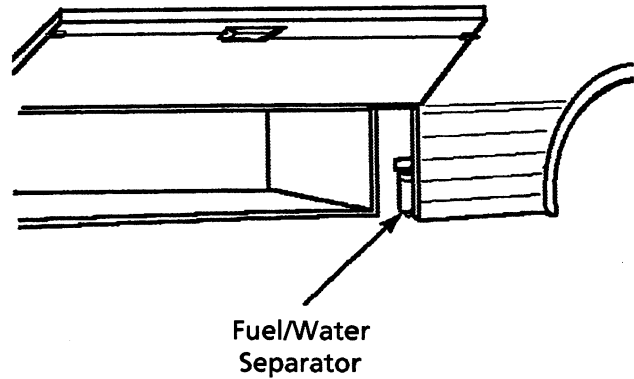
The engine top cover is located beneath the rear bed. This cover is only removed for replacement of engine parts or if a complete view of the engine is needed for inspection. To do this, remove the mattress from the bed and lift the hinged bed board upward. Support the bed board with a suitable prop rod while accessing engine.

Routine engine inspection can be performed (with protective clothing) under the left rear side of the vehicle, between the luggage compartment and engine exhaust muffler.

### Fuel/Water Separator (Diesel)

Diesel fuel often contains small quantities of water which can damage the engine if not filtered out. The fuel/water separator traps this water and prevents it from reaching the engine. The harmful water deposits must be drained from the separator canister during normal periodic service and maintenance to keep the fuel filtration system working effectively.

The fuel/water separator is located beneath the sidewall behind the rear wheels on the right (passenger) side of the coach. Open the right rear luggage compartment and look towards front end of the opening.



Place an appropriate container beneath the outlet and screw the water release valve open several turns. Drain any water deposits from the canister until clean diesel fuel flows from the valve. Dispose of drained fuel in an environmentally safe manner. Close valve by hand. Do not over tighten.

### ENGINE COOLING SYSTEM

Refer to your chassis operating guide for information and precautions on filling, servicing and checking the fluid level.

#### CAUTION

When refilling the coolant system of a vehicle equipped with a rear auxiliary automotive heater and motoraid water heater, be sure to allow for additional coolant capacity of the heater and its supply and return hoses.

### TIRES

Low air pressure results in tire overloading and abnormal wear and also affects handling and fuel economy. Obtain proper inflation pressures from your chassis operating guide or tire manufacturer.

**WARNING**

Make sure all replacement tires are of the same size and ply rating as those installed as original equipment. See the Vehicle Certification Label affixed to the driver's door for tire information.

**SUSPENSION ALIGNMENT AND TIRE BALANCE**

The front suspension and steering system of this vehicle was factory aligned using highly accurate equipment prior to delivery to the dealership. However, we recommend that alignment be checked and adjusted, if necessary, after you have fully loaded the motor home according to your personal needs. Thereafter, the alignment should be periodically inspected to help prevent uneven tire wear.

Any excessive or abnormal tire wear may indicate worn or misaligned suspension or steering, unbalanced tire or other tire/suspension problem.

Alignment can be affected by worn steering/suspension parts or by incidents which happen during driving, such as hitting a curb, pothole or railroad track, etc. Improper alignment can cause tires to roll at an angle and wear unevenly. It may also cause the vehicle to "pull" to the right or left. Have your dealer inspect your vehicle's suspension and steering components periodically for misalignment or wear.

Out-of-balance tires will not roll smoothly and can lead to annoying vibrations and uneven tread wear such as cupping and flat spots. Tires may need to be balanced if uneven wear is detected or if ride comfort decreases noticeably.

See your chassis operating guide for further information.

**REAR TAG AXLE INFORMATION  
(Model 37RW only)**

This model is equipped with air suspension tag axle that is connected to the drive axle air suspension system. The tag axle air spring on each side is linked to its corresponding drive axle spring to provide transfer of air for proper weight distribution. If an uneven surface is encountered, air will transfer from the spring at the top of the bump to the spring in the dip to maintain proper ride height. The springs on the left side are independent from those on the right side, however, to provide lateral stability.

Vehicle ride height is regulated by one mechanical air valve per side. If the vehicle is elevated from the axle (such as by a leveling jack system) the valve will release air from the air springs. When the body is lowered (when jacks are retracted) the air springs will be refilled and the suspension system will return to its set ride height.

**In Case of Temporary Traction Loss  
(Coaches equipped with Park & Level)**

In case of temporary traction loss, raise the rear of the coach with the Park & Level system to transfer a greater amount of weight to the drive axle. If this procedure does not restore adequate traction, towing assistance may be required.

*NOTE: If the distance from the drive wheels to the drive surface is beyond the adjustment capability of the system, towing assistance may be required.*

**Compressor Operation**

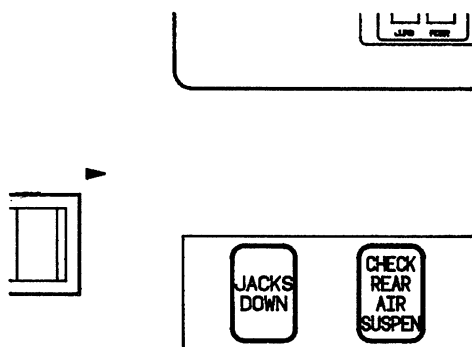
The compressor, will operate periodically to maintain pressure in the

air reserve tank.

**NOTE:** *If the air springs have been completely drained of air, the refilling process can take some time; up to fifteen or twenty minutes in some cases. This can happen after long storage periods or after the rear of the coach has been raised using the optional hydraulic leveling system.*

### CAUTION

The air suspension warning light, located on the instrument panel, will illuminate if a failure should occur in the tag axle/rear suspension system. If this should occur while driving, the vehicle may be carefully driven to the nearest Winnebago or Itasca dealer or a qualified truck air suspension service center. Although this condition does not totally disable the vehicle, it will cause less than satisfactory ride characteristics and should be serviced as soon as possible to restore proper performance.

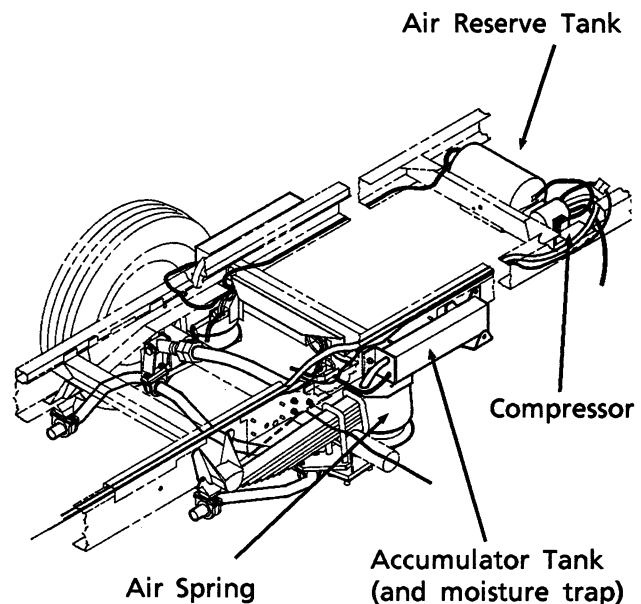


Air Suspension Warning Light

### Periodic Maintenance

There are very few items on this suspension system that require periodic maintenance. Here is a simple maintenance suggestion:

- Purge moisture from air reserve and accumulator tanks before freezing temperatures and/or vehicle storage. To do this, briefly turn the drain valve at the bottom of each tank 90° to expel any water. Open the accumulator tank valves for only 1 or 2 seconds at a time because the coach will settle as this is being done. Purging is complete when you notice no more water spraying from the drains.
- Periodically inspect air hoses for abrasions or other conditions which result in air leaks.



### System Fuse

If the Jet Air Ride system fails to operate, check the 30A plug-in fuse located on automotive circuit breaker/fuse panel in the engine compartment.

### Lubrication and Maintenance

The tag axle wheel bearings need periodic maintenance and lubrication at the same service intervals as the front wheel bearings on your coach.

Service is required at more frequent intervals under severe operating conditions. See your Chevy or Ford chassis operator/maintenance guide for recommended maintenance and service intervals.

**CAUTION**

Failure to correctly maintain proper lubrication in the bearings may result in bearing damage, which could cause the wheel to seize or become detached during operation.

**WINDSHIELD WASHERS AND WIPERS**

See your chassis operating guide for recommendations, precautions and replacement information on washers and wipers.

**LIGHTS**

All exterior lights should be checked for proper operation each time the vehicle is prepared for a trip. Any bulbs which fail to light should be checked and replaced, when necessary, with a new bulb of the same size. A failure of more than one light, such as both taillights not operating, may indicate a burned out fuse. Check fuse and replace with one of the same rating when necessary. If a fuse is not the cause of the problem, the wiring system should be checked immediately by an authorized service center.

The headlight circuit is protected by a circuit breaker. An overload on the breaker will cause the lights to flicker on and off. Headlight wiring should be checked immediately anytime this condition is apparent. Refer to your chassis operating guide for further information.

**AUTOMOTIVE 12-VOLT FUSES AND CIRCUIT BREAKERS**

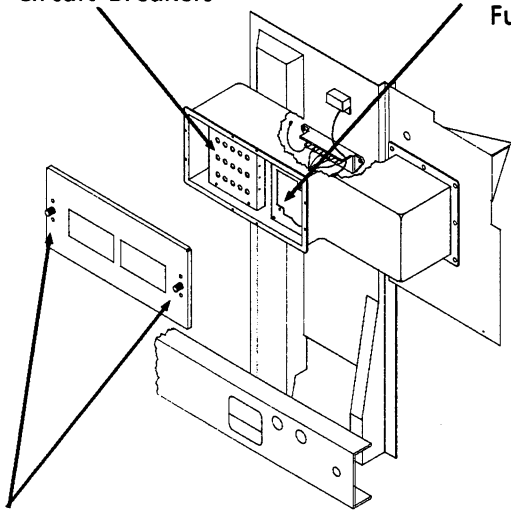
The automotive electrical circuits are protected from short circuits and overloads by a circuit breaker panel and a fuse block located on the driver's side of the firewall in the engine compartment.

The circuit breakers will pop outward if they are tripped. Simply push in to reset.

Always replace plug-in type fuses with those of the same amperage size.

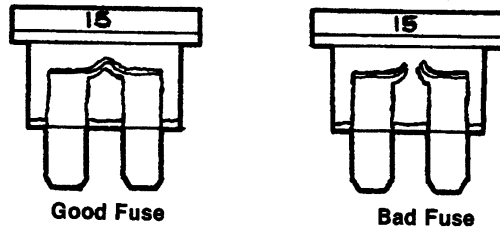
12-Volt Chassis  
Circuit Breakers

12-Volt  
Chassis  
Fuses



Twist to  
Open/Close  
Cover

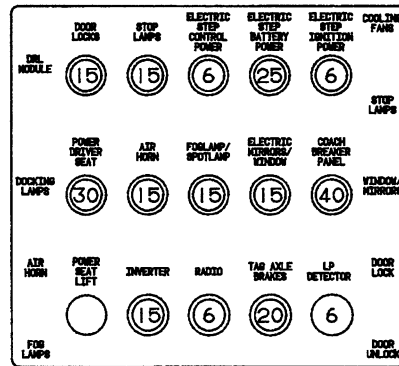
Automotive Circuit Breaker Panel  
(Behind Hood Panel)



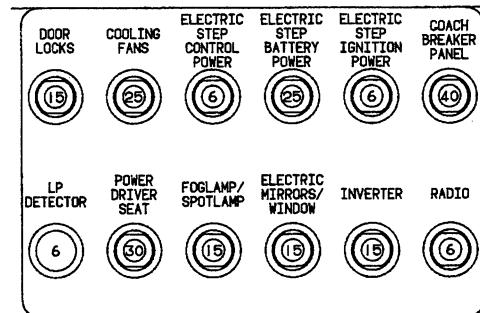
Good Fuse

Bad Fuse

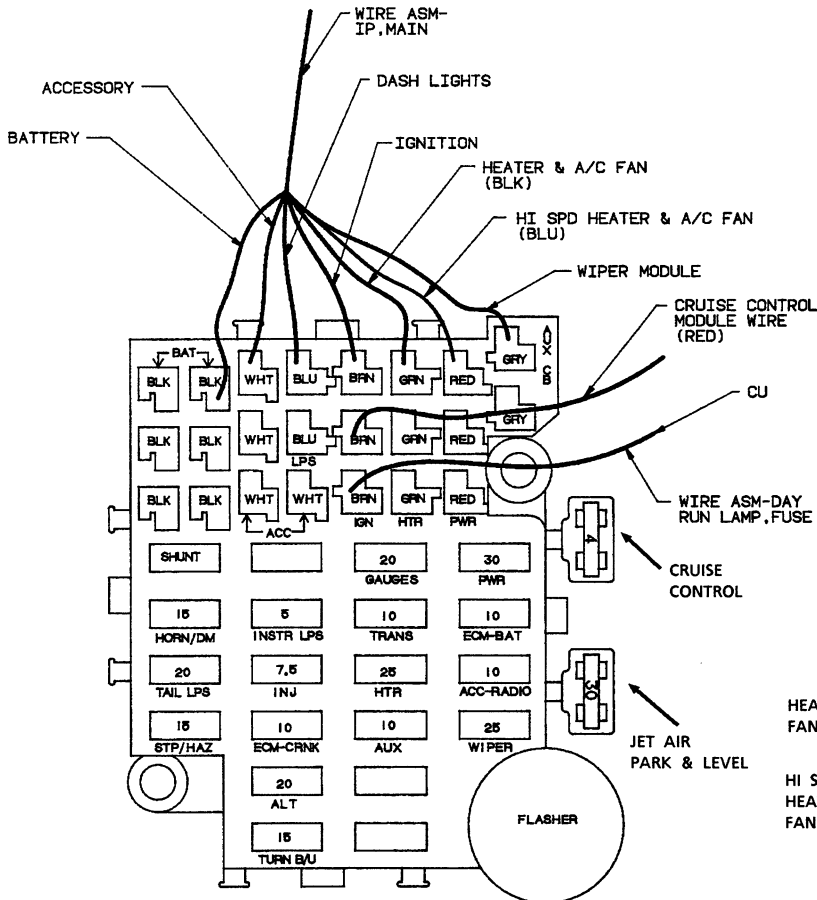
PLUG-IN FUSES



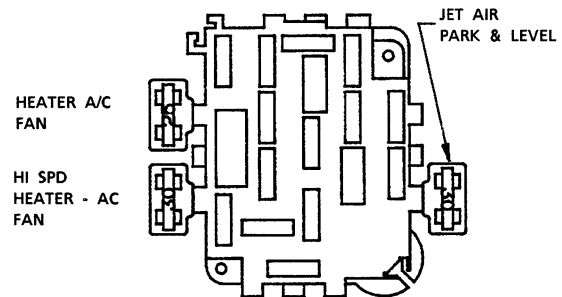
12-Volt Circuit Breakers  
Chevy & Ford



12-Volt Circuit Breakers  
Spartan



Automotive Fuse Block  
Chevy\*



Automotive Fuse Block  
Ford\*

\*See your chassis guide for further information on fuse replacement.

# SECTION 10

## STORING YOUR MOTOR HOME

### PREPARING VEHICLE FOR STORAGE

Properly preparing your vehicle for storage will lessen the possibility of damage to your vehicle. Prepare the motor home for vacancy just as you would if you were leaving your house for an extended period:

- Remove all perishables from cabinets and refrigerator.
- Prop refrigerator door open.
- Turn off LP gas tank.
- Drain water heater, water tank and holding tanks.
- Close shades to protect upholstery from sunlight

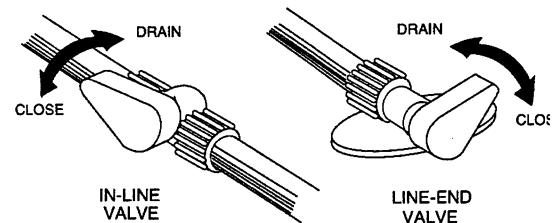
When storing your vehicle through the winter, or in cold climates, extra preparations need to be made to protect systems that can be damaged by freezing temperatures.

### Cold Weather Storage Procedure (Winterizing)

1. Clean and dump holding tanks by following steps A, B, and C.
  - A. Add water to the sewage holding tank by holding the toilet flush lever open with the water pump running. Add water to the waste water holding tanks by opening the kitchen, shower and lavatory faucets. Tanks should be about 1/4 to 1/3 full to rinse properly. Driving to a disposal site will normally loosen and rinse any waste material from the sides of the tanks.
  - B. Completely drain the sewage and waste water holding tanks at an approved waste disposal site. Drain the sewage tank first so the following waste water can rinse any waste solids from

the dump outlet and sewer hose.

- C. Close dump valves and refit the dust cap onto the drain outlet.
2. Level the motor home and drain the entire plumbing system as described in the following steps.
  3. Open all drain valves including exterior shower head. (See water system drain valve locations on pages 7-8 and 7-9.)

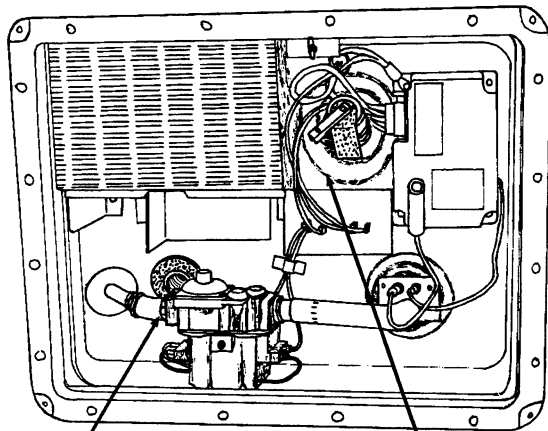


**NOTE:** Remove the water purifier filter cartridge and install the diverter plug supplied. The filter cartridge is located beneath the galley sink counter. The diverter plug must be removed and a filter cartridge installed before resuming normal use of the water system. The plug is intended for winterization only.

*If your coach is equipped with the refrigerator ice maker option, the ice maker water lines must also be drained. See "Winterizing the Ice Maker" on page 8-4.*

4. Turn the Water Pump switch ON to allow it to operate until you are done draining all faucets and toilet.
5. Open all faucets and shower head valves, including the auxiliary shower.
6. Operate the toilet flush lever and hold until water stops flowing in the toilet. Then turn water pump switch OFF.
7. Turn off the water heater pilot switch and drain the water heater tank.

Drain the water heater by removing the plug from the base of the water heater tank, accessible from the outside of the coach. (Requires socket and ratchet.) Also open the Pressure-Temperature relief valve at the top right portion of the tank to prevent air locking in the tank while draining.



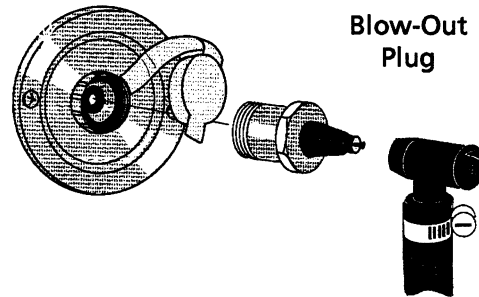
Drain Plug

P-T Relief Valve

WATER HEATER  
OUTSIDE ACCESS

8. After water has stopped draining at all faucets and drain valves, connect a "blow-out" plug to the city water connection on the coach. Then use a hand pump or air

compressor regulated to 30 psi to force air through the system. (A "blow-out" plug can be purchased from any Winnebago or Itasca dealer. P/N 701705-01-000.)



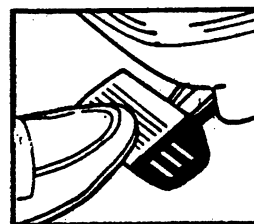
City Water Connection

## CAUTION

Limit air pressure to 30 psi to avoid damage to pump or water lines.

**NOTE:** *DO NOT burst air into the system. This can damage the water pump. It is better to let air in slowly.*

9. Let air flow for five minutes until water is completely drained from faucets and drain valves. Then close faucets one at a time.
10. Operate and hold toilet flush lever until water is completely drained from toilet.





11. Now turn air pressure off and disconnect "blow-out" plug. Recap the city water connection to avoid contamination by dirt or insects.
12. Close all drain valves and faucets to avoid contamination by dirt or insects. Reinstall water heater drain plug and close P-T relief valve.
13. Pour about one cup of non-toxic RV antifreeze into the kitchen sink drain, bathroom sink drain and shower drain. This prevents any holding tank odors from entering the coach during storage.

## WARNING

NEVER use automotive antifreeze/coolant in your RV water system. Auto antifreeze contains ethylene glycol which, if ingested, can cause blindness and can be fatal.

It is not necessary to add antifreeze to the toilet since the flush valve will be closed.

Do not add automotive antifreeze or caustic chemicals such as bleach or laundry detergents into the toilet bowl or holding tanks. Although these products may have a deodorizing effect, they may damage plastic and rubber parts in the system.

**NOTE:** *As an alternative to totally draining the plumbing system, you may winterize tanks and lines by pumping non-toxic RV antifreeze into the water lines through the city water connection. RV antifreeze solution is available from your dealer and from most RV supply stores. Follow directions on the container to determine*

*the correct amount to use for your coach.*

*Be sure the tank fill valve is closed. It is more economical to pump solution into the water lines only, rather than into the water tank.*

*If your coach is equipped with the optional water heater by-pass valve, you can fill the hot water lines with antifreeze solution without filling the water heater tank. See page 8-11 for information on the by-pass valve.*

## CAUTION

Leave by-pass valve handle in NORMAL FLOW position if draining water and blowing out water lines. Place in BYPASS position ONLY when using antifreeze solution in water lines.

14. Place a bucket beneath the sewage drain valve outlet and re-drain the sewage and waste holding tanks of any clean water that entered during "blow-out" procedure.

Close dump valves to prevent valve shafts from rusting and to prevent entry by rodents and insects. Refit the dust cap onto the drain outlet.

Your drainage and fresh water systems are now totally winterized.

15. Have the vehicle chassis completely serviced and lubricated. Be sure radiator antifreeze protection level is sufficient for the lowest anticipated temperatures.

16. Wash and wax the coach.
17. Inspect all seams and seals around doors, windows, vents, and any other joints. Replace or repair any that are damaged. Sealing materials and compounds can be purchased from your dealer. Badly damaged weather seals may need to be replaced by your dealer.
18. Close all windows and roof vents. Protect all appliance vent openings from contamination by animals or insects (e.g. bird nests, wasp nests, etc.)
19. Lubricate all door hinges and locks.
20. Clean the interior of the coach. Dirt and stains are more easily removed when fresh.
21. Remove all foods and items that may cause odors.
22. Clean and defrost the refrigerator. Leave the door slightly ajar to allow any odors to dissipate. Place an open box of baking soda inside the refrigerator to help absorb odors.
23. Turn the furnace thermostat switch on the bottom of the thermostat to OFF.
24. Turn auxiliary battery (Aux Batt) switch off. If your coach does not have an Aux Batt switch, disconnect all chassis and auxiliary battery cables.
25. Fully charge all batteries. Batteries must have at least 80% charge to survive freezing temperatures and long periods of non-use.
4. Check cabinet and door hinges. Lubricate with penetrating oil, if necessary.
5. Close all faucets and drain valves that are open. If necessary, reconnect toilet water line and close flush valve.
6. Add a few gallons of water to the fresh water tank and check for leaks especially at junctions. Also make sure all hangers and supports are securely in place. Sanitize the water system as outlined under "Disinfecting the Fresh Water System" in Section 7.
7. Check operation of all faucets to be sure faucet washers have not hardened during storage.
8. Check sealing valve in the toilet for proper operation and lubricate with silicone spray.
9. Add water to the holding tank using the toilet flush pedal. Check to be sure dump valve seals tightly.
10. Check around all appliances for obstructions and ensure that all vent openings are clear.
11. Start refrigerator and check for proper cooling.
12. Clean paneling and counter surfaces and apply a thin coat of wax.
13. Turn Aux Batt switch on, if equipped. Replace batteries if necessary and check out electrical system to make sure all lights and electrical components operate.
14. Check tires for proper cold inflation pressure.

#### **REMOVAL FROM STORAGE**

1. Completely air out the motor home.
2. Have the entire LP gas system checked for leaks.
3. Check window operation.

15. After washing accumulated winter grime from the vehicle, it is important to carefully inspect the seams and sealants for separation or cracks that may have appeared around the window frames, vents and any other joints. Re-sealing is quite simple and the material is quickly and easily applied. Appropriate compounds are available from your dealer. Also, inspect weather seals around doors, etc., and if necessary, have a dealer replace immediately.



# INDEX

## A

Air Conditioner, Automotive ..... 2-13  
Air Conditioner, Central..... 8-14  
Air Conditioner Filter ..... 8-14  
Air Conditioner Power Switch ..... 6-2  
Alarm, Carbon Monoxide ..... 1-5  
Alarm, LP Gas..... 1-3  
Antenna and Signal Amplifier,  
TV ..... 8-15  
Antenna, CB SWR Adjustment..... 2-15  
Arm Rest Adjustment ..... 2-7  
Automatic Power Transfer Switch ... 6-5  
Automotive (Starting) Battery ..... 6-7  
Auxiliary Battery Switch ..... 2-14  
Auxiliary Generator 110-Volt..... 6-5  
Auxiliary Generator Hourmeter..... 6-6  
Auxiliary Shower ..... 7-3  
Aux. Start Switch ..... 2-14

## B

Bathroom, Care of..... 9-4  
Battery, Automotive (Starting)..... 6-7  
Battery Charger, connecting..... 3-5  
Battery, Coach ..... 6-7  
Battery Condition Meter..... 8-9  
Battery Information ..... 6-8  
Battery Switch, Auxiliary..... 2-14  
Beds, Converting for use..... 8-18  
Before Driving Your Vehicle ..... 2-1  
Before Entering Your Vehicle ..... 2-1  
Block Heater, Diesel Engine ..... 6-10  
Brake, Parking ..... 2-3  
By-Pass Valve, Water Heater ..... 8-11

## C

Cabinets, cleaning ..... 9-3  
Cable TV Hook-Up..... 8-17  
Capacities:\*  
Fresh Water Tank\* ..... 7-1  
Fuel Tank\* ..... 2-2  
Holding Tanks\* ..... 7-7

Water Heater\* ..... 8-10  
Carbon Monoxide Alarm ..... 1-4  
Carbon Monoxide Warning ..... 1-4  
Carpets, Care of..... 9-2  
Cassette Player/Radio ..... 2-14  
CB Radio Wiring ..... 2-15  
Central Vacuum Cleaner ..... 8-18  
Chassis Service ..... 9-5  
Checklists  
Pre-Travel..... 4-2  
Emergency Equipment ..... 4-3  
Quick Loading..... 4-3  
Circuit Breakers,  
12-Volt: ..... 6-7, 9-9, 9-10  
Circuit Breakers, 110-Volt: ..... 6-3  
City Water Hook-Up ..... 7-3  
Coach Battery Access..... 6-8  
Coach Leveling System,  
Hydraulic..... 2-13-2-16  
Cold Weather Storage..... 10-1  
Comfort Controls..... 2-12  
Compact Disc (CD) Player System.. 2-14  
Control Center, Video ..... 8-17  
Converter, AC-DC Power..... 6-3  
Cooling System, Engine..... 9-6  
Couch/Bed Conversion ..... 8-18  
Crank-Out Windows..... 8-20  
Cruise Control..... 2-12

## D

DC-AC Electrical Inverter ..... 8-17  
Defects, Reporting Safety ..... 0-2  
Diesel Engine Block Heater ..... 6-10  
Dinette Fuel Filter..... 9-6  
Dinette/Bed Conversion ..... 8-18  
Dishwasher/Microwave Switch ..... 8-8  
Disinfecting Water System ..... 7-2  
Door Handles and Locks..... 2-4  
Doors and windows, Care of..... 9-4  
Drain Valves, Water System..... 7-6, 7-8  
Drainage System (Sewage) ..... 7-4  
Draperies, Care of..... 9-2  
Drinking and Driving..... 0-2  
Driver Seat, Six-Way Power ..... 2-8  
Driving Safety Precautions..... 1-1

---

\*Capacity chart is also conveniently located on back of "To The Owner" page inside front cover of this manual.

Dual Rear Wheels.....	3-3	H	
Dump Valves, Sewage.....	7-5	Hazard Flashers.....	2-3, 3-1
<b>E</b>		Heater/Defroster.....	2-13
Effects of Prolonged Occupancy.....	4-8	Heater, Diesel Engine Block.....	6-10
Electrical Inverter, DC-AC.....	8-17	Heater, Rear Auto.....	2-13
Electrical Outlets, 110-Volt.....	6-4	Holding Tank Capacities.....	7-7
Electrical Safety Precautions.....	1-3	Holding Tank, Dumping.....	7-5
Electrical System, 110-Volt AC.....	6-1	Holding Tank Level Indicators.....	8-9
Electrical System, 12-Volt DC.....	6-7	Hood, Engine.....	9-5
Electronic Thermostat.....	8-13	Hourmeter, Auxiliary Generator.....	6-6
Emergency Equipment Checklist.....	4-3	Humidity and Condensation.....	4-8
Emergency Exit Window.....	1-4	Hydraulic Leveling System.....	2-15, 2-17
Engine Access.....	9-5	<b>I</b>	
Engine Block Heater, Diesel.....	6-10	Ice Maker.....	8-3
Engine Cooling System.....	9-6	Instrument Panel.....	2-11
Engine Overheat.....	3-5	Interior Care.....	9-2
Engine, Starting and Stopping.....	2-3	Inverter, DC-AC Electrical.....	8-17
Entering Your Vehicle, Before.....	2-1	<b>J</b>	
Entertainment Center, exterior.....	8-17	Jet Air Ride System.....	2-18
Entrance Steps.....	2-6	Jump Starting.....	3-4
Entry System, Keyless.....	2-5	<b>K</b>	
Exterior Body Care.....	9-1	Keyless Entry System.....	2-5
Exterior Entertainment Center.....	8-17	Keys.....	2-5
Exterior Feature Identification.....	0-5	<b>L</b>	
Exterior Shower.....	7-4	Leveling Coach.....	4-7
External Power Cord (Shoreline).....	6-1	Leveling Systems, Hydraulic.....	2-15-2-17
<b>F</b>		Lights, Replacing Exterior.....	9-9
Fire Extinguisher.....	1-5	Loading, Roof.....	4-1
Flooring, Wood Plank.....	9-3	Loading Safety Precautions.....	1-3
Formaldehyde Warning.....	1-3	Loading the Vehicle.....	4-1
Fresh Water Tank.....	7-1	Locks.....	2-4
Fuel Caps, Replacement.....	2-3	Locks, Power.....	2-5
Fuel Filter, Diesel.....	9-6	Lounge Chair.....	2-7
Fuel Pump Shut-Off Switch.....	2-3	LP Gas Alarm.....	1-2
Fuel Selection, Vehicle.....	2-2	LP Gas Furnace.....	8-12
Fuel Safety Precautions.....	1-1	LP Gas, How it Works.....	5-1
Fuel Tank, Filling Vehicle.....	2-2	LP Gas Leaks.....	1-3, 5-5
Fuel Tank Capacities.....	2-2	LP Gas Level, checking.....	8-7
Furnace, LP Gas.....	8-12	LP Gas Pressure Regulator.....	5-4
Fuses, 12-Volt.....	6-7, 9-10	LP Gas Safety Precautions.....	1-1
<b>G</b>		LP Gas Selection.....	5-2
Gas Alarm, LP.....	1-2	LP Gas System, Safe Use of.....	5-1
General Warnings.....	1-1	LP Gas Tank.....	5-2
Generator, Auxiliary 110-Volt.....	6-5	LP Gas Tank, Air in the.....	5-3
Generator Hourmeter.....	6-6	LP Gas Tank Filling.....	5-3
Ground Fault Circuit Interrupter (GFCI).....	6-4	LP Gas, Traveling with.....	5-4
		LP Gas, Winter Use of.....	5-5
		LP Gas Works, How.....	5-1

- M**
- Microwave Oven ..... 8-8
  - Microwave/Dishwasher Switch ..... 8-8
  - Mirrors, Rear and Side View..... 2-10
  - Monitor Panel..... 8-7
  - Monitor, Rearview TV (Back-up).... 2-11
  - Motor Home Operations Manual  
(Binder) ..... 0-1
  - Motor-Aid Water Heater..... 8-12
  - Mountain Driving..... 4-6
  - Multi-Function Signal Lever..... 2-12
- N**
- Nighttime Driving ..... 4-6
- O**
- Outlets, 110-Volt ..... 6-4
  - Oven ..... 8-6
  - Oven, Microwave ..... 8-8
  - Oven Pilot..... 8-7
  - Overheated Engine ..... 3-5
  - Overload Protector, Thermal  
(Converter)..... 6-4
- P**
- Park and Level  
(Jet Air Ride)..... 2-17,2-18
  - Parking Brake ..... 2-3
  - Power Converter Location,  
110V-to-12V..... 6-3
  - Power Locks..... 2-5
  - Power Windows ..... 2-5
  - Power Roof Vent ..... 8-20
  - Power Seat, Driver Six-Way ..... 2-8
  - Power Step, Entrance ..... 2-6
  - Power Transfer Switch, Automatic.. 6-5
  - Pre-Travel Checklist..... 4-2
  - Pressure Regulator (LP Gas)..... 5-4
  - Prolonged Occupancy, Effects of.... 4-8
  - Pump Switch, Water..... 7-2, 8-10
- Q**
- Quick Load Checklist ..... 4-3
- R**
- Radio/Cassette Player..... 2-14
  - Radio Security Reminder, Sony ..... 2-14
  - Radio Switch..... 2-14
  - Range..... 8-6
  - Range Hood..... 8-9
  - Range Maintenance..... 9-4
  - Rear Automotive Heater..... 2-13
  - Rear View (Back-up) TV Monitor.. 2-10
  - Recovery Towing..... 3-3
  - Refrigerator..... 8-1
  - Refrigerator Maintenance ..... 8-5
  - Regulator, LP Gas ..... 5-4
  - Relief Valve, Water Heater... 8-10, 8-11
  - Removal From Storage..... 10-4
  - Reporting Safety Defects ..... 0-2
  - Restraints, Child..... 2-10
  - Roof Air Conditioning System,  
Ducted..... 8-10
  - Roof Loading..... 4-1
  - Roof Maintenance..... 9-1
  - Roof Vent, Power ..... 8-20
  - Room Extension, Slide-Out ..... 2-20
- S**
- Safety Defects, Reporting ..... 0-2
  - Sanitizing Water Tank  
(Disinfection) ..... 7-2
  - Seat Belts and Child  
Restraints ..... 2-8,2-10
  - Seat Belts ..... 2-8
  - Seats..... 2-7 - 2-8
  - Security Reminder, Sony Radio ..... 2-14
  - Service and Assistance ..... 0-2
  - Sewer Systems (Hook-Up) ..... 7-6
  - Shade Adjustment..... 9-4
  - Shoreline Power Cord (Hook-Up).... 6-1
  - Shower, Exterior..... 7-4
  - Shower Hose Vacuum Breaker..... 7-3
  - Signal Lever, Multi-Function..... 2-12
  - Sink, Stainless Steel ..... 9-4
  - Slide-Out Room Extension ..... 2-20
  - Smoke Alarm ..... 1-5
  - Solar Charger Panel (Optional)..... 6-8
  - Solar Panel Wiring..... 6-8
  - Spare Tire..... 3-1
  - Speed Control..... 2-12
  - Start Switch, Aux. .... 2-14
  - Starting and Stopping the Engine.. 2-3
  - Step, Entrance ..... 2-6
  - Storage, Removal From..... 10-4
  - Storing, Cold Weather ..... 10-1
  - Suspension Alignment..... 9-7
  - Suspension System, Jet Air Ride.... 2-18
  - Suspension, Rear Air  
(incl. Tag Axle) ..... 10-5
  - SWR Adjustment, CB Antenna..... 2-15

<b>T</b>	
Table.....	8-18, 9-3
Tag Axle, Rear .....	9-7
Telephone Hook-up.....	8-17
Thermal Overload Protector, Power Converter.....	6-4
Thermostat, Electronic.....	8-13
Tires .....	9-6
Tire Balancing .....	9-7
Tire Changing.....	3-1, 3-2
Toilet .....	8-18, 8-19
Towing Your Vehicle .....	3-3
Trailer Towing.....	4-1
Trailer Wiring Connector.....	6-10
Travel Tips .....	4-4
TV Antenna .....	8-15
TV Cable Hook-Up.....	8-17
TV Signal Amplifier .....	8-16
<b>U</b>	
Upholstery and Draperies.....	9-2, 9-3
Under-Body Cleaning .....	9-1
Utility Light.....	7-6
<b>V</b>	
Vacuum Cleaner, Central.....	8-18
Vehicle Chassis Manual.....	0-1
Vehicle Certification Label.....	0-4
Vent, Power Roof.....	8-20
Video Control Center.....	8-17
Vinyl Fabrics.....	9-3
Vinyl Wallboard .....	9-3
Voltage Inverter, DC-AC Electrical .....	8-17
<b>W</b>	
<b>Warnings</b>	
Carbon Monoxide .....	1-4
Driving .....	1-1
Electrical .....	1-3
Formaldehyde .....	1-4
Fuel .....	1-2, 2-3
General .....	1-1
Generator, Auxiliary.....	6-5
LP Gas.....	1-1, 5-1
Loading.....	1-3
Maintenance .....	1-3
Warranty .....	0-2
Washer-Dryer .....	8-8
Washer-Dryer/Microwave Switch .....	8-8
Waste Drainage System .....	7-4
Water Pump .....	7-1
Water Pump Switches .....	7-2, 8-10
Water Heater.....	8-10
Water Heater By-Pass Valve .....	8-11
Water Heater Capacity.....	8-10
Water Heater, Motor-Aid .....	8-12
Water Heater Relief Valve ..	8-10 - 8-11
Water Hook-Up, External (City).....	7-3
Water System, Disinfection of .....	7-2
Water Tank Capacity.....	7-1
Water Tank, Filling Instructions.....	7-1
Water Tank, Preparing for Storage .....	10-1
Water Tank Drain Valve Locations ..	7-8
Waxing and Polishing.....	9-1
Weather Information, Severe.....	4-5
Weighing the Vehicle .....	4-1
Wheel Nuts.....	3-3
Window Cleaning.....	9-4
Window, Power Switch.....	2-5
Window Shades .....	9-4
Windows, Crank-Out .....	8-20
Windows, Emergency Exit .....	1-4
Windshield Wiper/Washer Switch .....	2-12
Winterizing .....	10-1



## IMPORTANT SERIAL NUMBERS

Motor Home (Coach): Year \_\_\_\_\_ Model \_\_\_\_\_ Serial \_\_\_\_\_  
Chassis: Make \_\_\_\_\_ Serial (VIN) \_\_\_\_\_

Roof Air Conditioner:	Brand _____	Model _____	Serial _____
Furnace:	Brand _____	Model _____	Serial _____
Water Heater:	Brand _____	Model _____	Serial _____
Power Converter:	Brand _____	Model _____	Serial _____
110-Volt Generator:	Brand _____	Model _____	Serial _____
Range:	Brand _____	Model _____	Serial _____
Microwave Oven:	Brand _____	Model _____	Serial _____
Refrigerator:	Brand _____	Model _____	Serial _____
Television:	Brand _____	Model _____	Serial _____
Video Cassette Player:	Brand _____	Model _____	Serial _____

## EMERGENCY INFORMATION

### Dealer

Name \_\_\_\_\_

Address \_\_\_\_\_

Phone \_\_\_\_\_

### INSURANCE POLICY

Company \_\_\_\_\_

Policy Number \_\_\_\_\_

Phone \_\_\_\_\_





