

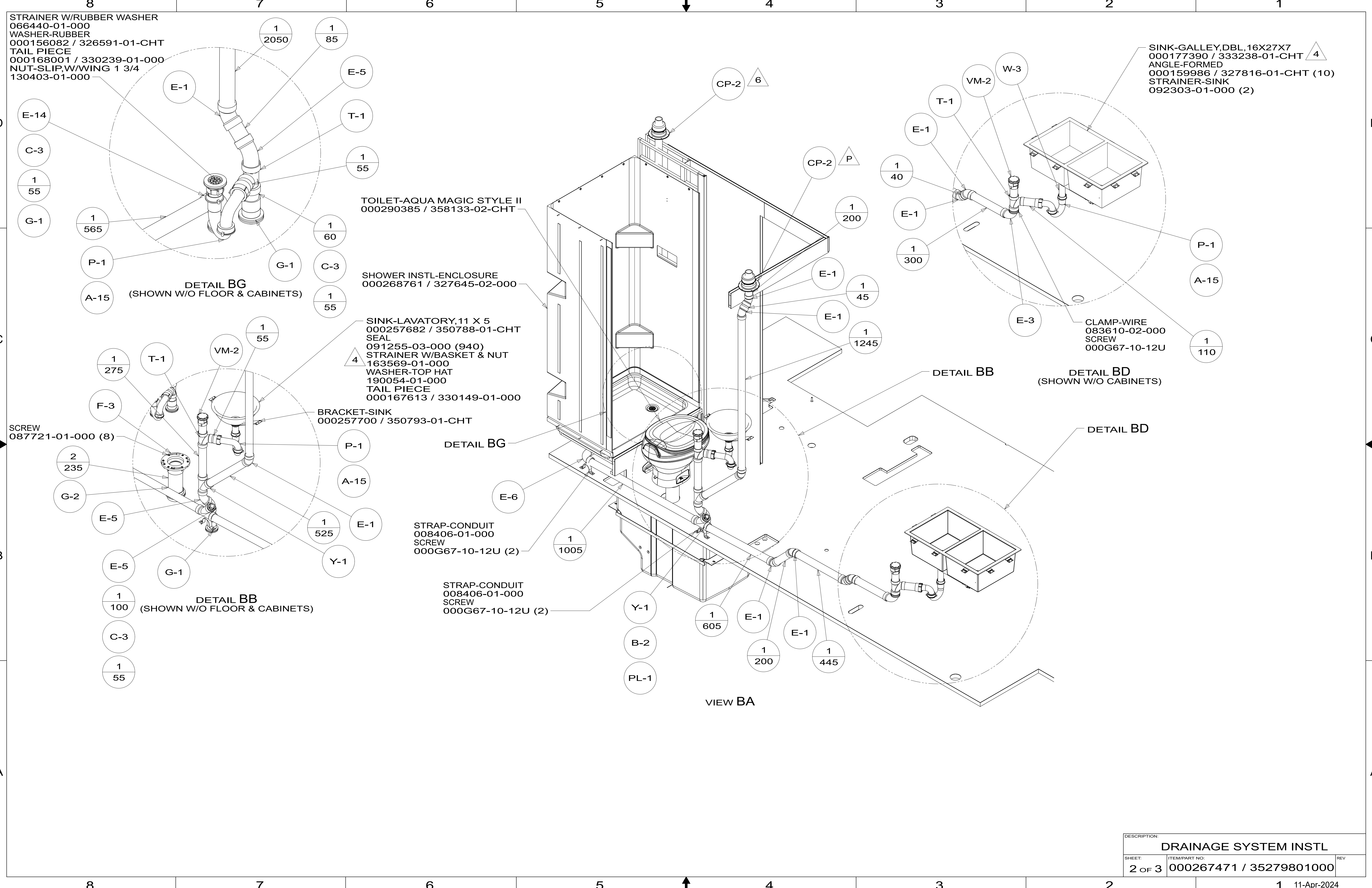
- NOTES:
11. APPLY CAP SEAL SINK/COUNTERTOP WITH SILICONE 131264-05-CHT.
 10. APPLY 1/4" BEAD OF SEALANT 176400-02-000 TO FLANGE BEFORE INSTALLATION.
 9. SEE DRAWING 061607 FOR INSTALLATION OF GROMMETS.
 8. SECURE DRAINAGE PIPES TO CABINET USING WIRE TIE 108046-02-000, AND SCREW 000G67-10-12U AT INTERVALS OF NOT MORE THAN 4 FEET APART.
 7. SECURE VENT PIPE TO FLOOR WITH CLAMP 000156237 / 326663-02-000 (2), SCREW 000G67-10-12U (2), BRACKET 136878-01-CHT (2).
 6. VENT PIPE MUST PROJECT 51 MIN AND 64 MAX ABOVE ROOF FOR PROPER FIT AND FUNCTION. ADD S-1 (000156099 / 326607-01-CHT SEAL-VENT PIPE) AROUND PIPE ON ROOF BEFORE VENT CAP IS INSTALLED.
 5. SEAL AROUND SHOWER WITH SILICONE.
 4. USE SMOOTH PLUMBERS PUTTY 167459-01-000 TO SEAL STRAINER (0.2 PER STRAINER).
 3. ALL PIPE AND FITTINGS TO BE ASSEMBLED WITH SOLVENT 004020-01-000 (USA), 004020-02-000 (CAN)
 2. SLOPE OF TRAP ARM MUST BE 6 PER 305 mm.
 1. SLOPE OF HORIZONTAL PIPING TO BE MINIMUM OF 3 PER 305 mm.

CC	INDICATES A CRITICAL CHARACTERISTIC. ENSURE PROPER PROCEDURES ARE FOLLOWED.
SC	INDICATES A SIGNIFICANT CHARACTERISTIC. ENSURE PROPER PROCEDURES ARE FOLLOWED.
KC	INDICATES A KEY CHARACTERISTIC. ENSURE PROPER PROCEDURES ARE FOLLOWED.



DSNR: F.WEGNER		ALL DIMENSIONS ARE IN MILLIMETERS	
DFT: F.WEGNER		24 C24P	
UNSPECIFIED TOLERANCES:		MATERIAL:	
WHOLE DIM (X)	3		
ONE-PLACE (X.X)	1.5		
TWO-PLACE (X.XX)	0.50		
ANGLE	1°		
REFER TO ES0018 FOR FASTENER TIGHTENING GUIDELINES		WEIGHT: (LBS)	FIRST USED: (REF)
DESCRIPTION:		24 C24P	
DRAINAGE SYSTEM INSTL			
SHEET:	ITEM/PART NO.:	REV	
1 OF 3	000267471 / 35279801000		

FOR
DRAINAGE
CALLOUTS
SEE DWG NO.
000211962 /
303370-01-000



STRAINER W/RUBBER WASHER
 066440-01-000
 WASHER-RUBBER
 000156082 / 326591-01-CHT
 TAIL PIECE
 000168001 / 330239-01-000
 NUT-SLIP,W/WING 1 3/4
 130403-01-000

SINK-GALLEY,DBL,16X27X7
 000177390 / 333238-01-CHT \triangle 4
 ANGLE-FORMED
 000159986 / 327816-01-CHT (10)
 STRAINER-SINK
 092303-01-000 (2)

TOILET-AQUA MAGIC STYLE II
 000290385 / 358133-02-CHT

SHOWER INSTL-ENCLOSURE
 000268761 / 327645-02-000

SINK-LAVATORY,11 X 5
 000257682 / 350788-01-CHT
 SEAL
 091255-03-000 (940)
 STRAINER W/BASKET & NUT
 163569-01-000
 WASHER-TOP HAT
 190054-01-000
 TAIL PIECE
 000167613 / 330149-01-000

BRACKET-SINK
 000257700 / 350793-01-CHT

STRAP-CONDUIT
 008406-01-000
 SCREW
 000G67-10-12U (2)

STRAP-CONDUIT
 008406-01-000
 SCREW
 000G67-10-12U (2)

CLAMP-WIRE
 083610-02-000
 SCREW
 000G67-10-12U

D

D

C

C

B

B

A

A

DETAIL BG
 (SHOWN W/O FLOOR & CABINETS)

DETAIL BB
 (SHOWN W/O FLOOR & CABINETS)

DETAIL BD
 (SHOWN W/O CABINETS)

DETAIL BB

DETAIL BD

VIEW BA

DESCRIPTION: DRAINAGE SYSTEM INSTL		
SHEET: 2 OF 3	ITEM/PART NO: 000267471 / 35279801000	REV

8 7 6 5 4 3 2 1

D

D

C

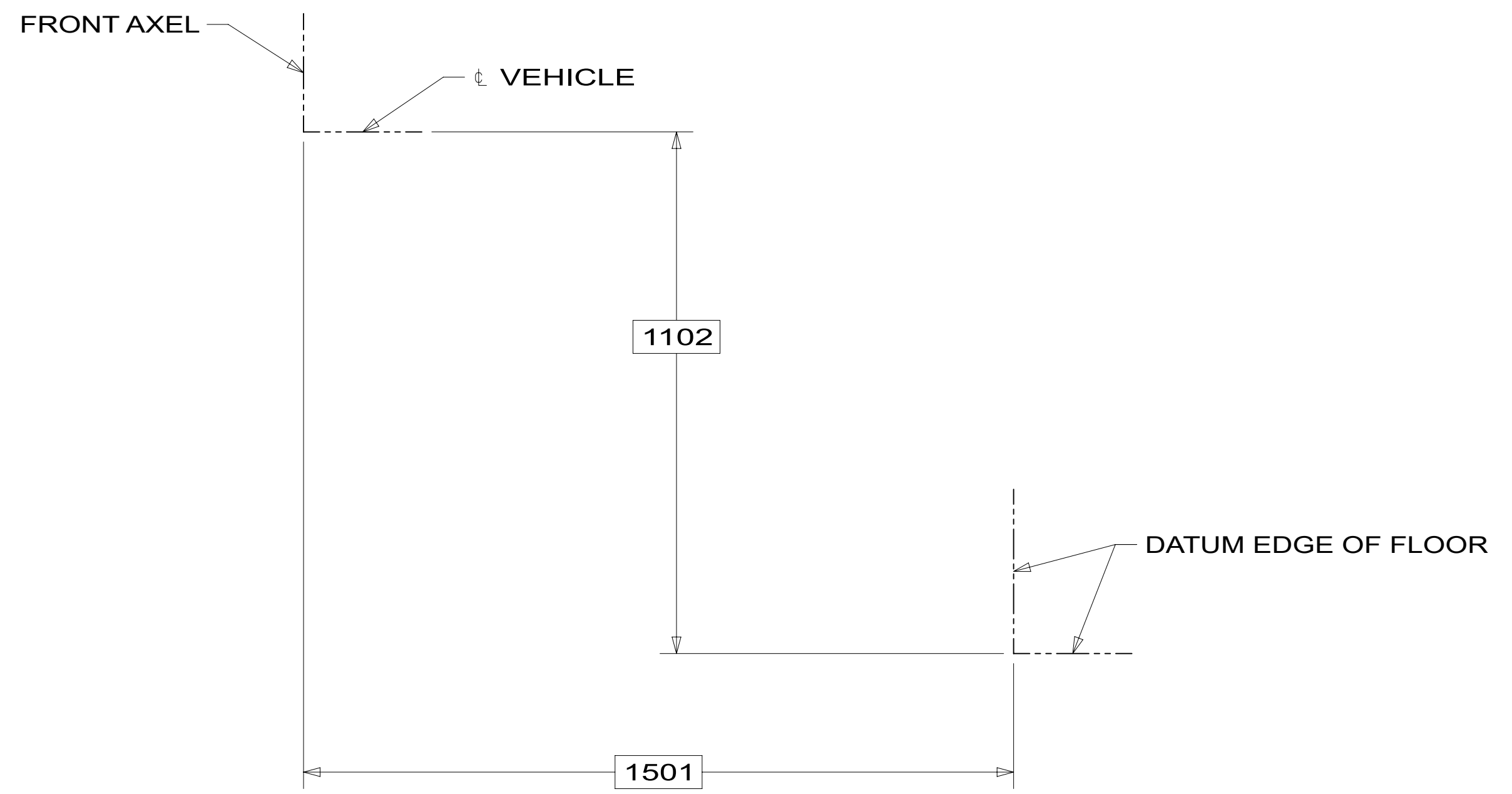
C

B

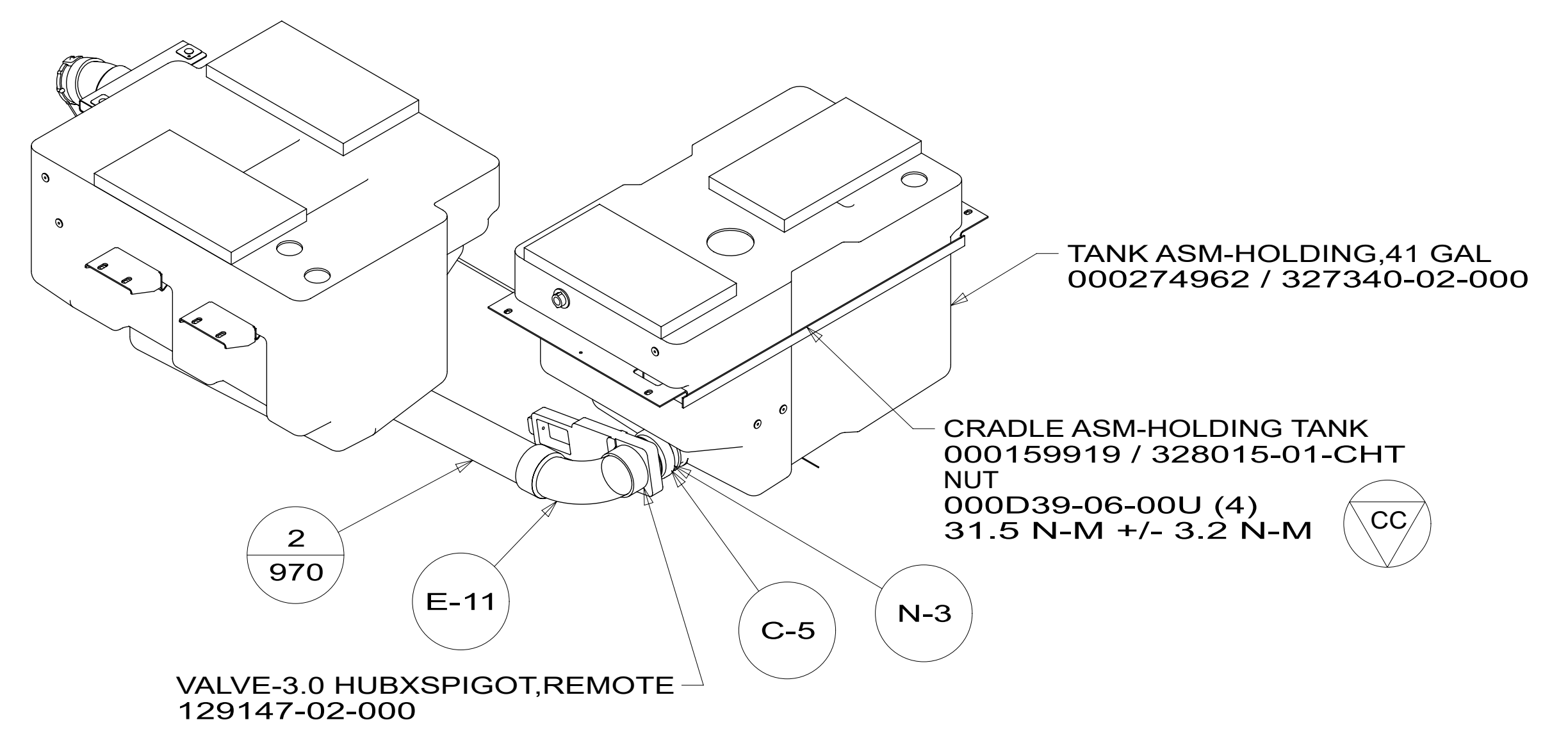
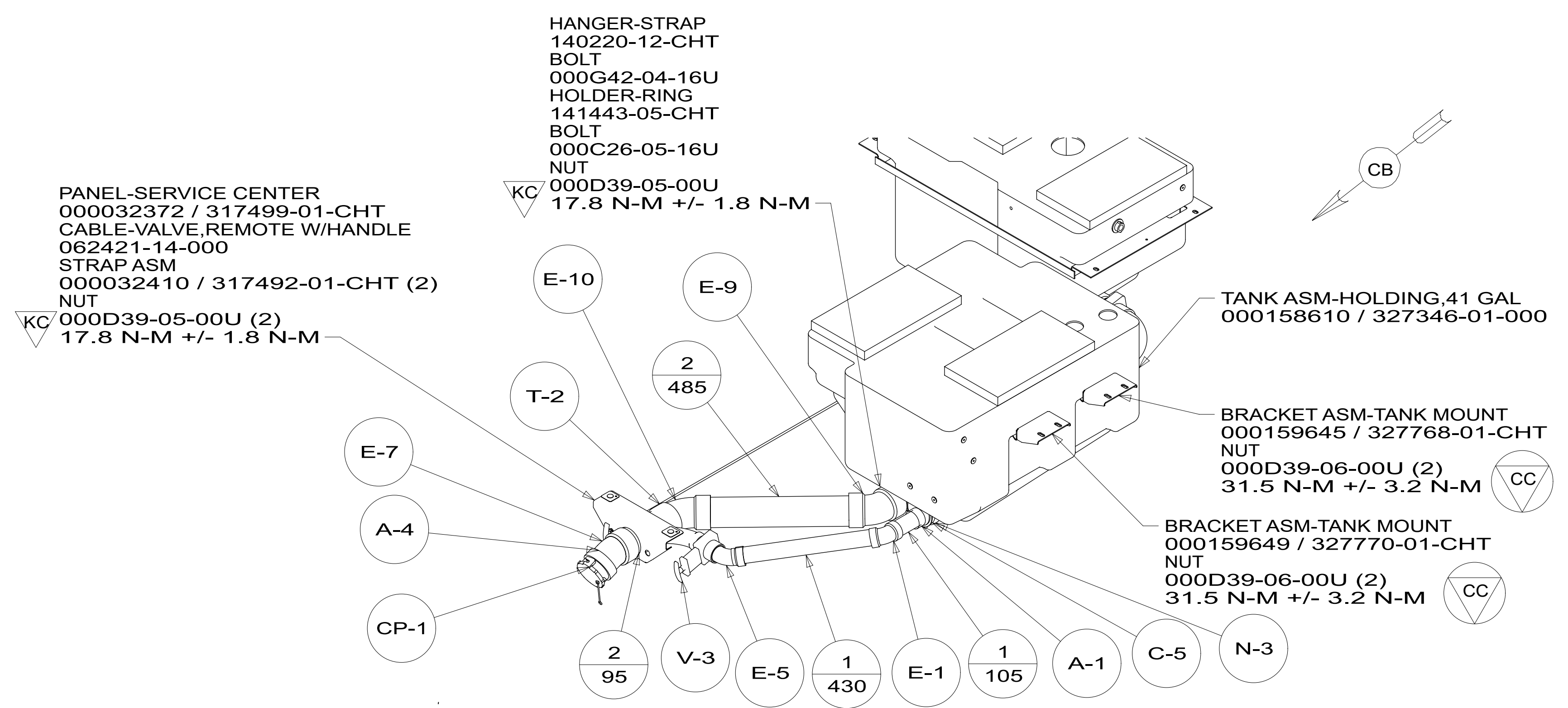
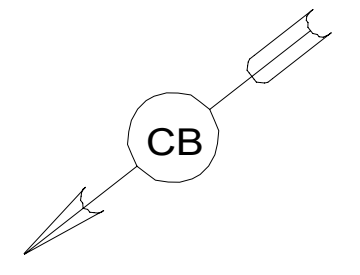
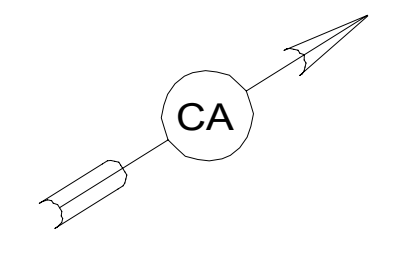
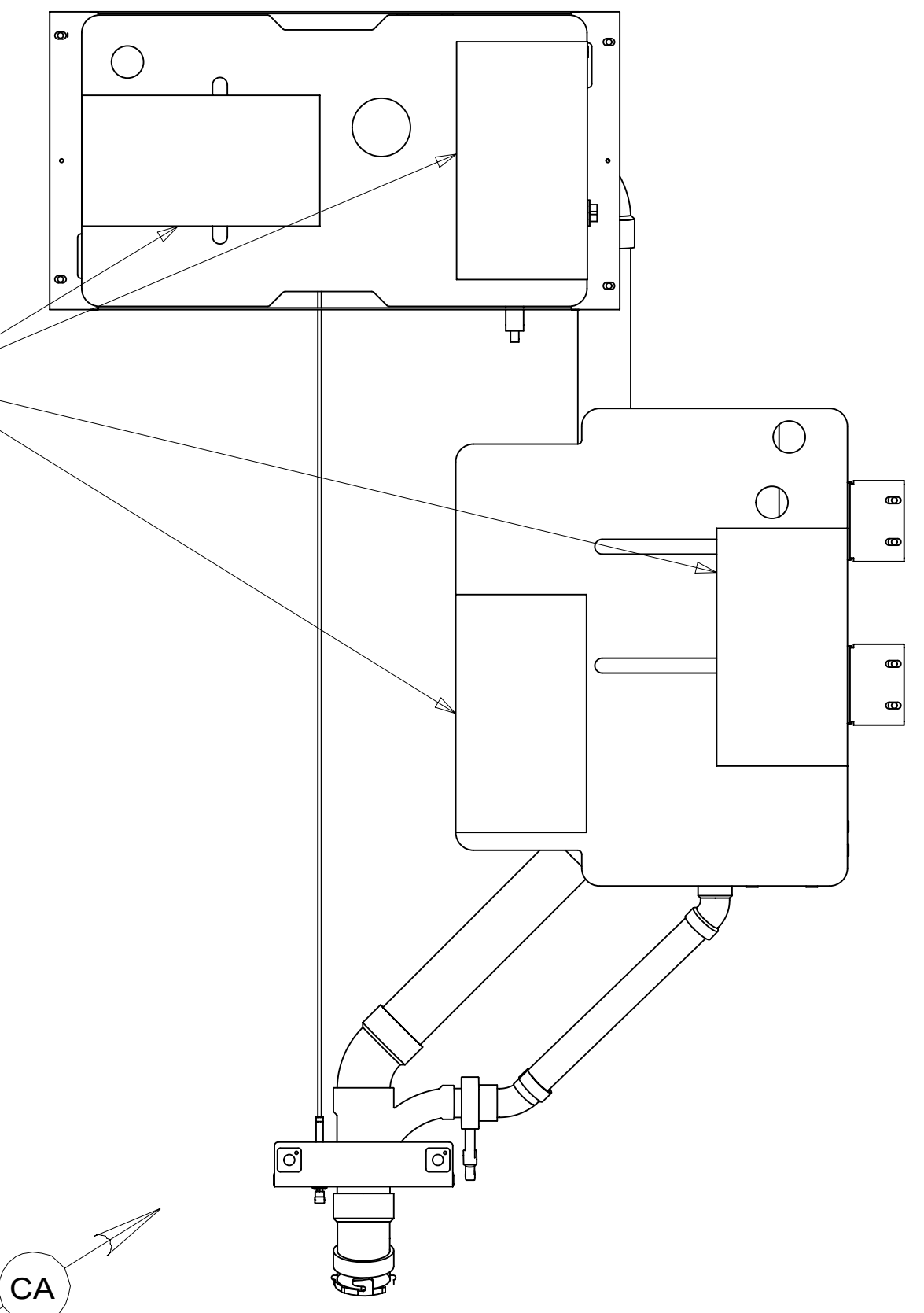
B

A

A



INSULATION-DRAINAGE COMPT,RECT
000167572 / 317684-05-000



DESCRIPTION: DRAINAGE SYSTEM INSTL		
SHEET: 3 OF 3	ITEM/PART NO: 000267471 / 35279801000	REV

8 7 6 5 4 3 2 1 11-Apr-2024