

12. USE PLUMBER'S PUTTY 167459-01-000.
11. REMOVE O-RING IN CAP. SEE DETAIL AC.
10. REMOVE FILTER. SEE DETAIL AB.
9. APPLY SEALANT-THREAD COMPOUND 084456-01-000.
8. TORQUE FASTENER TO 2.3 ± 0.23 Nm.
7. TIGHTENING POINT ON THE CLAMPS SHOULD BE AT LEAST 90-270 DEGREES AWAY FROM EACH OTHER. SEE SECTION AA.
6. VENT PIPE MUST PROJECT 51 MIN AND 64 MAX ABOVE ROOF FOR PROPER FIT AND FUNCTION.
5. SEAL AROUND SHOWER WITH SILICONE.
4. SECURE DRAINAGE PIPES TO CABINET USING WIRE TIE 108046-02-000, AND SCREW 000G67-10-12U AT INTERVALS OF NOT MORE THAN 4 FEET APART.
3. ALL PIPE AND FITTINGS TO BE ASSEMBLED WITH SOLVENT 004020-01-000 (USA), 004020-02-000 (CAN)
2. SLOPE OF TRAP ARM MUST BE 6 PER 305 mm.
1. SLOPE OF HORIZONTAL PIPING TO BE MINIMUM OF 3 PER 305 mm.

NOTES:

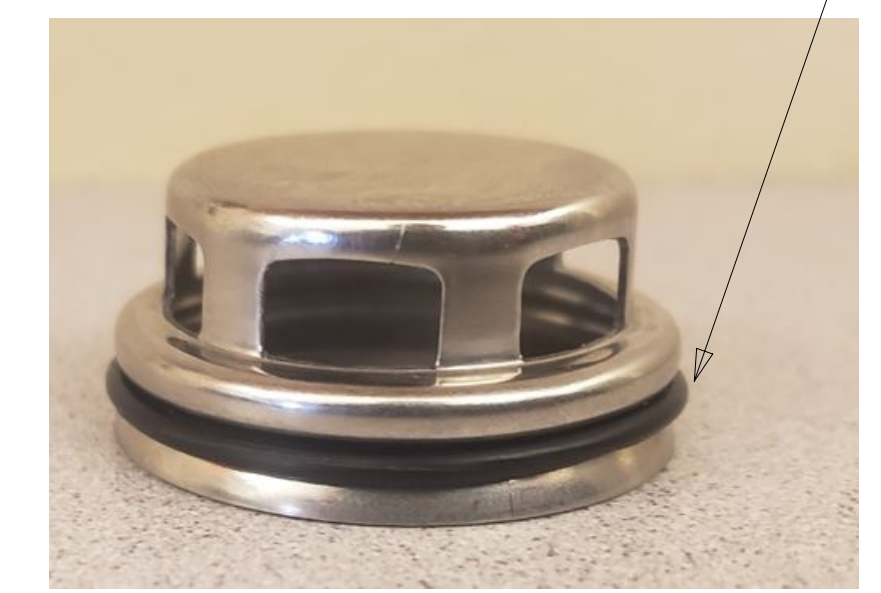
SECTION AA-AA

	INDICATES A CRITICAL CHARACTERISTIC. ENSURE PROPER PROCEDURES ARE FOLLOWED.
	INDICATES A SIGNIFICANT CHARACTERISTIC. ENSURE PROPER PROCEDURES ARE FOLLOWED.
	INDICATES A KEY CHARACTERISTIC. ENSURE PROPER PROCEDURES ARE FOLLOWED.

FOR DRAINAGE CALLOUTS SEE DWG NO. 000211962 / 303370-01-000

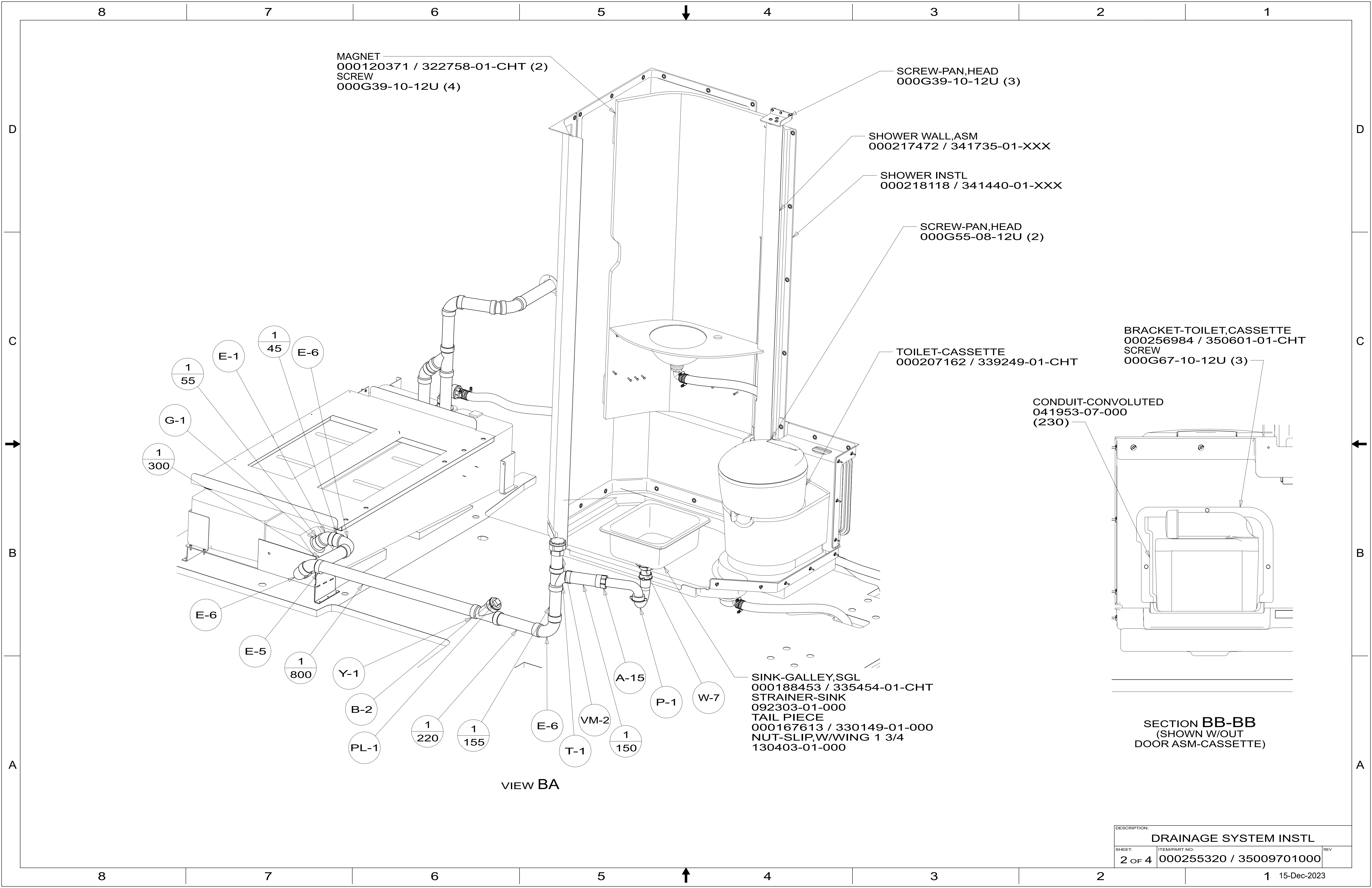


DETAIL AB



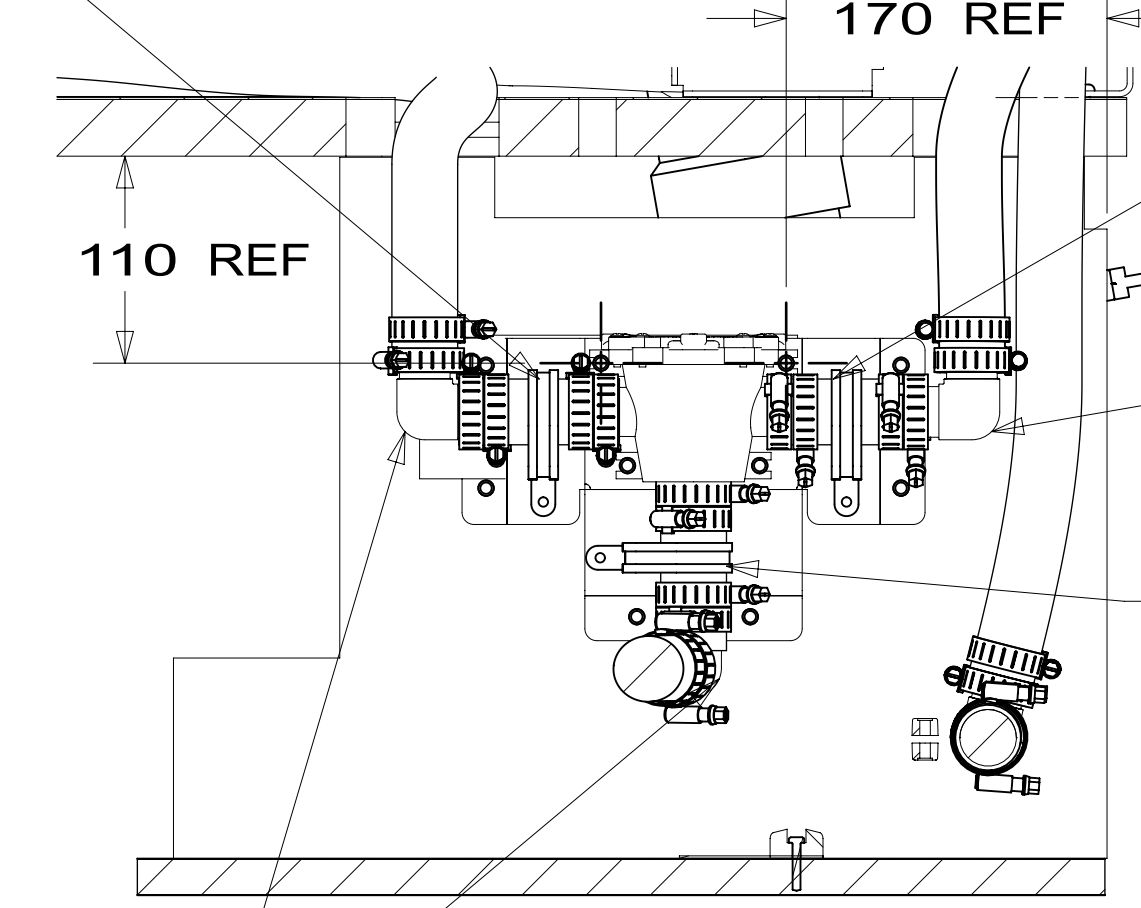
DETAIL AC

WINNEBAGO COPYRIGHT 2023 WINNEBAGO INDUSTRIES, INC.	
DSNR:	ALL DIMENSIONS ARE IN MILLIMETERS
DFTR:	
UNSPECIFIED TOLERANCES:	MATERIAL:
WHOLE DIM (X) : 3	
ONE-PLACE (X.X) : 1.5	
TWO-PLACE (X.XX) : 0.50	
ANGLE : 1°	
REFER TO ES0018 FOR FASTENER TIGHTENING GUIDELINES	WEIGHT: (LBS) FIRST USED: (REF) 23 622A
DRAINAGE SYSTEM INSTL	
SHEET: 1 OF 4	ITEM/PART NO.: 000255320 / 35009701000
REF:	1 15-Dec-2023



8 7 6 5 4 3 2 1

HOSE-SANITATION,1"ID
000255555 / 350247-01-000
(85)
CLAMP-HOSE
000255852 / 326663-06-000 (4) 7 8 SC



HOSE-SANITATION,1"ID
000255555 / 350247-01-000
(85)
CLAMP-HOSE
000255852 / 326663-06-000 (4) 7 8 SC

ELBOW-1" BARB
000240784 / 349871-01-000

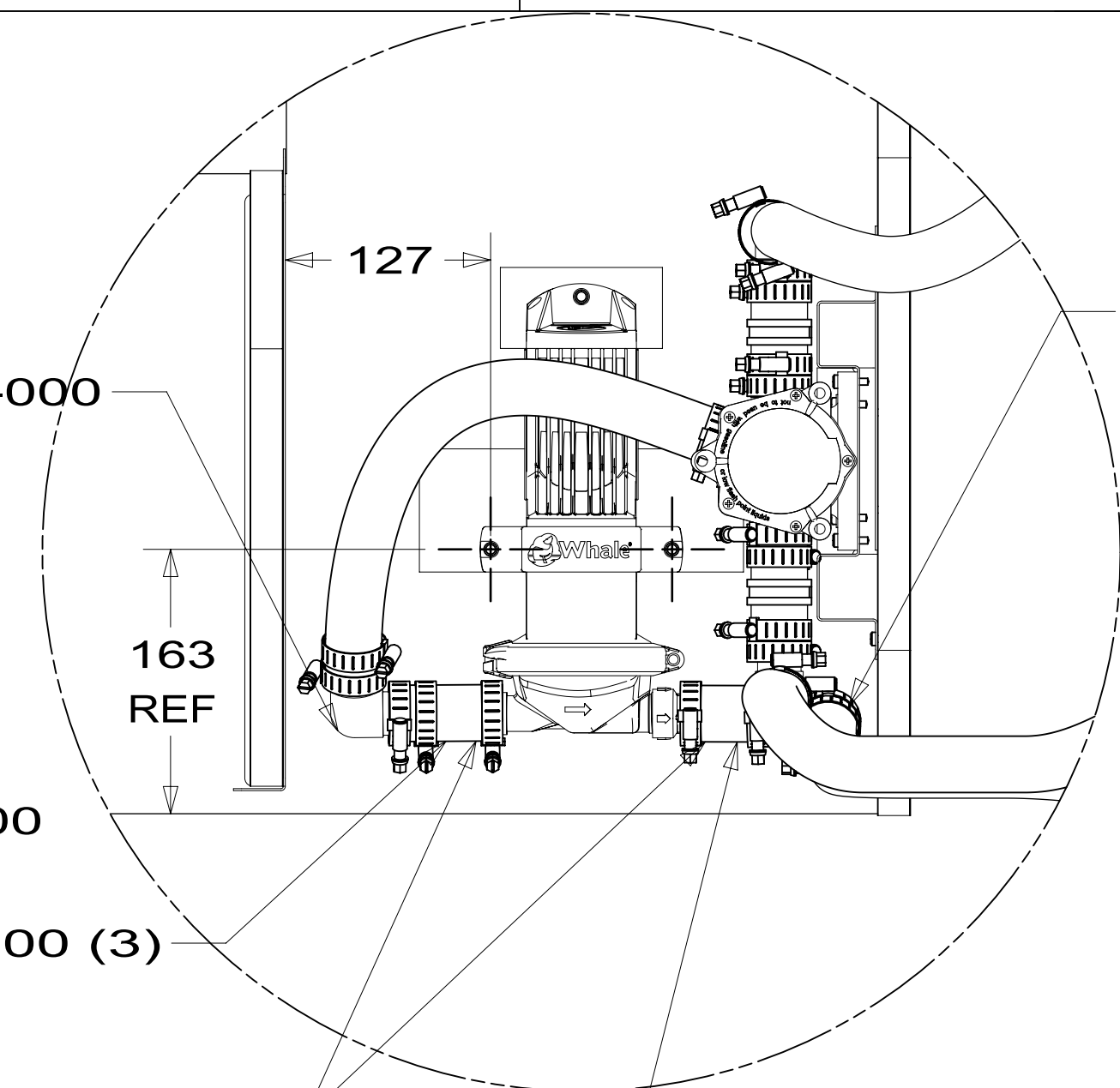
HOSE-SANITATION,1"ID
000255555 / 350247-01-000
(85)
CLAMP-HOSE
000255852 / 326663-06-000 (4) 7 8 SC

ELBOW-1" BARB
000240784 / 349871-01-000

SECTION CB-CB

ELBOW-1" BARB
000240784 / 349871-01-000

HOSE-SANITATION,1"ID
000255555 / 350247-01-000
(70)
CLAMP-HOSE
000255852 / 326663-06-000 (3)



TRIM 19 MM
FROM FITTINGS

DETAIL CC

ELBOW-1" BARB
000240784 / 349871-01-000

HOSE-SANITATION,1"ID
000255555 / 350247-01-000
(70)
CLAMP-HOSE
000255852 / 326663-06-000 (3) 7 8 SC

SUPPORT ASM-TANK,WATER
000214312 / 341273-01-CHT

PUMP-WASTE,MANIFOLD
000255196 / 350333-01-000
PANEL-PUMP,MANIFOLD
000261254 / 351720-01-CHT
CLAMP-WIRE,DUAL UNEQUAL DIA
083610-01-000 (3)
SCREW
000G39-08-16U (3)
SCREW
000G39-08-12U (4)
SCREW
000G39-08-08U (6)

DRAIN ASM-W/STRAINER
000040721 / 319610-01-CHT

DOOR ASM-CASSETTE
000043928 / 320595-01-XXX

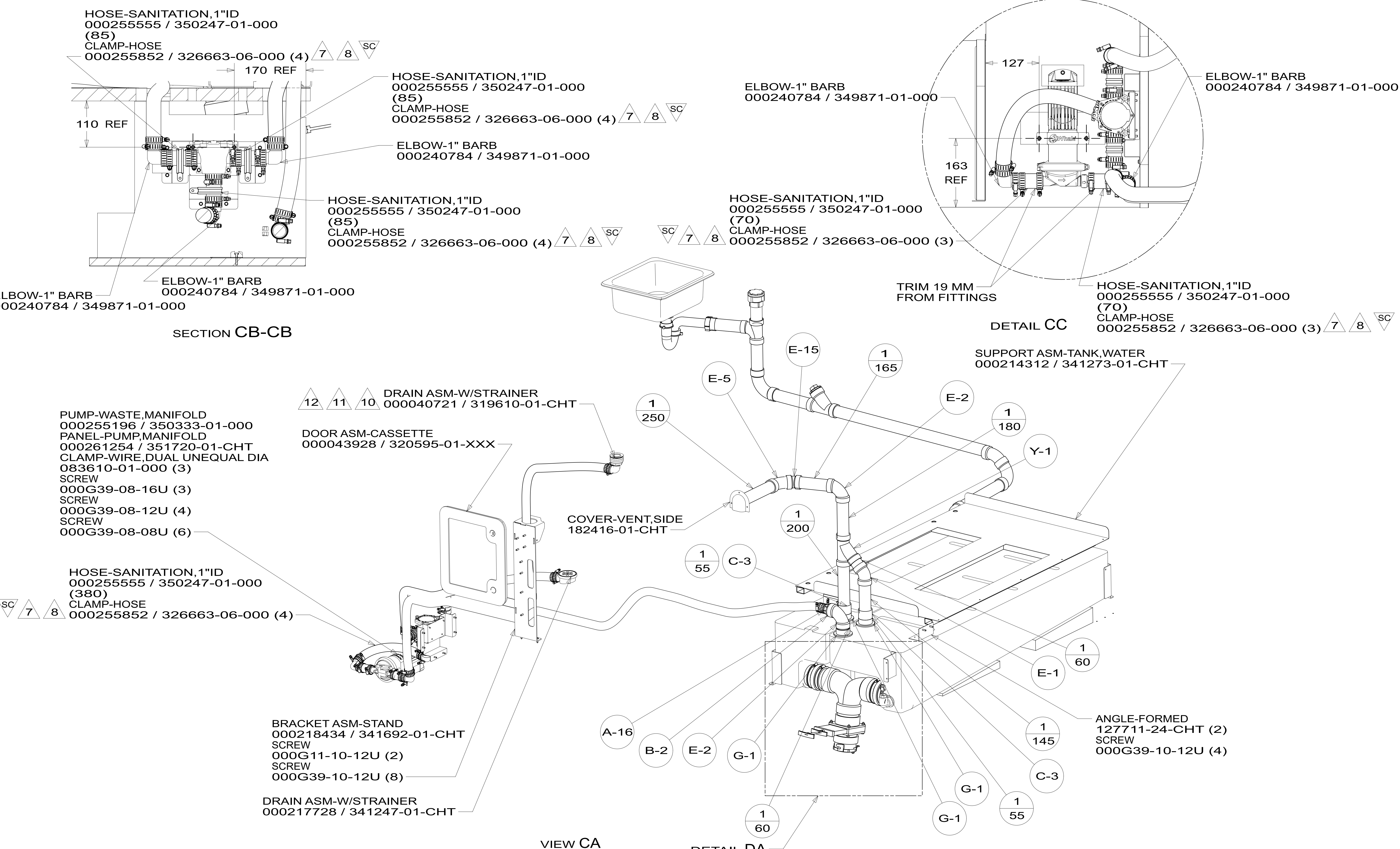
COVER-VENT,SIDE
182416-01-CHT

HOSE-SANITATION,1"ID
000255555 / 350247-01-000
(380)
CLAMP-HOSE
000255852 / 326663-06-000 (4) 7 8 SC

BRACKET ASM-STAND
000218434 / 341692-01-CHT
SCREW
000G11-10-12U (2)
SCREW
000G39-10-12U (8)

DRAIN ASM-W/STRAINER
000217728 / 341247-01-CHT

ANGLE-FORMED
127711-24-CHT (2)
SCREW
000G39-10-12U (4)



VIEW CA

DETAIL DA

DESCRIPTION: DRAINAGE SYSTEM INSTL		
SHEET: 3 OF 4	ITEM/PART NO: 000255320 / 35009701000	REV

8 7 6 5 4 3 2 1 15-Dec-2023

