

12. TRIM TO FIT.
11. APPLY PRIMER 126427-02-000 AND CEMENT 126427-01-000 BETWEEN ELBOW AND FLEX PIPE.
10. VALVE TERMINATION TEE TO BE POSITIONED AT 10° DOWN AND OUTBOARD.
9. SEE DRAWING 061607 FOR INSTALLATION OF GROMMETS.
8. SECURE DRAINAGE PIPES TO CABINET USING WIRE TIE 108046-02-000, AND SCREW 000G67-10-12U AT INTERVALS OF NOT MORE THAN 4 FEET APART.
7. SECURE VENT PIPE TO TANK WITH CLAMP 000156237 / 326663-02-000.
6. VENT PIPE MUST PROJECT 51 MIN AND 64 MAX ABOVE ROOF FOR PROPER FIT AND FUNCTION. ADD S-1 (000156099 / 326607-01-CHT SEAL-VENT PIPE) AROUND PIPE ON ROOF BEFORE VENT CAP IS INSTALLED.
5. SEAL AROUND SHOWER WITH SILICONE.
4. USE SMOOTH PLUMBERS PUTTY 167459-01-000 TO SEAL STRAINER (0.2 PER STRAINER).
3. ALL PIPE AND FITTINGS TO BE ASSEMBLED WITH SOLVENT 004020-01-000 (USA), 004020-02-000 (CAN)
2. SLOPE OF TRAP ARM MUST BE 6 PER 305 mm.
1. SLOPE OF HORIZONTAL PIPING TO BE MINIMUM OF 3 PER 305 mm.

	INDICATES A CRITICAL CHARACTERISTIC. ENSURE PROPER PROCEDURES ARE FOLLOWED.
	INDICATES A SIGNIFICANT CHARACTERISTIC. ENSURE PROPER PROCEDURES ARE FOLLOWED.
	INDICATES A KEY CHARACTERISTIC. ENSURE PROPER PROCEDURES ARE FOLLOWED.

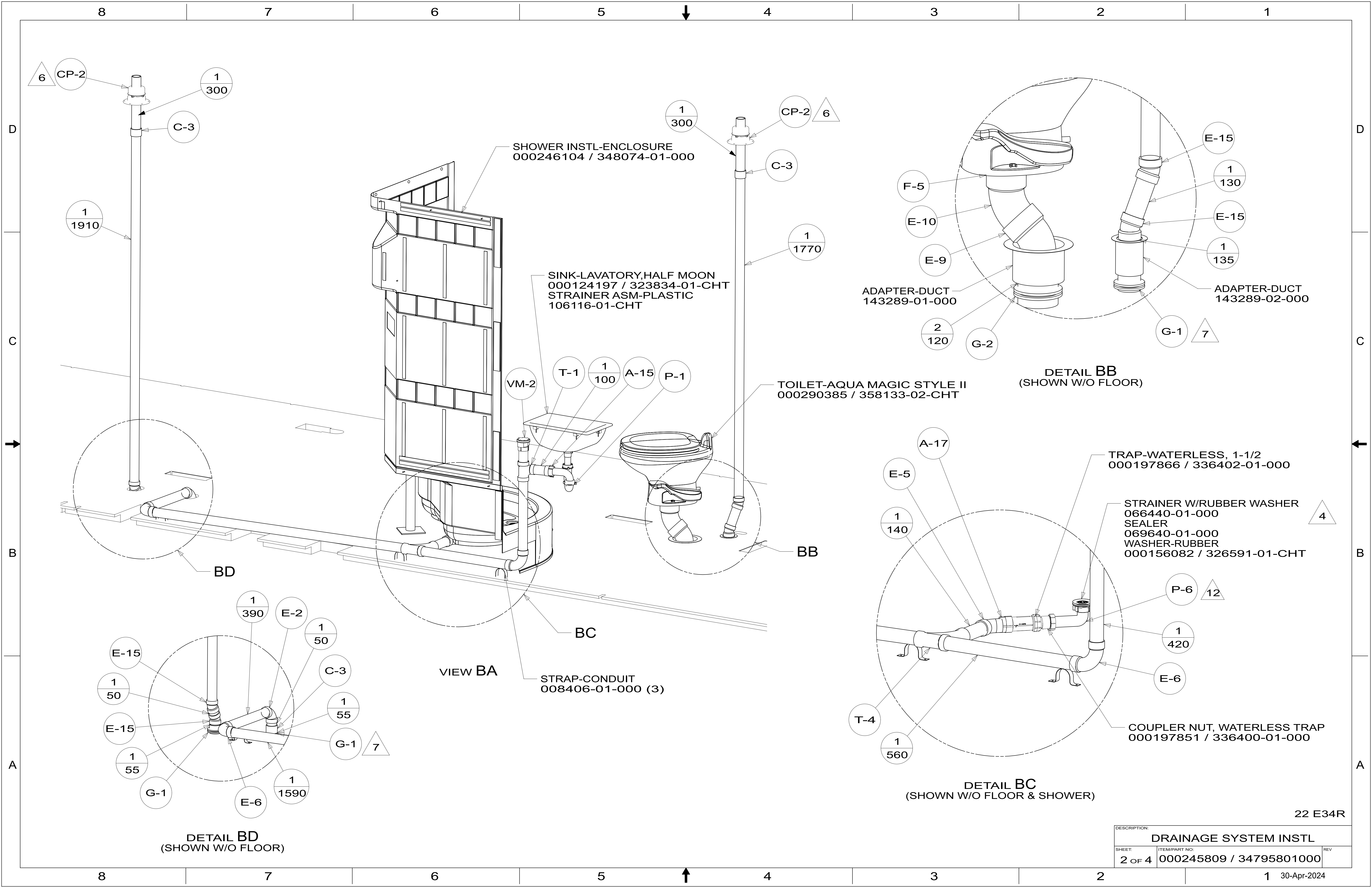
X-X

FOR
DRAINAGE
CALLOUTS
SEE DWG NO.
000211962 /
303370-01-000

WINNEBAGO[®]
COPYRIGHT 2024 WINNEBAGO INDUSTRIES, INC.

DSNR:	ALL DIMENSIONS ARE IN MILLIMETERS	
DFTR:	MATERIAL:	
UNSPECIFIED TOLERANCES:	WEIGHT: (LBS)	FIRST USED: (REF)
WHOLE DIM (X) : 3		22 E34R
ONE-PLACE (X.X) : 1.5		
TWO-PLACE (X.XX) : 0.50		
ANGLE : 1°		
REFER TO ES0018 FOR FASTENER TIGHTENING GUIDELINES		
DESCRIPTION: DRAINAGE SYSTEM INSTL		
SHEET: 1 OF 4	ITEM/PART NO: 000245809 / 34795801000	REV:
REF:		1 30-Apr-2024

NOTES:



SHOWER INSTL-ENCLOSURE
000246104 / 348074-01-000

SINK-LAVATORY, HALF MOON
000124197 / 323834-01-CHT
STRAINER ASM-PLASTIC
106116-01-CHT

TOILET-AQUA MAGIC STYLE II
000290385 / 358133-02-CHT

STRAP-CONDUIT
008406-01-000 (3)

ADAPTER-DUCT
143289-01-000

ADAPTER-DUCT
143289-02-000

TRAP-WATERLESS, 1-1/2
000197866 / 336402-01-000

STRAINER W/RUBBER WASHER
066440-01-000
SEALER
069640-01-000
WASHER-RUBBER
000156082 / 326591-01-CHT

COUPLER NUT, WATERLESS TRAP
000197851 / 336400-01-000

DETAIL BB
(SHOWN W/O FLOOR)

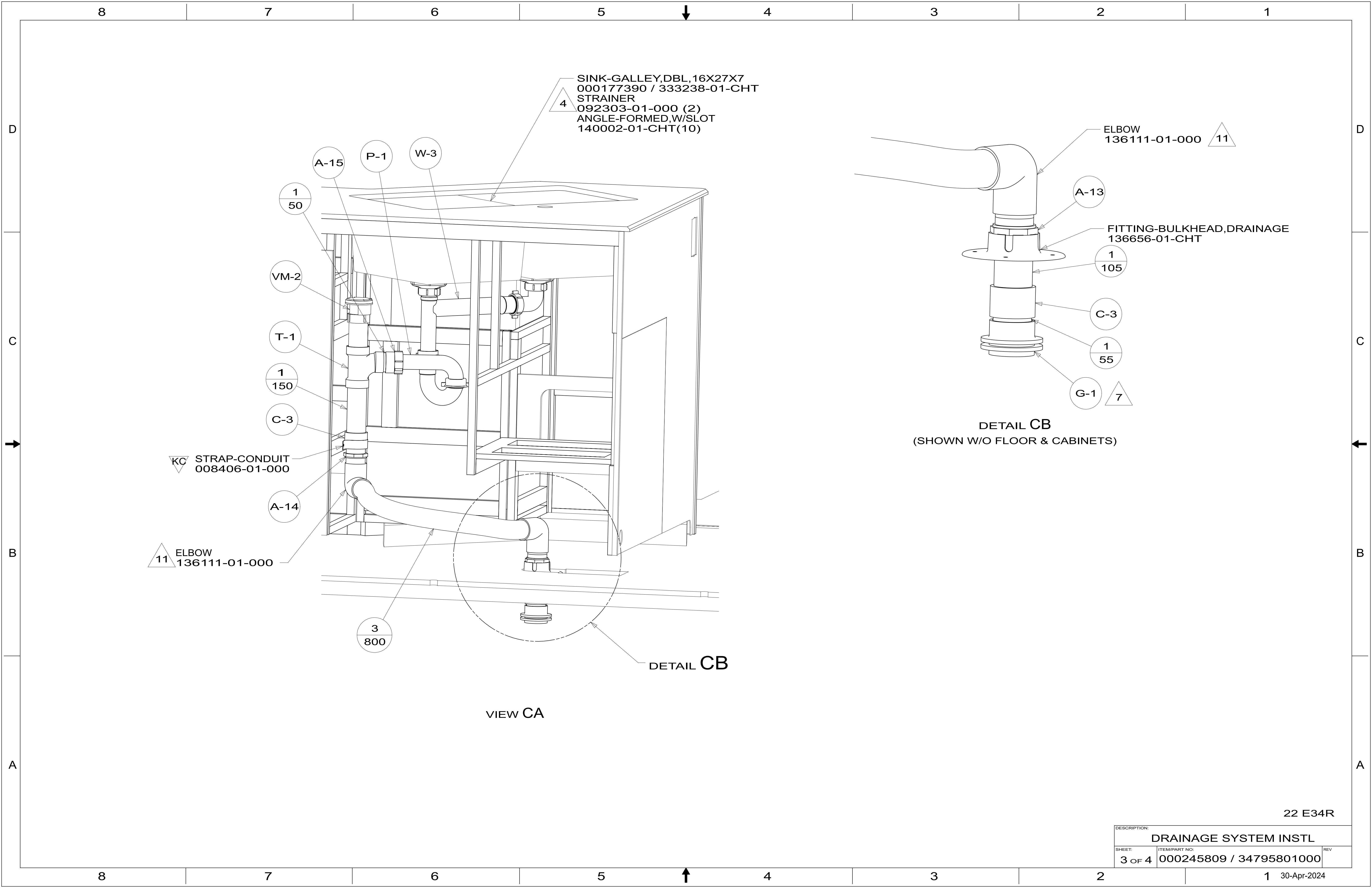
DETAIL BC
(SHOWN W/O FLOOR & SHOWER)

DETAIL BD
(SHOWN W/O FLOOR)

DESCRIPTION: DRAINAGE SYSTEM INSTL		
SHEET: 2 OF 4	ITEM/PART NO: 000245809 / 34795801000	REV

22 E34R

1 30-Apr-2024



4 SINK-GALLEY, DBL, 16X27X7
 000177390 / 333238-01-CHT
 STRAINER
 092303-01-000 (2)
 ANGLE-FORMED, W/SLOT
 140002-01-CHT(10)

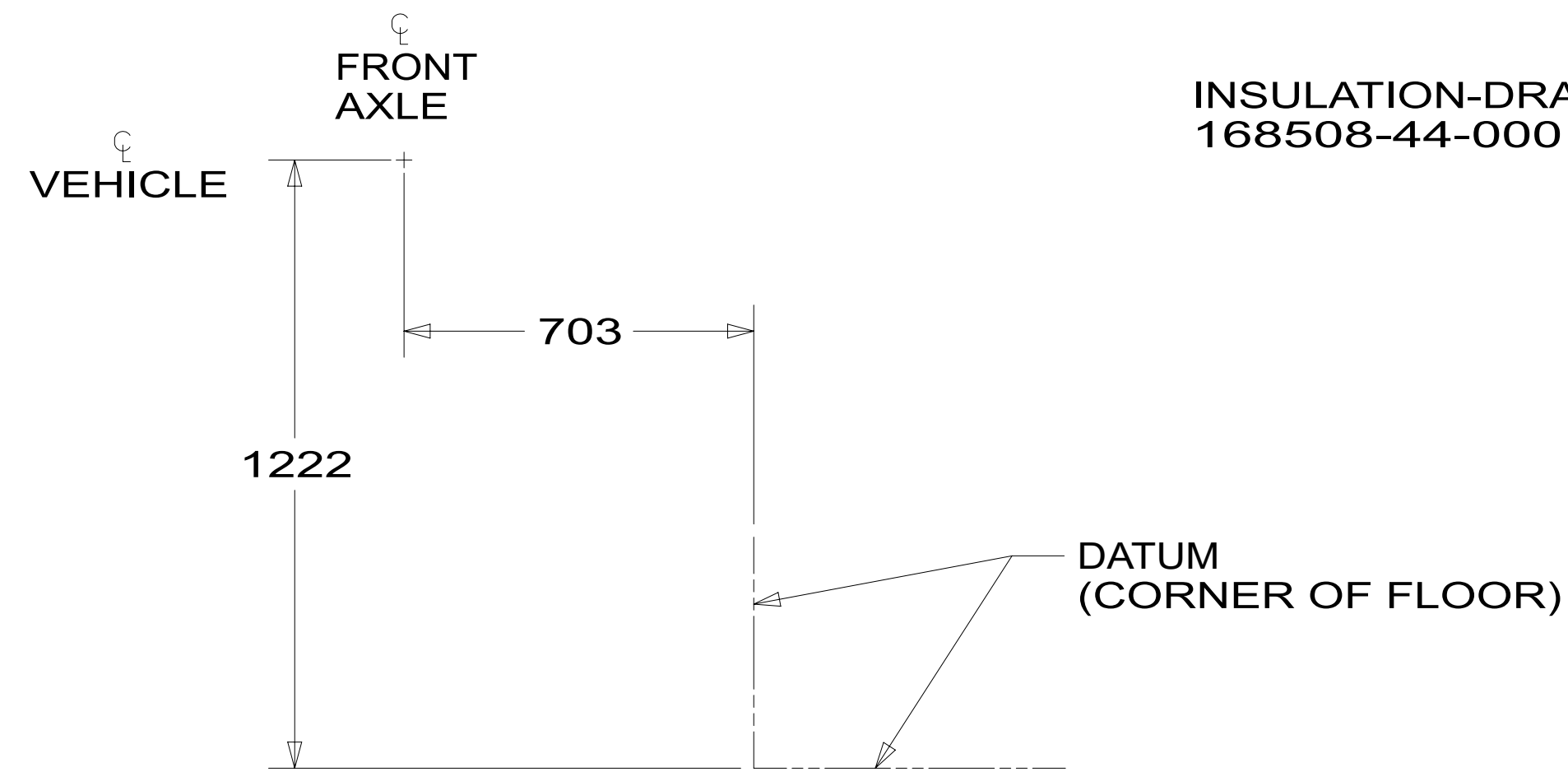
DETAIL CB
 (SHOWN W/O FLOOR & CABINETS)

VIEW CA

22 E34R

DESCRIPTION: DRAINAGE SYSTEM INSTL		
SHEET: 3 OF 4	ITEM/PART NO: 000245809 / 34795801000	REV

1 30-Apr-2024



TANK ASM-HOLDING,42 GAL
000247676 / 348471-01-000

INSULATION-DRAINAGE COMPT,RECT
000257242 / 317684-09-000

SUPPORT ASM
KC 000280772 / 355880-01-CHT

TANK ASM-HOLDING,46 GAL
000247677 / 348472-01-000

PANEL-CLOSEOUT
KC 000272585 / 354301-01-CHT

INSULATION-DRAINAGE COMPT
168508-44-000

BRACKET-ANGLE,W/HOLES KC
094756-02-CHT (2)

SUPPORT-TANK KC
000269659 / 353498-01-CHT

SHOWING TANKS AND DRAINS

5788

DA

PANEL
000256756 / 346221-04-CHT
SCREW
000G11-06-08U (4)

DETAIL DB

PANEL-CLOSEOUT
000272584 / 354300-01-CHT KC

FOAM
130223-16-000 (2)

INSULATION
168508-04-000

INSULATION
168508-04-000

FOAM
130223-28-000

VALVE-3.0 HUBXHUB,REMOTE
129147-01-000

BRACKET-SUPPORT,DUMP VALVE KC
000294140 / 358933-01-CHT

FOAM
130223-04-000

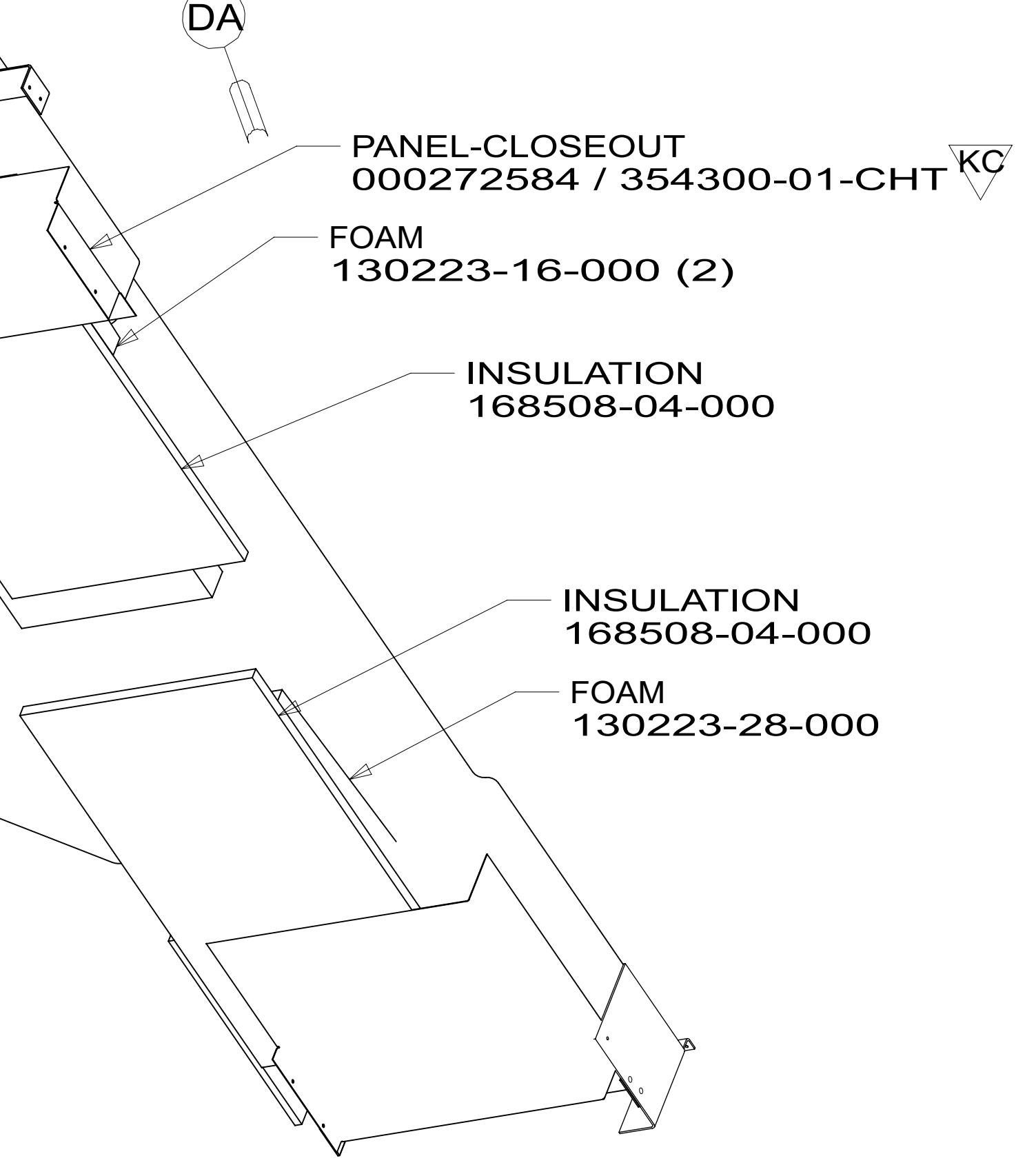
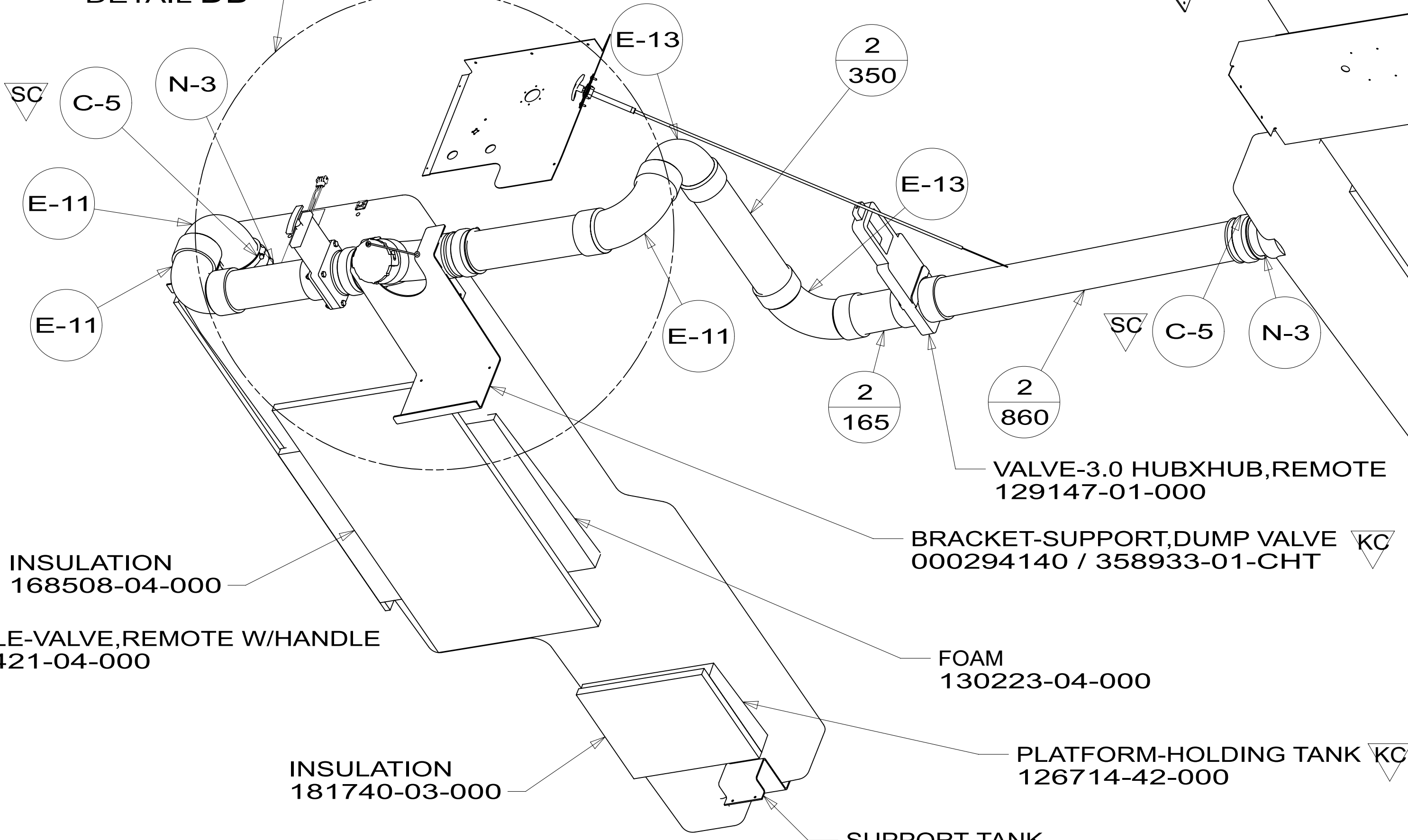
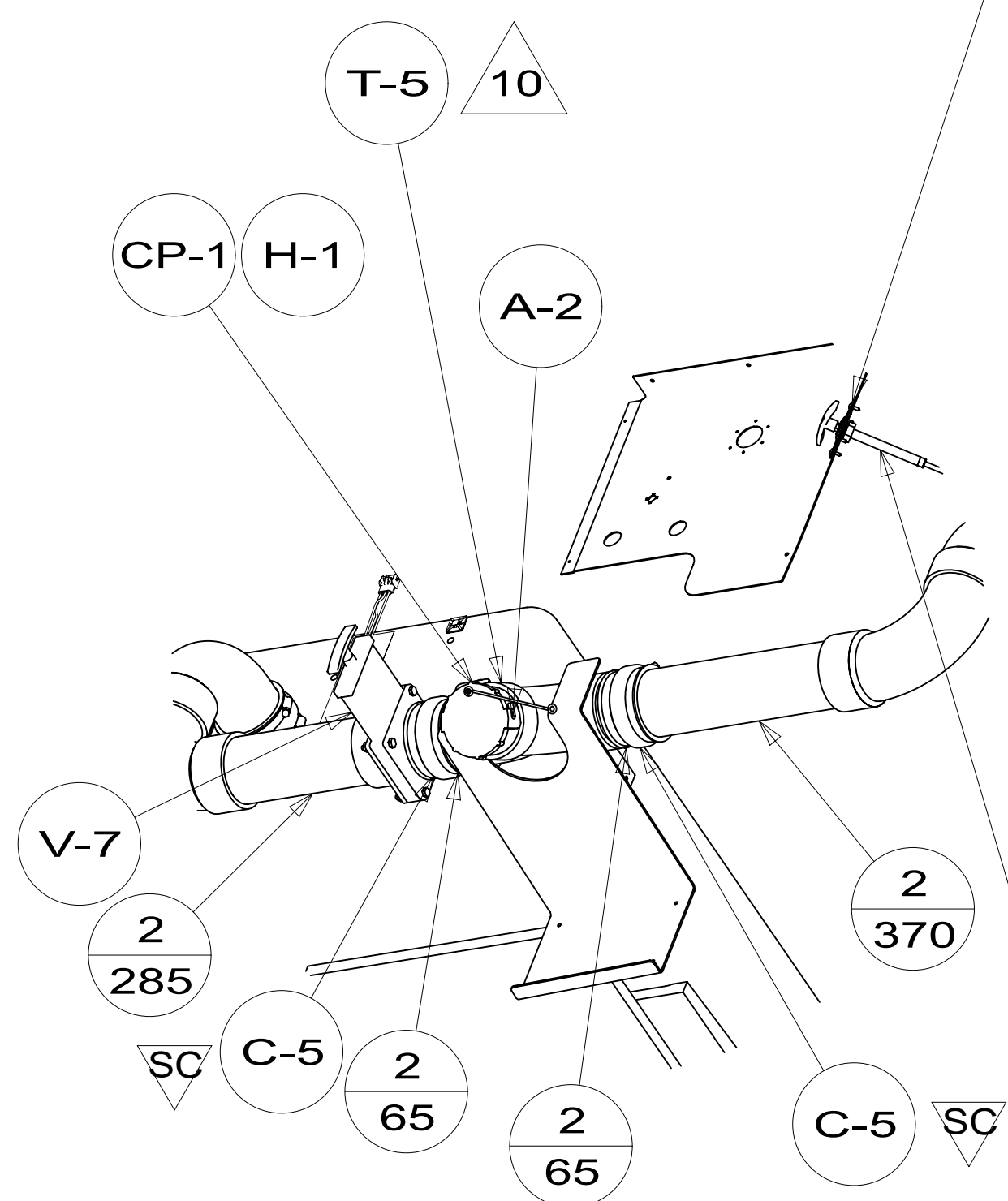
PLATFORM-HOLDING TANK KC
126714-42-000

SUPPORT-TANK
000248386 / 348713-01-CHT KC

INSULATION
168508-04-000

CABLE-VALVE,REMOTE W/HANDLE
062421-04-000

INSULATION
181740-03-000



DETAIL DB

VIEW DA

22 E34R

DESCRIPTION: DRAINAGE SYSTEM INSTL		
SHEET: 4 OF 4	ITEM/PART NO: 000245809 / 34795801000	REV

30-Apr-2024