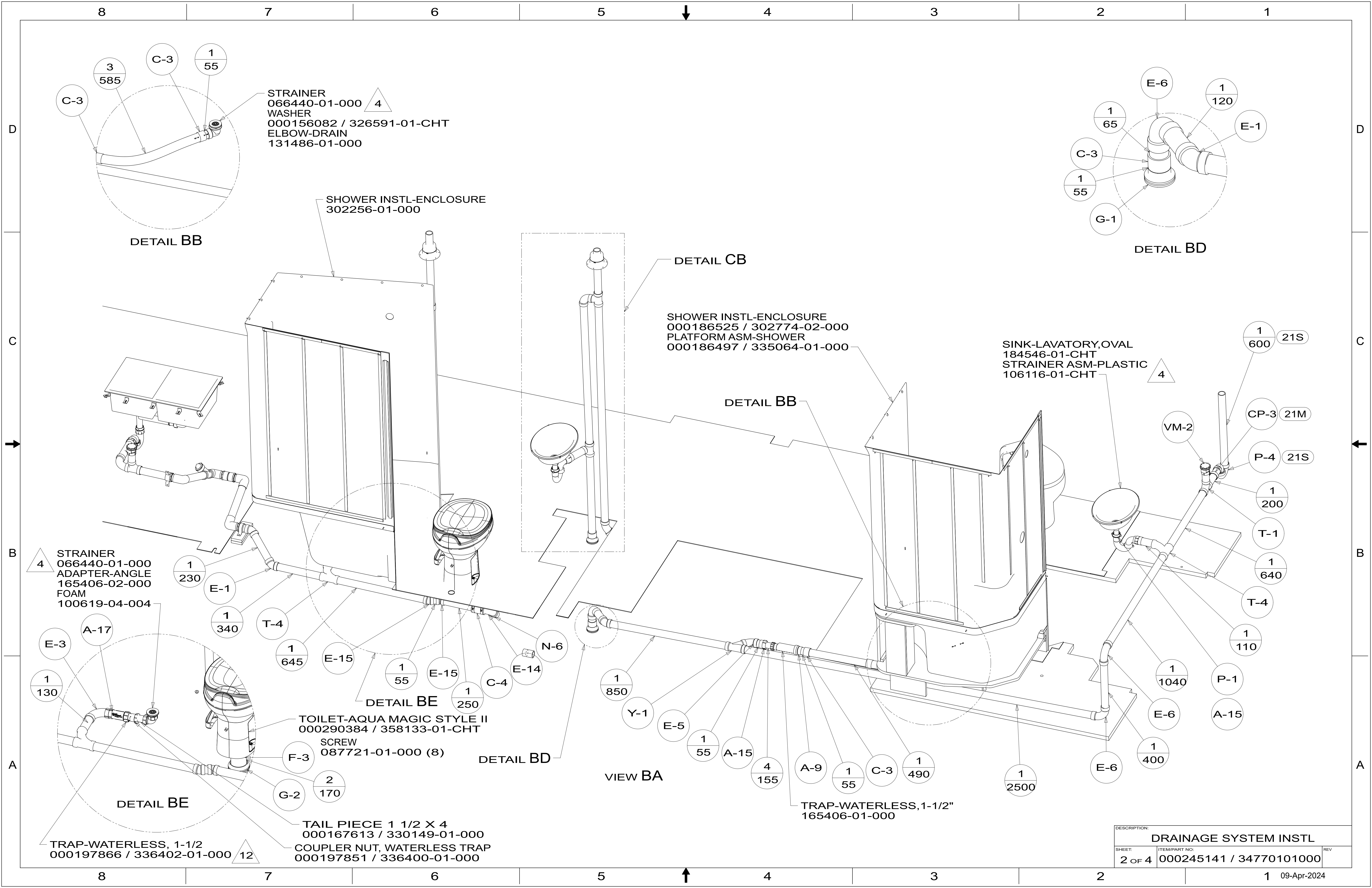


NOTES:

FOR  
DRAINAGE  
CALLOUTS  
SEE DWG NO.  
000211962 /  
303370-01-000

- 21S WASHER & DRYER-PAIR
- 21M WASHER/DRYER PREP

|  |                         |   |                   |
|--|-------------------------|---|-------------------|
| <b>WINNEBAGO</b> <sup>®</sup>                      |                         | COPYRIGHT 2024 WINNEBAGO INDUSTRIES, INC. |                   |
| DSNR:  |                         | ALL DIMENSIONS ARE IN MILLIMETERS         |                   |
| DFTR:  |                         |   |                   |
| UNSPECIFIED TOLERANCES:                            | MATERIAL:               |   |                   |
| WHOLE DIM (X) :                                    | 3                       |   |                   |
| ONE-PLACE (X.X) :                                  | 1.5                     |   |                   |
| TWO-PLACE (X.XX) :                                 | 0.50                    |   |                   |
| ANGLE :  | 1°                      |   |                   |
| REFER TO ES0018 FOR FASTENER TIGHTENING GUIDELINES |                         | WEIGHT: (LBS)                             | FIRST USED: (REF) |
|  |                         |   | 22 L38W           |
| <b>DESCRIPTION:</b>                                |                         |   |                   |
| <b>DRAINAGE SYSTEM INSTL</b>                       |                         |   |                   |
| SHEET:   | ITEM/PART NO.:          | REV:                                      |                   |
| 1 OF 4   | 000245141 / 34770101000 |   |                   |
| REF:   |                         | 1 09-Apr-2024                             |                   |



STRAINER  
066440-01-000 4  
WASHER  
000156082 / 326591-01-CHT  
ELBOW-DRAIN  
131486-01-000

SHOWER INSTL-ENCLOSURE  
302256-01-000

SHOWER INSTL-ENCLOSURE  
000186525 / 302774-02-000  
PLATFORM ASM-SHOWER  
000186497 / 335064-01-000

SINK-LAVATORY, OVAL  
184546-01-CHT  
STRAINER ASM-PLASTIC  
106116-01-CHT 4

4 STRAINER  
066440-01-000  
ADAPTER-ANGLE  
165406-02-000  
FOAM  
100619-04-004

TOILET-AQUA MAGIC STYLE II  
000290384 / 358133-01-CHT

SCREW  
087721-01-000 (8)

TRAP-WATERLESS, 1-1/2  
000197866 / 336402-01-000 12

TAIL PIECE 1 1/2 X 4  
000167613 / 330149-01-000

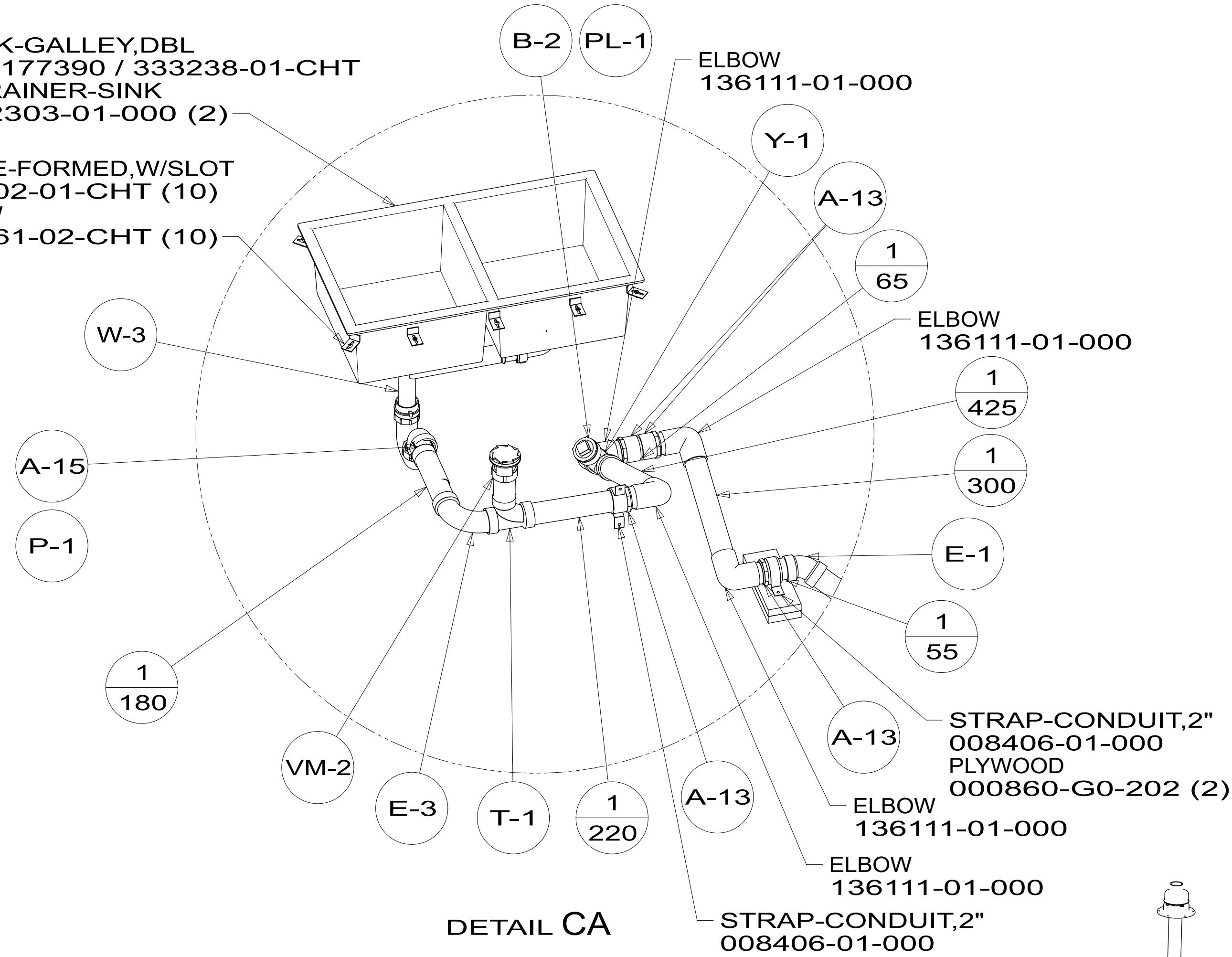
COUPLER NUT, WATERLESS TRAP  
000197851 / 336400-01-000

TRAP-WATERLESS, 1-1/2"  
165406-01-000

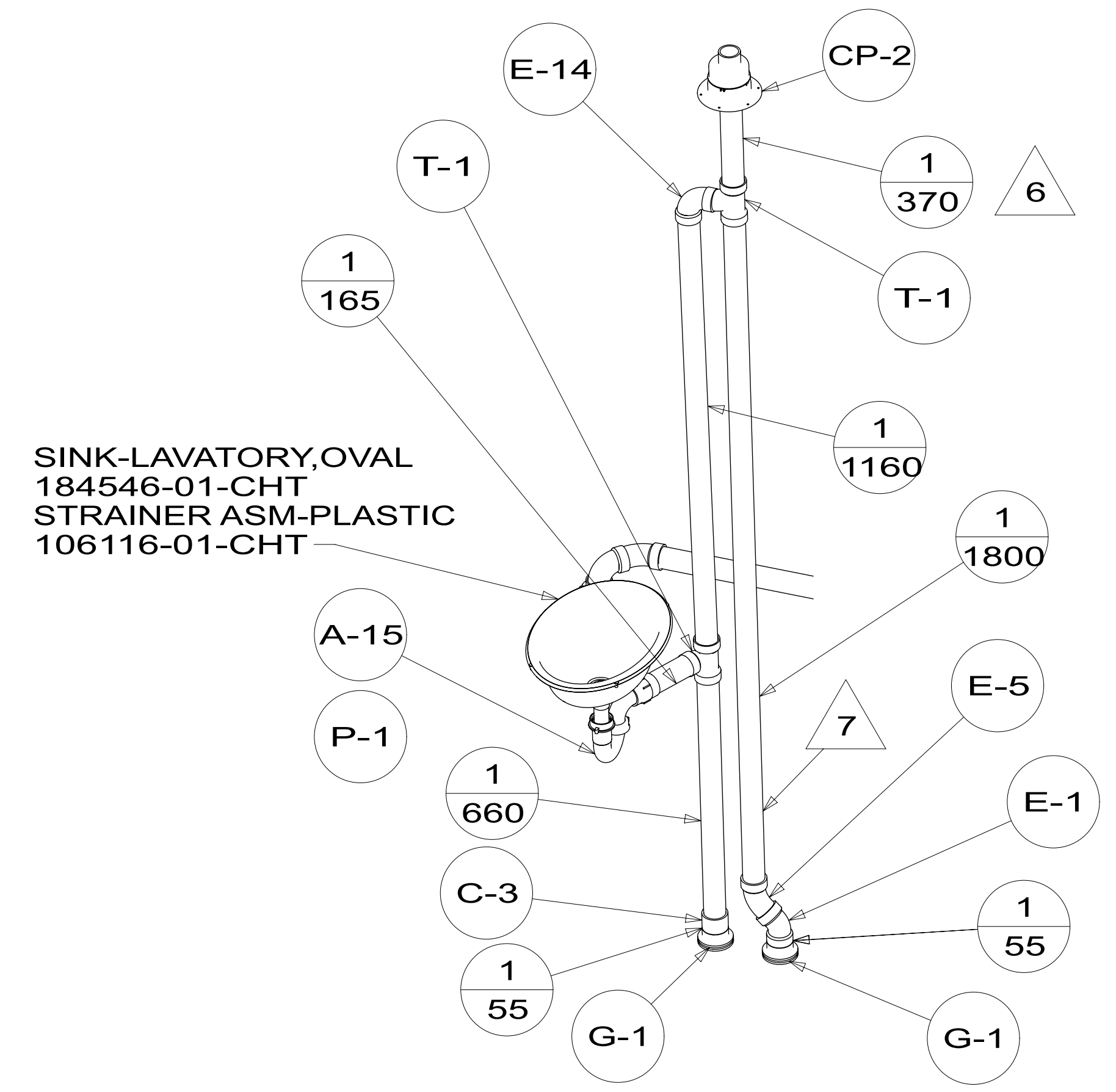
|  |  |     |
|--|--|-----|
| DESCRIPTION:<br><b>DRAINAGE SYSTEM INSTL</b> |  |     |
| SHEET:<br>2 OF 4                             | ITEM/PART NO:<br>000245141 / 34770101000 | REV |

SINK-GALLEY,DBL  
000177390 / 333238-01-CHT  
STRAINER-SINK  
092303-01-000 (2)

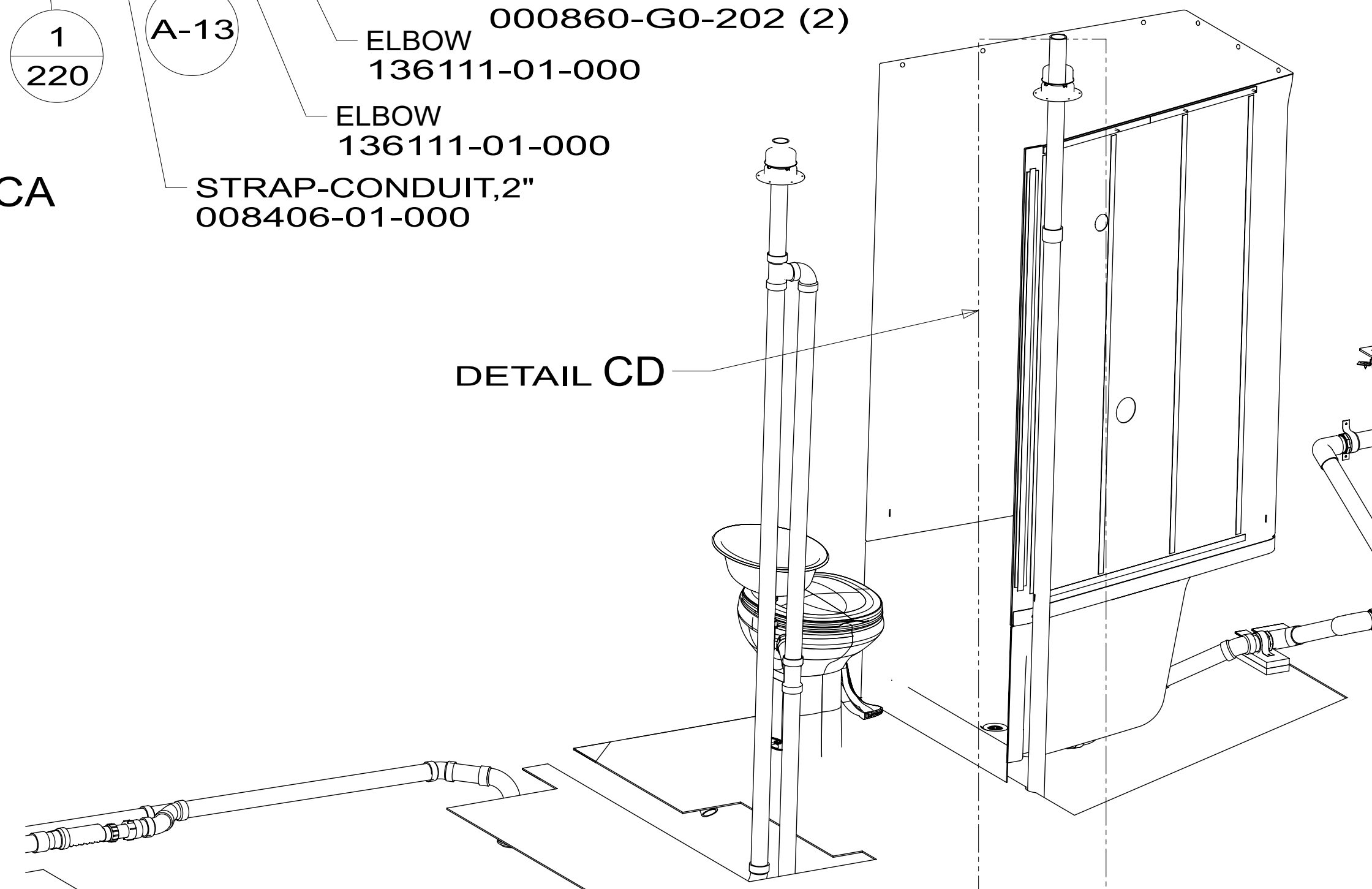
ANGLE-FORMED,W/SLOT  
140002-01-CHT (10)  
SCREW  
142261-02-CHT (10)



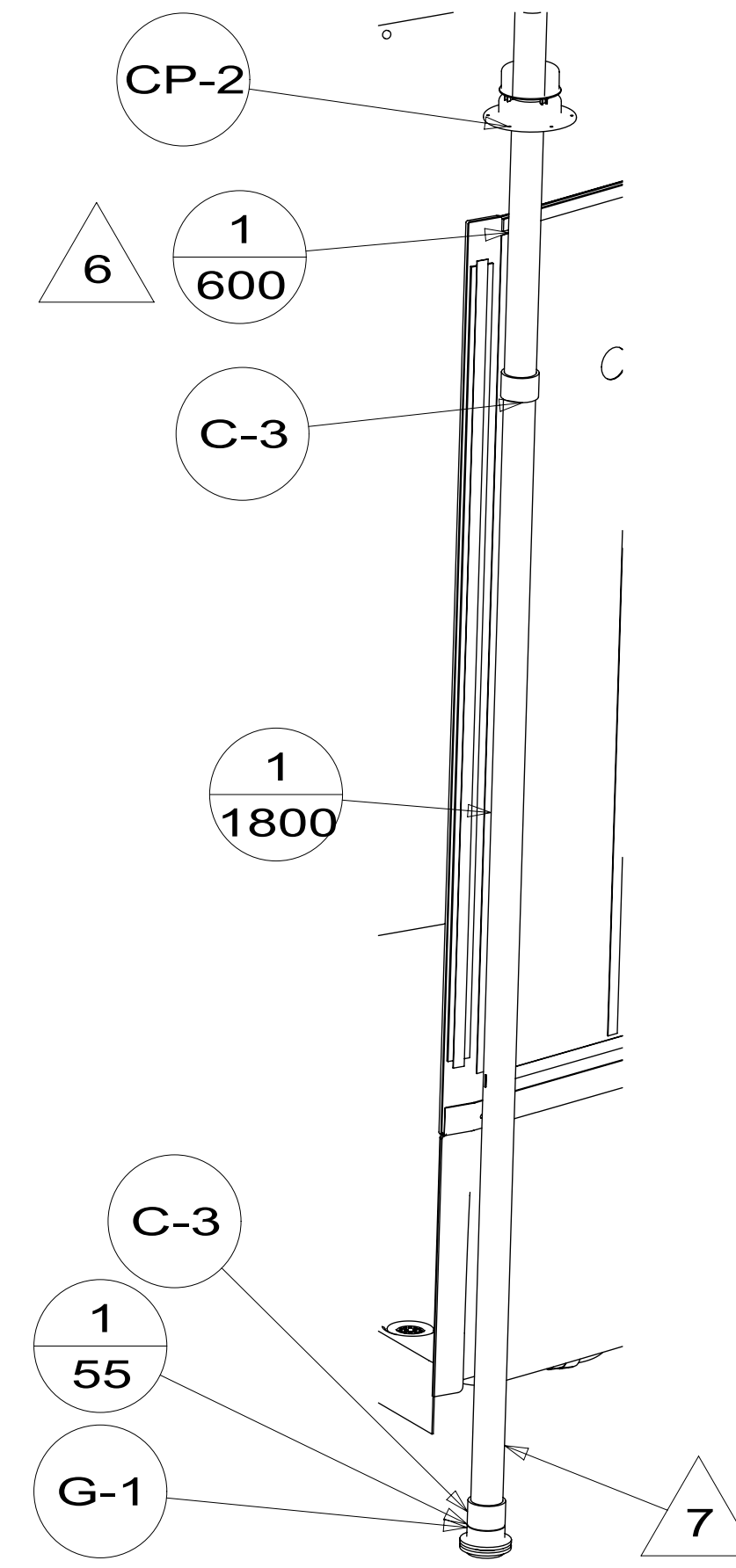
DETAIL CA



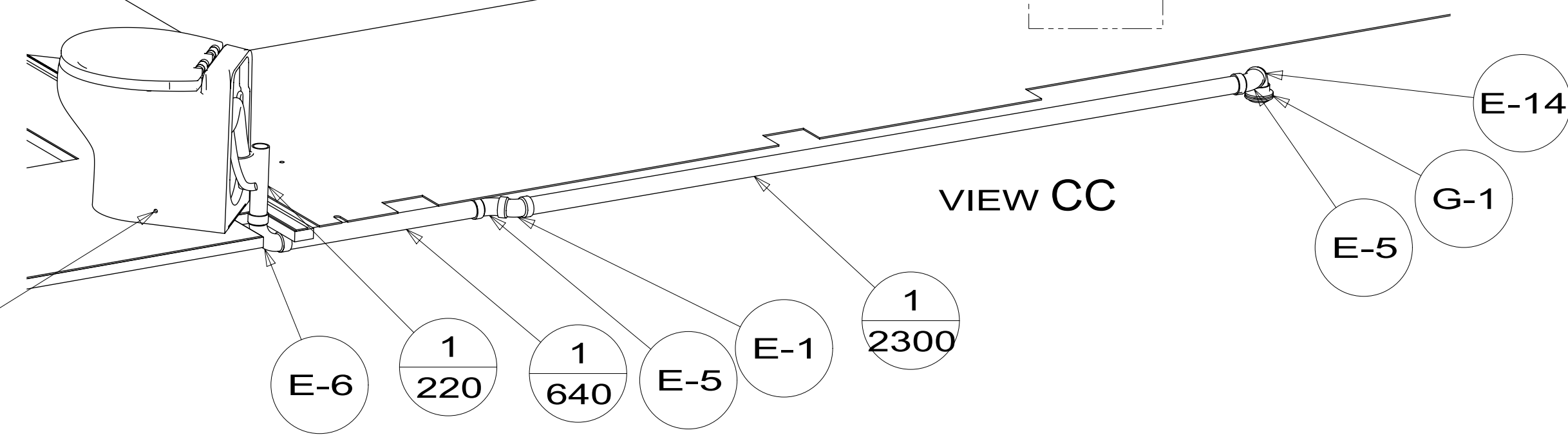
DETAIL CB



DETAIL CD



DETAIL CD



VIEW CC

13 TOILET KIT-TECMA,MACERATOR  
000157148 / 326919-01-CHT  
BRACKET-TOILET  
000157535 / 327029-01-CHT  
SCREW  
000G42-04-24U (2)  
SCREW  
000G11-08-06U (2)

|  |  |     |
|--|--|-----|
| DESCRIPTION:<br><b>DRAINAGE SYSTEM INSTL</b> |  |     |
| SHEET:<br>3 OF 4                             | ITEM/PART NO:<br>000245141 / 34770101000 | REV |

