

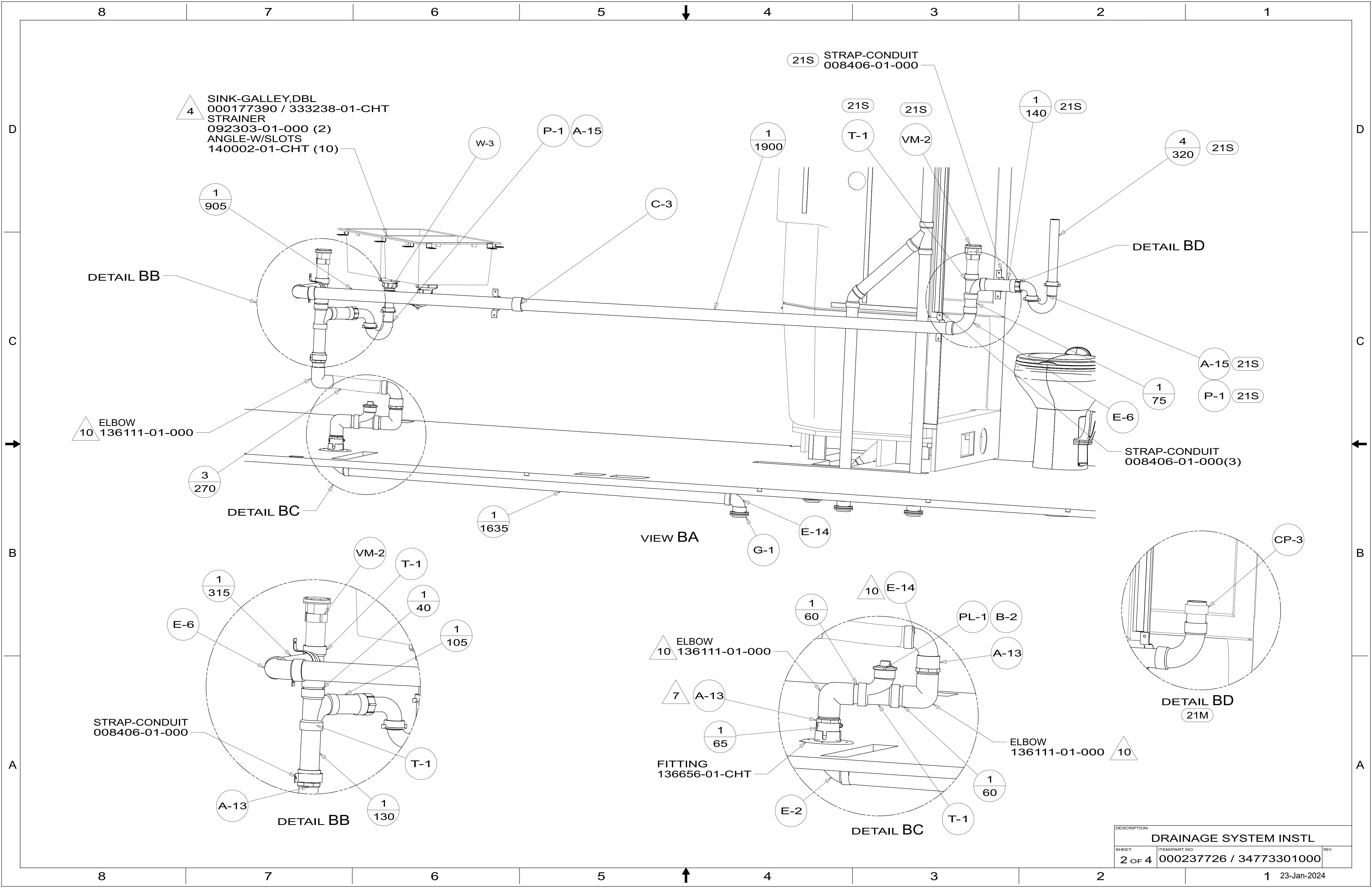
- 12. REQUIRES 5 GALLONS RV ANTIFREEZE 182955-01-000 PER TOLIET. FOLLOW TECMA TOLIET WINTERIZATION PROCEDURE.
- 11. GLUE FITTING AFTER CABINET IS INSTALLED.
- 10. APPLY PRIMER 126427-02-000 AND CEMENT 126427-01-000 BETWEEN ELBOW AND FLEX PIPE.
- 9. SEE DRAWING 061607 FOR INSTALLATION OF GROMMETS.
- 8. SECURE DRAINAGE PIPES TO CABINET USING WIRE TIE 108046-02-000, AND SCREW 000G67-10-12U AT INTERVALS OF NOT OF NOT MORE THAN 4 FEET APART.
- 7. SECURE VENT PIPE TO GROMMET WITH CLAMP 000156237 / 326663-02-000.
- 6. VENT PIPE MUST PROJECT 51 MIN AND 64 MAX ABOVE ROOF FOR PROPER FIT AND FUNCTION. ADD S-1 (000156099 / 326607-01-CHT SEAL-VENT PIPE) AROUND PIPE ON ROOF BEFORE VENT CAP IS INSTALLED.
- 5. SEAL AROUND SHOWER WITH SILICONE.
- 4. USE SMOOTH PLUMBERS PUTTY 167459-01-000 TO SEAL STRAINER (0.2 PER STRAINER).
- 3. ALL PIPE AND FITTINGS TO BE ASSEMBLED WITH SOLVENT 004020-01-000 (USA), 004020-02-000 (CAN)
- 2. SLOPE OF TRAP ARM MUST BE 6 PER 305 mm.
- 1. SLOPE OF HORIZONTAL PIPING TO BE MINIMUM OF 3 PER 305 mm.

- 21S WASHER/DRYER STACKED
- 21M WASHER/DRYER PREP

WINNEBAGO
COPYRIGHT 2024 WINNEBAGO INDUSTRIES, INC.

DSNR:		ALL DIMENSIONS ARE IN MILLIMETERS	
DFTR:			
UNSPECIFIED TOLERANCES:	MATERIAL:		
WHOLE DIM (X) :	3		
ONE-PLACE (X.X) :	1.5		
TWO-PLACE (X.XX) :	0.50		
ANGLE :	1°		
REFER TO ES0018 FOR FASTENER TIGHTENING GUIDELINES	WEIGHT: (LBS)	FIRST USED: (REF)	
		22 L36H	
DESCRIPTION:			
DRAINAGE SYSTEM INSTL			
SHEET:	ITEM/PART NO.:	REV	
1 OF 4	000237726 / 34773301000		

X-X
FOR DRAINAGE CALLOUTS SEE DWG NO. 000211962 / 303370-01-000



4 SINK-GALLEY, DBL
 000177390 / 333238-01-CHT
 STRAINER
 092303-01-000 (2)
 ANGLE-W/SLOTS
 140002-01-CHT (10)

21S STRAP-CONDUIT
 008406-01-000

DETAIL BB

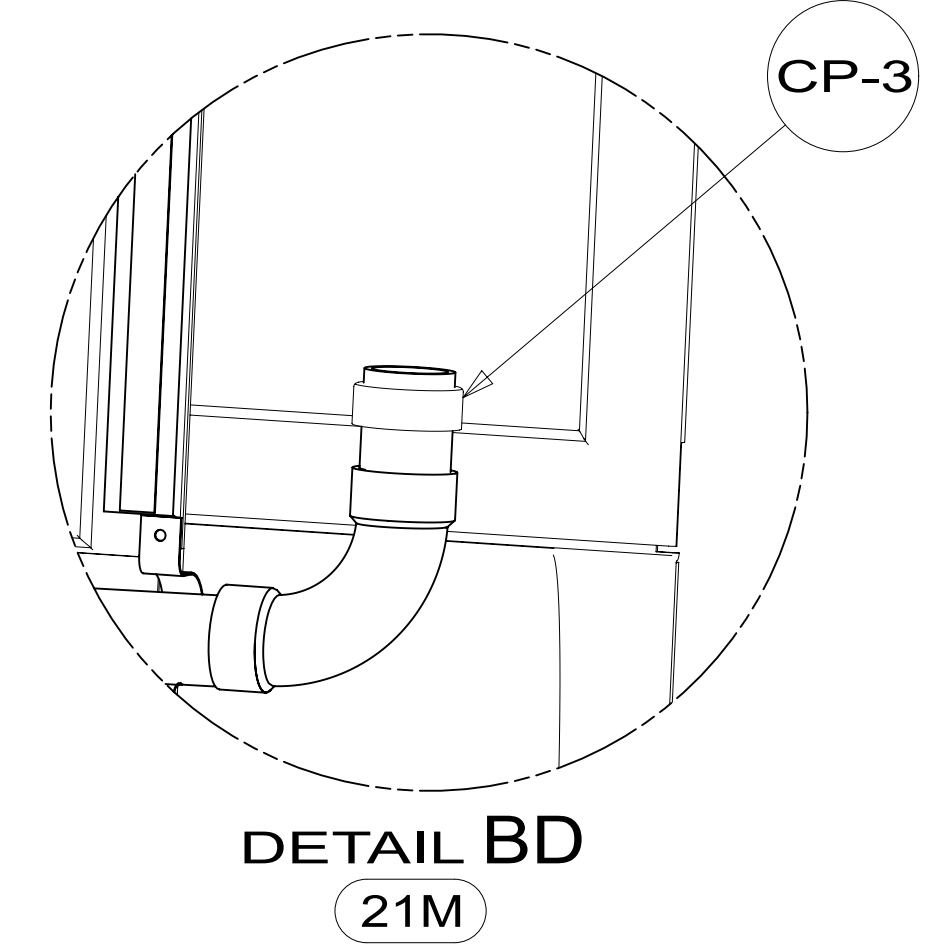
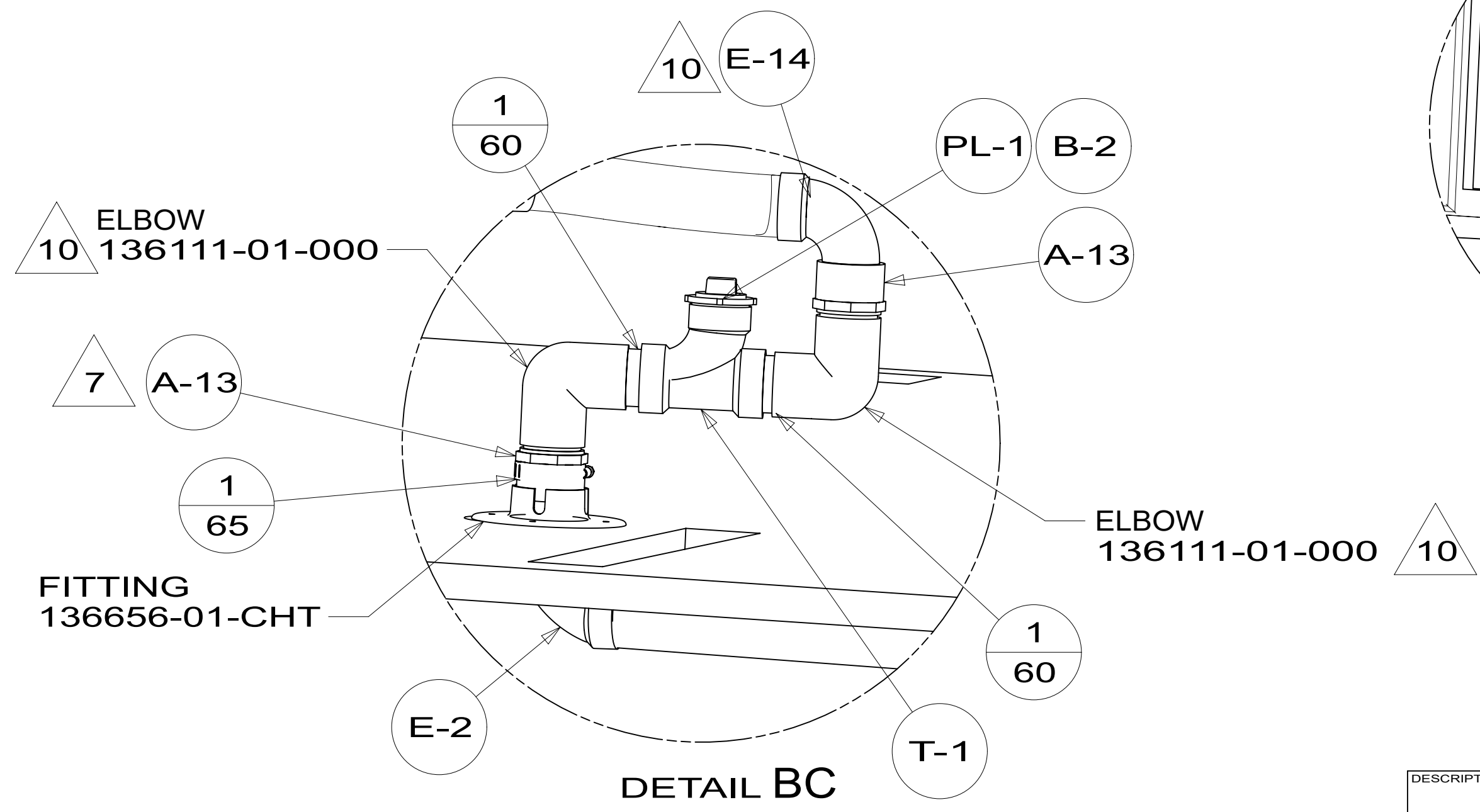
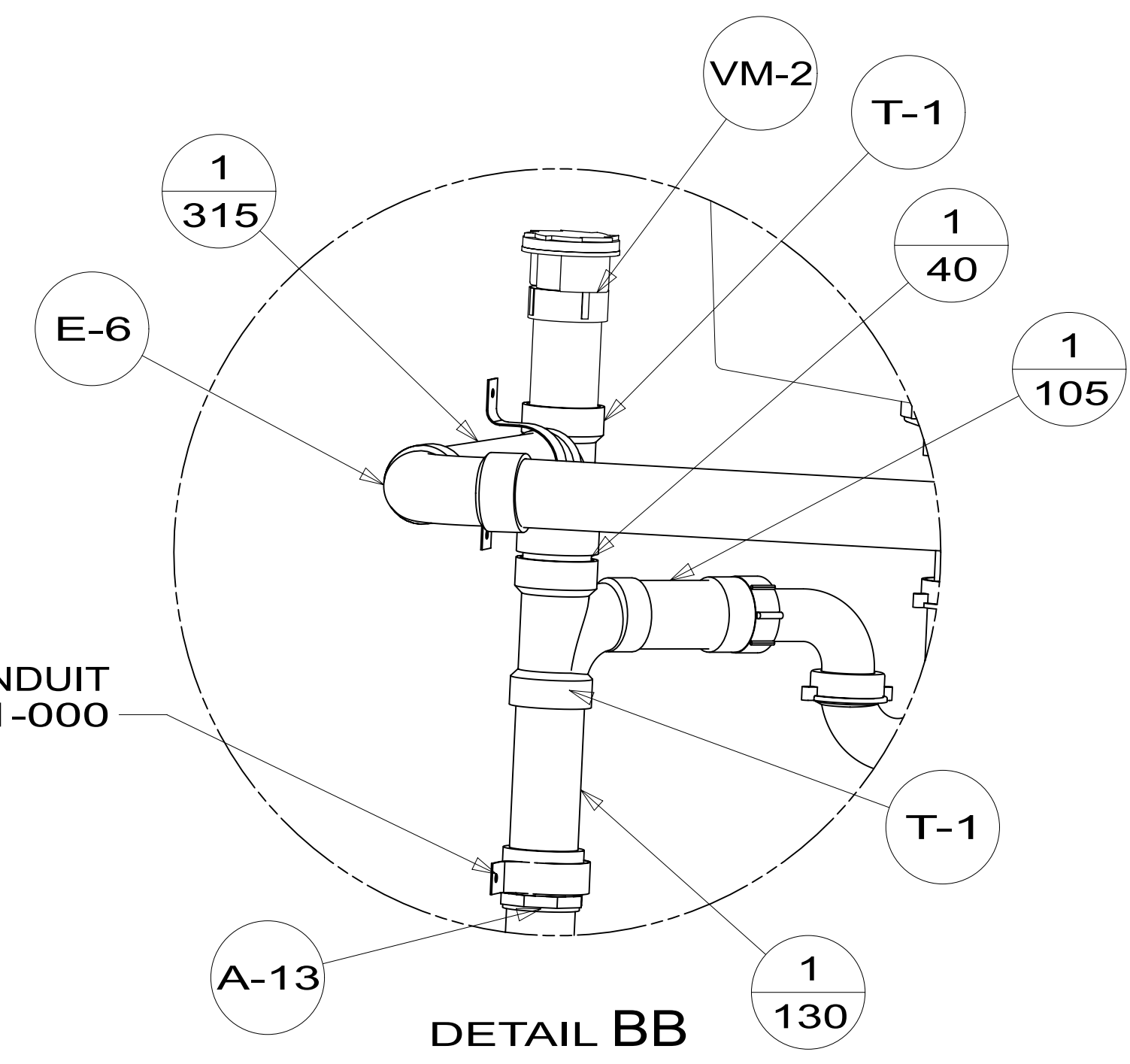
DETAIL BD

10 ELBOW
 136111-01-000

DETAIL BC

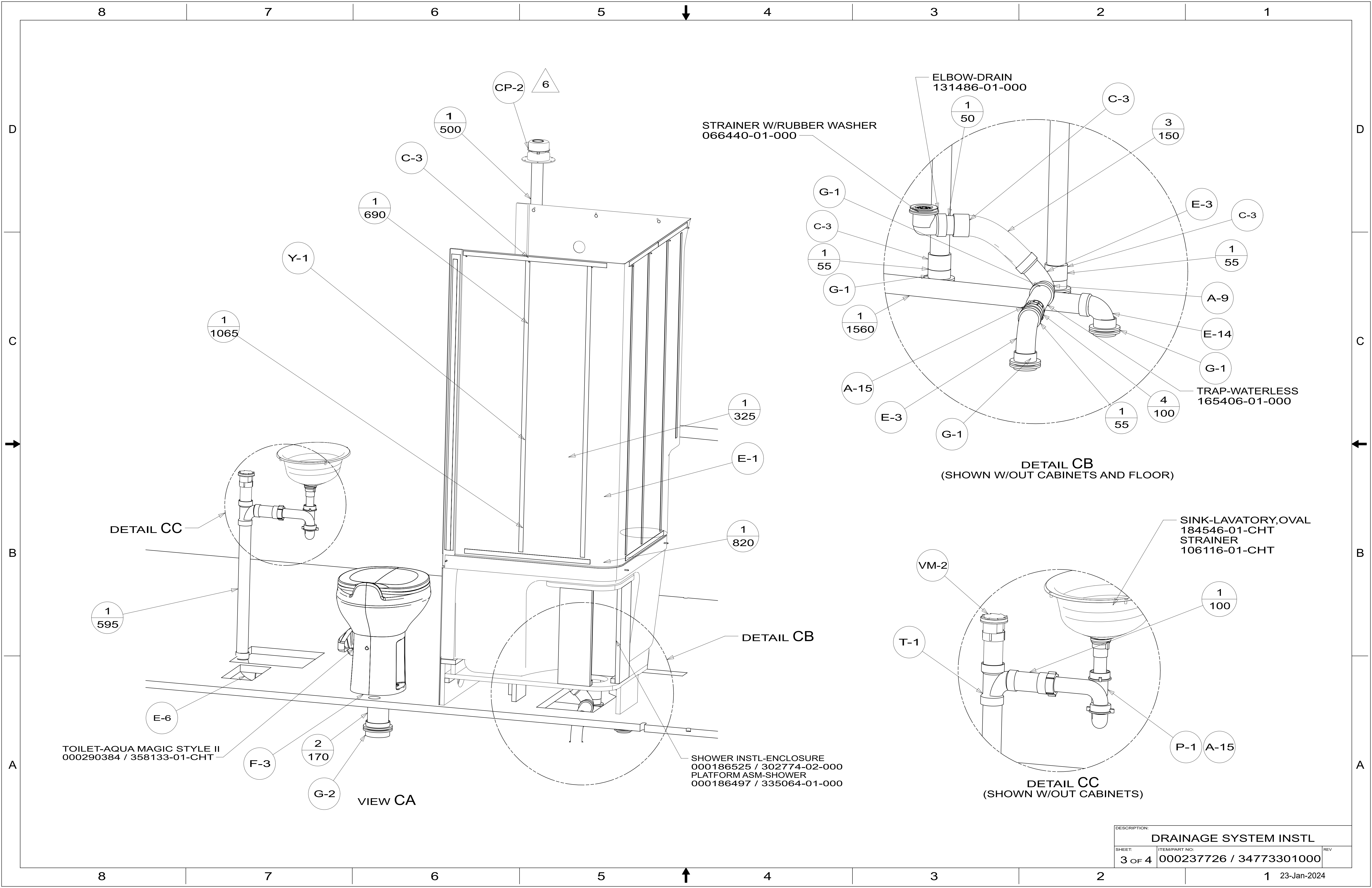
VIEW BA

STRAP-CONDUIT
 008406-01-000(3)



DESCRIPTION:		
DRAINAGE SYSTEM INSTL		
SHEET:	ITEM/PART NO.:	REV
2 OF 4	000237726 / 34773301000	

1 23-Jan-2024



STRAINER W/RUBBER WASHER
066440-01-000

ELBOW-DRAIN
131486-01-000

DETAIL CB
(SHOWN W/OUT CABINETS AND FLOOR)

DETAIL CC

DETAIL CB

DETAIL CC
(SHOWN W/OUT CABINETS)

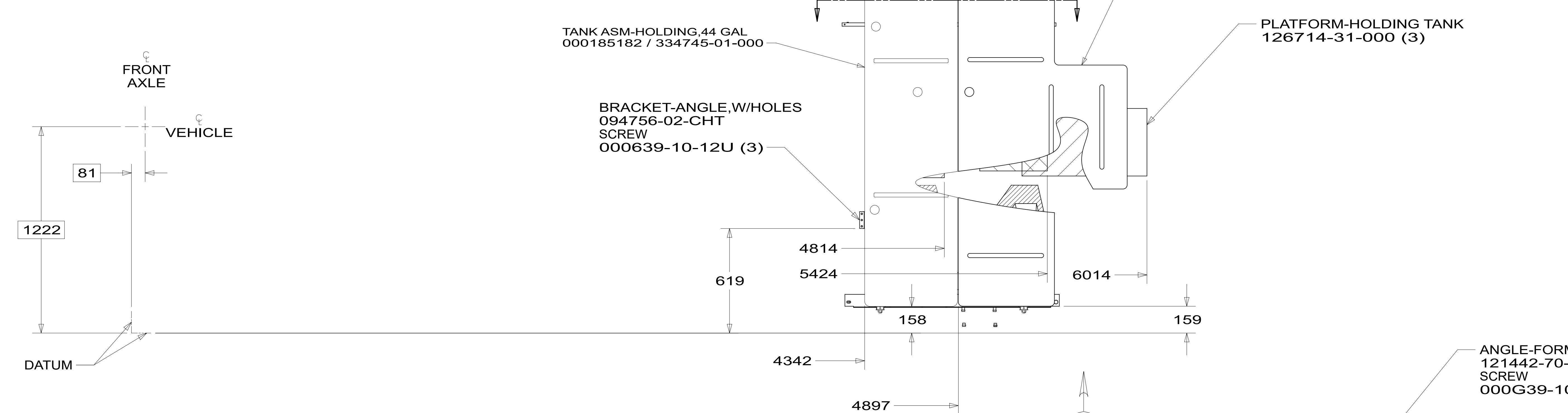
TOILET-AQUA MAGIC STYLE II
000290384 / 358133-01-CHT

SHOWER INSTL-ENCLOSURE
000186525 / 302774-02-000
PLATFORM ASM-SHOWER
000186497 / 335064-01-000

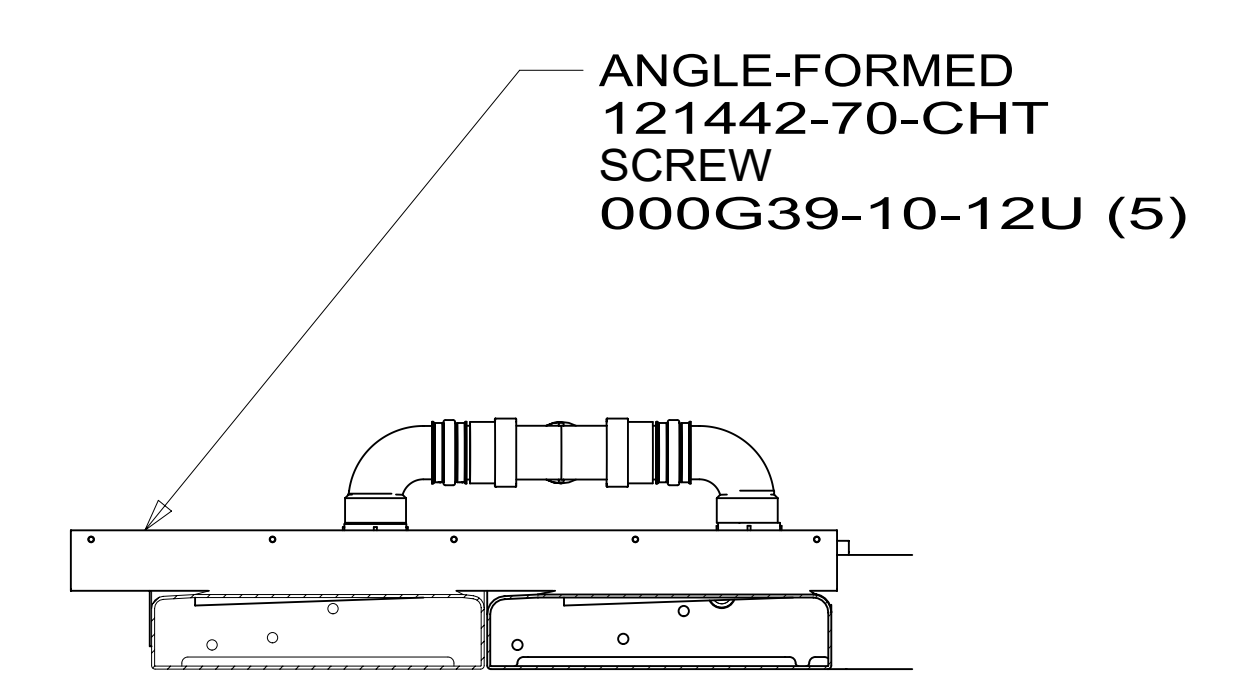
SINK-LAVATORY, OVAL
184546-01-CHT
STRAINER
106116-01-CHT

DESCRIPTION: DRAINAGE SYSTEM INSTL		
SHEET: 3 OF 4	ITEM/PART NO: 000237726 / 34773301000	REV

8 7 6 5 4 3 2 1

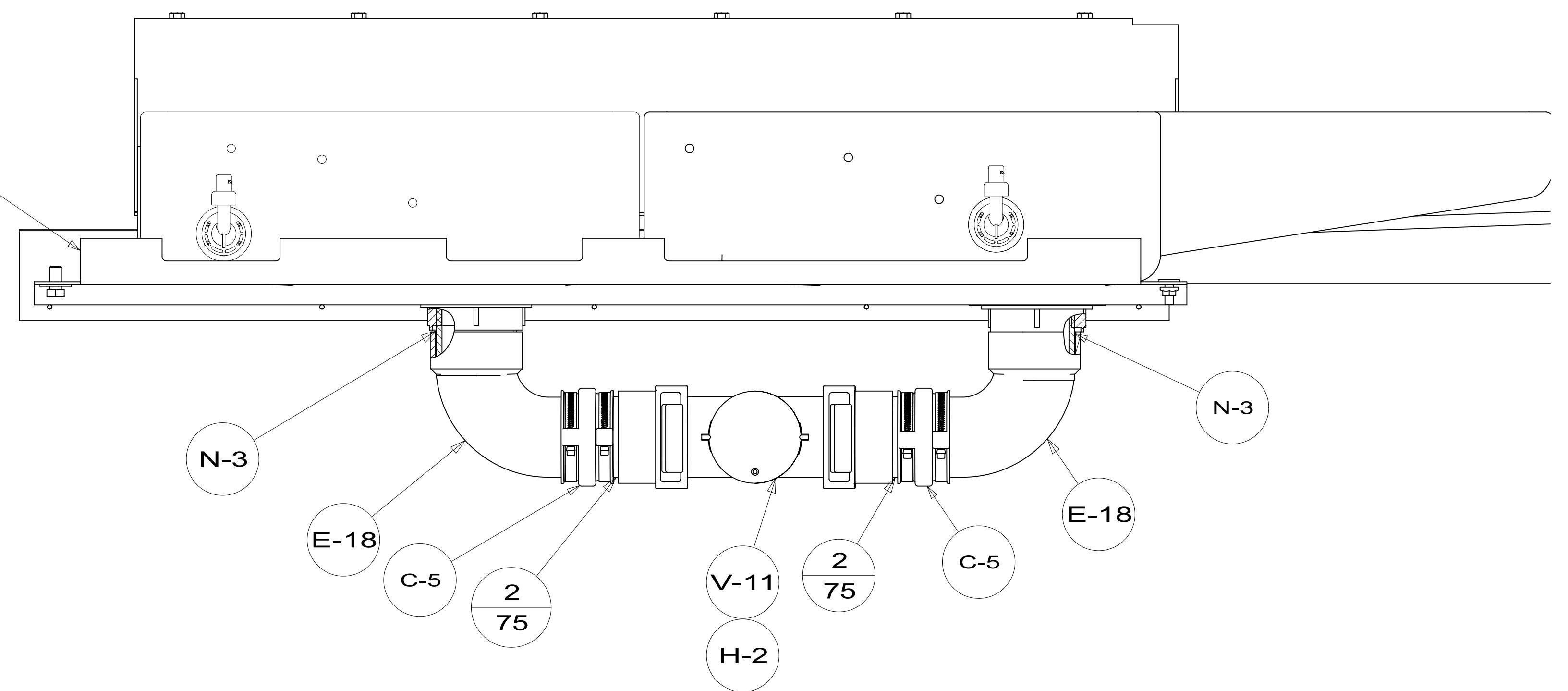


TOP VIEW SHOWING TANKS AND DRAINS



SECTION DB-DB

- BRACKET ASM-SUPPORT, TANK
000187039 / 335185-01-CHT
- BOLT
000C12-08-16U (2)
- WASHER-LOCK
000E11-08-00U (2)
- WASHER
000E13-22-00U (2)
- NUT
000D39-06-00U (2)



VIEW DA

DESCRIPTION: DRAINAGE SYSTEM INSTL		
SHEET: 4 OF 4	ITEM/PART NO: 000237726 / 34773301000	REV

8 7 6 5 4 3 2 1 23-Jan-2024