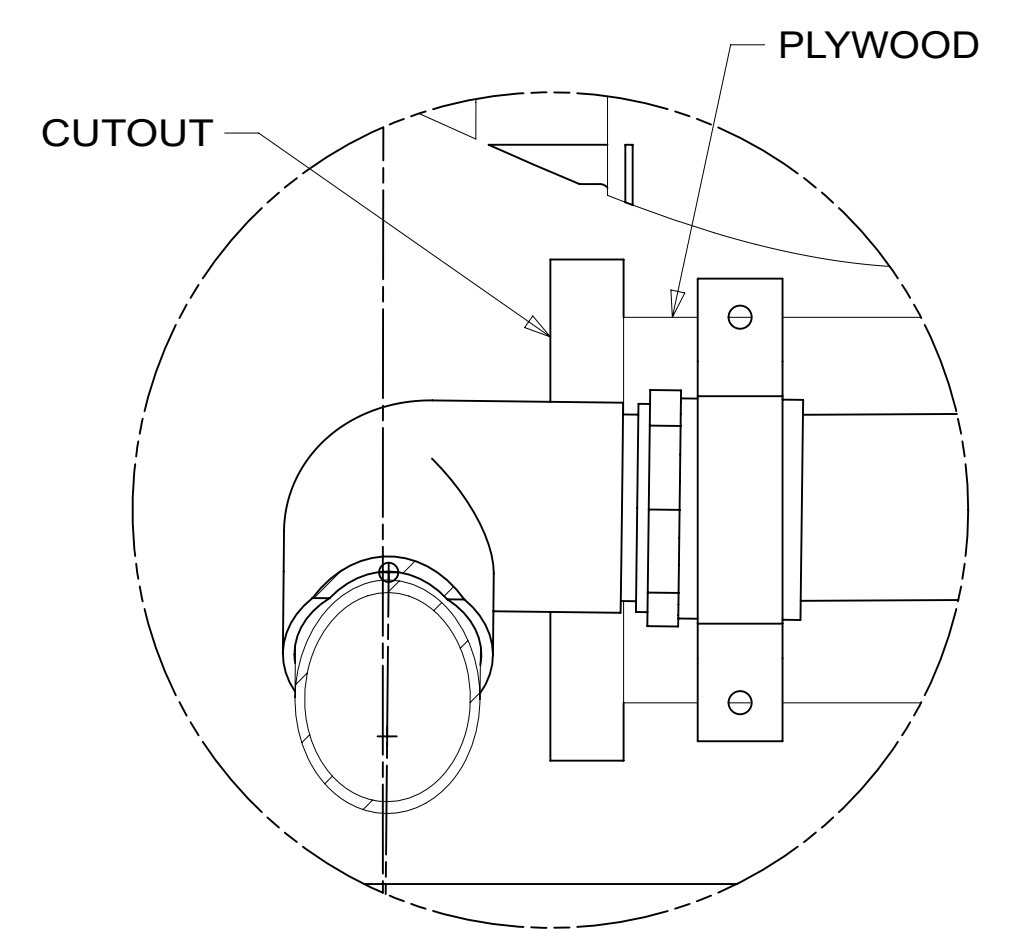


- 9. SEE DRAWING 061607 FOR INSTALLATION OF GROMMETS.
- 8. SECURE DRAINAGE PIPES TO CABINET USING WIRE TIE 108046-02-000, AND SCREW 000G67-10-12U AT INTERVALS OF NOT OF NOT MORE THAN 4 FEET APART.
- 7. SECURE VENT PIPE TO GROMMET WITH CLAMP 000156237 / 326663-02-000.
- 6. VENT PIPE MUST PROJECT 51 MIN AND 64 MAX ABOVE ROOF FOR PROPER FIT AND FUNCTION. ADD S-1 (000156099 / 326607-01-CHT SEAL-VENT PIPE) AROUND PIPE ON ROOF BEFORE VENT CAP IS INSTALLED.
- 5. SEAL AROUND SHOWER WITH SILICONE.
- 4. USE SMOOTH PLUMBERS PUTTY 167459-01-000 TO SEAL STRAINER (0.2 PER STRAINER).
- 3. ALL PIPE AND FITTINGS TO BE ASSEMBLED WITH SOLVENT 004020-01-000 (USA), 004020-02-000 (CAN)
- 2. SLOPE OF TRAP ARM MUST BE 6 PER 305 mm.
- 1. SLOPE OF HORIZONTAL PIPING TO BE MINIMUM OF 3 PER 305 mm.

NOTES:



DETAIL CD
(LINE UP PLYWOOD
W/CUTOUT IN FLOOR)

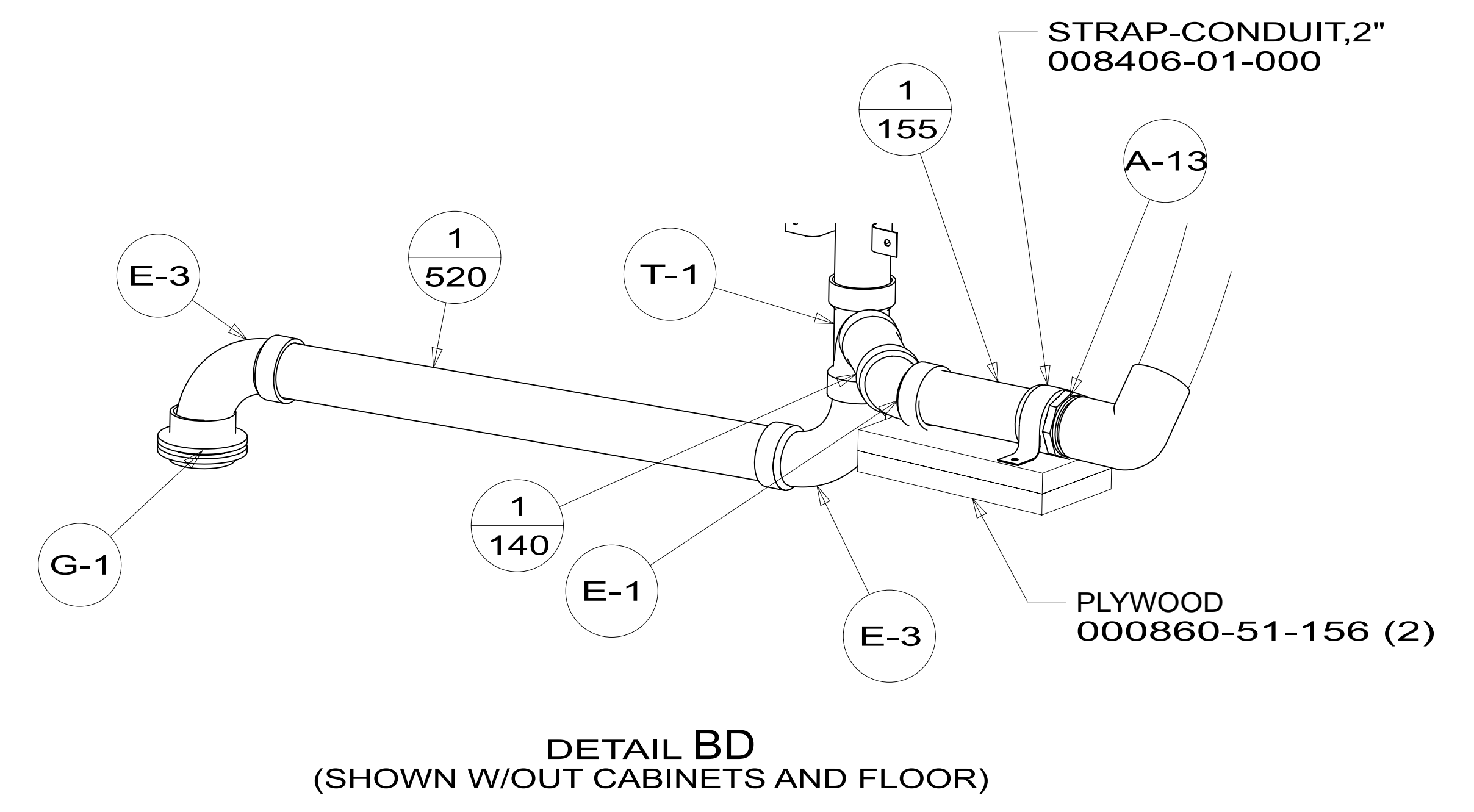
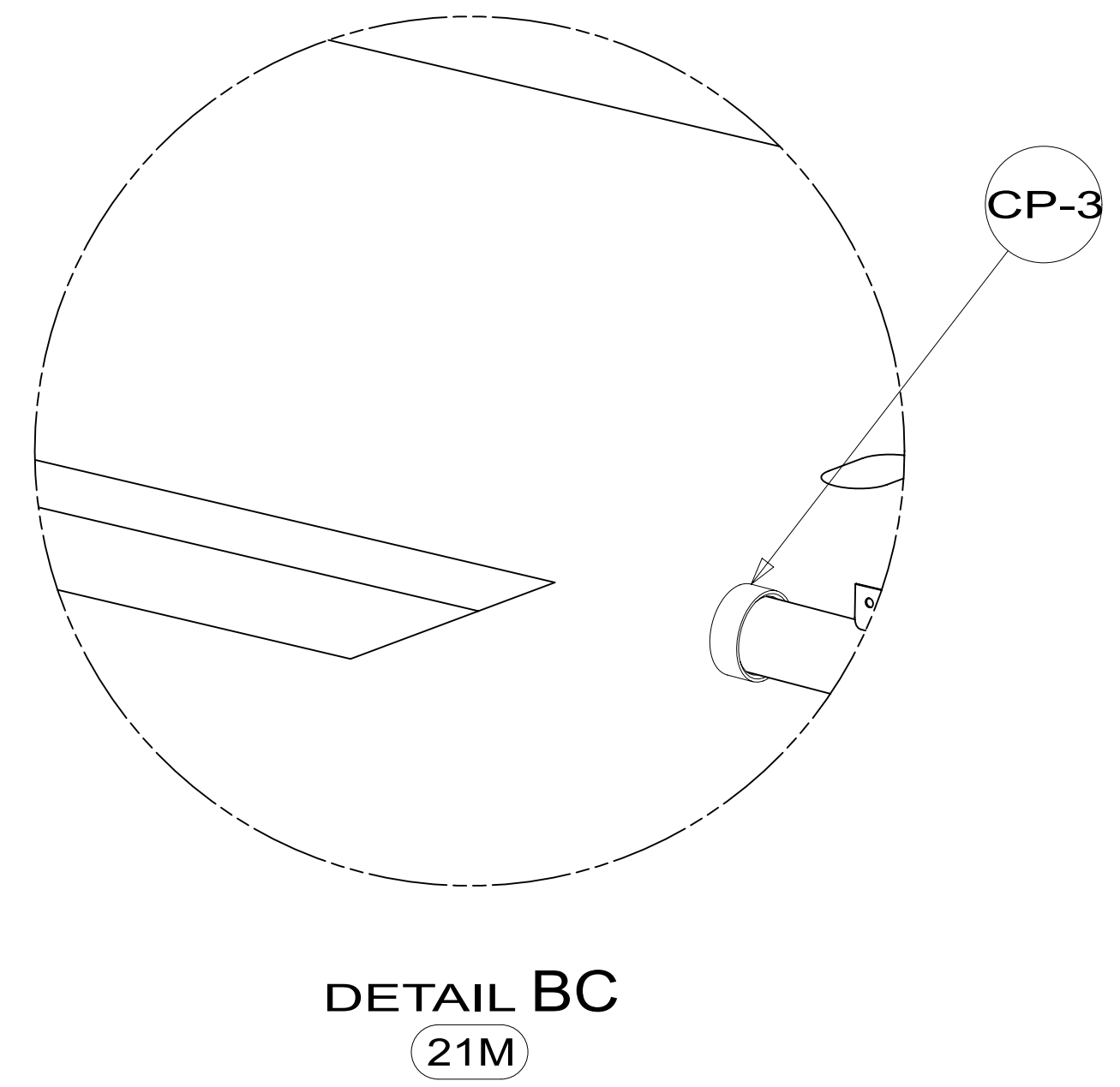
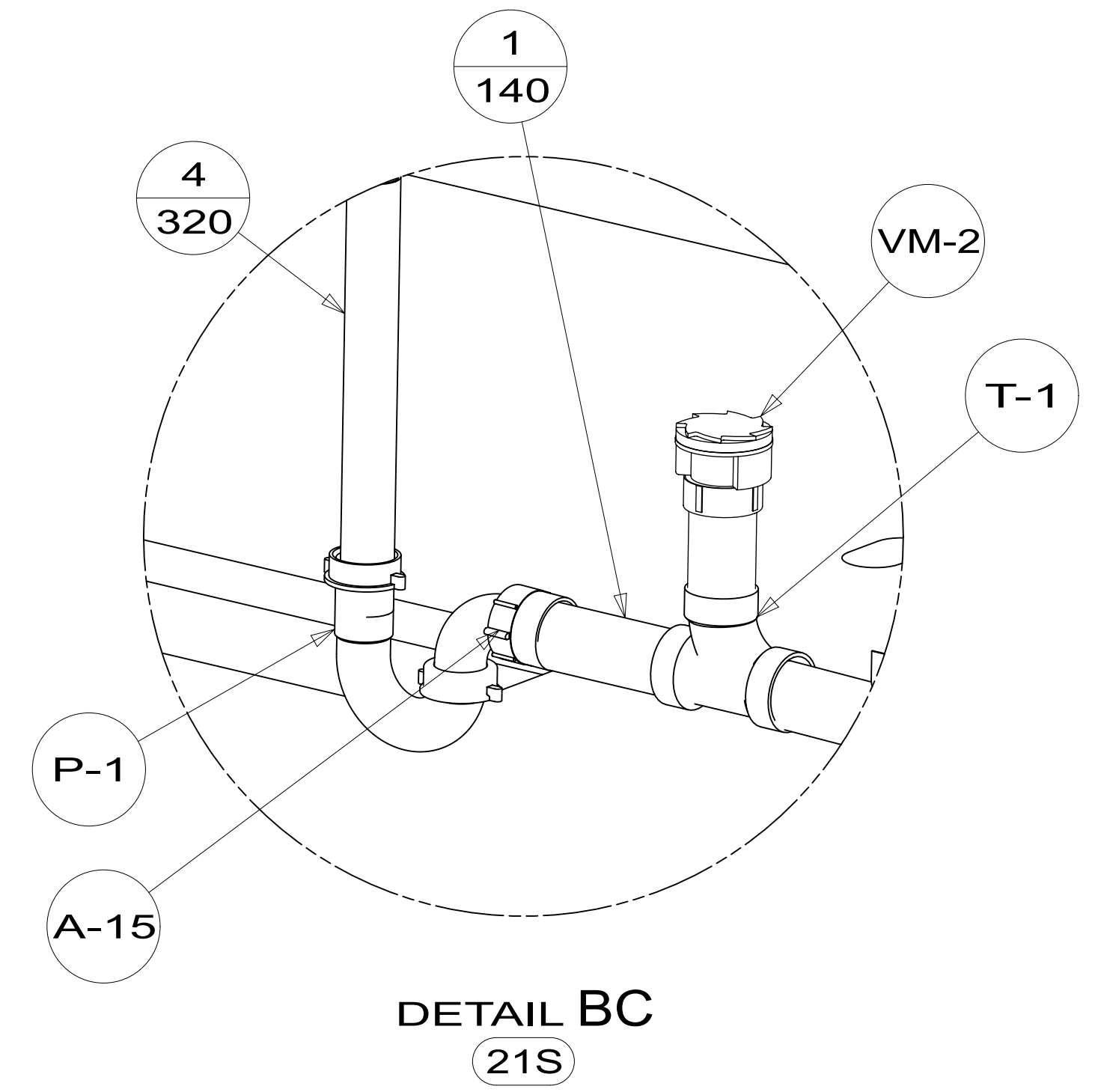
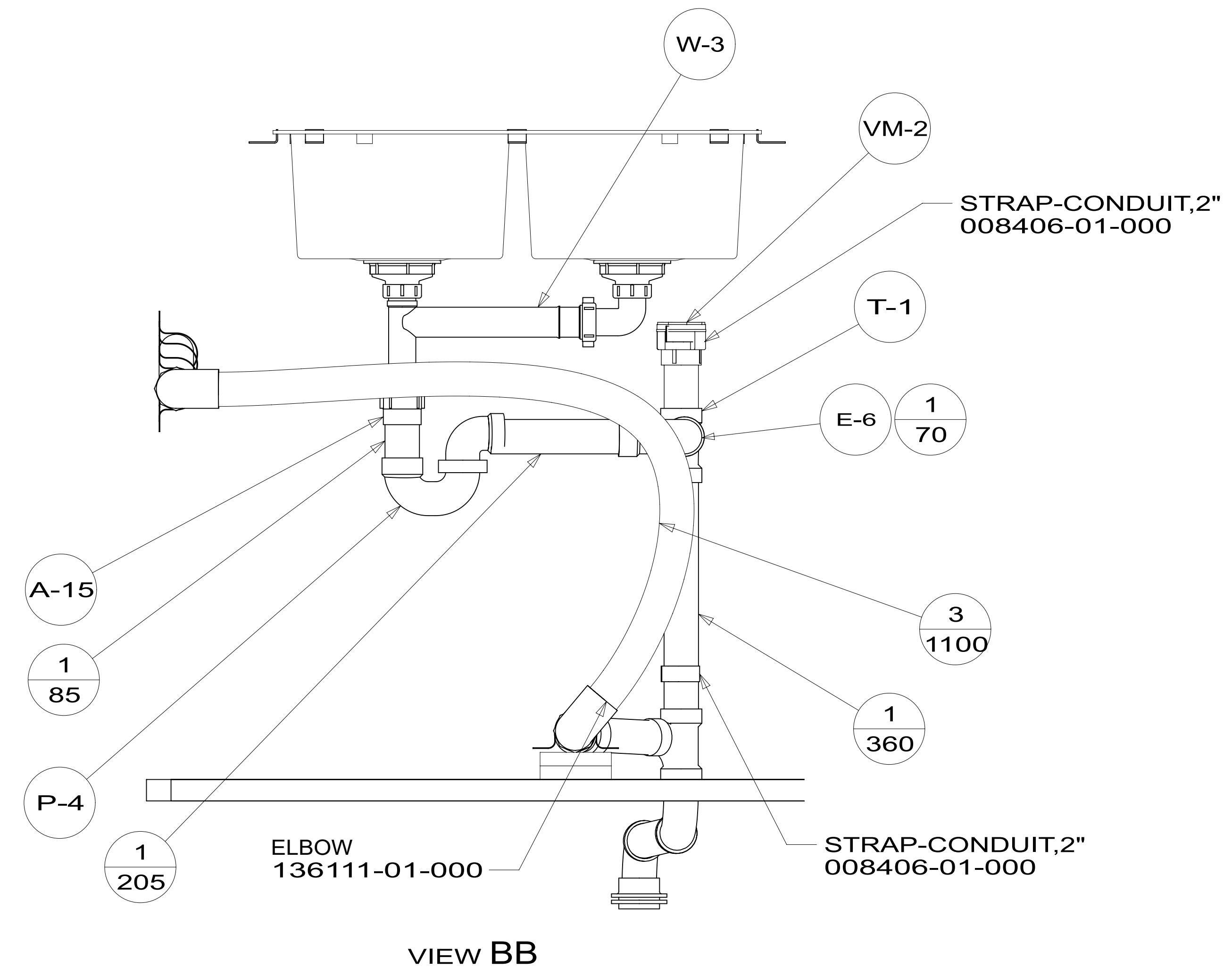
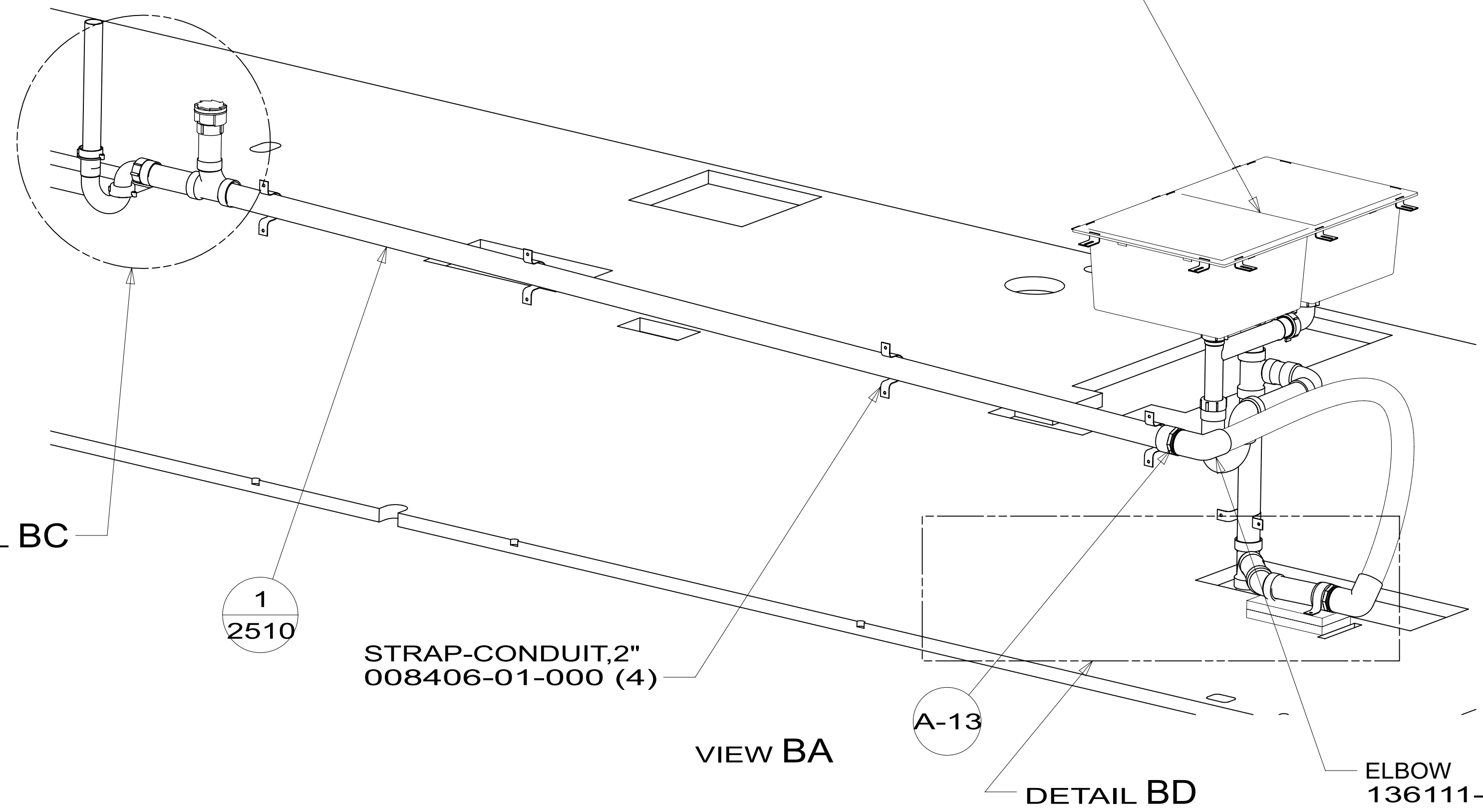
X-X
**FOR
DRAINAGE
CALLOUTS
SEE DWG NO.
000211962 /
303370-01-000**

- 21M WASHER/DRYER PREP
- 21S WASHER & DRYER-PAIR

WINNEBAGO COPYRIGHT 2023 WINNEBAGO INDUSTRIES, INC.		
DSNR:	ALL DIMENSIONS ARE IN MILLIMETERS	
DFTR:		
UNSPECIFIED TOLERANCES:	MATERIAL:	
WHOLE DIM (X) :	3	
ONE-PLACE (X.X) :	1.5	
TWO-PLACE (X.XX) :	0.50	
ANGLE :	1°	
REFER TO ES0018 FOR FASTENER TIGHTENING GUIDELINES	WEIGHT: (LBS)	FIRST USED: (REF)
		22 L34T
DESCRIPTION: DRAINAGE SYSTEM INSTL		
SHEET:	ITEM/PART NO:	REV
1 OF 5	000237697 / 34780001000	

8 7 6 5 4 3 2 1

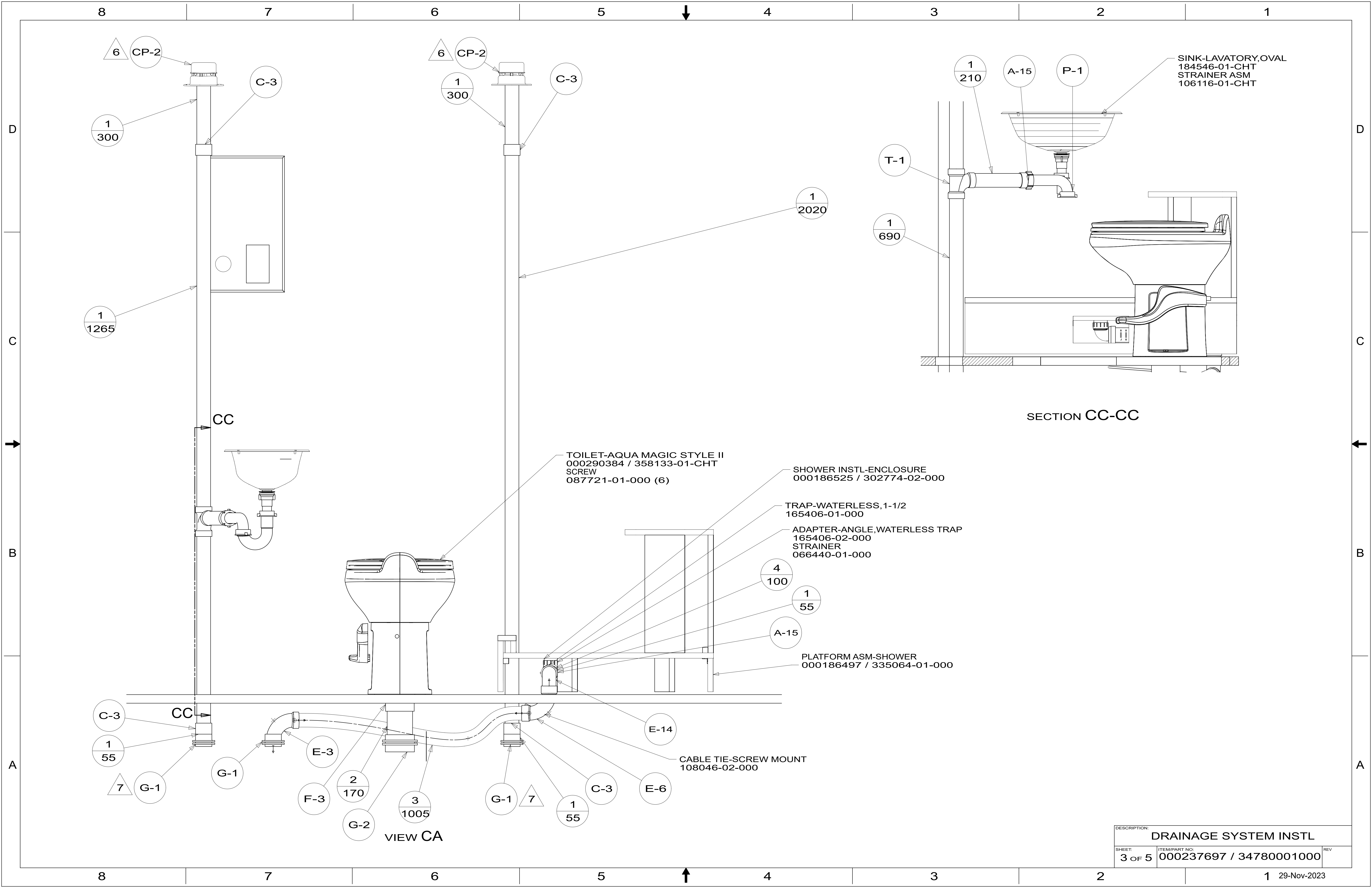
SINK-GALLEY, DBL
 000177390 / 333238-01-CHT
 STRAINER
 092303-01-000 (2) 4
 SEAL
 (A/R)
 ANGLE-W/SLOT
 140002-01-CHT (10)



8 7 6 5 4 3 2 1

DESCRIPTION:		
DRAINAGE SYSTEM INSTL		
SHEET:	ITEM/PART NO.:	REV
2 OF 5	000237697 / 34780001000	

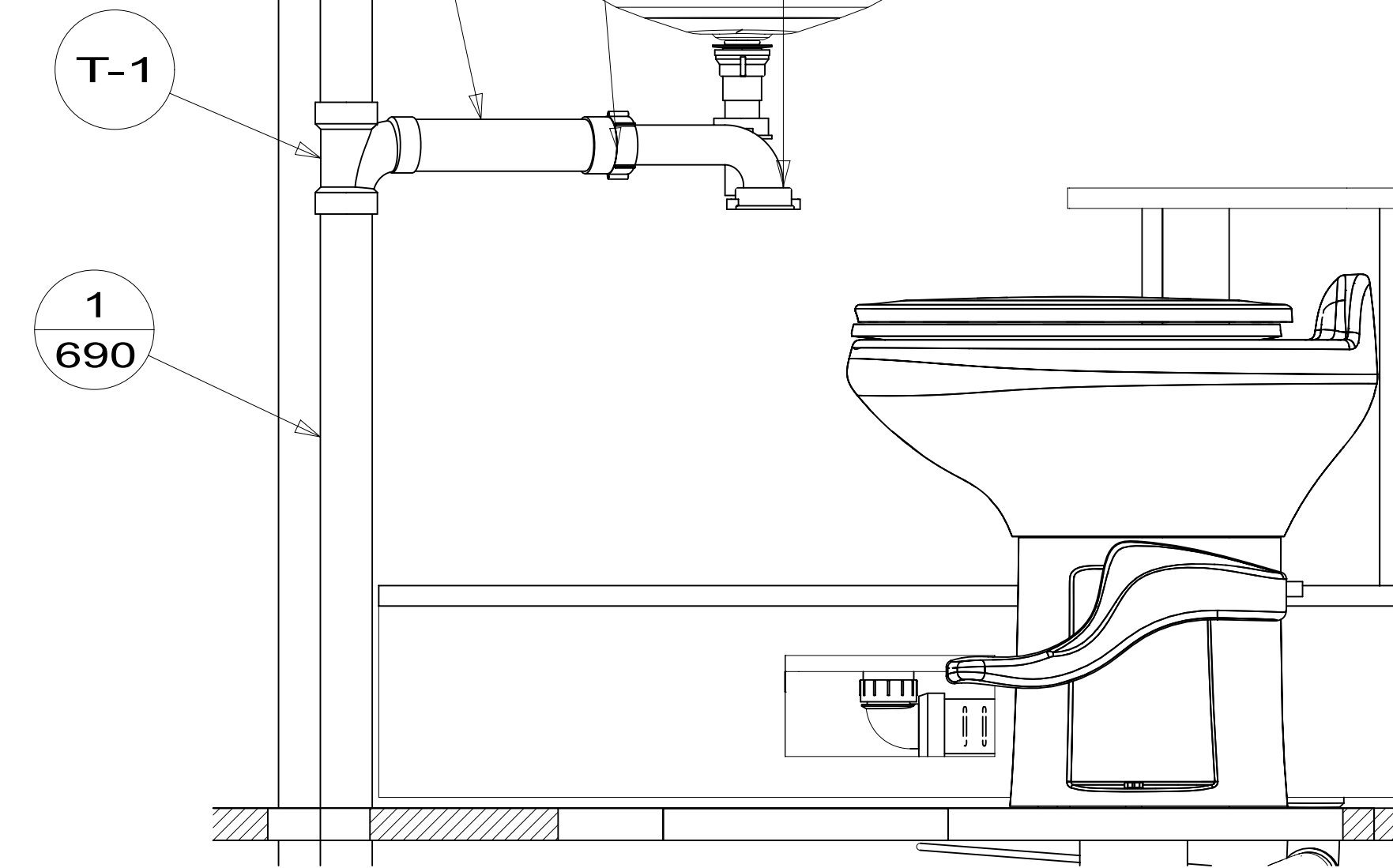
1 29-Nov-2023



6 CP-2
 1 300
 C-3

6 CP-2
 1 300
 C-3

1 210
 A-15
 P-1
 SINK-LAVATORY, OVAL
 184546-01-CHT
 STRAINER ASM
 106116-01-CHT



SECTION CC-CC

1 1265

1 2020

CC

TOILET-AQUA MAGIC STYLE II
 000290384 / 358133-01-CHT
 SCREW
 087721-01-000 (6)

SHOWER INSTL-ENCLOSURE
 000186525 / 302774-02-000

TRAP-WATERLESS, 1-1/2
 165406-01-000

ADAPTER-ANGLE, WATERLESS TRAP
 165406-02-000
 STRAINER
 066440-01-000

4 100

1 55

A-15

PLATFORM ASM-SHOWER
 000186497 / 335064-01-000

C-3
 1 55
 G-1
 7 G-1

CC

E-3

2 170

F-3

G-2

VIEW CA

3 1005

G-1

7

1 55

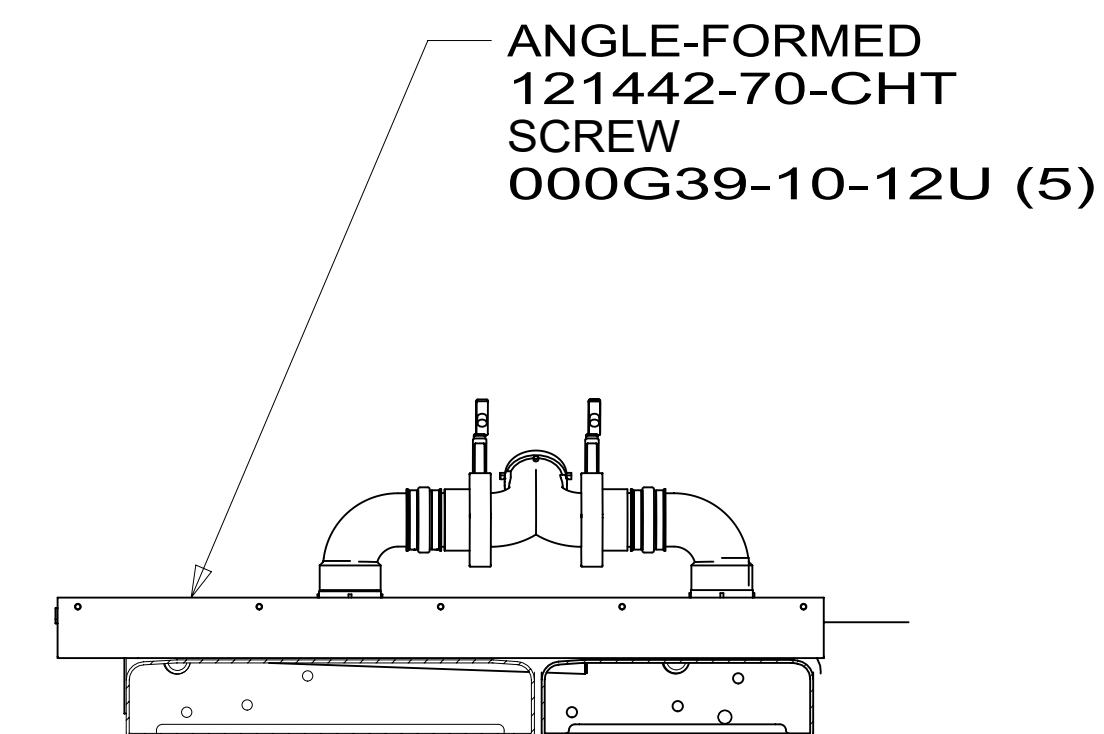
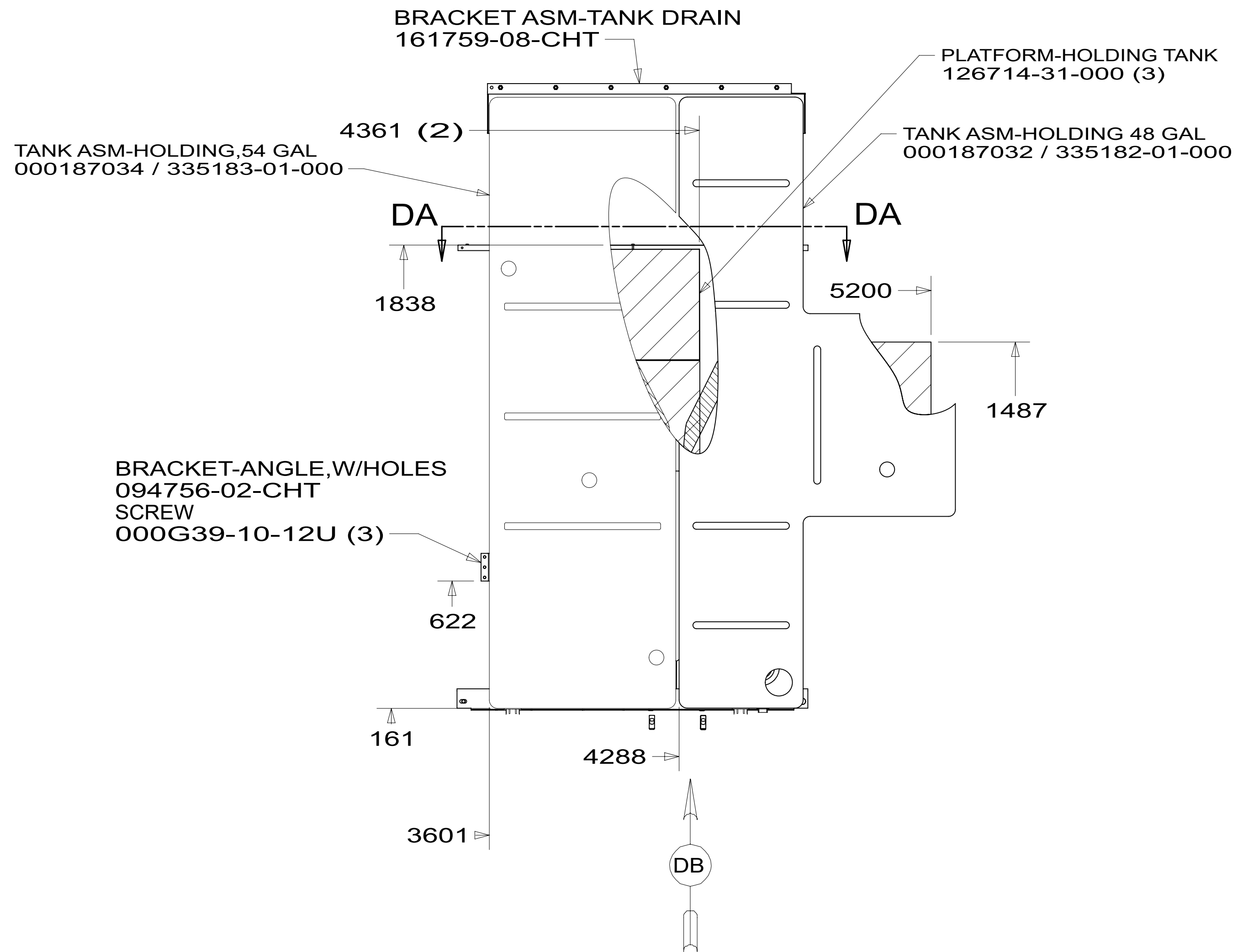
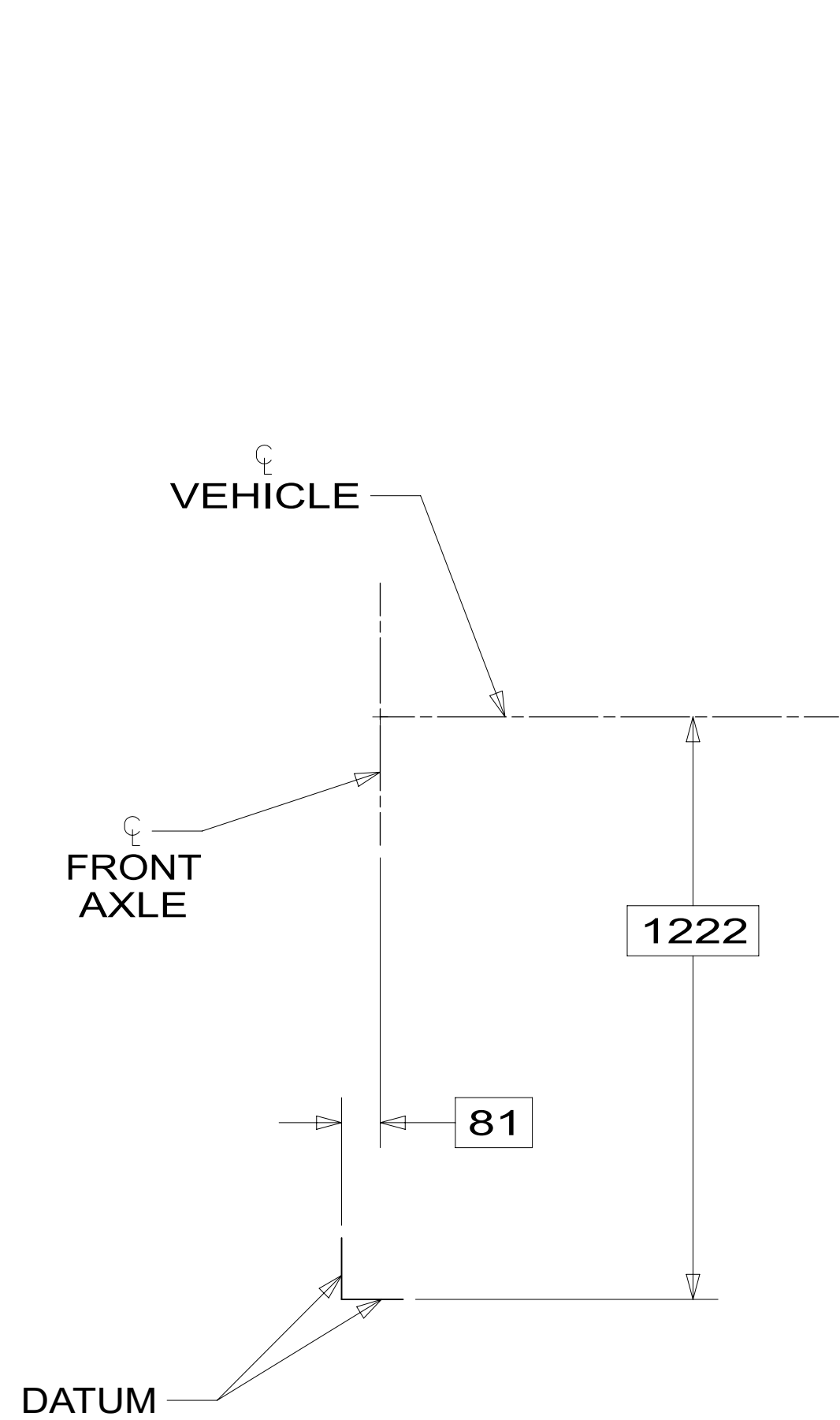
C-3

E-6

E-14

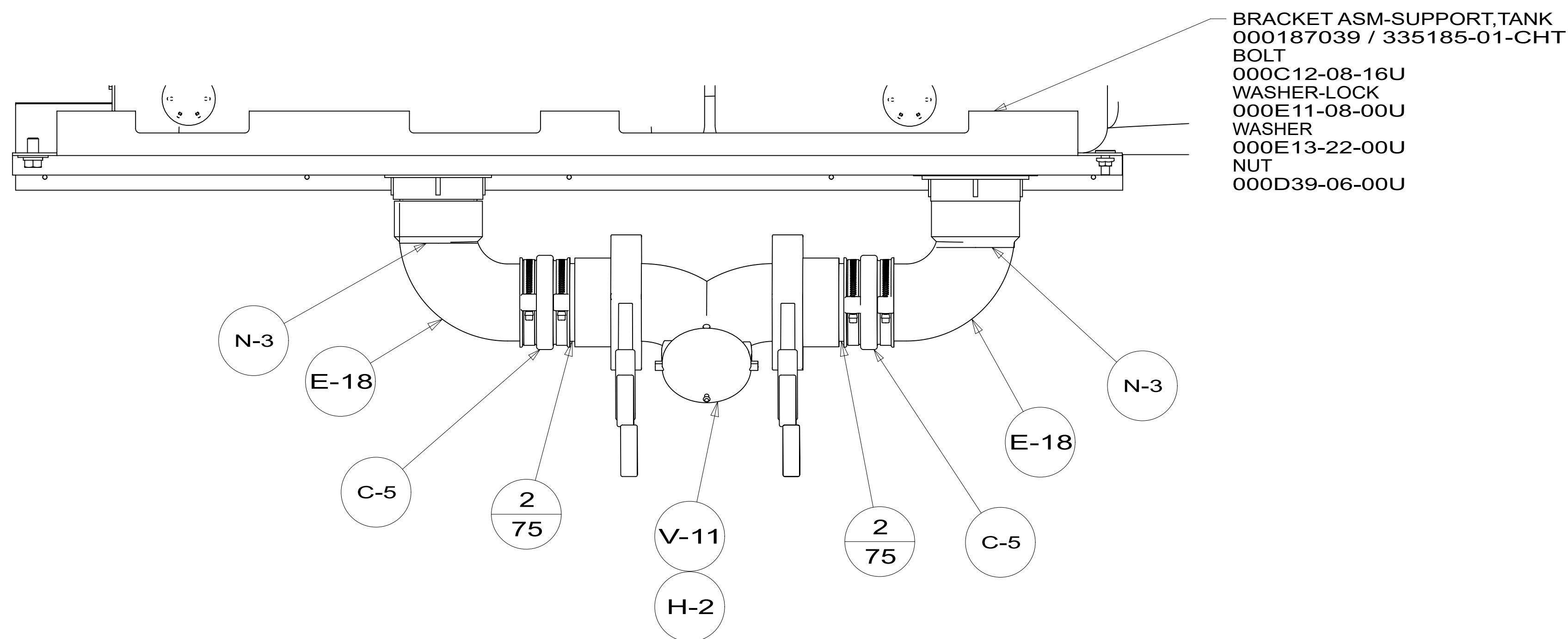
CABLE TIE-SCREW MOUNT
 108046-02-000

DESCRIPTION:		
DRAINAGE SYSTEM INSTL		
SHEET:	ITEM/PART NO.:	REV
3 OF 5	000237697 / 34780001000	



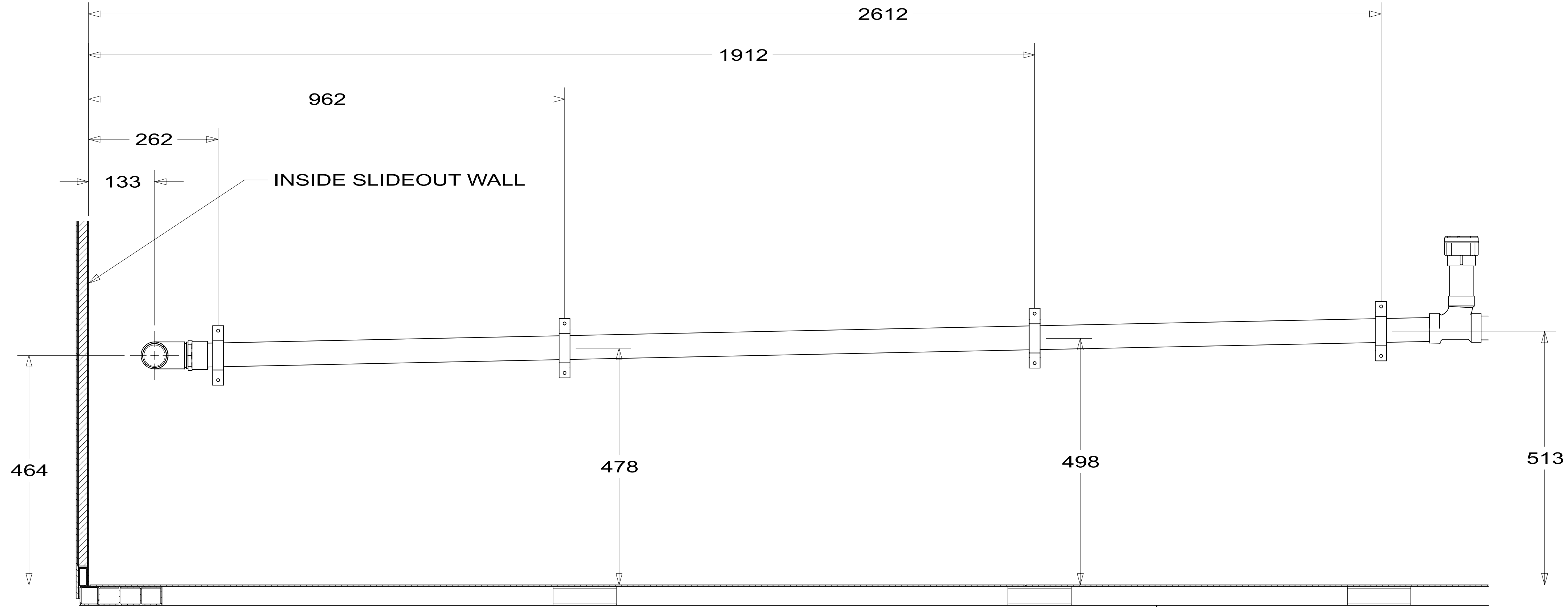
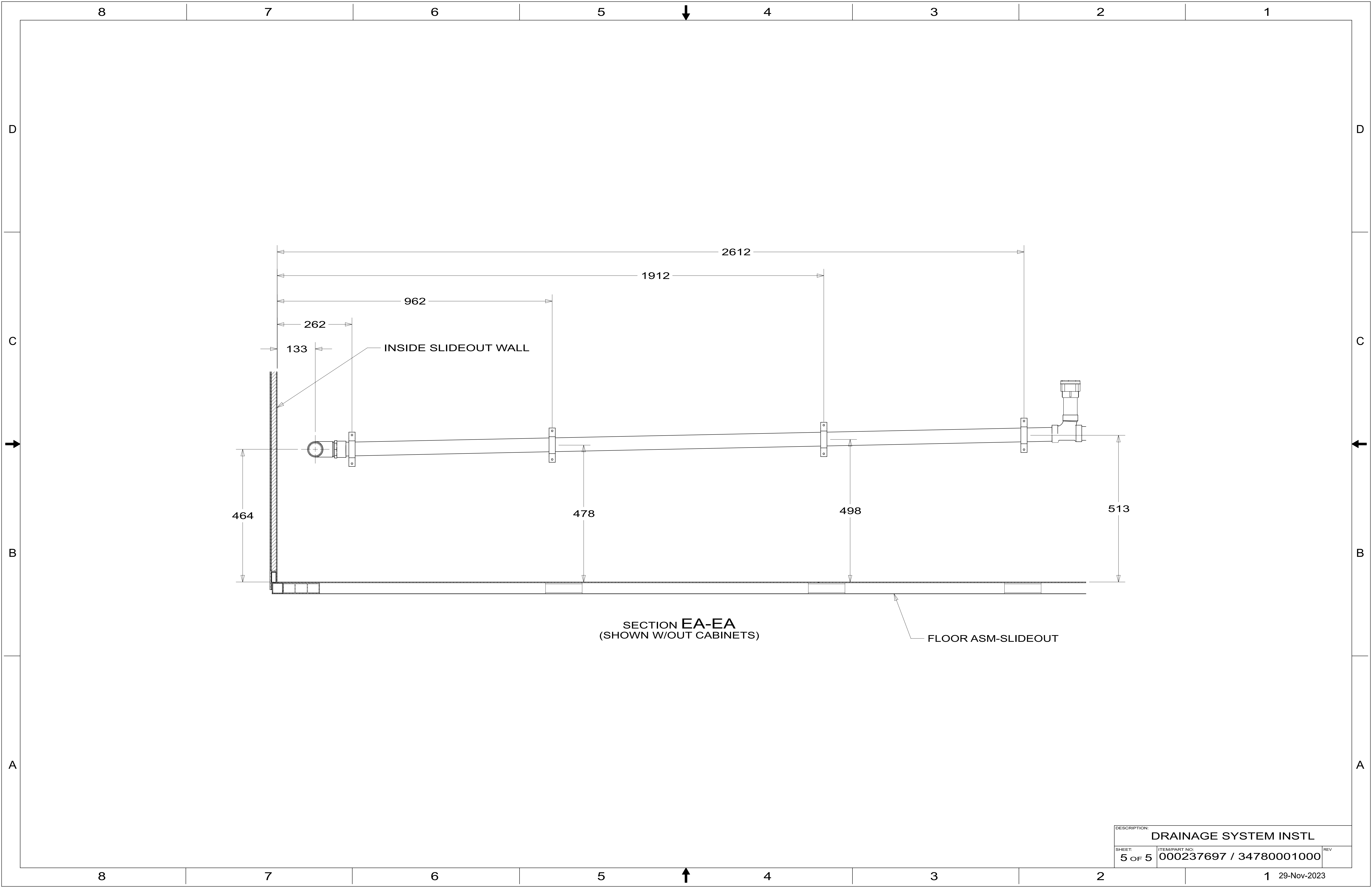
SECTION DA-DA

TOP VIEW SHOWING ONLY DRAINS AND TANKS



VIEW DB

DESCRIPTION: DRAINAGE SYSTEM INSTL		
SHEET: 4 OF 5	ITEM/PART NO: 000237697 / 34780001000	REV



SECTION EA-EA
(SHOWN W/OUT CABINETS)

FLOOR ASM-SLIDEOUT

DESCRIPTION:		
DRAINAGE SYSTEM INSTL		
SHEET:	ITEM/PART NO.:	REV
5 OF 5	000237697 / 34780001000	