

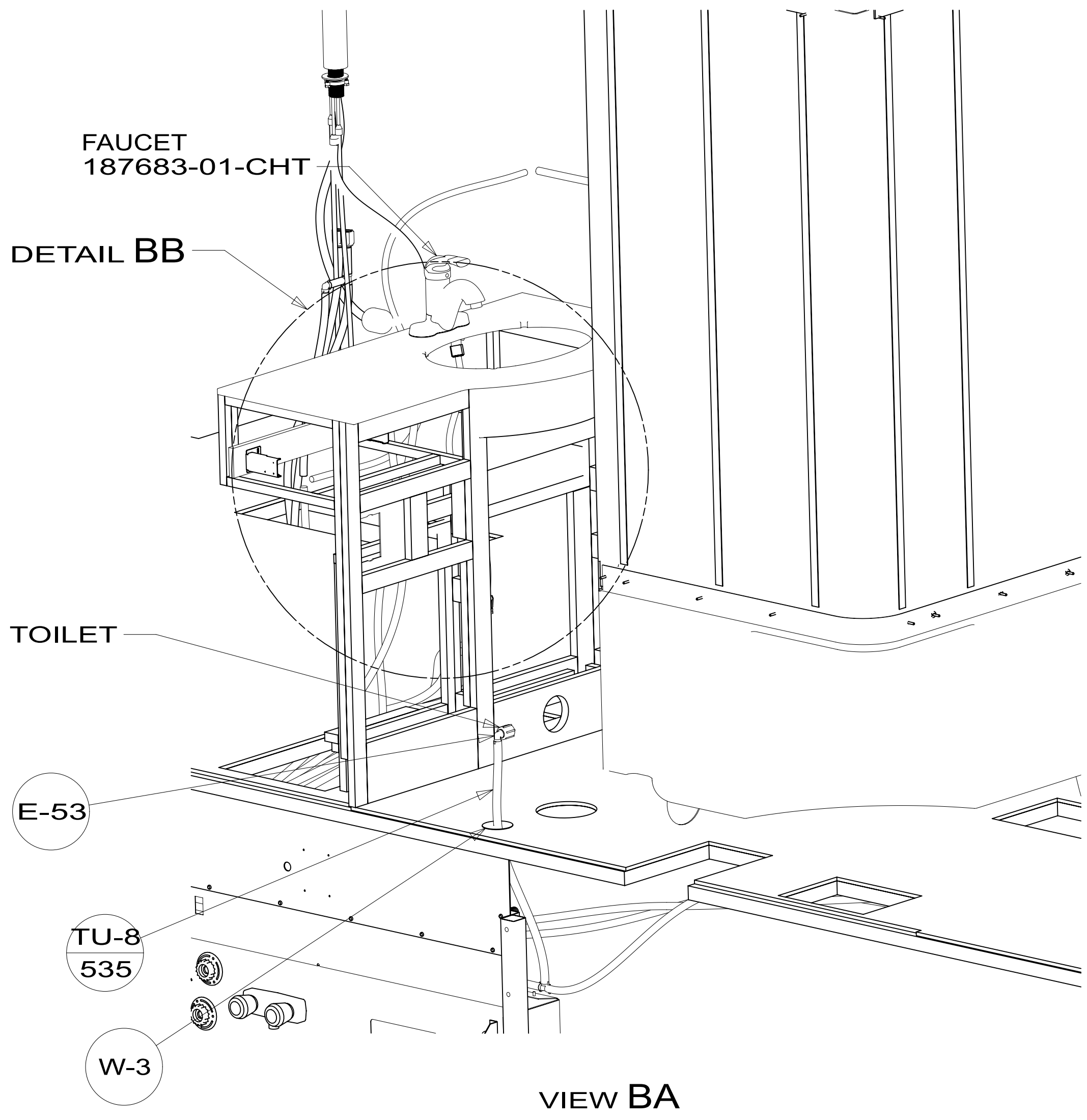
- 11. DO NOT USE SPACER SUPPLIED WITH DROP ELL.
- 10. FOR INSTALLATION USE SILICON-ADHESIVE 000162556 / 328744-02-CHT. APPLY ON TOP OF PLATE, PLACE COVER ON, AND PUT ADHESIVE AROUND CORNER.
- 9. ELBOW TO BE TURN 45° BELOW HORIZONTAL LINE.
- 8. ALL CRIMP FITTINGS TO 1/2" PEX TUBING REQUIRE 1/2" CLAMP 000156249 / 326670-01-000.
- 7. ALL CRIMP FITTINGS TO 5/8" PEX TUBING REQUIRE 5/8" CLAMP 000156248 / 326669-01-000.
- 6. LABEL HOT AND COLD SUPPLY TUBES AND TAPE FITTING TO TUBE BEFORE CABINET SET TO PREVENT MOVEMENT.
- 5. ADD PIPE WRAP (LADDER SCRAP 110157-02-000) INSULATION.
- 4. ADD TEFLON TAPE 010405-02-000.
- 3. ALL TUBING TO BE SECURED AT 1200 INTERVALS MAXIMUM WITH CLAMP 010495-01-000 AND SCREW 000G67-10-12U OR EQUIVALENT.
- 2. TUBING TO BE INSTALLED WITH SUFFICIENT SLOPE TO PROVIDE DRAINAGE TO NEAREST VALVE.
- 1. PLASTIC FITTINGS TO BE SEALED WITH SEALANT 084456-01-000.

- 1BU WTR HTR TKLS W/RECIRCUL PUMP
- 21M WASHER/DRYER PREP
- 21S WASHER & DRYER-PAIR

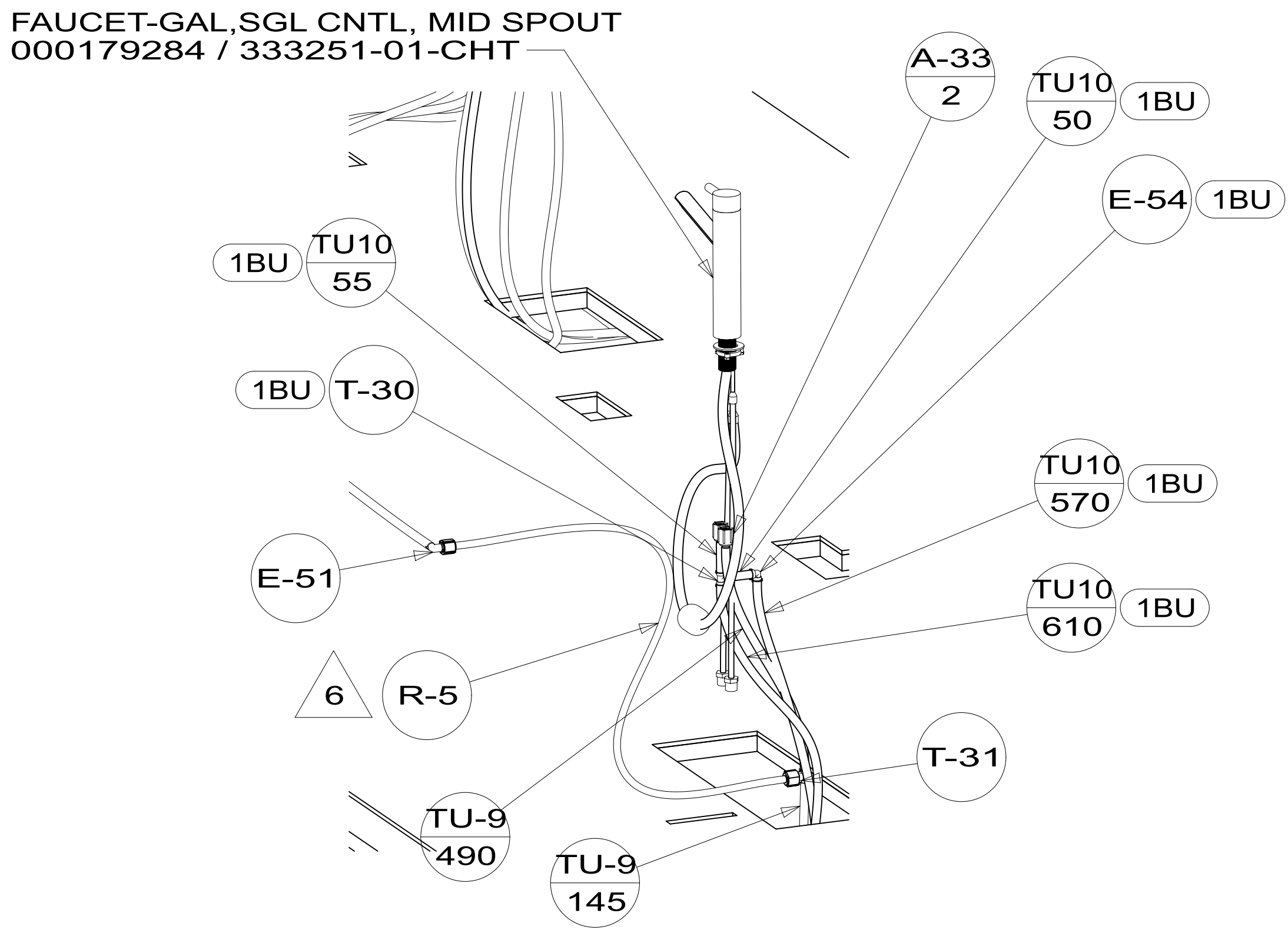
WINNEBAGO COPYRIGHT 2023 WINNEBAGO INDUSTRIES, INC.	
DSNR:	ALL DIMENSIONS ARE IN MILLIMETERS
DIFTR:	
UNSPECIFIED TOLERANCES:	MATERIAL:
WHOLE DIM (X) ± 3	
ONE-PLACE (X.X) ± 1.5	
TWO-PLACE (X.XX) ± 0.50	
ANGLE ± 1°	
REFER TO ES0018 FOR FASTENER TIGHTENING GUIDELINES	WEIGHT: (LBS) FIRST USED: (REF)
	22 L34T
DESCRIPTION: WATER SYSTEM INSTL	
SHEET: 1 OF 5	ITEM/PART NO: 000237687 / 34781001000
REV:	

X-X
FOR WATER CALLOUTS SEE DWG NO. 000209446 / 303369-01-000

8 7 6 5 4 3 2 1

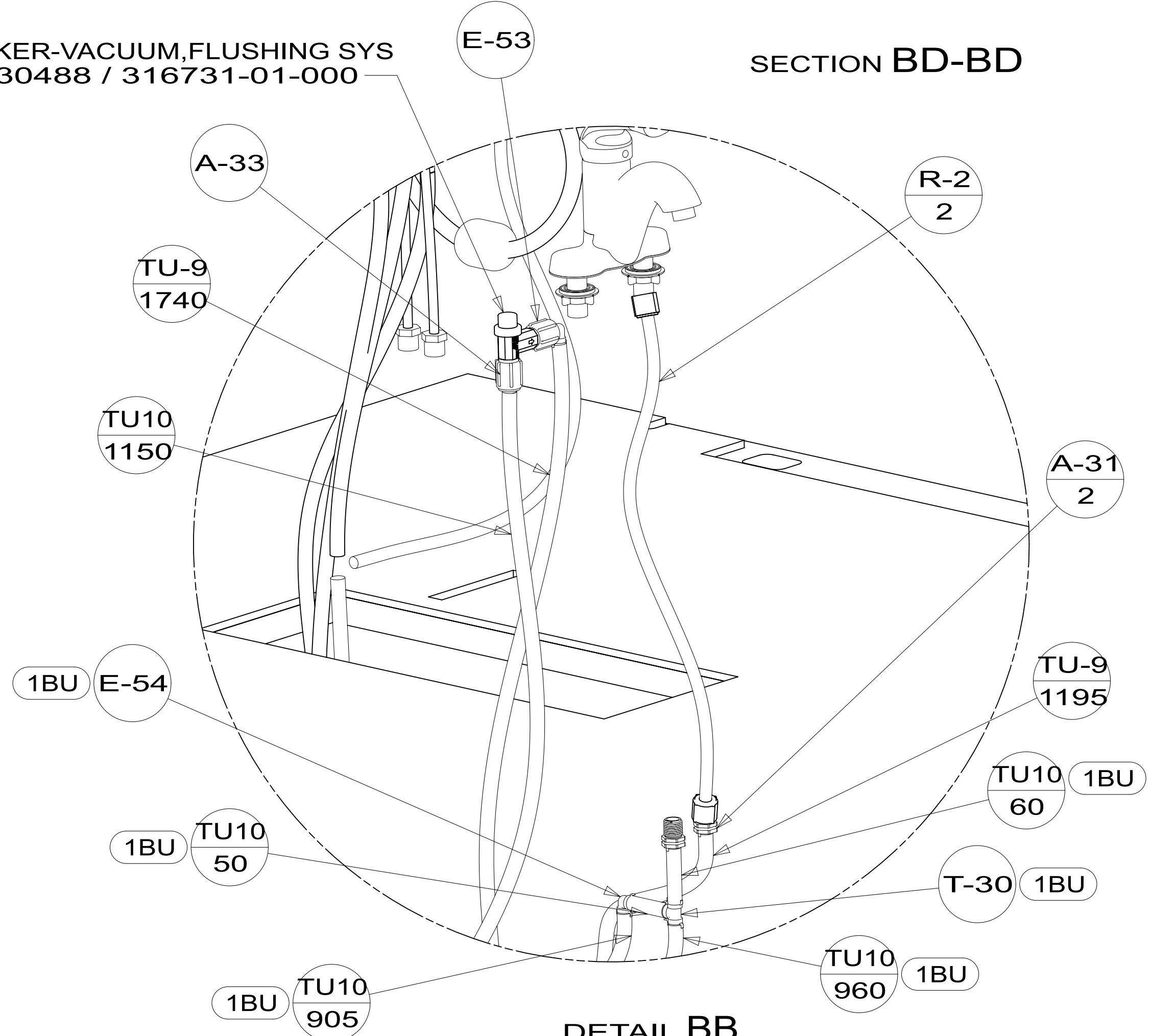


VIEW BA

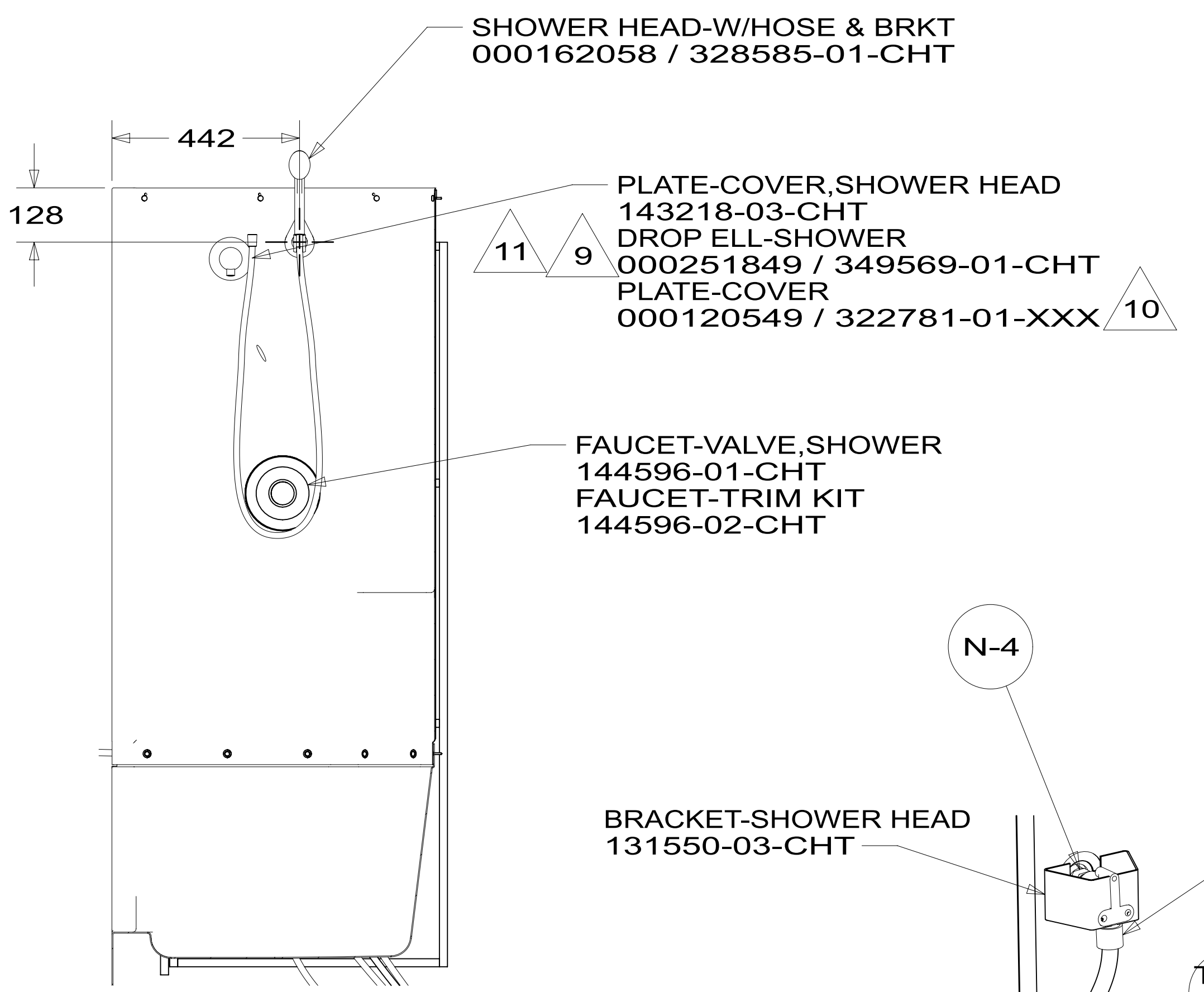


VIEW BE

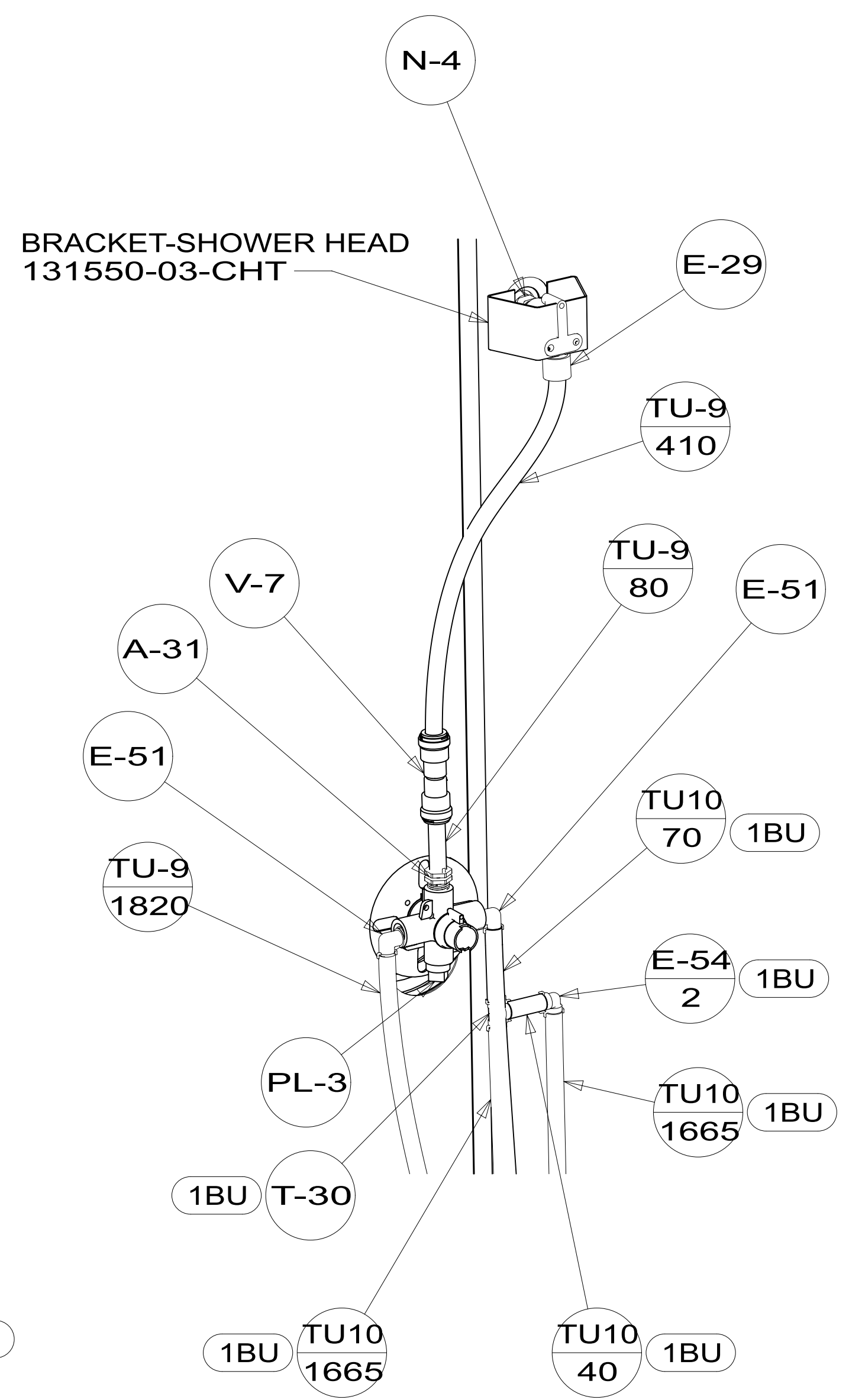
BREAKER-VACUUM,FLUSHING SYS
000030488 / 316731-01-000



DETAIL BB
(SHOWN W/OUT CABINETS)



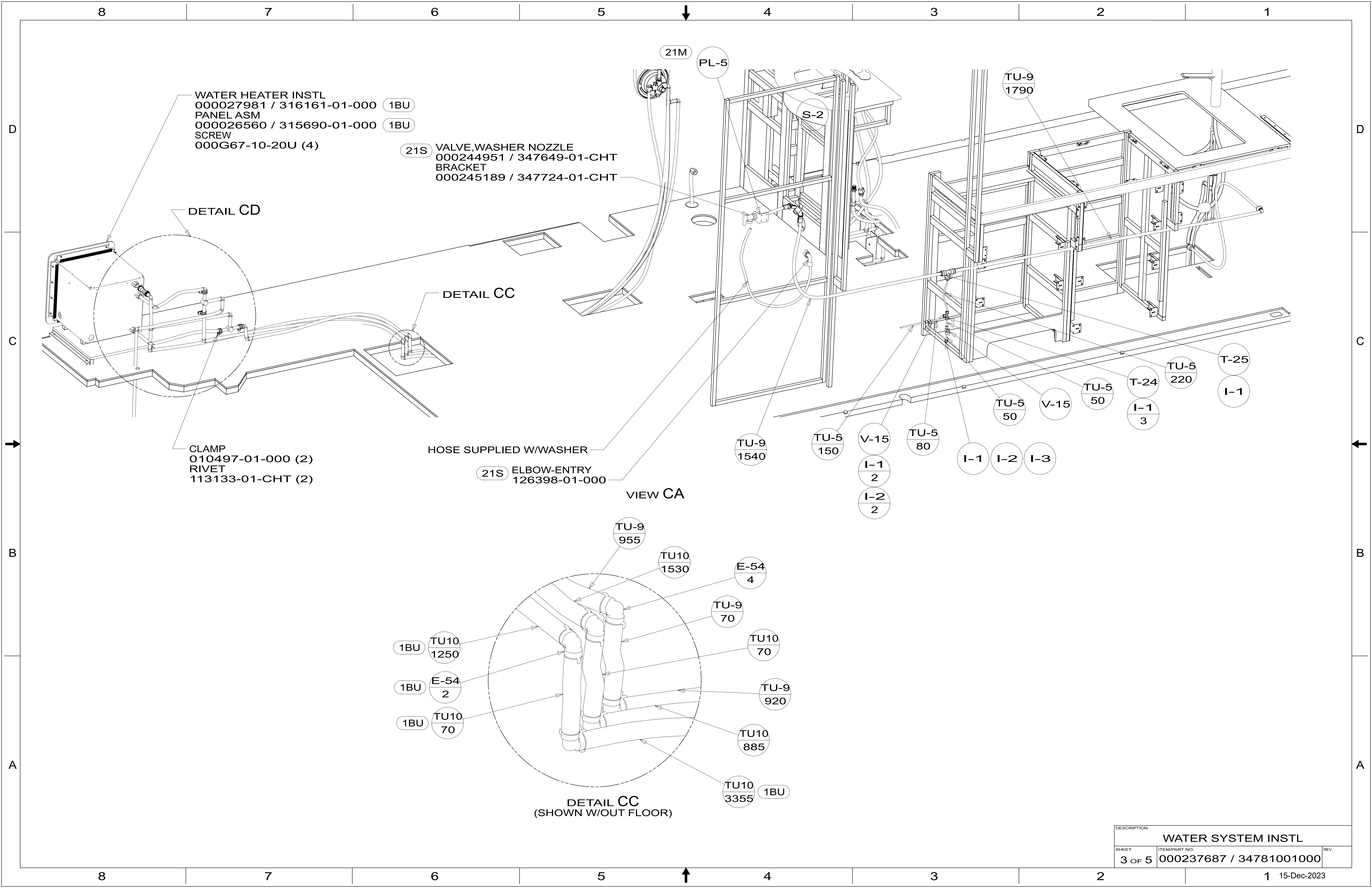
SECTION BD-BD



VIEW BC
(SHOWN W/OUT CABINETS)

DESCRIPTION:		
WATER SYSTEM INSTL		
SHEET:	ITEM/PART NO.:	REV
2 OF 5	000237687 / 34781001000	

8 7 6 5 4 3 2 1 15-Dec-2023



D

D

C

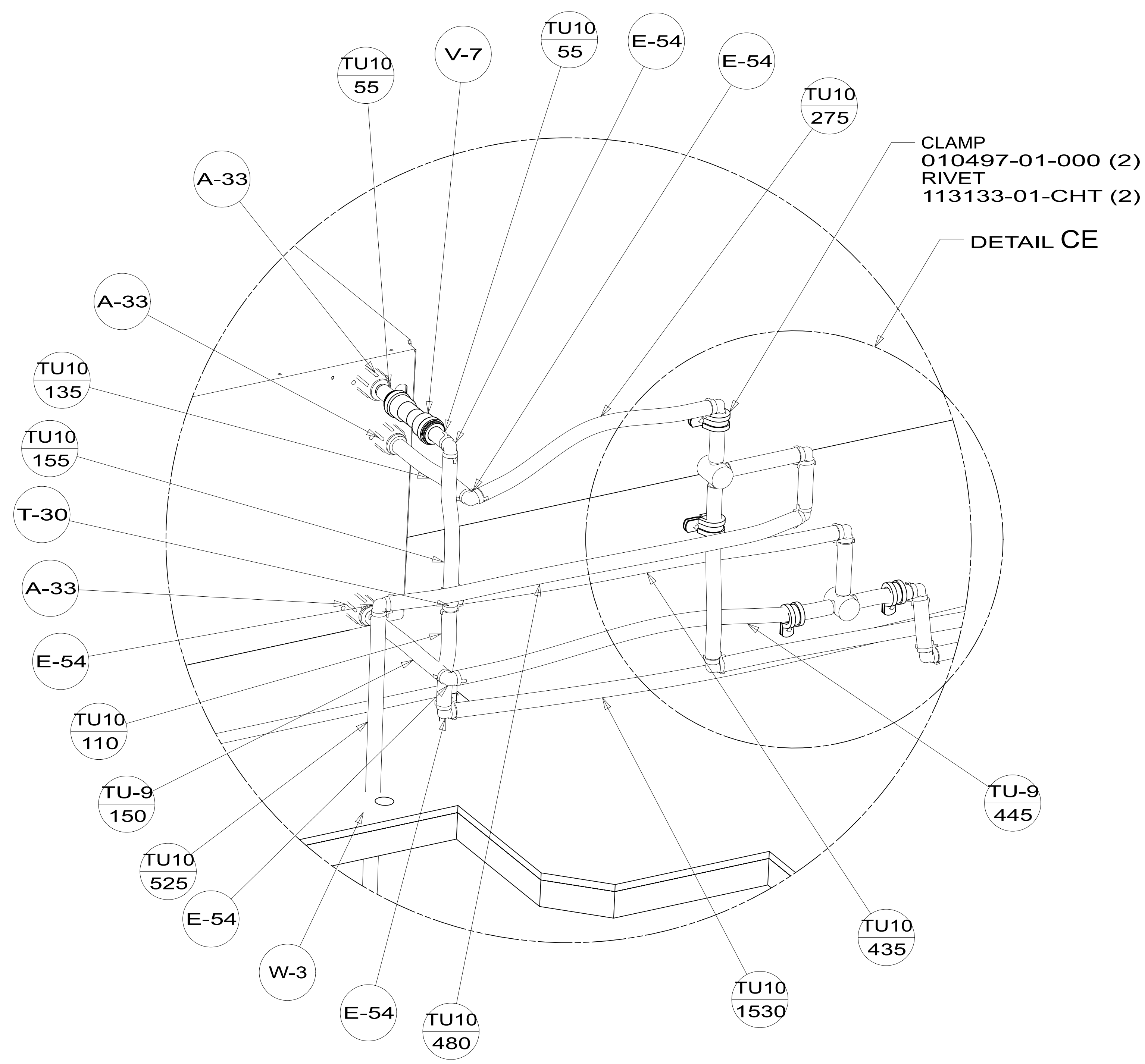
C

B

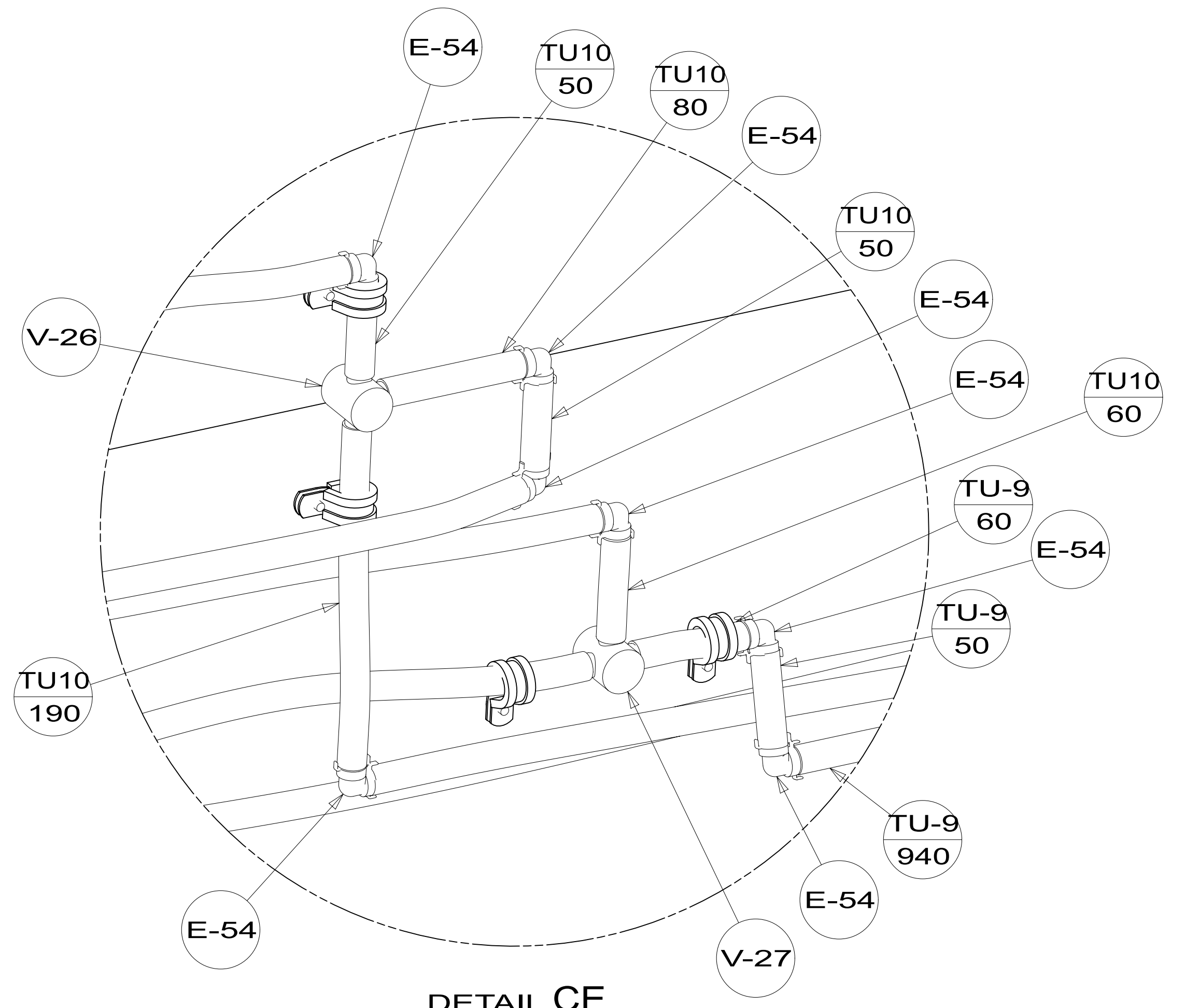
B

A

A



DETAIL CD
1BU

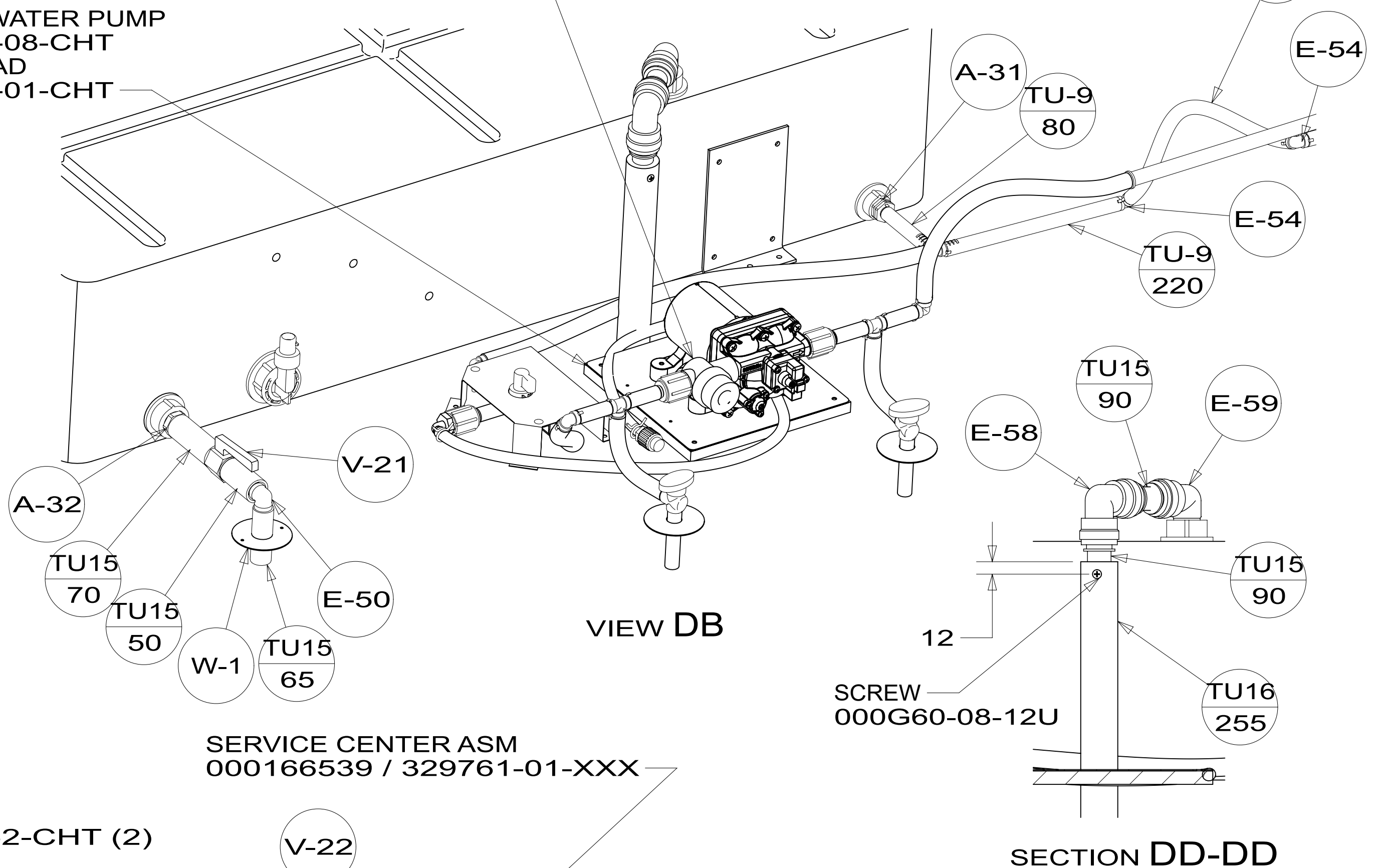
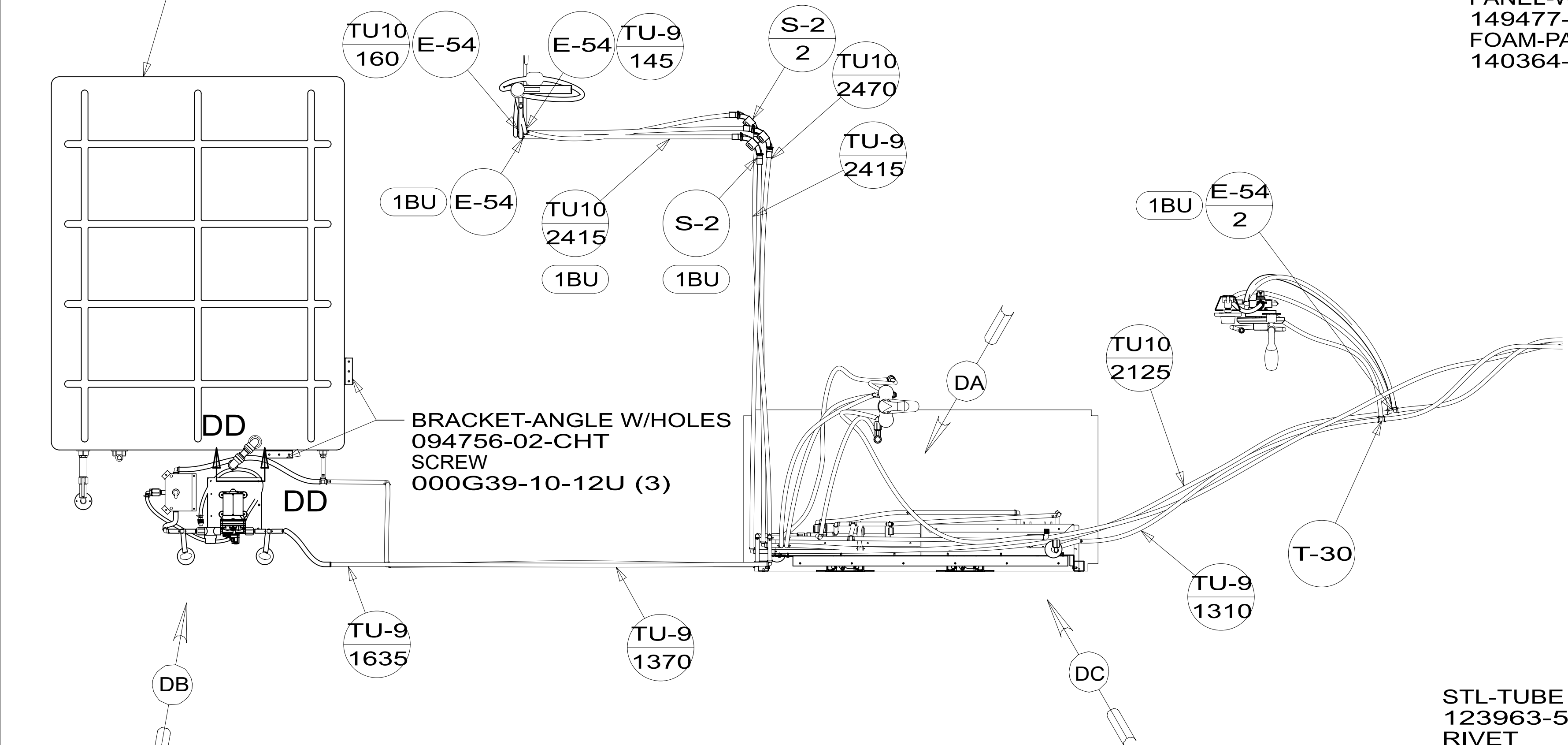


DESCRIPTION:		
WATER SYSTEM INSTL		
SHEET:	ITEM/PART NO.:	REV:
4 OF 5	000237687 / 34781001000	

TANK ASM-WATER,84 GAL
000291303 / 335180-02-000

WATER PUMP CENTER ASM
000003842 / 312355-01-XXX

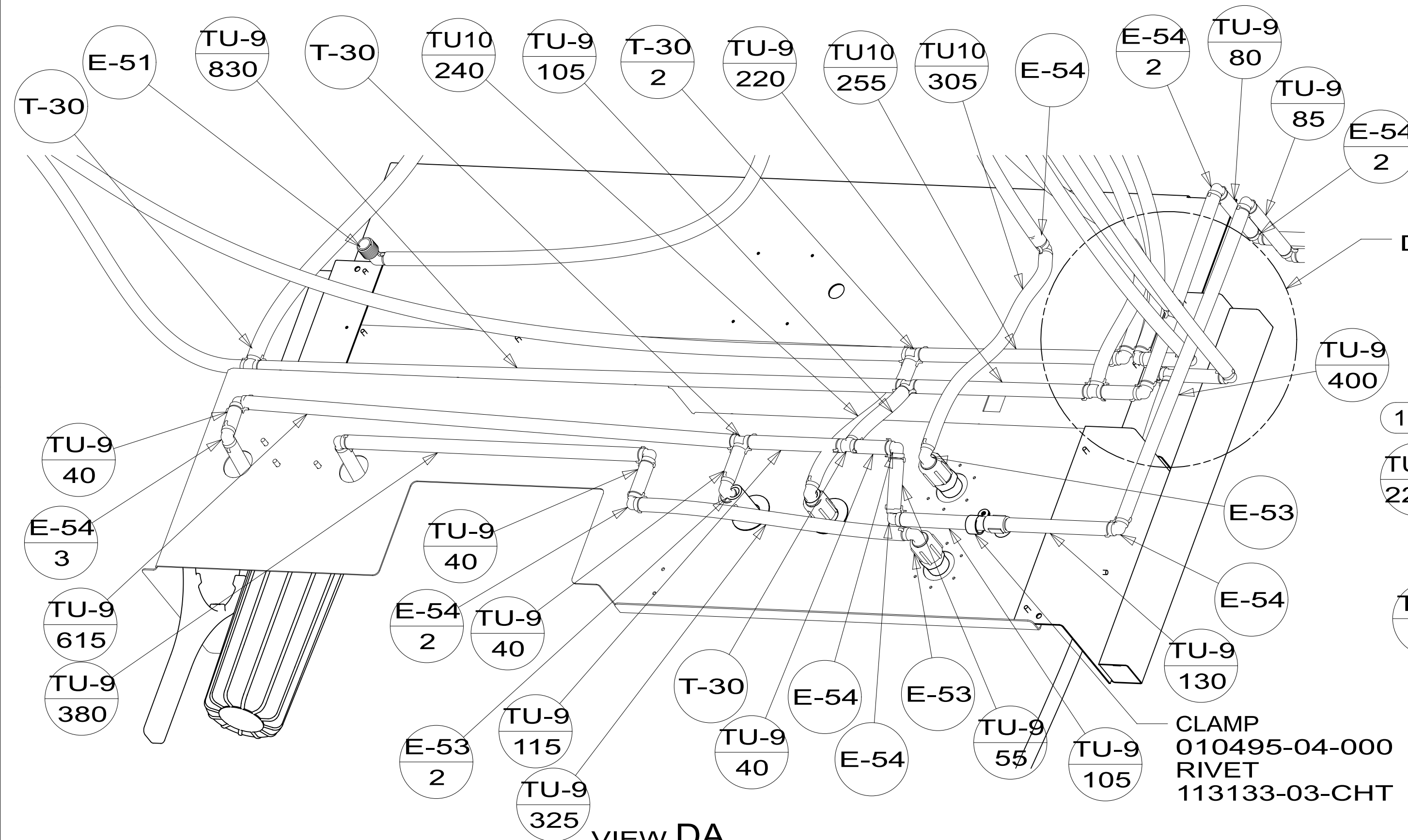
PANEL-WATER PUMP
149477-08-CHT
FOAM-PAD
140364-01-CHT



SERVICE CENTER ASM
000166539 / 329761-01-XXX

STL-TUBE
123963-52-CHT (2)
RIVET
113133-01-CHT (8)

CLAMP
010497-01-000 (2)
SCREW
000G39-10-08U (2)



DETAIL DE

DETAIL DE

DETAIL DE

CLIP-J
077955-01-000
RIVET
113133-01-CHT

FILTER ASM
155482-01-CHT
SCREW
000G11-10-12U(4)

WRENCH-FILTER
155482-03-CHT
FILTER
155482-02-CHT

TOP VIEW SHOWING LINE UNDER FLOOR

VIEW DB

SECTION DD-DD

VIEW DC

VIEW DA

DESCRIPTION:		
WATER SYSTEM INSTL		
SHEET:	ITEM/PART NO.:	REV
5 OF 5	000237687 / 34781001000	