

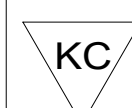



FRONT OF COACH

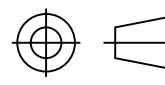
- NOTES:
1. SLOPE OF HORIZONTAL PIPING TO BE MINIMUM OF 3 PER 305 mm.
 2. SLOPE OF TRAP ARM MUST BE 6 PER 305 mm.
 3. ALL PIPE AND FITTINGS TO BE ASSEMBLED WITH SOLVENT 004020-01-000 (USA), 004020-02-000 (CAN)
 4. USE SMOOTH PLUMBERS PUTTY 167459-01-000 TO SEAL STRAINER (0.2 PER STRAINER).
 5. SEAL AROUND SHOWER WITH SILICONE.
 6. VENT PIPE MUST PROJECT 51 MIN AND 64 MAX ABOVE ROOF FOR PROPER FIT AND FUNCTION. ADD S-1 (000156099 / 326607-01-CHT SEAL-VENT PIPE) AROUND PIPE ON ROOF BEFORE VENT CAP IS INSTALLED.
 7. SECURE VENT PIPE TO TANK WITH CLAMP 000156237 / 326663-02-000.
 8. SECURE DRAINAGE PIPES TO CABINET USING WIRE TIE 108046-02-000, AND SCREW 000G67-10-12U AT INTERVALS OF NOT MORE THAN 4 FEET APART.
 9. SEE DRAWING 061607 FOR INSTALLATION OF GROMMETS.
 10. VALVE TERMINATION TEE TO BE POSITIONED AT 10° DOWN AND OUTBOARD.
 11. APPLY PRIMER 126427-02-000 AND CEMENT 126427-01-000 BETWEEN ELBOW AND FLEX PIPE.

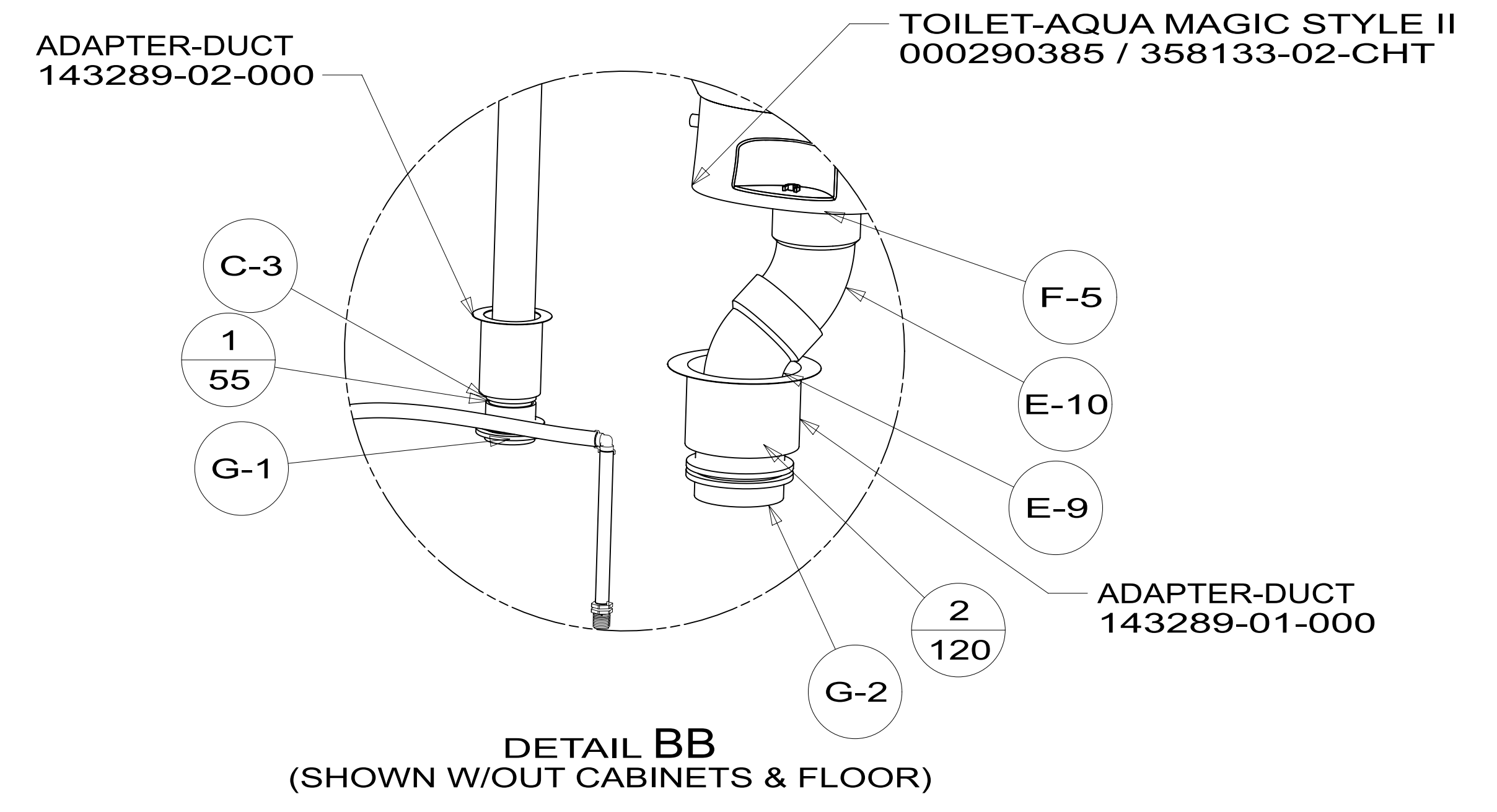
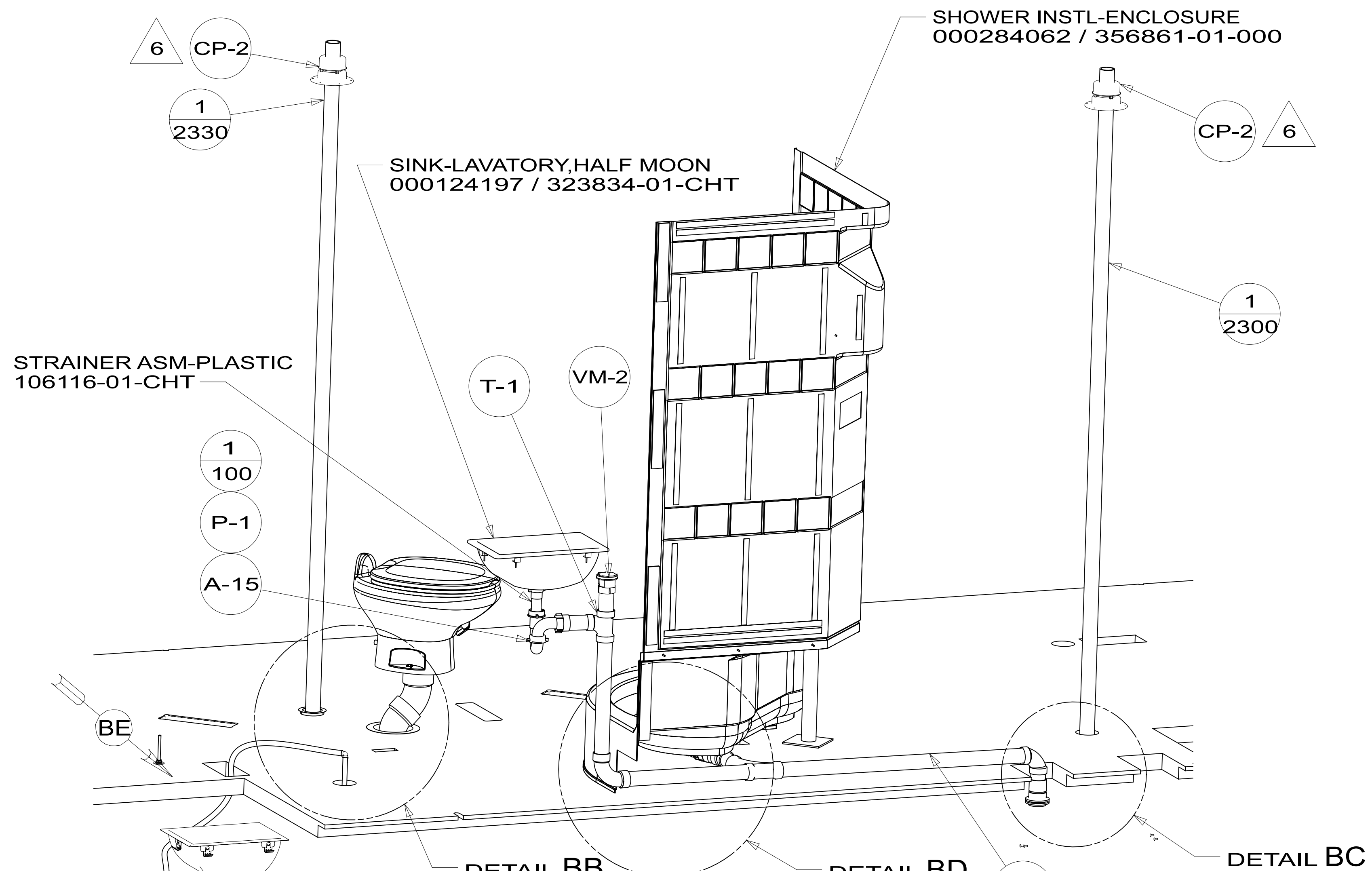
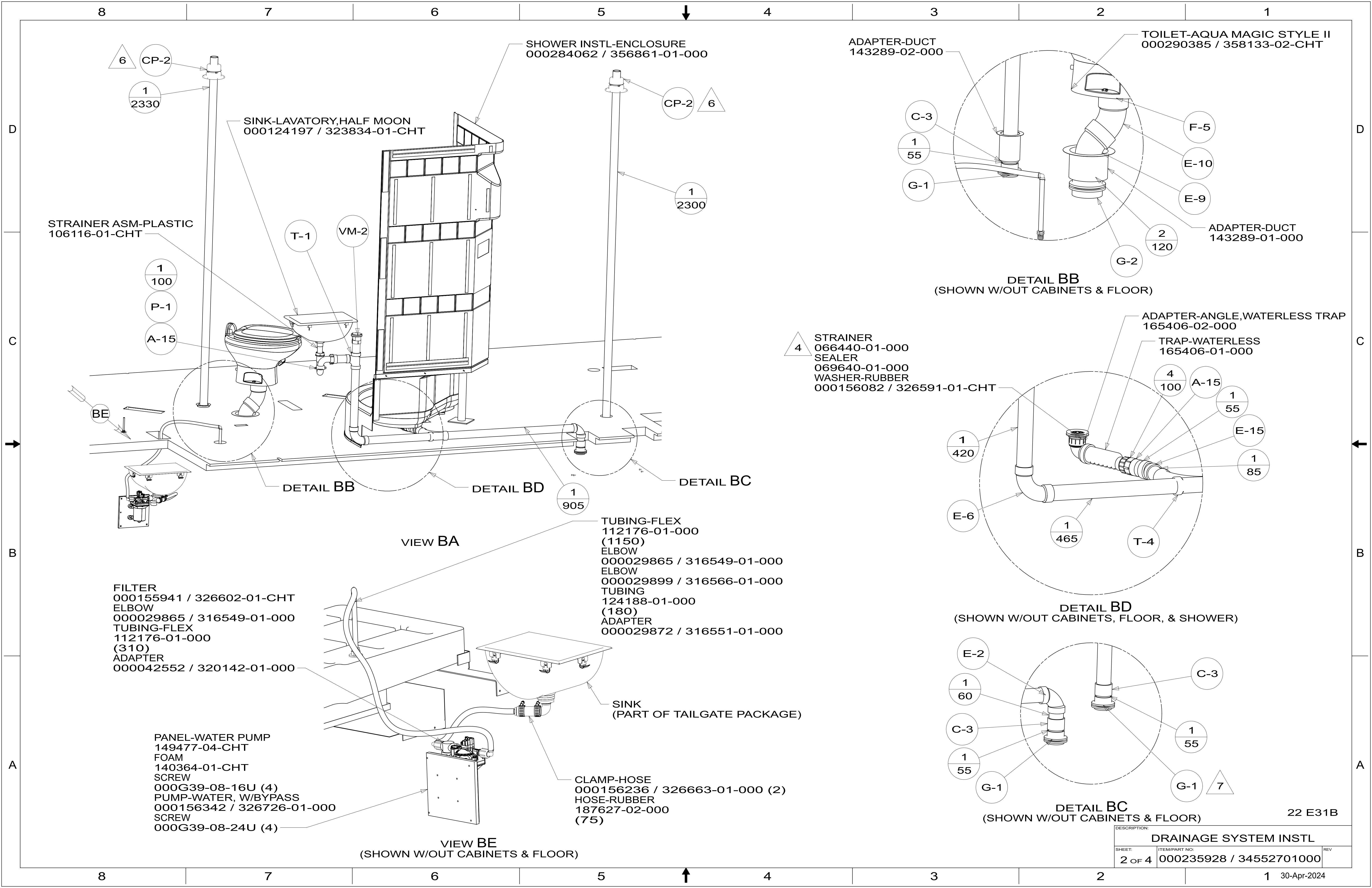
-  INDICATES A CRITICAL CHARACTERISTIC. ENSURE PROPER PROCEDURES ARE FOLLOWED.
-  INDICATES A SIGNIFICANT CHARACTERISTIC. ENSURE PROPER PROCEDURES ARE FOLLOWED.
-  INDICATES A KEY CHARACTERISTIC. ENSURE PROPER PROCEDURES ARE FOLLOWED.

(X-X)
FOR DRAINAGE CALLOUTS
SEE DWG NO.
000211962 /
303370-01-000

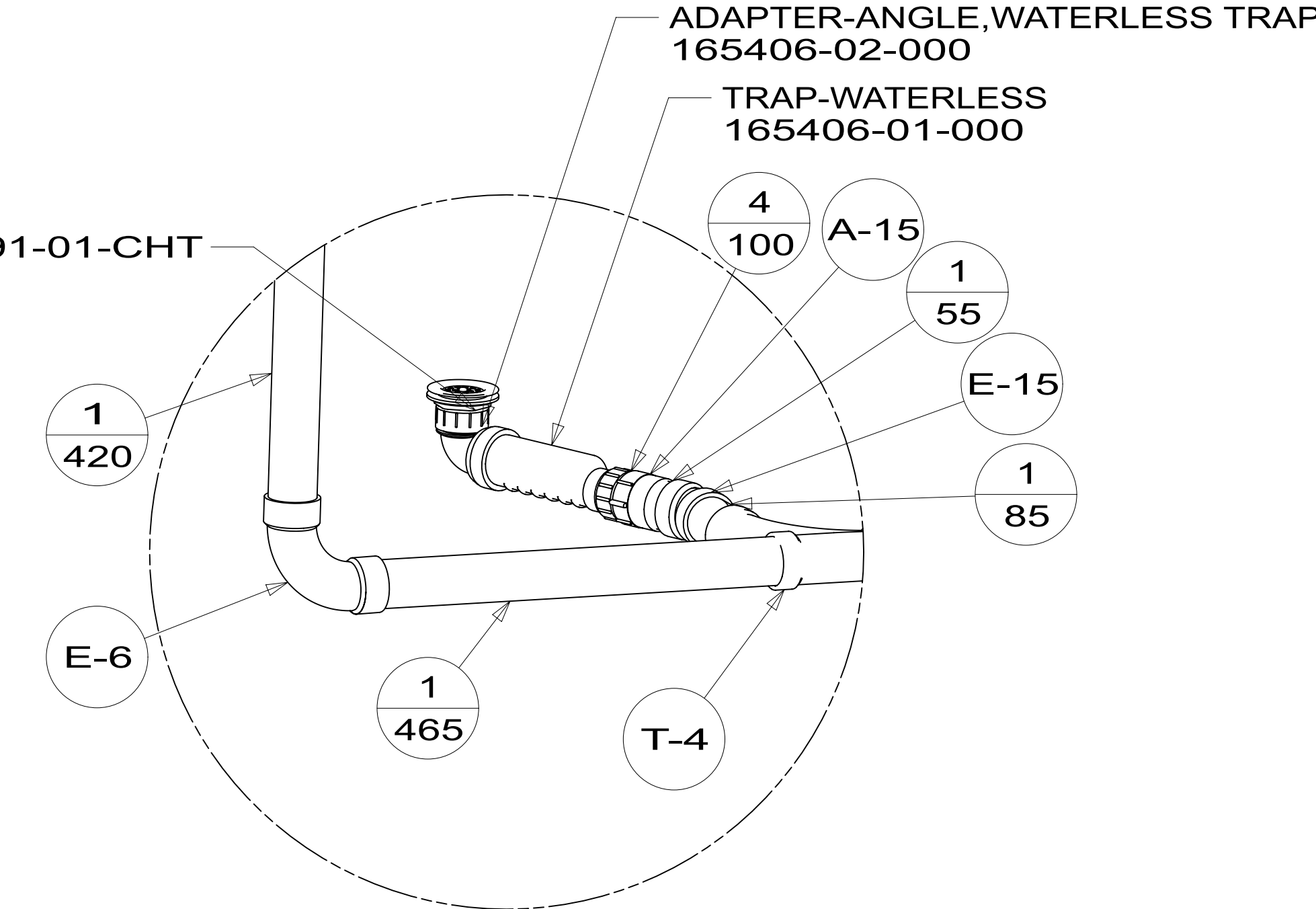


COPYRIGHT 2024 WINNEBAGO INDUSTRIES, INC.

DSNR:		ALL DIMENSIONS ARE IN MILLIMETERS 	
DFT:			
UNSPECIFIED TOLERANCES:		MATERIAL:	
WHOLE DIM (X)	3		
ONE-PLACE (X.X)	1.5		
TWO-PLACE (X.XX)	0.50		
ANGLE	1°		
REFER TO ES0018 FOR FASTENER TIGHTENING GUIDELINES		WEIGHT: (LBS)	FIRST USED: (REF)
			22 E31B
DESCRIPTION: DRAINAGE SYSTEM INSTL			
SHEET:	ITEM/PART NO.:	REV:	
1 OF 4	000235928 / 34552701000		
REF:		1 30-Apr-2024	

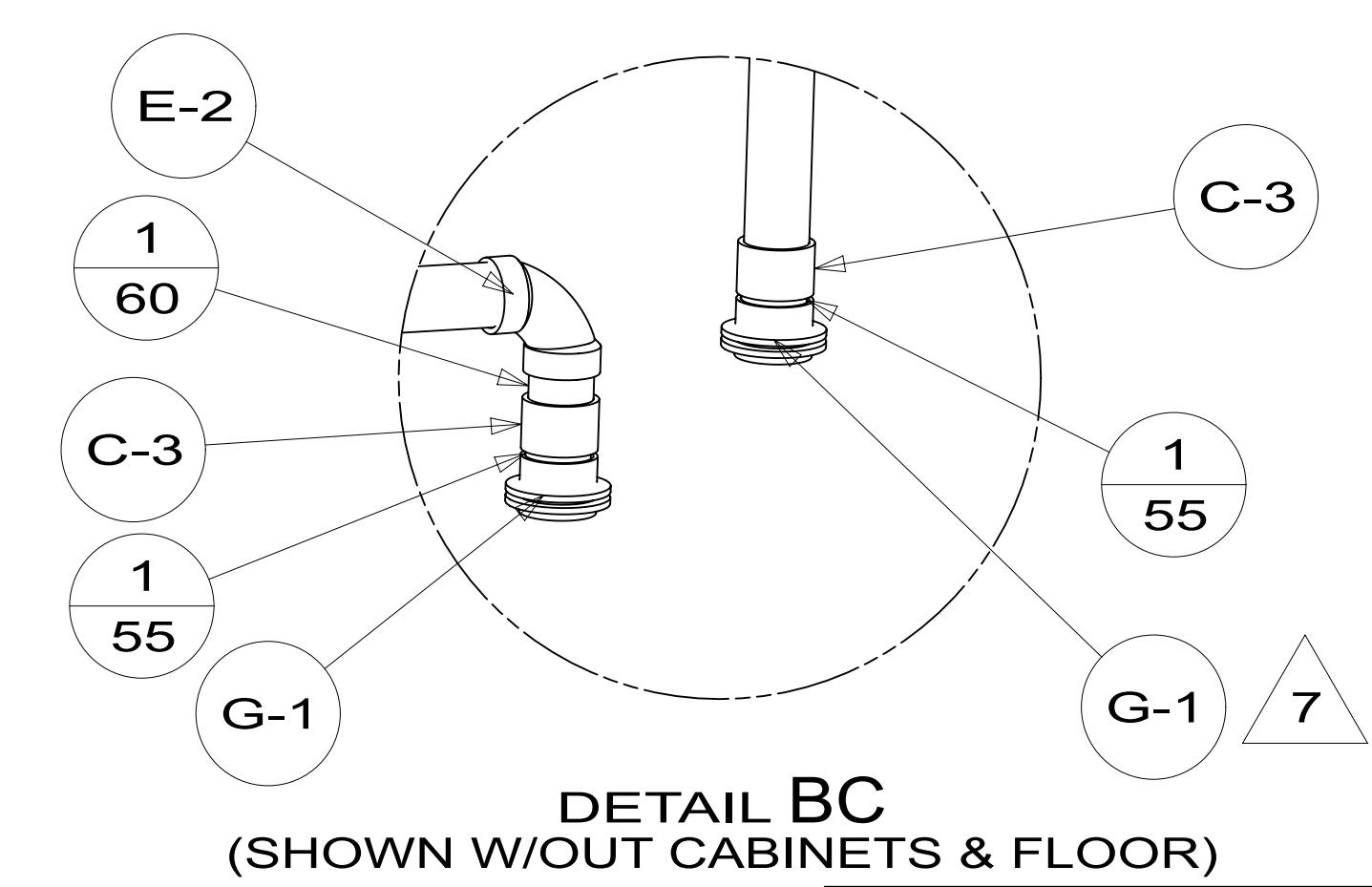
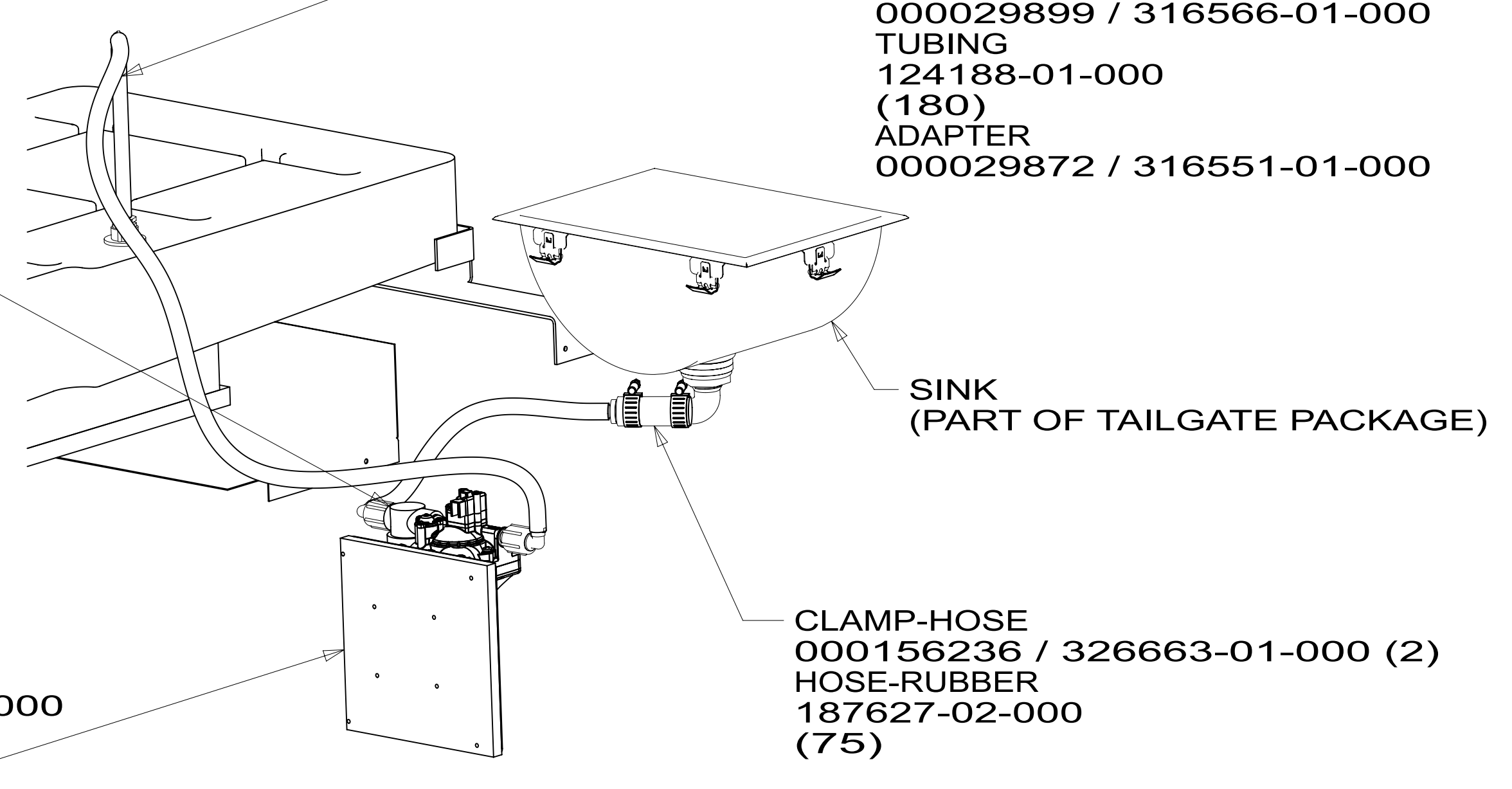


- 4
- STRAINER
066440-01-000
 - SEALER
069640-01-000
 - WASHER-RUBBER
000156082 / 326591-01-CHT



- FILTER
000155941 / 326602-01-CHT
- ELBOW
000029865 / 316549-01-000
- TUBING-FLEX
112176-01-000
(310)
- ADAPTER
000042552 / 320142-01-000

- TUBING-FLEX
112176-01-000
(1150)
- ELBOW
000029865 / 316549-01-000
- ELBOW
000029899 / 316566-01-000
- TUBING
124188-01-000
(180)
- ADAPTER
000029872 / 316551-01-000



22 E31B

DESCRIPTION: DRAINAGE SYSTEM INSTL		
SHEET: 2 OF 4	ITEM/PART NO: 000235928 / 34552701000	REV
		30-Apr-2024

8

7

6

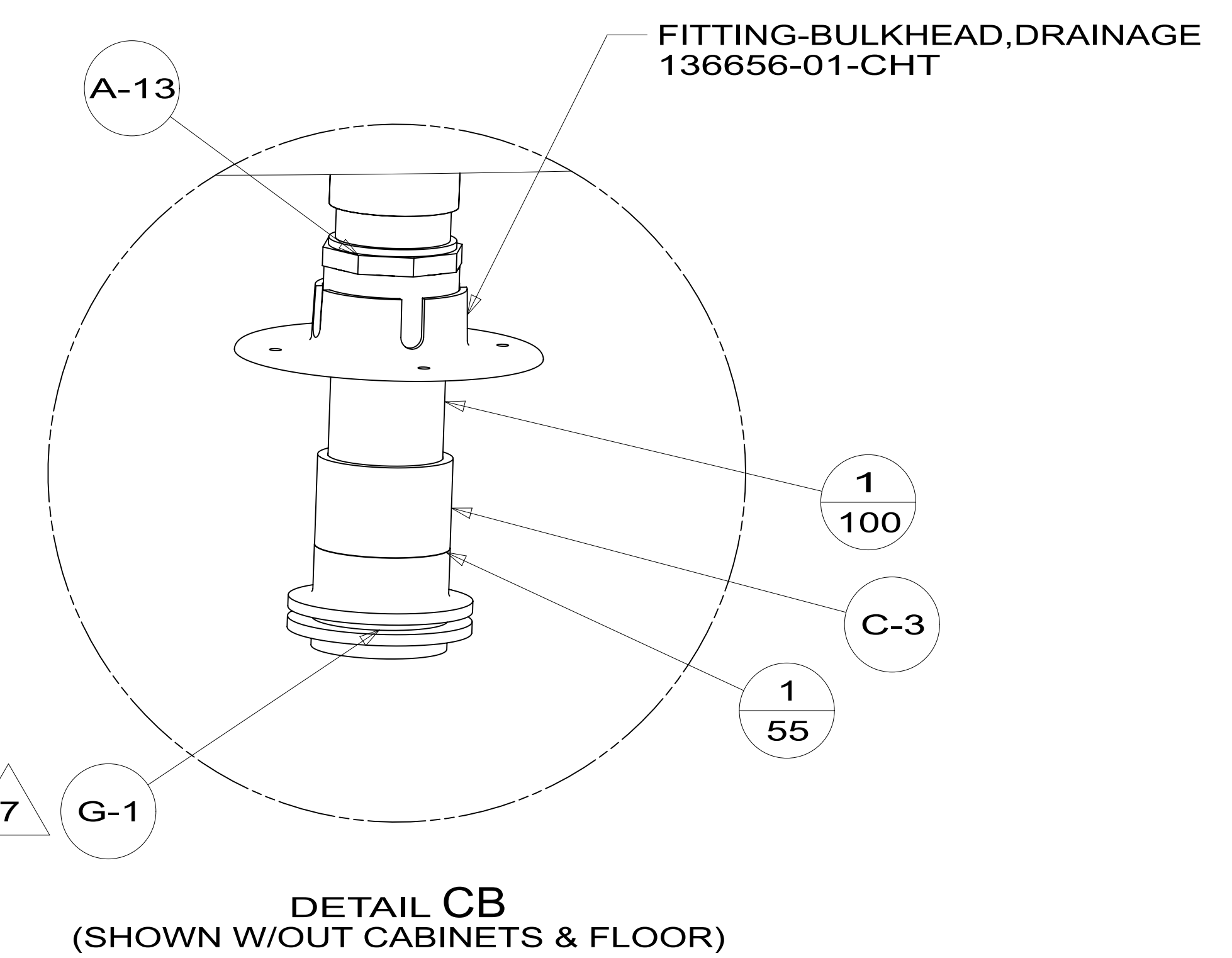
5

4

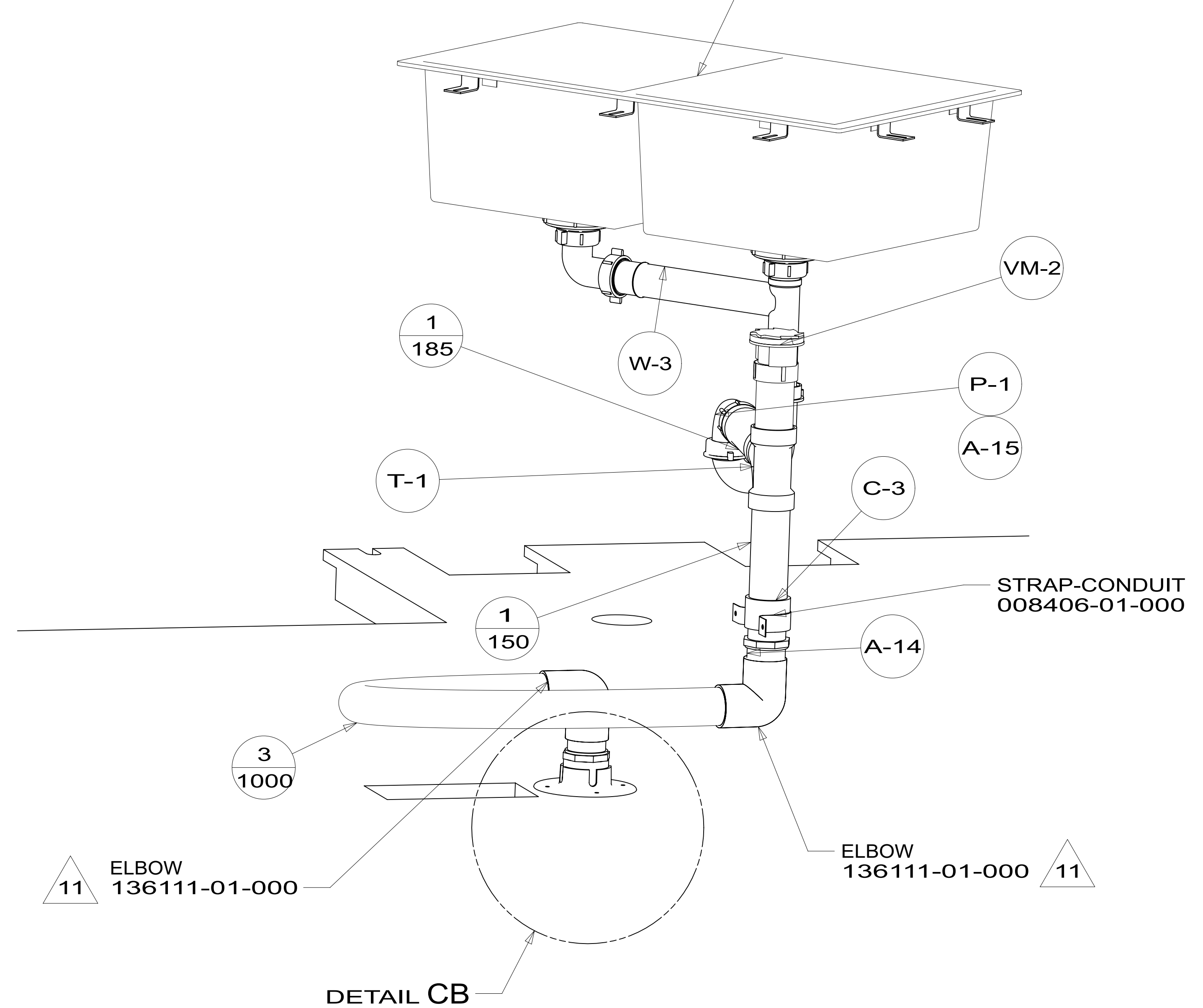
3

2

1



4 SINK-GALLEY,DBL,16X27X7
000177390 / 333238-01-CHT
STRAINER
092303-01-000 (2)
ANGLE-FORMED,W/SLOT
140002-01-CHT(10)



VIEW CA

22 E31B

DESCRIPTION: DRAINAGE SYSTEM INSTL		
SHEET: 3 OF 4	ITEM/PART NO: 000235928 / 34552701000	REV

8

7

6

5

4

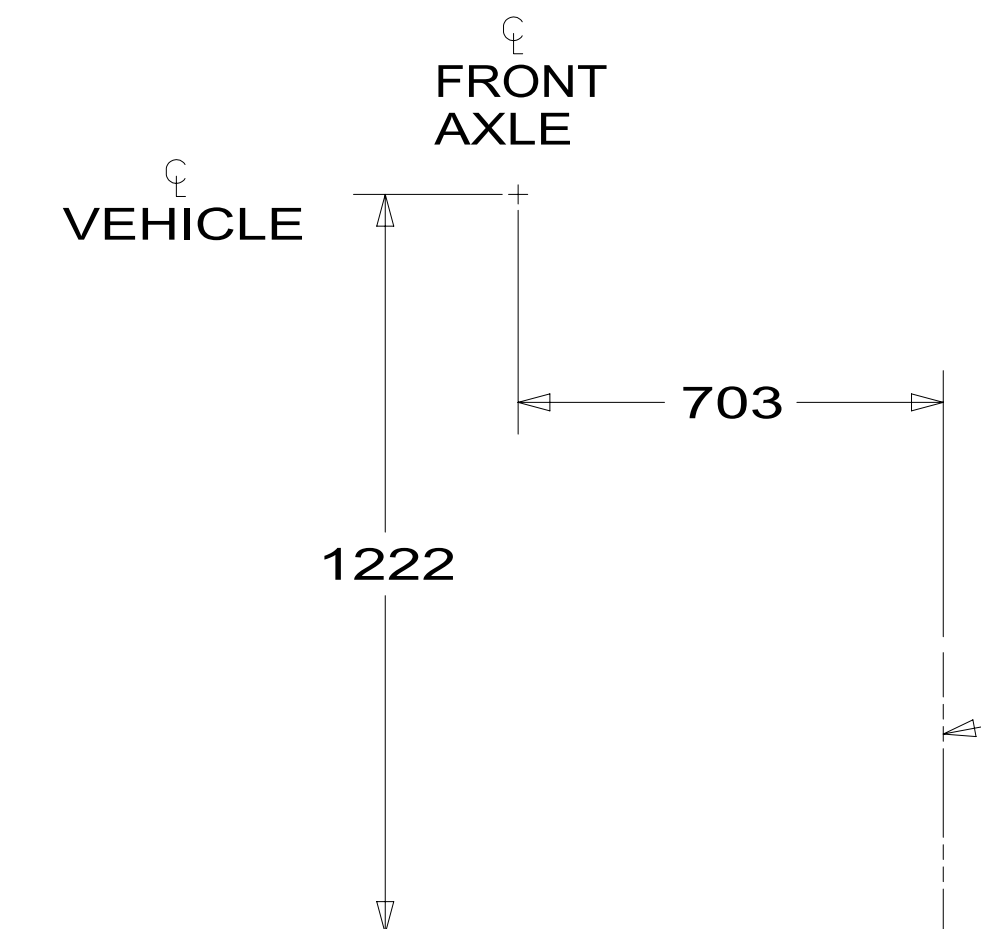
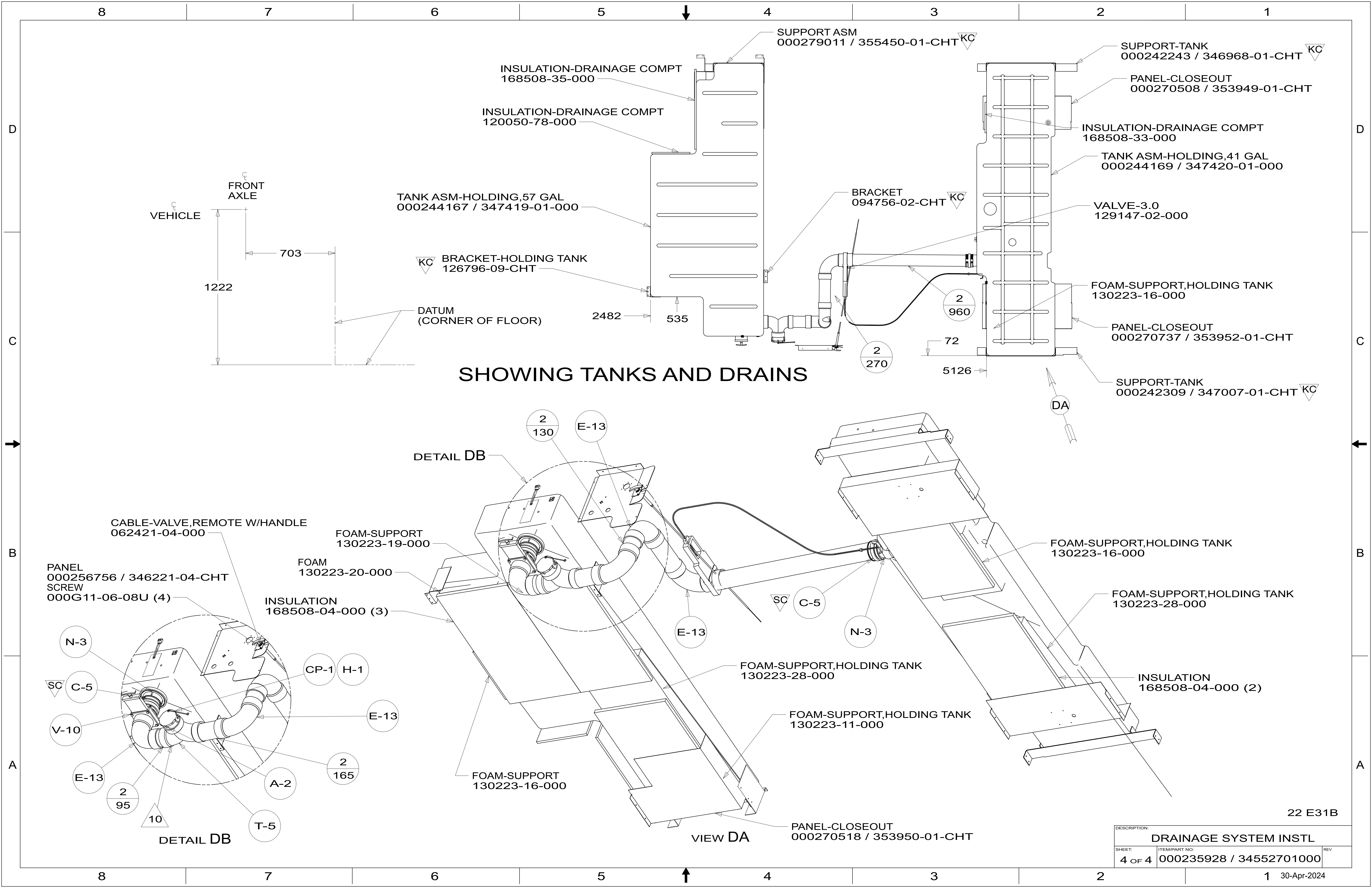
3

2

1



1 30-Apr-2024



SHOWING TANKS AND DRAINS

TANK ASM-HOLDING, 57 GAL
000244167 / 347419-01-000

INSULATION-DRAINAGE COMPT
168508-35-000

INSULATION-DRAINAGE COMPT
120050-78-000

BRACKET-HOLDING TANK
126796-09-CHT

SUPPORT-TANK
000242243 / 346968-01-CHT

PANEL-CLOSEOUT
000270508 / 353949-01-CHT

INSULATION-DRAINAGE COMPT
168508-33-000

TANK ASM-HOLDING, 41 GAL
000244169 / 347420-01-000

VALVE-3.0
129147-02-000

FOAM-SUPPORT, HOLDING TANK
130223-16-000

PANEL-CLOSEOUT
000270737 / 353952-01-CHT

SUPPORT-TANK
000242309 / 347007-01-CHT

CABLE-VALVE, REMOTE W/HANDLE
062421-04-000

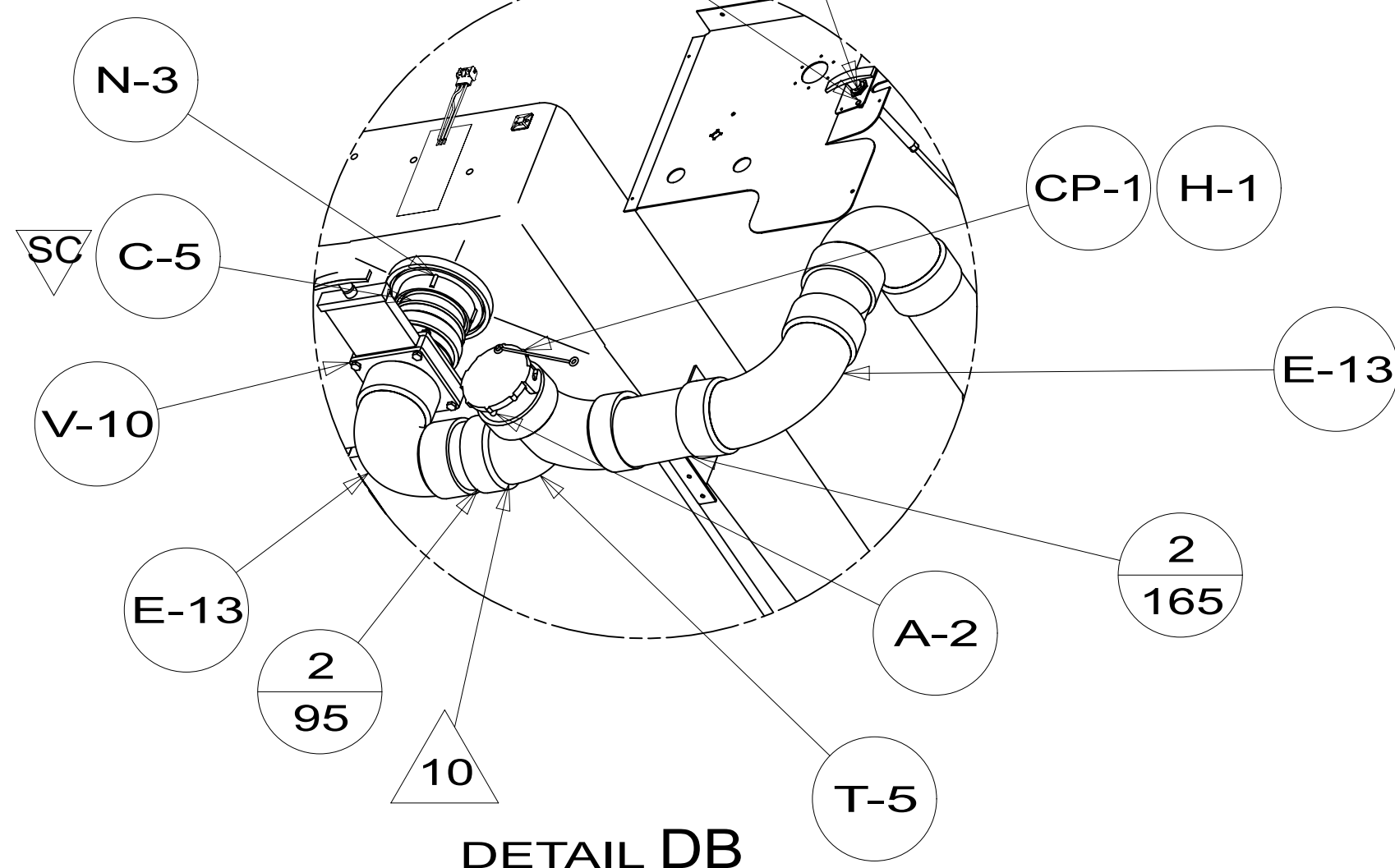
PANEL
000256756 / 346221-04-CHT

SCREW
000G11-06-08U (4)

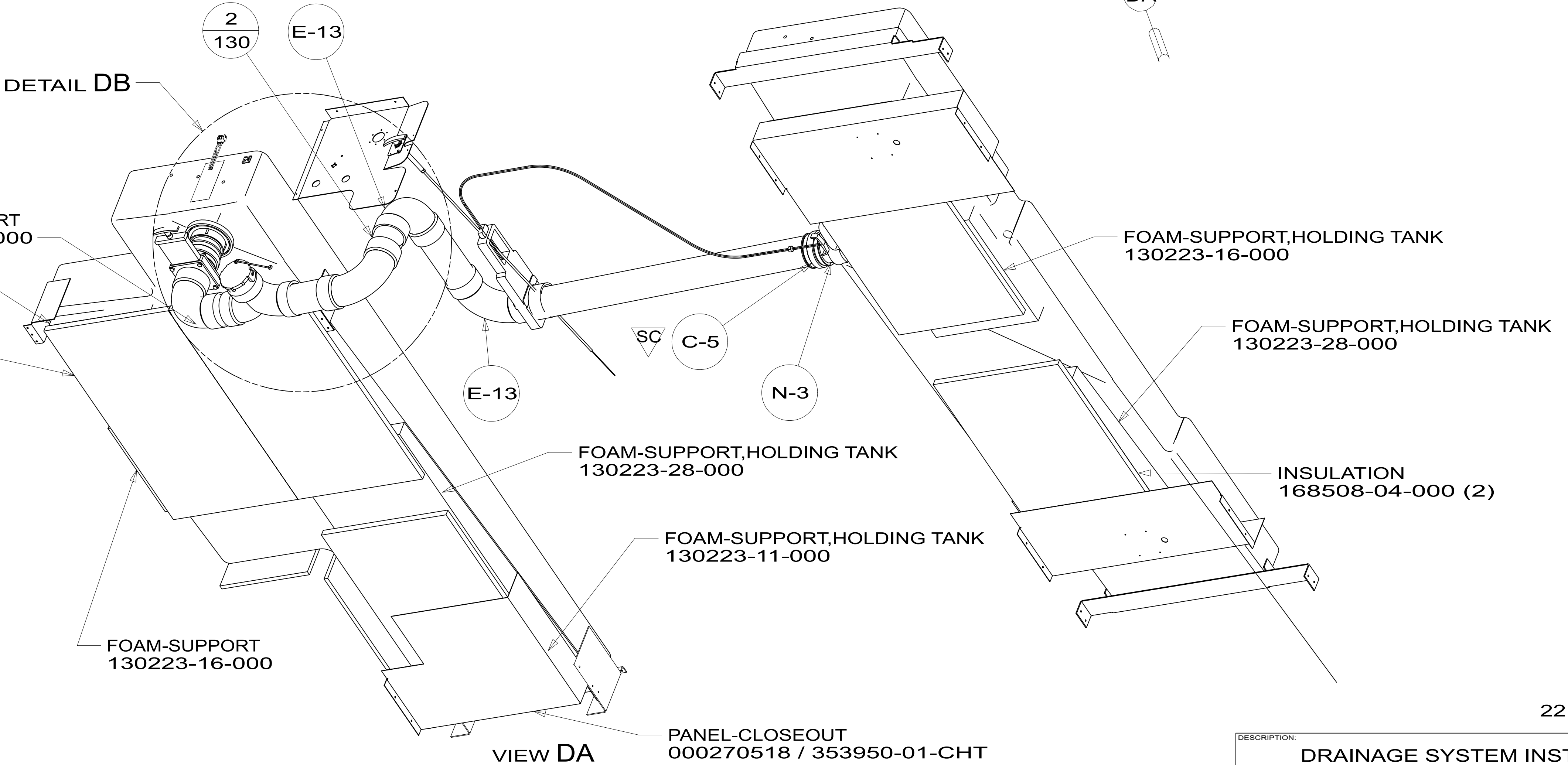
INSULATION
168508-04-000 (3)

FOAM-SUPPORT
130223-19-000

FOAM
130223-20-000



DETAIL DB



VIEW DA

22 E31B

DESCRIPTION: DRAINAGE SYSTEM INSTL		
SHEET: 4 OF 4	ITEM/PART NO: 000235928 / 34552701000	REV