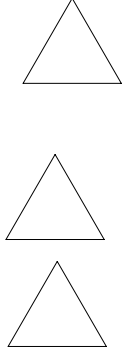


15. APPLY 1/4" BEAD OF SEALANT 328744-02-CHT TO FLANGE BEFORE INSTALLATION.

14. WHEN INSTALLING TOILET ATTACH PLYWOOD TO SUB FLOOR THEN USE SCREW 000G11-08-06U (2) TO LOCATE AND FASTEN STEEL BRACKET TO FLOOR. THEN FASTEN DOWN PLASTIC BRACKETS TO FLOOR USING SUPPLIED HARDWARE. PLACE TOILET OVER THE BRACKETS AND FASTEN USING SUPPLIED HARDWARE AND THEN USE WHITE CAPS TO COVER SCREWS.

13. REMOVE SWIVEL NUT ON TRAP-WATERLESS 165406-01-000, AND CONNECT A-10.



9. SEE DRAWING 061607 FOR INSTALLATION OF GROMMETS.

8. SECURE DRAINAGE PIPES TO CABINET USING WIRE TIE 108046-02-000, AND SCREW 000G67-10-12U AT INTERVALS OF NOT OF NOT MORE THAN 4 FEET APART.

7. SECURE VENT PIPE TO GROMMET WITH CLAMP 000156237 / 326663-02-000.

6. VENT PIPE MUST PROJECT 51 MIN AND 64 MAX ABOVE ROOF FOR PROPER FIT AND FUNCTION. ADD S-1 (000156099 / 326607-01-CHT SEAL-VENT PIPE) AROUND PIPE ON ROOF BEFORE VENT CAP IS INSTALLED.

5. SEAL AROUND SHOWER WITH SILICONE.

4. USE SMOOTH PLUMBERS PUTTY 167459-01-000 TO SEAL STRAINER (0.2 PER STRAINER).

3. ALL PIPE AND FITTINGS TO BE ASSEMBLED WITH SOLVENT 004020-01-000 (USA), 004020-02-000 (CAN)

2. SLOPE OF TRAP ARM MUST BE 6 PER 305 mm.

1. SLOPE OF HORIZONTAL PIPING TO BE MINIMUM OF 3 PER 305 mm.

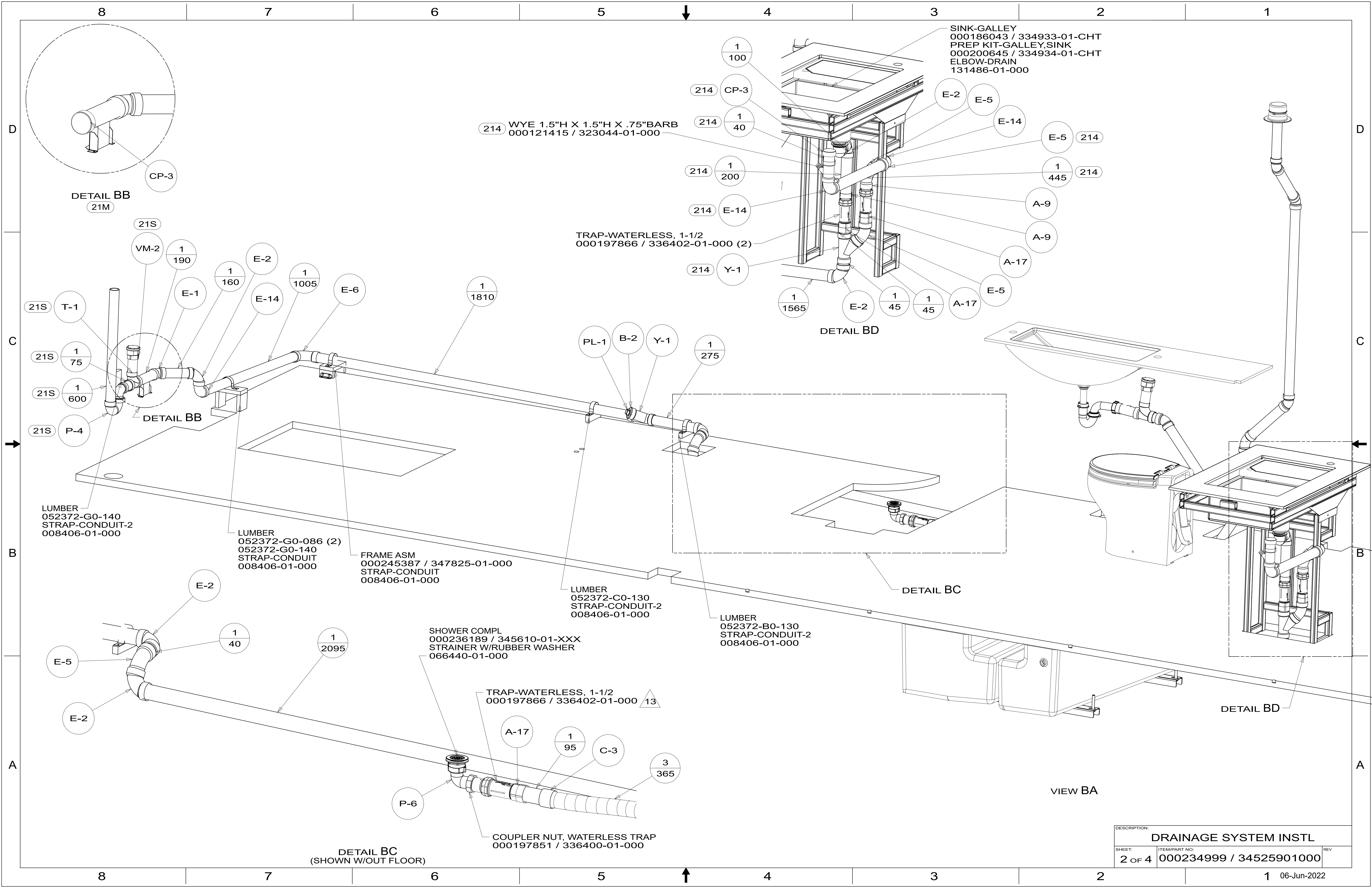
NOTES:

- (21S) WASHER & DRYER-PAIR
- (21M) WASHER/DRYER PREP
- (214) DISHWASHER DRAWER STYLE
- (215) DISHWASHER WITHOUT



DSNR:		ALL DIMENSIONS ARE IN MILLIMETERS	
DFTR:		MATERIAL:	
UNSPECIFIED TOLERANCES:			
WHOLE DIM (X)	3		
ONE-PLACE (X.X)	1.5		
TWO-PLACE (X.XX)	0.50		
ANGLE	1°		
REFER TO ES0018 FOR FASTENER TIGHTENING GUIDELINES		WEIGHT: (LBS)	FIRST USED: (REF)
			22 N36K
DRAINAGE SYSTEM INSTL			
SHEET:	ITEM/PART NO.:	REV	
1 OF 4	000234999 / 34525901000		

X-X
FOR
DRAINAGE
CALLOUTS
SEE DWG NO.
000211962 /
303370-01-000



SINK-GALLEY
 000186043 / 334933-01-CHT
 PREP KIT-GALLEY,SINK
 000200645 / 334934-01-CHT
 ELBOW-DRAIN
 131486-01-000

214 WYE 1.5"H X 1.5"H X .75"BARB
 000121415 / 323044-01-000

TRAP-WATERLESS, 1-1/2
 000197866 / 336402-01-000 (2)

SHOWER COMPL
 000236189 / 345610-01-XXX
 STRAINER W/RUBBER WASHER
 066440-01-000

TRAP-WATERLESS, 1-1/2
 000197866 / 336402-01-000 13

COUPLER NUT, WATERLESS TRAP
 000197851 / 336400-01-000

LUMBER
 052372-G0-140
 STRAP-CONDUIT-2
 008406-01-000

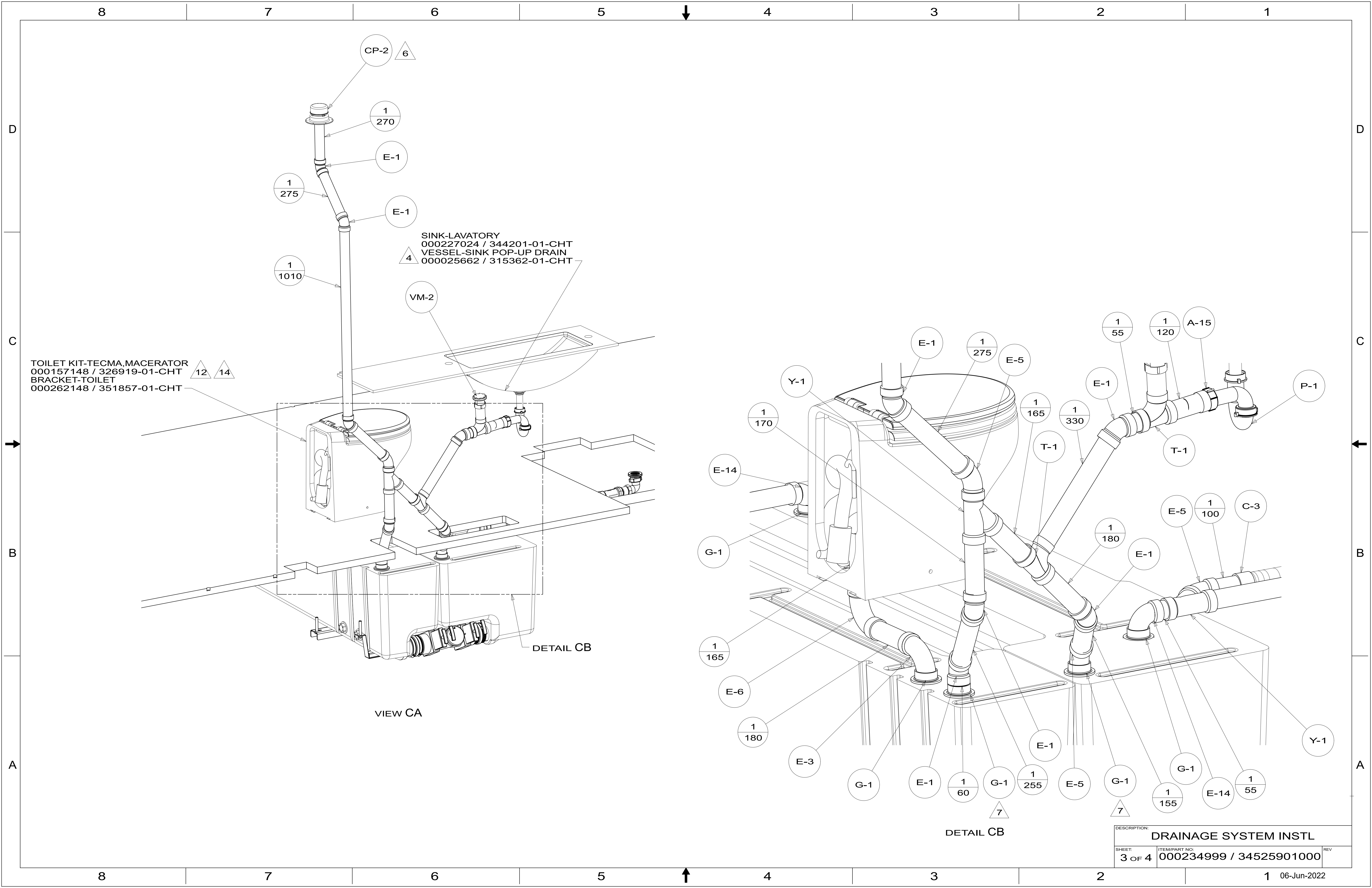
LUMBER
 052372-G0-086 (2)
 052372-G0-140
 STRAP-CONDUIT
 008406-01-000

FRAME ASM
 000245387 / 347825-01-000
 STRAP-CONDUIT
 008406-01-000

LUMBER
 052372-C0-130
 STRAP-CONDUIT-2
 008406-01-000

LUMBER
 052372-B0-130
 STRAP-CONDUIT-2
 008406-01-000

DESCRIPTION: DRAINAGE SYSTEM INSTL		
SHEET: 2 OF 4	ITEM/PART NO: 000234999 / 34525901000	REV



TOILET KIT-TECMA,MACERATOR
000157148 / 326919-01-CHT
BRACKET-TOILET
000262148 / 351857-01-CHT

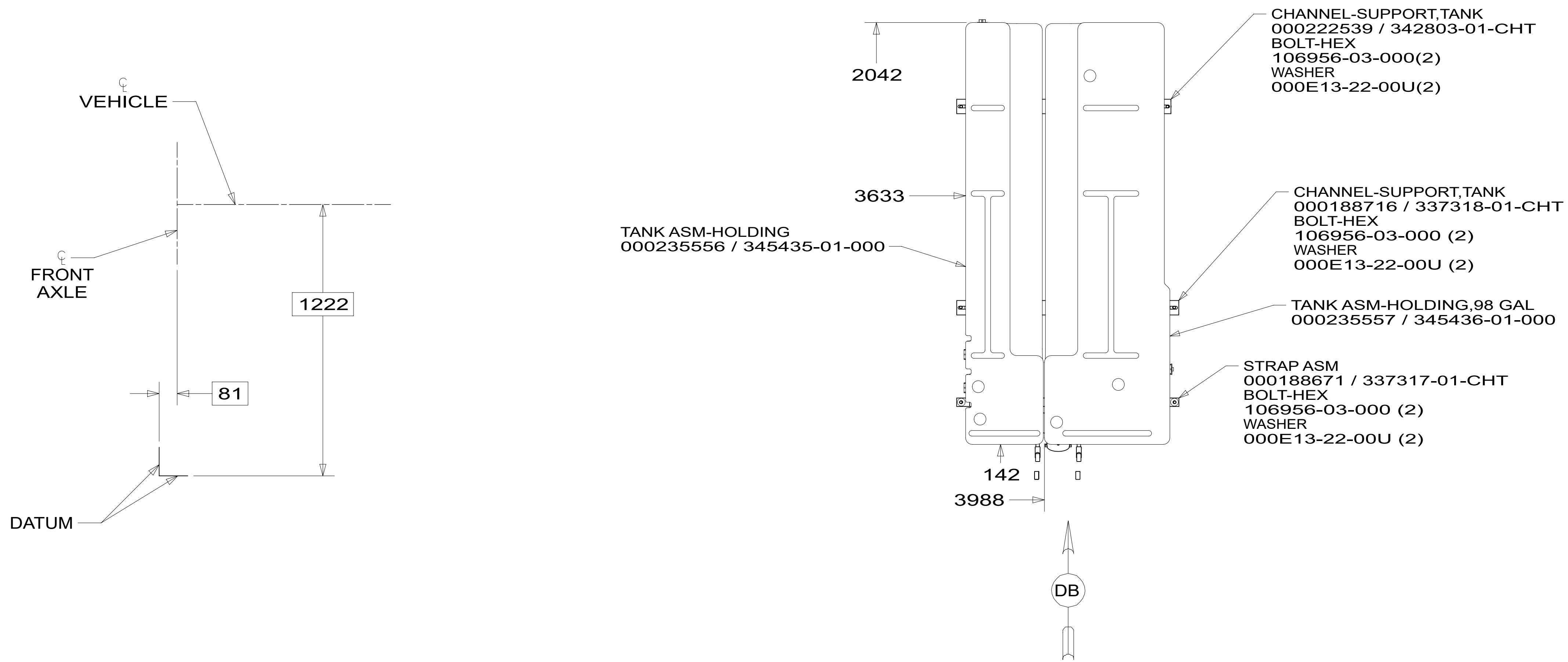
SINK-LAVATORY
000227024 / 344201-01-CHT
VESSEL-SINK POP-UP DRAIN
000025662 / 315362-01-CHT

VIEW CA

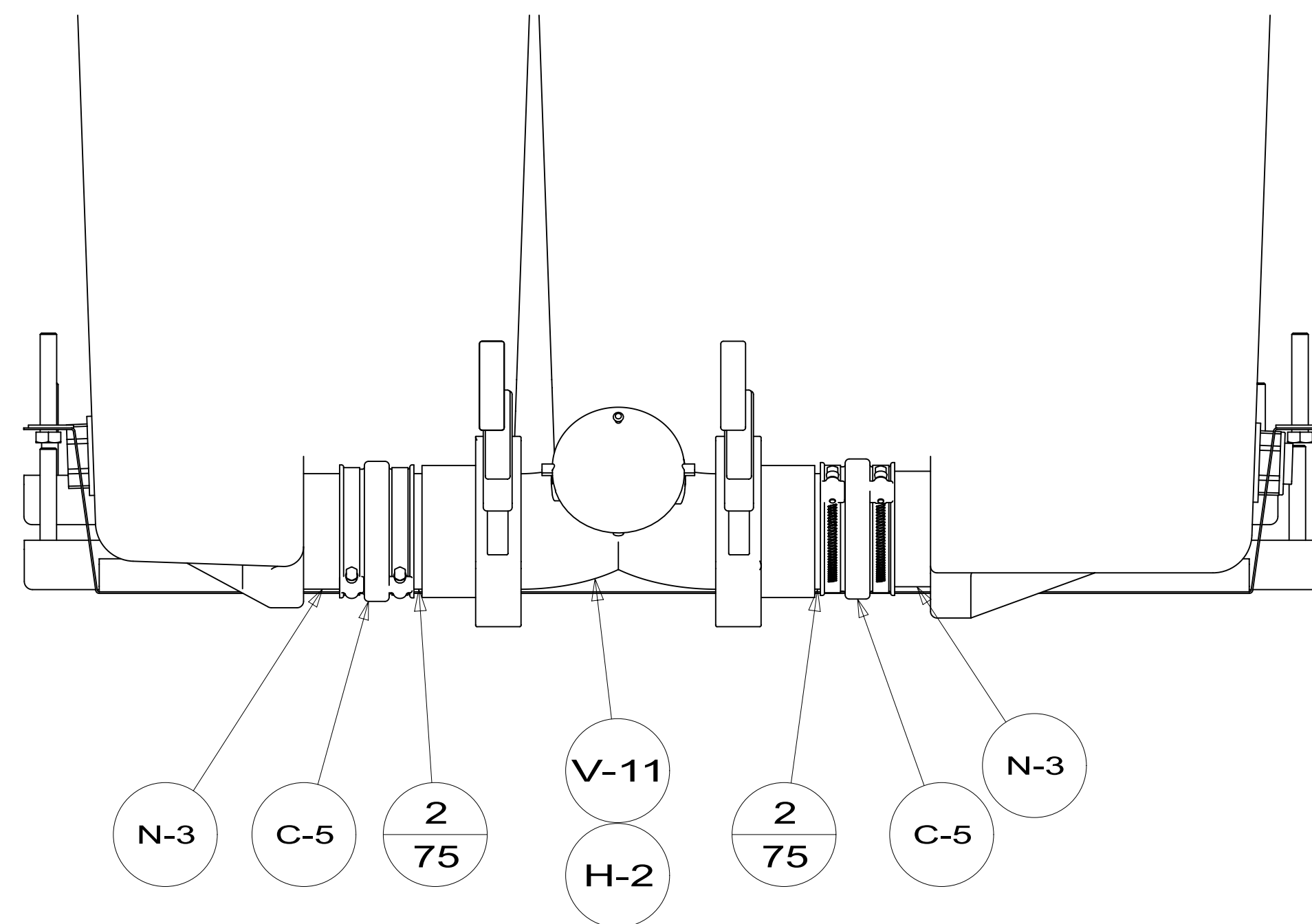
DETAIL CB

DETAIL CB

DESCRIPTION: DRAINAGE SYSTEM INSTL		
SHEET: 3 OF 4	ITEM/PART NO: 000234999 / 34525901000	REV



TOP VIEW SHOWING ONLY DRAINS AND TANKS



VIEW DB

DESCRIPTION: DRAINAGE SYSTEM INSTL		
SHEET: 4 OF 4	ITEM/PART NO: 000234999 / 34525901000	REV