

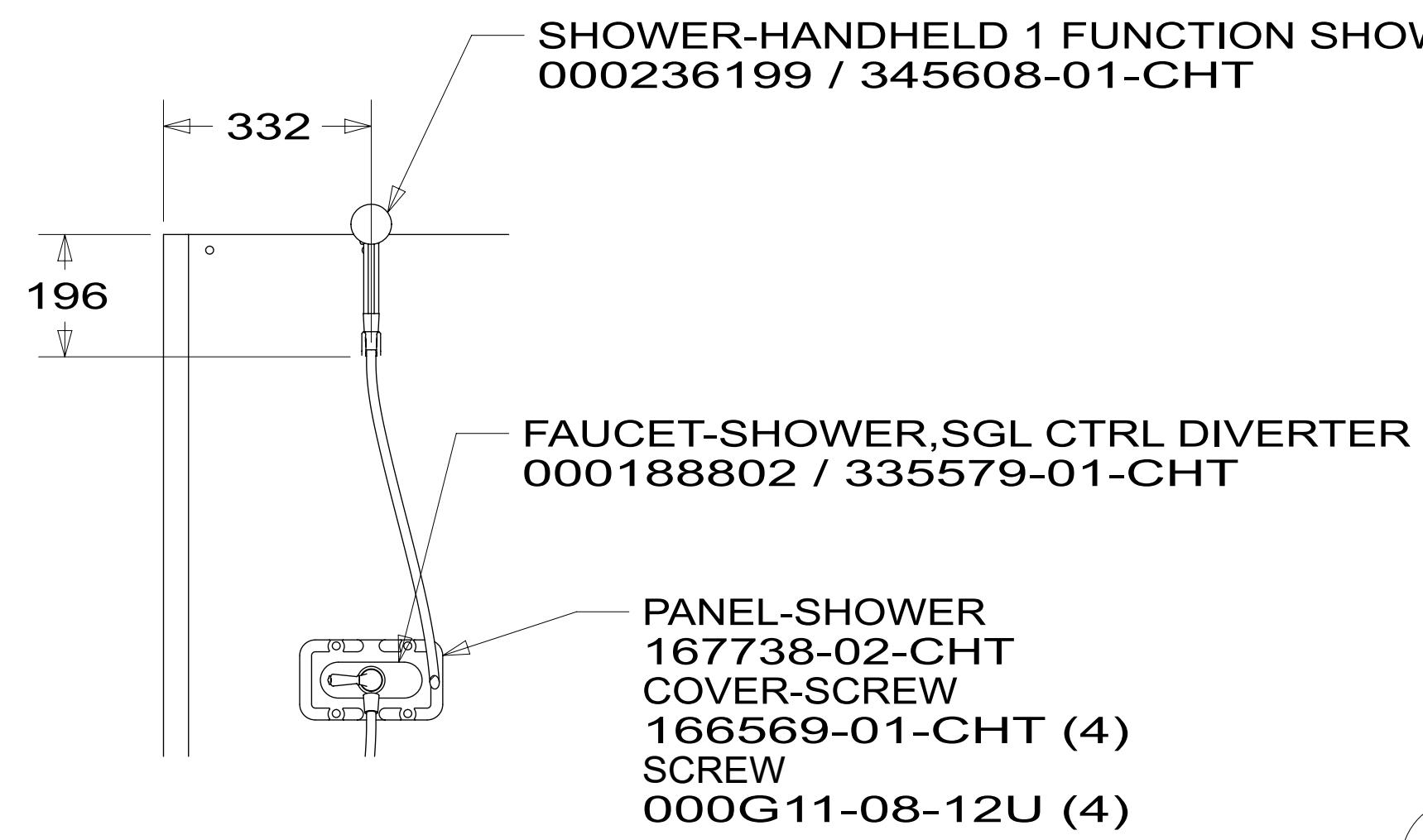
- NOTES:
1. PLASTIC FITTINGS TO BE SEALED WITH SEALANT 084456-01-000.
 2. TUBING TO BE INSTALLED WITH SUFFICIENT SLOPE TO PROVIDE DRAINAGE TO NEAREST VALVE.
 3. ALL TUBING TO BE SECURED AT 1200 INTERVALS MAXIMUM WITH CLAMP 010495-01-000 AND SCREW 000G67-10-12U OR EQUIVALENT.
 4. ADD TEFLON TAPE 010405-02-000.
 5. ADD PIPE WRAP (LADDER SCRAP 110157-02-000) INSULATION.
 6. LABEL HOT AND COLD SUPPLY TUBES AND TAPE FITTING TO TUBE BEFORE CABINET SET TO PREVENT MOVEMENT.
 7. ALL CRIMP FITTINGS TO 5/8" FLEX TUBING REQUIRE 5/8" CLAMP 000156248 / 326669-01-000.
 8. ALL CRIMP FITTINGS TO 1/2" PEX TUBING REQUIRE 1/2" CLAMP 000156249 / 326670-01-000.
 9. ALL CRIMP FITTINGS TO 3/4" PEX TUBING REQUIRE 3/4" CLAMP 000156247 / 326668-01-000.

X-X

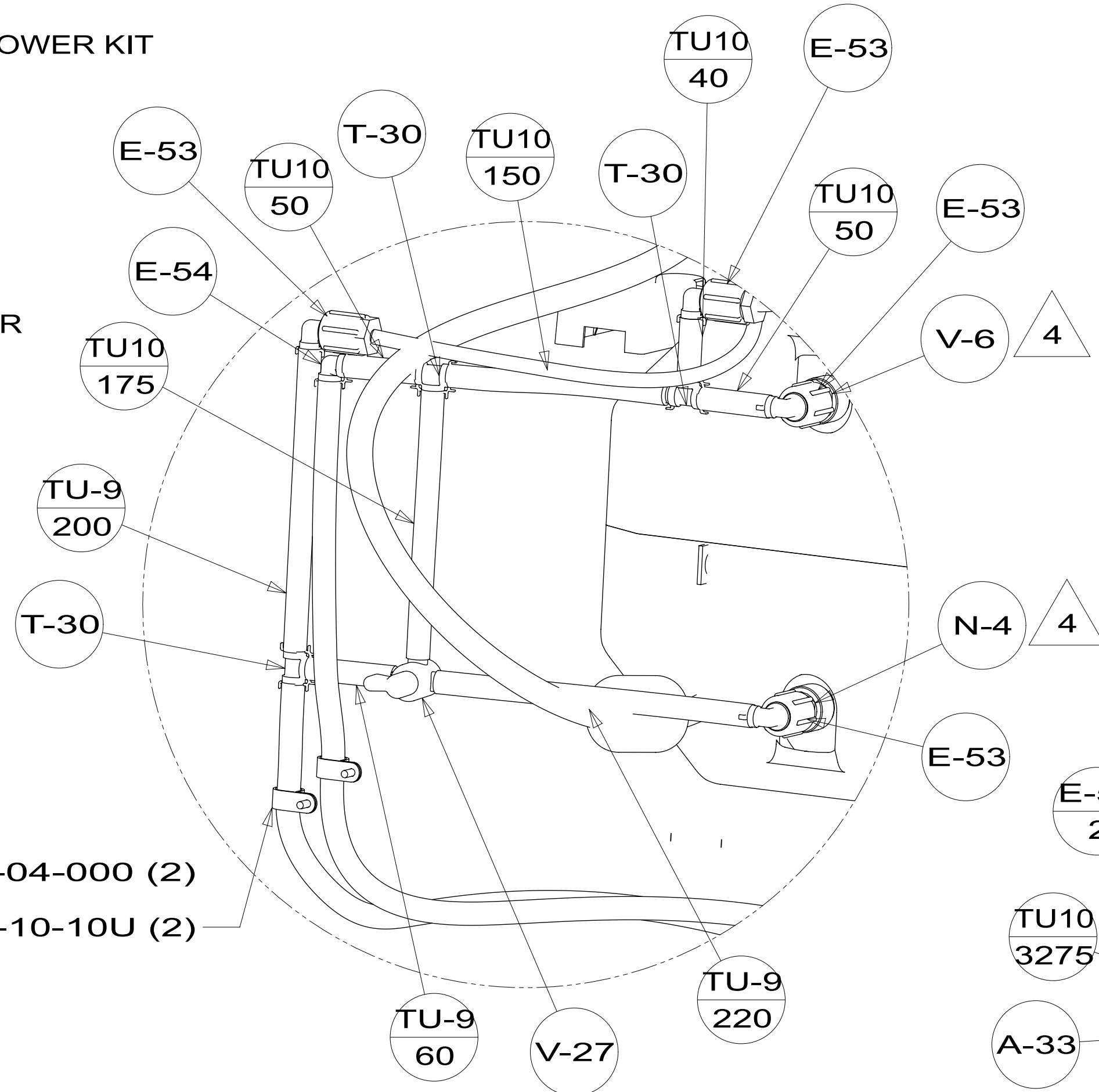
FOR WATER
CALLOUTS
SEE DWG NO.
000209446 /
303369-01-000

- 265 CODES/STANDARDS-CSA/CMVSS
- 1B1 CODES/STANDARDS USA

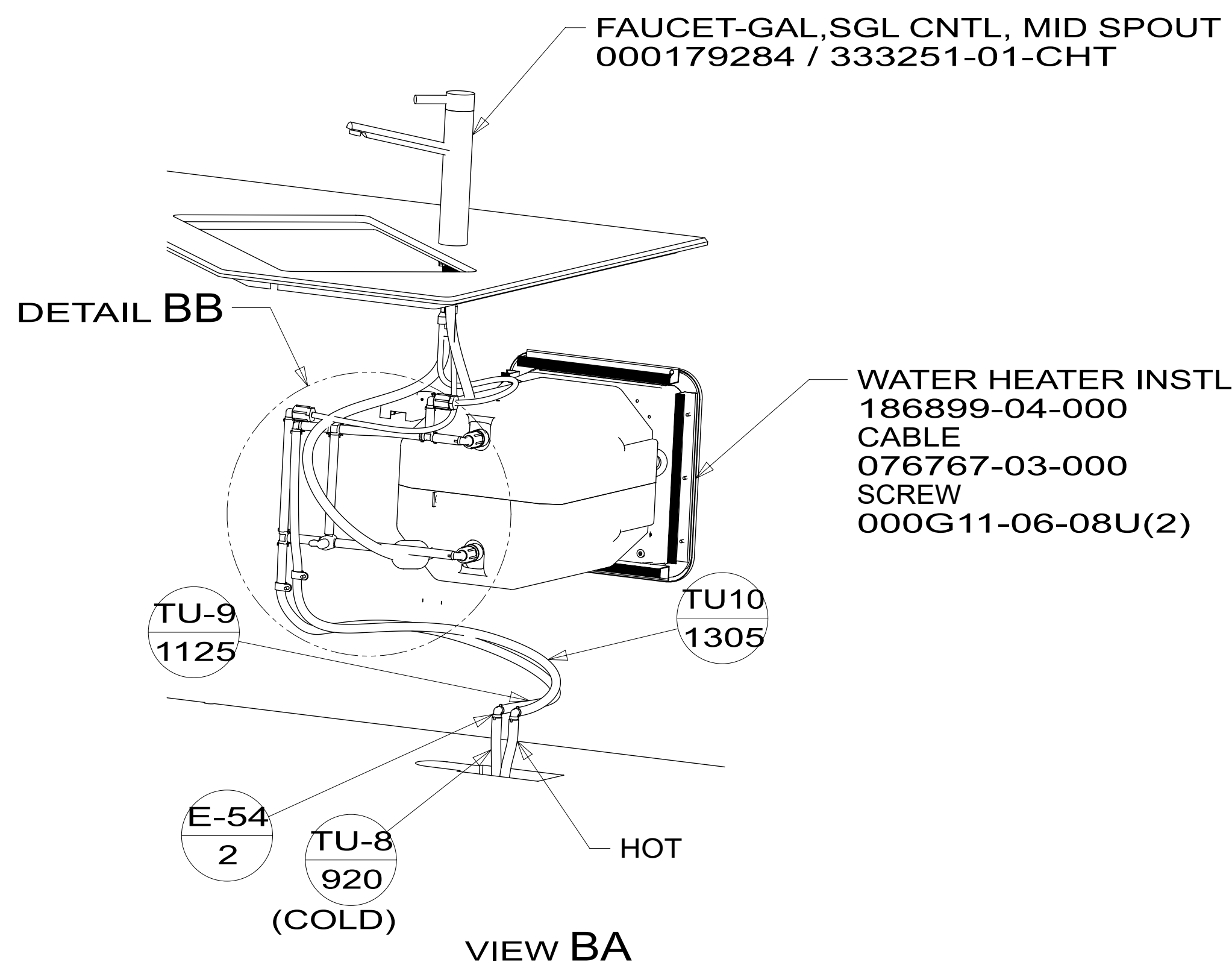
WINNEBAGO [®]		COPYRIGHT 2024 WINNEBAGO INDUSTRIES, INC.	
DSNR:		ALL DIMENSIONS ARE IN MILLIMETERS	
DFTR:		MATERIAL:	
UNSPECIFIED TOLERANCES:		WEIGHT: (LBS)	FIRST USED: (REF)
WHOLE DIM (X)	: 3		22 E29NP
ONE-PLACE (X.X)	: 1.5		
TWO-PLACE (X.XX)	: 0.50		
ANGLE	: 1°		
REFER TO ES0018 FOR FASTENER TIGHTENING GUIDELINES			
DESCRIPTION: WATER SYSTEM INSTL			
SHEET: 1 OF 4	ITEM/PART NO: 000234969 / 34517601000	REV:	
REF:		1 28-Mar-2024	



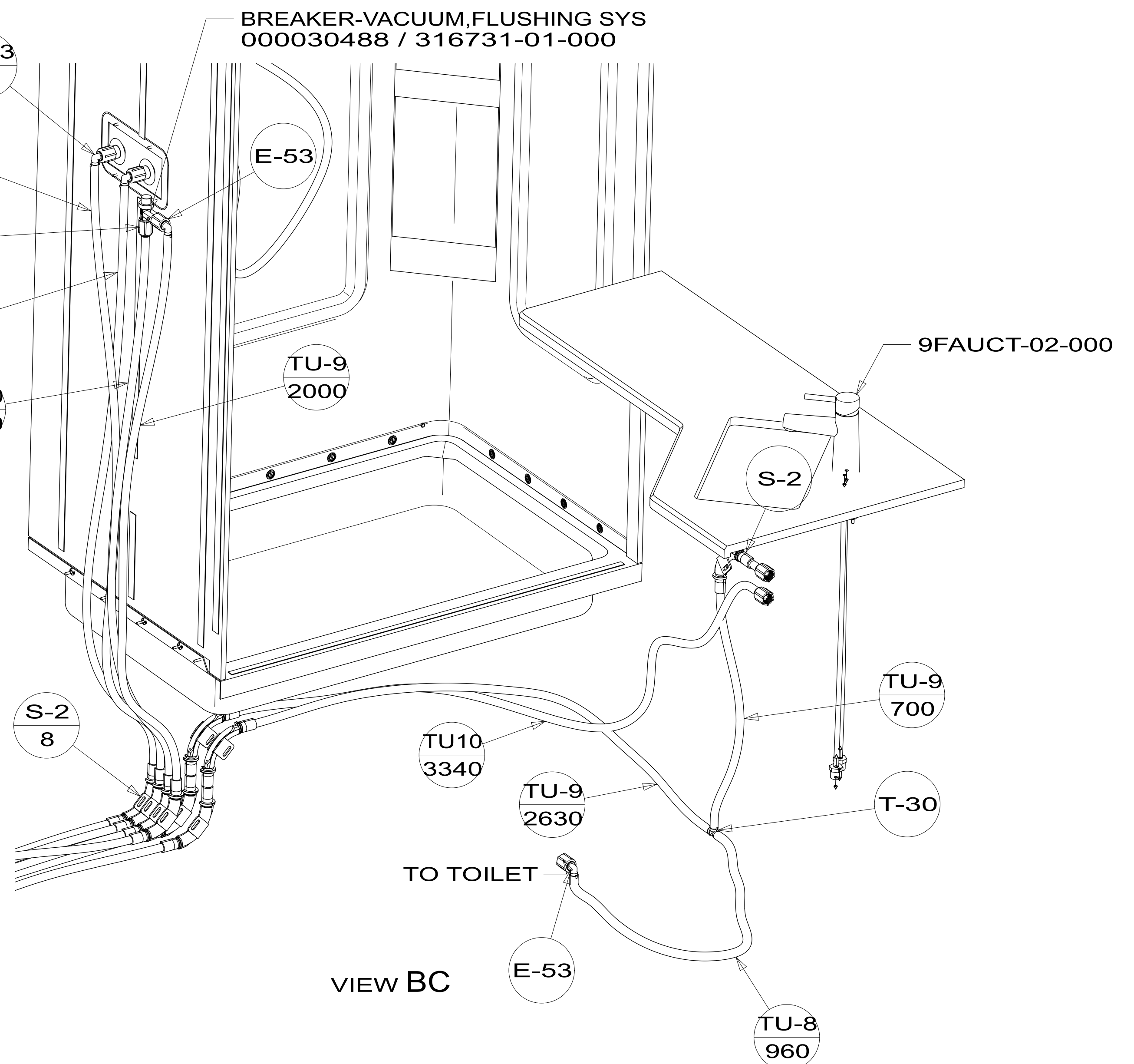
SECTION BD-BD



DETAIL BB
(SHOWN W/OUT CABINETS)

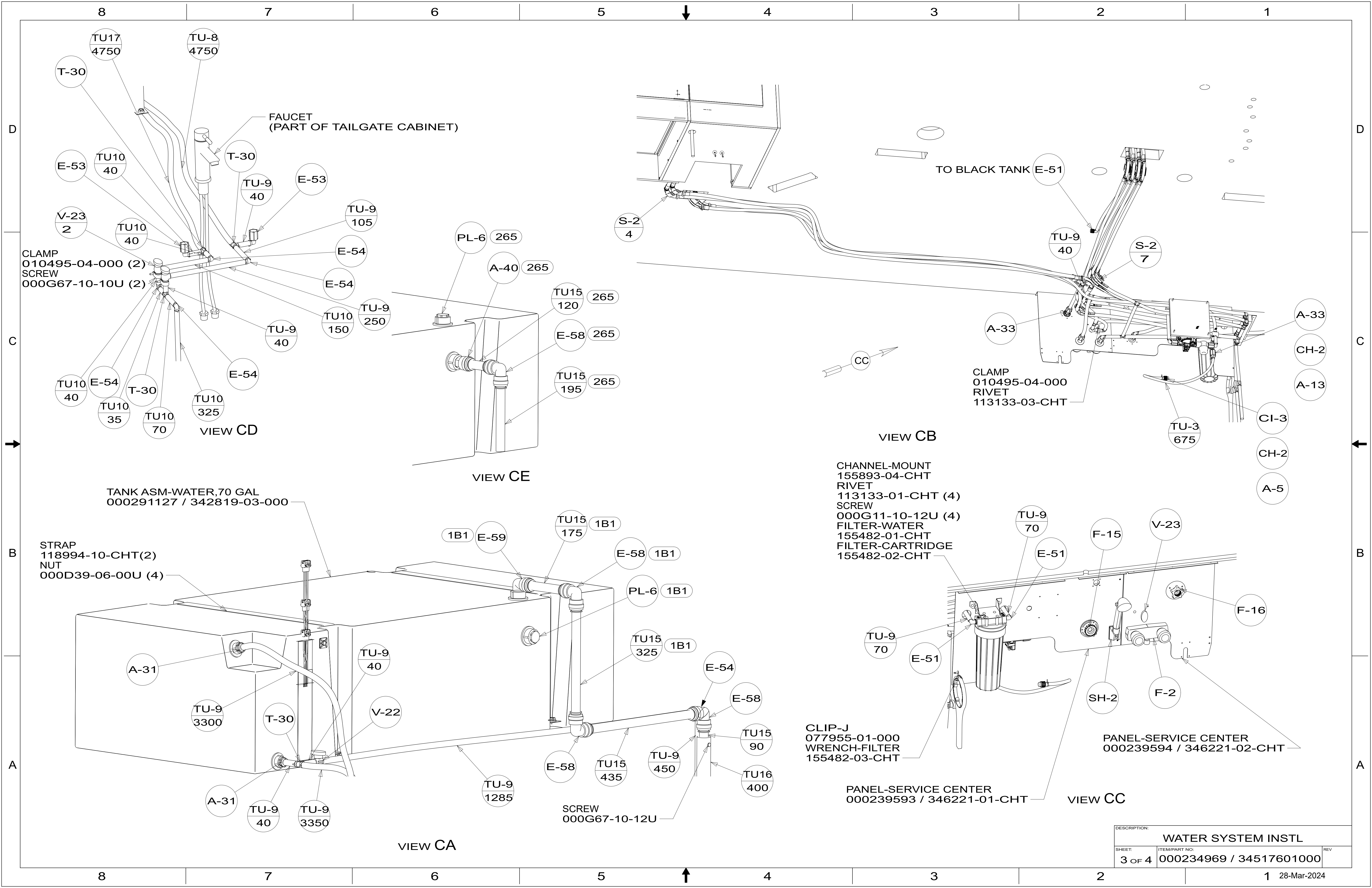


VIEW BA



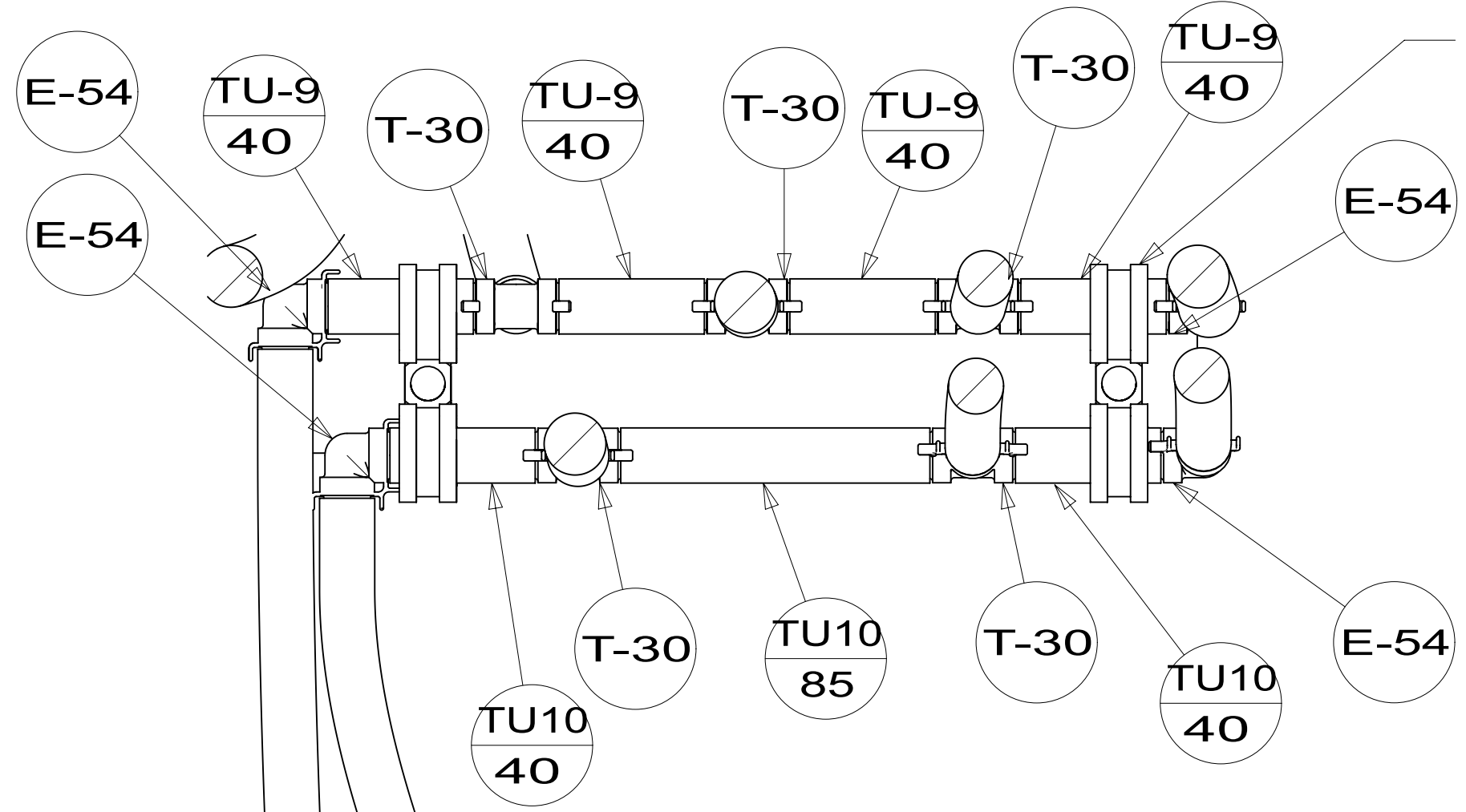
VIEW BC

DESCRIPTION: WATER SYSTEM INSTL		
SHEET: 2 OF 4	ITEM/PART NO: 000234969 / 34517601000	REV
8		1 28-Mar-2024

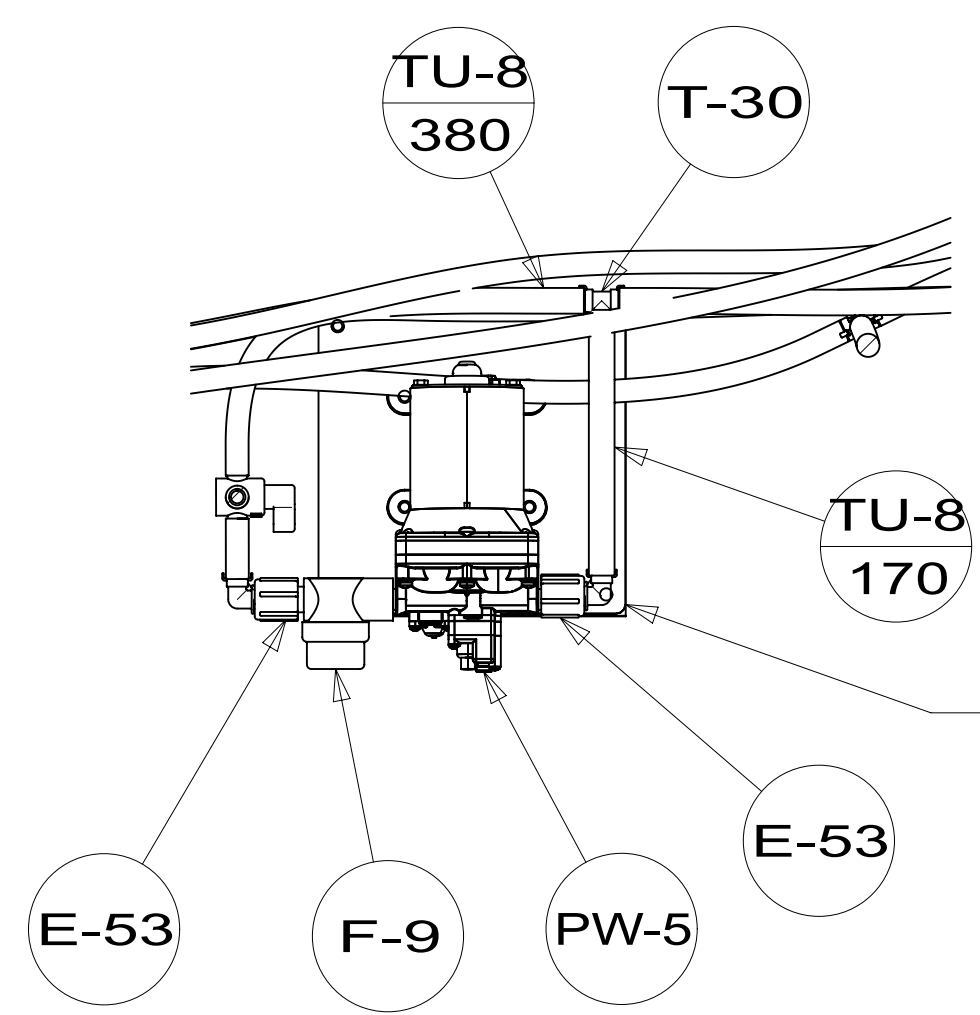


DESCRIPTION:		
WATER SYSTEM INSTL		
SHEET:	ITEM/PART NO.:	REV
3 OF 4	000234969 / 34517601000	

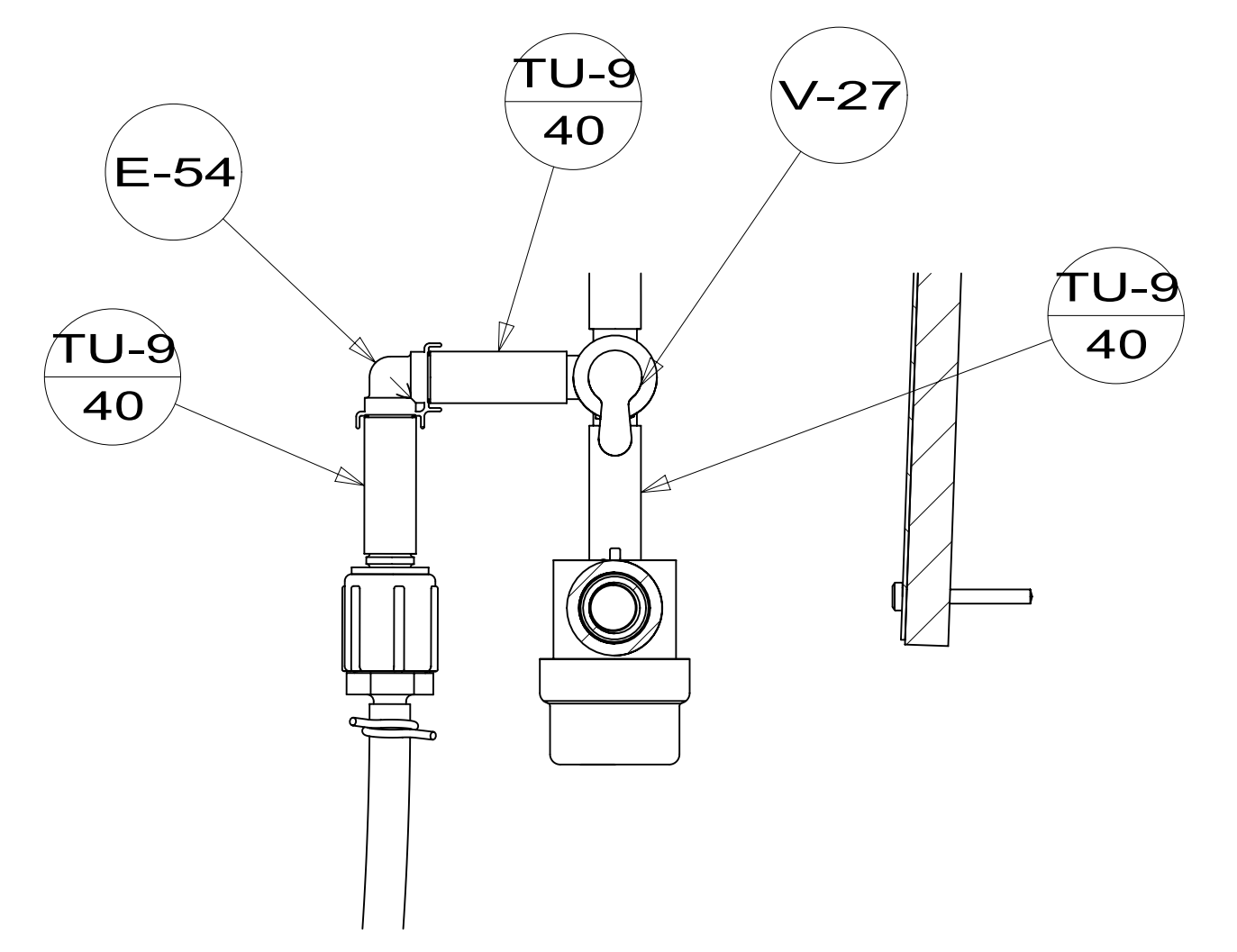
8 7 6 5 4 3 2 1



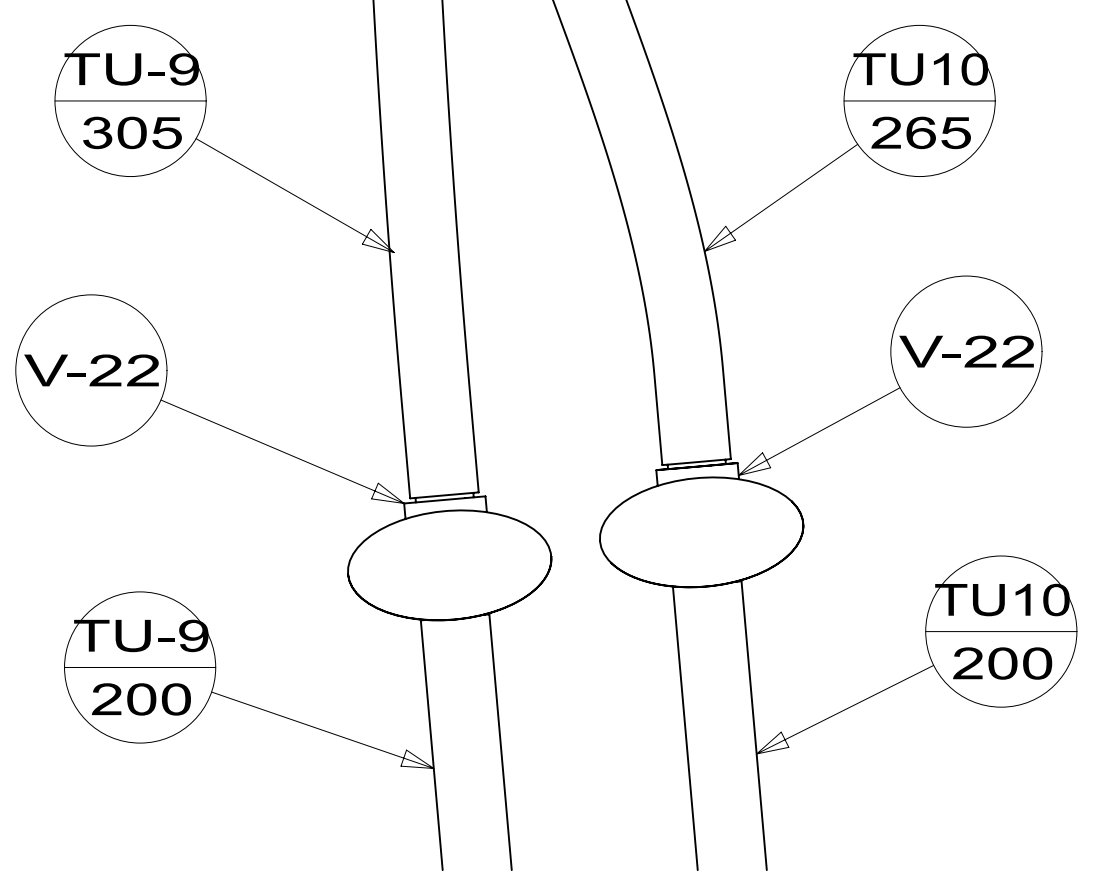
CLAMP
010497-01-000 (4)
SCREW
000G67-10-12U (2)



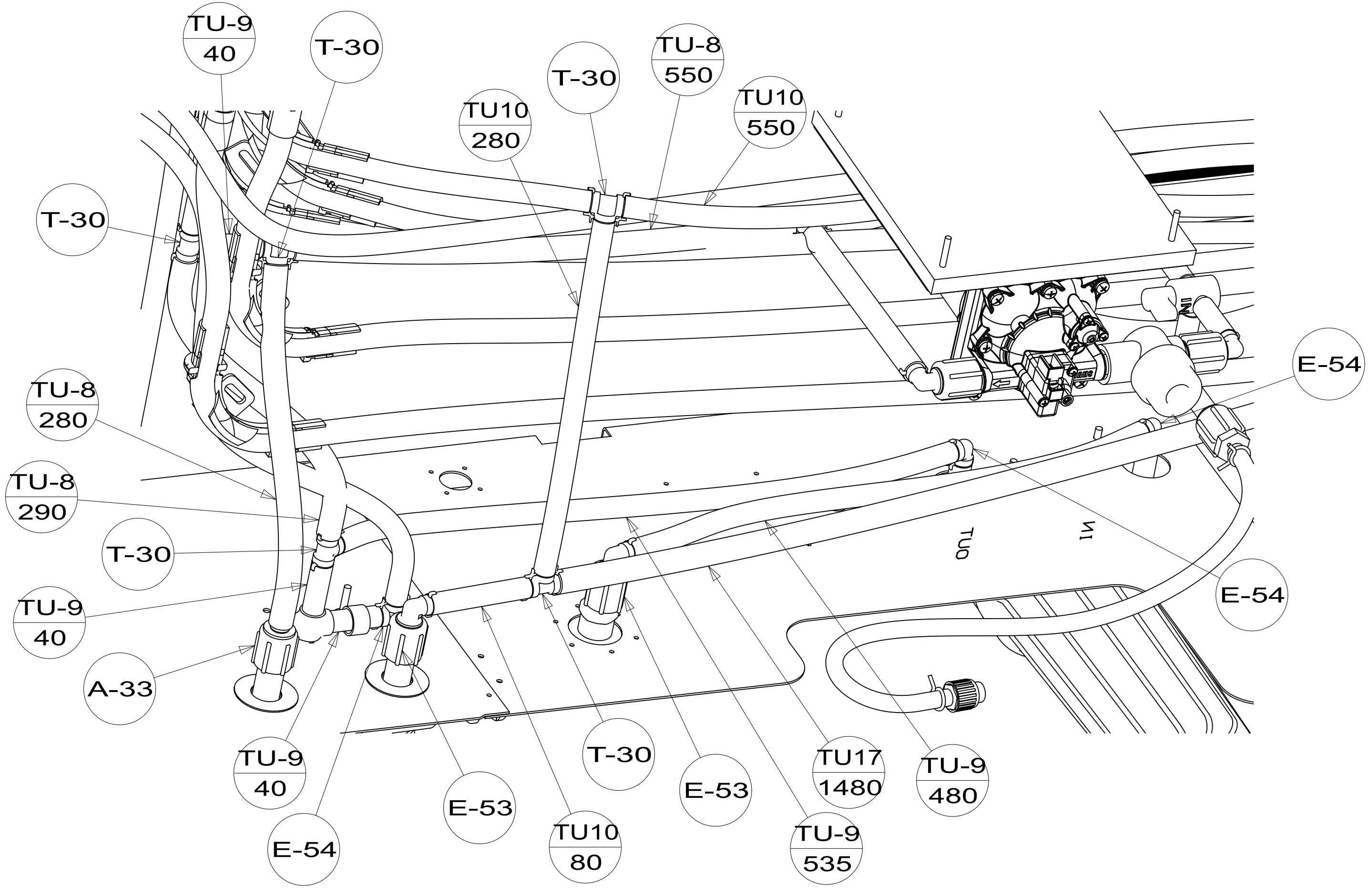
PANEL-WATER PUMP
149477-04-CHT
FOAM
140364-01-CHT
SCREW
000G39-08-24U (4)
SCREW
000G39-08-16U (4)



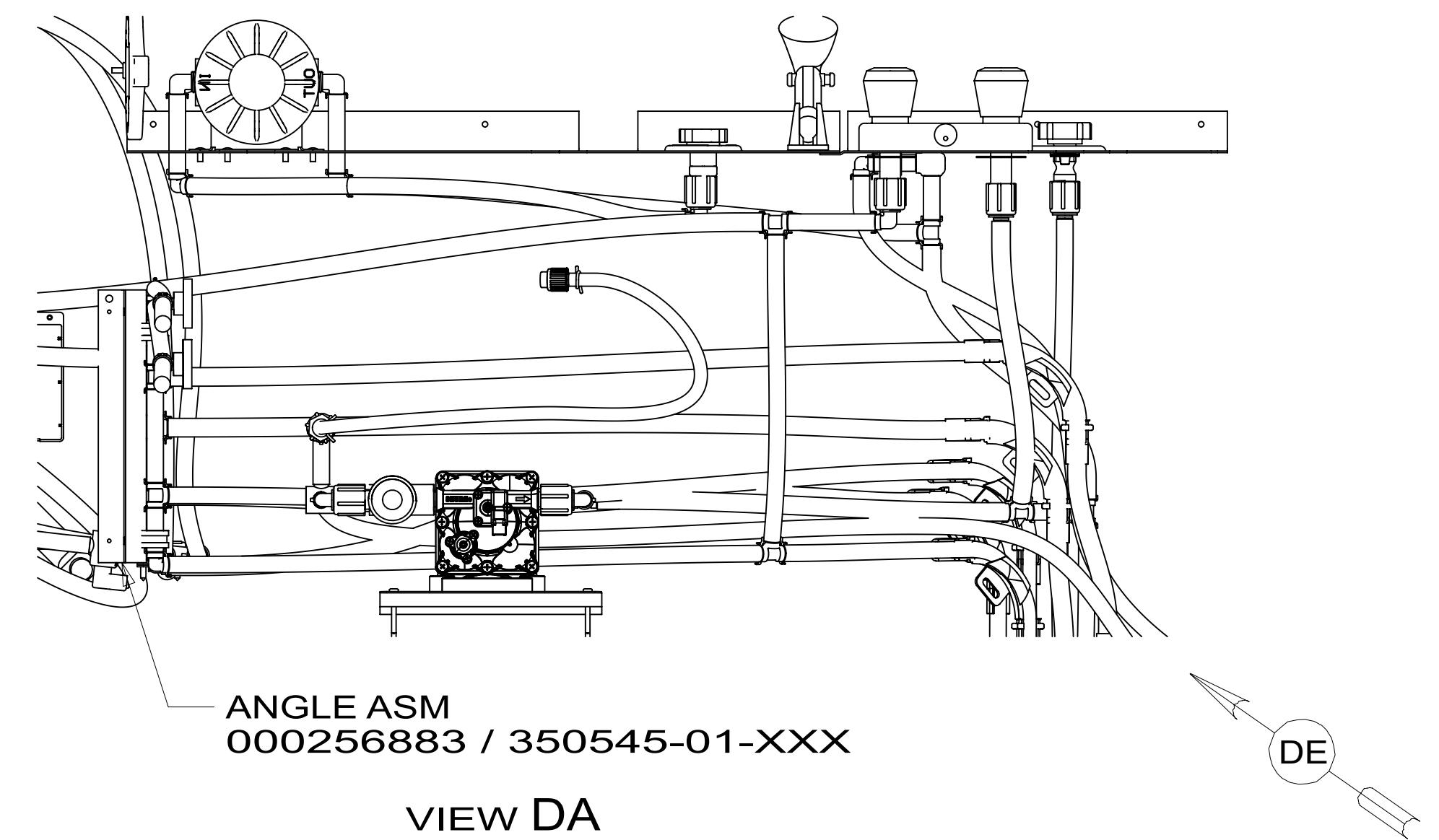
SECTION DC-DC



SECTION DD-DD



VIEW DE



VIEW DA

8 7 6 5 4 3 2 1

DESCRIPTION:		
WATER SYSTEM INSTL		
SHEET:	ITEM/PART NO.:	REV
4 OF 4	000234969 / 34517601000	