

FRONT OF COACH

- NOTES:
1. SLOPE OF HORIZONTAL PIPING TO BE MINIMUM OF 3 PER 305 mm.
 2. SLOPE OF TRAP ARM MUST BE 6 PER 305 mm.
 3. ALL PIPE AND FITTINGS TO BE ASSEMBLED WITH SOLVENT 004020-01-000 (USA), 004020-02-000 (CAN)
 4. USE SMOOTH PLUMBERS PUTTY 167459-01-000 TO SEAL STRAINER (0.2 PER STRAINER).
 5. SEAL AROUND SHOWER WITH SILICONE.
 6. VENT PIPE MUST PROJECT 51 MIN AND 64 MAX ABOVE ROOF FOR PROPER FIT AND FUNCTION. ADD S-1 (000156099 / 326607-01-CHT SEAL-VENT PIPE) AROUND PIPE ON ROOF BEFORE VENT CAP IS INSTALLED.
 7. SECURE VENT PIPE TO TANK WITH CLAMP 000156237 / 326663-02-000.
 8. SECURE DRAINAGE PIPES TO CABINET USING WIRE TIE 108046-02-000, AND SCREW 000G67-10-12U AT INTERVALS OF NOT OF NOT MORE THAN 4 FEET APART.
 9. SEE DRAWING 061607 FOR INSTALLATION OF GROMMETS.
 10. USE TEFLON TAPE 010405-01-000 FOR PUMP TO A-12 CONNECTION.

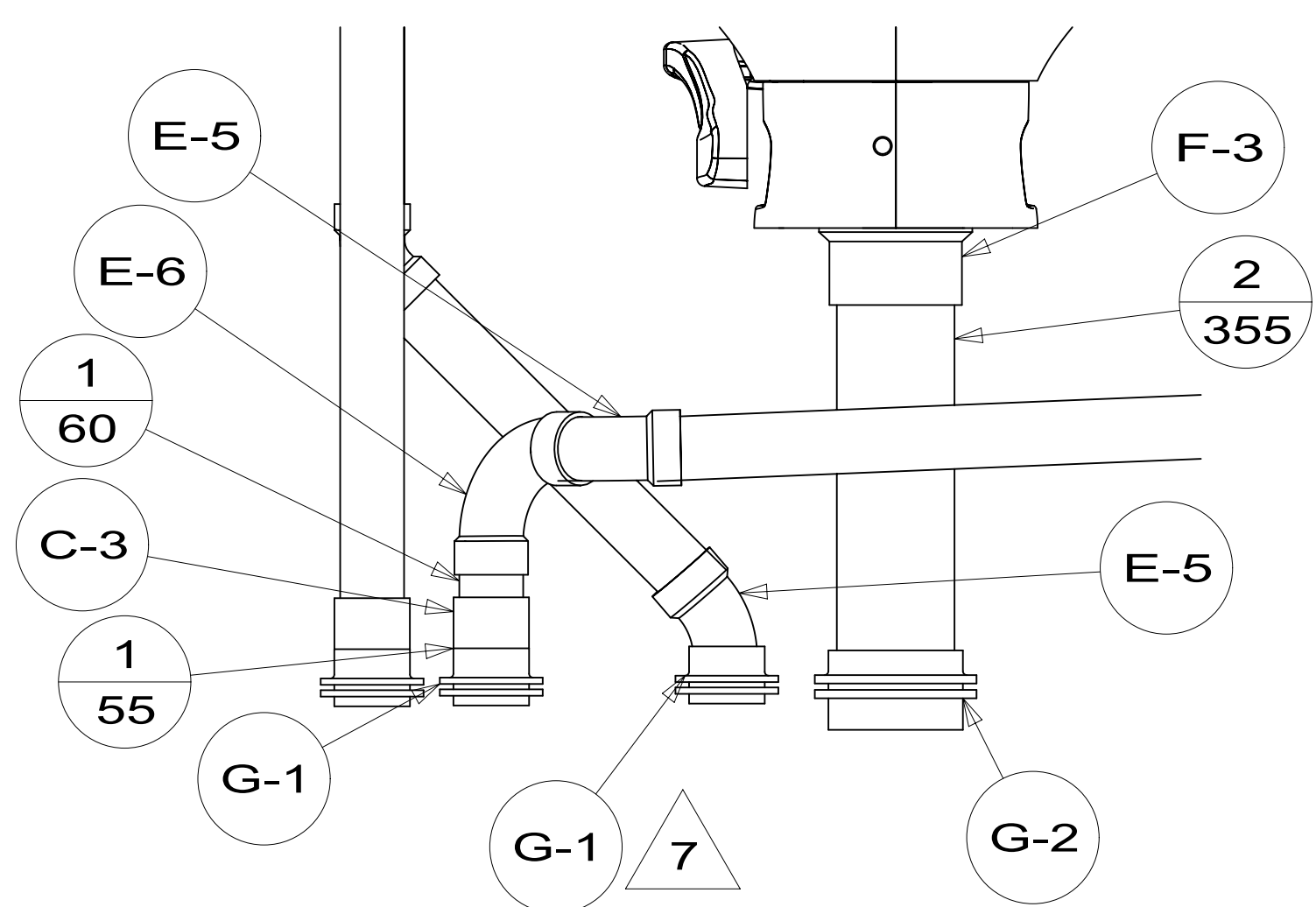
X-X

FOR DRAINAGE CALLOUTS SEE DWG NO. 000211962 / 303370-01-000

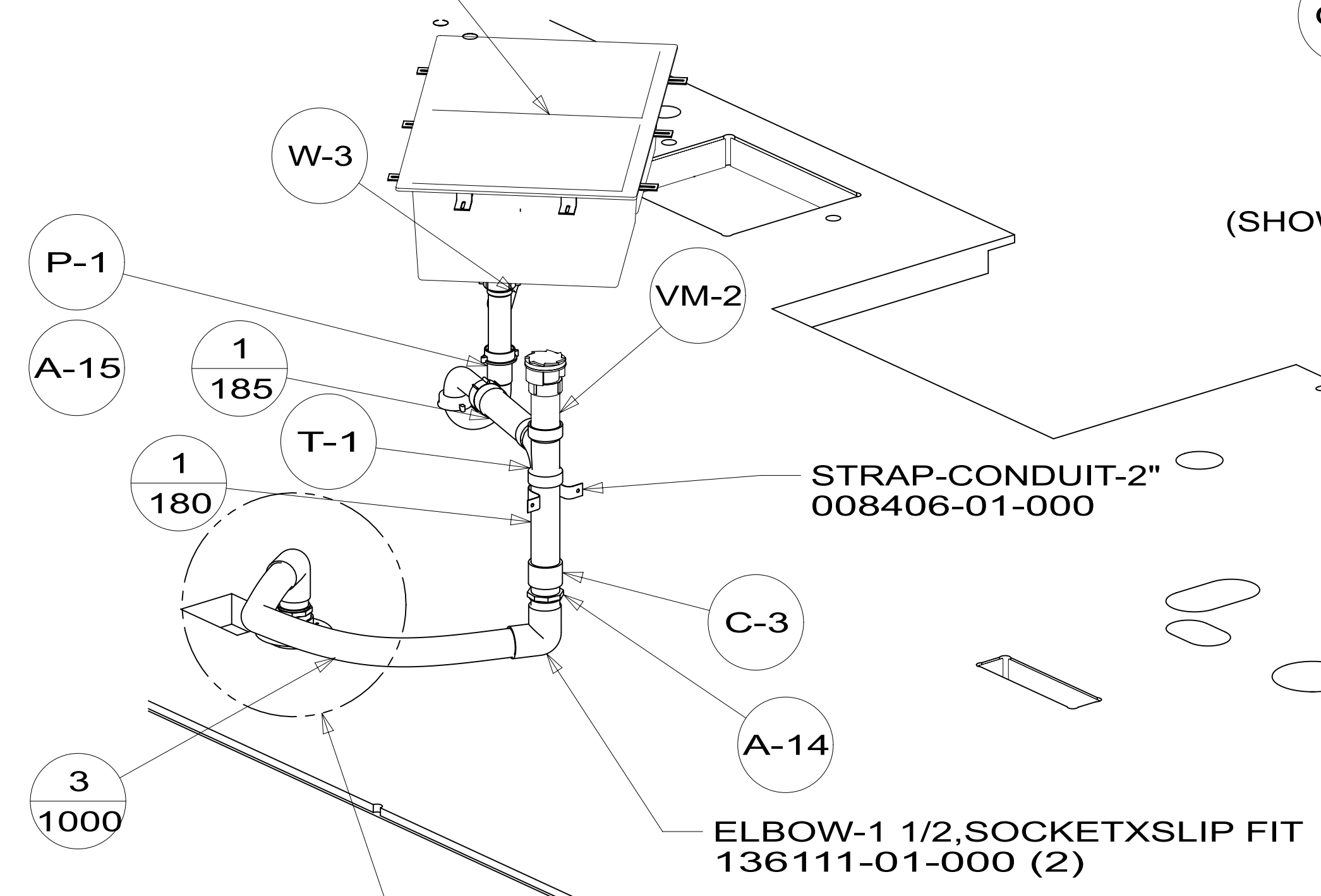
COPYRIGHT 2023 WINNEBAGO INDUSTRIES, INC.

DSNR:		ALL DIMENSIONS ARE IN MILLIMETERS	
DFTR:			
UNSPECIFIED TOLERANCES:	MATERIAL:		
WHOLE DIM (X) :	3		
ONE-PLACE (X.X) :	1.5		
TWO-PLACE (X.XX) :	0.50		
ANGLE :	1°		
REFER TO ES0018 FOR FASTENER TIGHTENING GUIDELINES		WEIGHT: (LBS)	FIRST USED: (REF)
			22 E33K
DESCRIPTION: DRAINAGE SYSTEM INSTL			
SHEET:	ITEM/PART NO.:	REV	
1 OF 4	000224119 / 34332301000		
REF:		1 08-Dec-2023	

SINK-GALLEY, DBL, 16X27X7
 000177390 / 333238-01-CHT
 ANGLE-FORMED
 140002-01-CHT (10)
 STRAINER-SINK
 092303-01-000 (2)

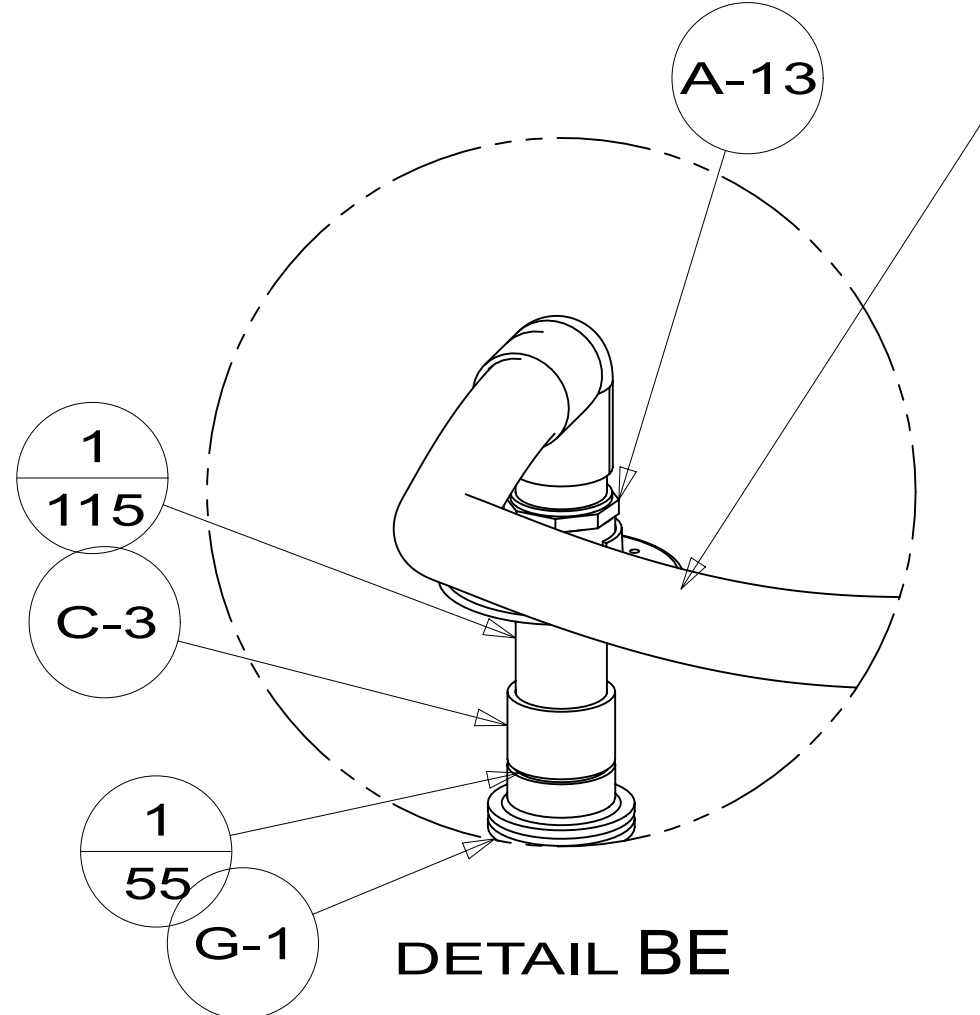


VIEW BC
 (SHOWN W/OUT CABINETS AND FLOOR)

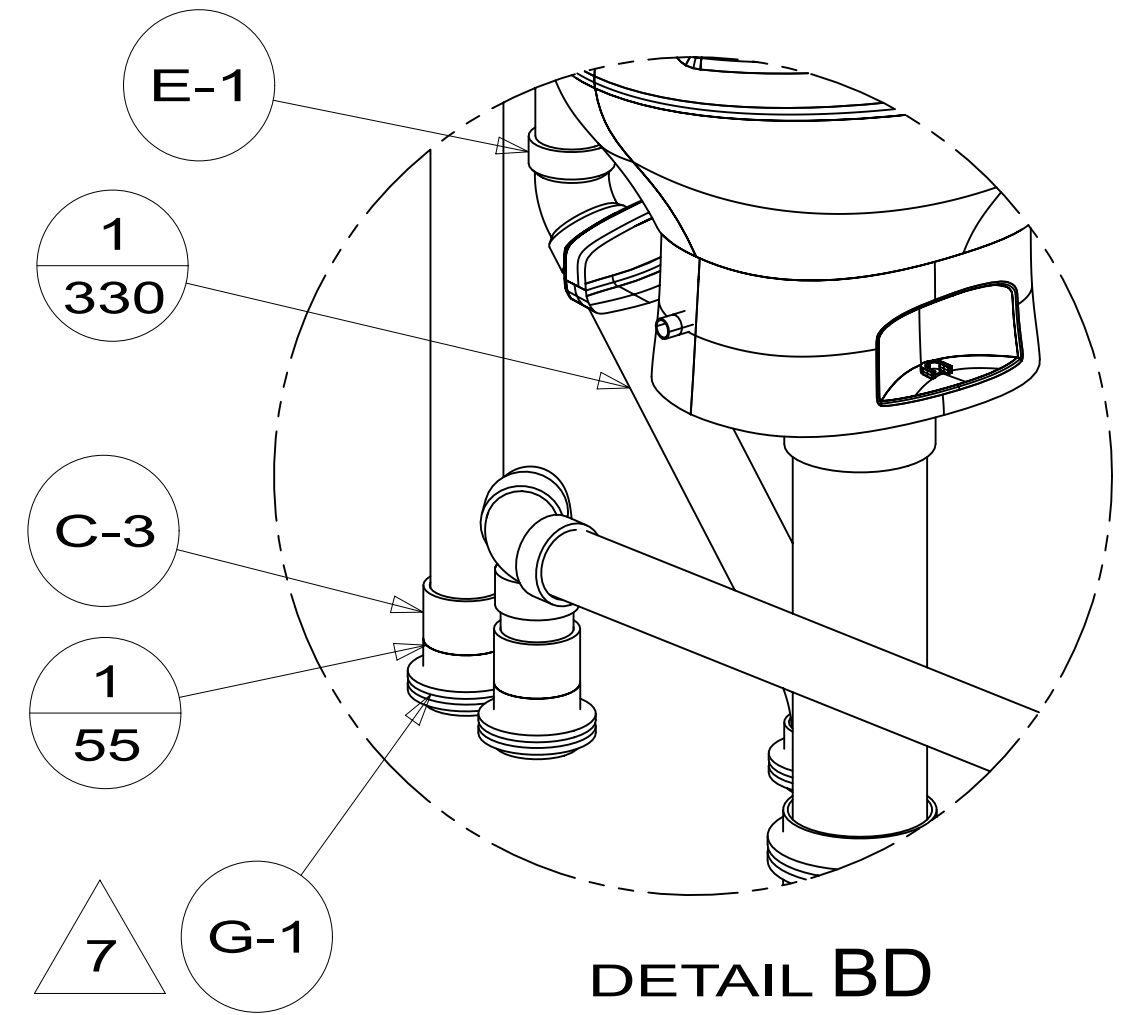


DETAIL BE

FITTING-BULKHEAD, DRAINAGE
 136656-01-CHT



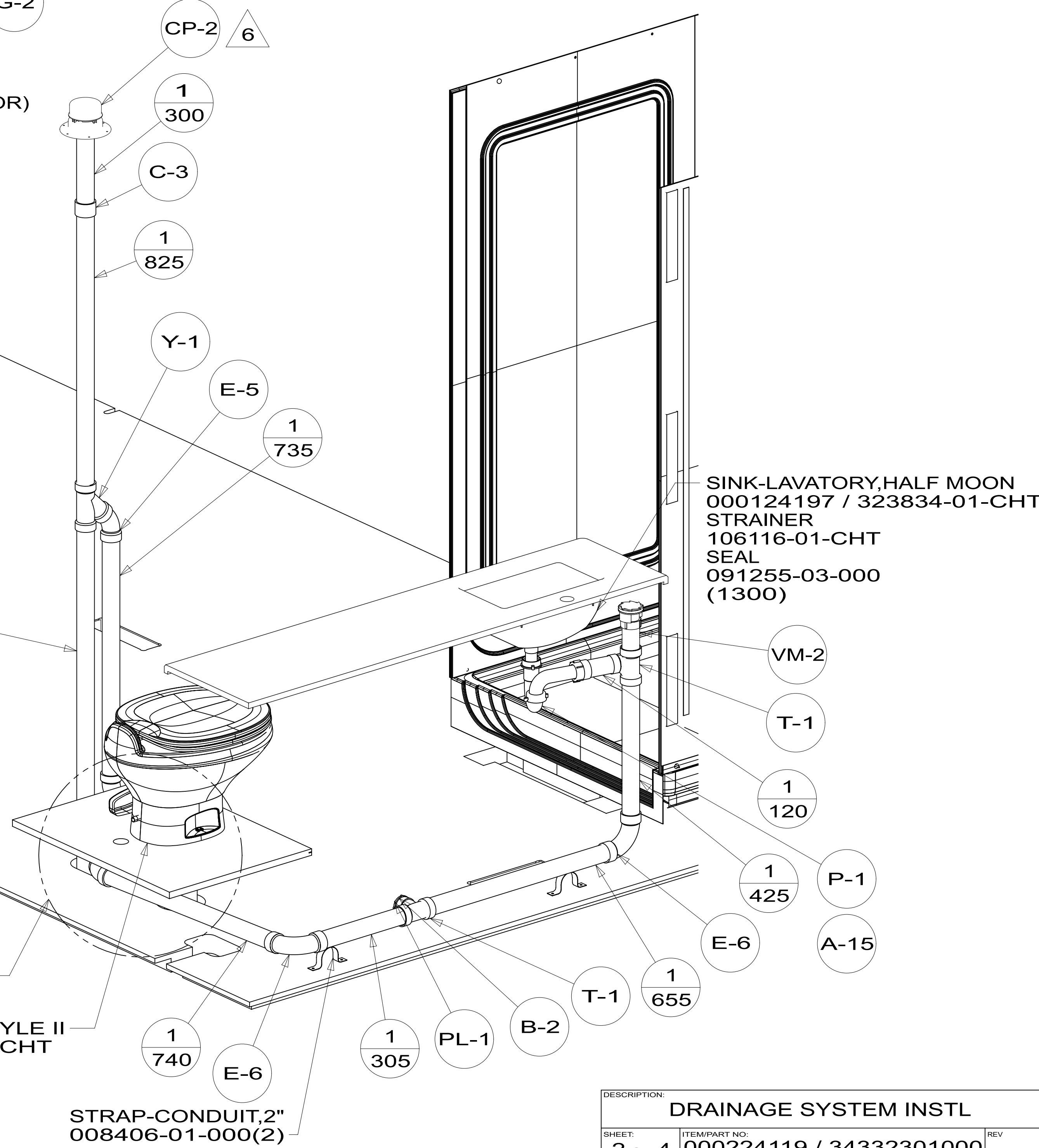
DETAIL BE



DETAIL BD

TOILET-AQUA MAGIC STYLE II
 000290385 / 358133-02-CHT
 SCREW
 087721-01-000 (6)

VIEW BB

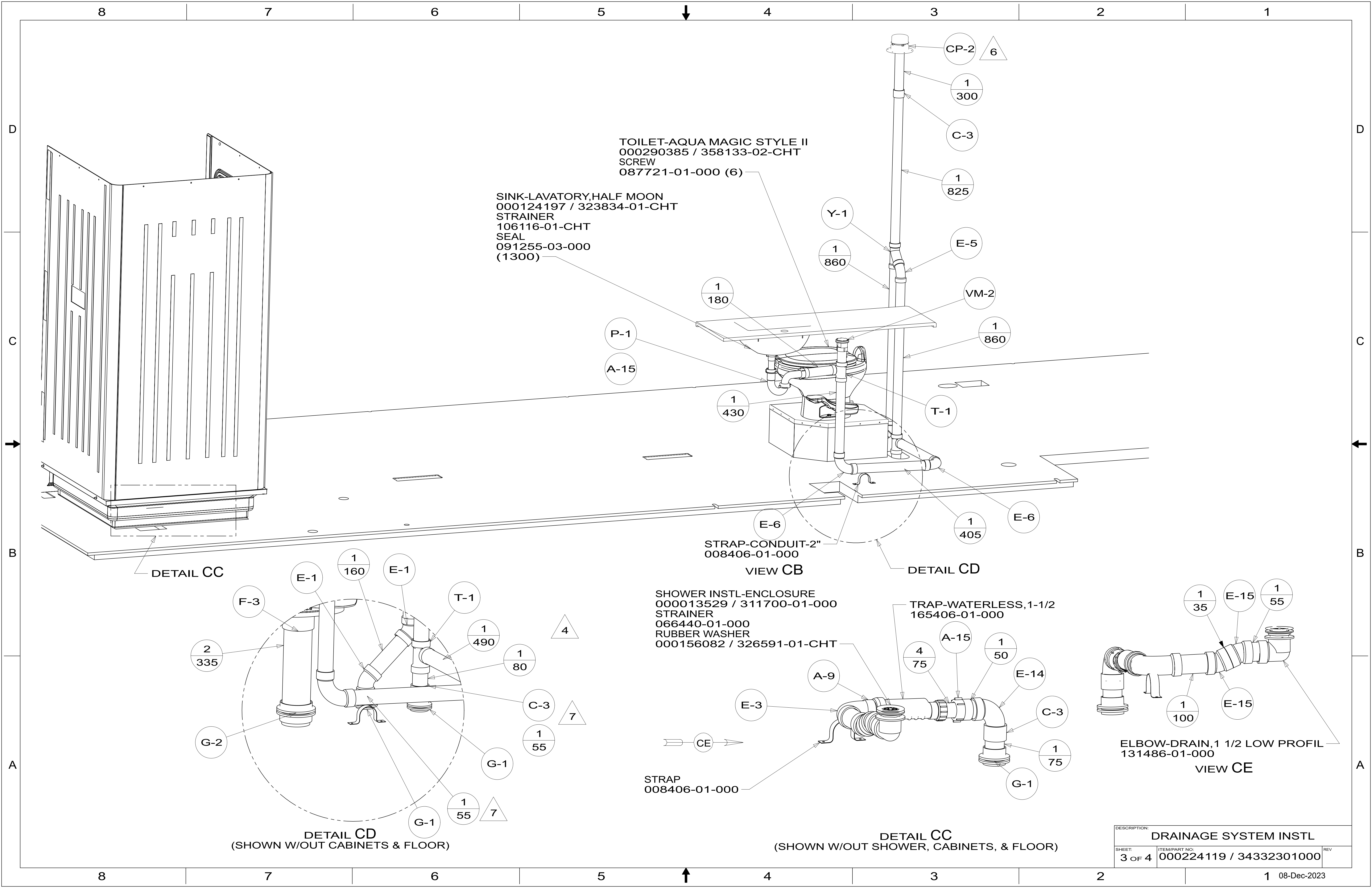


1
1075

DETAIL BD

STRAP-CONDUIT, 2"
 008406-01-000 (2)

DESCRIPTION: DRAINAGE SYSTEM INSTL		
SHEET: 2 OF 4	ITEM/PART NO: 000224119 / 34332301000	REV



SINK-LAVATORY, HALF MOON
000124197 / 323834-01-CHT
STRAINER
106116-01-CHT
SEAL
091255-03-000 (1300)

TOILET-AQUA MAGIC STYLE II
000290385 / 358133-02-CHT
SCREW
087721-01-000 (6)

SHOWER INSTL-ENCLOSURE
000013529 / 311700-01-000
STRAINER
066440-01-000
RUBBER WASHER
000156082 / 326591-01-CHT

TRAP-WATERLESS, 1-1/2
165406-01-000

ELBOW-DRAIN, 1 1/2 LOW PROFIL
131486-01-000

DETAIL CC

DETAIL CD
(SHOWN W/OUT CABINETS & FLOOR)

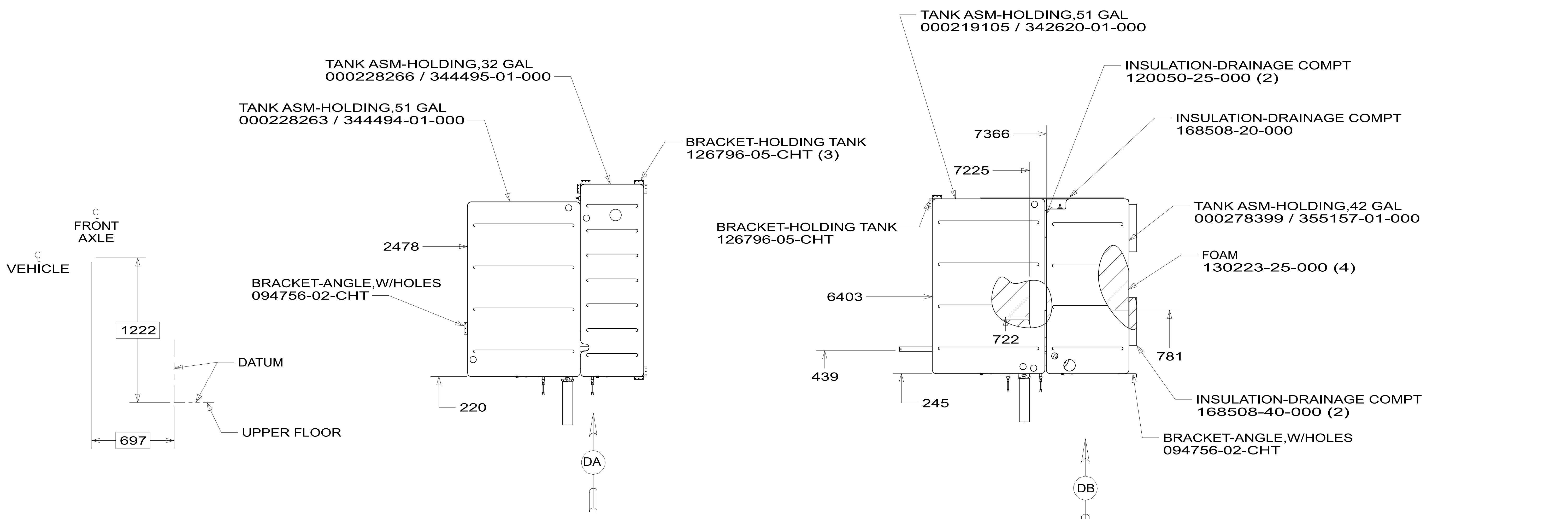
VIEW CB

DETAIL CC
(SHOWN W/OUT SHOWER, CABINETS, & FLOOR)

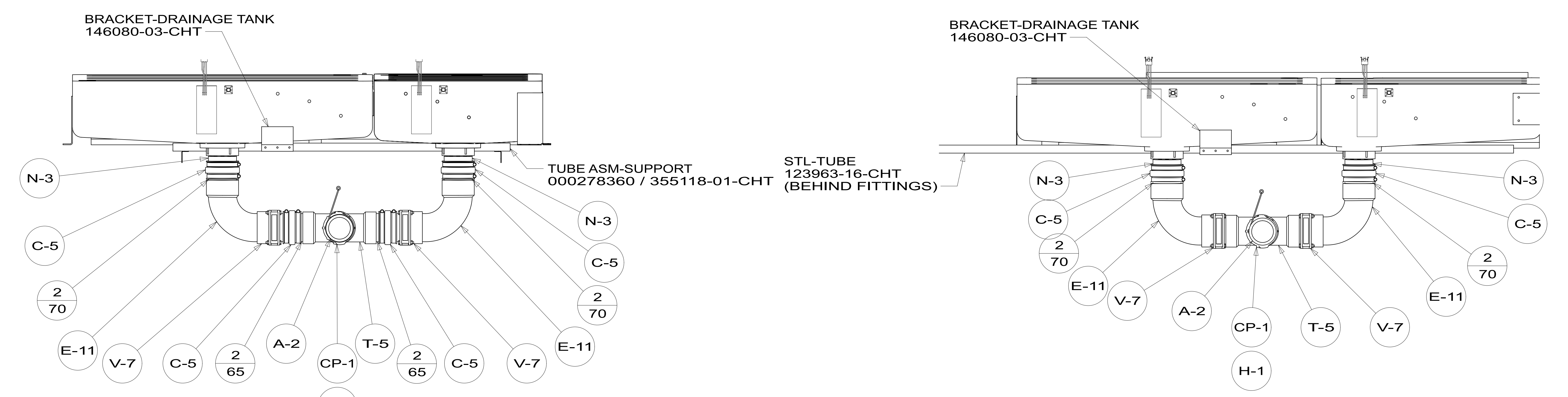
DETAIL CD

VIEW CE

DESCRIPTION: DRAINAGE SYSTEM INSTL		
SHEET: 3 OF 4	ITEM/PART NO: 000224119 / 34332301000	REV



TOP VIEW SHOWING TANKS AND DRAINS



VIEW DA

VIEW DB

DESCRIPTION: DRAINAGE SYSTEM INSTL		
SHEET: 4 OF 4	ITEM/PART NO: 000224119 / 34332301000	REV