

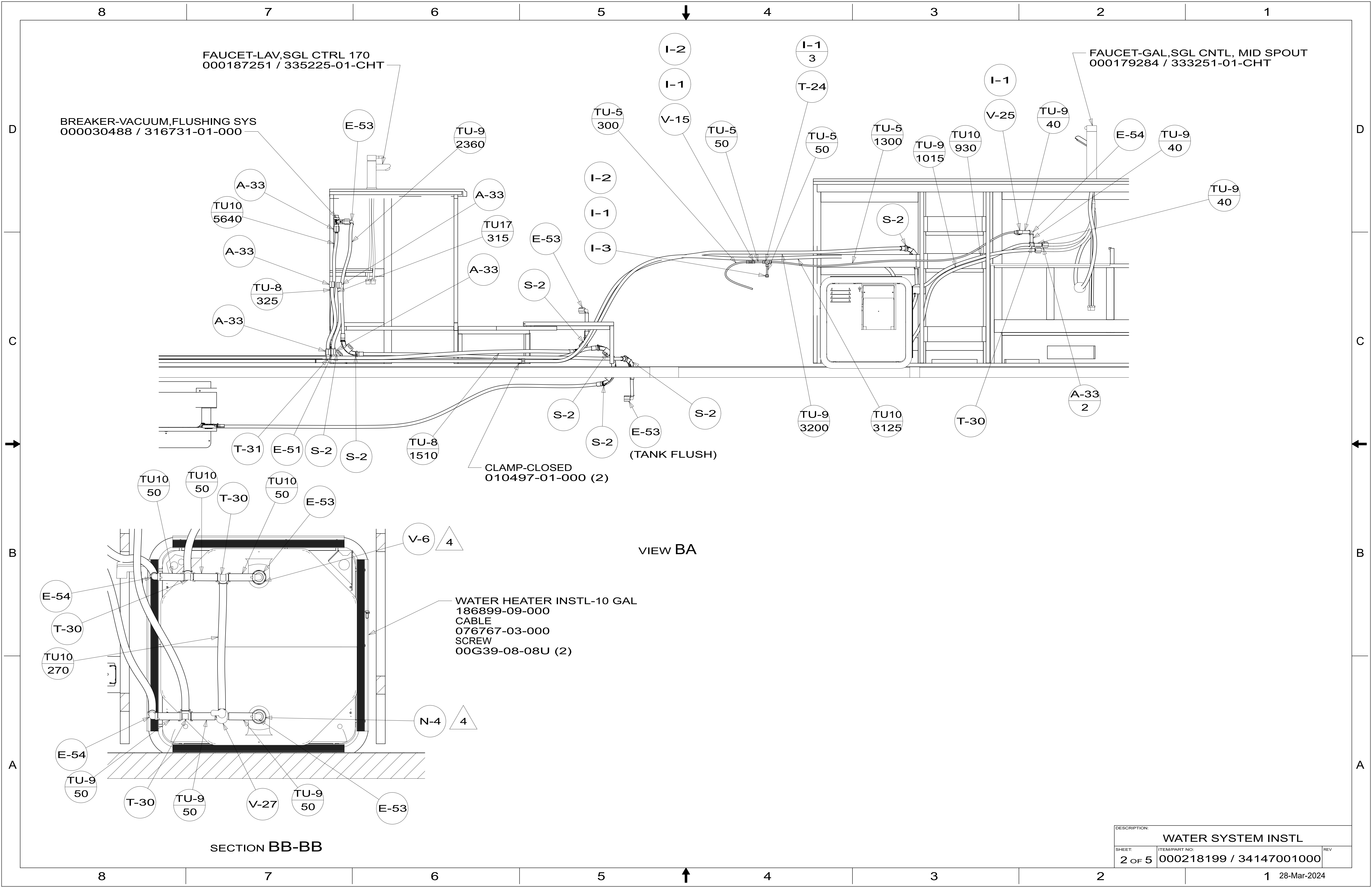
- NOTES:
9. ALL CRIMP FITTINGS TO 3/4" PEX TUBING REQUIRE 3/4" CLAMP 000156247 / 326668-01-000.
  8. ALL CRIMP FITTINGS TO 1/2" PEX TUBING REQUIRE 1/2" CLAMP 000156249 / 326670-01-000.
  7. ALL CRIMP FITTINGS TO 5/8" FLEX TUBING REQUIRE 5/8" CLAMP 000156248 / 326669-01-000.
  6. LABEL HOT AND COLD SUPPLY TUBES AND TAPE FITTING TO TUBE BEFORE CABINET SET TO PREVENT MOVEMENT.
  5. ADD PIPE WRAP (LADDER SCRAP 110157-02-000) INSULATION.
  4. ADD TEFLON TAPE 010405-02-000.
  3. ALL TUBING TO BE SECURED AT 1200 INTERVALS MAXIMUM WITH CLAMP 010495-01-000 AND SCREW 000G67-10-12U OR EQUIVALENT.
  2. TUBING TO BE INSTALLED WITH SUFFICIENT SLOPE TO PROVIDE DRAINAGE TO NEAREST VALVE.
  1. PLASTIC FITTINGS TO BE SEALED WITH SEALANT 084456-01-000.

X-X

FOR  
WATER  
CALLOUTS  
SEE DWG NO.  
000209446 /  
303369-01-000

- 21M WASHER/DRYER PREP
- 54E WASHER/DRYER COMBO

<b>WINNEBAGO</b> <sup>®</sup>		COPYRIGHT 2024 WINNEBAGO INDUSTRIES, INC.	
DSNR:		ALL DIMENSIONS ARE IN MILLIMETERS	
DFT:			
UNSPECIFIED TOLERANCES:		MATERIAL:	
WHOLE DIM (X)	± 3		
ONE-PLACE (X.X)	± 1.5		
TWO-PLACE (X.XX)	± 0.50		
ANGLE	± 1°		
REFER TO ES0018 FOR FASTENER TIGHTENING GUIDELINES	WEIGHT: (LBS)	FIRST USED: (REF)	
		22 F35F	
DESCRIPTION: WATER SYSTEM INSTL			
SHEET:	ITEM/PART NO:	REV	
1 OF 5	000218199 / 34147001000		
		REF: 1 28-Mar-2024	



FAUCET-LAV, SGL CTRL 170  
000187251 / 335225-01-CHT

FAUCET-GAL, SGL CNTL, MID SPOUT  
000179284 / 333251-01-CHT

BREAKER-VACUUM, FLUSHING SYS  
000030488 / 316731-01-000

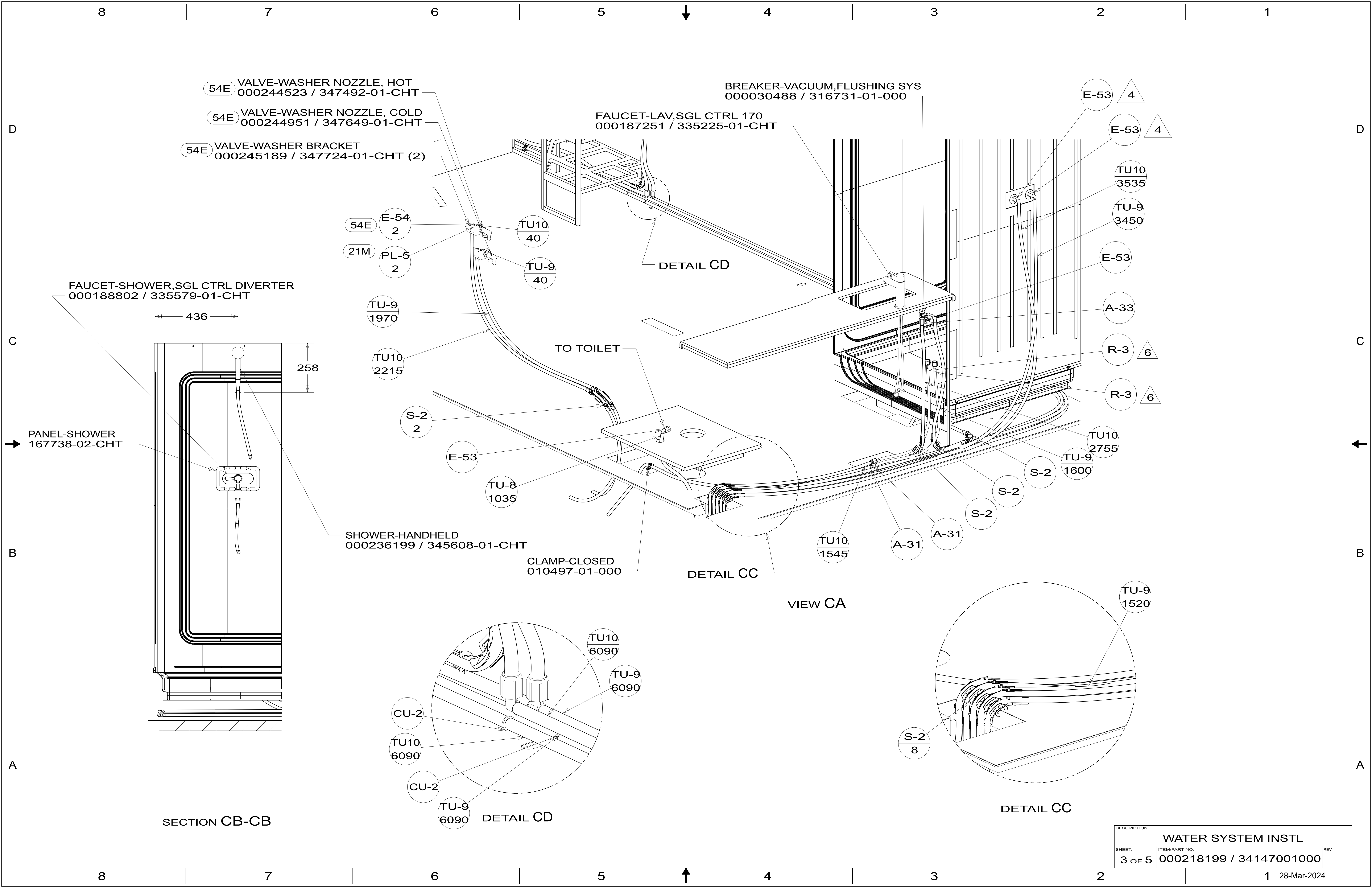
CLAMP-CLOSED  
010497-01-000 (2)

WATER HEATER INSTL-10 GAL  
186899-09-000  
CABLE  
076767-03-000  
SCREW  
00G39-08-08U (2)

VIEW BA

SECTION BB-BB

DESCRIPTION:		
WATER SYSTEM INSTL		
SHEET:	ITEM/PART NO.:	REV
2 OF 5	000218199 / 34147001000	



- 54E VALVE-WASHER NOZZLE, HOT  
000244523 / 347492-01-CHT
- 54E VALVE-WASHER NOZZLE, COLD  
000244951 / 347649-01-CHT
- 54E VALVE-WASHER BRACKET  
000245189 / 347724-01-CHT (2)

BREAKER-VACUUM,FLUSHING SYS  
00030488 / 316731-01-000

FAUCET-LAV,SGL CTRL 170  
000187251 / 335225-01-CHT

FAUCET-SHOWER,SGL CTRL DIVERTER  
000188802 / 335579-01-CHT

PANEL-SHOWER  
167738-02-CHT

54E E-54  
2

21M PL-5  
2

TU-9  
1970

TU10  
2215

S-2  
2

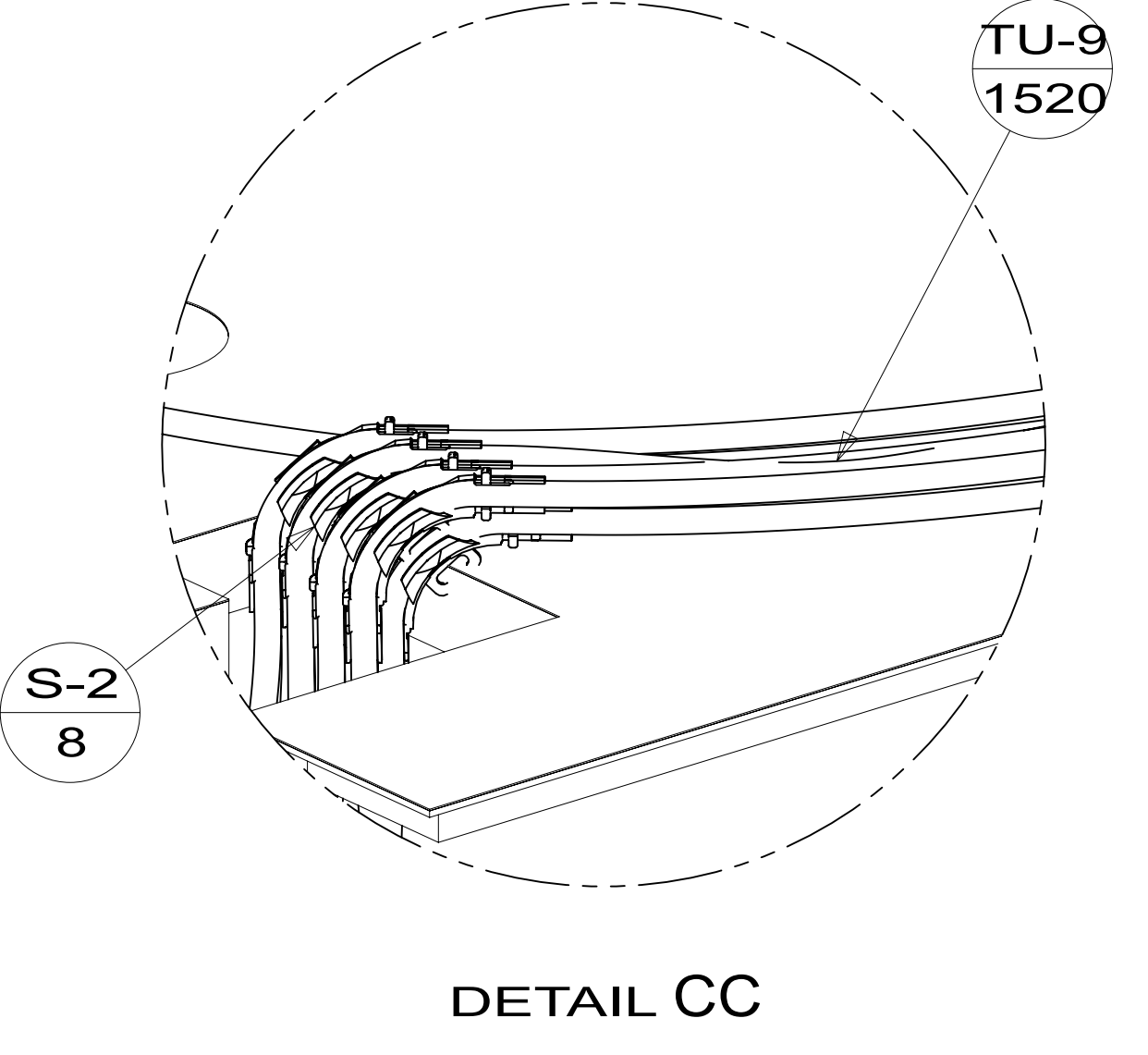
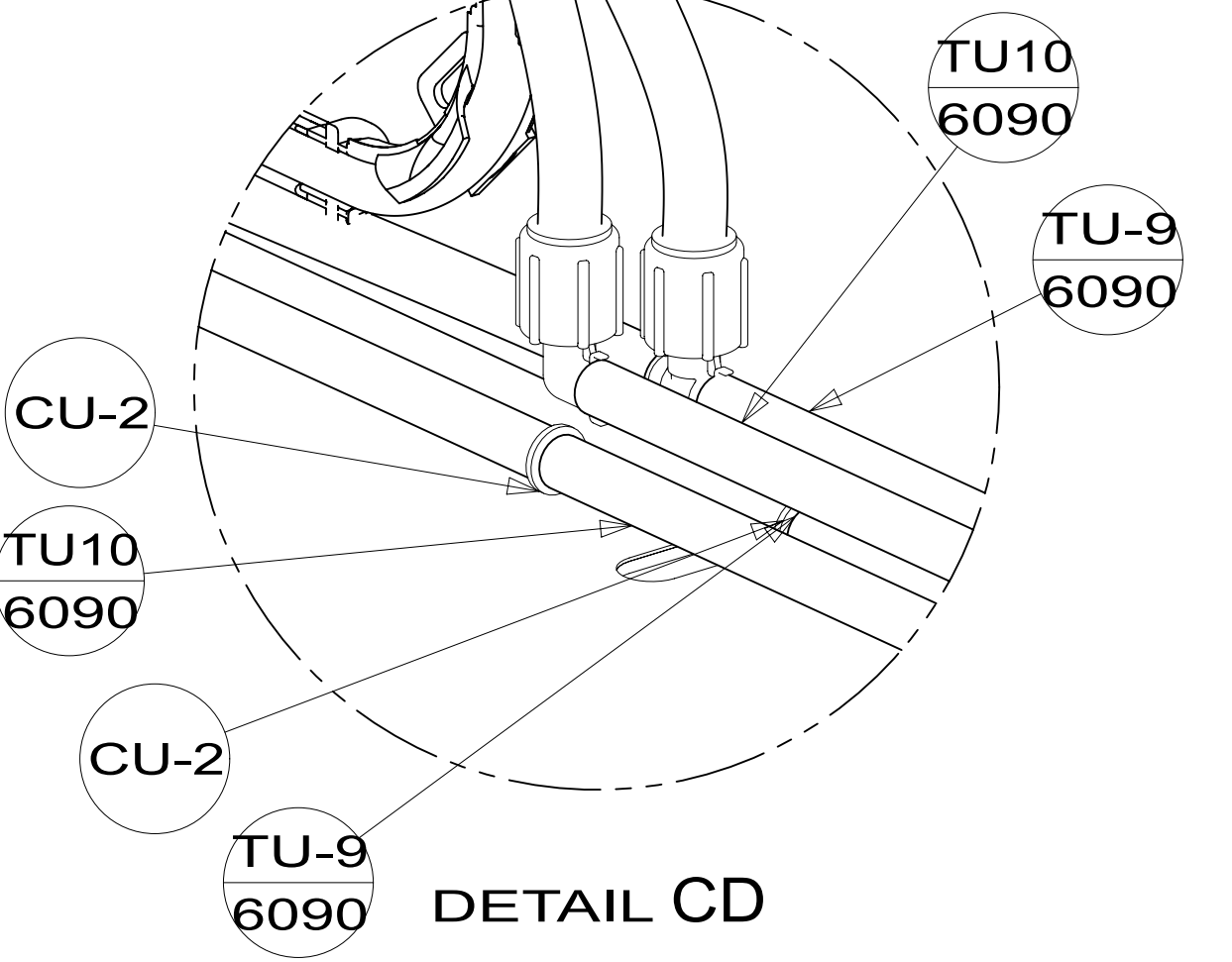
E-53

TU-8  
1035

SHOWER-HANDHELD  
000236199 / 345608-01-CHT

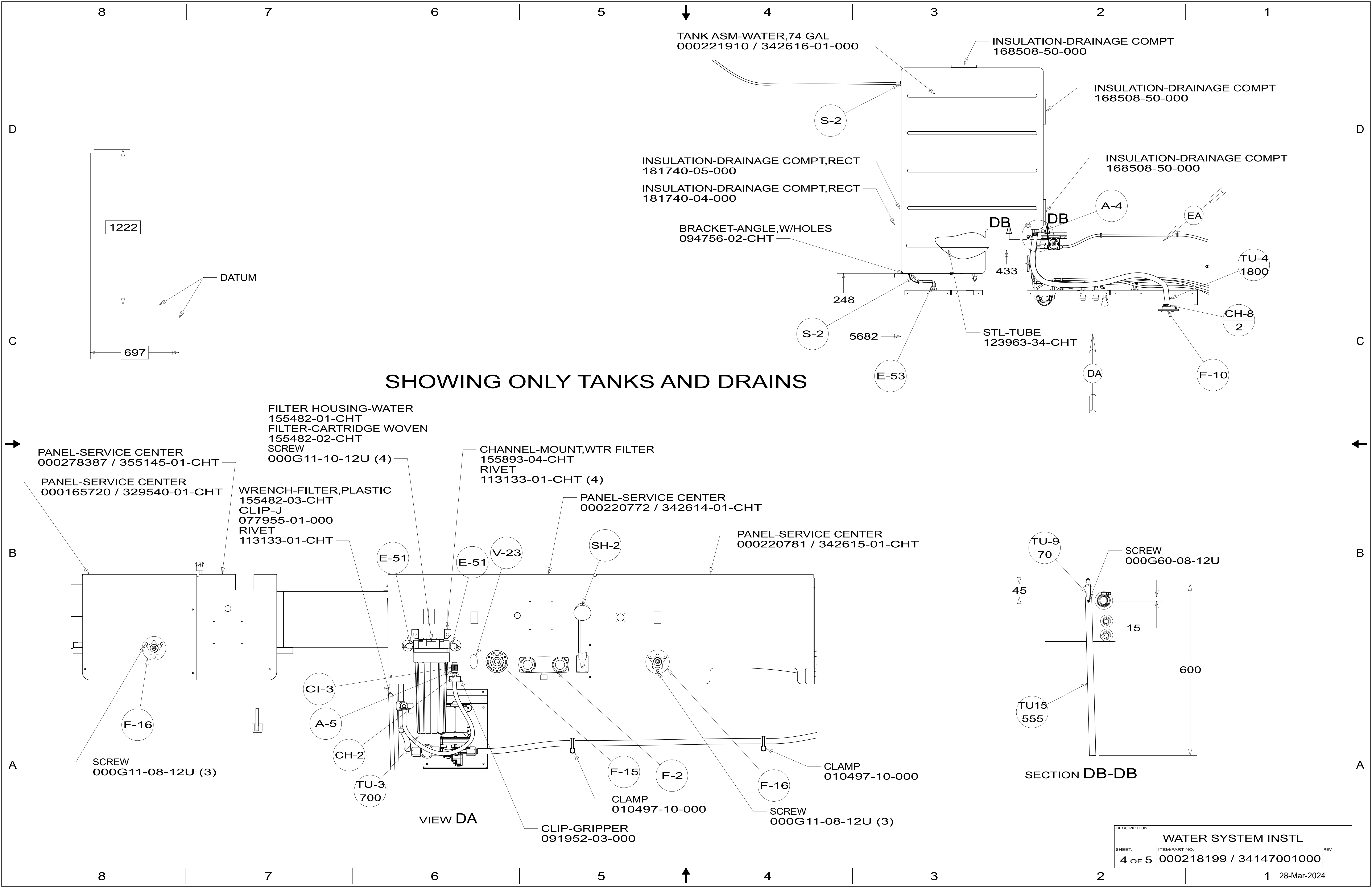
CLAMP-CLOSED  
010497-01-000

VIEW CA



SECTION CB-CB

DESCRIPTION:		
WATER SYSTEM INSTL		
SHEET:	ITEM/PART NO:	REV
3 OF 5	000218199 / 34147001000	



TANK ASM-WATER,74 GAL  
000221910 / 342616-01-000

INSULATION-DRAINAGE COMPT  
168508-50-000

INSULATION-DRAINAGE COMPT  
168508-50-000

INSULATION-DRAINAGE COMPT  
168508-50-000

INSULATION-DRAINAGE COMPT,RECT  
181740-05-000

INSULATION-DRAINAGE COMPT,RECT  
181740-04-000

BRACKET-ANGLE,W/HOLES  
094756-02-CHT

DB

DB

TU-4  
1800

CH-8  
2

DA

F-10

STL-TUBE  
123963-34-CHT

248

433

S-2

5682

E-53

1222

697

DATUM

SHOWING ONLY TANKS AND DRAINS

FILTER HOUSING-WATER  
155482-01-CHT  
FILTER-CARTRIDGE WOVEN  
155482-02-CHT  
SCREW  
000G11-10-12U (4)

CHANNEL-MOUNT,WTR FILTER  
155893-04-CHT  
RIVET  
113133-01-CHT (4)

PANEL-SERVICE CENTER  
000220772 / 342614-01-CHT

PANEL-SERVICE CENTER  
000220781 / 342615-01-CHT

PANEL-SERVICE CENTER  
000278387 / 355145-01-CHT

PANEL-SERVICE CENTER  
000165720 / 329540-01-CHT

WRENCH-FILTER,PLASTIC  
155482-03-CHT  
CLIP-J  
077955-01-000  
RIVET  
113133-01-CHT

TU-9  
70

SCREW  
000G60-08-12U

45

15

600

TU15  
555

SECTION DB-DB

F-16

SCREW  
000G11-08-12U (3)

CI-3

A-5

CH-2

TU-3  
700

E-51

E-51

V-23

SH-2

F-15

F-2

F-16

CLAMP  
010497-10-000

CLAMP  
010497-10-000

SCREW  
000G11-08-12U (3)

VIEW DA

CLIP-GRIPPER  
091952-03-000

DESCRIPTION:		
WATER SYSTEM INSTL		
SHEET:	ITEM/PART NO.:	REV
4 OF 5	000218199 / 34147001000	

