

- 10. USE TEFLON TAPE 010405-01-000 FOR PUMP TO ADAPTER CONNECTION.
- 9. SEE DRAWING 061607 FOR INSTALLATION OF GROMMETS.
- 8. SECURE DRAINAGE PIPES TO CABINET USING WIRE TIE 108046-02-000, AND SCREW 000G67-10-12U AT INTERVALS OF NOT OF NOT MORE THAN 4 FEET APART.
- 7. SECURE VENT PIPE TO TANK WITH CLAMP 000156237 / 326663-02-000.
- 6. VENT PIPE MUST PROJECT 51 MIN AND 64 MAX ABOVE ROOF FOR PROPER FIT AND FUNCTION. ADD S-1 (000156099 / 326607-01-CHT SEAL-VENT PIPE) AROUND PIPE ON ROOF BEFORE VENT CAP IS INSTALLED.
- 5. SEAL AROUND SHOWER WITH SILICONE.
- 4. USE SMOOTH PLUMBERS PUTTY 167459-01-000 TO SEAL STRAINER (0.2 PER STRAINER).
- 3. ALL PIPE AND FITTINGS TO BE ASSEMBLED WITH SOLVENT 004020-01-000 (USA), 004020-02-000 (CAN)
- 2. SLOPE OF TRAP ARM MUST BE 6 PER 305 mm.
- 1. SLOPE OF HORIZONTAL PIPING TO BE MINIMUM OF 3 PER 305 mm.

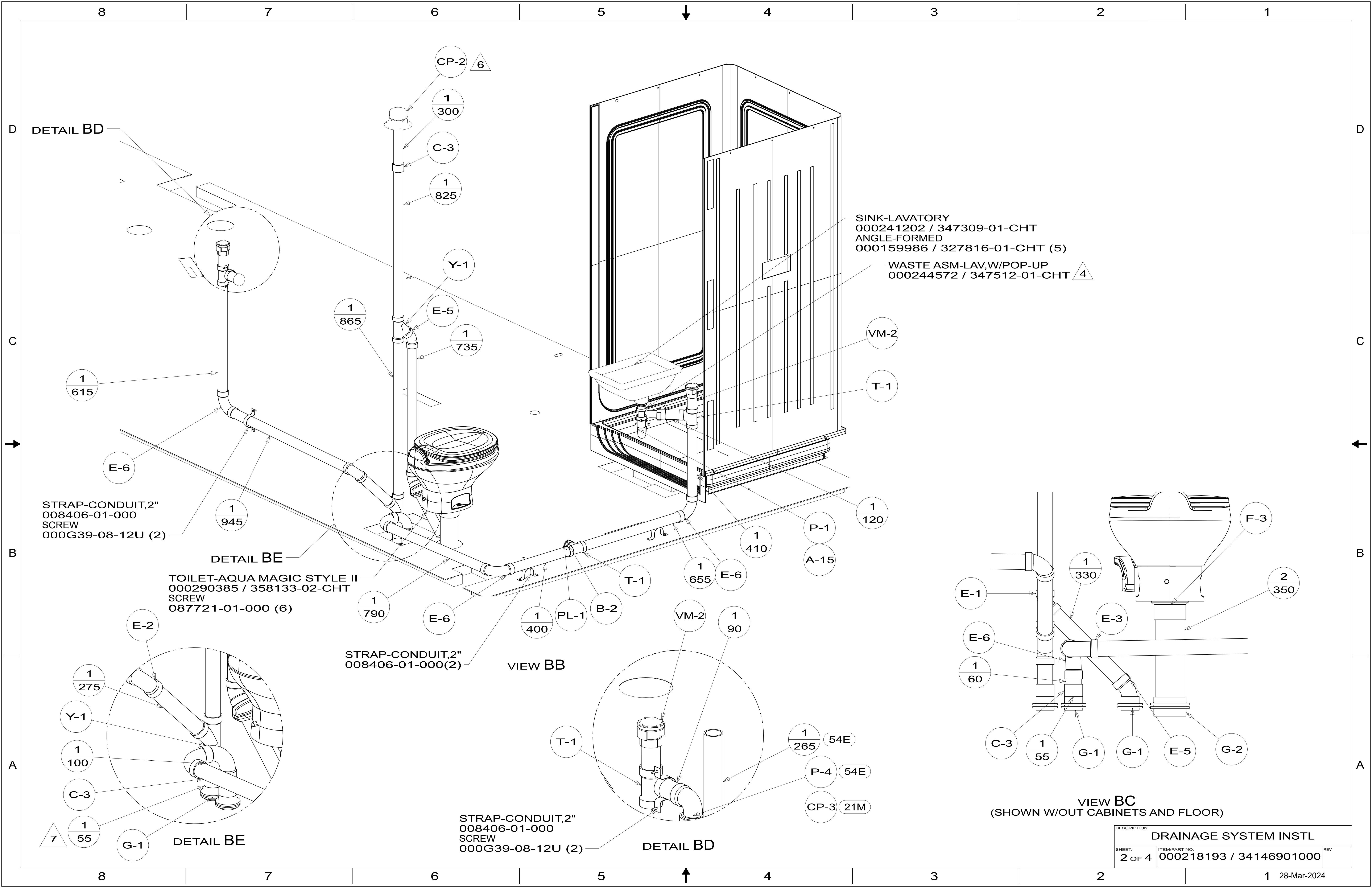
NOTES:

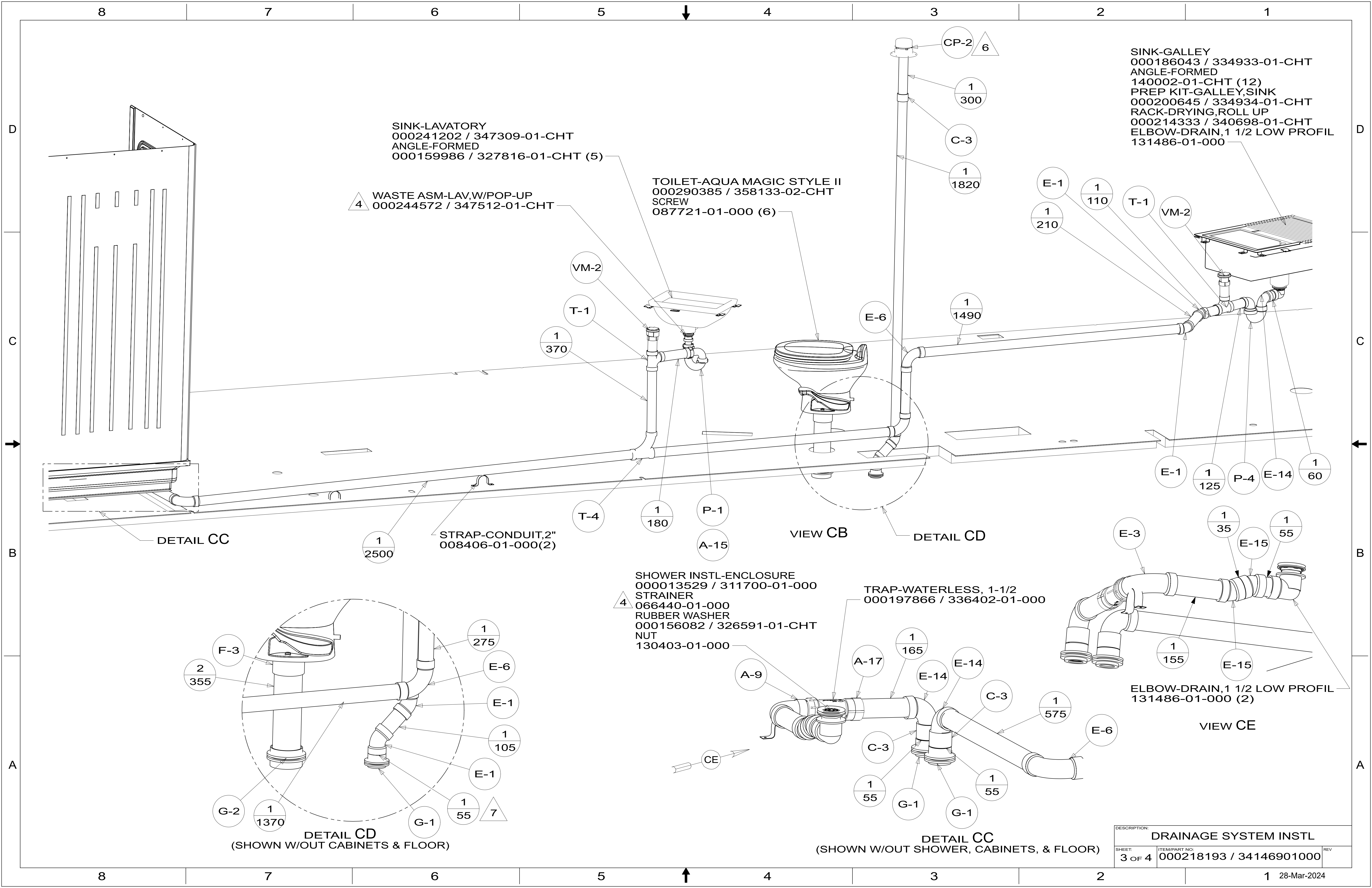
- 21M WASHER/DRYER PREP
- 54E WASHER/DRYER COMBO

X-X
FOR
DRAINAGE
CALLOUTS
SEE DWG NO.
000211962 /
303370-01-000

WINNEBAGO
COPYRIGHT 2024 WINNEBAGO INDUSTRIES, INC.

DSNR:		ALL DIMENSIONS ARE IN MILLIMETERS	
DFTR:		⊕	
UNSPECIFIED TOLERANCES:	MATERIAL:		
WHOLE DIM (X) :	3		
ONE-PLACE (X.X) :	1.5		
TWO-PLACE (X.XX) :	0.50		
ANGLE :	1°		
REFER TO ES0018 FOR FASTENER TIGHTENING GUIDELINES	WEIGHT: (LBS)	FIRST USED: (REF)	
		22 F35F	
DESCRIPTION:			
DRAINAGE SYSTEM INSTL			
SHEET:	ITEM/PART NO.:	REV	
1 OF 4	000218193 / 34146901000		
REF:		1 28-Mar-2024	





SINK-LAVATORY
 000241202 / 347309-01-CHT
 ANGLE-FORMED
 000159986 / 327816-01-CHT (5)

WASTE ASM-LAV,W/POP-UP
 000244572 / 347512-01-CHT

TOILET-AQUA MAGIC STYLE II
 000290385 / 358133-02-CHT
 SCREW
 087721-01-000 (6)

SINK-GALLEY
 000186043 / 334933-01-CHT
 ANGLE-FORMED
 140002-01-CHT (12)
 PREP KIT-GALLEY,SINK
 000200645 / 334934-01-CHT
 RACK-DRYING,ROLL UP
 000214333 / 340698-01-CHT
 ELBOW-DRAIN,1 1/2 LOW PROFIL
 131486-01-000

SHOWER INSTL-ENCLOSURE
 000013529 / 311700-01-000
 STRAINER
 066440-01-000
 RUBBER WASHER
 000156082 / 326591-01-CHT
 NUT
 130403-01-000

TRAP-WATERLESS, 1-1/2
 000197866 / 336402-01-000

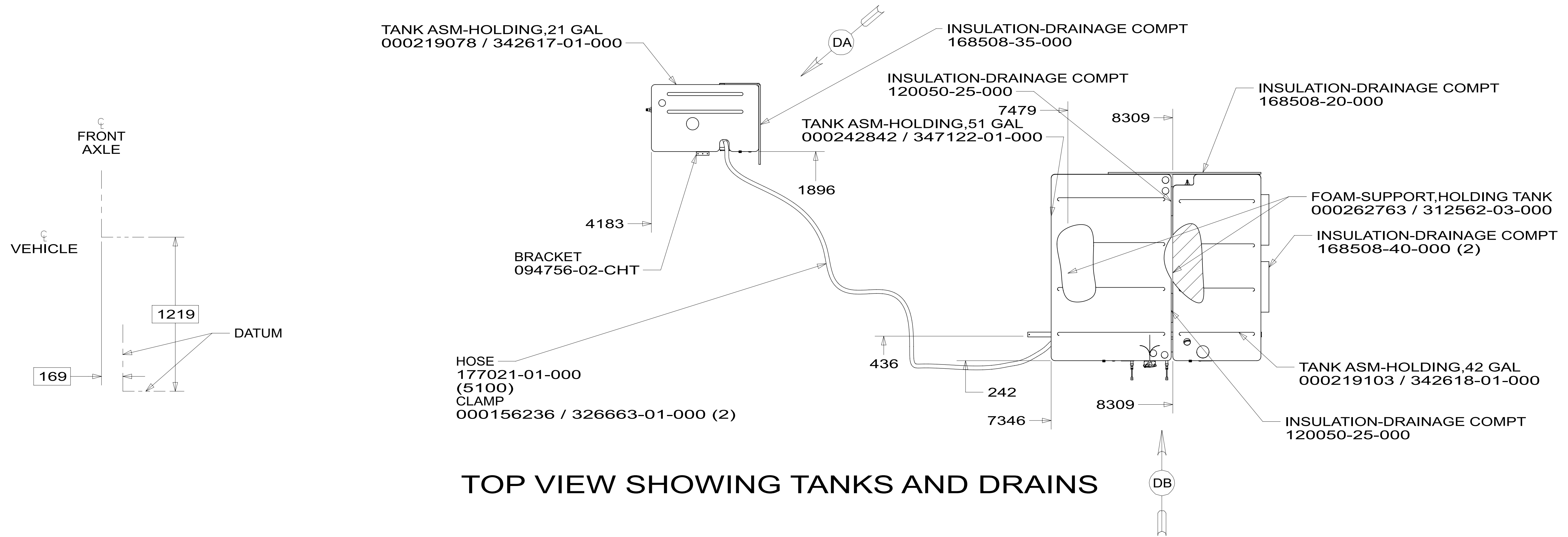
ELBOW-DRAIN,1 1/2 LOW PROFIL
 131486-01-000 (2)

DETAIL CD
 (SHOWN W/OUT CABINETS & FLOOR)

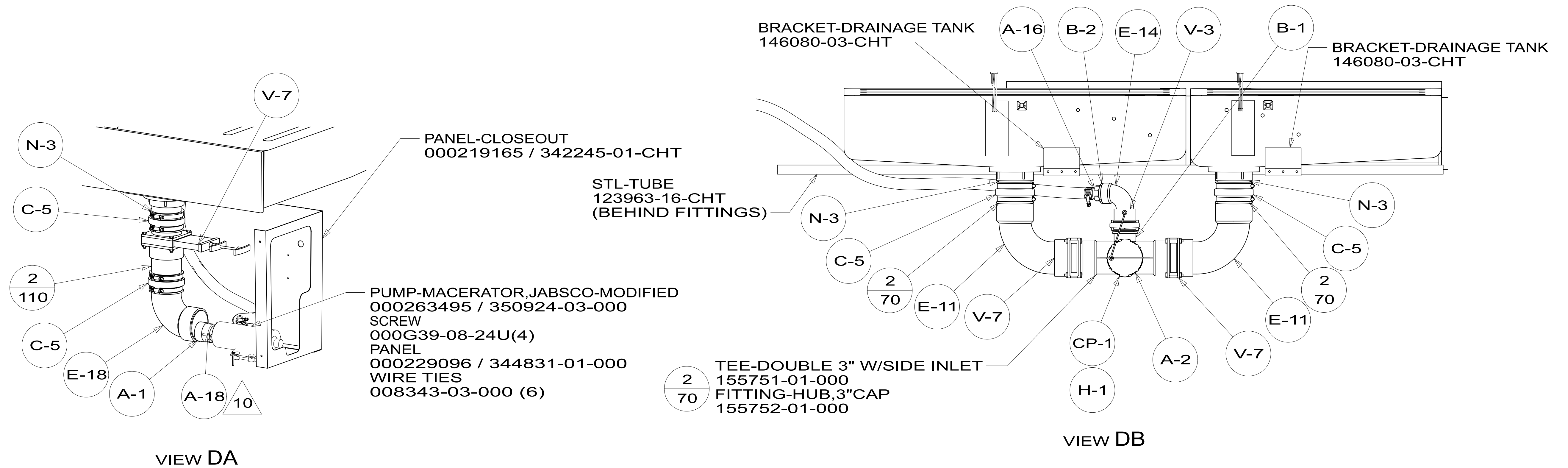
DETAIL CC
 (SHOWN W/OUT SHOWER, CABINETS, & FLOOR)

VIEW CE

DESCRIPTION: DRAINAGE SYSTEM INSTL		
SHEET: 3 OF 4	ITEM/PART NO: 000218193 / 34146901000	REV



TOP VIEW SHOWING TANKS AND DRAINS



VIEW DA

VIEW DB

DESCRIPTION:		
DRAINAGE SYSTEM INSTL		
SHEET:	ITEM/PART NO:	REV
4 OF 4	000218193 / 34146901000	