

15. APPLY 1/4" BEAD OF SEALANT 328744-02-CHT TO FLANGE BEFORE INSTALLATION.

14. WHEN INSTALLING TOILET ATTACH PLYWOOD TO SUB FLOOR THEN USE SCREW 000G11-08-06U (2) TO LOCATE AND FASTEN STEEL BRACKET TO FLOOR. THEN FASTEN DOWN PLASTIC BRACKETS TO FLOOR USING SUPPLIED HARDWARE. PLACE TOILET OVER THE BRACKETS AND FASTEN USING SUPPLIED HARDWARE AND THEN USE WHITE CAPS TO COVER SCREWS.

13. REMOVE SWIVEL NUT ON TRAP-WATERLESS 165406-01-000, AND CONNECT A-10.

9. SEE DRAWING 061607 FOR INSTALLATION OF GROMMETS.

8. SECURE DRAINAGE PIPES TO CABINET USING WIRE TIE 108046-02-000, AND SCREW 000G67-10-12U AT INTERVALS OF NOT OF NOT MORE THAN 4 FEET APART.

7. SECURE VENT PIPE TO GROMMET WITH CLAMP 000156237 / 326663-02-000.

6. VENT PIPE MUST PROJECT 51 MIN AND 64 MAX ABOVE ROOF FOR PROPER FIT AND FUNCTION. ADD S-1 (000156099 / 326607-01-CHT SEAL-VENT PIPE) AROUND PIPE ON ROOF BEFORE VENT CAP IS INSTALLED.

5. SEAL AROUND SHOWER WITH SILICONE.

4. USE SMOOTH PLUMBERS PUTTY 167459-01-000 TO SEAL STRAINER (0.2 PER STRAINER).

3. ALL PIPE AND FITTINGS TO BE ASSEMBLED WITH SOLVENT 004020-01-000 (USA), 004020-02-000 (CAN)

2. SLOPE OF TRAP ARM MUST BE 6 PER 305 mm.

1. SLOPE OF HORIZONTAL PIPING TO BE MINIMUM OF 3 PER 305 mm.

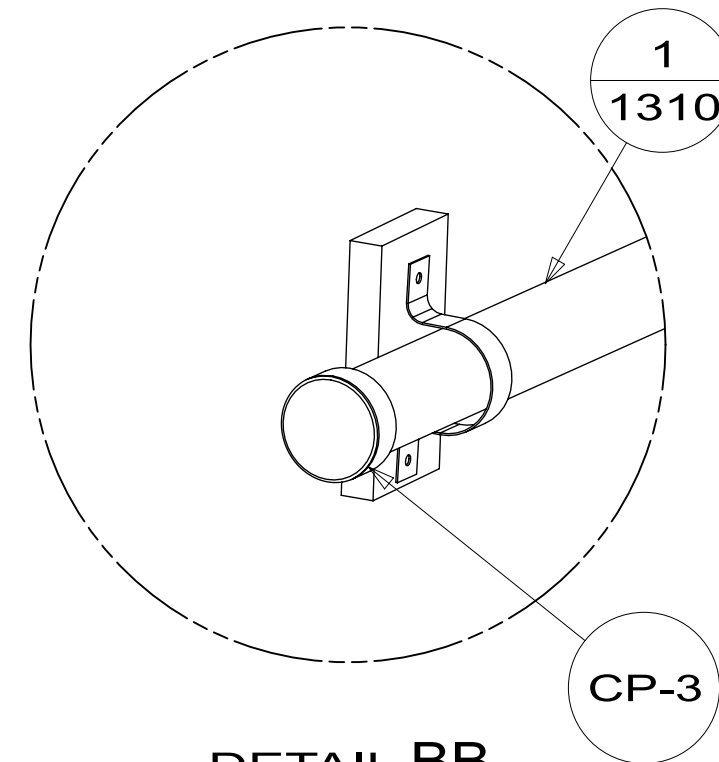
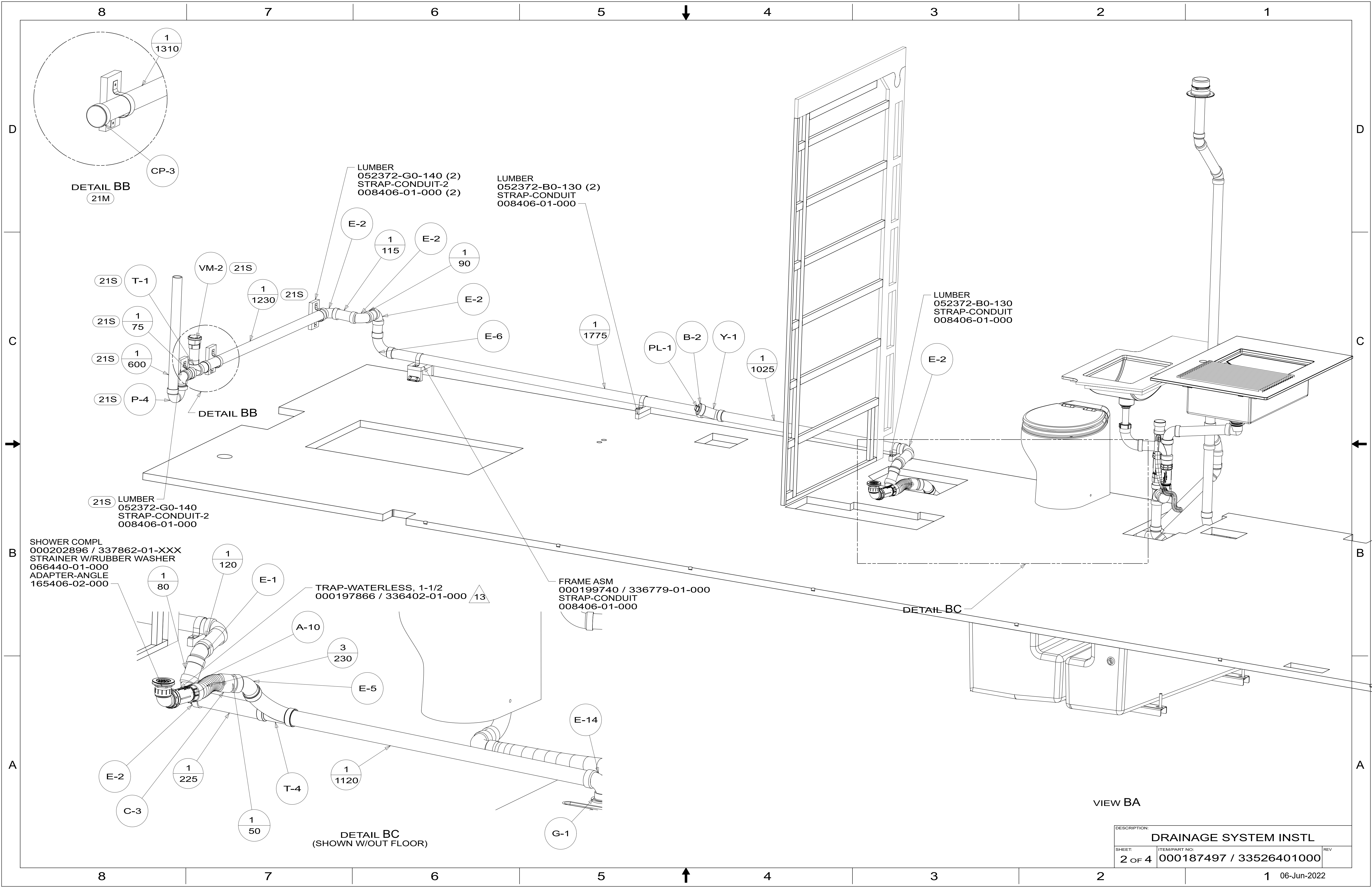
NOTES:

- (21S) WASHER & DRYER-PAIR
- (21M) WASHER/DRYER PREP
- (214) DISHWASHER DRAWER STYLE
- (215) DISHWASHER WITHOUT



DSNR:		ALL DIMENSIONS ARE IN MILLIMETERS			
DFTR:					
UNSPECIFIED TOLERANCES:	MATERIAL:				
WHOLE DIM (X) :	3				
ONE-PLACE (X.X) :	1.5				
TWO-PLACE (X.XX) :	0.50				
ANGLE :	1°				
REFER TO ES0018 FOR FASTENER TIGHTENING GUIDELINES		WEIGHT: (LBS)	FIRST USED: (REF)		
			21 N34N		
DESCRIPTION:					
DRAINAGE SYSTEM INSTL					
SHEET:	ITEM/PART NO.:	REV:			
1 OF 4	000187497 / 33526401000				

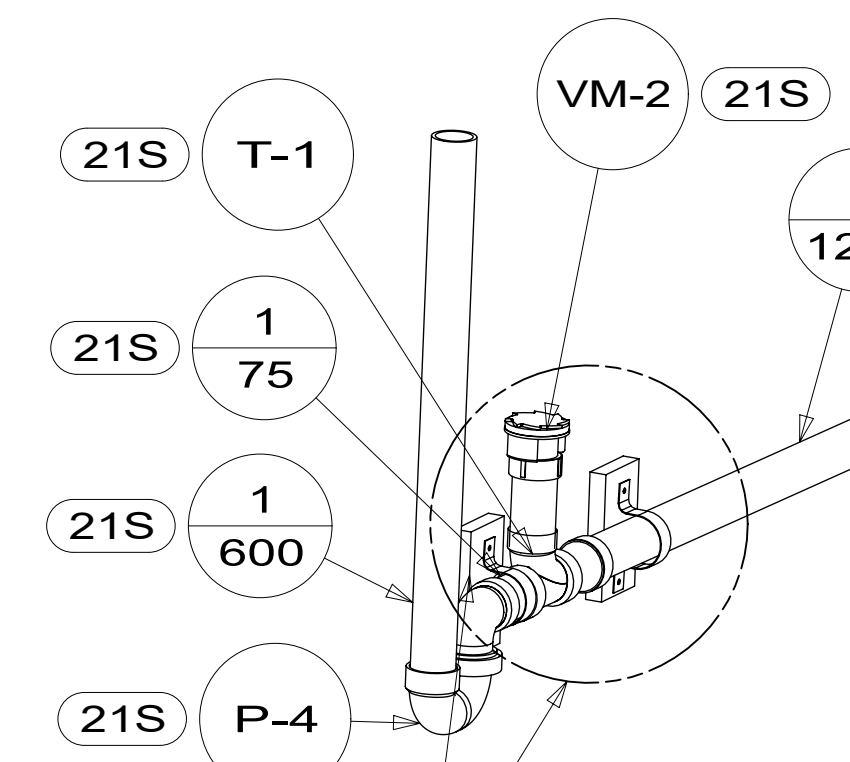
X-X
FOR DRAINAGE CALLOUTS
SEE DWG NO.
000211962 /
303370-01-000



LUMBER
052372-G0-140 (2)
STRAP-CONDUIT-2
008406-01-000 (2)

LUMBER
052372-B0-130 (2)
STRAP-CONDUIT
008406-01-000

LUMBER
052372-B0-130
STRAP-CONDUIT
008406-01-000



DETAIL BB

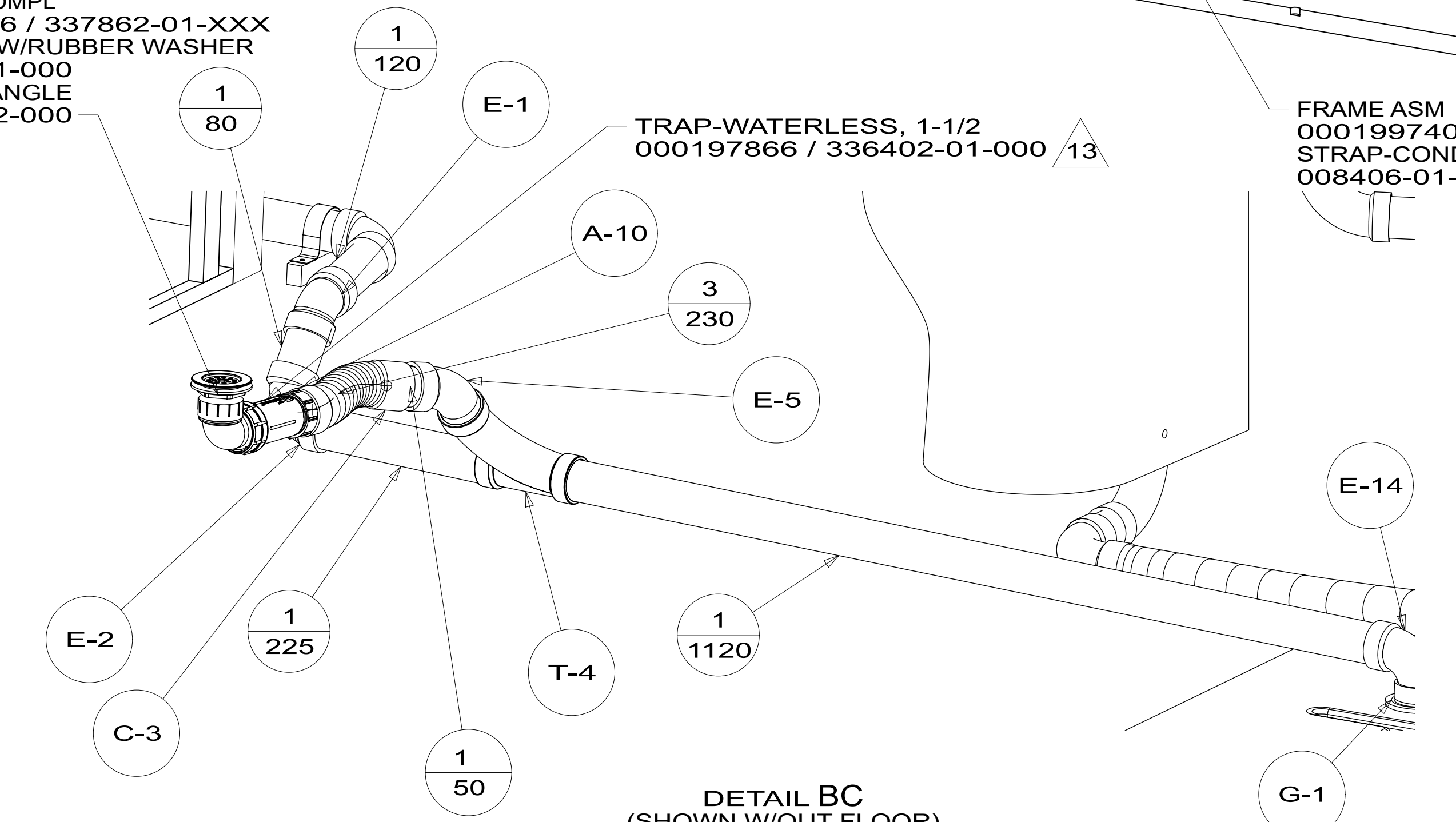
21S LUMBER
052372-G0-140
STRAP-CONDUIT-2
008406-01-000

SHOWER COMPL
000202896 / 337862-01-XXX
STRAINER W/RUBBER WASHER
066440-01-000
ADAPTER-ANGLE
165406-02-000

TRAP-WATERLESS, 1-1/2
000197866 / 336402-01-000 13

FRAME ASM
000199740 / 336779-01-000
STRAP-CONDUIT
008406-01-000

DETAIL BC

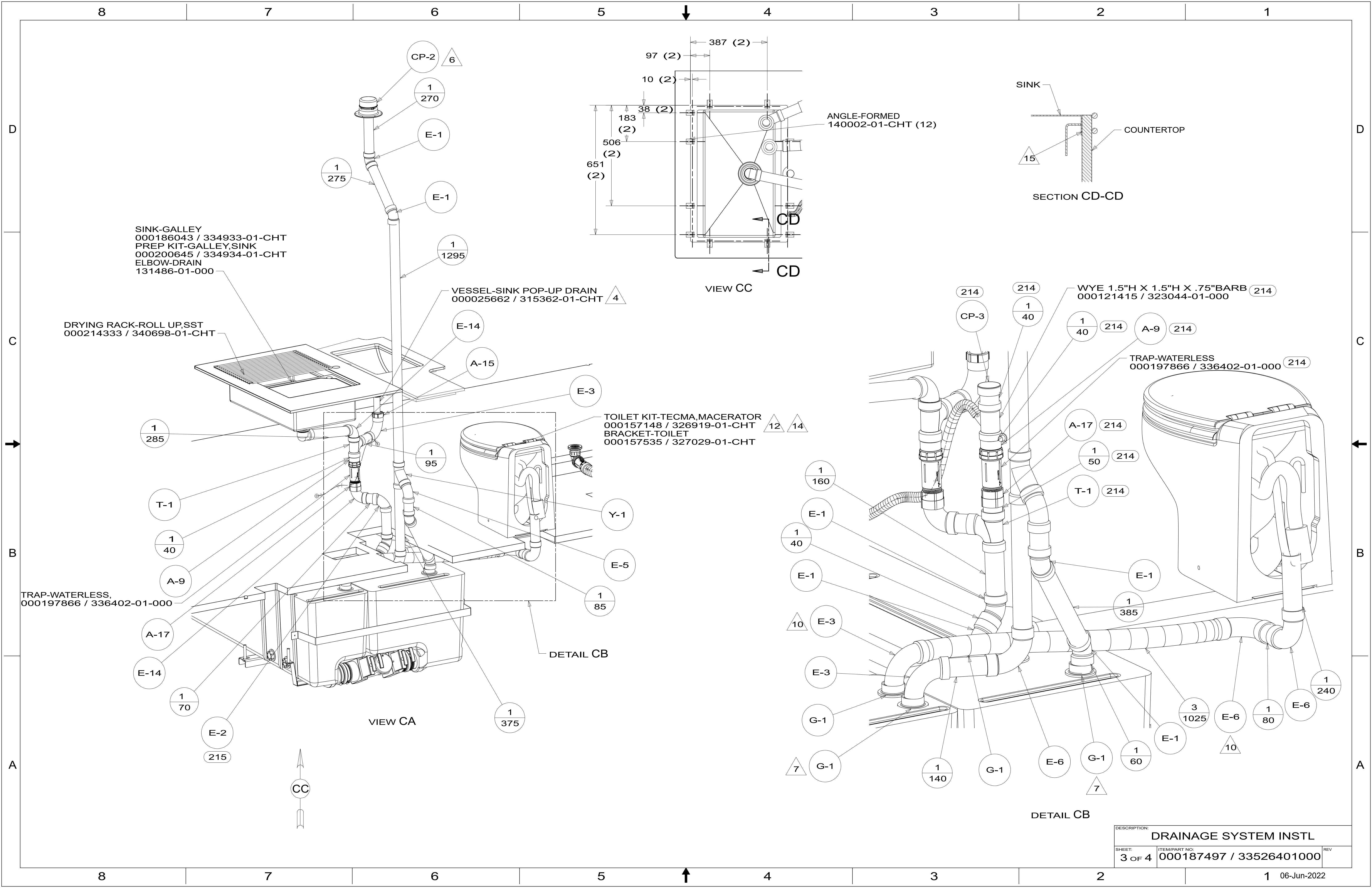


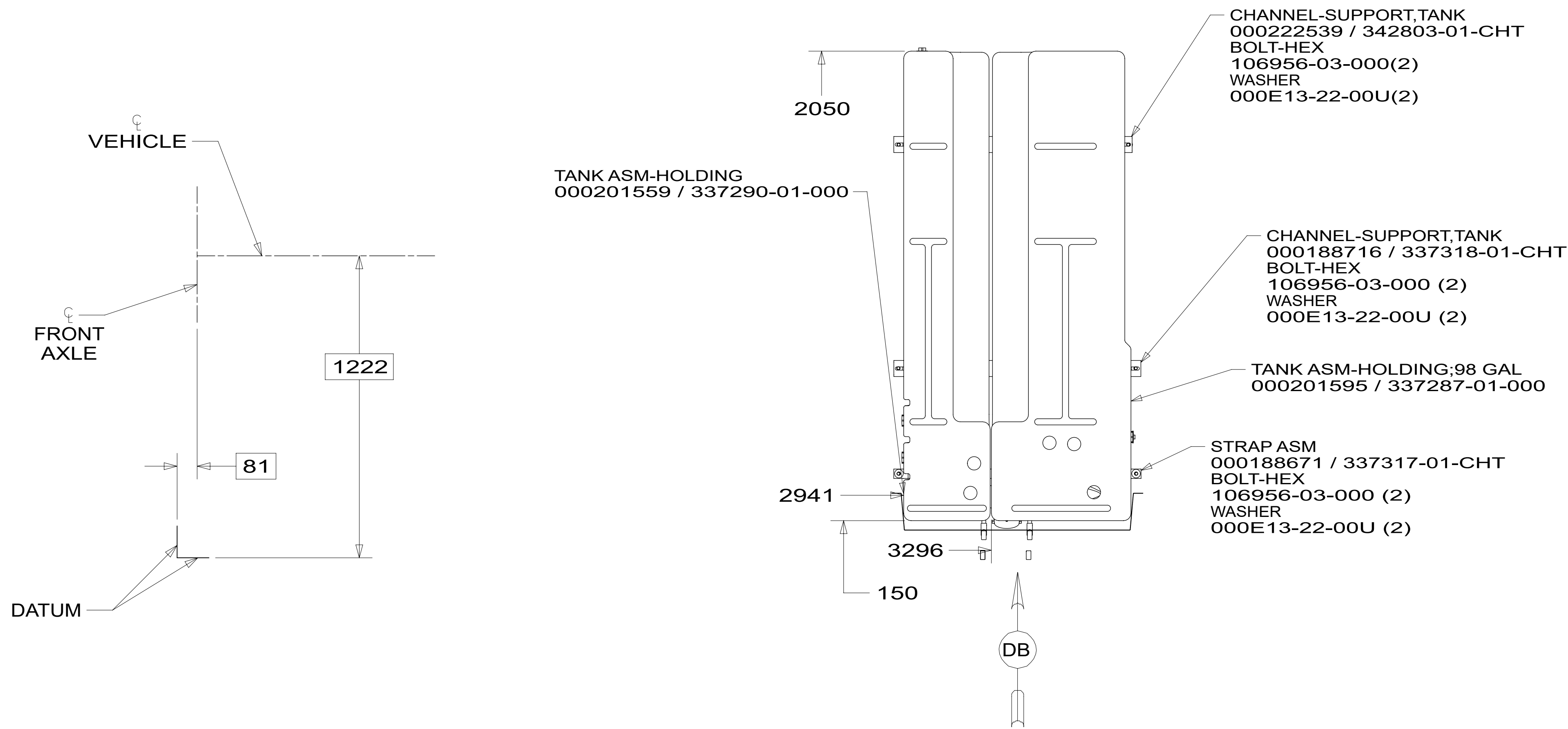
DETAIL BC
(SHOWN W/OUT FLOOR)

G-1

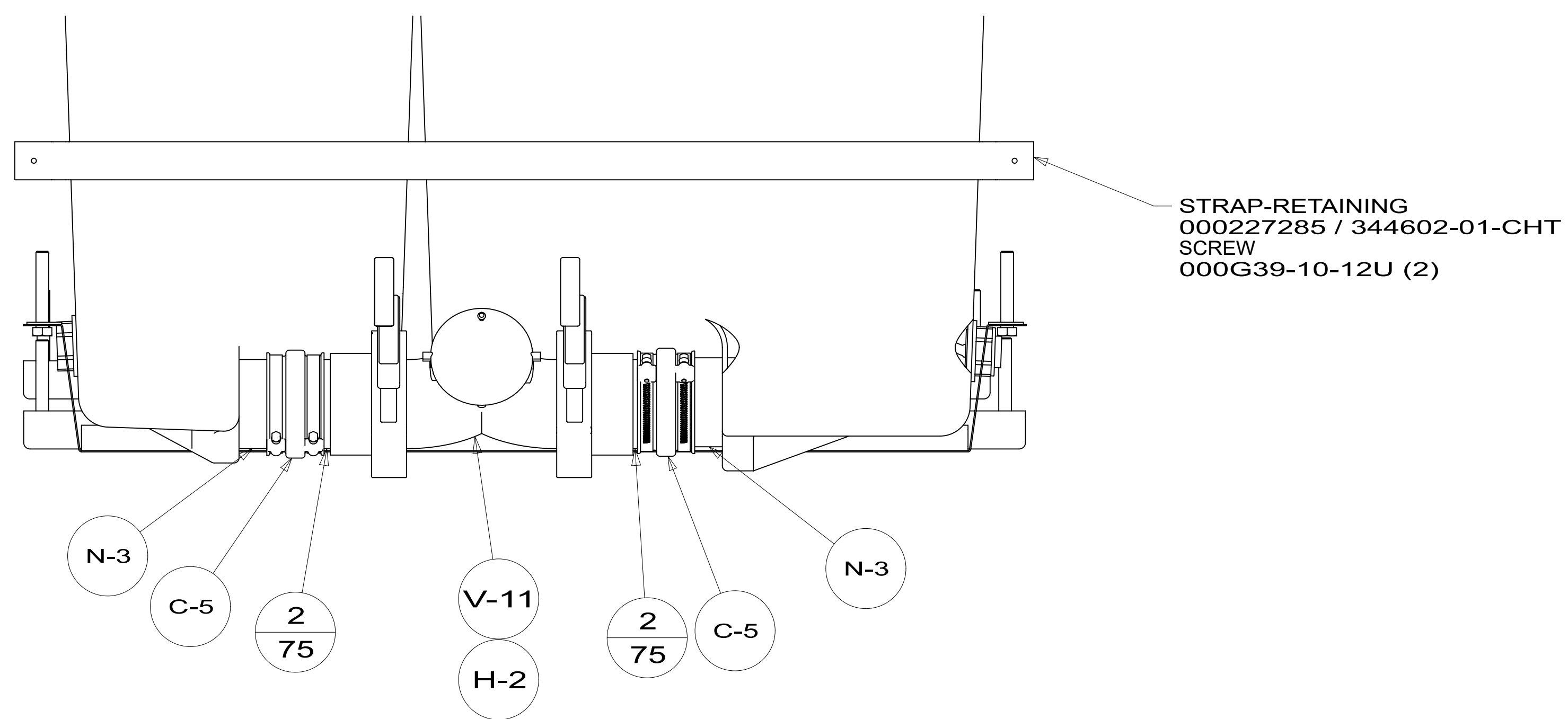
VIEW BA

DESCRIPTION: DRAINAGE SYSTEM INSTL		
SHEET: 2 OF 4	ITEM/PART NO: 000187497 / 33526401000	REV





TOP VIEW SHOWING ONLY DRAINS AND TANKS



VIEW DB

DESCRIPTION: DRAINAGE SYSTEM INSTL		
SHEET: 4 OF 4	ITEM/PART NO.: 000187497 / 33526401000	REV