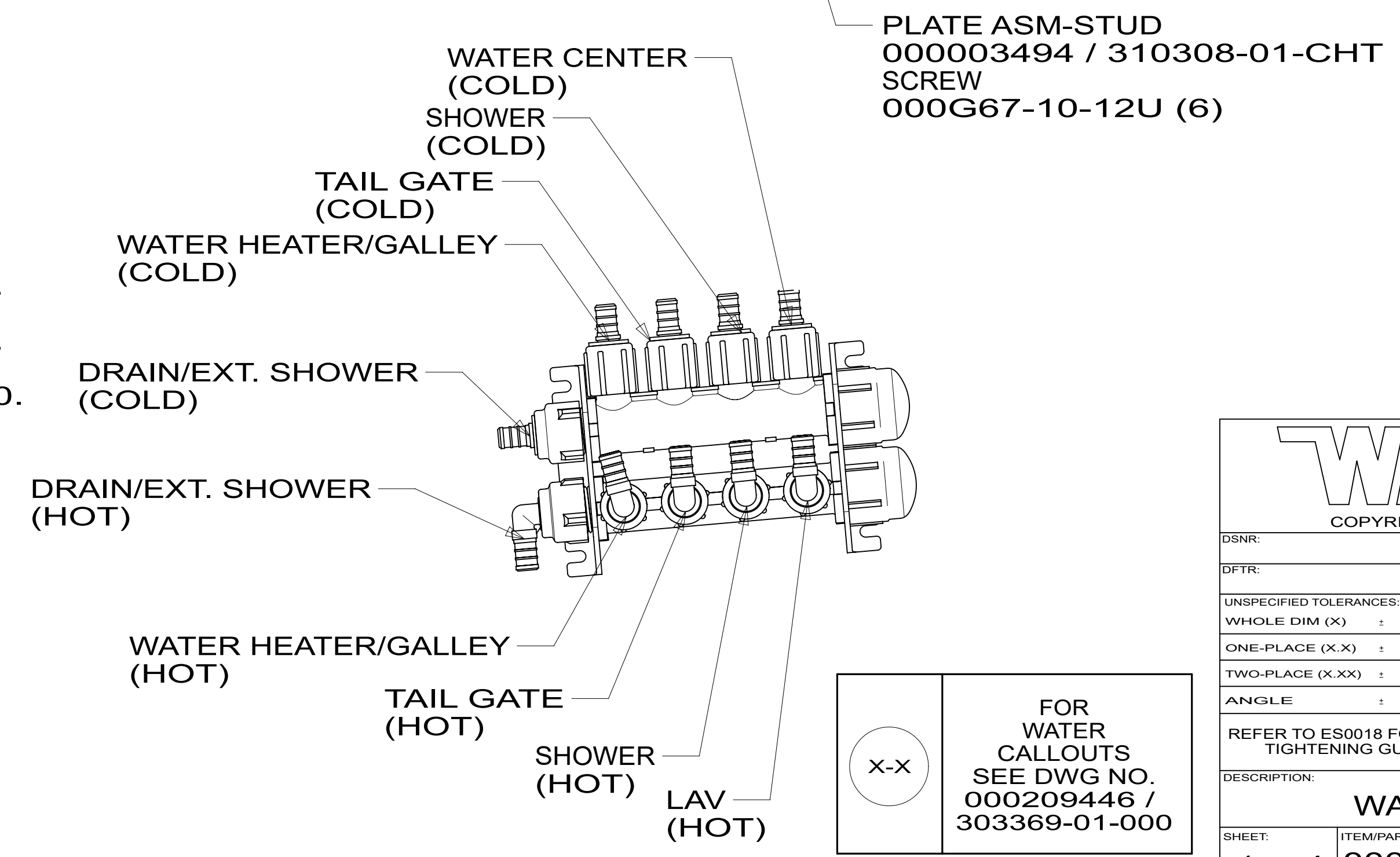
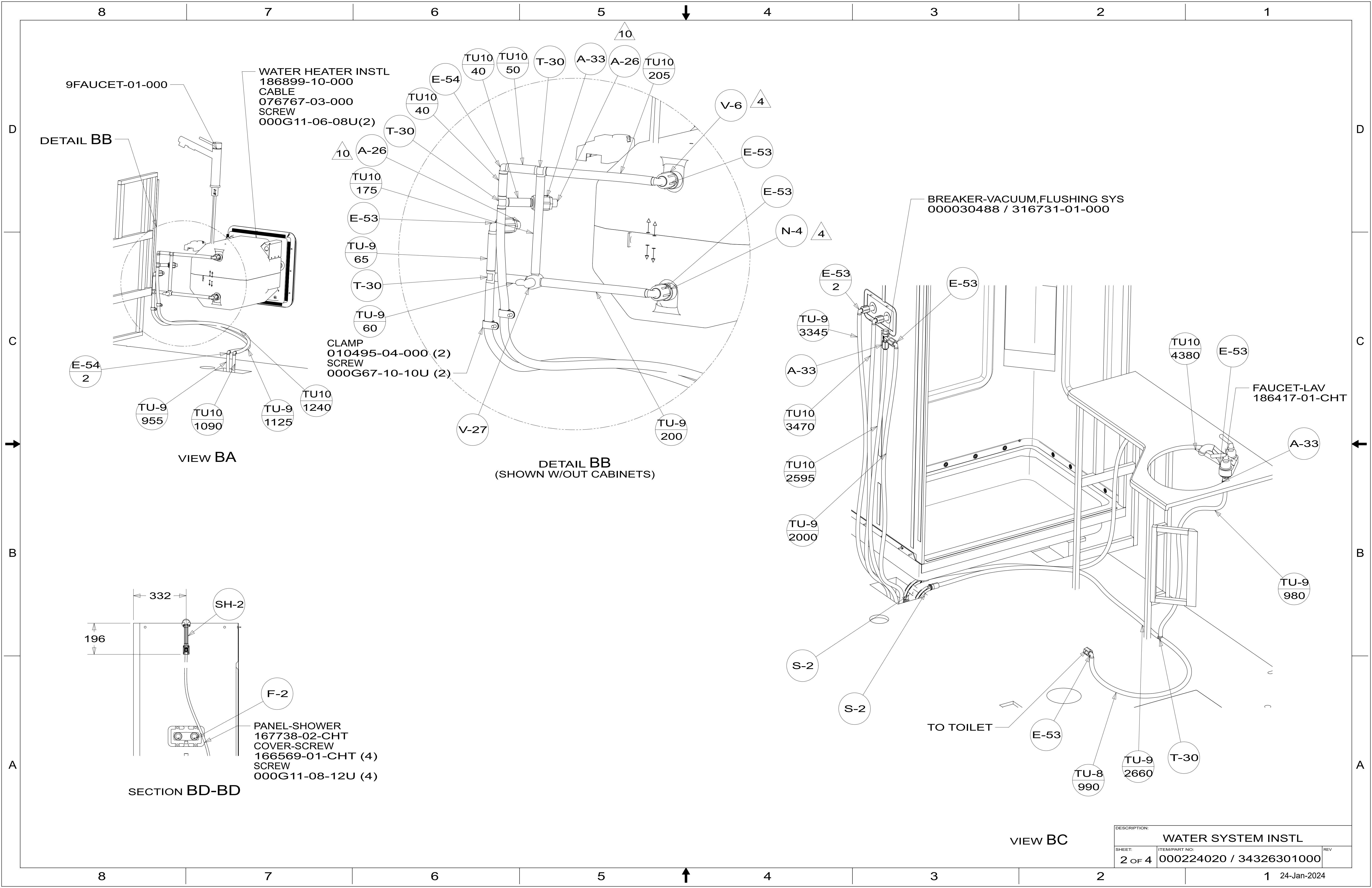


- NOTES:
1. PLASTIC FITTINGS TO BE SEALED WITH SEALANT 084456-01-000.
 2. TUBING TO BE INSTALLED WITH SUFFICIENT SLOPE TO PROVIDE DRAINAGE TO NEAREST VALVE.
 3. ALL TUBING TO BE SECURED AT 1200 INTERVALS MAXIMUM WITH CLAMP 010495-01-000 AND SCREW 000G67-10-12U OR EQUIVALENT.
 4. ADD TEFLON TAPE 010405-02-000.
 5. ADD PIPE WRAP (LADDER SCRAP 110157-02-000) INSULATION.
 6. LABEL HOT AND COLD SUPPLY TUBES AND TAPE FITTING TO TUBE BEFORE CABINET SET TO PREVENT MOVEMENT.
 7. ALL CRIMP FITTINGS TO 5/8" FLEX TUBING REQUIRE 5/8" CLAMP 000156248 / 326669-01-000.
 8. ALL CRIMP FITTINGS TO 1/2" PEX TUBING REQUIRE 1/2" CLAMP 000156249 / 326670-01-000.
 9. ALL CRIMP FITTINGS TO 3/4" PEX TUBING REQUIRE 3/4" CLAMP 000156247 / 326668-01-000.
 10. USE WITH FAUCET 000221451 / 342498-01-CHT.

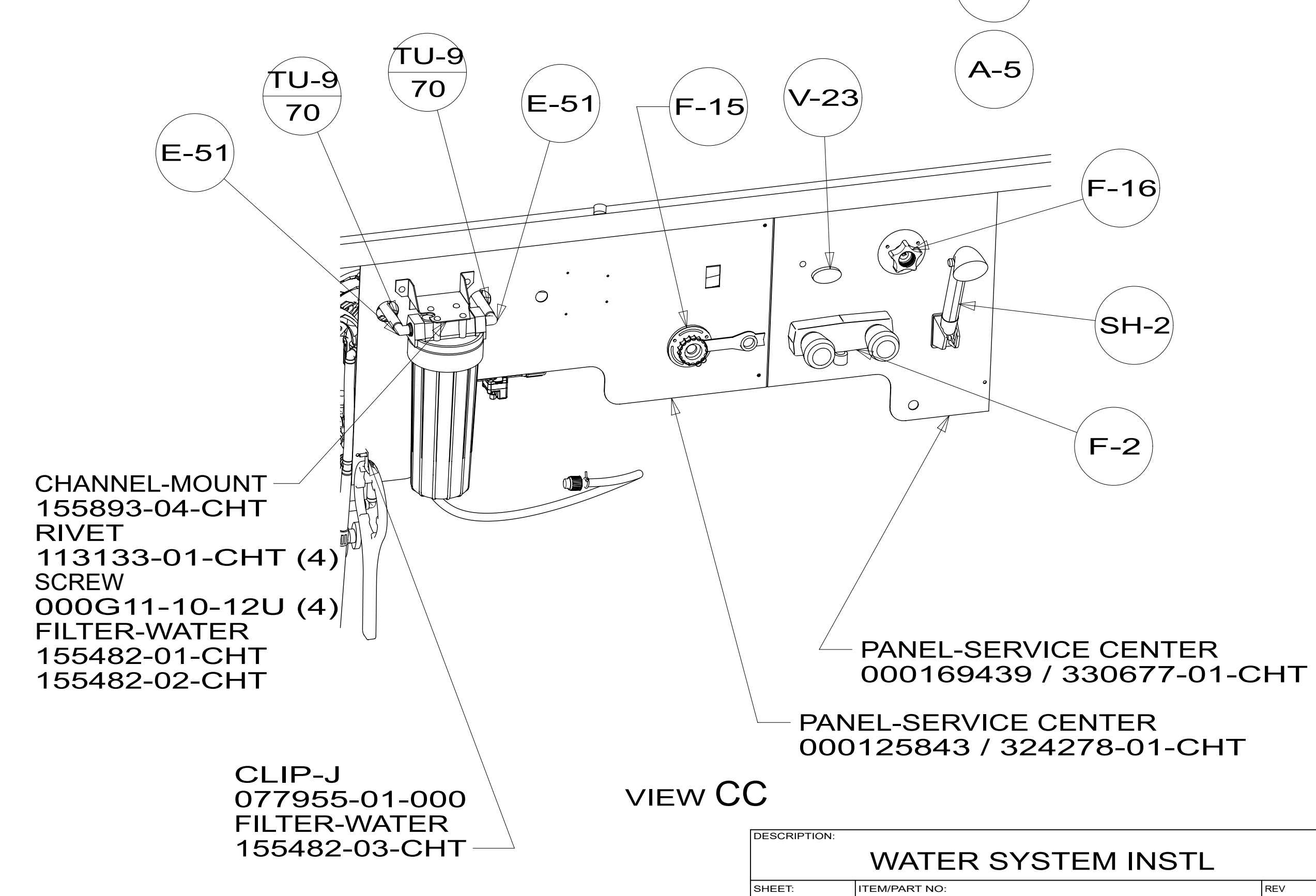
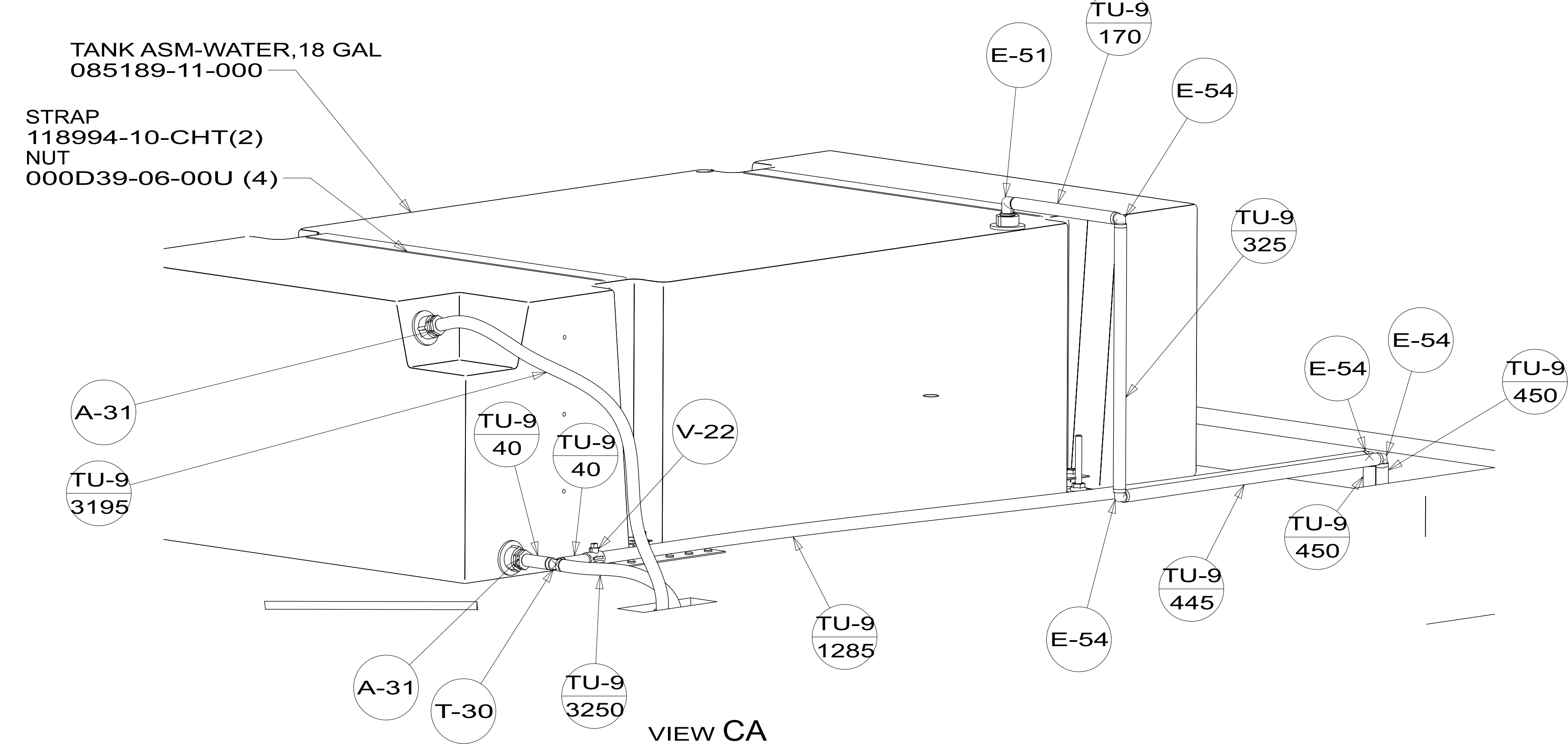
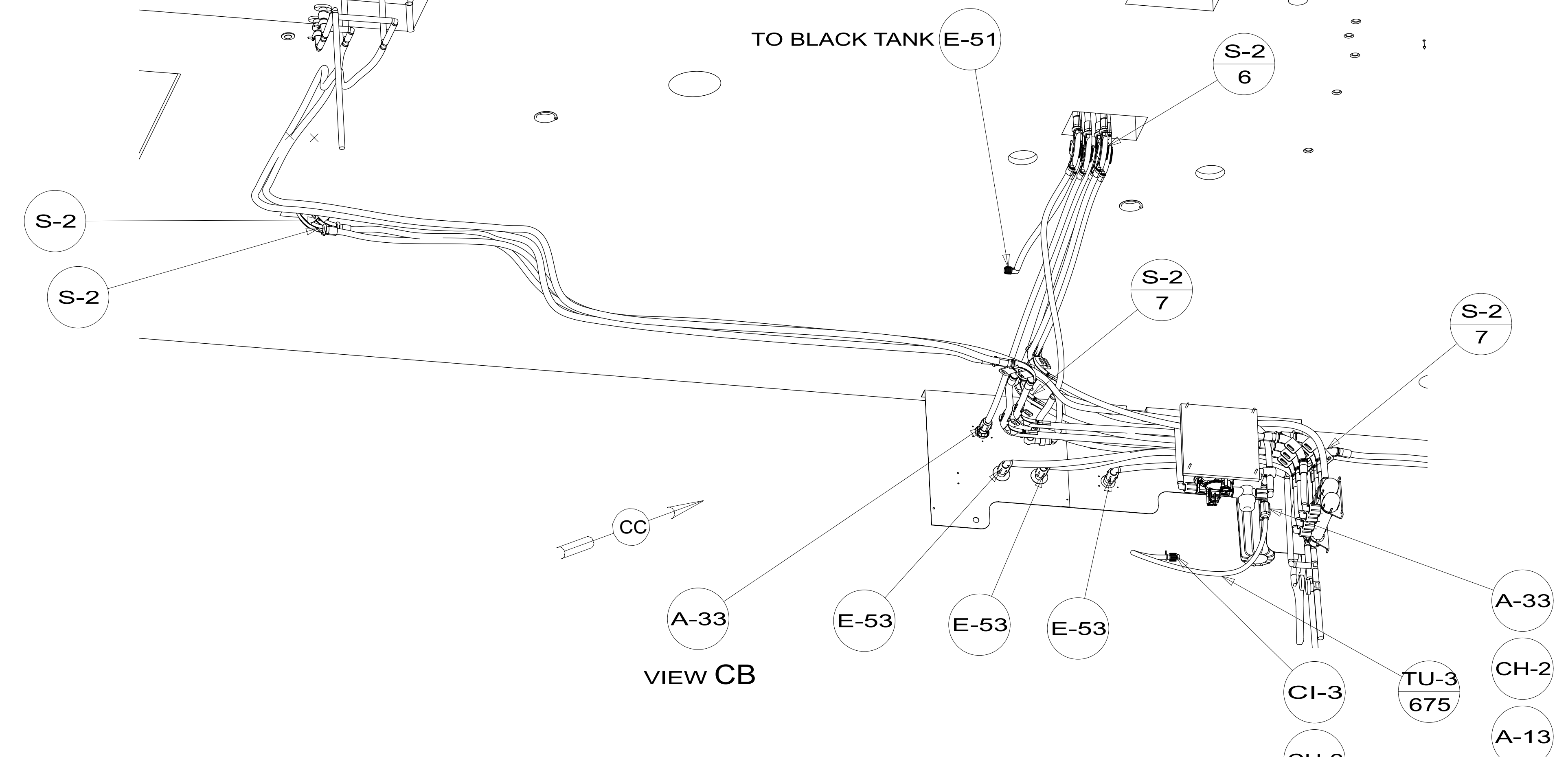
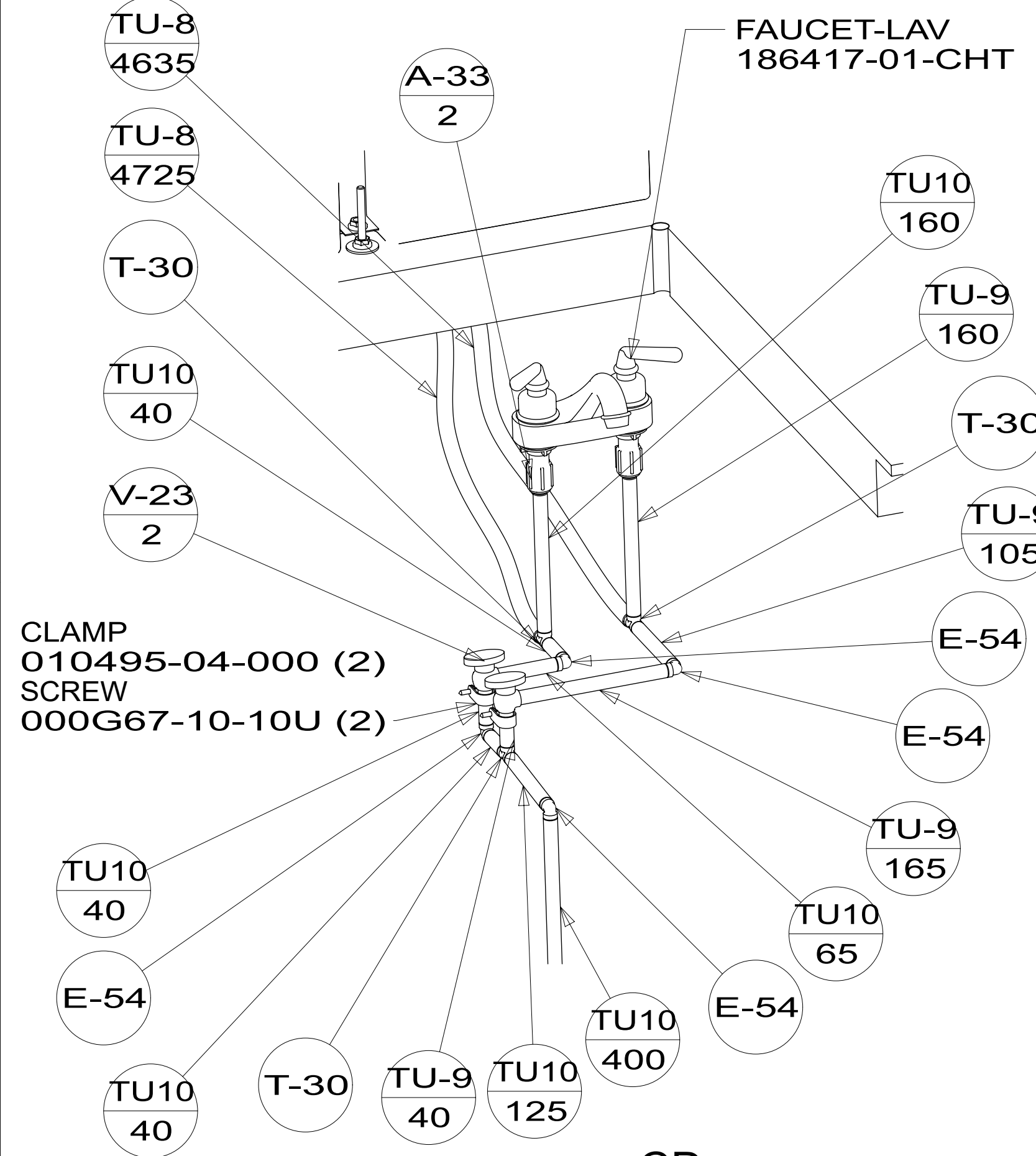
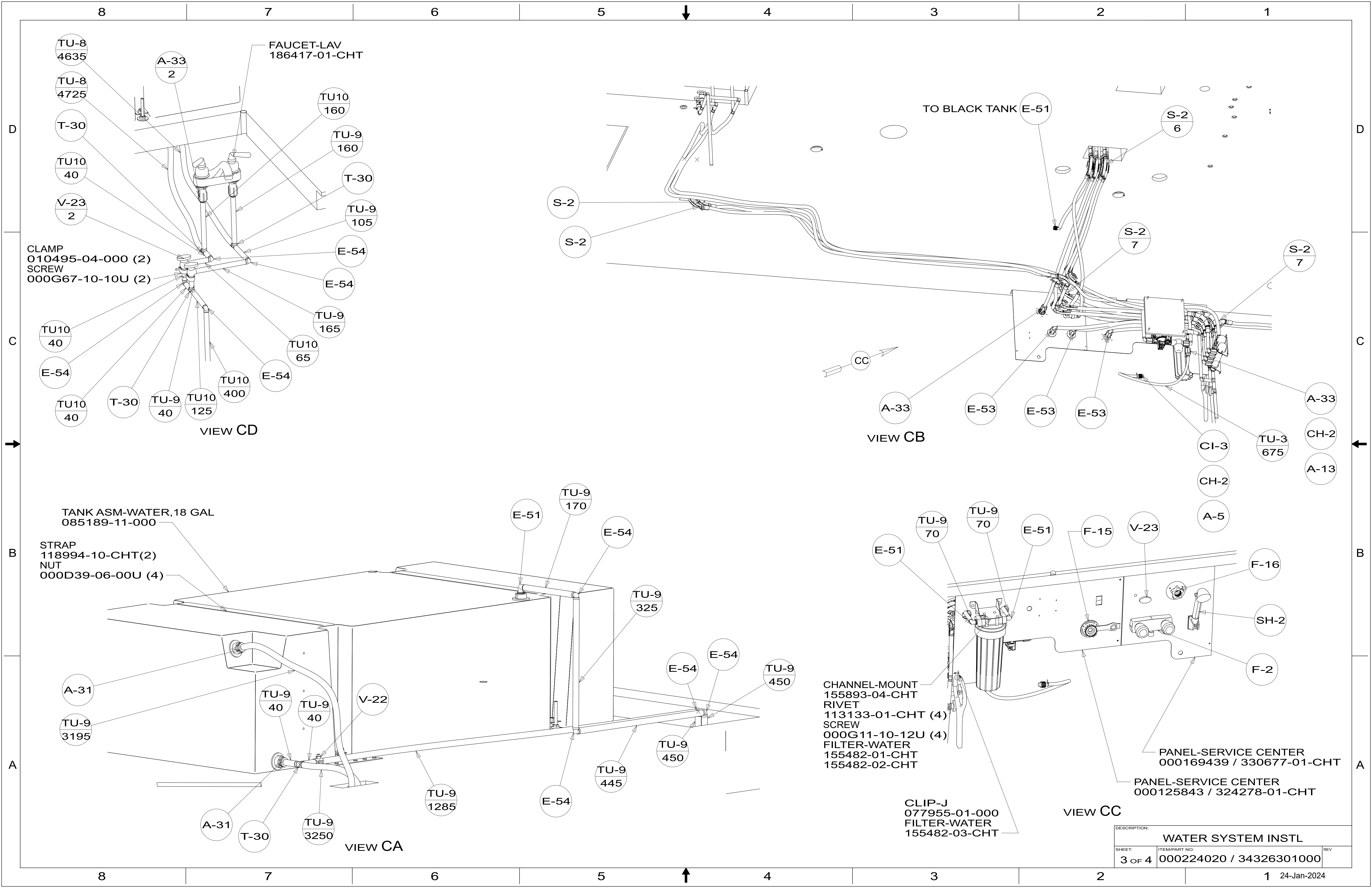


X-X
FOR WATER CALLOUTS SEE DWG NO. 000209446 / 303369-01-000

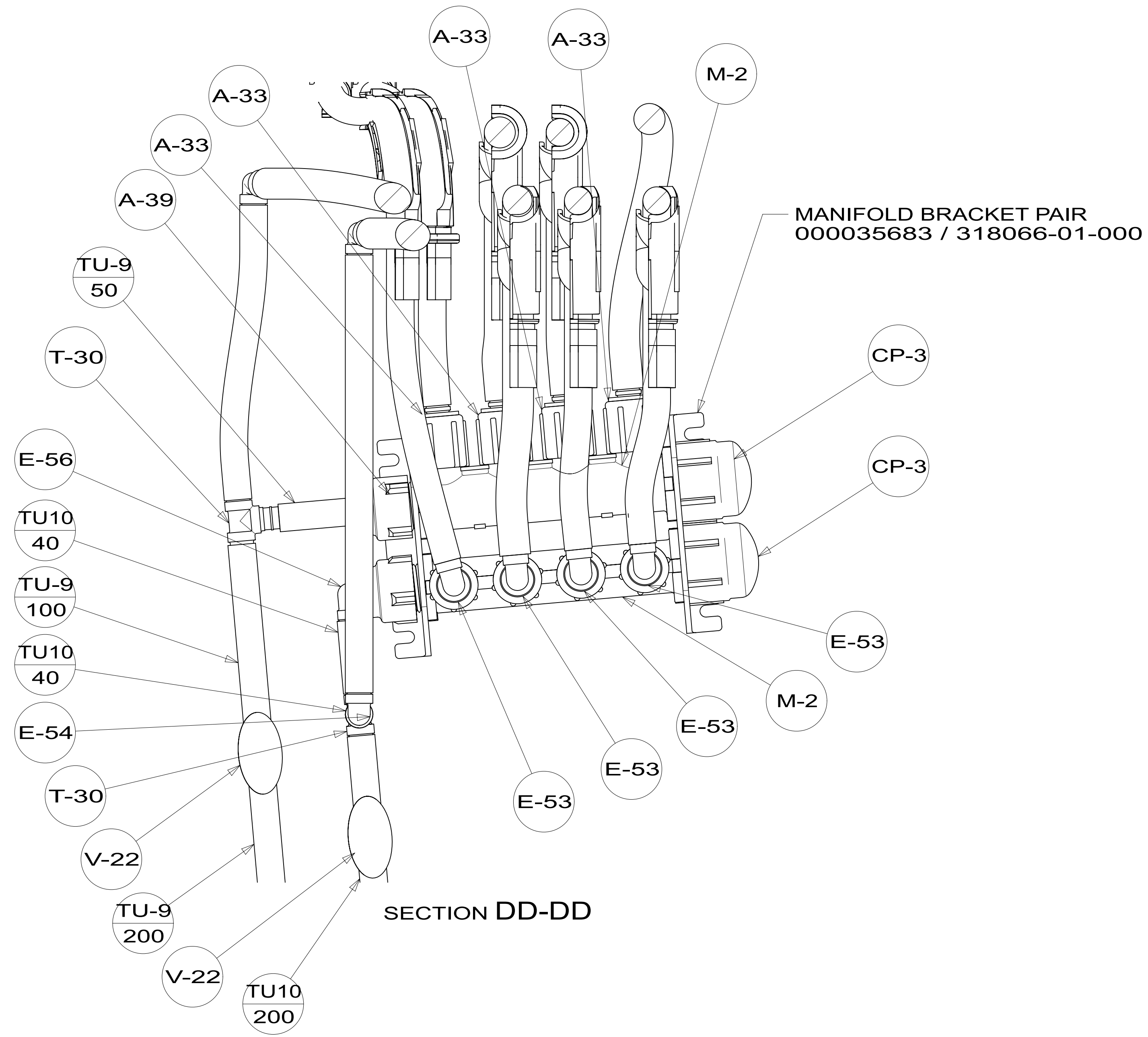
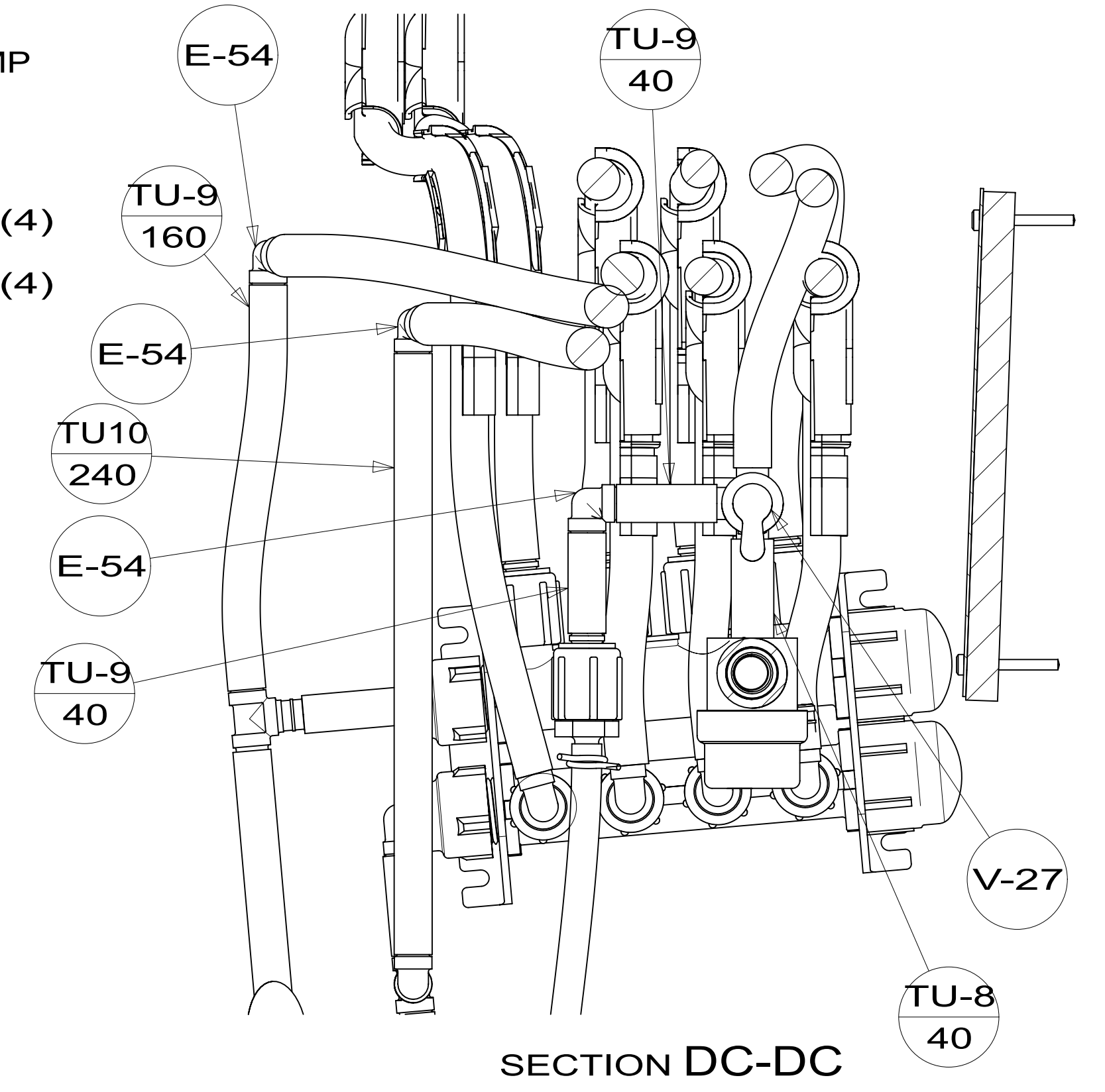
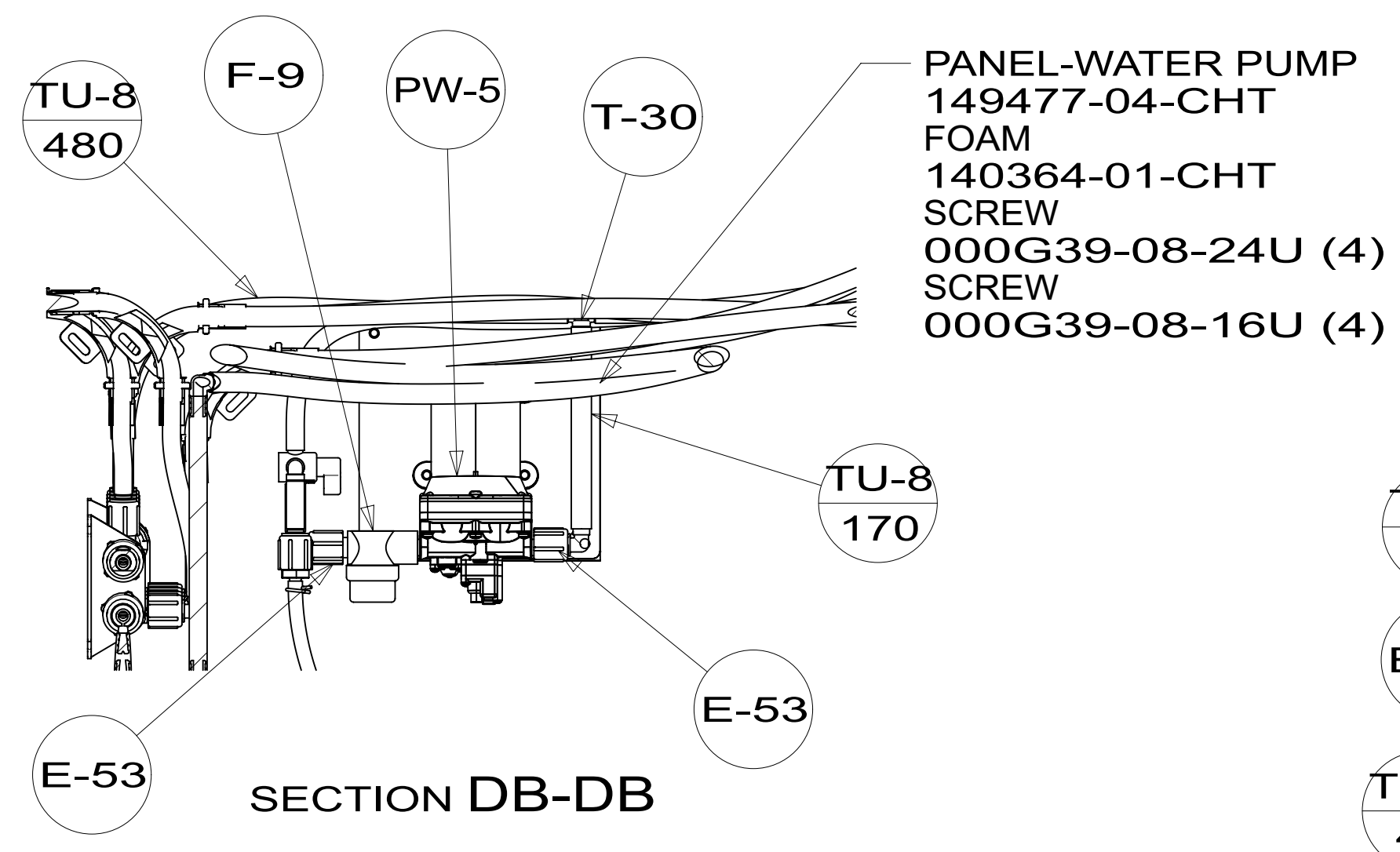
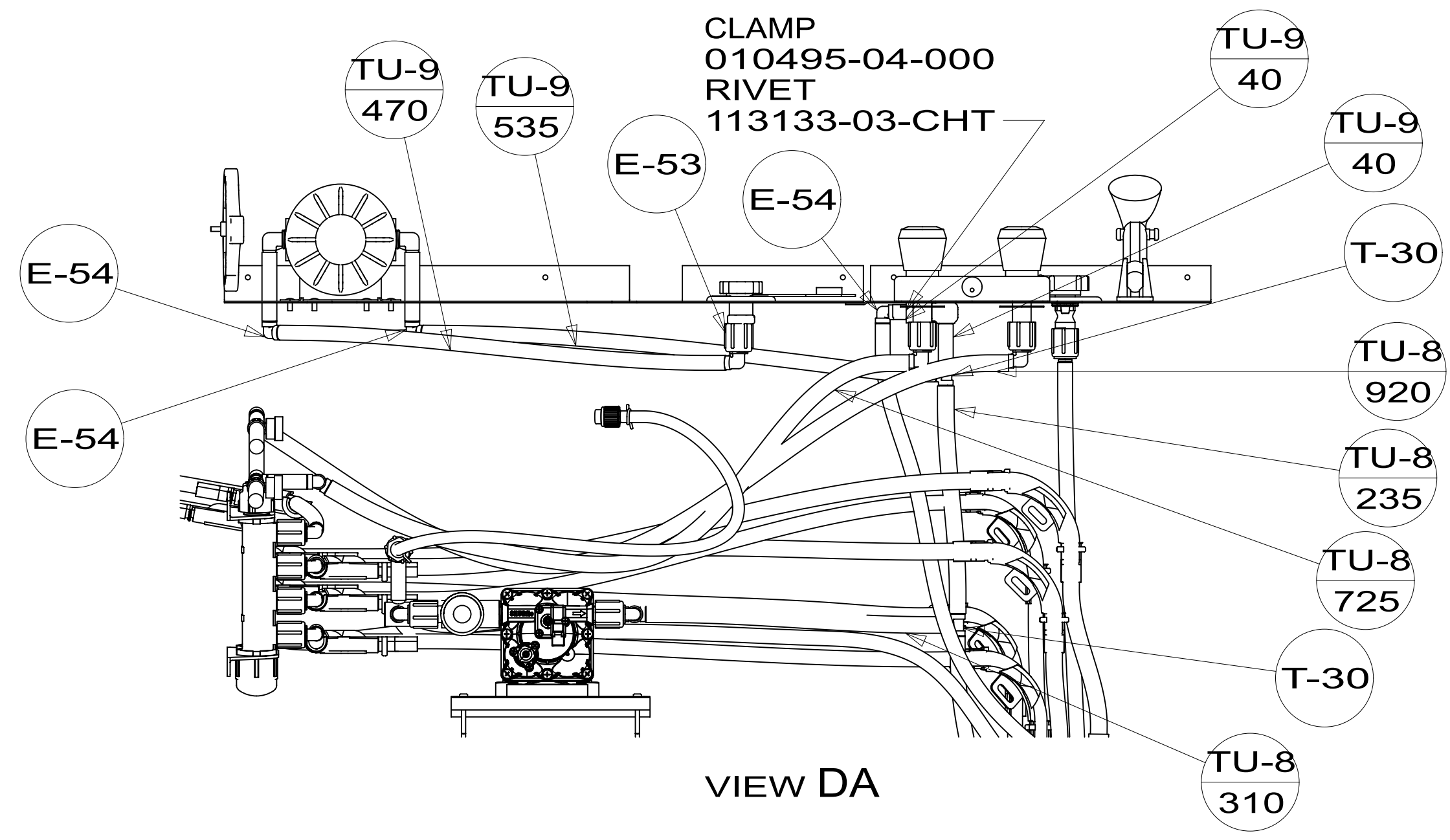
WINNEBAGO COPYRIGHT 2024 WINNEBAGO INDUSTRIES, INC.		
DSNR:	ALL DIMENSIONS ARE IN MILLIMETERS	
DFTR:		
UNSPECIFIED TOLERANCES:	MATERIAL:	
WHOLE DIM (X) :	3	
ONE-PLACE (X.X) :	1.5	
TWO-PLACE (X.XX) :	0.50	
ANGLE :	1°	
REFER TO ES0018 FOR FASTENER TIGHTENING GUIDELINES	WEIGHT: (LBS)	FIRST USED: (REF)
		21 F29B
DESCRIPTION: WATER SYSTEM INSTL		
SHEET: 1 OF 4	ITEM/PART NO.: 000224020 / 34326301000	REV:
REF:		1 24-Jan-2024



DESCRIPTION:		
WATER SYSTEM INSTL		
SHEET:	ITEM/PART NO.:	REV
2 OF 4	000224020 / 34326301000	



DESCRIPTION: WATER SYSTEM INSTL		
SHEET: 3 OF 4	ITEM/PART NO: 000224020 / 34326301000	REV



DESCRIPTION:		
WATER SYSTEM INSTL		
SHEET:	ITEM/PART NO.:	REV
4 OF 4	000224020 / 34326301000	