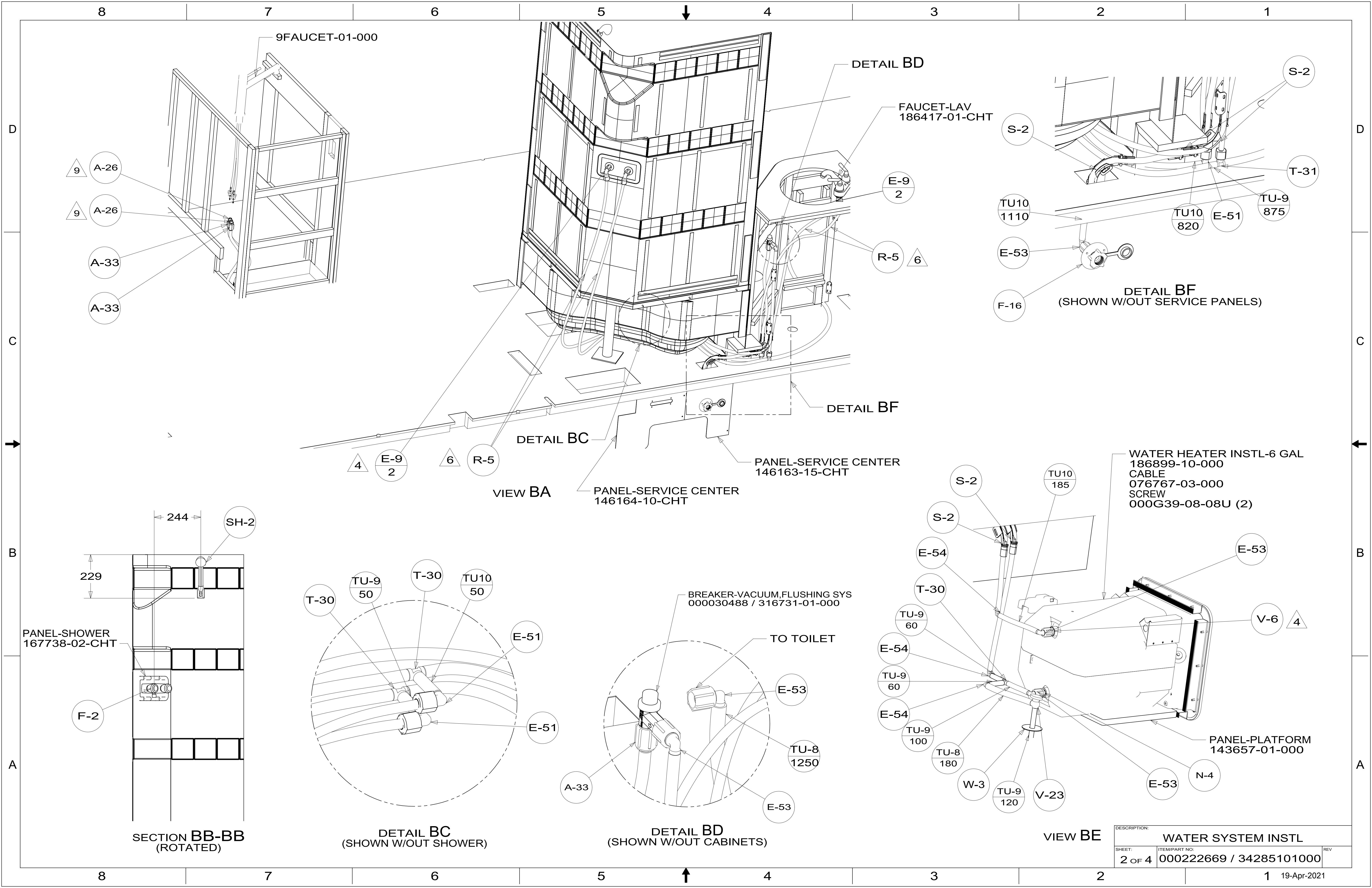


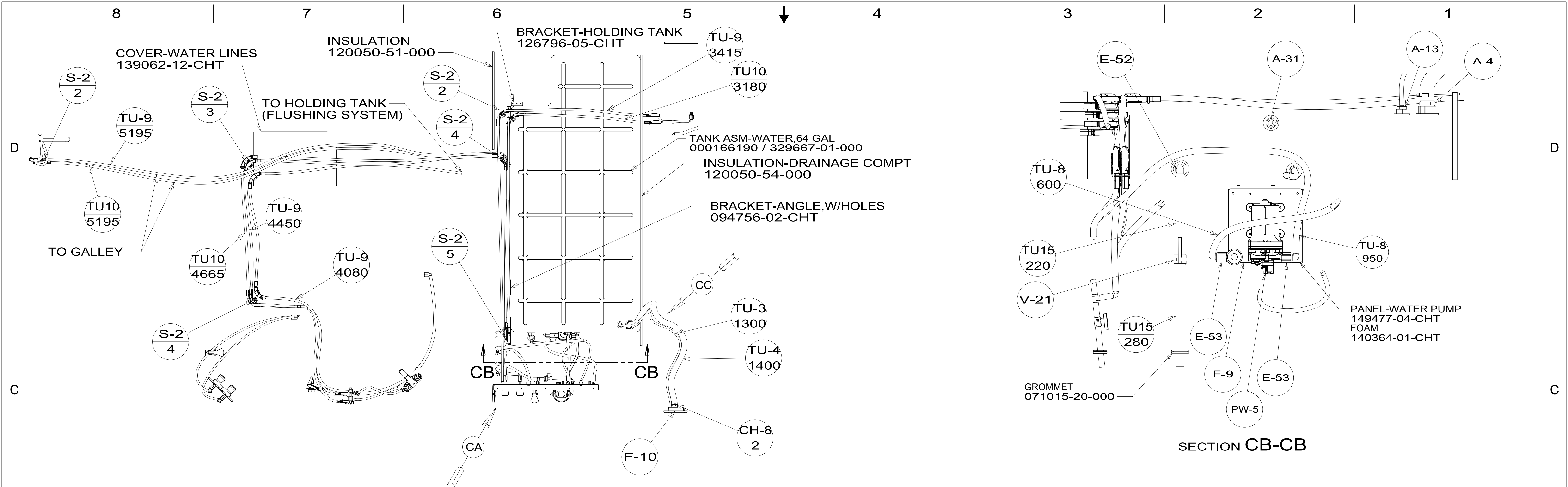
- NOTES:
9. USE WITH FAUCET 000221451 / 342498-01-CHT.
 8. ALL CRIMP FITTINGS TO PEX TUBING REQUIRE 1/2" CLAMP 000156249 / 326670-01-000.
 7. ALL CRIMP FITTINGS TO PEX TUBING REQUIRE 5/8" CLAMP 000156248 / 326669-01-000.
 - 6 LABEL HOT AND COLD SUPPLY TUBES AND TAPE FITTING TO TUBE BEFORE CABINET SET TO PREVENT MOVEMENT.
 - 5 ADD PIPE WRAP (LADDER SCRAP 110157-02-000) INSULATION.
 - 4 ADD TEFLON TAPE 010405-02-000.
 3. ALL TUBING TO BE SECURED AT 1200 INTERVALS MAXIMUM WITH CLAMP 010495-01-000 AND SCREW 000G67-10-12U OR EQUIVALENT.
 2. TUBING TO BE INSTALLED WITH SUFFICIENT SLOPE TO PROVIDE DRAINAGE TO NEAREST VALVE.
 1. PLASTIC FITTINGS TO BE SEALED WITH SEALANT 084456-01-000.

X-X
 FOR
 WATER
 CALLOUTS
 SEE DWG NO.
 000209446 /
 303369-01-000

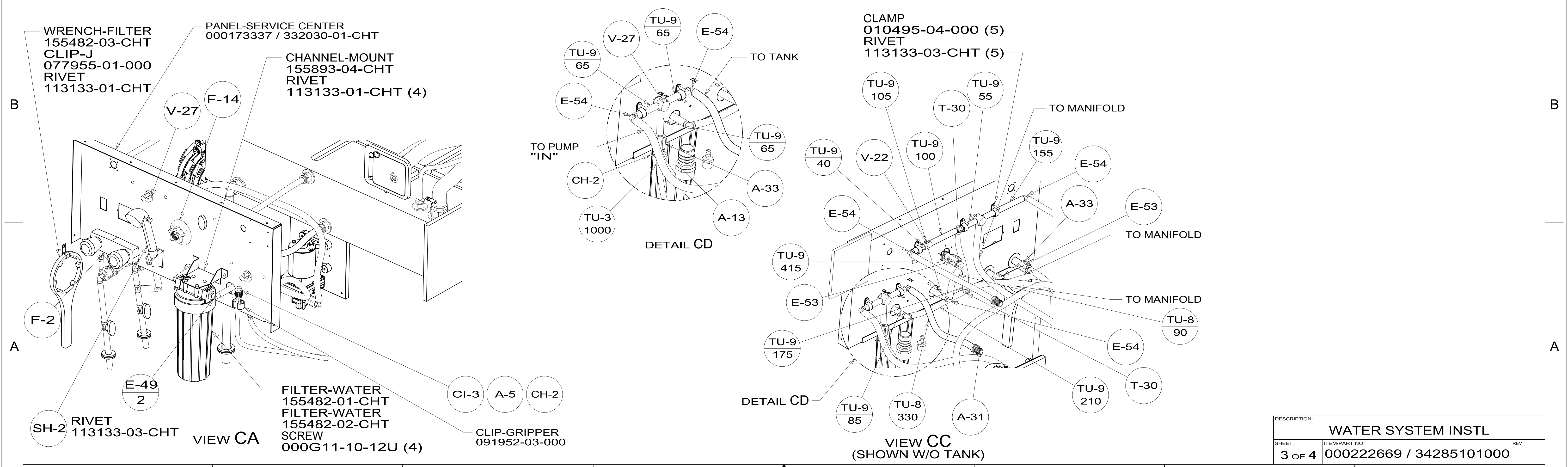
WINNEBAGO [®]		COPYRIGHT 2018 WINNEBAGO INDUSTRIES, INC.	
DSNR:		ALL DIMENSIONS ARE IN MILLIMETERS	
DIFTR:			
UNSPECIFIED TOLERANCES:		MATERIAL:	
WHOLE DIM (X)	± 3		
ONE-PLACE (X.X)	± 1.5		
TWO-PLACE (X.XX)	± 0.50		
ANGLE	± 1°		
REFER TO ES0018 FOR FASTENER TIGHTENING GUIDELINES		WEIGHT: (LBS)	FIRST USED: (REF)
			21 F27N
DESCRIPTION:			
WATER SYSTEM INSTL			
SHEET:	ITEM/PART NO.:	REV	
1 OF 4	000222669 / 34285101000		
		REF:	1 19-Apr-2021



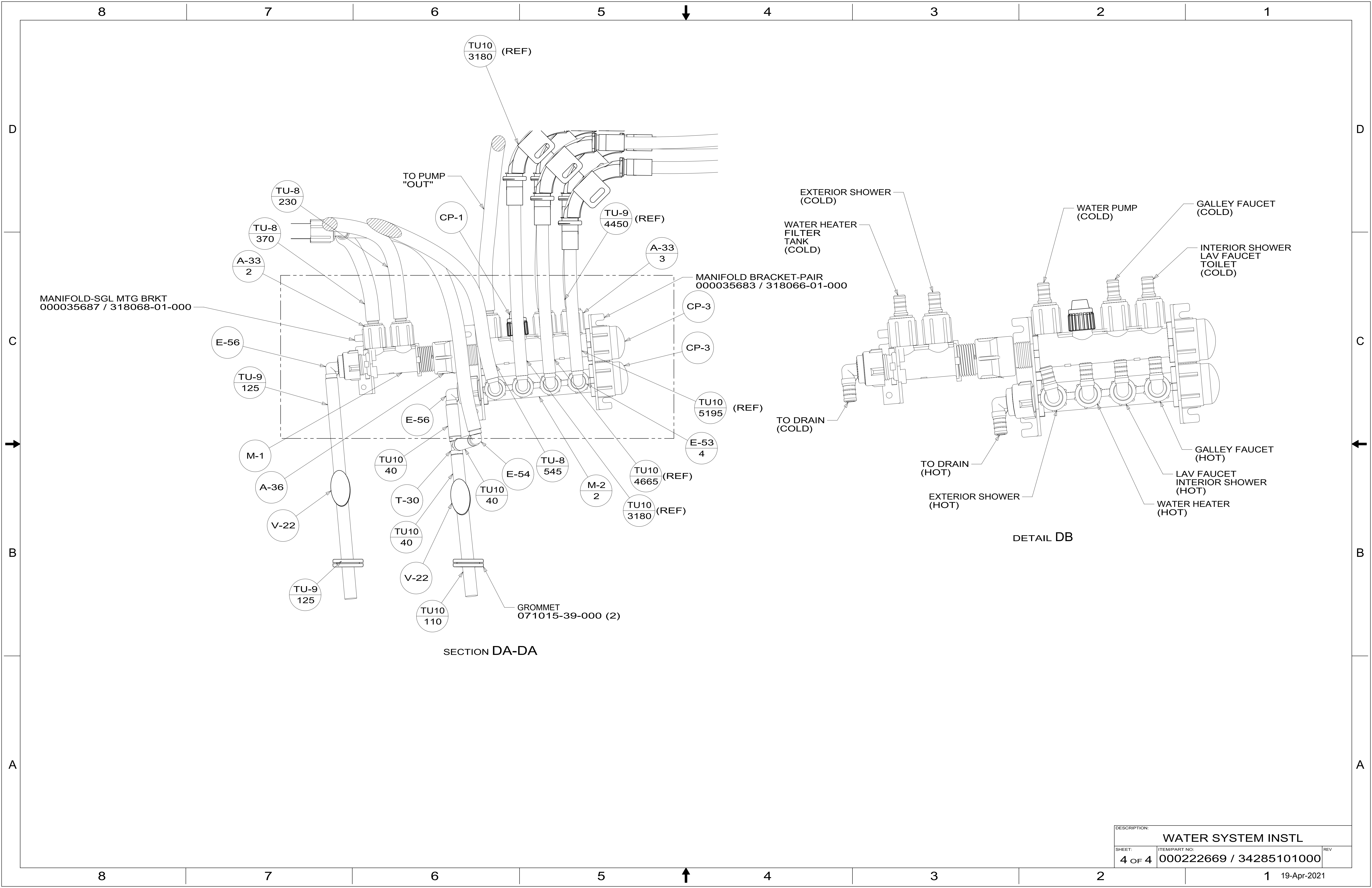
DESCRIPTION:		
WATER SYSTEM INSTL		
SHEET:	ITEM/PART NO.:	REV
2 OF 4	000222669 / 34285101000	



ONLY SHOWING LINES UNDER FLOOR



DESCRIPTION:		
WATER SYSTEM INSTL		
SHEET:	ITEM/PART NO:	REV
3 OF 4	000222669 / 34285101000	



MANIFOLD-SGL MTG BRKT
000035687 / 318068-01-000

MANIFOLD BRACKET-PAIR
000035683 / 318066-01-000

DETAIL DB

SECTION DA-DA

DESCRIPTION:		
WATER SYSTEM INSTL		
SHEET:	ITEM/PART NO.:	REV
4 OF 4	000222669 / 34285101000	