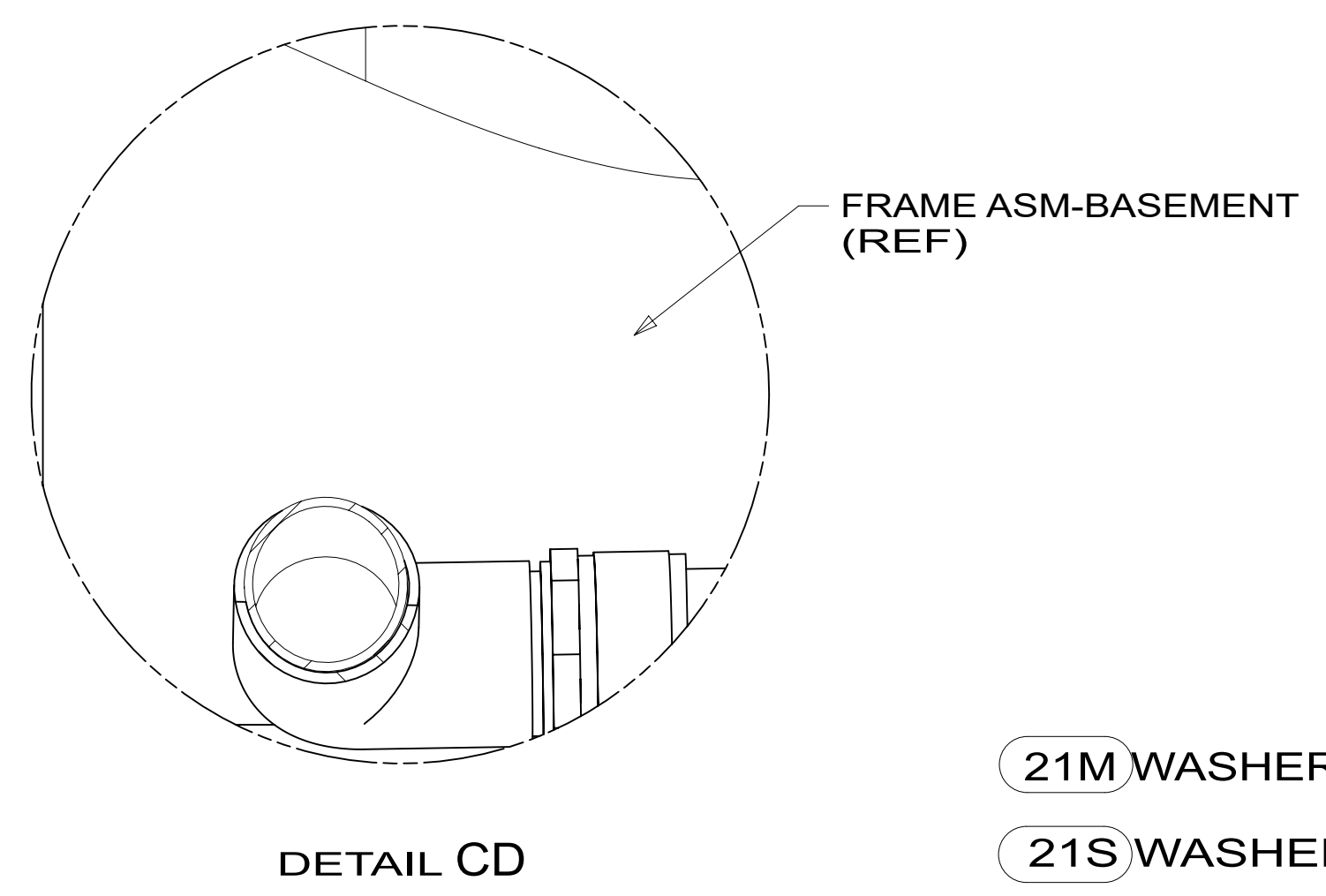


- NOTES:
1. SLOPE OF HORIZONTAL PIPING TO BE MINIMUM OF 3 PER 305 mm.
 2. SLOPE OF TRAP ARM MUST BE 6 PER 305 mm.
 3. ALL PIPE AND FITTINGS TO BE ASSEMBLED WITH SOLVENT 004020-01-000 (USA), 004020-02-000 (CAN)
 4. USE SMOOTH PLUMBERS PUTTY 167459-01-000 TO SEAL STRAINER (0.2 PER STRAINER).
 5. SEAL AROUND SHOWER WITH SILICONE.
 6. VENT PIPE MUST PROJECT 51 MIN AND 64 MAX ABOVE ROOF FOR PROPER FIT AND FUNCTION. ADD S-1 (000156099 / 326607-01-CHT SEAL-VENT PIPE) AROUND PIPE ON ROOF BEFORE VENT CAP IS INSTALLED.
 7. SECURE VENT PIPE TO GROMMET WITH CLAMP 000156237 / 326663-02-000.
 8. SECURE DRAINAGE PIPES TO CABINET USING WIRE TIE 108046-02-000, AND SCREW 000G67-10-12U AT INTERVALS OF NOT OF NOT MORE THAN 4 FEET APART.
 9. SEE DRAWING 061607 FOR INSTALLATION OF GROMMETS.



FOR DRAINAGE CALLOUTS SEE DWG NO. 000211962 / 303370-01-000

- 21M WASHER/DRYER PREP
- 21S WASHER & DRYER-PAIR

WINNEBAGO [®]		COPYRIGHT 2023 WINNEBAGO INDUSTRIES, INC.	
DSNR:		ALL DIMENSIONS ARE IN MILLIMETERS	
DFTR:			
UNSPECIFIED TOLERANCES:		MATERIAL:	
WHOLE DIM (X)	3		
ONE-PLACE (X.X)	1.5		
TWO-PLACE (X.XX)	0.50		
ANGLE	1°		
REFER TO ES0018 FOR FASTENER TIGHTENING GUIDELINES	WEIGHT: (LBS)	FIRST USED: (REF)	
		21 Y34AE	
DESCRIPTION: DRAINAGE SYSTEM INSTL			
SHEET:	ITEM/PART NO.:	REV	
1 OF 5	000221657 / 34255601000		

8 7 6 5 4 3 2 1

SINK-GALLEY,SINGL
 000200512 / 339600-01-CHT
 STRAINER
 092303-01-000
 SEAL
 (A/R)
 ANGLE-W/SLOT
 140002-01-CHT (8)

NUT-SLIP,W/WING 1 3/4
 130403-01-000
 TAIL PIECE 1 1/2 X 4
 000167613 / 330149-01-000

STRAP-CONDUIT,2"
 008406-01-000

ELBOW
 136111-01-000

STRAP-CONDUIT,2"
 008406-01-000 (4)

ELBOW
 136111-01-000

STRAP-CONDUIT,2"
 008406-01-000

FRAME ASM-CHASSIS
 (REF)

DETAIL BD
 (SHOWN W/OUT CABINETS AND FLOOR)

DETAIL BC
 (21S)

DETAIL BC
 (21M)

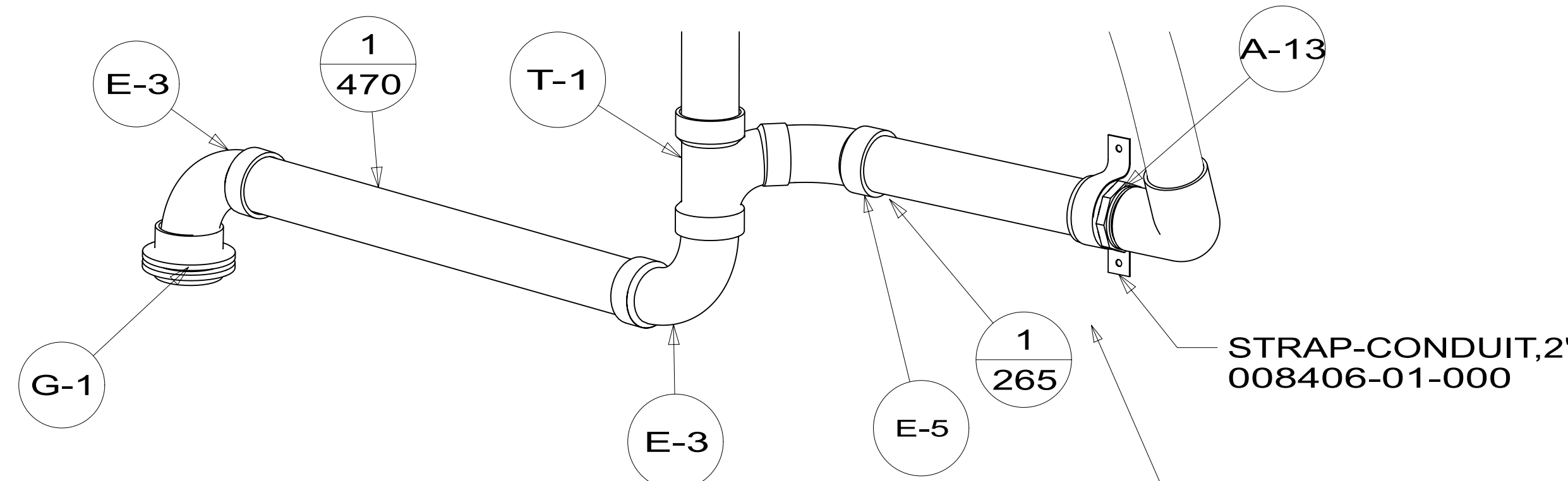
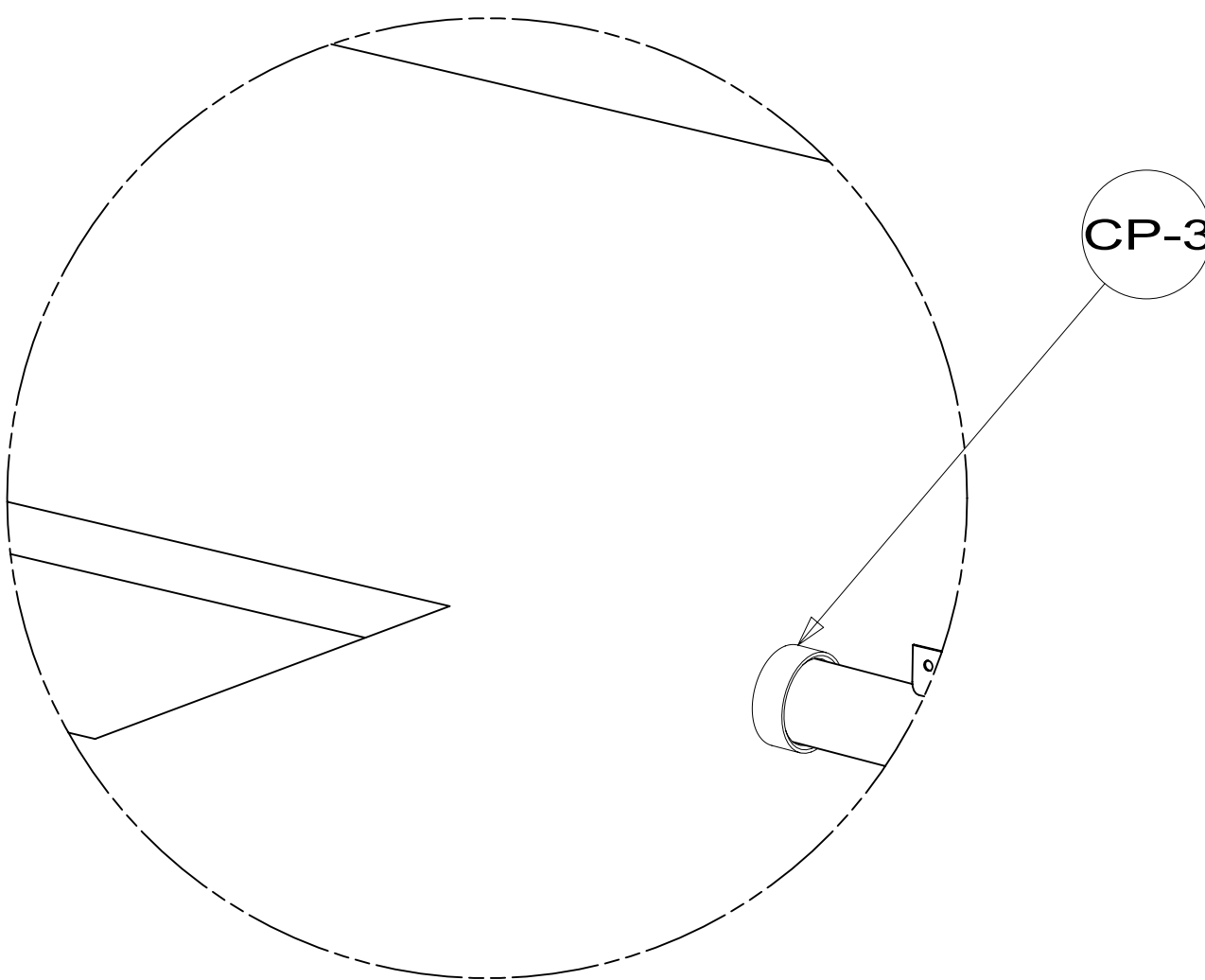
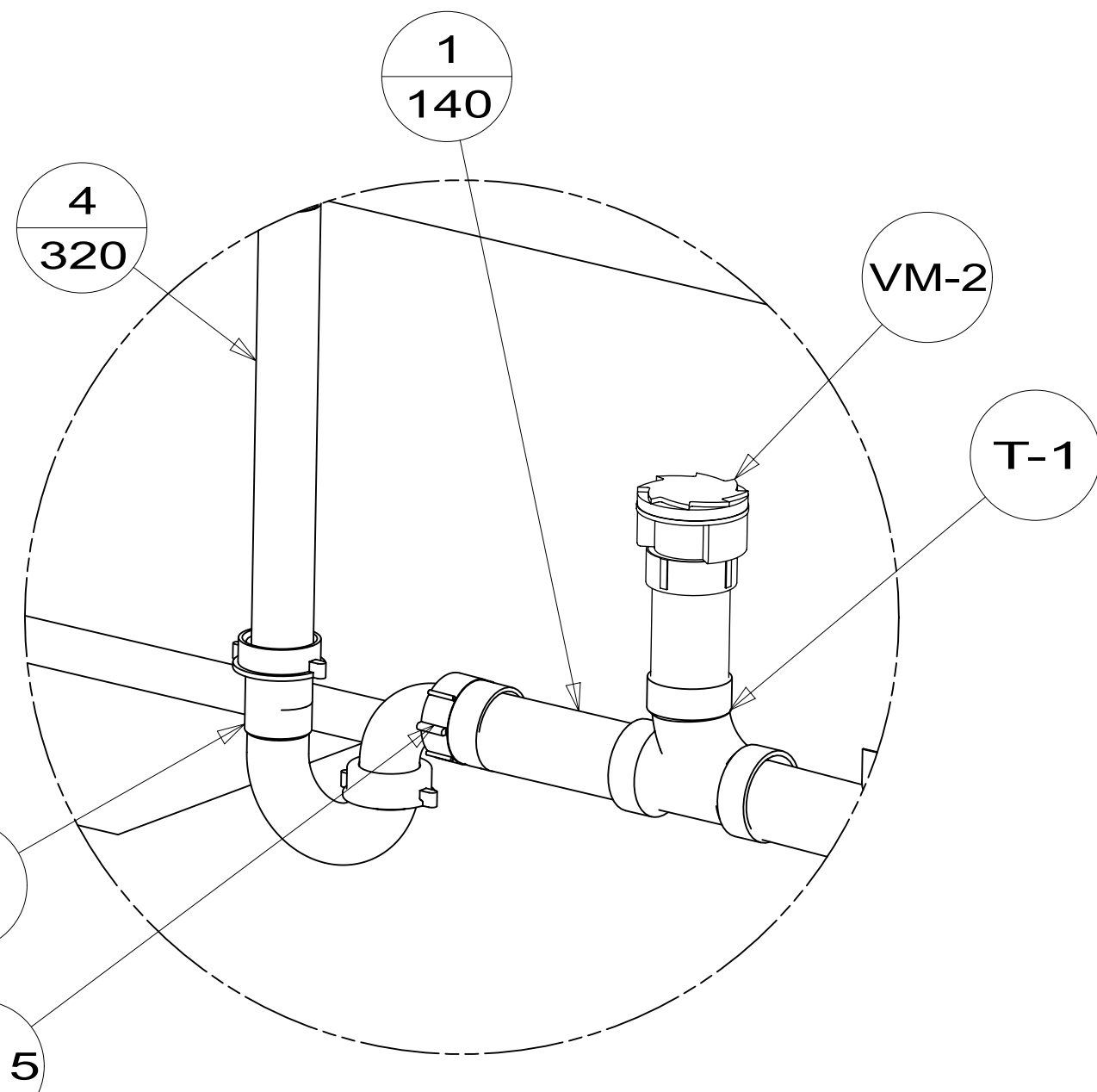
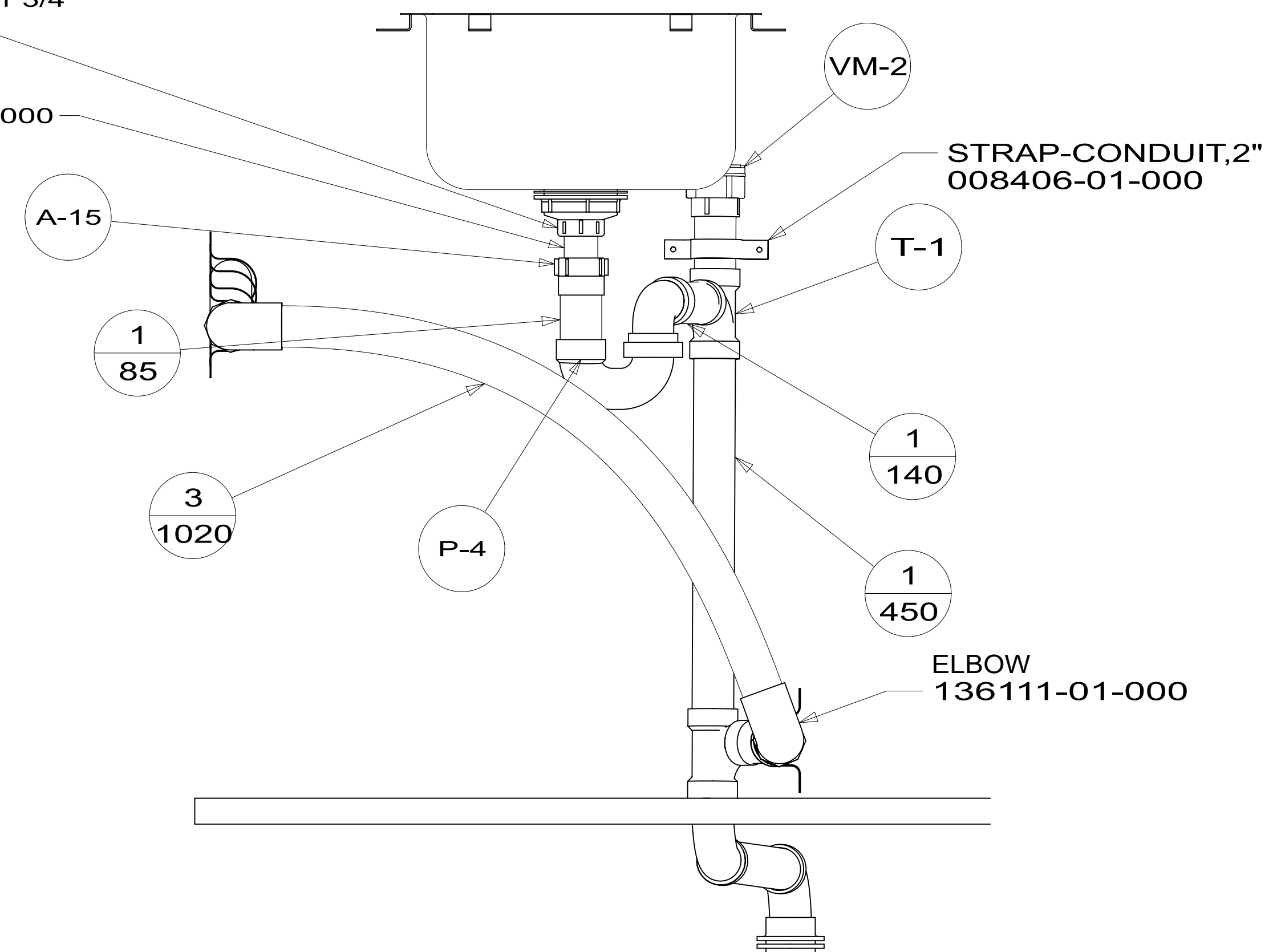
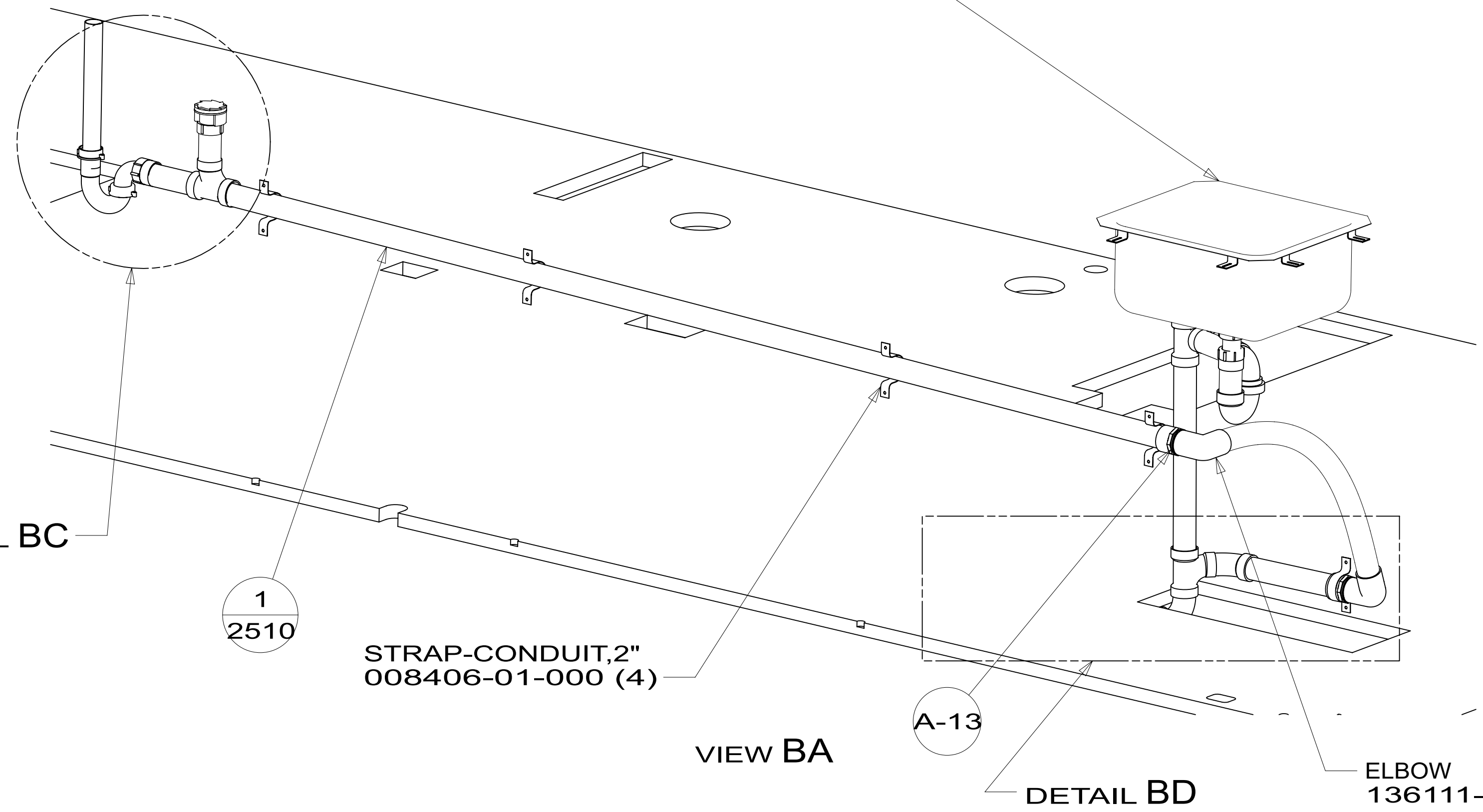
DESCRIPTION: DRAINAGE SYSTEM INSTL		
SHEET: 2 OF 5	ITEM/PART NO: 000221657 / 34255601000	REV

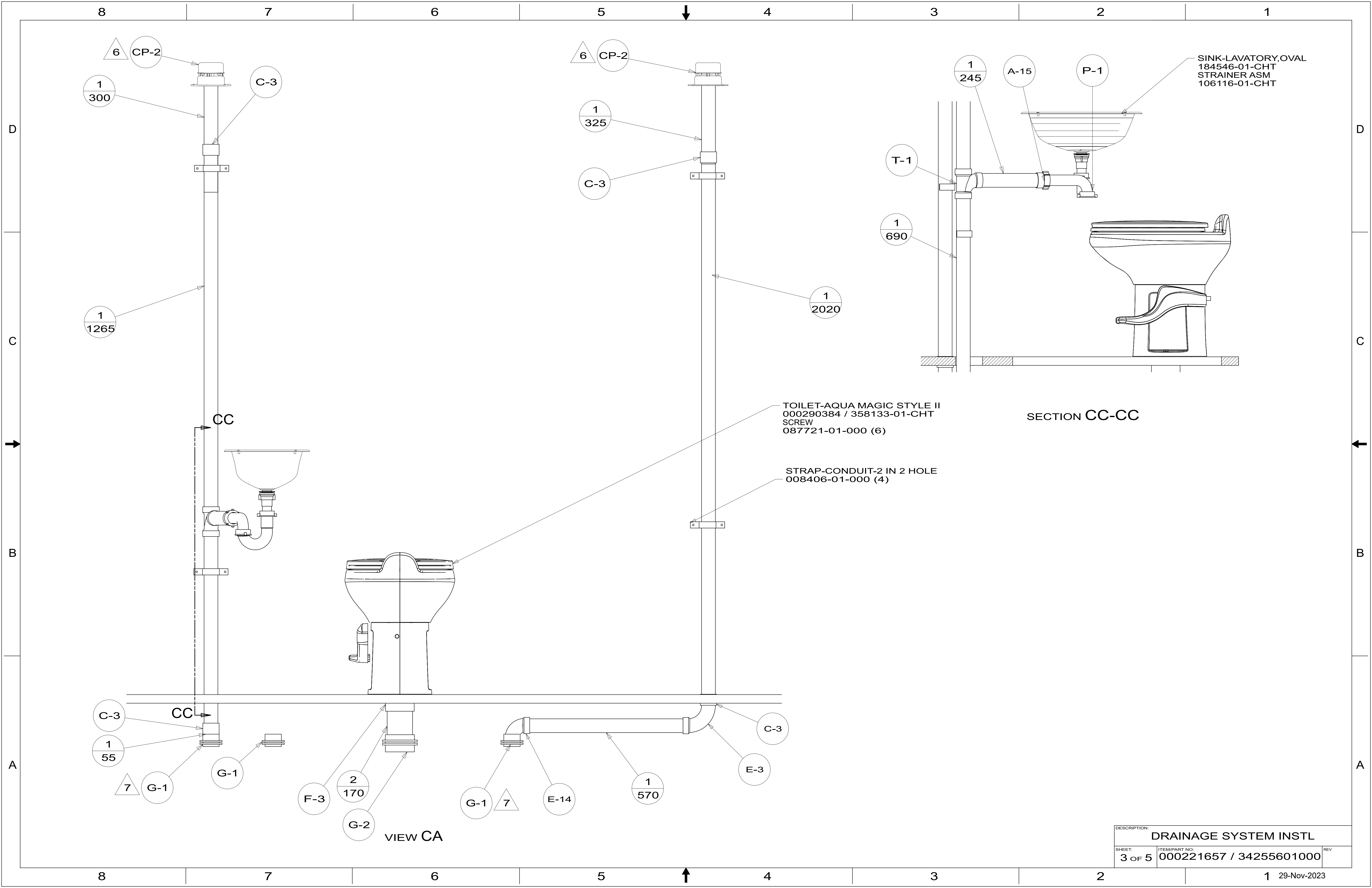
1 29-Nov-2023

8 7 6 5 4 3 2 1

D
C
B
A

D
C
B
A





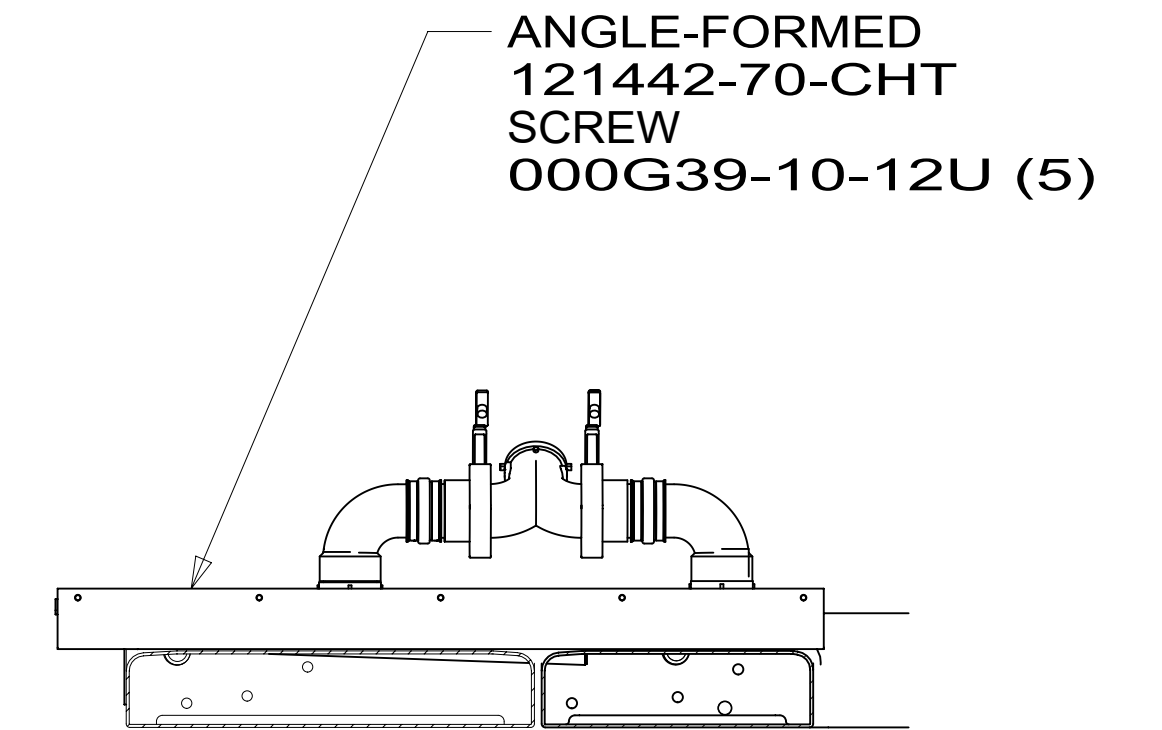
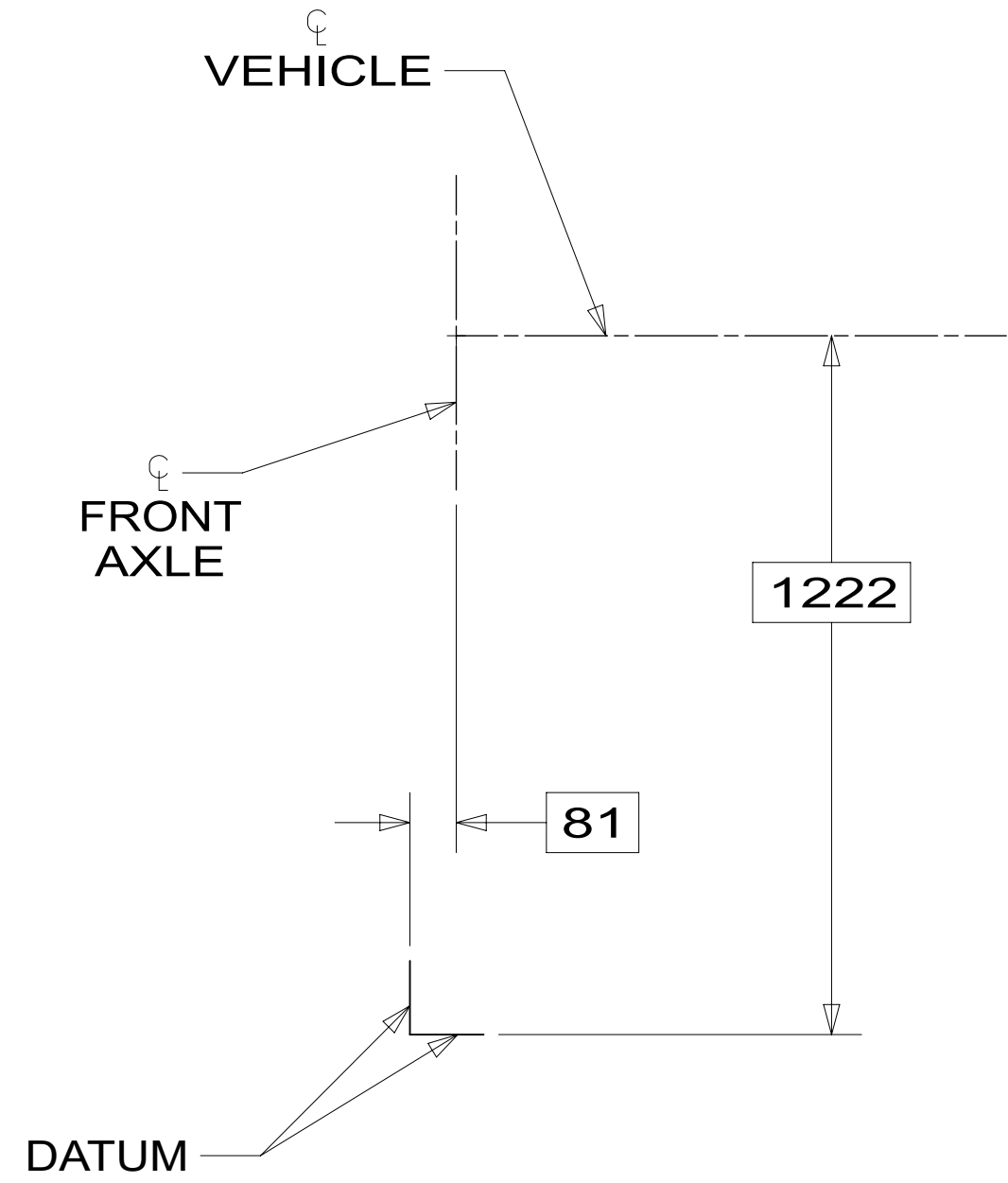
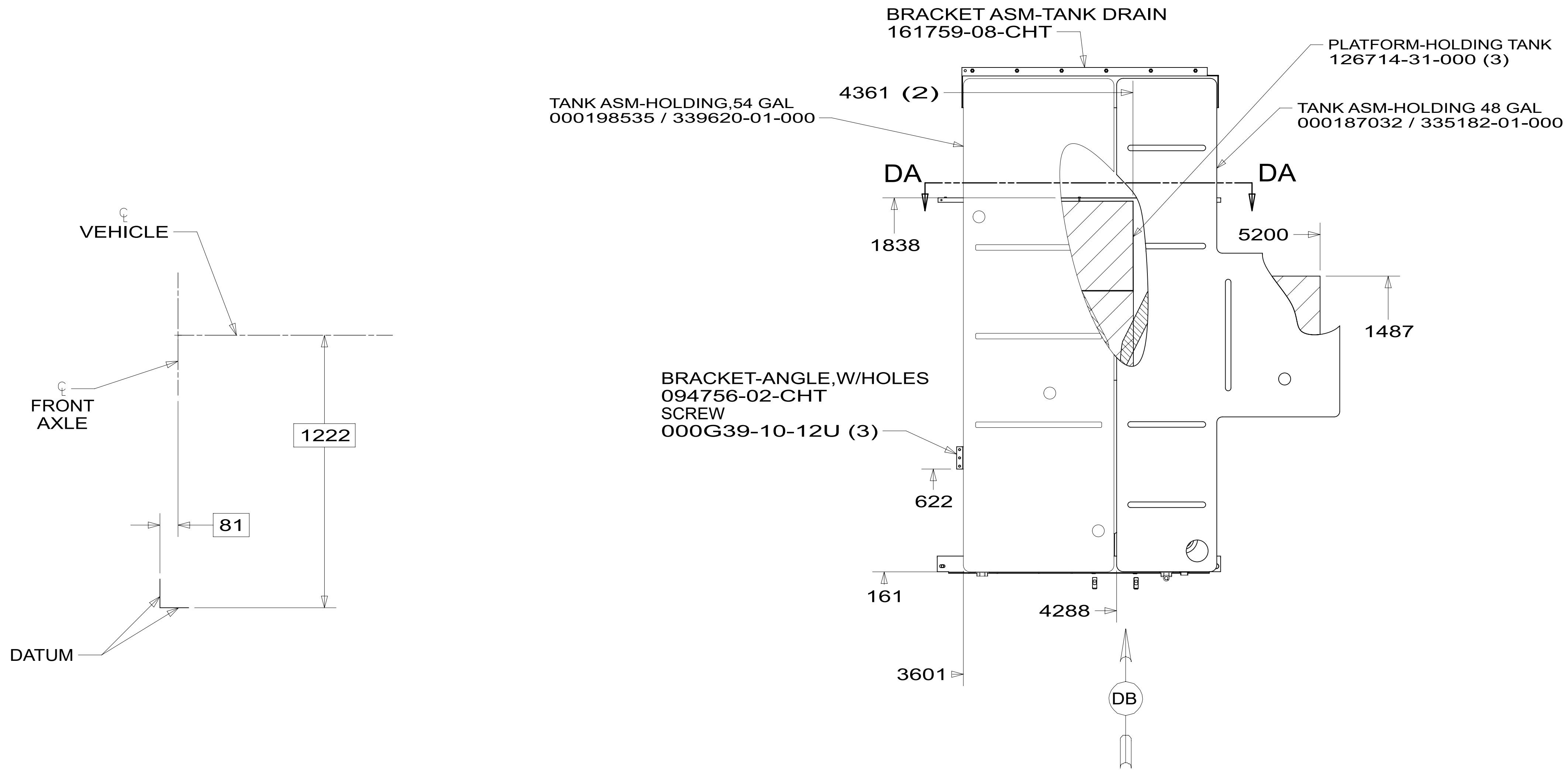
SECTION CC-CC

TOILET-AQUA MAGIC STYLE II
00290384 / 358133-01-CHT
SCREW
087721-01-000 (6)

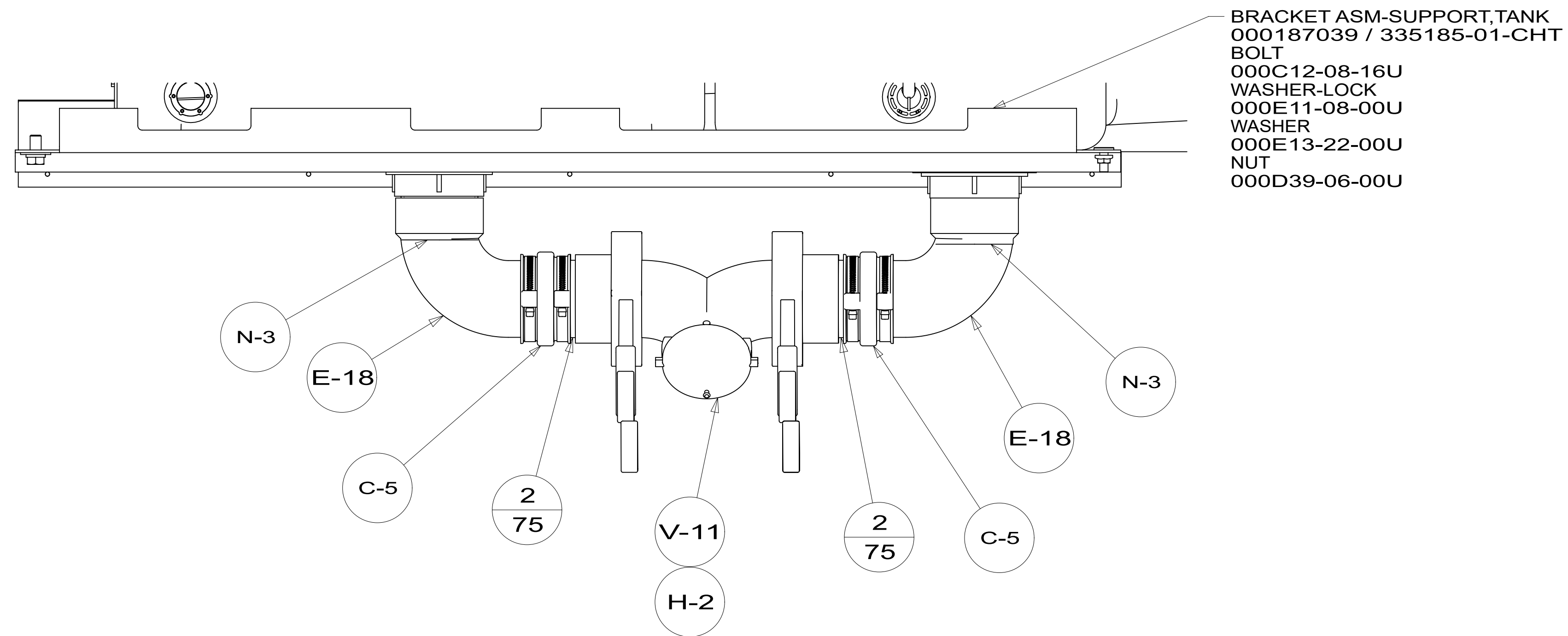
STRAP-CONDUIT-2 IN 2 HOLE
008406-01-000 (4)

VIEW CA

DESCRIPTION: DRAINAGE SYSTEM INSTL		
SHEET: 3 OF 5	ITEM/PART NO: 000221657 / 34255601000	REV
		1 29-Nov-2023



TOP VIEW SHOWING ONLY DRAINS AND TANKS



VIEW DB

DESCRIPTION:		
DRAINAGE SYSTEM INSTL		
SHEET:	ITEM/PART NO.:	REV
4 OF 5	000221657 / 34255601000	

