

8 7 6 5 4 3 2 1

D

D

C

C

B

B

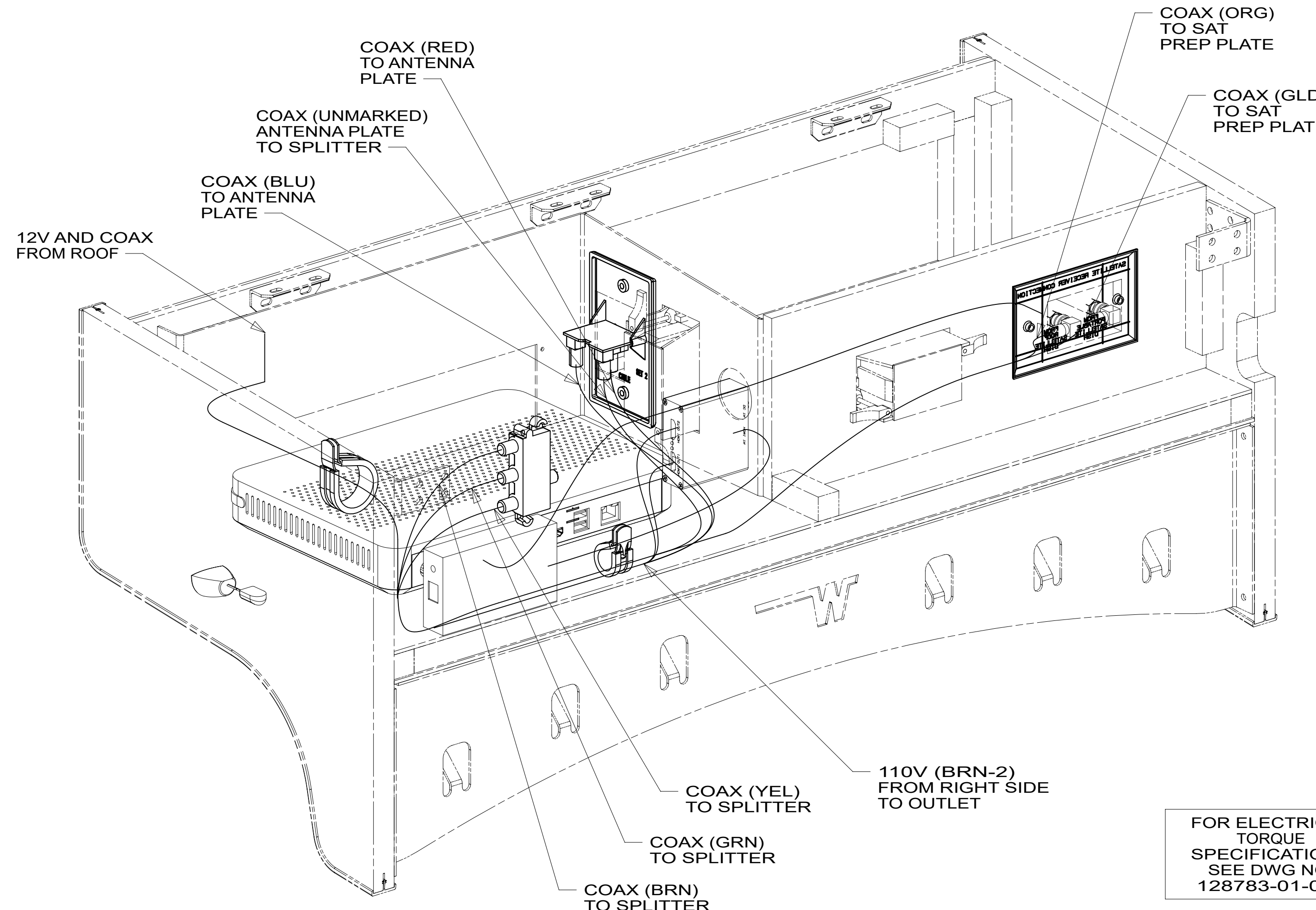
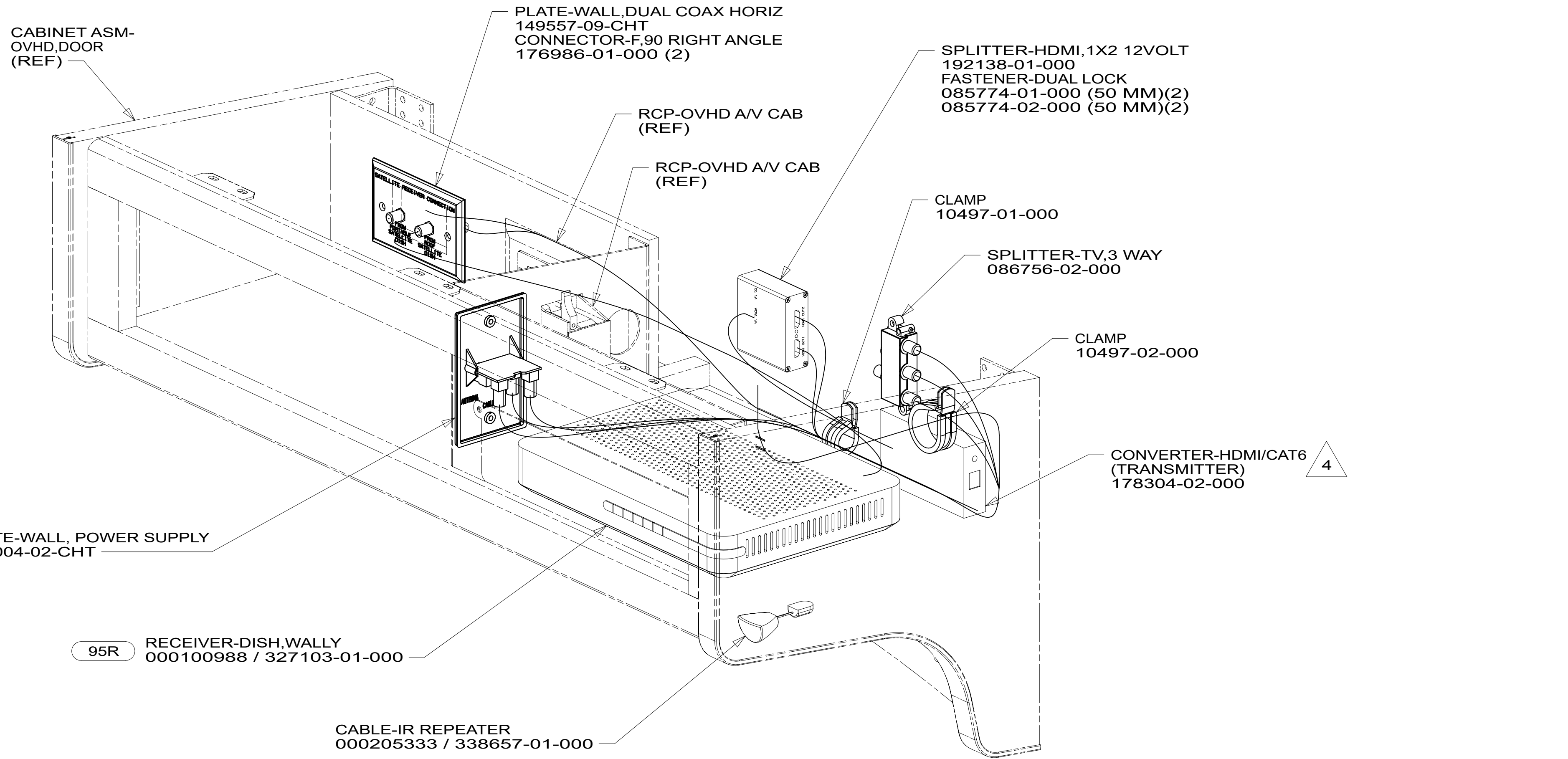
A

A



NOTES:

- 4 ATTACH TO STICK WORK USING BRACKETS AND SCREWS THAT COME WITH CONVERTER.
- 3. WHERE WIRES PASS THROUGH HOLES IN STEEL AND NOT OTHERWISE PROTECTED, USE GROMMET 92908-02-000.
- 2. ALL WIRES TO BE SECURED WITH CLAMP 10495-01-000 OR CLIP 80734-01-000 EVERY 600MM. USE SCREW G67-10-12U UNLESS OTHERWISE SPECIFIED.
- 1. 110V WIRE TO BE CLAMPED WITH CLAMP 10497-05-000 WITHIN 200MM OF OUTLET BOXES, USE SCREW G67-10-12U.



FOR ELECTRICAL TORQUE SPECIFICATIONS SEE DWG NO. 128783-01-000

FOR ELECTRICAL CALLOUTS SEE DWG 000228177 344479-01-000

- 95R SATALLITE TV ANTENNA - AUTOM
- 265 CODES/STANDARDS-CSA/CMVSS
- 1B1 CODES/STANDARDS USA

1B1 265

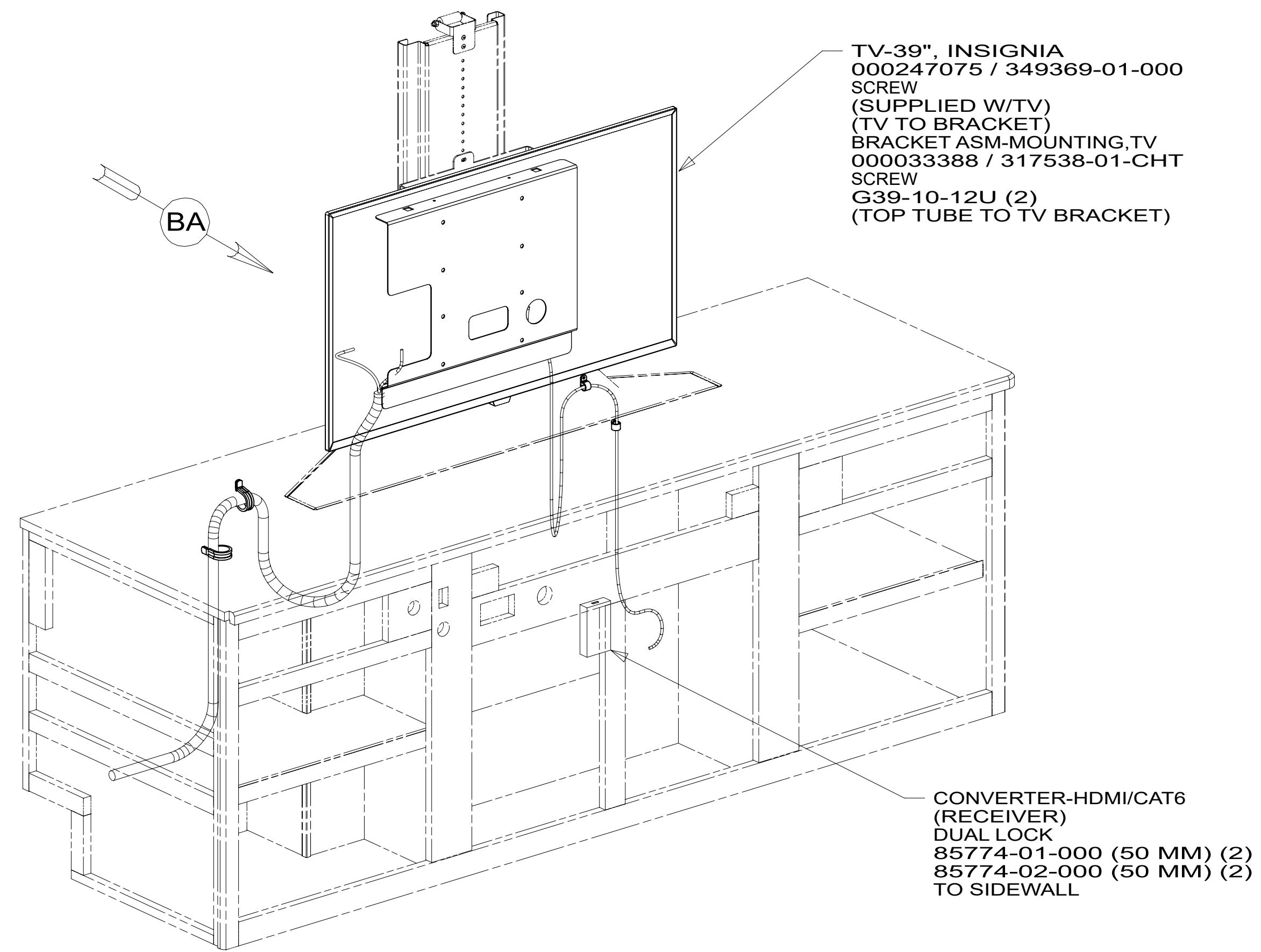
COPYRIGHT 2016 WINNEBAGO INDUSTRIES, INC.

DSNR:	ALL DIMENSIONS ARE IN MILLIMETERS	
DFFR:	MATERIAL:	
UNSPECIFIED TOLERANCES:		
WHOLE DIM (X)	: 3	
ONE-PLACE (X.X)	: 1.5	
TWO-PLACE (X.XX)	: 0.50	
ANGLE	: 1°	
REFER TO ES0018 FOR FASTENER TIGHTENING GUIDELINES	WEIGHT: (LBS)	FIRST USED: 21 F30T
DESCRIPTION: WIRING INSTL-TV/DVD		
SHEET: 1 OF 4	ITEM/PART NO: 000217328 / 34109401000	REV:

8 7 6 5 4 3 2 1

8 7 6 5 4 3 2 1

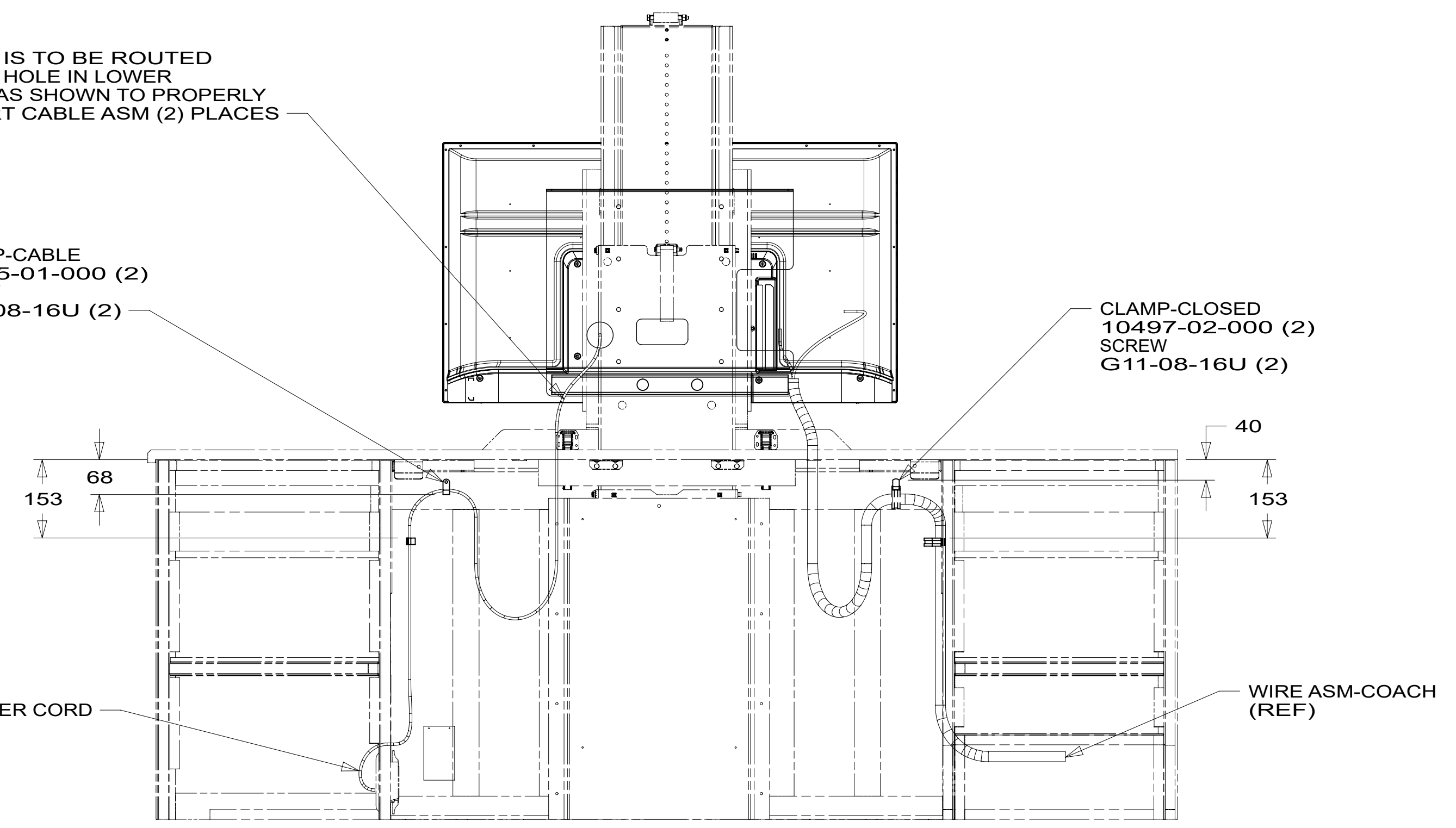
D
C
B
A



WIRE TIE IS TO BE ROUTED THROUGH HOLE IN LOWER BRACKET AS SHOWN TO PROPERLY SUPPORT CABLE ASM (2) PLACES

CLAMP-CABLE
10495-01-000 (2)
SCREW
G11-08-16U (2)

CLAMP-CLOSED
10497-02-000 (2)
SCREW
G11-08-16U (2)



VIEW BA

265 CODES/STANDARDS-CSA/CMVSS
1B1 CODES/STANDARDS USA

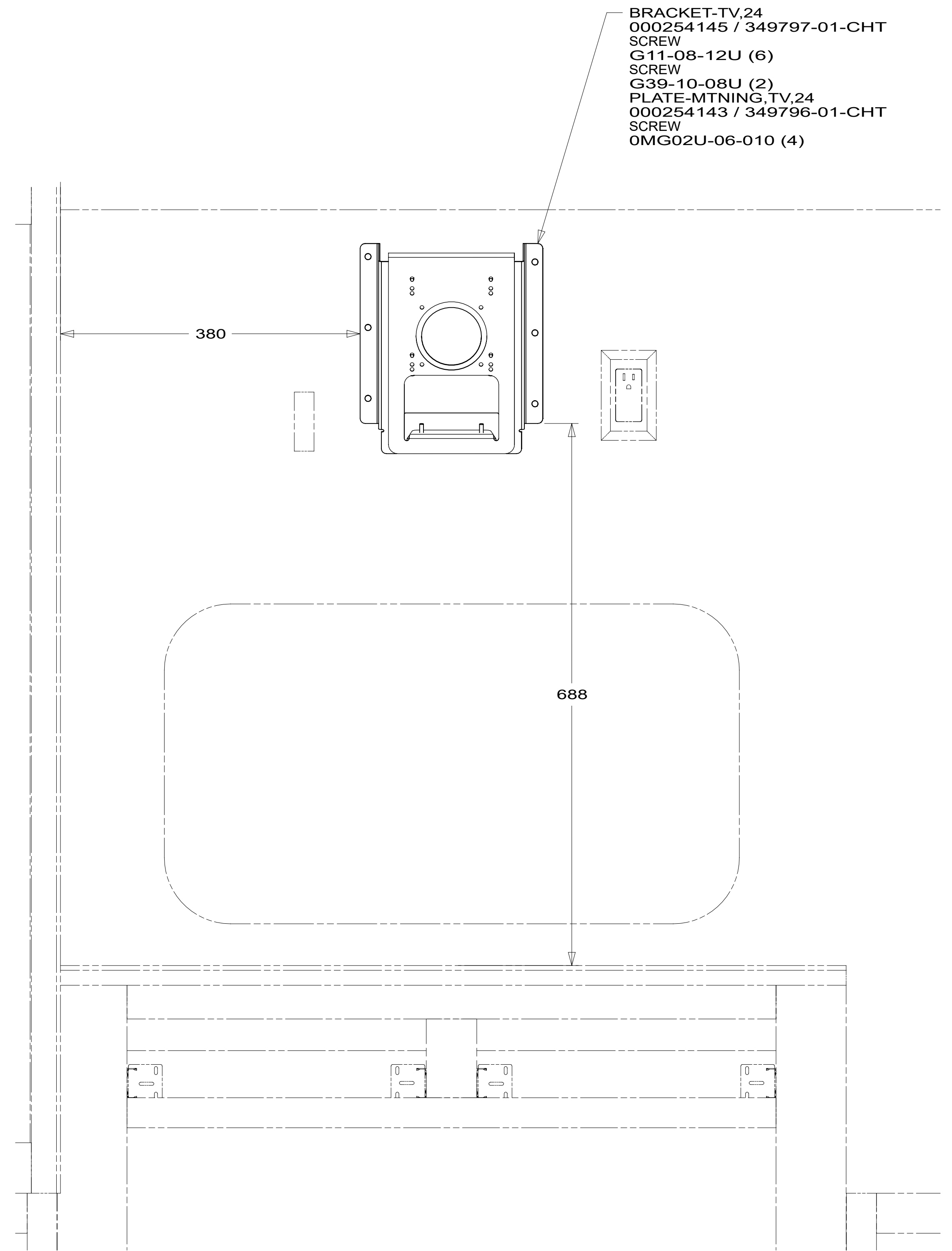
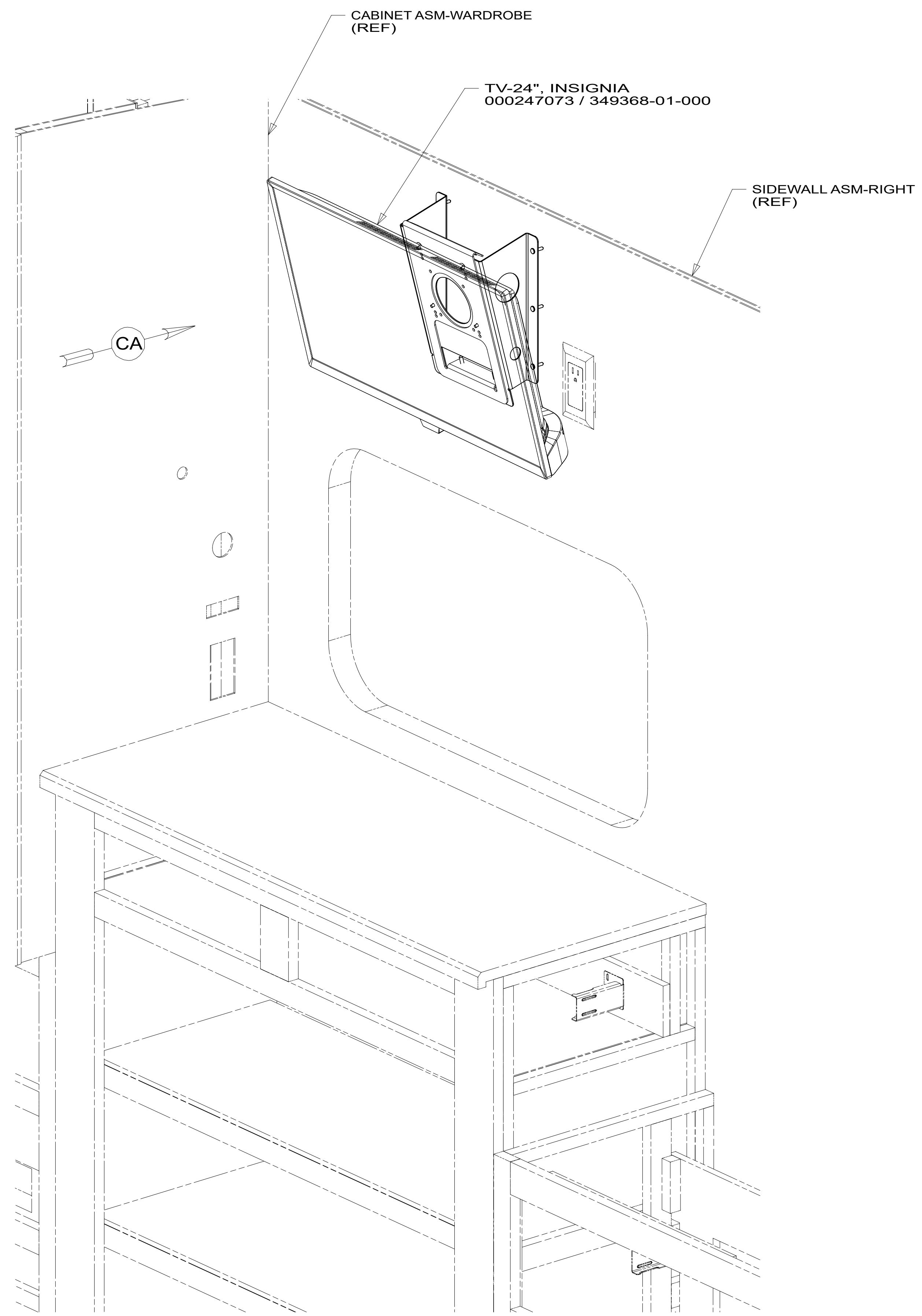
FOR ELECTRICAL TORQUE SPECIFICATIONS SEE DWG NO. 128783-01-000

FOR ELECTRICAL CALLOUTS SEE DWG 000228177 344479-01-000

DESCRIPTION:		1B1	265
WIRING INSTL-TV/DVD			
SHEET:	ITEM/PART NO.:	REV	
2 OF 4	000217328 / 34109401000		

8 7 6 5 4 3 2 1 03-Jan-2023

8 7 6 5 4 3 2 1



VIEW CA
(TV NOT SHOWN)

- 68X TV - BEDROOM
- 265 CODES/STANDARDS-CSA/CMVSS
- 1B1 CODES/STANDARDS USA

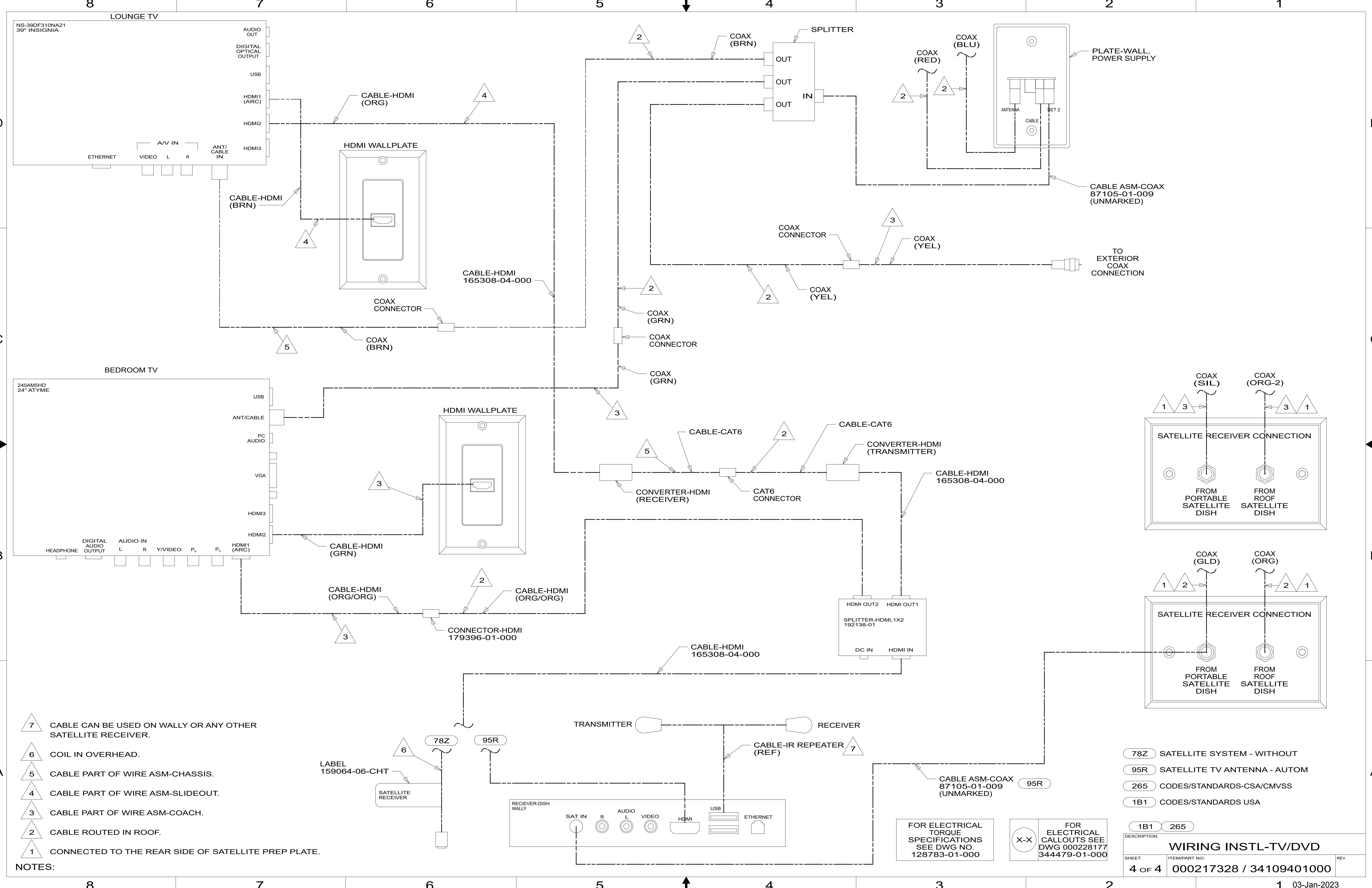
FOR ELECTRICAL TORQUE SPECIFICATIONS SEE DWG NO. 128783-01-000

FOR ELECTRICAL CALLOUTS SEE DWG 000228177 344479-01-000

DESCRIPTION:	1B1 265 68X	
WIRING INSTL-TV/DVD		
SHEET:	ITEM/PART NO.:	REV
3 OF 4	000217328 / 34109401000	

8 7 6 5 4 3 2 1 03-Jan-2023





- NOTES:
- 7 CABLE CAN BE USED ON WALLY OR ANY OTHER SATELLITE RECEIVER.
 - 6 COIL IN OVERHEAD.
 - 5 CABLE PART OF WIRE ASM-CHASSIS.
 - 4 CABLE PART OF WIRE ASM-SLIDEOUT.
 - 3 CABLE PART OF WIRE ASM-COACH.
 - 2 CABLE ROUTED IN ROOF.
 - 1 CONNECTED TO THE REAR SIDE OF SATELLITE PREP PLATE.

- 78Z SATELLITE SYSTEM - WITHOUT
- 95R SATELLITE TV ANTENNA - AUTOM
- 265 CODES/STANDARDS-CSA/CMVSS
- 1B1 CODES/STANDARDS USA

FOR ELECTRICAL TORQUE SPECIFICATIONS SEE DWG NO. 128783-01-000

FOR ELECTRICAL CALLOUTS SEE DWG 000228177 344479-01-000

DESCRIPTION:	1B1 265	
WIRING INSTL-TV/DVD		
SHEET:	ITEM/PART NO.:	REV:
4 OF 4	000217328 / 34109401000	