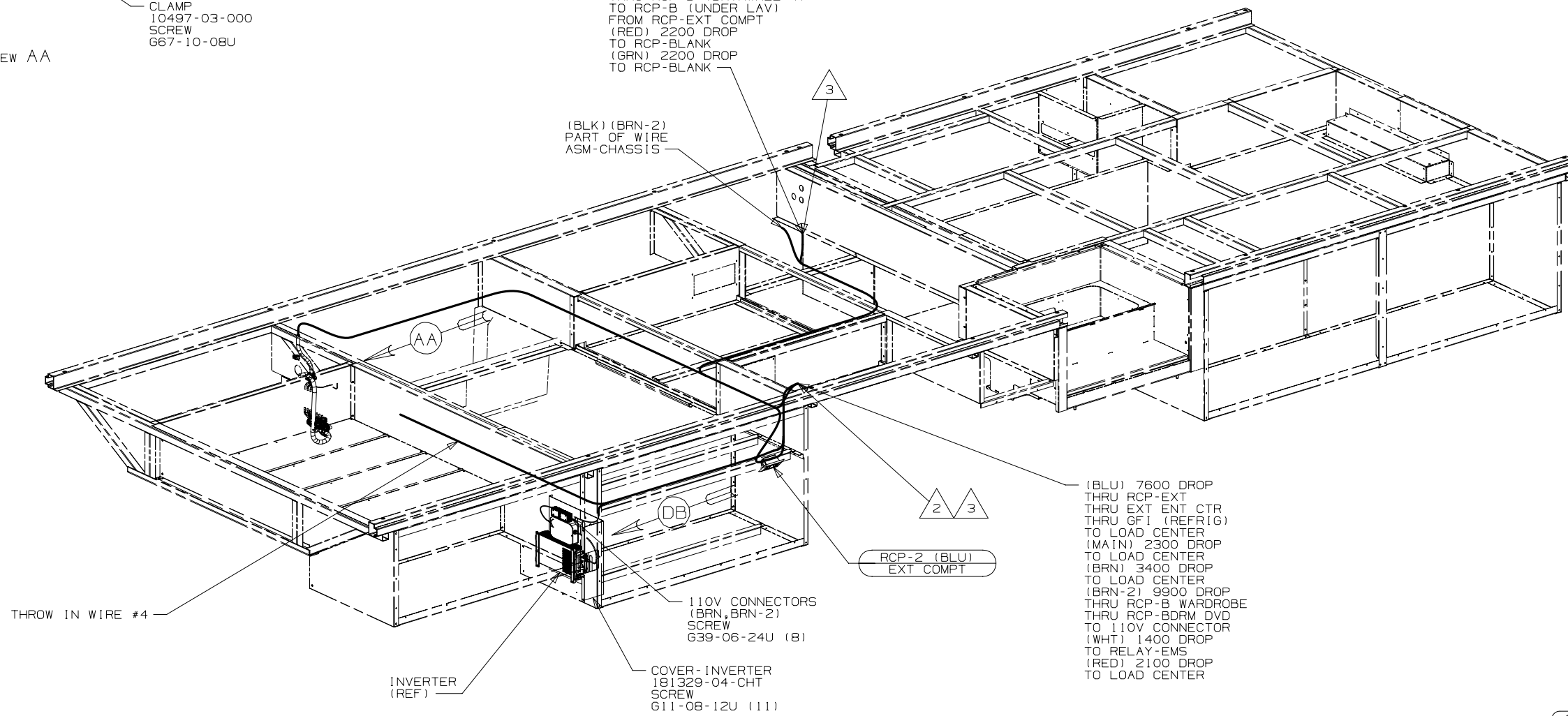


VIEW AA

(BRN-2) 2200 LOOP
THRU RCP-B BATH
TO RIGHT SIDE
(WHT) 4300 DROP
THROUGH SWITCH
TO WATER HEATER
FROM EMS
(BLU) 8500 DROP
THRU RCP-GALLEY
THRU RCP-B (BATHWALL 4)
TO RCP-B (UNDER LAV)
FROM RCP-EXT COMPT
(RED) 2200 DROP
TO RCP-BLANK
(GRN) 2200 DROP
TO RCP-BLANK

(BLK) (BRN-2)
PART OF WIRE
ASM-CHASSIS



(BLU) 7600 DROP
THRU RCP-EXT
THRU EXT ENT CTR
THRU GF1 (REFRIG)
TO LOAD CENTER
(MAIN) 2300 DROP
TO LOAD CENTER
(BRN) 3400 DROP
TO LOAD CENTER
(BRN-2) 9900 DROP
THRU RCP-B WARDROBE
THRU RCP-BDRM DVD
TO 110V CONNECTOR
(WHT) 1400 DROP
TO RELAY-EMS
(RED) 2100 DROP
TO LOAD CENTER

- 265 CODES/STANDARDS-CSA/CMVSS
- 1B1 CODES/STANDARDS USA
- 1B1 265

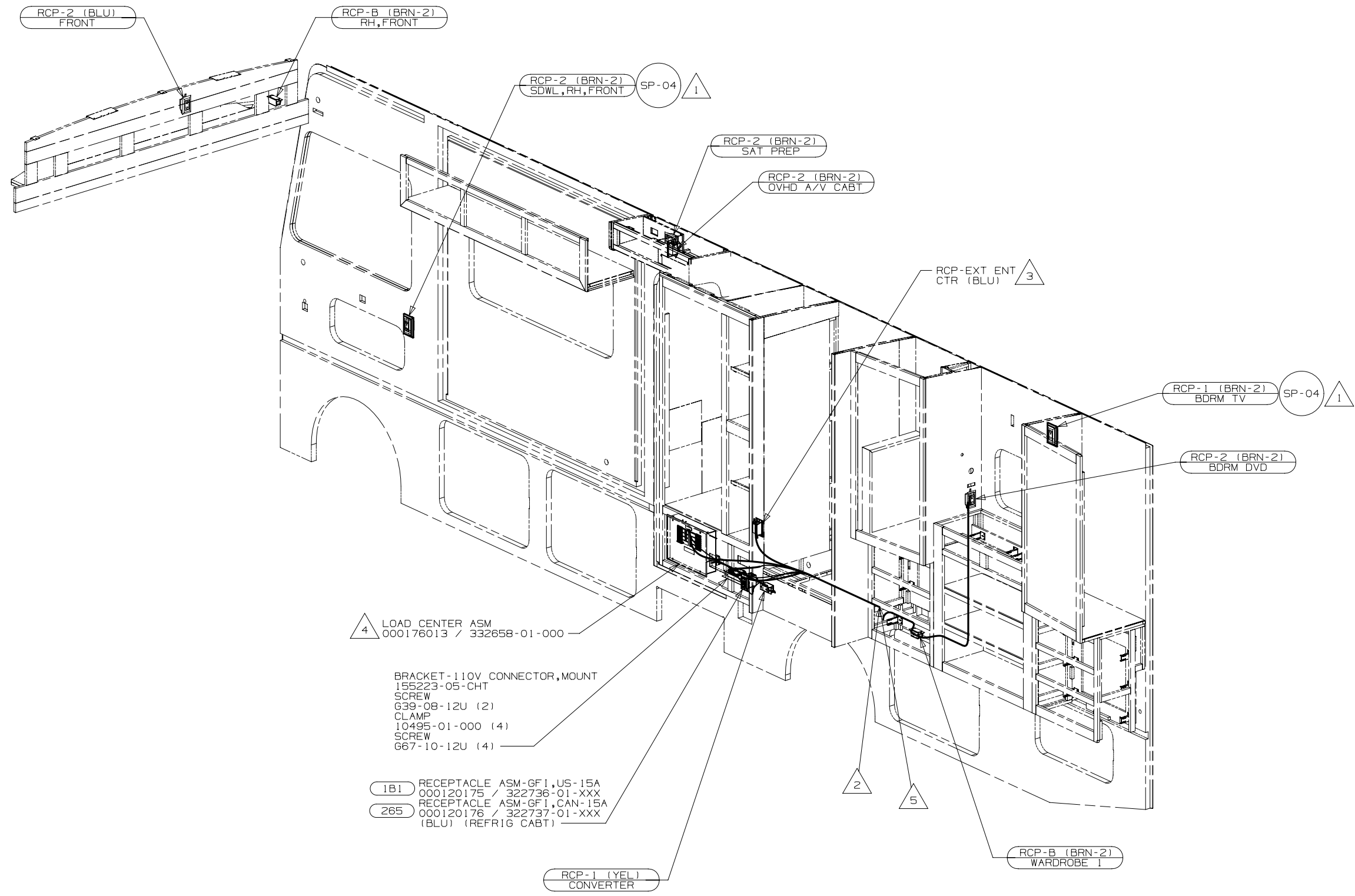


DSNR:		ALL DIMENSIONS ARE IN MILLIMETERS	
DFT:		MATERIAL:	
UNSPECIFIED TOLERANCES:			
WHOLE DIM (X)	± 3		
ONE-PLACE (X, X1)	± 1,5		
TWO-PLACE (X, XX)	± 0,50		
ANGLE	± 1°		
REFER TO ES0018 FOR FASTENER TIGHTENING GUIDELINES		WEIGHT (LBS)	FIRST USED
			21 F30T
DESCRIPTION:			
WIRING INSTL-BODY, 110V			
SHEET:	ITEM/PART NO:	REV:	
1 of 6	000217322 / 34109301000		

4. AT MINIMUM ALL WIRES TO BE SUPPORTED AND SECURED PER CODE REQUIREMENTS. USE CLAMP 10495 OR 10497 OR WIRE TIE 8343 OR 108046 AND SCREW G67-XX-XXX OR G56-XX-XXX AS APPROPRIATE FOR INSTALLATION.
- 3 WIRE ROUTED THROUGH FLOOR IN THIS AREA.
- 2 ROUTE GROUND WIRE FROM LOAD CENTER AND MODULE-ALS THROUGH FLOOR IN THIS AREA AND CONNECT TO GROUND STUD OF FRAME ASM.
1. WIRES ROUTED UNDER FLOOR.

FOR ELECTRICAL TORQUE SPECIFICATIONS SEE DWG NO. 128783-01-000

FOR ELECTRICAL CALLOUTS SEE DWG 000228177 344479-01-000



6. AT MINIMUM ALL WIRES TO BE SUPPORTED AND SECURED PER CODE REQUIREMENTS. USE CLAMP 10495 OR 10497 OR WIRE TIE 8343 OR 108046 AND SCREW G67-XX-XXX OR G56-XX-XXX AS APPROPRIATE FOR INSTALLATION.

- 5 WIRES ROUTED THROUGH FLOOR IN THIS AREA.
- 4 LOAD CENTER GROUND WIRES MUST BE ATTACHED DIRECTLY TO CHASSIS GROUND.
- 3 SEE ENTERTAINMENT CENTER COMPL FOR ADDITIONAL INFORMATION.
- 2 ROUTE GROUND WIRE (8 GA GRN) FROM LOAD CENTER THROUGH FLOOR TO GROUND BOLT ON CHASSIS FRAME RAIL.
- 1 WIRE ROUTED IN SIDEWALL.

NOTES:

4 LOAD CENTER ASM
000176013 / 332658-01-000

BRACKET-110V CONNECTOR, MOUNT
155223-05-CHT
SCREW
G39-08-12U (2)
CLAMP
10495-01-000 (4)
SCREW
G67-10-12U (4)

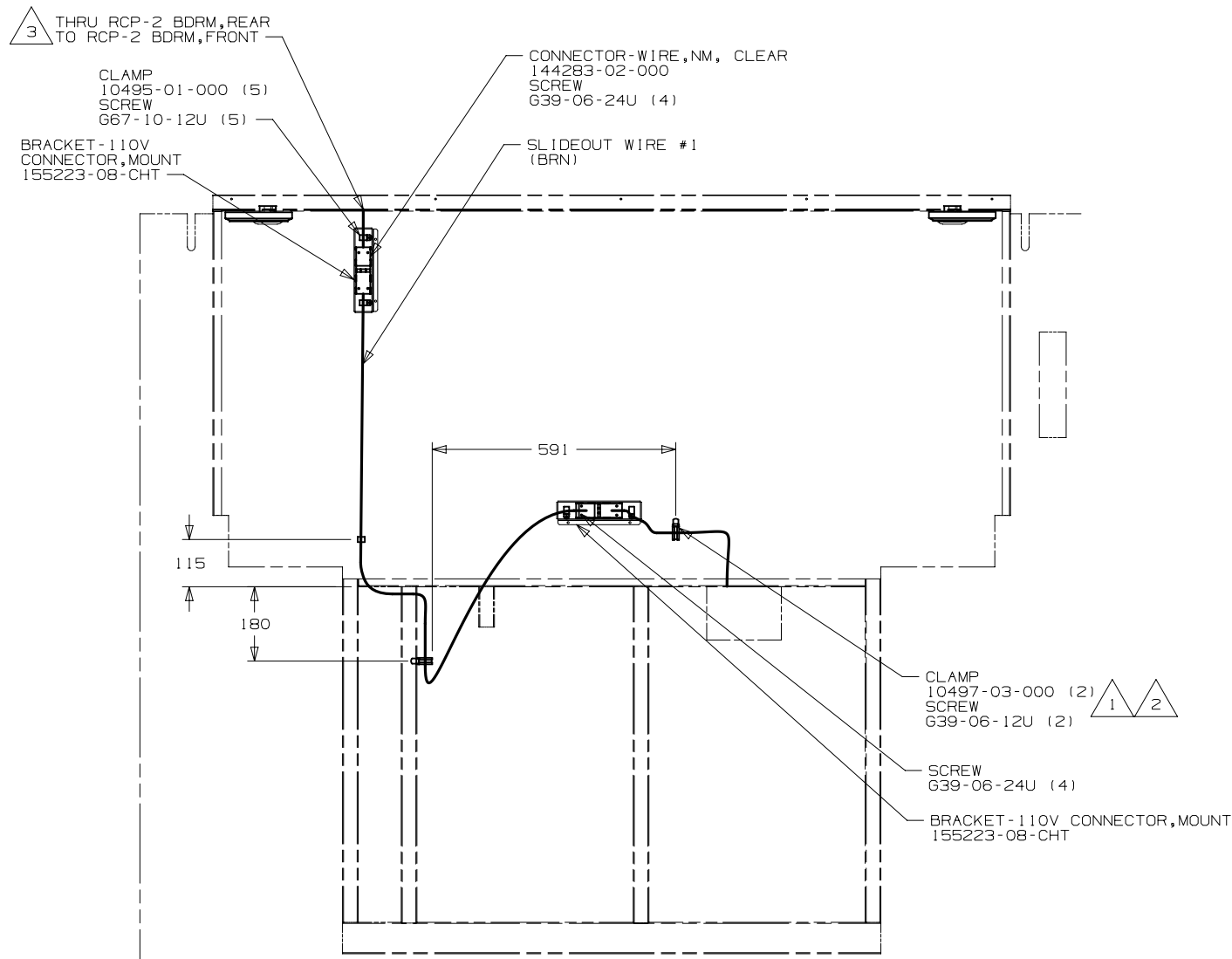
1B1 RECEPTACLE ASM-GF1, US-15A
000120175 / 322736-01-XXX
265 RECEPTACLE ASM-GF1, CAN-15A
000120176 / 322737-01-XXX
(BLU) (REFRIG CABT)

FOR ELECTRICAL TORQUE SPECIFICATIONS SEE DWG NO. 128783-01-000

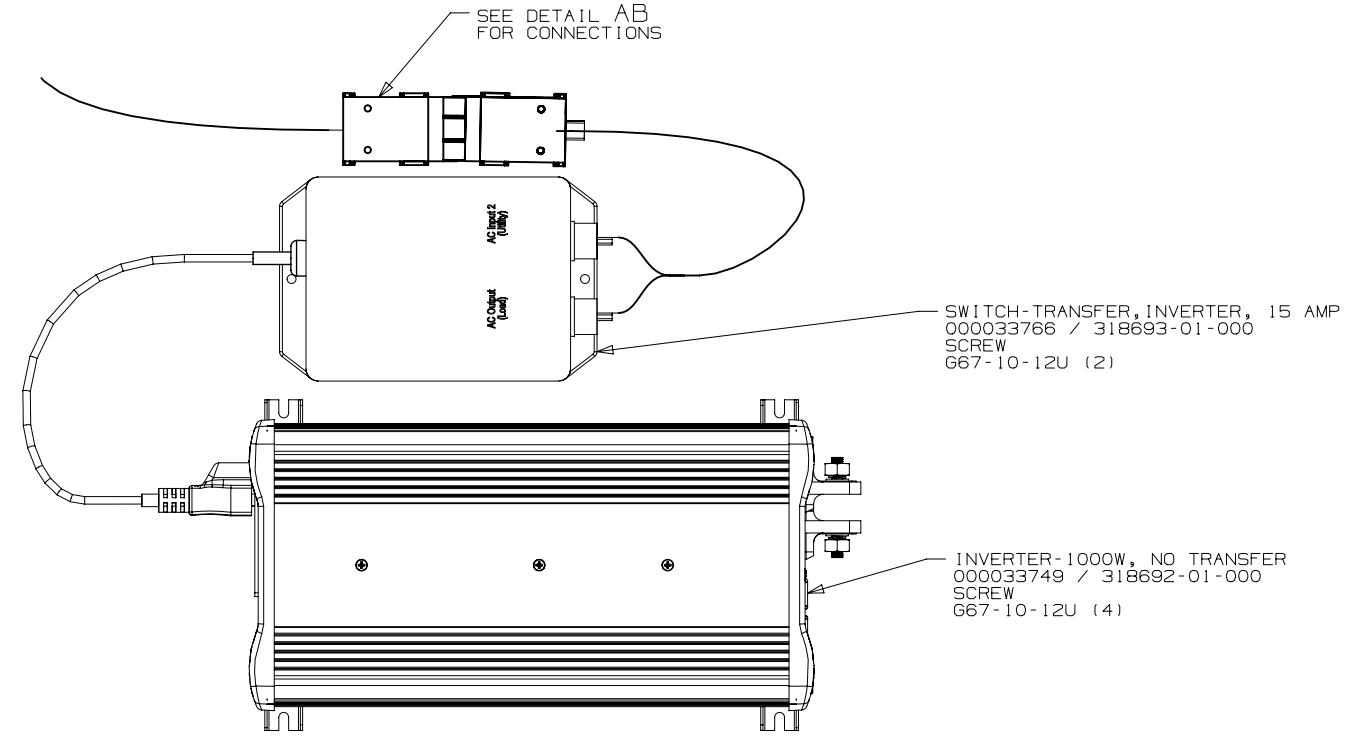
FOR ELECTRICAL CALLOUTS SEE DWG 000228177 344479-01-000

265 CODES/STANDARDS-CSA/CMVSS
1B1 CODES/STANDARDS USA

DESCRIPTION	
1B1 265	
WIRING INSTL-BODY, 110V	
SHEET#	ITEM/PART NO#
3 OF 6	000217322 / 34109301000
REV	



DETAIL DA



VIEW DB

- NOTES:
- 3 WIRE ROUTED IN SIDEWALL.
 - 2 RUN 12V WIRE ALONG WITH SLIDEOUT WIRE #2.
 - 1 WIRE MUST BE ROUTED THROUGH CLAMPS AS SHOWN.

265 CODES/STANDARDS-CSA/CMVSS
 1B1 CODES/STANDARDS USA

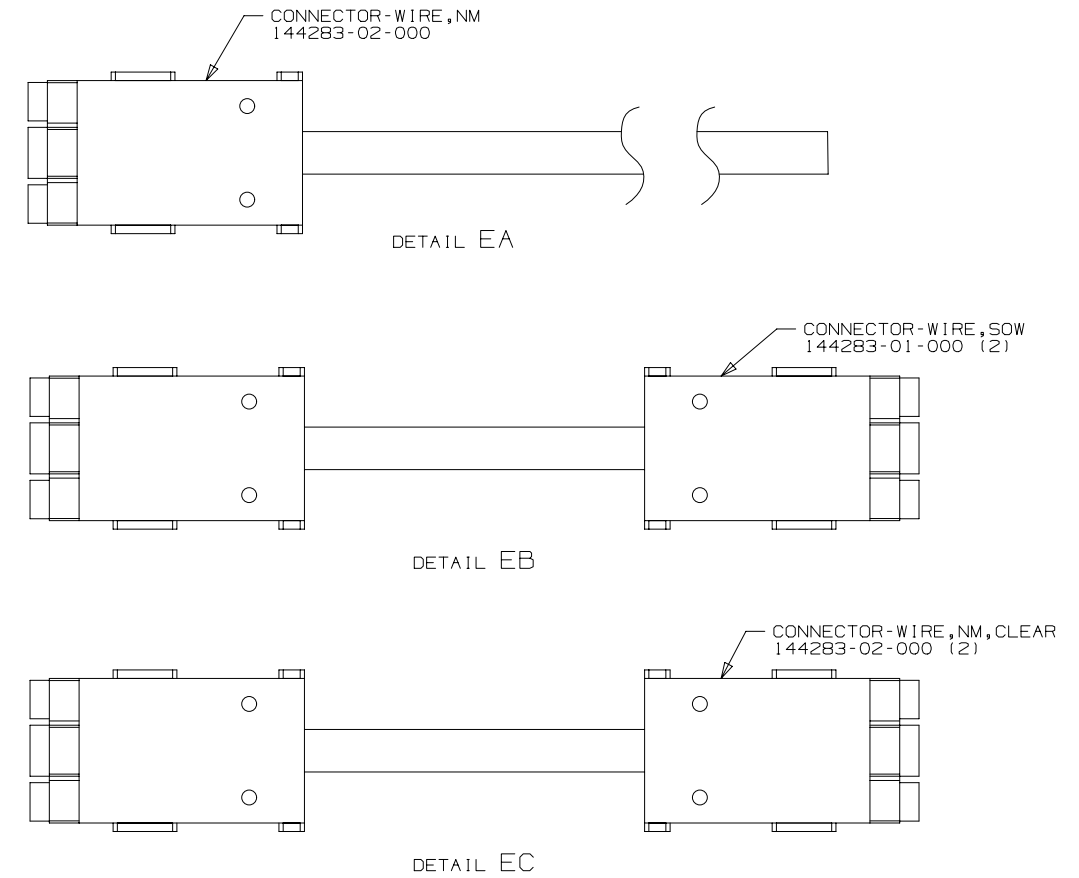
FOR ELECTRICAL TORQUE SPECIFICATIONS SEE DWG NO. 128783-01-000

FOR ELECTRICAL CALLOUTS SEE DWG 000228177 344479-01-000

DESCRIPTION: 1B1 265 WIRING INSTL-BODY, 110V		
SHEET: 4 OF 6	ITEM/PART NO: 000217322 / 34109301000	REV:

RED	1B1	136135-07-078	
	265	136136-07-078	
YEL	1B1	136131-05-014	
	265	136134-05-014	
BRN	1B1	136131-03-044	△2
	265	136134-03-044	△2
BLU	1B1	136131-02-170	
	265	136134-02-170	
MAIN	1B1	136139-01-064	△5
	265	136140-01-064	△5
GRN	1B1	136135-08-078	
	265	136136-08-078	
BLK	1B1	136135-06-014	
	265	136136-06-014	
WHT	1B1	136131-09-096	
	265	136134-09-096	
THROW IN WIRE #1	1B1	136131-19-021	
	265	136134-19-021	
THROW IN WIRE #2	1B1	136131-19-184	△4
	265	136134-19-184	△4

THROW IN WIRE #3	1B1	136131-19-028	△2
	265	136134-19-028	△2
THROW IN WIRE #4	1B1	136131-19-040	△2
	265	136134-19-040	△2
SLIDEOUT WIRE #1		136151-03-031	△3
GROUND ATS		136145-01-042	
GROUND MAIN		136145-01-015	



△5 ATTACH ONE END OF MAIN TO LOAD CENTER. COVER OTHER END OF MAIN CABLE ASM WITH 1000 MM OF CONDUIT 091234-02-000. SECURE WITH TAPE 8363-01-000.

△4 SEE DETAIL EC FOR CONNECTOR INSTALLATION.

△3 SEE DETAIL EB FOR CONNECTOR INSTALLATION.

△2 SEE DETAIL EA FOR CONNECTOR INSTALLATION.

1. ALL GROUND WIRES TO BE COVERED WITH TUBING 8041-02-000.

NOTES:

FOR ELECTRICAL TORQUE SPECIFICATIONS SEE DWG NO. 128783-01-000

FOR ELECTRICAL CALLOUTS SEE DWG 000228177 344479-01-000

265 CODES/STANDARDS-CSA/CMVSS

1B1 CODES/STANDARDS USA

1B1 265

DESCRIPTION: WIRING INSTL-BODY, 110V

SHEET: 5 of 6 ITEM/PART NO: 000217322 / 34109301000 REV

