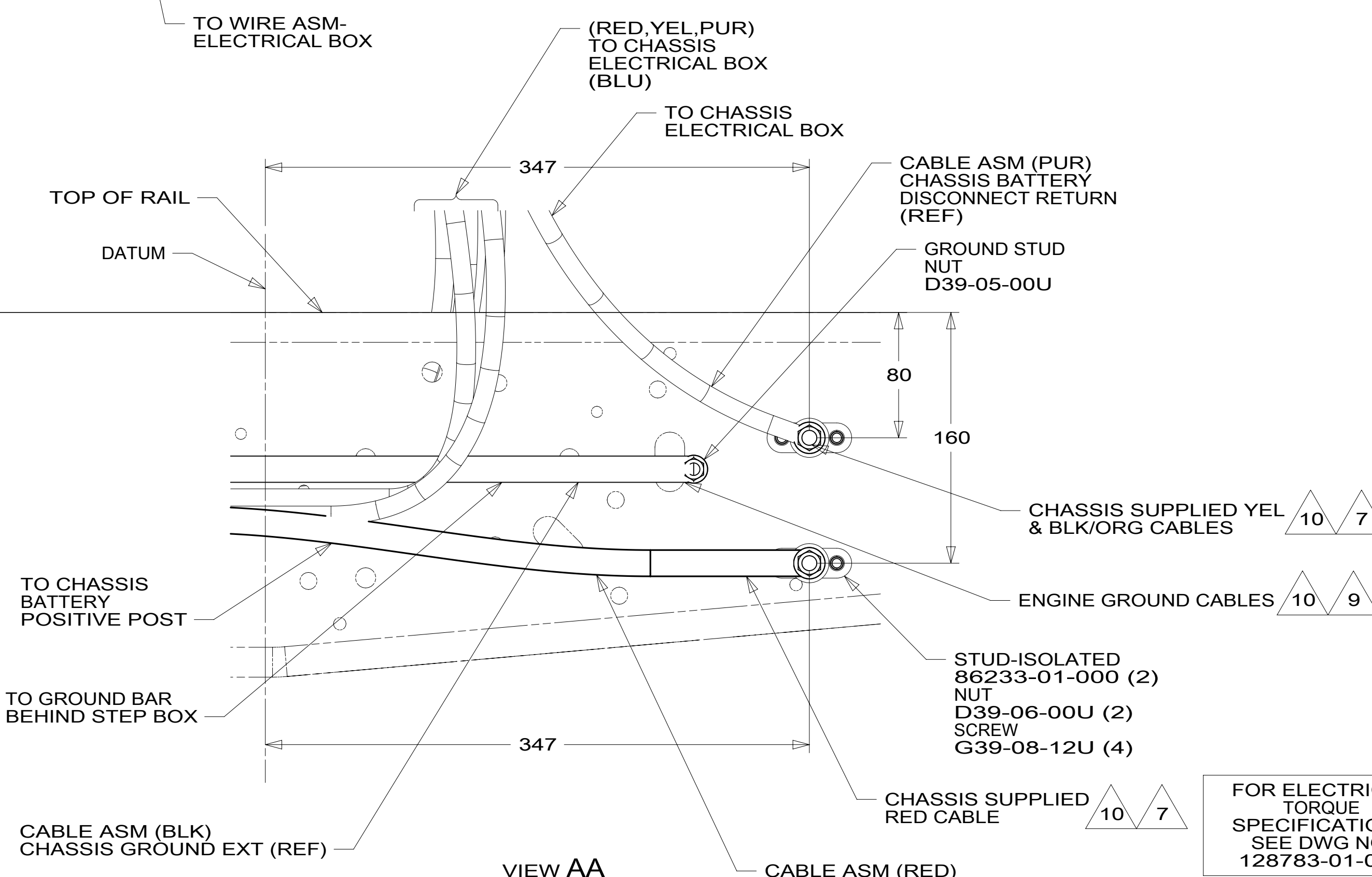


- NOTES:**
- 1. WIRE TIE 8343-04-000. FASTEN EVERY 600 MM MINIMUM.
 - 2. SECURE CONDUIT 41953, TAB AS REQUIRED. OVER ALL WIRES IN CONTACT WITH SHARP EDGES.
 - 3. ALL DIMENSIONS ARE FROM DATUM UNLESS OTHERWISE SPECIFIED.
 - 4. SEE BATTERY INSTALLATION FOR ADDITIONAL INFORMATION.
 - 5. CLAMP 83610-01-000, SCREW G11-10-16U.
 - 6. SEE WIRING INSTL-FRONT END FOR ADDITIONAL INFORMATION.
 - 7. CUT CHASSIS SUPPLIED POSITIVE BATTERY CABLE 150 MM FROM BATTERY TERMINAL END,DISCARD TERMINAL END AND SEPARATE WIRES. ADD TERMINAL 8348-01-000 AND HEAT SHRINK 176567-04-000 TO RED CABLE (CHASSIS STARTER) AND COMBINE YELLOW (CHASSIS POWER DISTRIBUTION) AND BLACK/ORANGE (CHASSIS ALTERNATOR) WIRES TOGETHER AND ADD TERMINAL 8348-01-000 AND HEAT SHRINK 176567-02-000. COIL EXCESS CABLE ALONG FRAME RAIL JUST BEHIND RADIATOR AND TIE UP WITH TIE-WIRE 8343-04-000.
 - 8. COVER SHARP EDGES WHERE WIRE CROSSES FRAME RAILS.
 - 9. CUT CHASSIS SUPPLIED BATTERY CABLE 700 MM FROM BATTERY TERMINAL AND ADD TERMINAL 8348-01-000 TO CUT END.
 - 10. SUPPLIED WITH CHASSIS



FOR ELECTRICAL TORQUE SPECIFICATIONS SEE DWG NO. 128783-01-000

FOR ELECTRICAL CALLOUTS SEE DWG NO. 121339-01-000

265 CODES/STANDARDS-CSA/CMVSS

1B1 CODES/STANDARDS USA

1B1 265

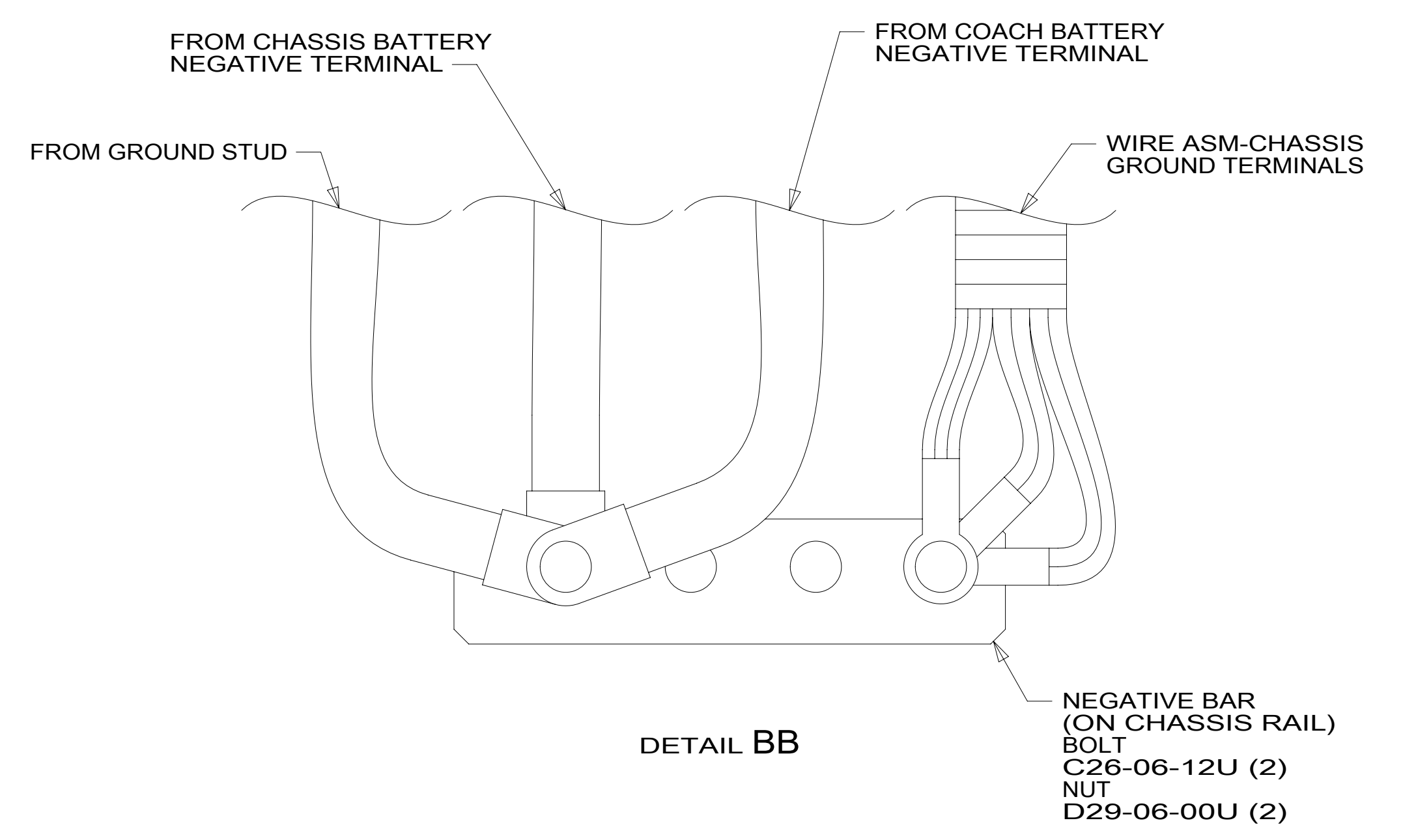
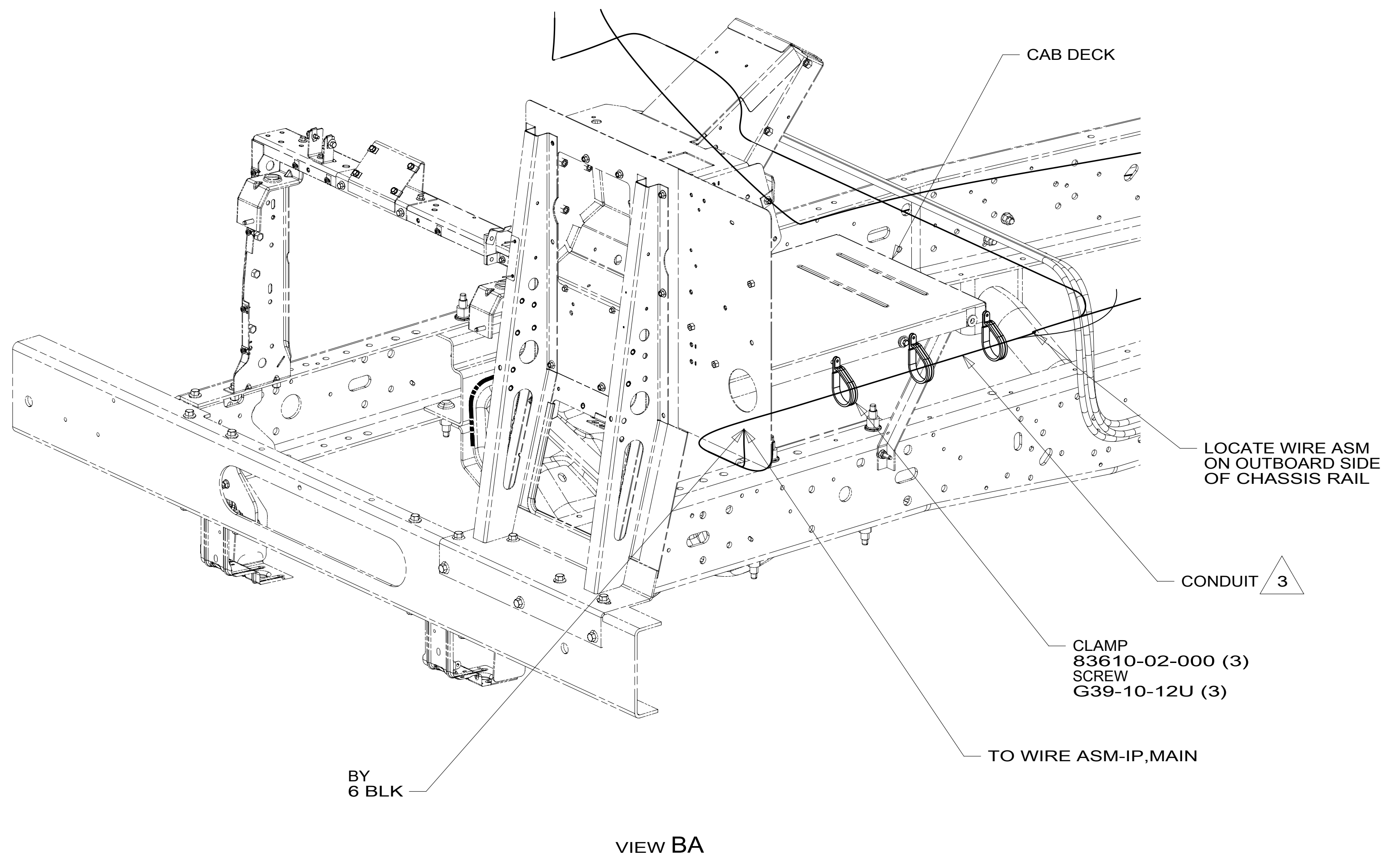
WINNEBAGO
COPYRIGHT 2016 WINNEBAGO INDUSTRIES, INC.

DSNR:	ALL DIMENSIONS ARE IN MILLIMETERS
DIFTR:	
UNSPECIFIED TOLERANCES:	MATERIAL:
WHOLE DIM (X) : 3	
ONE-PLACE (X.X) : 1.5	
TWO-PLACE (X.XX) : 0.50	
ANGLE : 1°	
REFER TO ES0018 FOR FASTENER TIGHTENING GUIDELINES	WEIGHT: (LBS) FIRST USED:
	21 F30T
DESCRIPTION: WIRING INSTL-CHASSIS	
SHEET: 1 OF 2	ITEM/PART NO: 000217317 / 34109101000
REF:	REV:

1 28-Jan-2021

8 7 6 5 4 3 2 1

D
C
B
A



³ COVER WITH CONDUIT 41953-10-000 AND 41953-11-000 AS REQUIRED.

- NOTES:
1. CUT OFF EXCESS END OF WIRE TIE.
 2. CONNECT CABLES TO COACH SIDE OF BATTERY DISCONNECT WHEN BATTERY DISCONNECT IS USED.

FOR ELECTRICAL TORQUE SPECIFICATIONS SEE DWG NO. 128783-01-000

FOR ELECTRICAL CALLOUTS SEE DWG NO. 121339-01-000

265 CODES/STANDARDS-CSA/CMVSS
1B1 CODES/STANDARDS USA

DESCRIPTION:		1B1 265
WIRING INSTL-CHASSIS		
SHEET:	ITEM/PART NO.:	REV
2 OF 2	000217317 / 34109101000	

8 7 6 5 4 3 2 1 28-Jan-2021