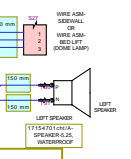
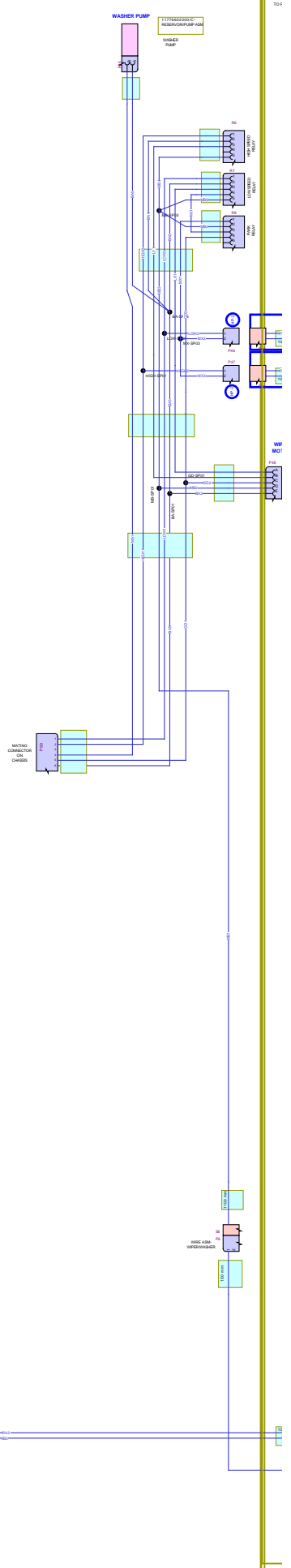
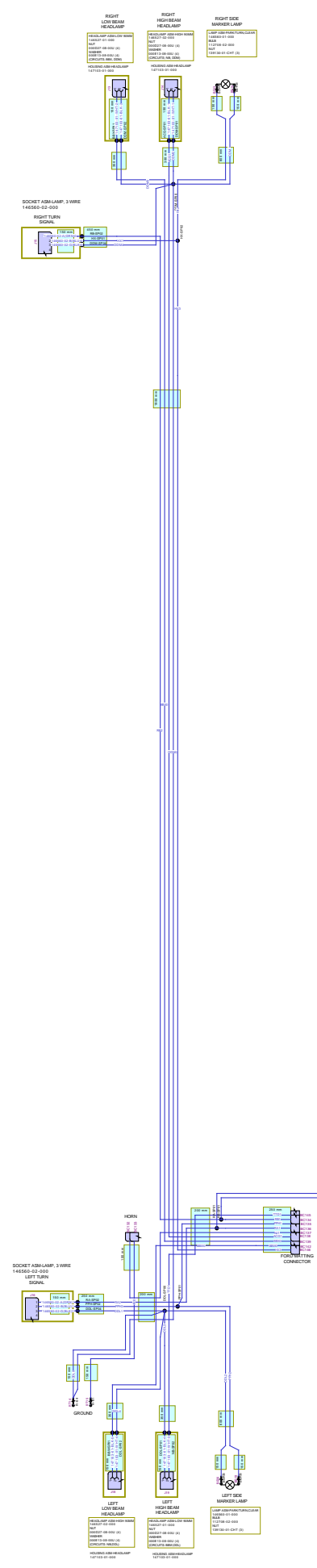


WIRE ASM-IP MAIN:000200969  
CAP:000200969/33711801000

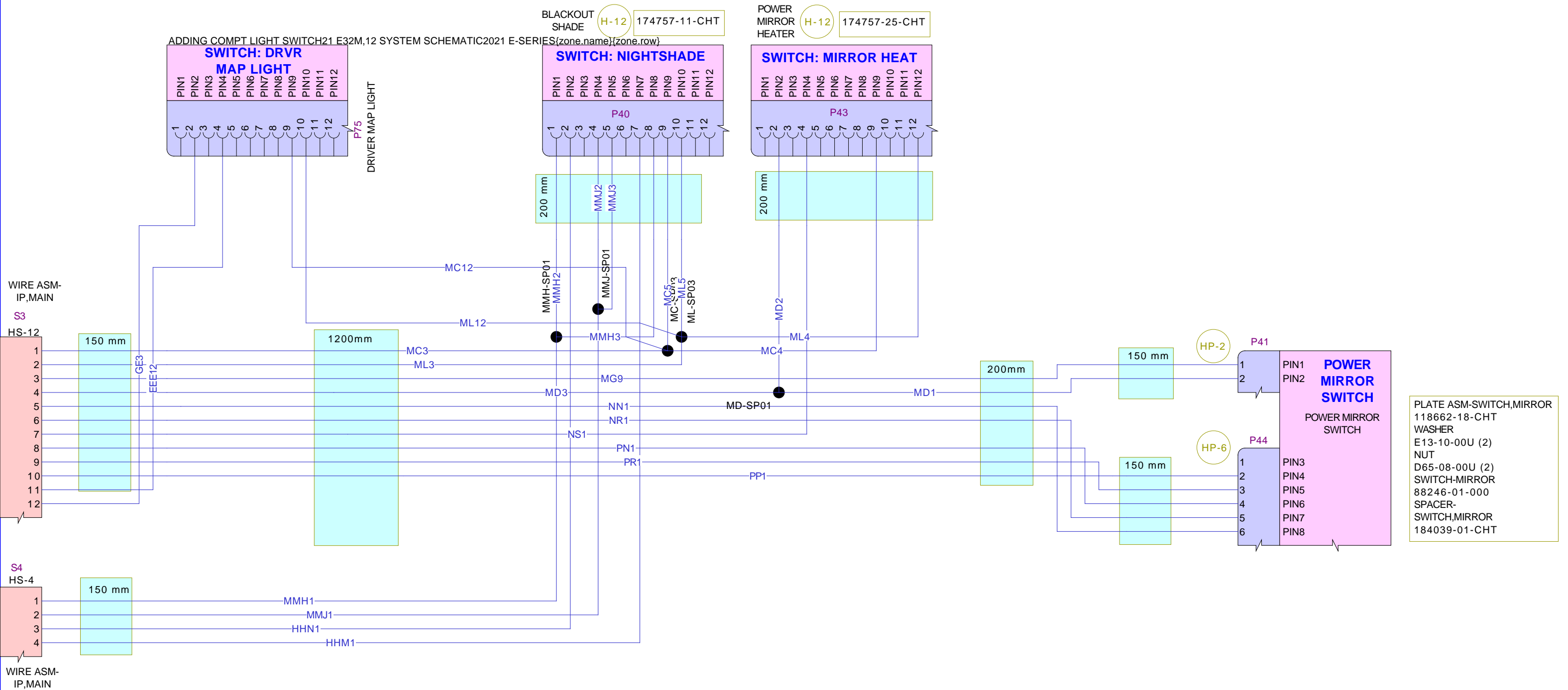




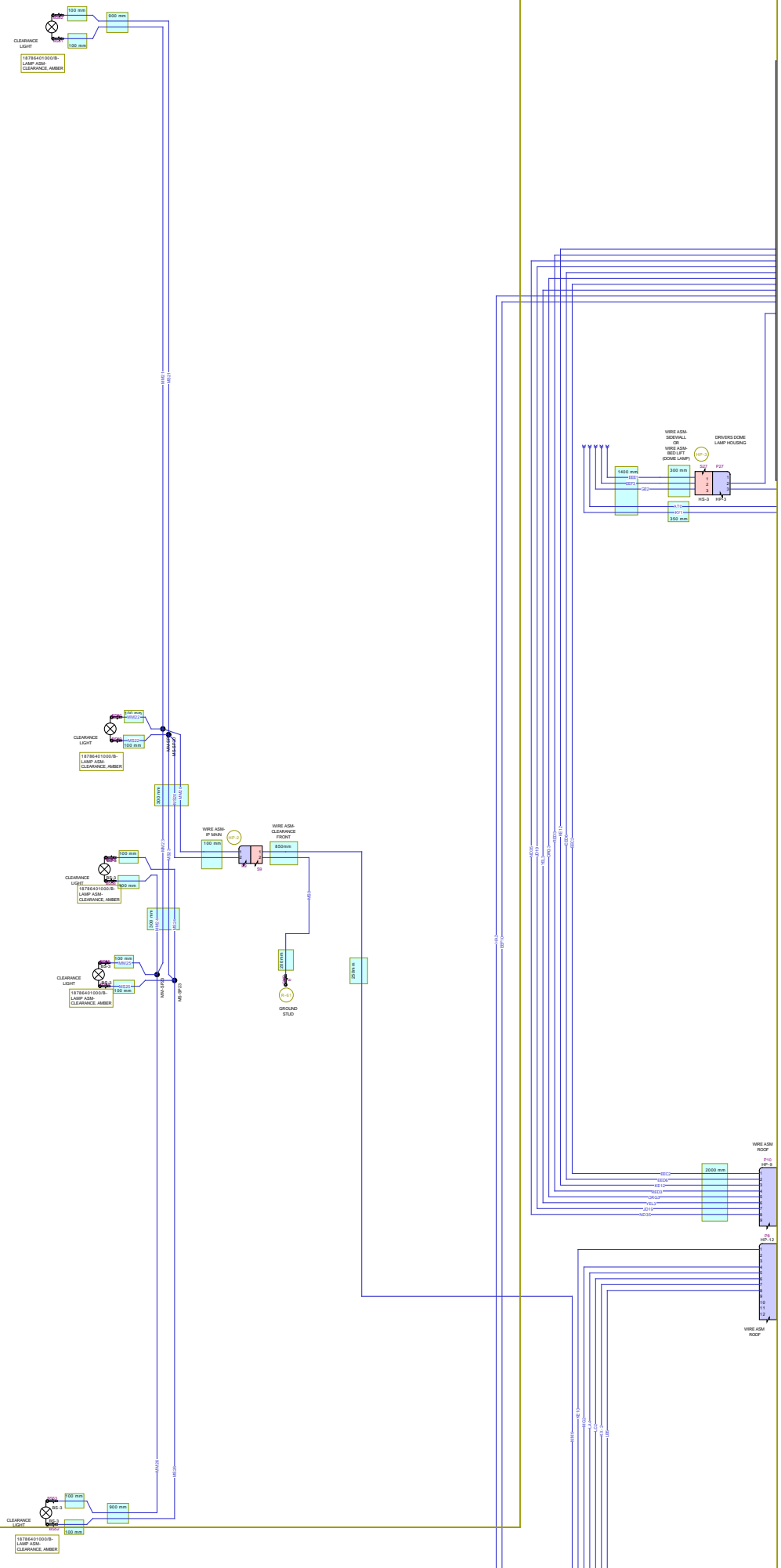


# WIRE ASM-CONSOLE DRIVER:000211103

CAP: 000211103/34006801000



WIRE ASM-CLEARANCE LAMPS FRNT:000181173  
000181173/33373901000



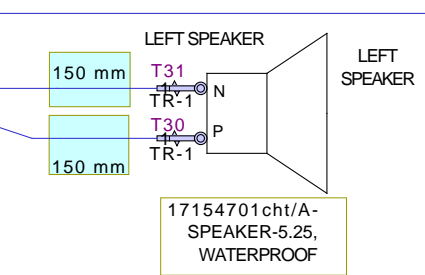
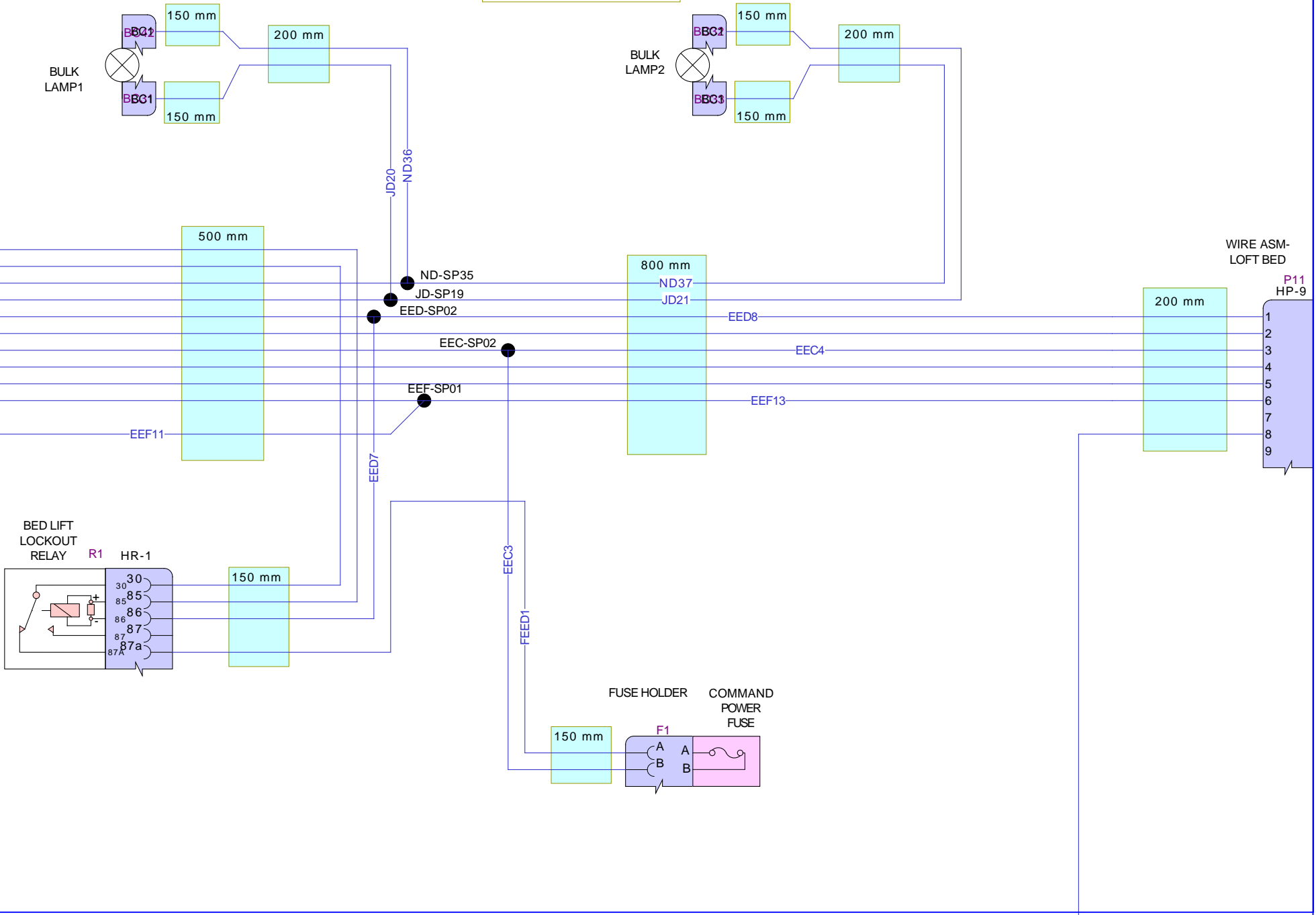


# WIRE ASM-BED LIFT:000202612

## 000202612/33768201000

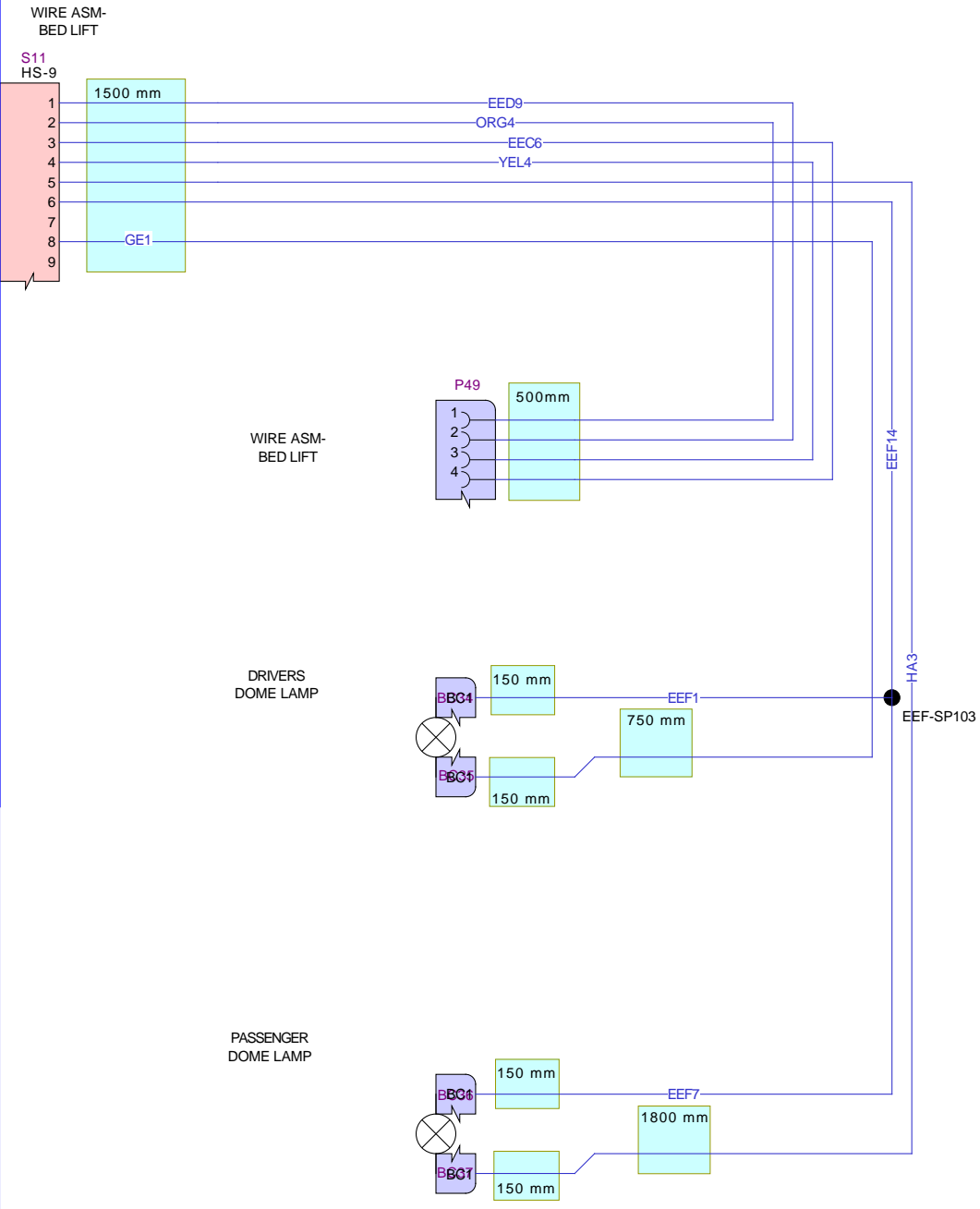
LIGHT-LED,ROUND W/  
SWITCH,3.5 PLASTIC  
000166892 / 329927-01-CHT  
SCREW  
G13-05-10U (3)  
CONNECTOR  
58028-01-000 (2)

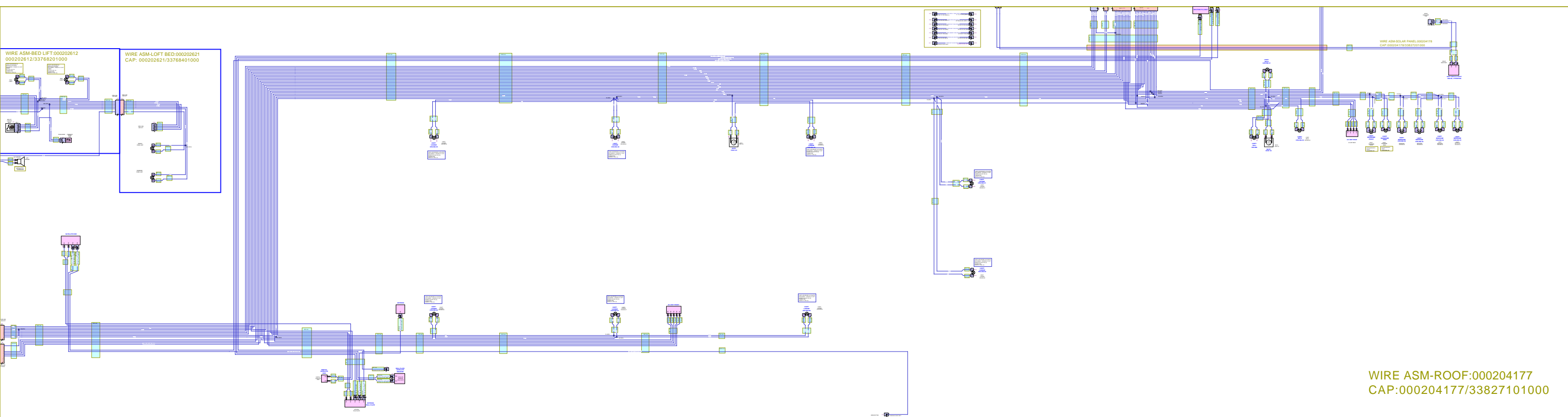
LIGHT-LED,ROUND W/  
SWITCH,3.5 PLASTIC  
000166892 / 329927-01-CHT  
SCREW  
G13-05-10U (3)  
CONNECTOR  
58028-01-000 (2)



# WIRE ASM-LOFT BED:000202621

CAP: 000202621/33768401000





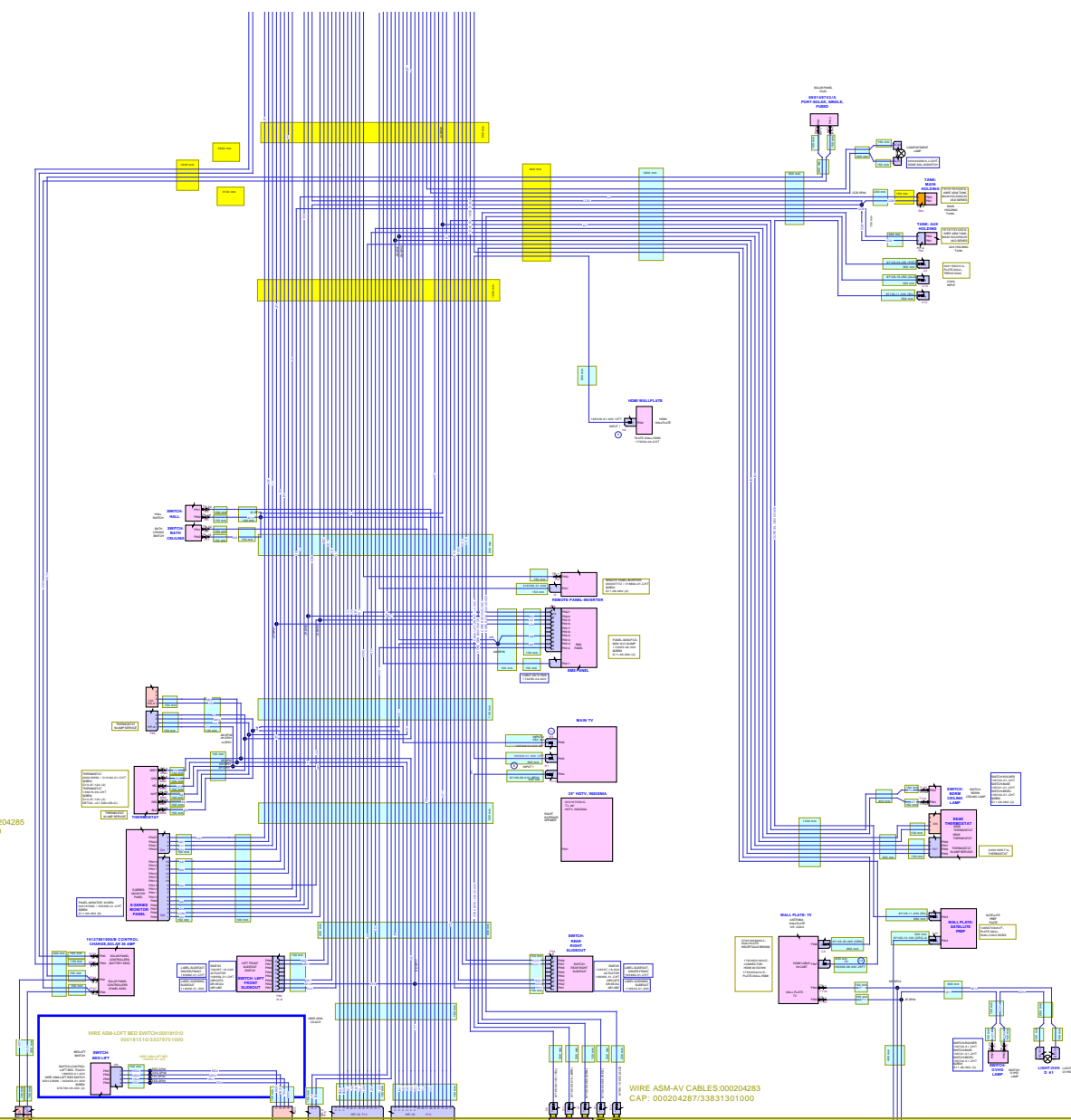
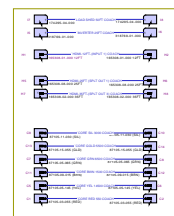
WIRE ASM-ROOF:000204177  
CAP:000204177/33827101000

DX:000202566  
1000

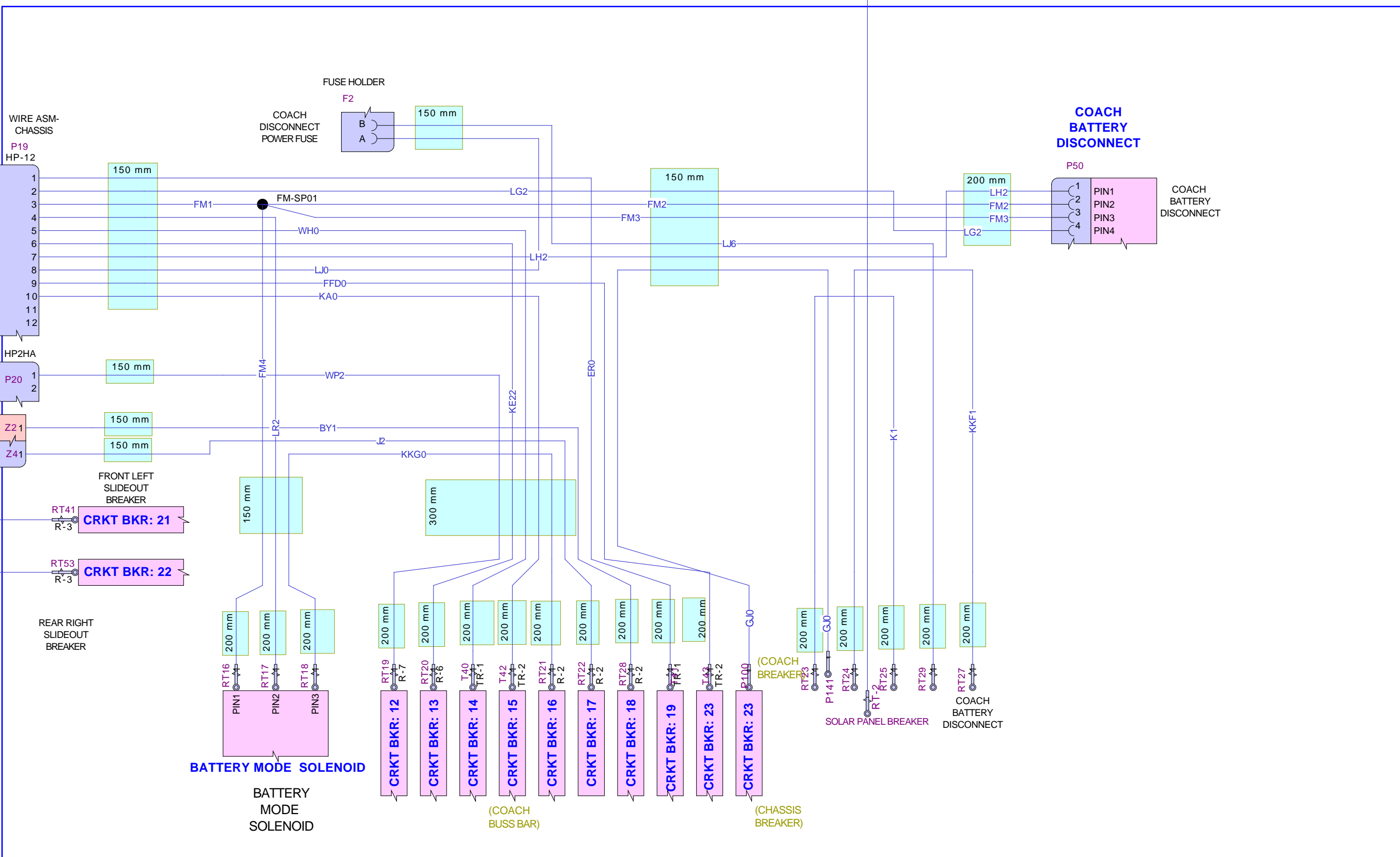
WIRE ASM-SIDEWALL:000187279  
000187279 / 33523101000

WIRE ASM-OVHD:000204286  
CAP:000204286/33831201000

WIRE ASM-SOLAR COACH:000204285  
CAP:000204285/33831101000



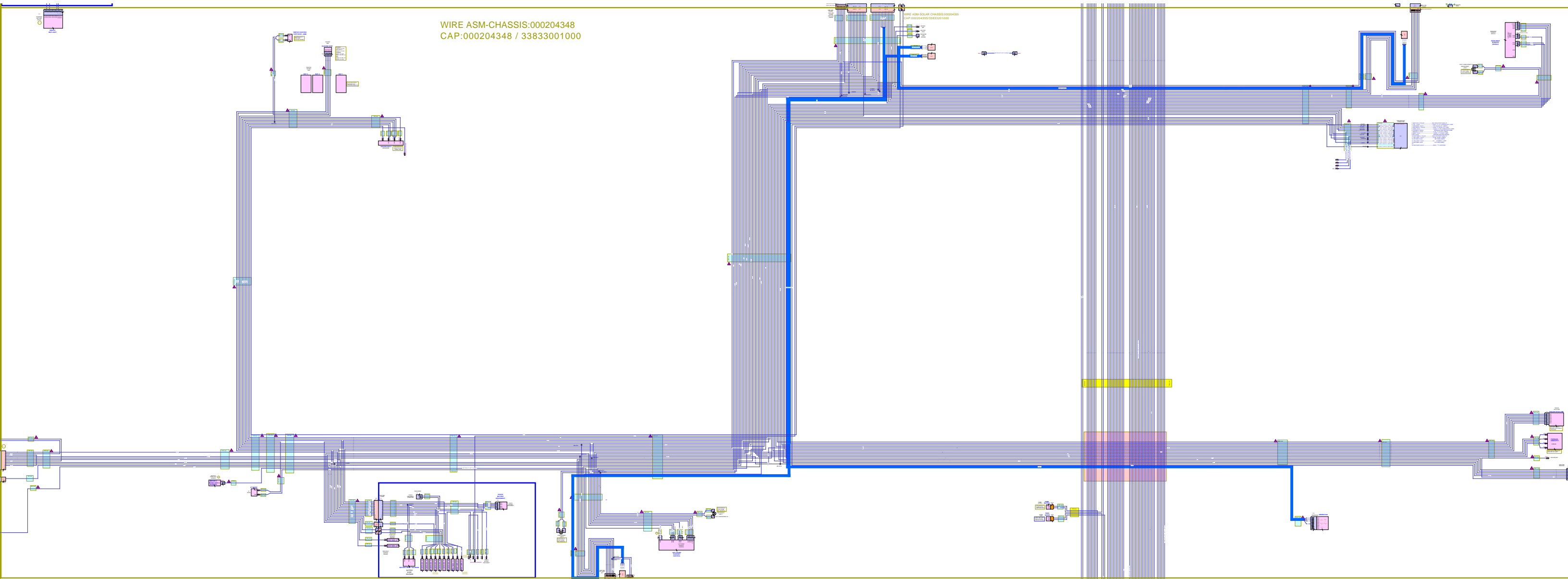
WIRE ASM-AV CABLES:000204283  
CAP: 000204283/33831301000

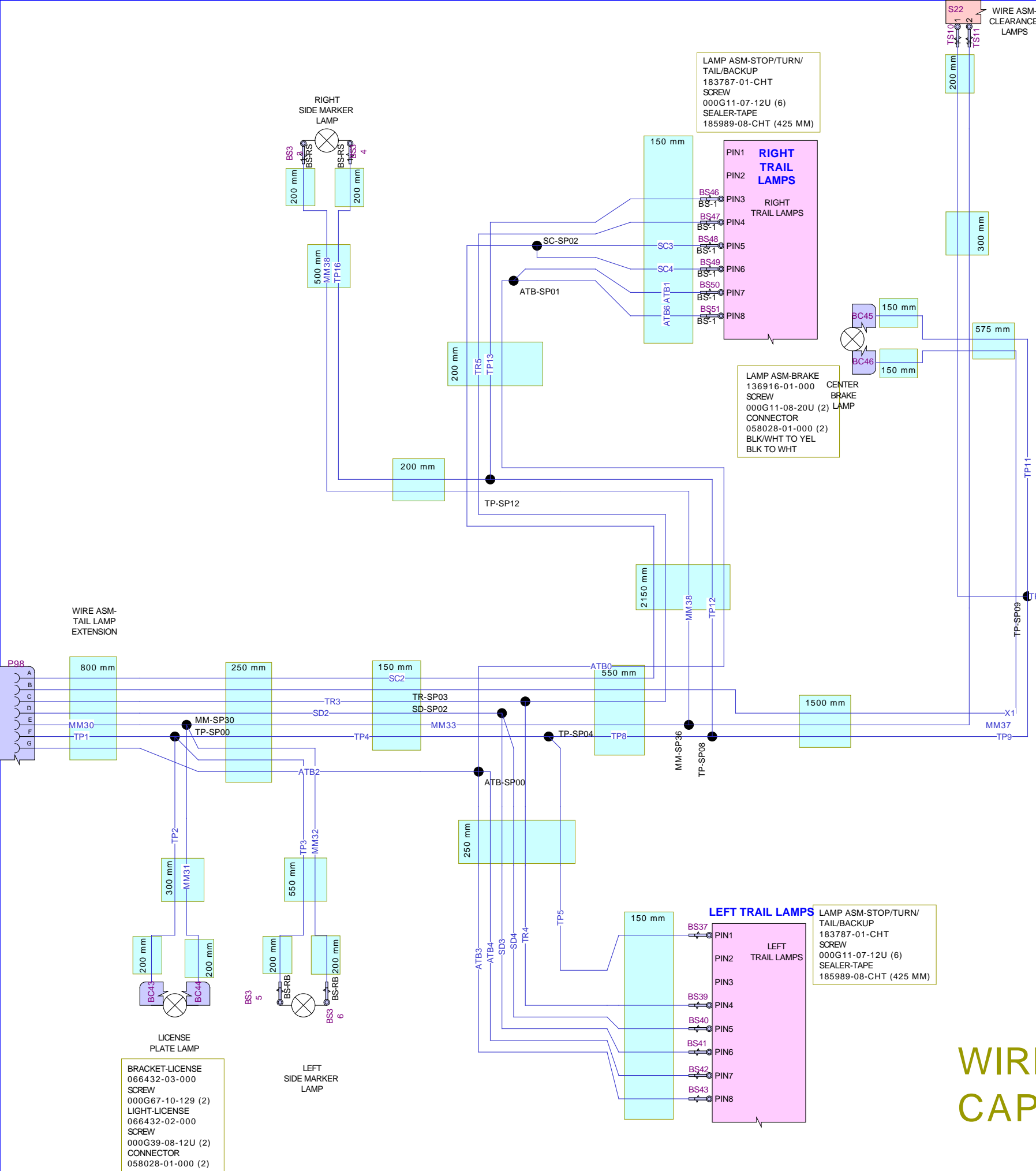


WIRE ASM-ELECTRICAL BOX:000202566

P:000202566/33766001000

WIRE ASM-CHASSIS:000204348  
CAP:000204348 / 33833001000

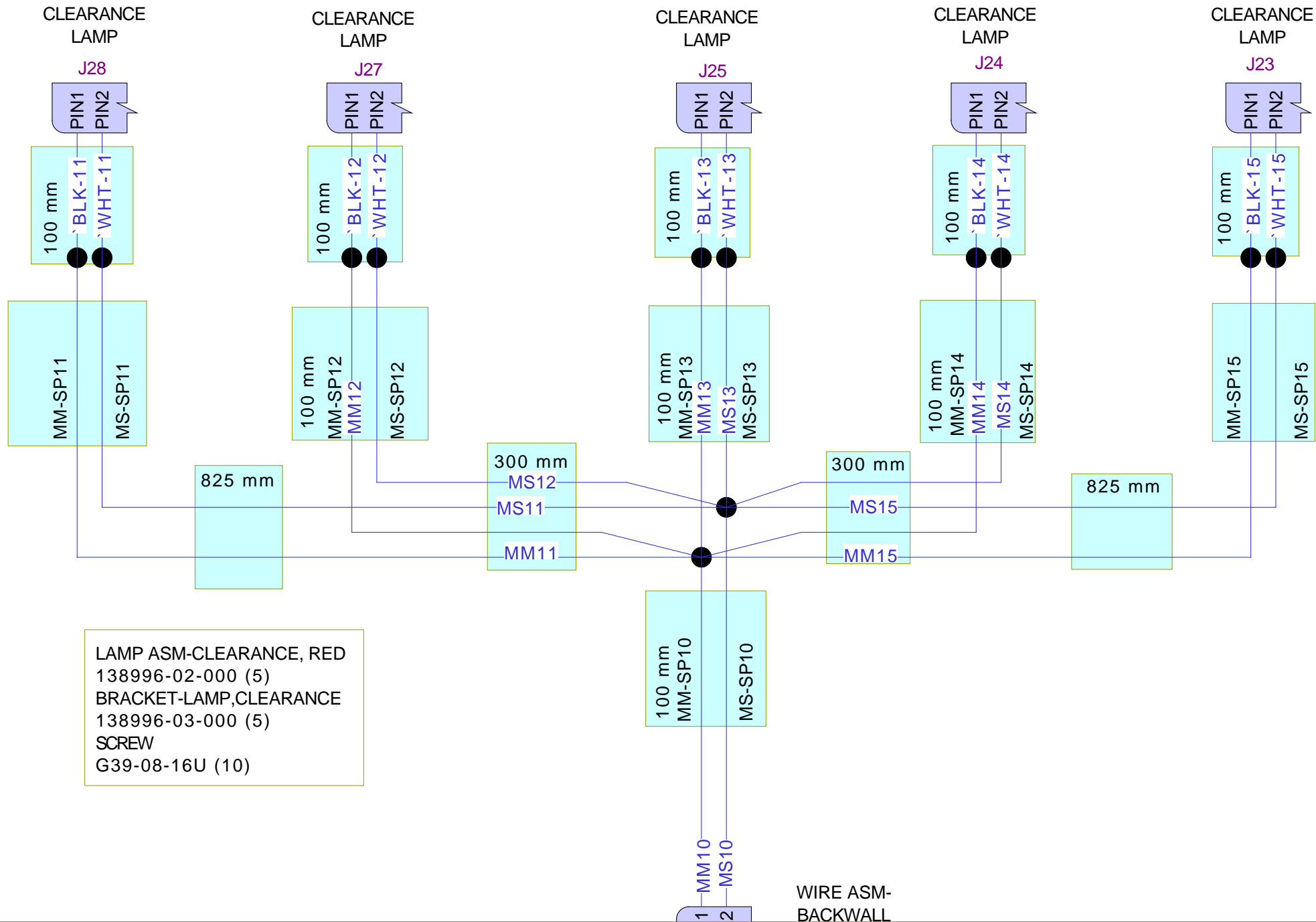




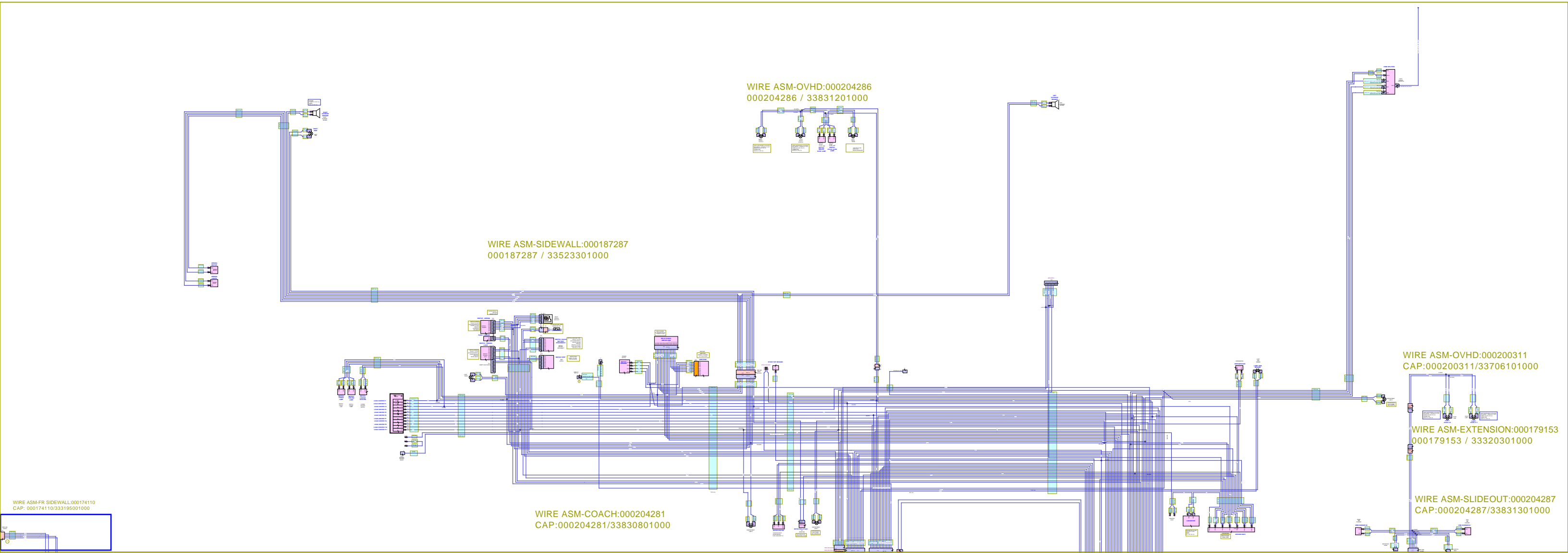
**WIRE ASM-BACKWALL:000201637**  
**CAP: 000201637/33729701000**

# WIRE ASM-CLEARANCE LAMPS BACK:000181174

## CAP: 000181174/333740001000







WIRE ASM-OVHD:000204286  
000204286 / 33831201000

WIRE ASM-SIDEWALL:000187287  
000187287 / 33523301000

WIRE ASM-COACH:000204281  
CAP:000204281/33830801000

WIRE ASM-OVHD:000200311  
CAP:000200311/33706101000

WIRE ASM-EXTENSION:000179153  
000179153 / 33320301000

WIRE ASM-SLIDEOUT:000204287  
CAP:000204287/33831301000

WIRE ASM-FR SIDEWALL:000174110  
CAP: 000174110/333195001000