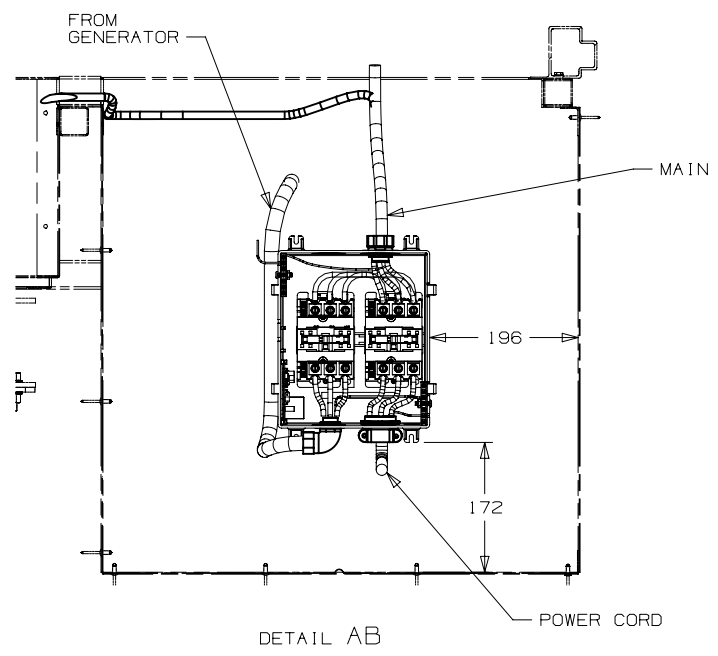
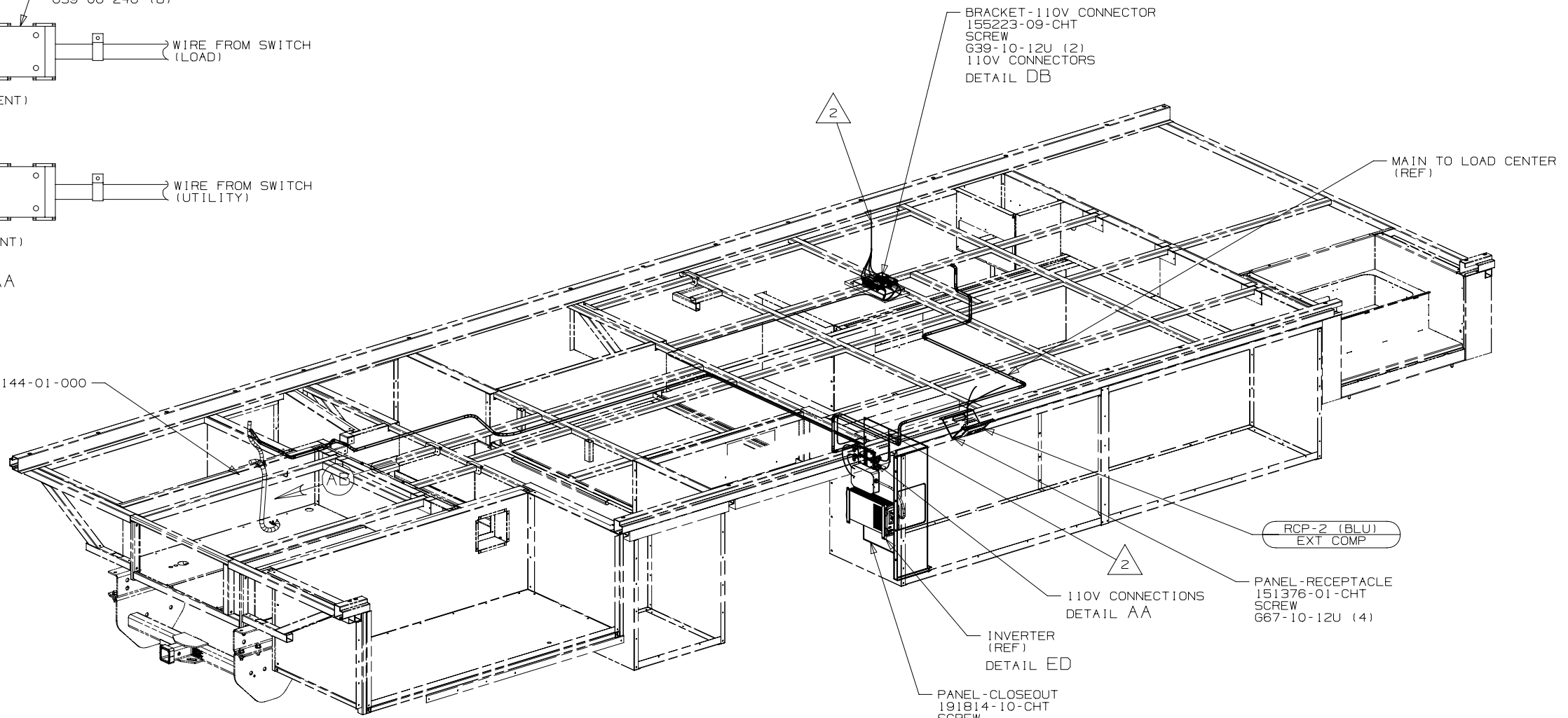


ATS ASM
000125389 / 324144-01-000



3. AT MINIMUM ALL WIRES TO BE SUPPORTED AND SECURED PER CODE REQUIREMENTS. USE CLAMP 10495 OR 10497 OR WIRE TIE 8343 OR 108046 AND SCREW G67-XX-XXX OR G56-XX-XXX AS APPROPRIATE FOR INSTALLATION.

- 2 WIRE ROUTED THROUGH FLOOR IN THIS AREA.
1. WIRES ROUTED UNDER FLOOR.

NOTES:

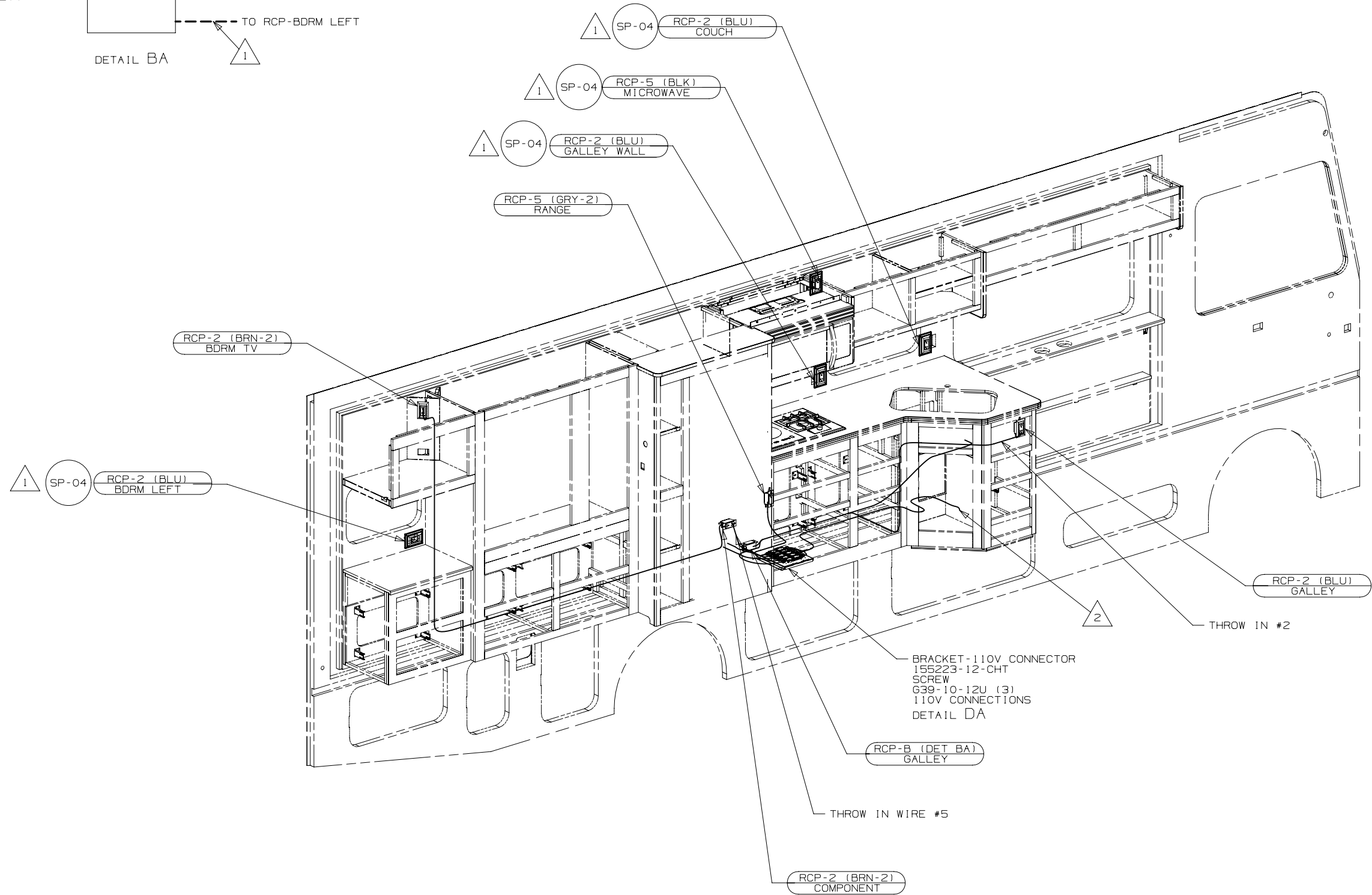
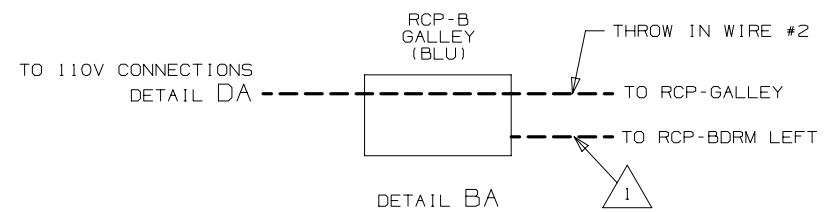
FOR ELECTRICAL TORQUE SPECIFICATIONS SEE DWG NO. 128783-01-000

FOR ELECTRICAL CALLOUTS SEE DWG 000228177 344479-01-000

- 265 CODES/STANDARDS-CSA/CMVSS
- 1B1 CODES/STANDARDS USA
- 1B1 265



DSNR:		ALL DIMENSIONS ARE IN MILLIMETERS	
DFT:		MATERIAL:	
UNSPECIFIED TOLERANCES:		WEIGHT (LBS)	FIRST USED:
WHOLE DIM (X)	± 3		21 F29B
ONE-PLACE (X,XI)	± 1.5	DESCRIPTION:	
TWO-PLACE (X,XX)	± 0.50	WIRING INSTL-BODY, 110V	
ANGLE	± 1°	SHEET:	ITEM/PART NO:
		1 OF 7	000210679 / 33997001000
		REF:	1



3. AT MINIMUM ALL WIRES TO BE SUPPORTED AND SECURED PER CODE REQUIREMENTS. USE CLAMP 10495 OR 10497 OR WIRE TIE 8343 OR 108046 AND SCREW G67-XX-XXX OR G56-XX-XXX AS APPROPRIATE FOR INSTALLATION.

- 2 WIRE ROUTED THRU FLOOR IN THIS AREA.
- 1 WIRE ROUTED IN SIDEWALL.

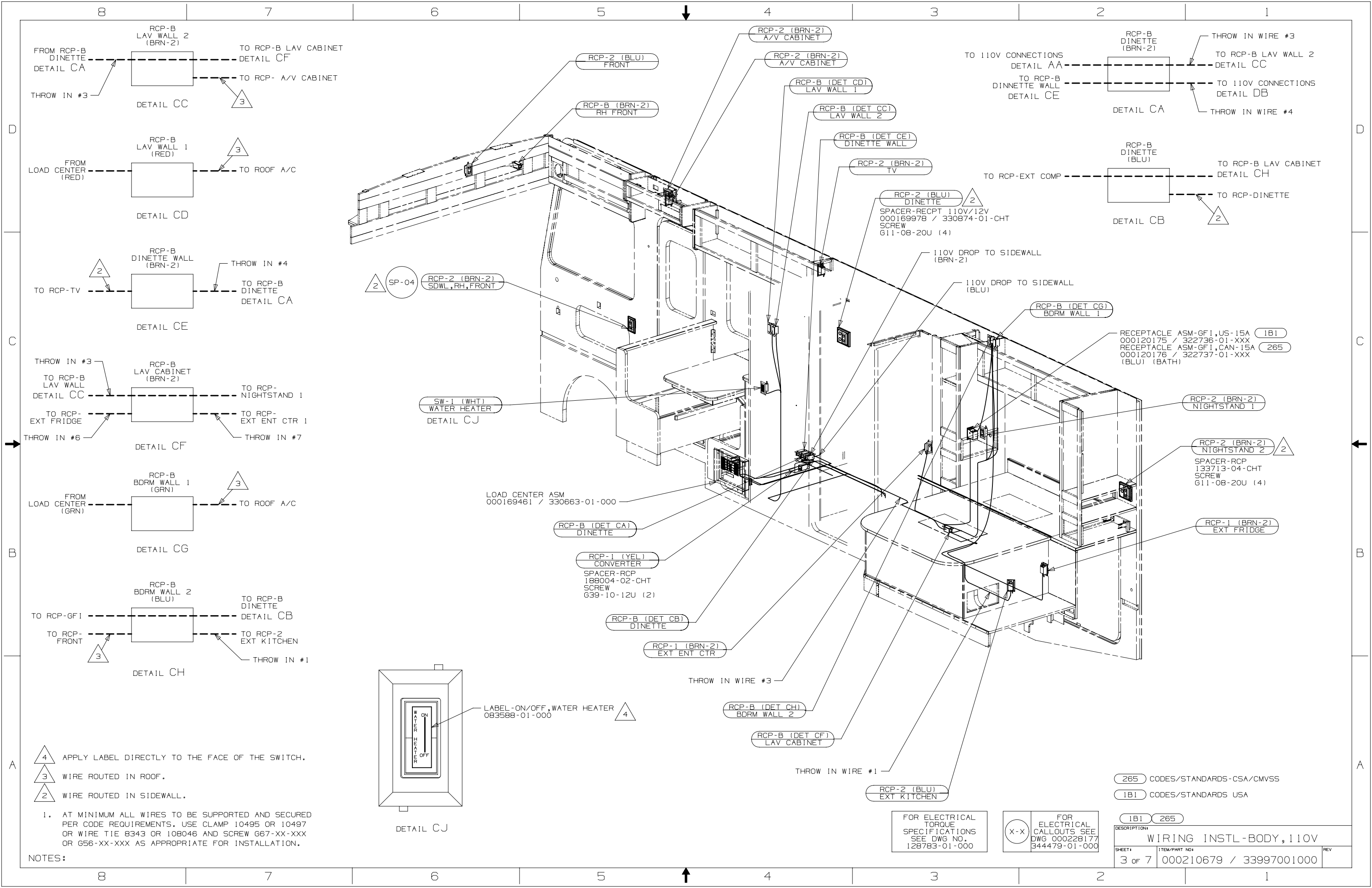
NOTES:

265 CODES/STANDARDS-CSA/CMVSS
 1B1 CODES/STANDARDS USA

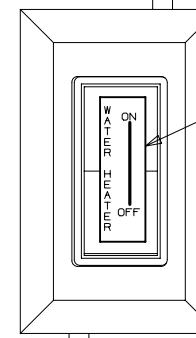
FOR ELECTRICAL TORQUE SPECIFICATIONS SEE DWG NO. 128783-01-000

FOR ELECTRICAL CALLOUTS SEE DWG 000228177 344479-01-000

DESCRIPTION		1B1 265
WIRING INSTL-BODY, 110V		
SHEET#	ITEM/PART NO#	REV
2 of 7	000210679 / 33997001000	



SP-04



DETAIL CJ

NOTES:

4 APPLY LABEL DIRECTLY TO THE FACE OF THE SWITCH.

3 WIRE ROUTED IN ROOF.

2 WIRE ROUTED IN SIDEWALL.

1. AT MINIMUM ALL WIRES TO BE SUPPORTED AND SECURED PER CODE REQUIREMENTS. USE CLAMP 10495 OR 10497 OR WIRE TIE 8343 OR 108046 AND SCREW 667-XX-XXX OR G56-XX-XXX AS APPROPRIATE FOR INSTALLATION.

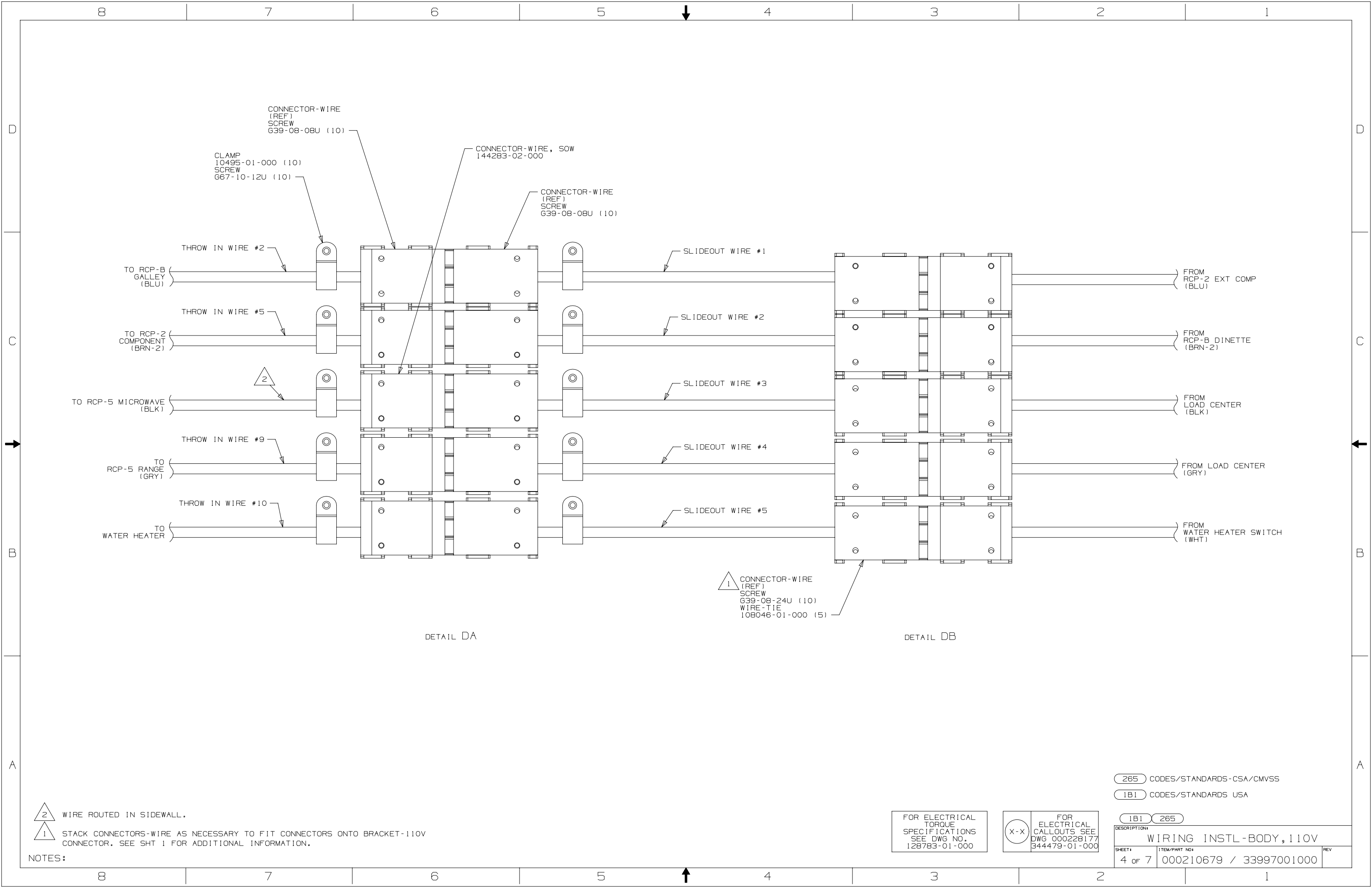
(265) CODES/STANDARDS-CSA/CMVSS

(1B1) CODES/STANDARDS USA

FOR ELECTRICAL TORQUE SPECIFICATIONS SEE DWG NO. 128783-01-000

FOR ELECTRICAL CALLOUTS SEE DWG 000228177 344479-01-000

(1B1)	(265)
DESCRIPTION	
WIRING INSTL-BODY, 110V	
SHEET 1	ITEM/PART NO 1
3 OF 7	000210679 / 33997001000
REV	



CONNECTOR-WIRE
(REF)
SCREW
G39-08-08U (10)

CLAMP
10495-01-000 (10)
SCREW
667-10-12U (10)

CONNECTOR-WIRE, SOW
144283-02-000

CONNECTOR-WIRE
(REF)
SCREW
G39-08-08U (10)

TO RCP-B
GALLEY
(BLU)

TO RCP-2
COMPONENT
(BRN-2)

TO RCP-5 MICROWAVE
(BLK)

TO
RCP-5 RANGE
(GRY)

TO
WATER HEATER

FROM
RCP-2 EXT COMP
(BLU)

FROM
RCP-B DINETTE
(BRN-2)

FROM
LOAD CENTER
(BLK)

FROM LOAD CENTER
(GRY)

FROM
WATER HEATER SWITCH
(WHT)

2

1

CONNECTOR-WIRE
(REF)
SCREW
G39-08-24U (10)
WIRE-TIE
108046-01-000 (5)

DETAIL DA

DETAIL DB

2 WIRE ROUTED IN SIDEWALL.

1 STACK CONNECTORS-WIRE AS NECESSARY TO FIT CONNECTORS ONTO BRACKET-110V CONNECTOR. SEE SHT 1 FOR ADDITIONAL INFORMATION.

NOTES:

265 CODES/STANDARDS-CSA/CMVSS

1B1 CODES/STANDARDS USA

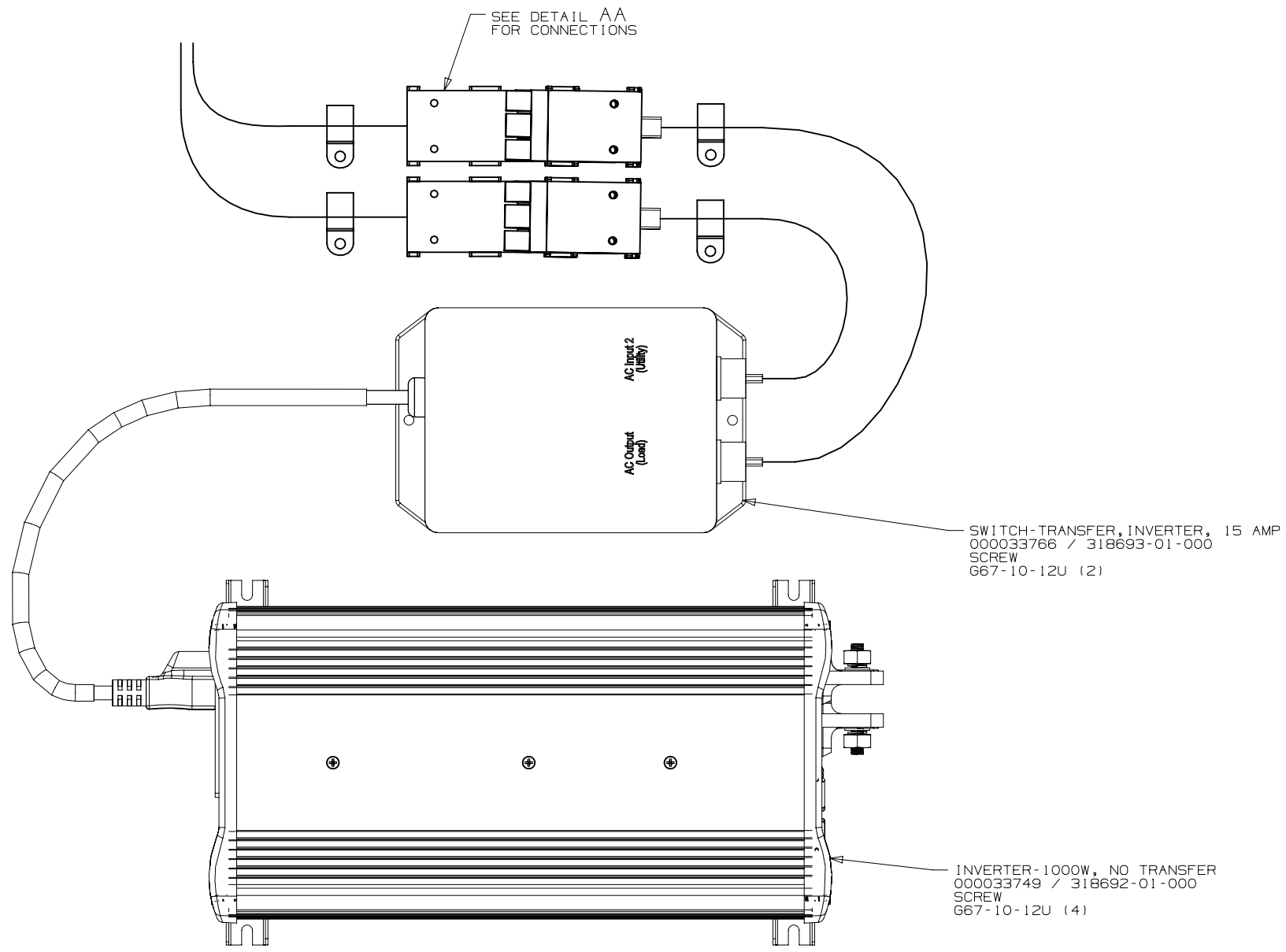
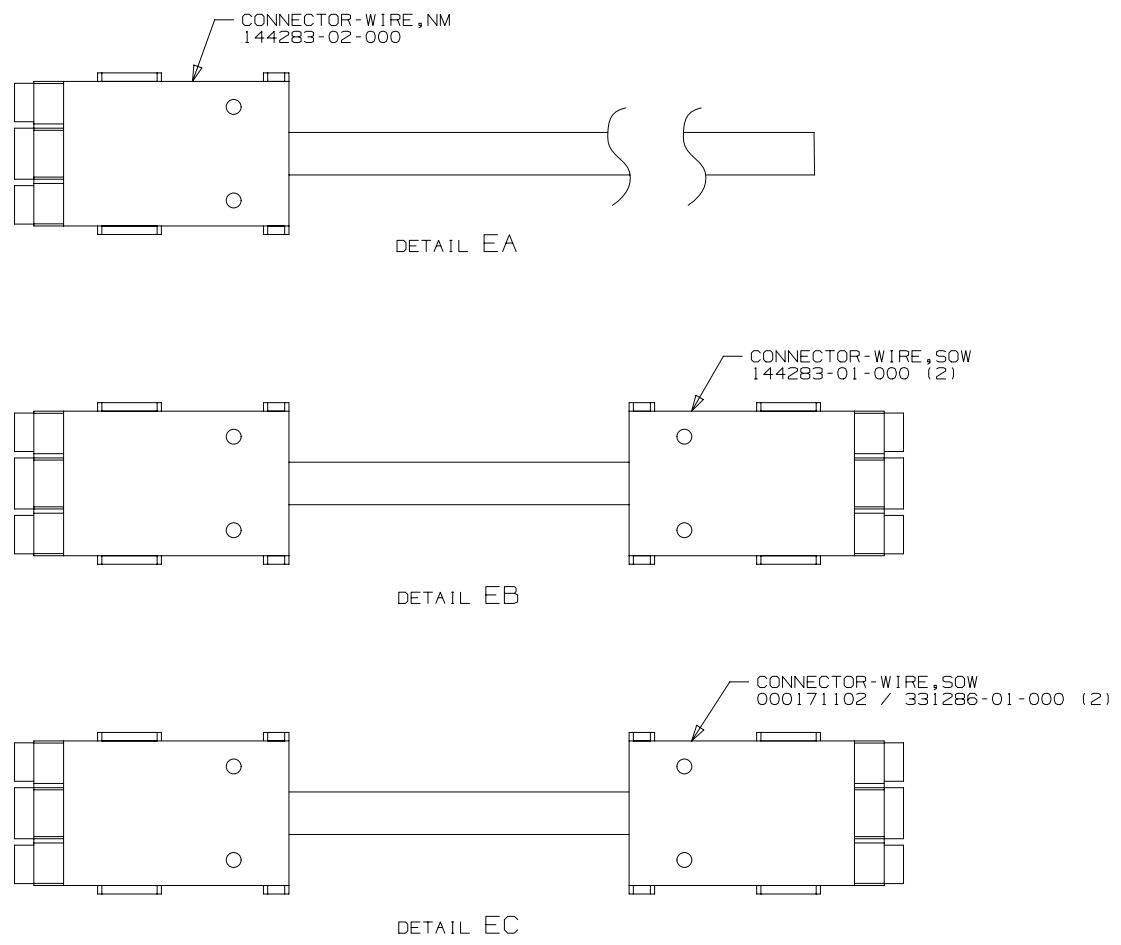
1B1 265

FOR ELECTRICAL
TORQUE
SPECIFICATIONS
SEE DWG NO.
128783-01-000

FOR ELECTRICAL
CALLOUTS SEE
DWG 000228177
344479-01-000

DESCRIPTION:
WIRING INSTL-BODY, 110V

SHEET:	ITEM/PART NO:	REV:
4 of 7	000210679 / 33997001000	



DETAIL ED

265 CODES/STANDARDS-CSA/CMVSS
1B1 CODES/STANDARDS USA

FOR ELECTRICAL
TORQUE
SPECIFICATIONS
SEE DWG NO.
128783-01-000

FOR
ELECTRICAL
CALLOUTS SEE
DWG 000228177
344479-01-000

DESCRIPTION:	
1B1 265	
WIRING INSTL-BODY, 110V	
SHEET:	ITEM/PART NO:
5 of 7	000210679 / 33997001000
REV	

GRN	1B1	136135-08-066	
	265	136136-08-066	
RED	1B1	136135-07-057	
	265	136136-07-057	
YEL	1B1	136131-05-017	
	265	136134-05-017	
BRN	1B1	136131-03-038	2
	265	136134-03-038	2
BLU	1B1	136131-02-177	2
	265	136134-02-177	2
MAIN	1B1	136139-01-084	5
	265	136140-01-084	5
BLK	1B1	136135-06-070	2
	265	136136-06-070	2
WHT	1B1	136131-09-120	2
	265	136134-09-120	2
GRY	1B1	136135-15-070	2
	265	136136-15-070	2

THROW IN WIRE #1	1B1	136131-02-023	
	265	136134-02-023	
THROW IN WIRE #2	1B1	136131-02-036	2
	265	136134-02-036	2
THROW IN WIRE #3	1B1	136131-19-120	2
	265	136134-19-120	2
THROW IN WIRE #4	1B1	136131-19-060	2
	265	136134-19-060	2
THROW IN WIRE #5	1B1	136131-19-054	2
	265	136134-19-054	2
THROW IN WIRE #6	1B1	136131-19-029	
	265	136134-19-029	
THROW IN WIRE #7	1B1	136131-19-016	
	265	136134-19-016	

THROW IN WIRE #9	1B1	136135-15-012	2
	265	136136-15-012	2
THROW IN WIRE #10	1B1	136131-09-027	2
	265	136134-09-027	2
SLIDEOUT WIRE #1		136151-02-030	3
SLIDEOUT WIRE #2		136151-03-030	3
SLIDEOUT WIRE #3		136152-06-030	4
SLIDEOUT WIRE #4		136152-01-030	4 6
SLIDEOUT WIRE #5		136151-09-030	3
GROUND ATS		136145-01-014	

- 6 MARK WIRE WITH (1) WRAP OF GRAY TAPE.
- 5 ATTACH ONE END OF MAIN TO LOAD CENTER. COVER OTHER END OF MAIN CABLE ASM WITH 1000 MM OF CONDUIT 091234-02-000. SECURE WITH TAPE 8363-01-000.
- 4 SEE DETAIL EC FOR CONNECTOR INSTALLATION.
- 3 SEE DETAIL EB FOR CONNECTOR INSTALLATION.
- 2 SEE DETAIL EA FOR CONNECTOR INSTALLATION.

1. ALL GROUNDS WIRES TO BE COVERED WITH TUBING 8041-02-000.

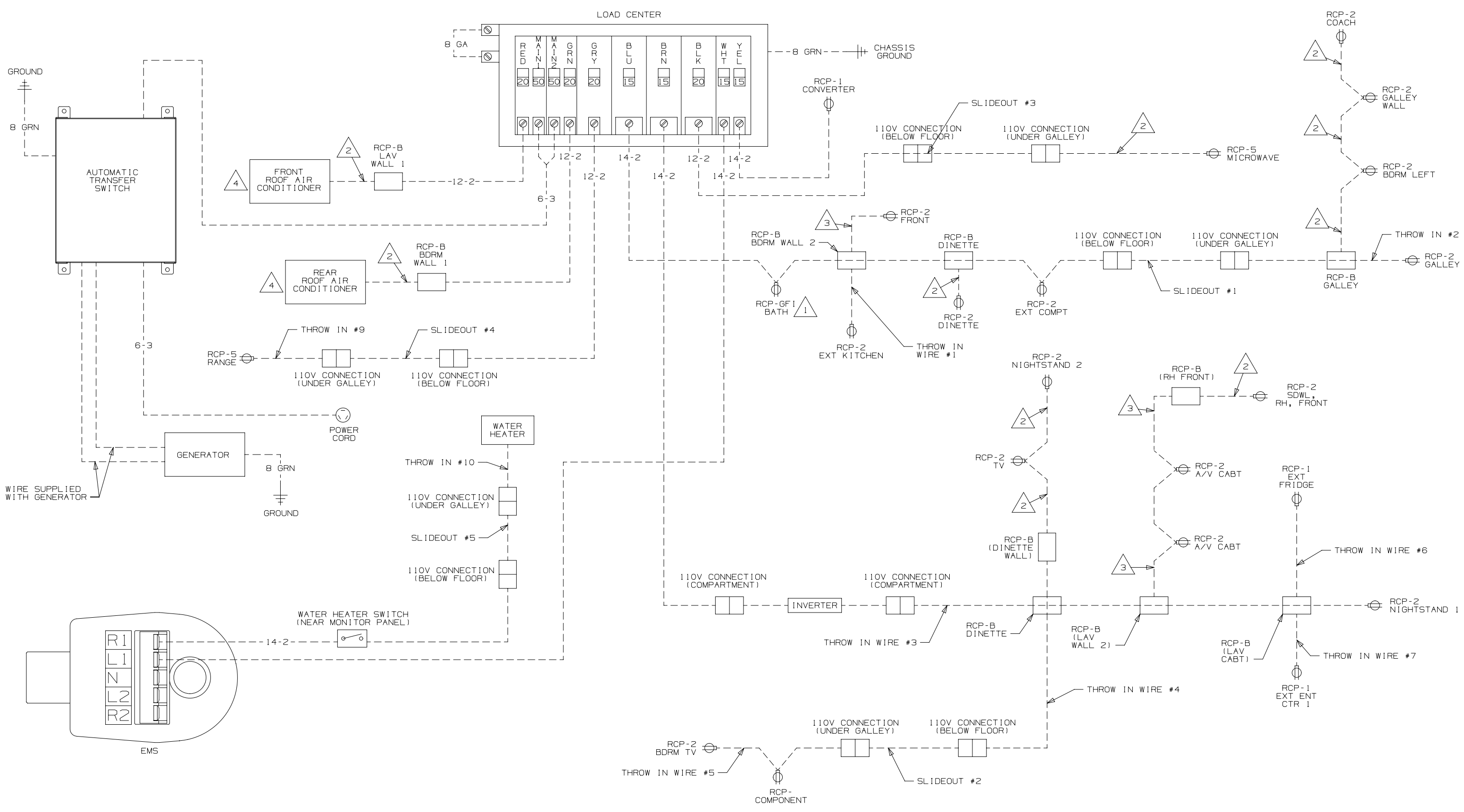
NOTES:

265 CODES/STANDARDS-CSA/CMVSS
 1B1 CODES/STANDARDS USA

FOR ELECTRICAL TORQUE SPECIFICATIONS SEE DWG NO. 128783-01-000

FOR ELECTRICAL CALLOUTS SEE DWG 000228177 344479-01-000

DESCRIPTION: 1B1 265 WIRING INSTL-BODY, 110V		
SHEET: 6 of 7	ITEM/PART NO: 000210679 / 33997001000	REV:



- NOTES:
- 4 SEE MANUFACTURER'S DIAGRAM.
 - 3 WIRE IN ROOF.
 - 2 WIRE IN SIDEWALL.
 - 1 ALL OUTLETS DOWN STREAM AND INCLUDING THIS OUTLET ARE GROUND FAULT INTERRUPT PROTECTED.

FOR ELECTRICAL TORQUE SPECIFICATIONS SEE DWG NO. 128783-01-000

FOR ELECTRICAL CALLOUTS SEE DWG 000228177 344479-01-000

265 CODES/STANDARDS-CSA/CMVSS
 1B1 CODES/STANDARDS USA

DESCRIPTION:	
1B1 265	
WIRING INSTL-BODY, 110V	
SHEET:	REV:
7 OF 7	
ITEM/PART NO:	
000210679 / 33997001000	