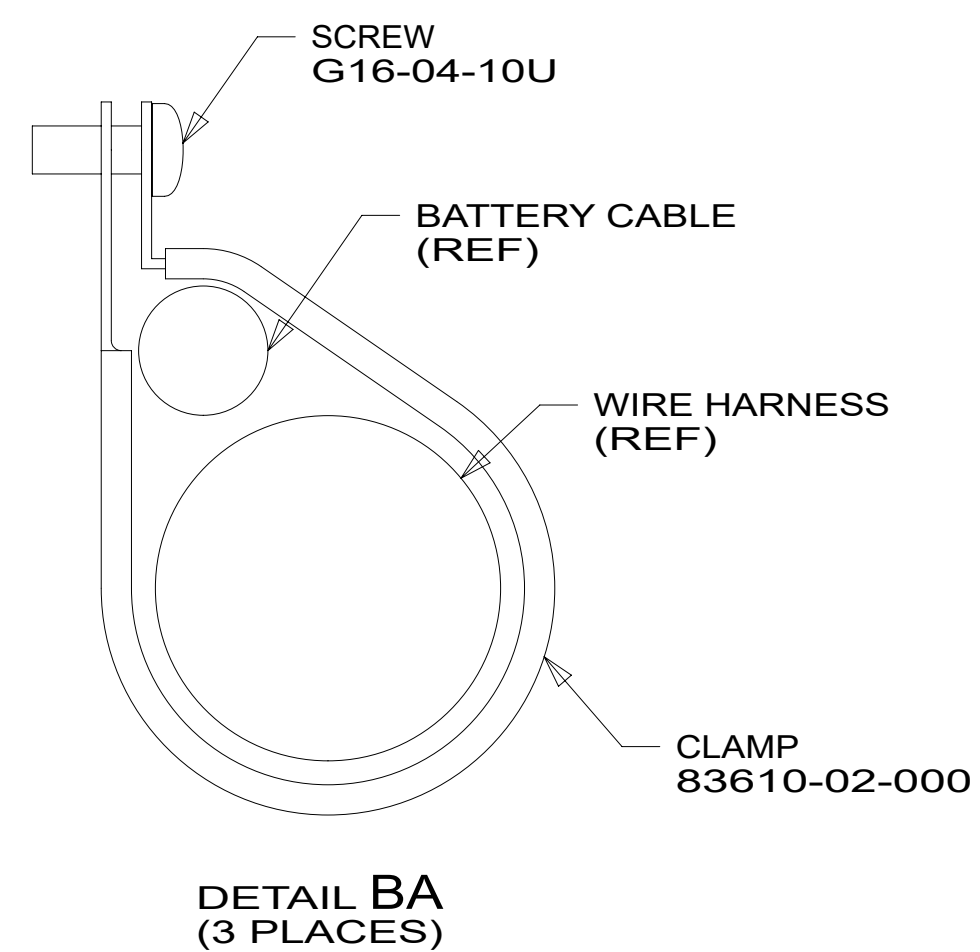


- 7 TORQUE TO 8.00 NM ± 0.40 NM.
- 6 ROUTE WIRES THROUGH CAB FLOOR UNDER DRIVERS SEAT PEDESTAL.
- 5 SEE WIRING INSTL-BODY,12V FOR ADDITIONAL INFORMATION.
- 4 CLAMP 83610-02-000, SCREW G39-08-12U. DO NOT DRILL OR SCREW INTO SPRINTER FRAME. USE ALUMINUM RISERS.
- 3 TIE WIRE MOUNT WIRE TIE TO CHASSIS CROSS MEMBER.
- 2. SECURE CONDUIT 41953, TAB AS REQUIRED, OVER ALL WIRES IN CONTACT WITH SHARP EDGES.
- 1 CABLE SUPPLIED WITH DIESEL GENERATOR WITH 33F

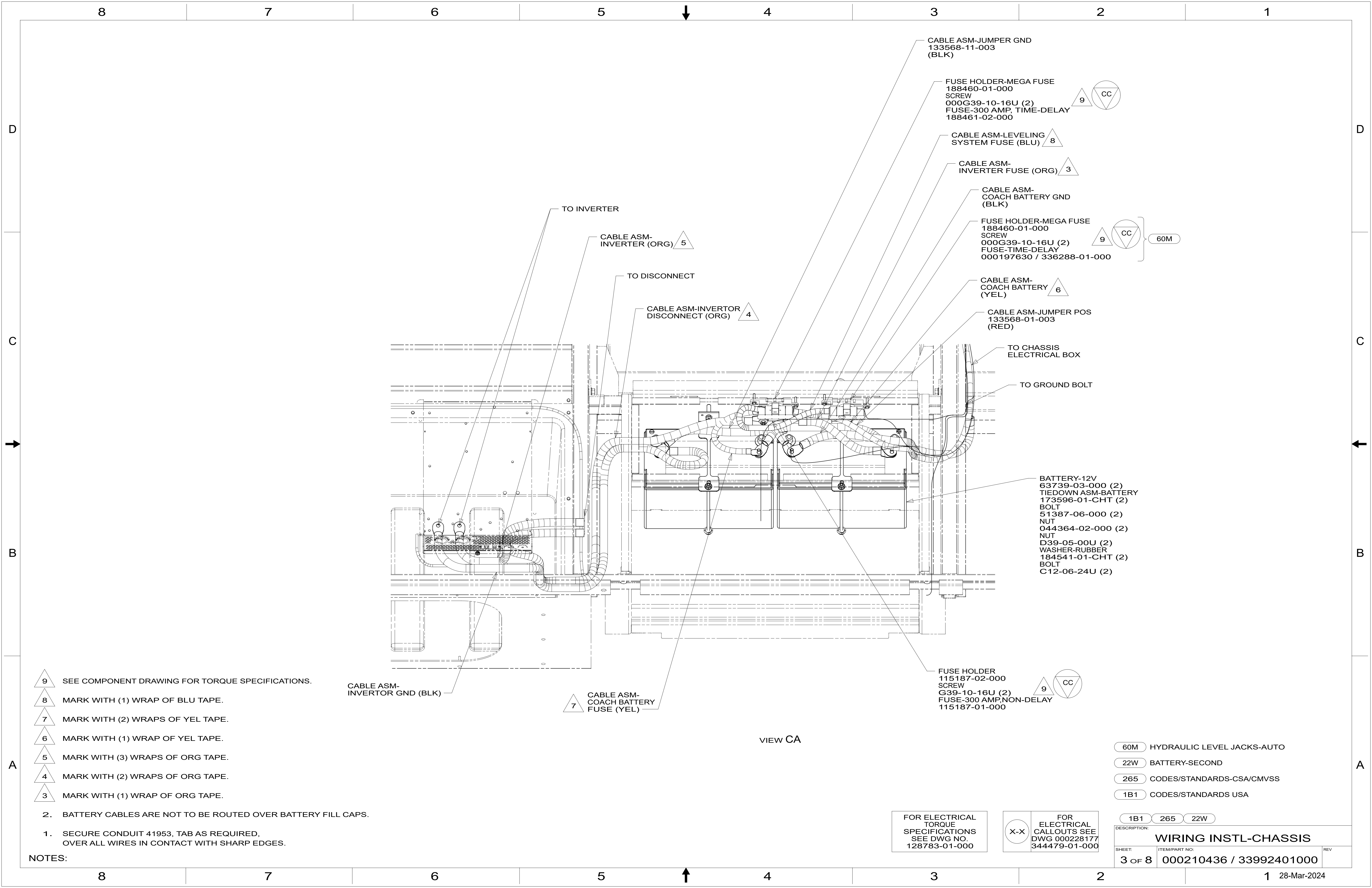


FOR ELECTRICAL TORQUE SPECIFICATIONS SEE DWG NO. 128783-01-000

FOR ELECTRICAL CALLOUTS SEE DWG 000228177 344479-01-000

- 33F GEN-3.5 KW ONAN DIESEL
- 52G GEN-3.6KW ONAN LP MICROQUIET
- 265 CODES/STANDARDS-CSA/CMVSS
- 1B1 CODES/STANDARDS USA

DESCRIPTION: WIRING INSTL-CHASSIS	
SHEET: 2 OF 8	ITEM/PART NO.: 000210436 / 33992401000
REV: 1 28-Mar-2024	



- 9 SEE COMPONENT DRAWING FOR TORQUE SPECIFICATIONS.
- 8 MARK WITH (1) WRAP OF BLU TAPE.
- 7 MARK WITH (2) WRAPS OF YEL TAPE.
- 6 MARK WITH (1) WRAP OF YEL TAPE.
- 5 MARK WITH (3) WRAPS OF ORG TAPE.
- 4 MARK WITH (2) WRAPS OF ORG TAPE.
- 3 MARK WITH (1) WRAP OF ORG TAPE.

- 2. BATTERY CABLES ARE NOT TO BE ROUTED OVER BATTERY FILL CAPS.
- 1. SECURE CONDUIT 41953, TAB AS REQUIRED, OVER ALL WIRES IN CONTACT WITH SHARP EDGES.

NOTES:

CABLE ASM-INVERTOR GND (BLK)

7 CABLE ASM-COACH BATTERY FUSE (YEL)

FUSE HOLDER 115187-02-000 SCREW G39-10-16U (2) FUSE-300 AMP, NON-DELAY 115187-01-000

CABLE ASM-JUMPER GND 133568-11-003 (BLK)

FUSE HOLDER-MEGA FUSE 188460-01-000 SCREW 000G39-10-16U (2) FUSE-300 AMP, TIME-DELAY 188461-02-000

CABLE ASM-LEVELING SYSTEM FUSE (BLU)

CABLE ASM-INVERTER FUSE (ORG)

CABLE ASM-COACH BATTERY GND (BLK)

FUSE HOLDER-MEGA FUSE 188460-01-000 SCREW 000G39-10-16U (2) FUSE-TIME-DELAY 000197630 / 336288-01-000

CABLE ASM-COACH BATTERY (YEL)

CABLE ASM-JUMPER POS 133568-01-003 (RED)

BATTERY-12V 63739-03-000 (2) TIEDOWN ASM-BATTERY 173596-01-CHT (2) BOLT 51387-06-000 (2) NUT 044364-02-000 (2) NUT D39-05-00U (2) WASHER-RUBBER 184541-01-CHT (2) BOLT C12-06-24U (2)

- 60M HYDRAULIC LEVEL JACKS-AUTO
- 22W BATTERY-SECOND
- 265 CODES/STANDARDS-CSA/CMVSS
- 1B1 CODES/STANDARDS USA

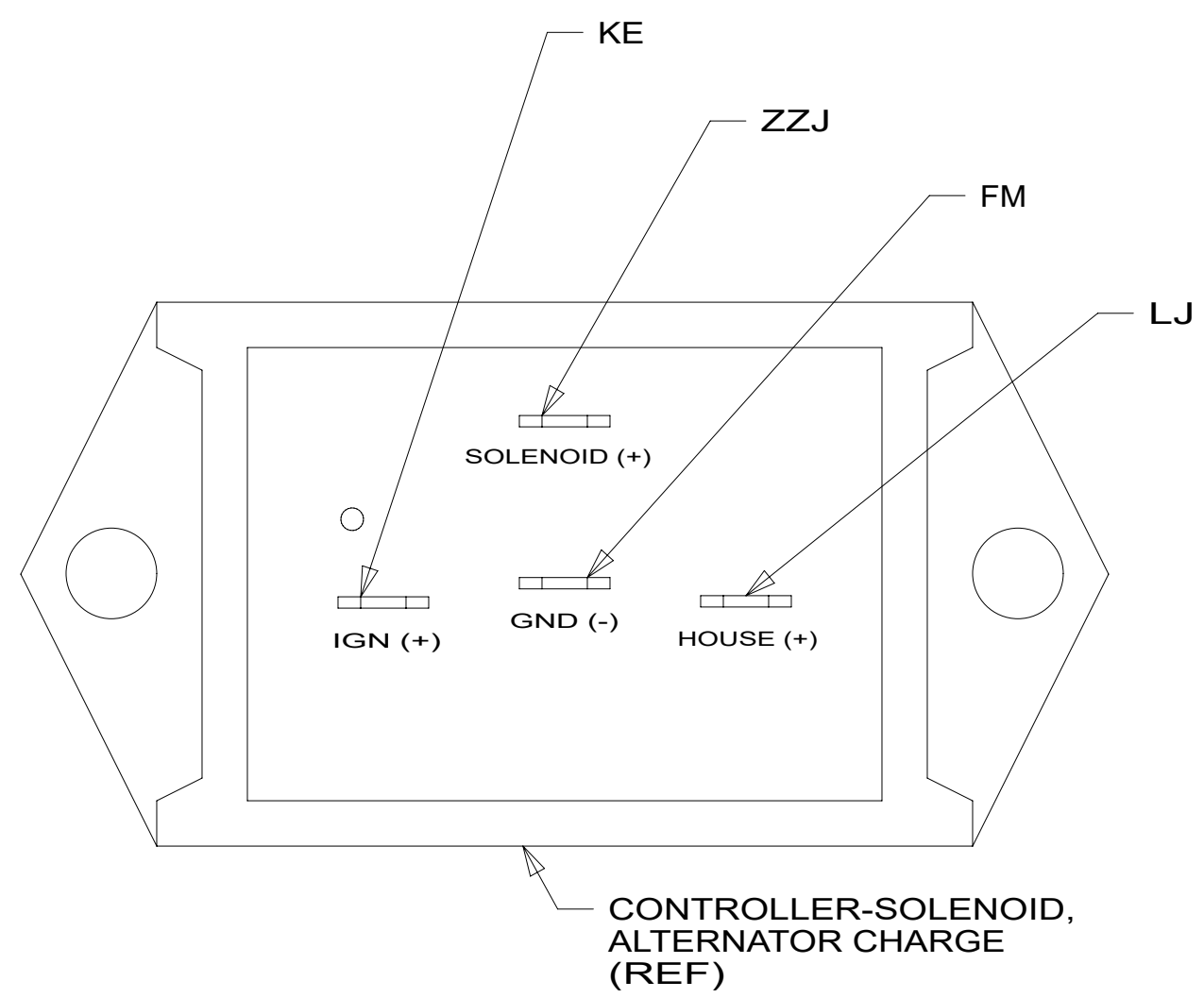
FOR ELECTRICAL TORQUE SPECIFICATIONS SEE DWG NO. 128783-01-000

FOR ELECTRICAL CALLOUTS SEE DWG 000228177 344479-01-000

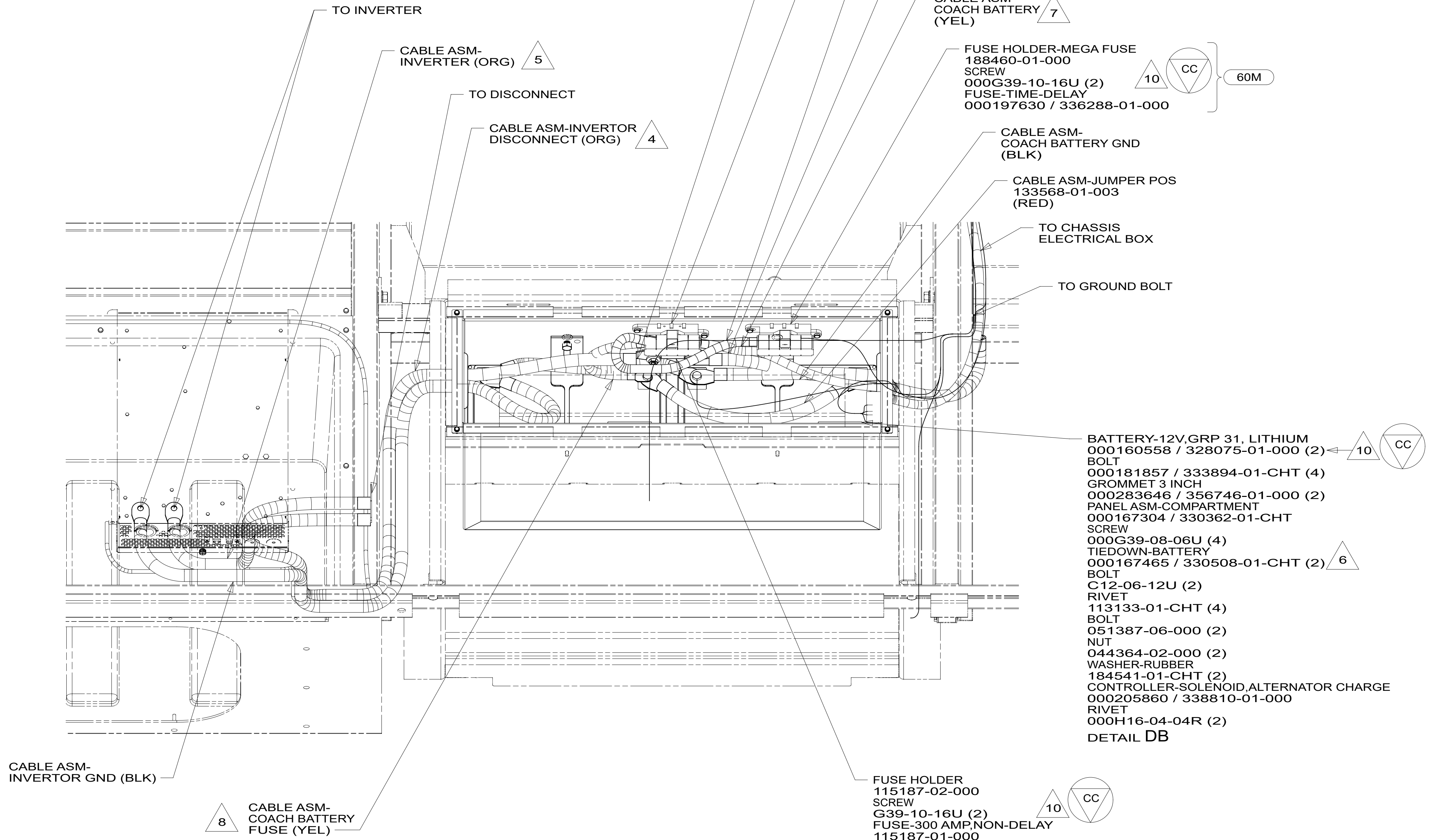
DESCRIPTION: <b>WIRING INSTL-CHASSIS</b>		
SHEET: 3 OF 8	ITEM/PART NO: 000210436 / 33992401000	REV:
		1 28-Mar-2024

VIEW CA





DETAIL DB 2



VIEW DA

- 10 SEE COMPONENT DRAWING FOR TORQUE SPECIFICATIONS.
- 9 MARK WITH (1) WRAP OF BLU TAPE.
- 8 MARK WITH (2) WRAPS OF YEL TAPE.
- 7 MARK WITH (1) WRAP OF YEL TAPE.
- 6 RIVET IN PLACE AFTER TIGHTENING.
- 5 MARK WITH (3) WRAPS OF ORG TAPE.
- 4 MARK WITH (2) WRAPS OF ORG TAPE.
- 3 MARK WITH (1) WRAP OF ORG TAPE.
- 2 CIRCUITS FROM WIRE ASM-CHASSIS.

NOTES:  
1. SECURE CONDUIT 41953, TAB AS REQUIRED, OVER ALL WIRES IN CONTACT WITH SHARP EDGES.

FOR ELECTRICAL TORQUE SPECIFICATIONS SEE DWG NO. 128783-01-000

FOR ELECTRICAL CALLOUTS SEE DWG 000228177 344479-01-000

- 60M HYDRAULIC LEVEL JACKS-AUTO
- 22N BATTERY-LITHIUM ION
- 265 CODES/STANDARDS-CSA/CMVSS
- 1B1 CODES/STANDARDS USA

DESCRIPTION: <b>WIRING INSTL-CHASSIS</b>		
SHEET: 4 OF 8	ITEM/PART NO.: 000210436 / 33992401000	REV

8 7 6 5 4 3 2 1

D  
C  
B  
A

PANEL ASM-SOLENOID  
000180673 / 333622-01-000  
RIVET  
165072-01-CHT (2)

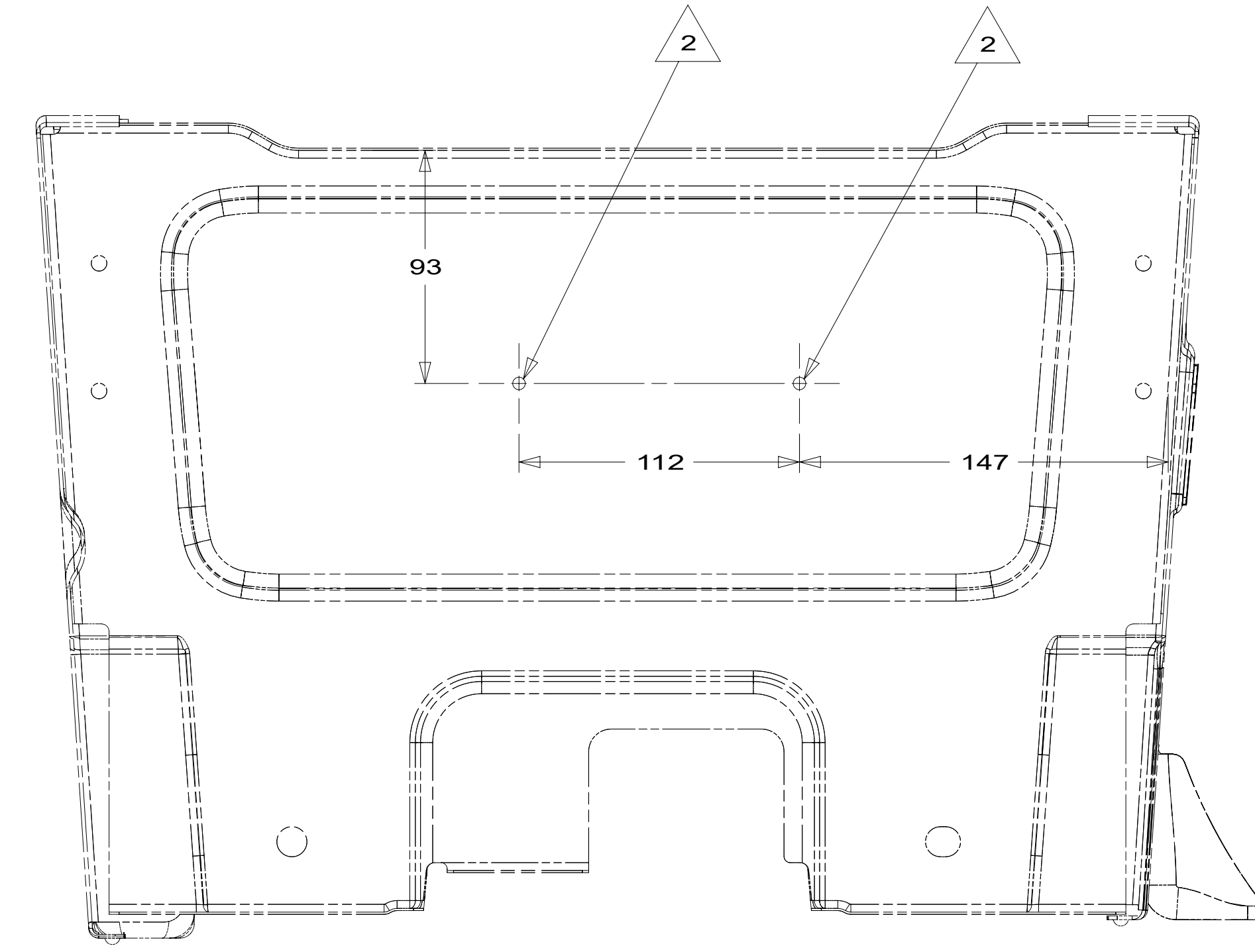
PANEL ASM-CIRCUIT BREAKER  
000166976 / 329974-01-000  
SCREW-PAN,HEAD  
G39-08-08U (6)

PASSENGER SIDE  
SEAT PEDESTAL  
(REF)

LABEL  
098379-01-000

LABEL  
098379-04-000

VIEW EA



VIEW EB

2 DRILL 5 MM HOLE AT LOCATION SHOWN.

1. SECURE CONDUIT 41953, TAB AS REQUIRED,  
OVER ALL WIRES IN CONTACT WITH SHARP EDGES.

NOTES:

FOR ELECTRICAL  
TORQUE  
SPECIFICATIONS  
SEE DWG NO.  
128783-01-000

FOR  
ELECTRICAL  
CALLOUTS SEE  
DWG 000228177  
344479-01-000

265 CODES/STANDARDS-CSA/CMVSS

1B1 CODES/STANDARDS USA

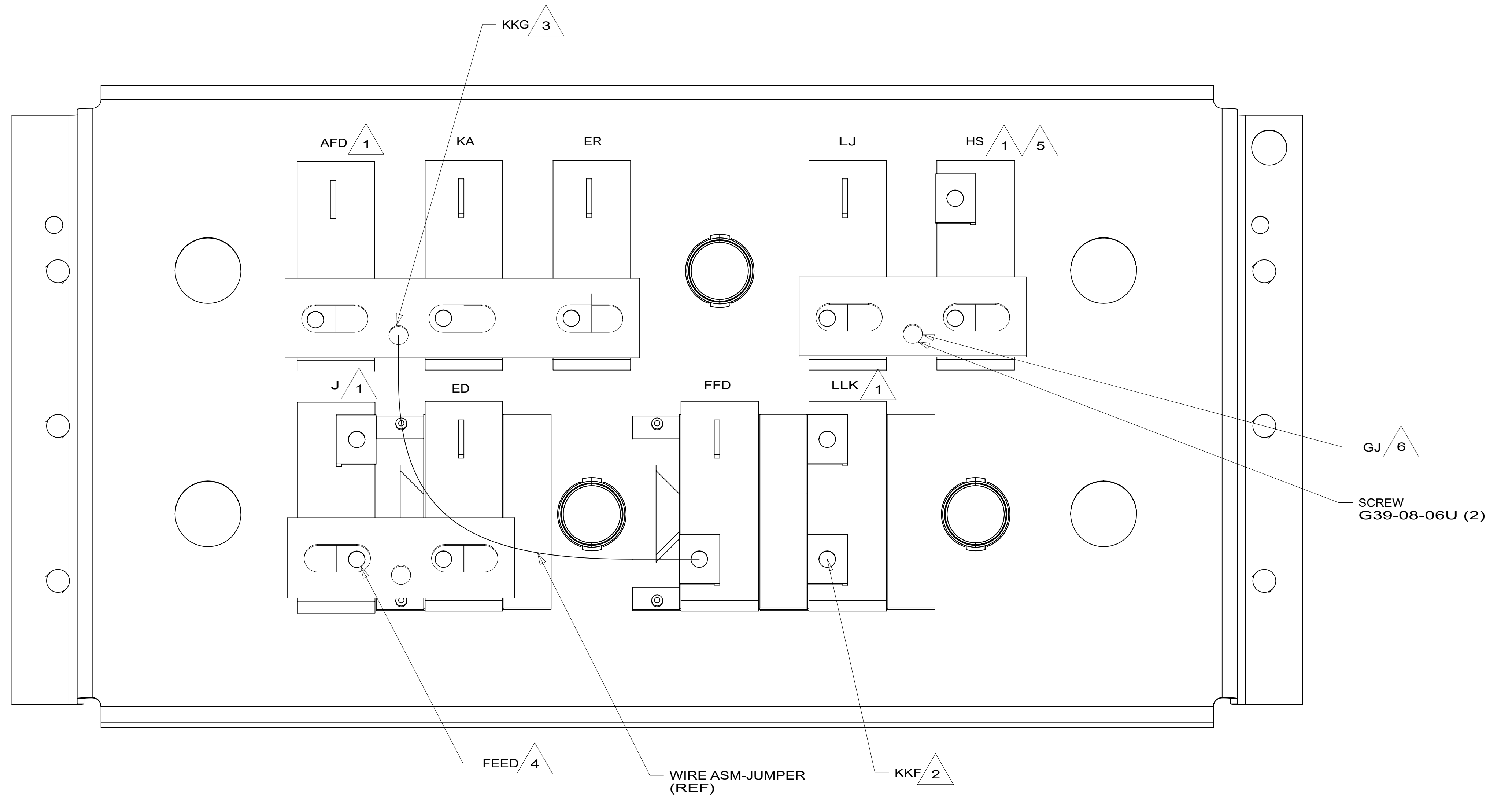
1B1 265

DESCRIPTION:  
**WIRING INSTL-CHASSIS**

SHEET: 5 OF 8 ITEM/PART NO.: 000210436 / 33992401000 REV

8 7 6 5 4 3 2 1 28-Mar-2024

CABLE ASM-STARTER (RED)	192678-02-000	
CABLE ASM-COACH BATTERY (YEL)	141415-52-040	2
CABLE ASM-COACH BATTERY FUSE (YEL)	141415-52-003	4
CABLE ASM-COACH BATTERY GND (BLK)	000284631_00700 / 357056-01-007	
CABLE ASM-GENERATOR (GRN)	141415-42-076	52G
CABLE ASM-GENERATOR GND (BLK)	133566-12-017	52G
CABLE ASM-GENERATOR (GRN)	141416-42-069	33F
CABLE ASM-GENERATOR GND (BLK)	133567-12-011	33F
CABLE ASM-INVERTOR FUSE (ORG)	000288368_00400 / 357492-01-004	8
CABLE ASM-INVERTOR DISCONNECT (ORG)	000284705_01500 / 357059-01-015	9
CABLE ASM-INVERTOR (ORG)	000284705_00600 / 357059-01-006	10
CABLE ASM-INVERTOR GND (BLK)	000284631_01500 / 357056-01-015	
CABLE ASM-LEVELING SYSTEM FUSE (BLU)	141415-21-003	60M



VIEW FA

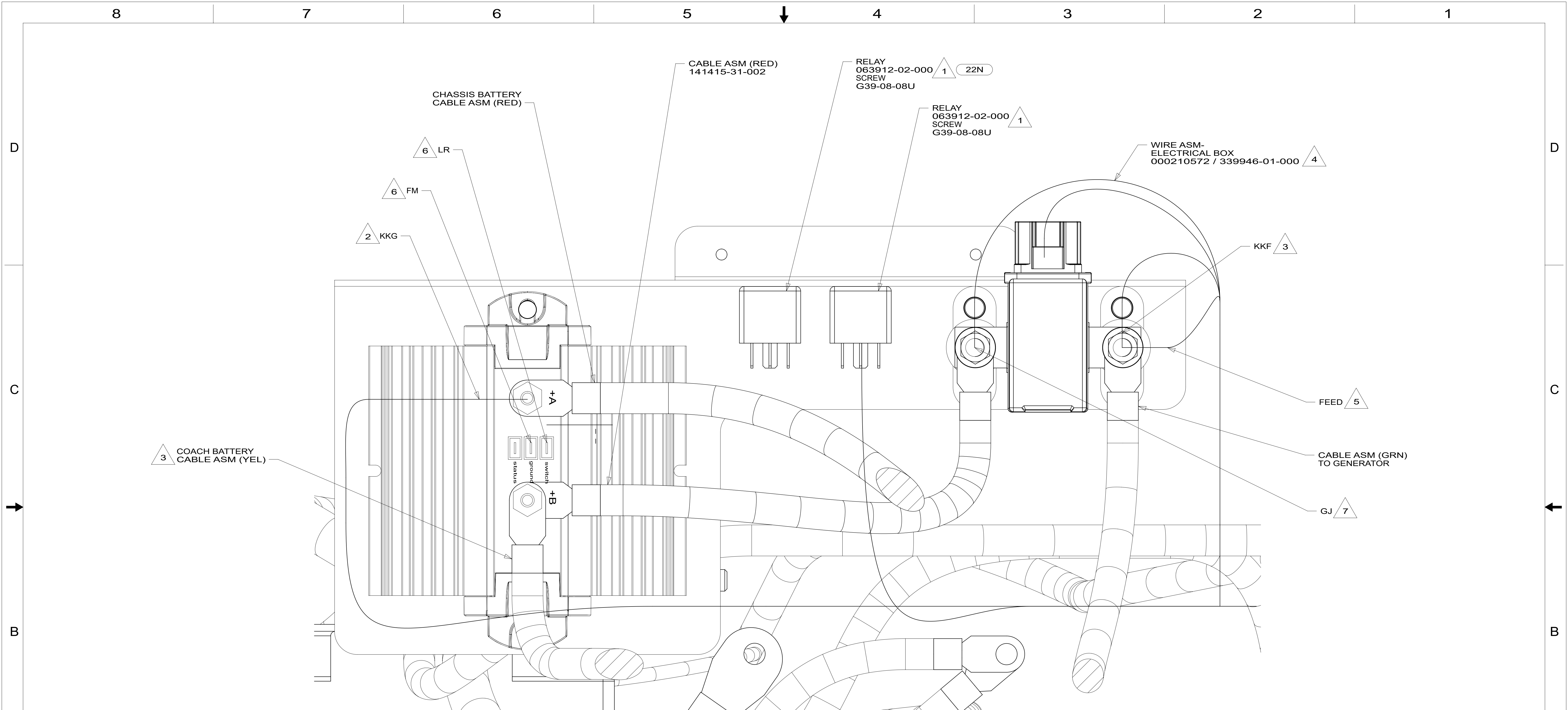
- NOTES:
- 10 MARK WITH (3) WRAPS OF ORG TAPE.
  - 9 MARK WITH (2) WRAPS OF ORG TAPE.
  - 8 MARK WITH (1) WRAP OF ORG TAPE.
  - 7. TAPE BACK UNUSED WIRES TO HARNESS.
  - 6 MARK WITH (1) WRAP OF RED TAPE.
  - 5 MARK WITH (1) WRAP OF WHT TAPE.
  - 4 MARKED WITH (2) WRAPS OF YEL TAPE.
  - 3 MARK WITH (1) WRAP OF PUR TAPE.
  - 2 MARK WITH (1) WRAP OF YEL TAPE.
  - 1 CIRCUIT FROM WIRE ASM-CHASSIS.

- 60M HYDRAULIC LEVEL JACKS-AUTO
- 52G GEN-3.6KW ONAN LP MICROQUIET
- 33F GEN-3.2 KW ONAN DIESEL
- 265 CODES/STANDARDS-CSA/CMVSS
- 1B1 CODES/STANDARDS USA

FOR ELECTRICAL TORQUE SPECIFICATIONS SEE DWG NO. 128783-01-000

FOR ELECTRICAL CALLOUTS SEE DWG 000228177 344479-01-000

DESCRIPTION:	1B1 265	
<b>WIRING INSTL-CHASSIS</b>		
SHEET:	ITEM/PART NO.:	REV
6 OF 8	000210436 / 33992401000	



VIEW GA

- NOTES:
- 7 MARK WITH (1) WRAP OF RED TAPE.
  - 6 WIRE IS PART OF WIRE ASM-CHASSIS.
  - 5 MARK WITH (2) WRAPS OF YEL TAPE.
  - 4 TAPE BACK UNUSED WIRES TO HARNESS.
  - 3 MARK WITH (1) WRAP OF YEL TAPE.
  - 2 MARK WITH (1) WRAP OF PUR TAPE.
  - 1 SEE WIRE ASM-CHASSIS FOR ADDITIONAL INFORMATION.

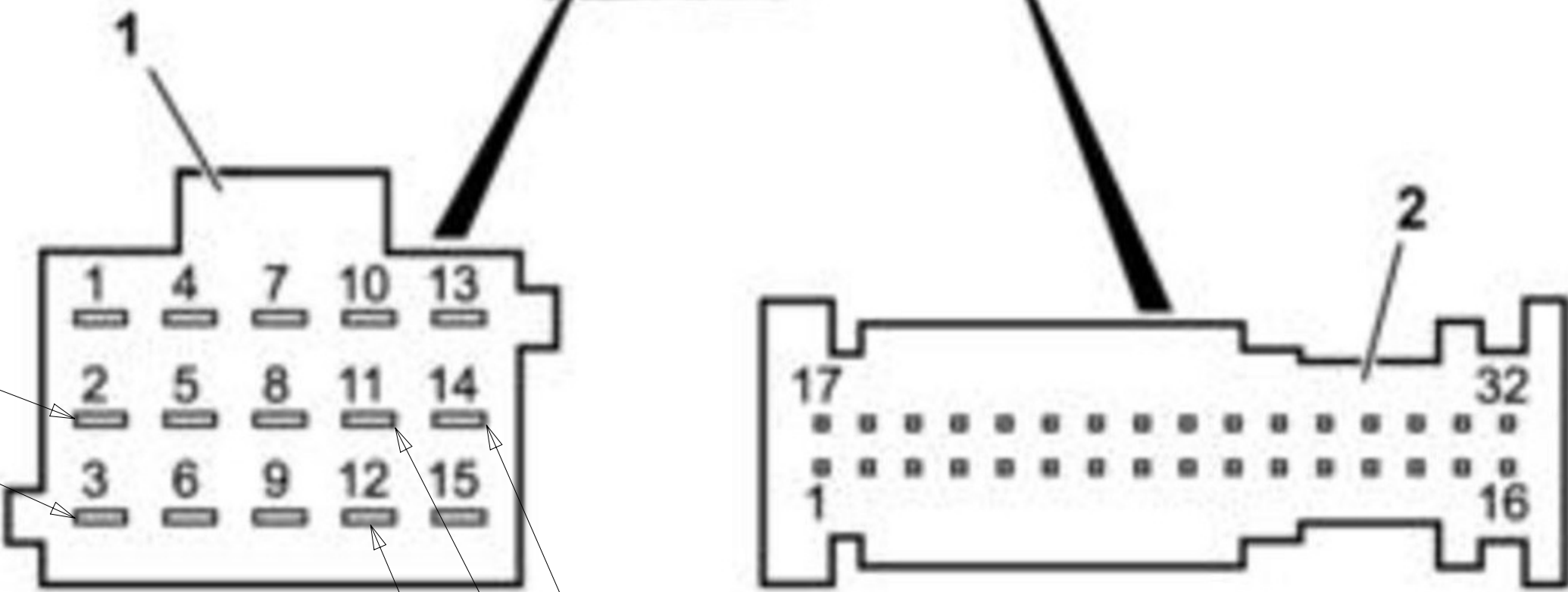
FOR ELECTRICAL TORQUE SPECIFICATIONS SEE DWG NO. 128783-01-000

FOR ELECTRICAL CALLOUTS SEE DWG 000228177 344479-01-000

- 22W BATTERY-SECOND
- 22N BATTERY-LITHIUM ION
- 265 CODES/STANDARDS-CSA/CMVSS
- 1B1 CODES/STANDARDS USA

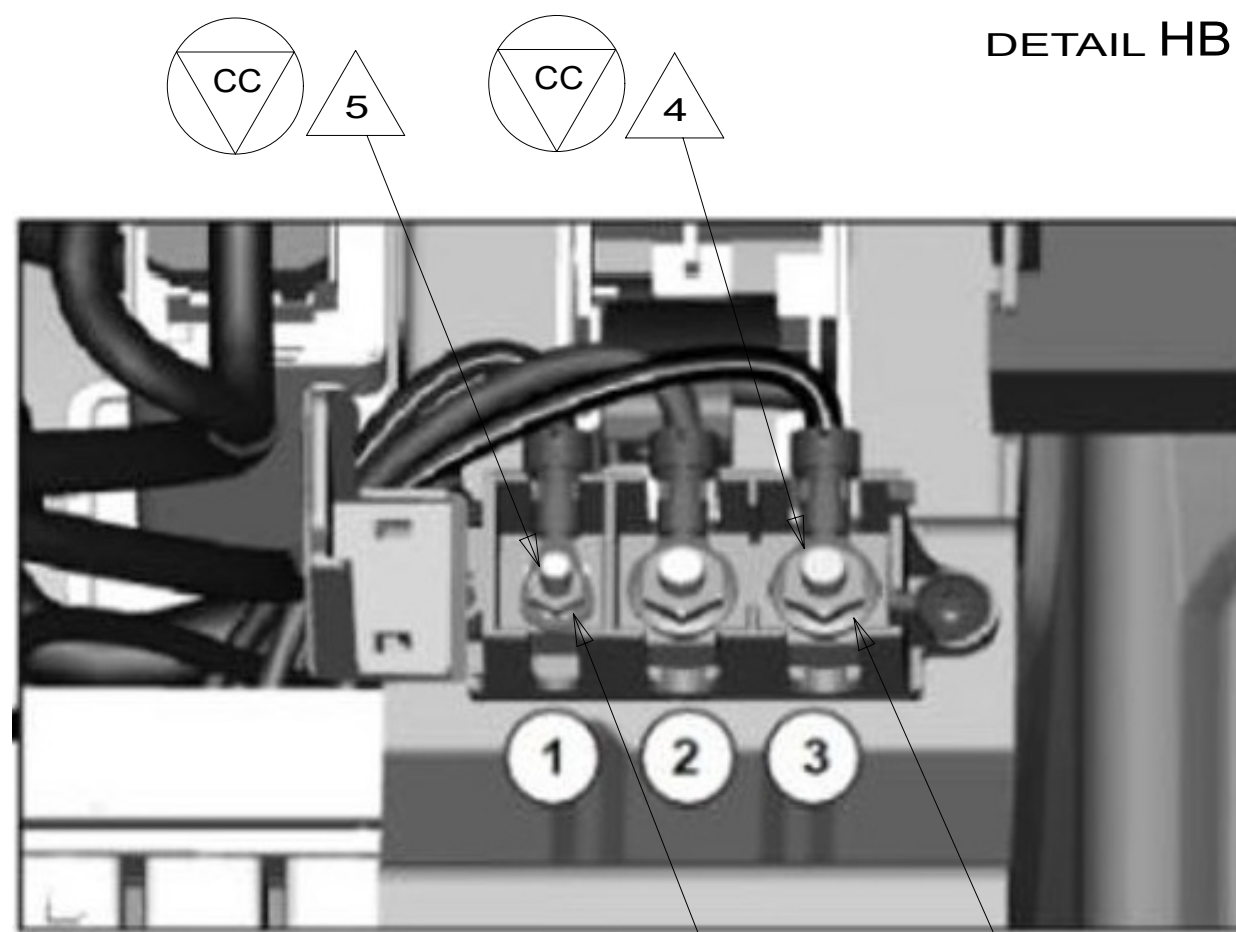
DESCRIPTION:		1B1 265
<b>WIRING INSTL-CHASSIS</b>		
SHEET:	ITEM/PART NO.:	REV
7 OF 8	000210436 / 33992401000	





AEZ  
AEY  
AEU  
AEW  
AEX

DETAIL HB 1

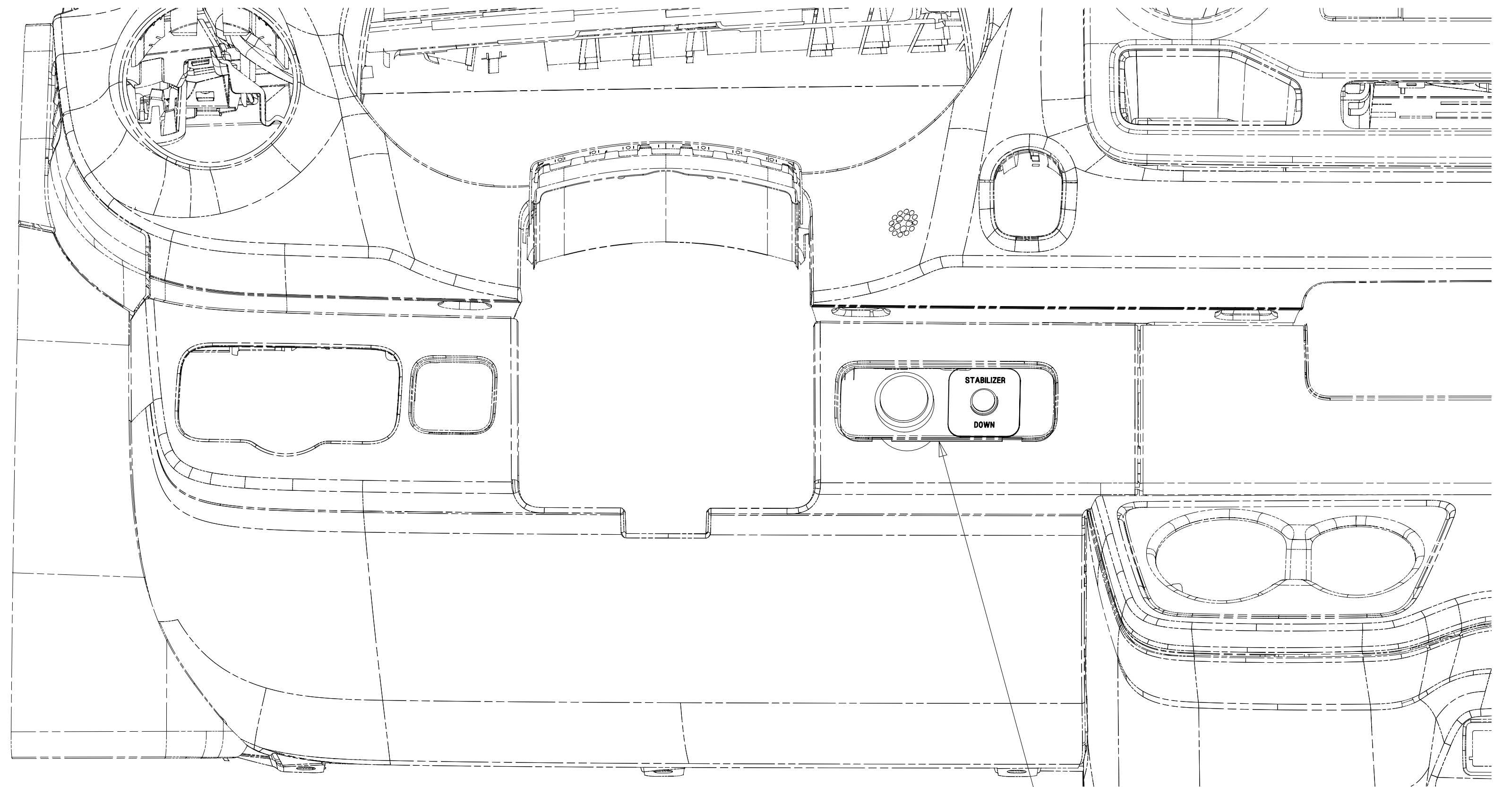


Terminal	U [V] / I [A]
1 <sup>st</sup> power with engine running	12V / 10A
2 <sup>nd</sup> battery direct power	12V / 25A
3 <sup>rd</sup> ignition power	12V / 15A

DETAIL HD 3

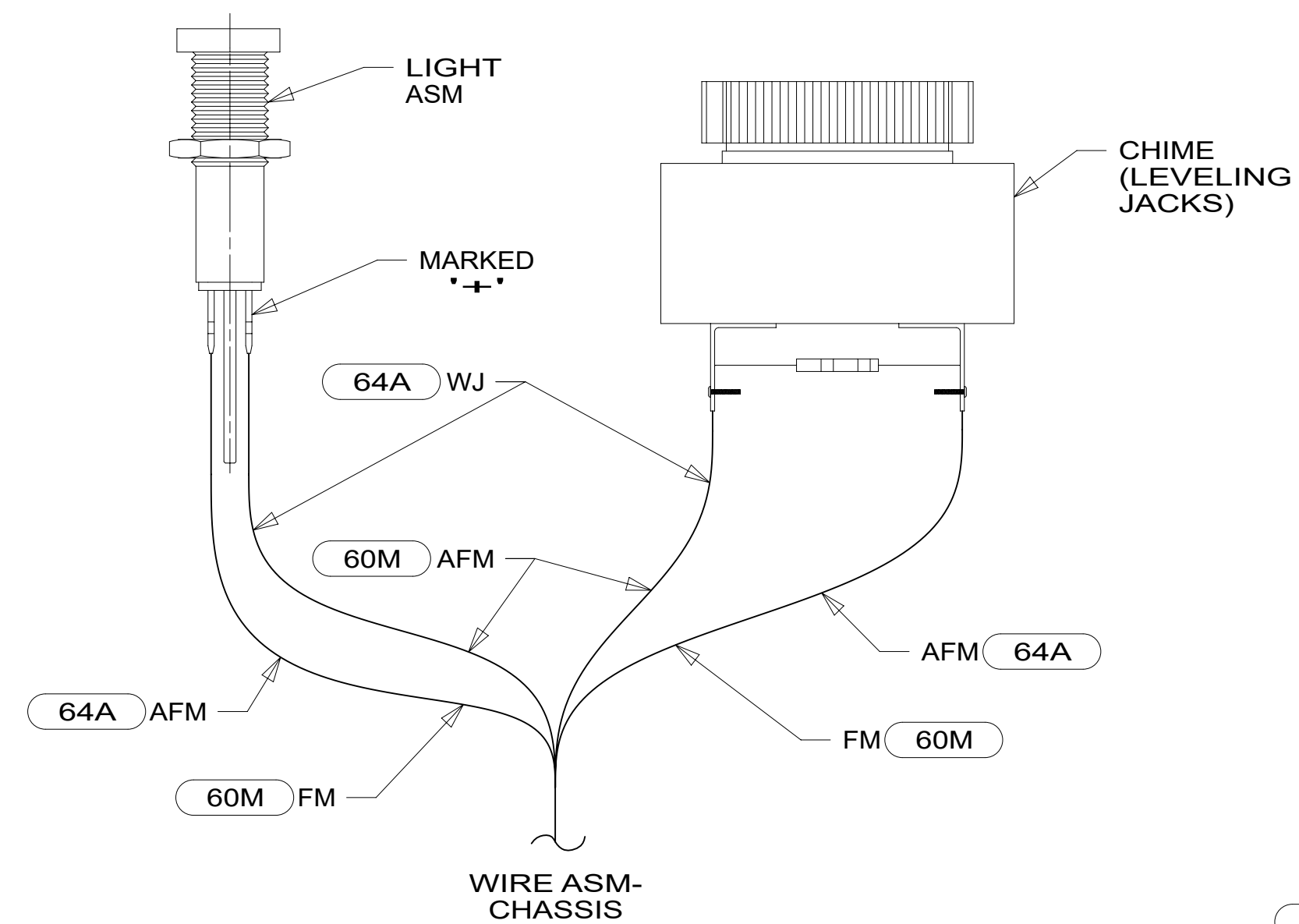
- 5 TORQUE TO 3.00 NM ± 0.15 NM.
- 4 TORQUE TO 6.00 NM ± 0.30 NM.
- 3 CONNECTION POINT IS LOCATED UNDER DRIVERS SEAT.
- 2. SECURE CONDUIT 41953, TAB AS REQUIRED, OVER ALL WIRES IN CONTACT WITH SHARP EDGES.
- 1 PSM IS LOCATED UNDER DRIVERS SEAT.

NOTES:



LIGHT ASM-INDICATOR,RED  
190682-01-000  
APPLIQUE-STABILIZER DOWN  
000027561 / 316014-01-CHT  
ALARM-JACKS DOWN  
160876-01-000  
PLATE-STABILIZER  
000197759 / 336355-01-CHT  
DETAIL HC

64A OR 60M



DETAIL HC 64A OR 60M

- 60M HYDRAULIC LEVEL JACKS-AUTO
- 64A JACKS-STABILIZING, ELECTRIC
- 265 CODES/STANDARDS-CSA/CMVSS
- 1B1 CODES/STANDARDS USA

FOR ELECTRICAL TORQUE SPECIFICATIONS SEE DWG NO. 128783-01-000

FOR ELECTRICAL CALLOUTS SEE DWG 000228177 344479-01-000

DESCRIPTION:	1B1 265	
<b>WIRING INSTL-CHASSIS</b>		
SHEET:	ITEM/PART NO.:	REV
8 OF 8	000210436 / 33992401000	