

36N FAN DEFROSTER  
122856-01-000 (2)  
SCREW  
G39-08-16E (6)  
BUTT SPLICE  
TO AUX FANS  
LE-GRN  
LF-YEL  
XW-BLK

SPEAKER  
171547-01-CHT (2)  
SCREW  
G11-08-12U (8)

5 45B WIRE ASM-BED LIFT  
000198994 / 336615-01-000

45D 3 PIN HOUSING  
TO SIDEWALL

45B 3 PIN HSG  
TO BED LIFT

WIRE ASM-IP,MAIN  
000220271 / 342150-01-000

TO RELAYS  
3,4 & 6 PIN HOUSINGS  
TO LEVELING SYSTEM CONTROLS

RING TERMINAL (4)  
TO GROUND BOLT

DETAIL CA

579 BUTT SPLICE (2)  
TO CB PREP  
DETAIL AA

6 PIN HOUSING  
TO LEFT MIRROR

GROMMET  
23942-02-000

3 TO SUNVISOR SHADE  
3 BUTT SPLICES  
HHM-RED  
HHN-BLK  
KE-BRN

TO GROUND STUD

2 PIN HOUSING  
CONNECTS TO WIRE ASM-  
CLEARANCE FRONT

45B 9 PIN HSG  
TO ROOF

2 PIN HOUSING  
TO SIDEWALL

TAPE (2)  
(400MM) 2

READ-4  
2 45D

RECEPTACLE-12V  
111414-01-000

6 PIN HOUSING  
TO RIGHT MIRROR

USB-CHARGER DUAL,DC  
188312-01-000

SWITCH-MAP LIGHT  
174757-20-CHT  
PANEL-SWITCH  
174834-01-CHT

4 PIN HOUSING  
TO WIRE ASM-  
SIDEWALL,FRONT

WIRE ASM-IP,MAIN  
LABEL-CB PREP  
OPTION  
104678-01-000

CB POWER PROVISION  
YELLOW +12V  
WHITE GROUND  
COAX ANTENNA  
(SEE REVERSE SIDE ALSO)

TO CUSTOMERS  
CB RADIO WIRING  
WHT YEL

DETAIL AA 579

- 36N FANS-DEFROSTER, AUXILIARY
- 45D LOFT BED - WITHOUT
- 45B LOFT BED
- 579 RADIO - CB WIRE PREP
- 265 CODES/STANDARDS-CSA/CMVSS
- 1B1 CODES/STANDARDS USA

1B1 265



DSNR:		ALL DIMENSIONS ARE IN MILLIMETERS	
DFFR:		MATERIAL:	
UNSPECIFIED TOLERANCES:			
WHOLE DIM (X)	: 3		
ONE-PLACE (X.X)	: 1.5		
TWO-PLACE (X.XX)	: 0.50		
ANGLE	: 1°		
REFER TO ES0018 FOR FASTENER TIGHTENING GUIDELINES		WEIGHT: (LBS)	FIRST USED:
			21 F-SER
DESCRIPTION: <b>WIRING INSTL-FRONT END</b>			
SHEET:	ITEM/PART NO.:	REV:	
1 OF 9	000207485 / 33923901000		
REF:		1 25-May-2022	

- 5 SEE SHEET 9 FOR ADDITIONAL INFORMATION ON LOFT BED.
- 4 EDGE OF LABEL TO HANG JUST BELOW BOTTOM OF DASH.
- 3 CUT VISOR WIRING TO 300MM BEFORE CONNECTING.
- 2 USE TAPE 8363-03-000 TO SECURE WIRES IN A-POST.

NOTES:  
1. WINNEBAGO WIRE ASSEMBLIES ARE SHOWN FOR CLARITY.

FOR ELECTRICAL TORQUE SPECIFICATIONS SEE DWG NO. 128783-01-000

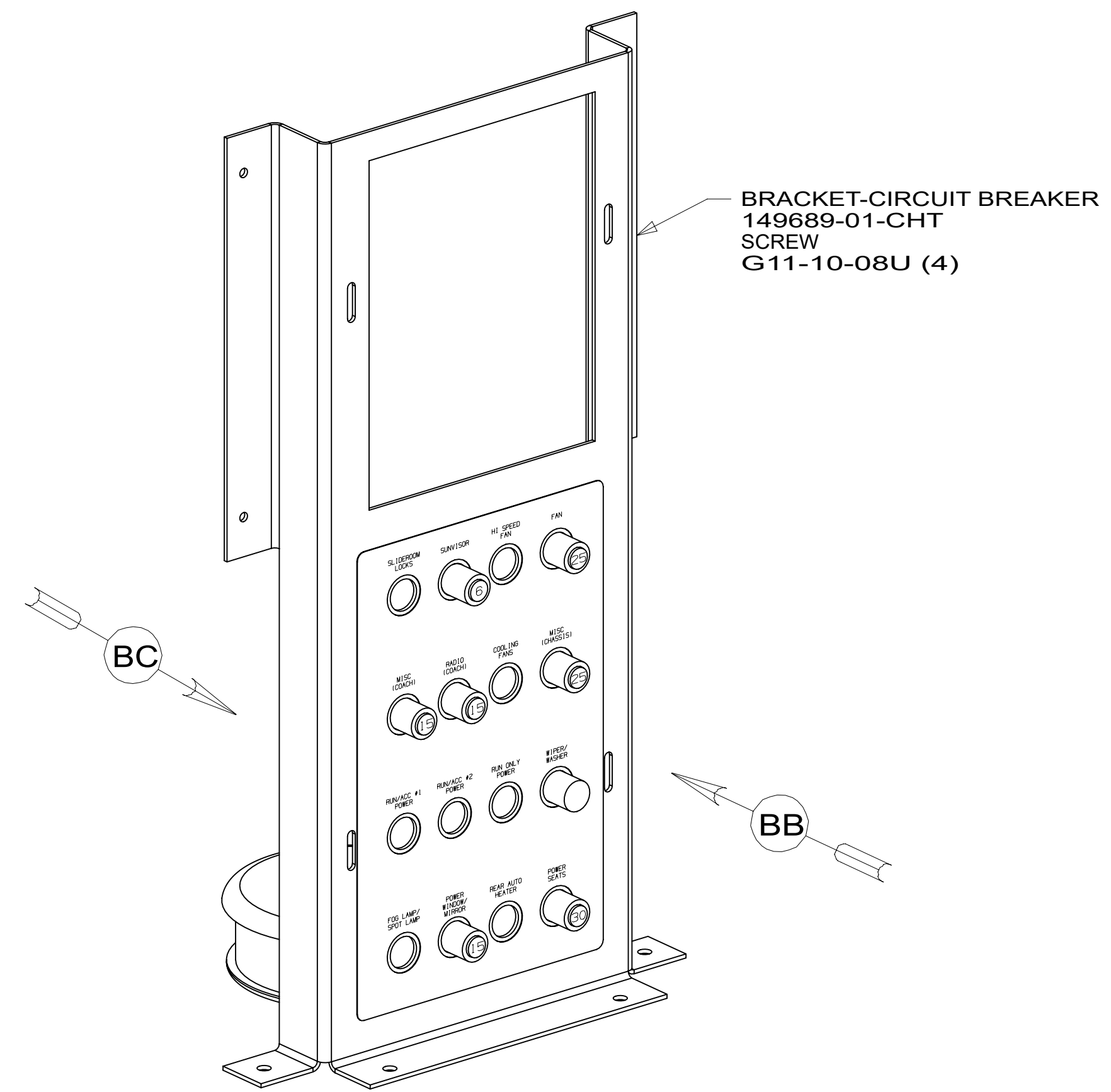
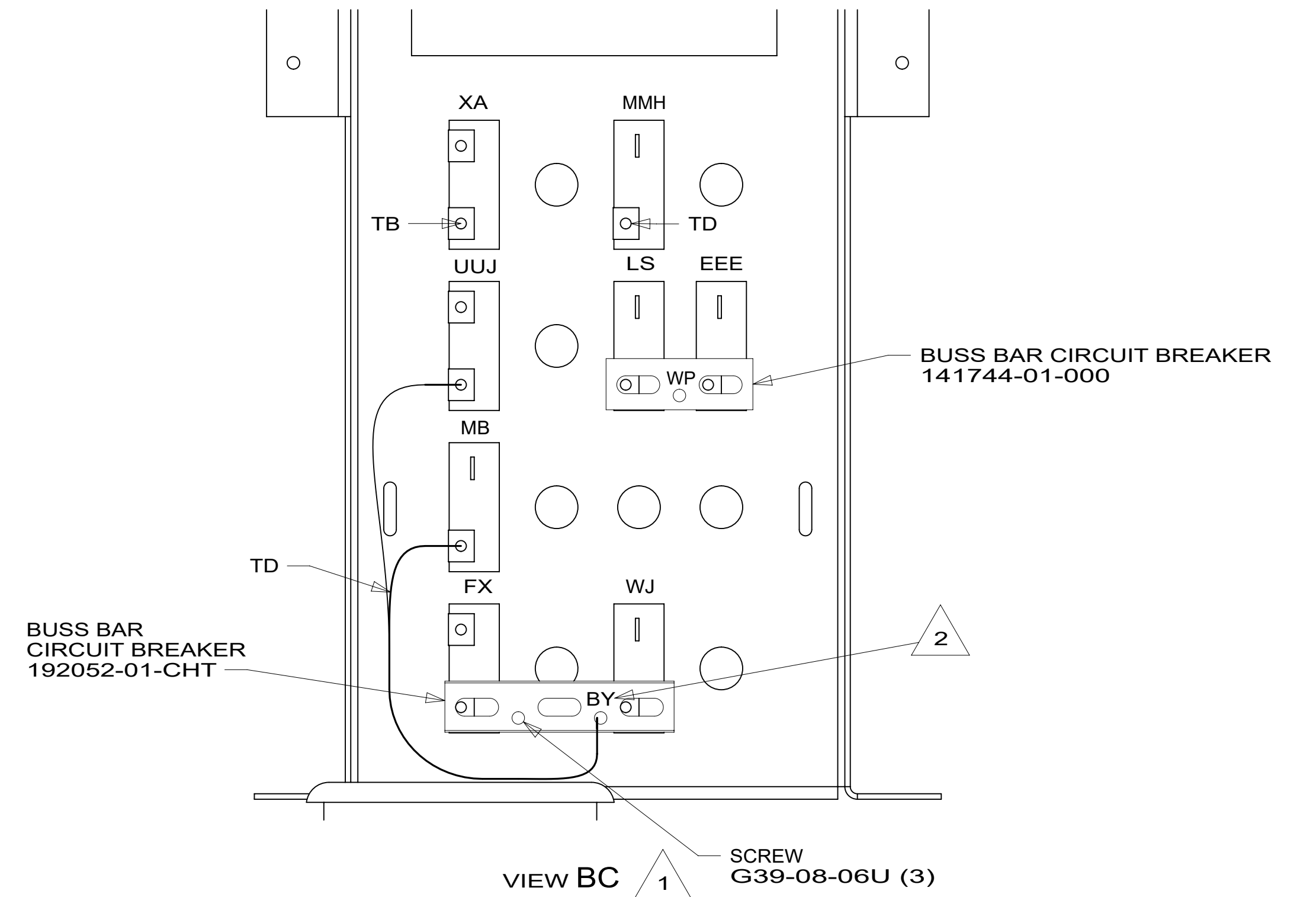
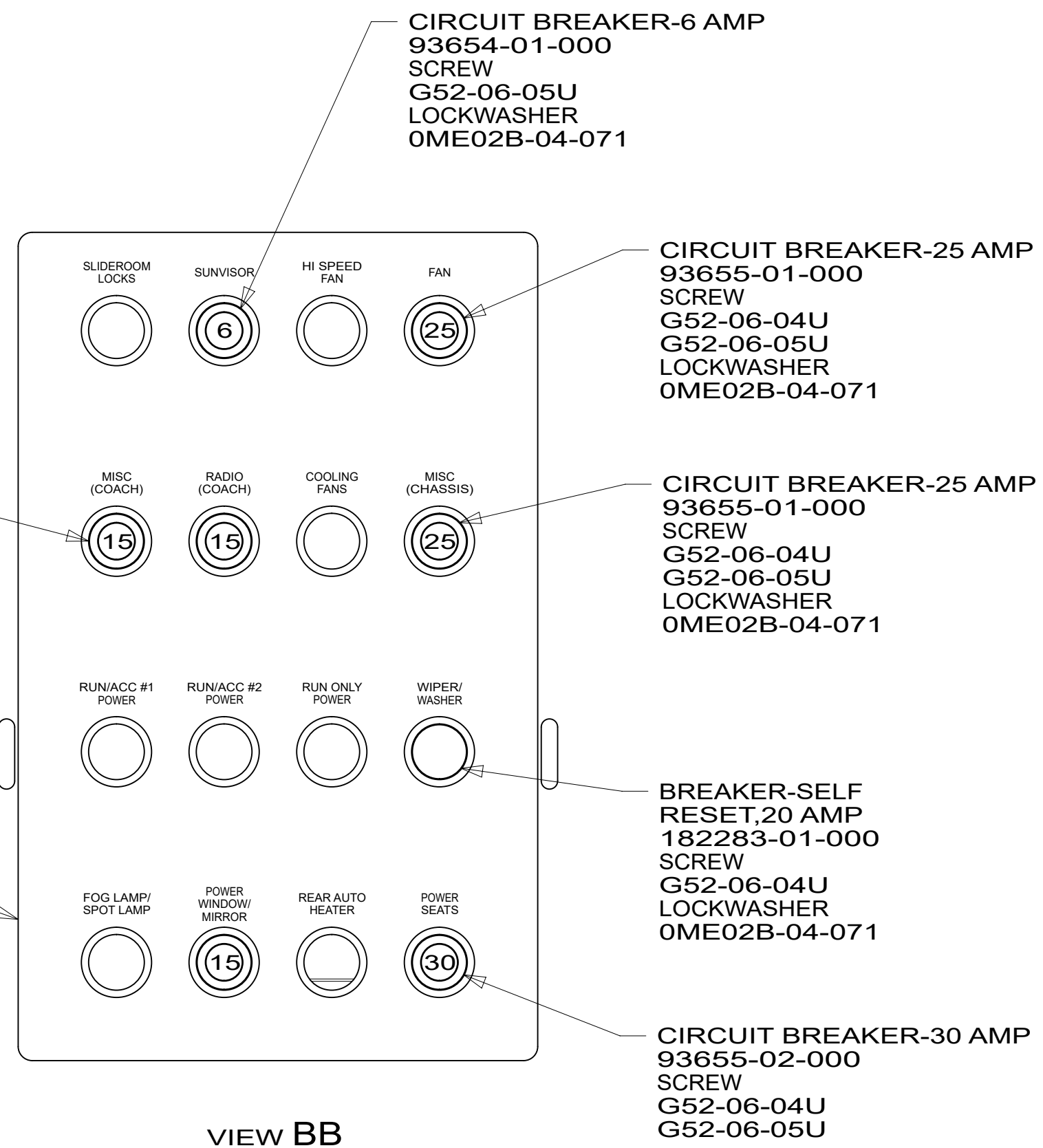
FOR ELECTRICAL CALLOUTS SEE DWG 000228177 344479-01-000

BREAKER PANEL  
DETAIL BA

FEMALE TERMINALS  
TO JACKS DOWN LAMP

EA

8 7 6 5 4 3 2 1



2 CIRCUIT IS PART OF WIRE ASM-CHASSIS.  
1 ALL CIRCUITS ARE IN WIRE ASM-IP, MAIN UNLESS OTHERWISE NOTED.

FOR ELECTRICAL TORQUE SPECIFICATIONS SEE DWG NO. 128783-01-000

FOR ELECTRICAL CALLOUTS SEE DWG 000228177 344479-01-000

265	CODES/STANDARDS-CSA/CMVSS
1B1	CODES/STANDARDS USA
1B1	265
DESCRIPTION: <b>WIRING INSTL-FRONT END</b>	
SHEET: 2 OF 9	ITEM/PART NO: 000207485 / 33923901000
REV	

8 7 6 5 4 3 2 1 25-May-2022

8 7 6 5 4 3 2 1

2 3 LIGHT ASM-INDICATOR,RED  
190682-01-000  
LABEL-JACKS DOWN  
133533-01-CHT

RELAY  
63912-02-000 (3)  
SCREW  
G11-08-08U (3)

DETAIL DA

PIN HSG  
TO WIRE ASM-HEADLAMP

PLATE-HAZARD SWITCH  
000207495 / 339561-01-CHT  
RIVET  
G16-04-04R (2)

FORD DIAGNOSTIC CONNECTOR  
NUT-SPEED  
40921-03-000  
SCREW  
G11-10-10U (2)

DETAIL DB

DETAIL CA

- NOTES:
- 3 WIRING FROM LEVELING SYSTEM. SEE LEVELING SYSTEM INSTL FOR ADDITIONAL INFORMATION.
  - 2 CONNECT POSITIVE WIRE TO TERMINAL MARKED WITH "RED".
  - 1 CHASSIS SUPPLIED. REMOVE FROM TEMPORARY SHIPPING LOCATION AND MOUNT TO LOWER DASH SUPPORT.

265 CODES/STANDARDS-CSA/CMVSS

1B1 CODES/STANDARDS USA

1B1 265

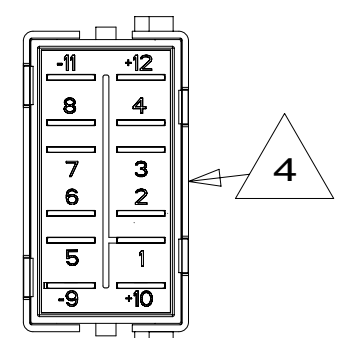
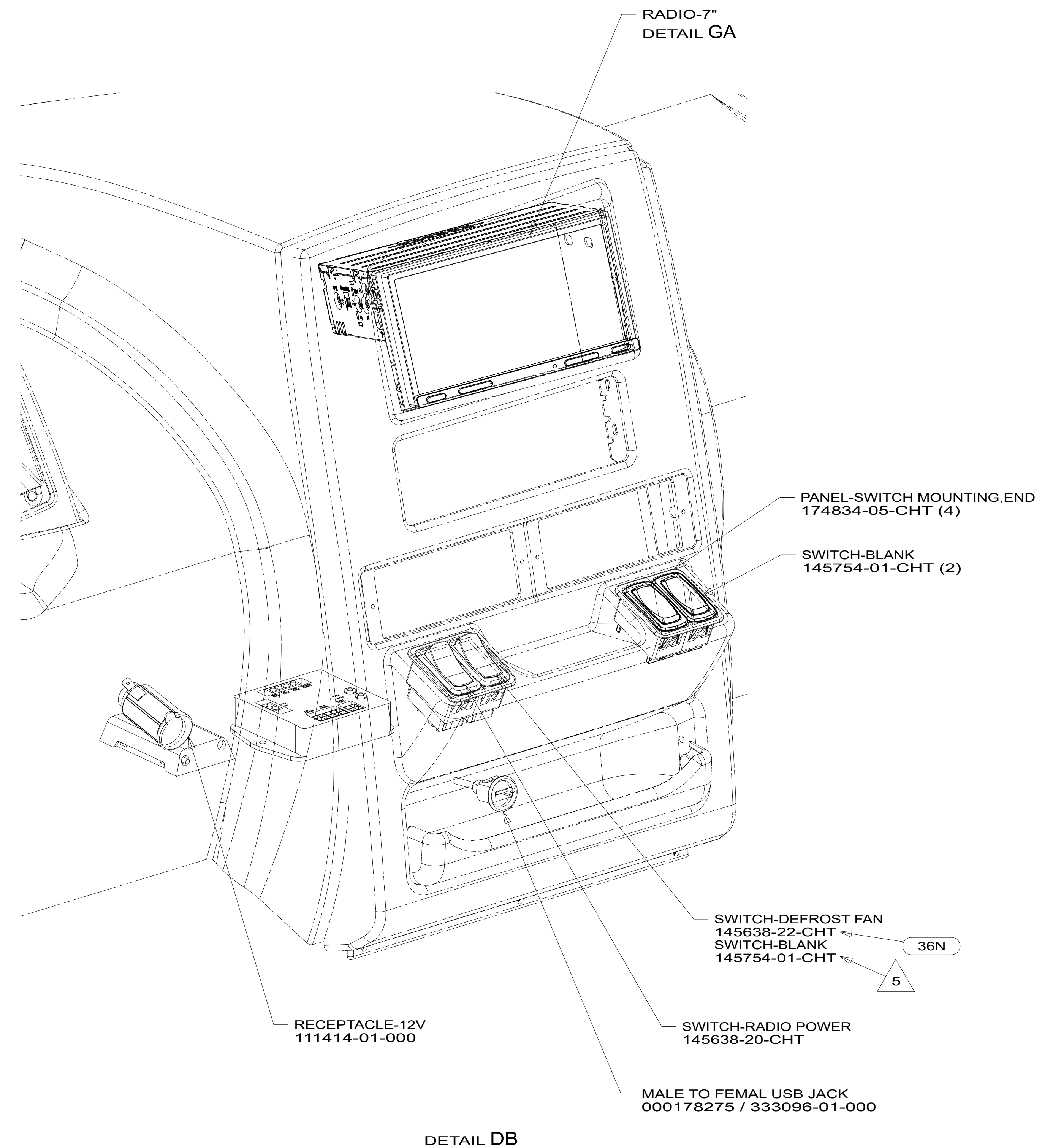
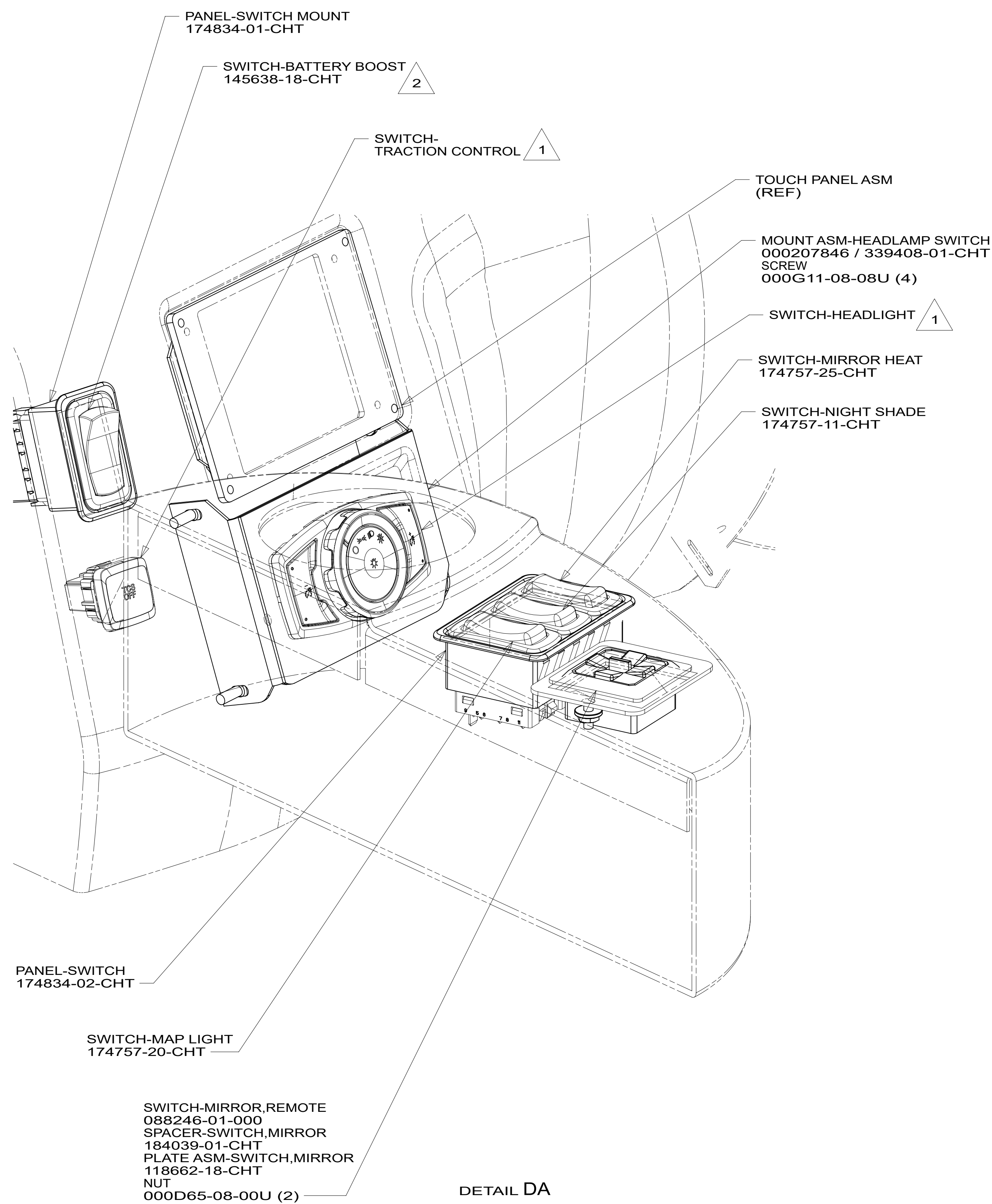
FOR ELECTRICAL TORQUE SPECIFICATIONS SEE DWG NO. 128783-01-000

FOR ELECTRICAL CALLOUTS SEE DWG 000228177 344479-01-000

DESCRIPTION:  
**WIRING INSTL-FRONT END**

SHEET: 3 OF 9 ITEM/PART NO: 000207485 / 33923901000 REV

8 7 6 5 4 3 2 1 25-May-2022



- NOTES:
- 5 WITHOUT 36N
  - 4 WITH SWITCH INSTALLED THIS SIDE OF SWITCH WILL FACE LEFT SIDEWALL.
  - 3 DETAIL IS LOOKING AT SWITCH FROM THE BACK SIDE OF SWITCH AS ITS INSTALLED.
  - 2 SEE DETAIL DC FOR ORIENTATION.
  - 1 CHASSIS SUPPLIED.

FOR ELECTRICAL TORQUE SPECIFICATIONS SEE DWG NO. 128783-01-000

FOR ELECTRICAL CALLOUTS SEE DWG 000228177 344479-01-000

- 36N FANS-DEFROSTER, AUXILIARY
- 265 CODES/STANDARDS-CSA/CMVSS
- 1B1 CODES/STANDARDS USA

DESCRIPTION:		1B1 265
<b>WIRING INSTL-FRONT END</b>		
SHEET:	ITEM/PART NO.:	REV:
4 OF 9	000207485 / 33923901000	

8

7

6

5

4

3

2

1

D

D

C

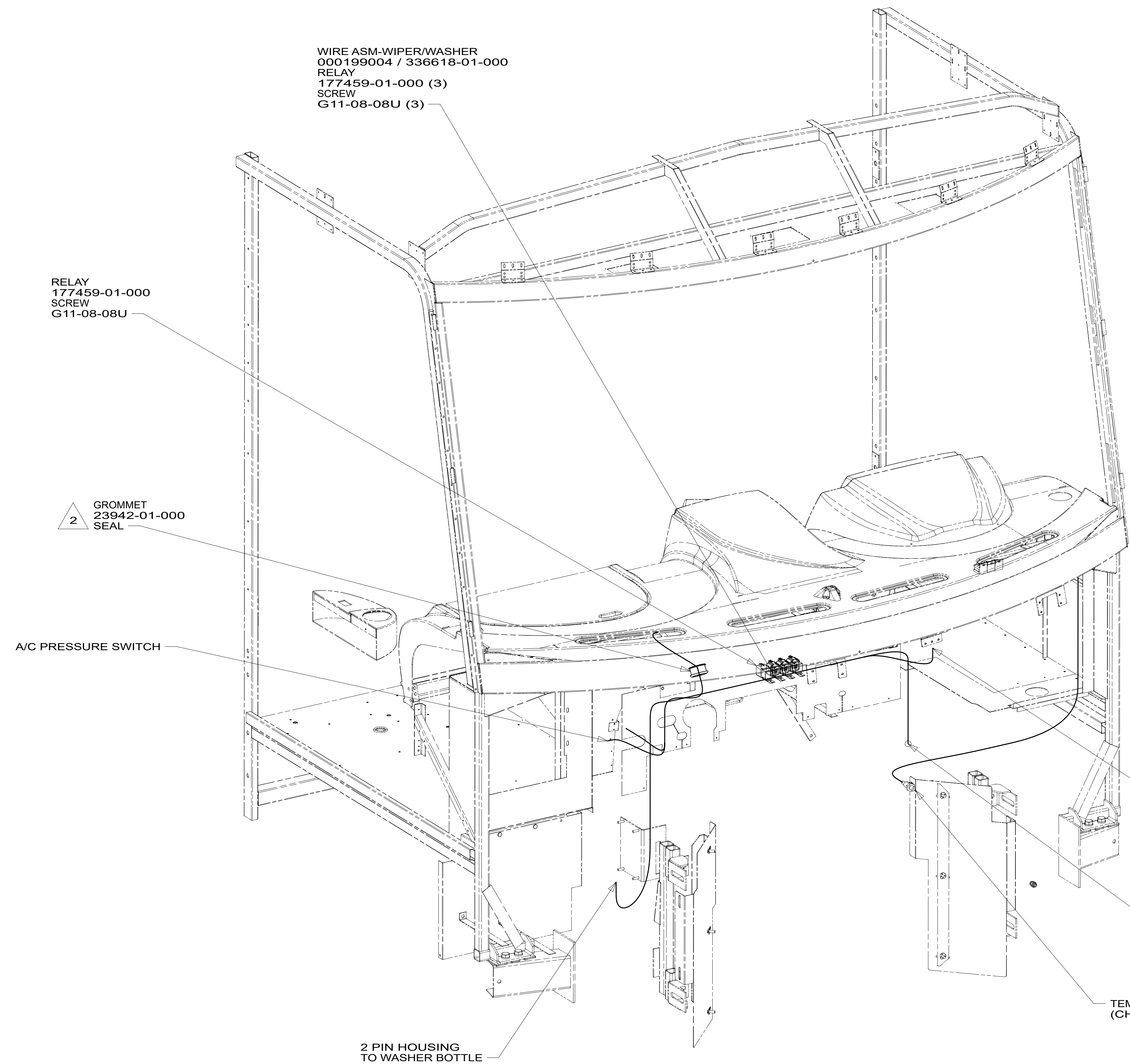
C

B

B

A

A



WIRE ASM-WIPER/WASHER  
 000199004 / 336618-01-000  
 RELAY  
 177459-01-000 (3)  
 SCREW  
 G11-08-08U (3)

RELAY  
 177459-01-000  
 SCREW  
 G11-08-08U

2 GROMMET  
 23942-01-000  
 SEAL

A/C PRESSURE SWITCH

2 PIN HOUSING  
 TO WASHER BOTTLE

5 PIN HSG  
 TO WIPER MOTOR

CHASSIS HSG  
 TO CHASSIS WIPER  
 CONNECTION

TEMP SENSOR  
 (CHASSIS SUPPLIED)

DETAIL EA

2 ROUTE WIRES THROUGH HOLE IN STEEL.

1. GATHER ALL EXCESS WIRE AFTER MAKING ALL CONNECTIONS.  
 BUNDLE AND SECURE WITH WIRE TIE 8343-01-000 OR 93147-01-000.

NOTES:

FOR ELECTRICAL  
 TORQUE  
 SPECIFICATIONS  
 SEE DWG NO.  
 128783-01-000

FOR ELECTRICAL  
 CALLOUTS SEE  
 DWG 000228177  
 344479-01-000

265 CODES/STANDARDS-CSA/CMVSS  
 1B1 CODES/STANDARDS USA

1B1 265

DESCRIPTION:  
**WIRING INSTL-FRONT END**

SHEET: 5 OF 9 ITEM/PART NO: 000207485 / 33923901000 REV

8

7

6

5

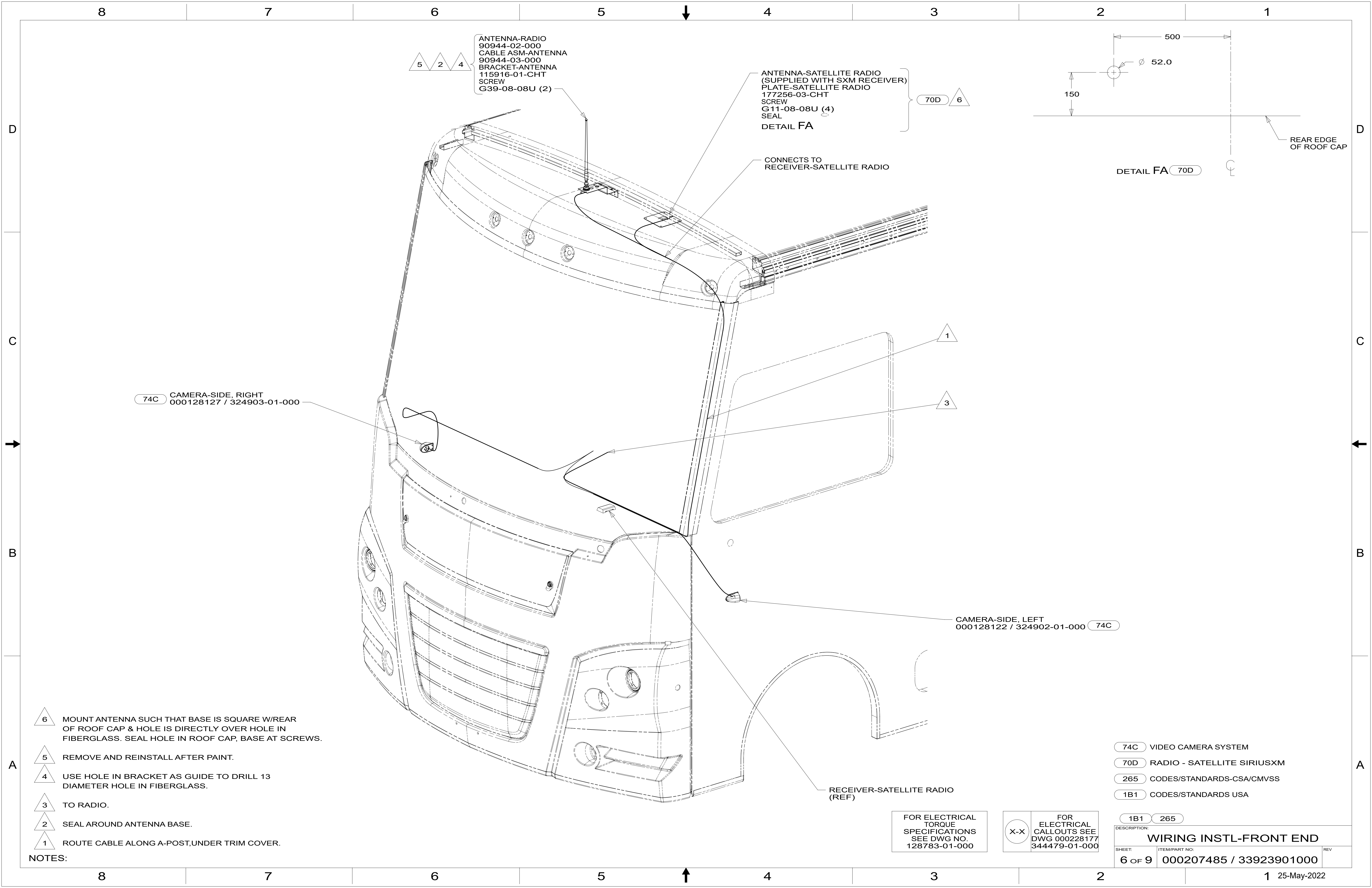
4

3

2

1

25-May-2022



ANTENNA-RADIO  
 90944-02-000  
 CABLE ASM-ANTENNA  
 90944-03-000  
 BRACKET-ANTENNA  
 115916-01-CHT  
 SCREW  
 G39-08-08U (2)

ANTENNA-SATELLITE RADIO  
 (SUPPLIED WITH SXM RECEIVER)  
 PLATE-SATELLITE RADIO  
 177256-03-CHT  
 SCREW  
 G11-08-08U (4)  
 SEAL  
 DETAIL FA

CONNECTS TO  
 RECEIVER-SATELLITE RADIO

74C CAMERA-SIDE, RIGHT  
 000128127 / 324903-01-000

CAMERA-SIDE, LEFT  
 000128122 / 324902-01-000 74C

RECEIVER-SATELLITE RADIO  
 (REF)

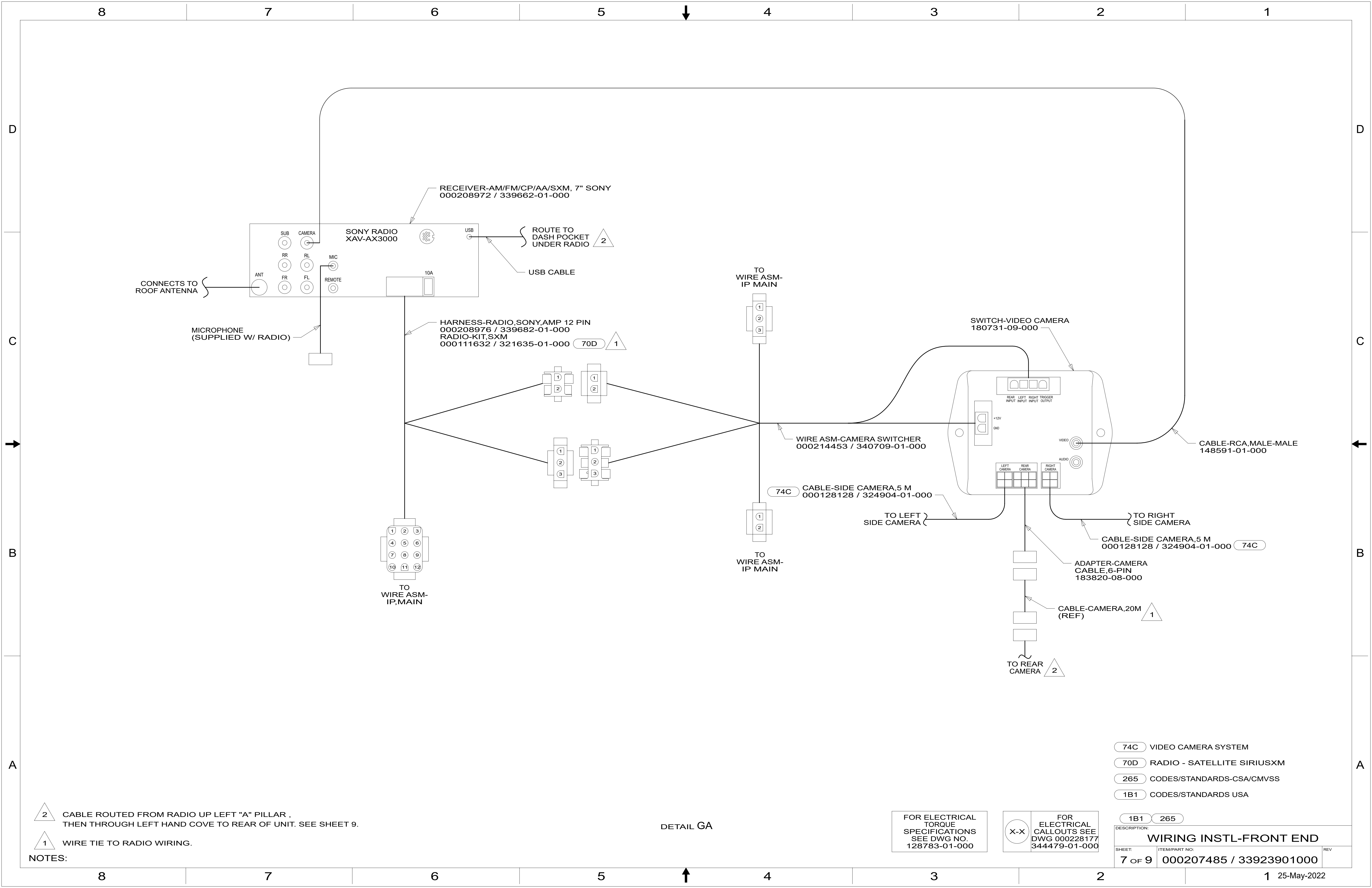
- NOTES:
- 6 MOUNT ANTENNA SUCH THAT BASE IS SQUARE W/REAR OF ROOF CAP & HOLE IS DIRECTLY OVER HOLE IN FIBERGLASS. SEAL HOLE IN ROOF CAP, BASE AT SCREWS.
  - 5 REMOVE AND REINSTALL AFTER PAINT.
  - 4 USE HOLE IN BRACKET AS GUIDE TO DRILL 13 DIAMETER HOLE IN FIBERGLASS.
  - 3 TO RADIO.
  - 2 SEAL AROUND ANTENNA BASE.
  - 1 ROUTE CABLE ALONG A-POST, UNDER TRIM COVER.

FOR ELECTRICAL  
 TORQUE  
 SPECIFICATIONS  
 SEE DWG NO.  
 128783-01-000

FOR ELECTRICAL  
 CALLOUTS SEE  
 DWG 000228177  
 344479-01-000

- 74C VIDEO CAMERA SYSTEM
- 70D RADIO - SATELLITE SIRIUSXM
- 265 CODES/STANDARDS-CSA/CMVSS
- 1B1 CODES/STANDARDS USA

DESCRIPTION:		1B1 265
<b>WIRING INSTL-FRONT END</b>		
SHEET:	ITEM/PART NO.:	REV:
6 OF 9	000207485 / 33923901000	



**2** CABLE ROUTED FROM RADIO UP LEFT "A" PILLAR, THEN THROUGH LEFT HAND COVE TO REAR OF UNIT. SEE SHEET 9.

**1** WIRE TIE TO RADIO WIRING.

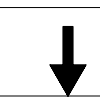
DETAIL GA

FOR ELECTRICAL TORQUE SPECIFICATIONS SEE DWG NO. 128783-01-000

FOR ELECTRICAL CALLOUTS SEE DWG 000228177 344479-01-000

<b>74C</b>	VIDEO CAMERA SYSTEM
<b>70D</b>	RADIO - SATELLITE SIRIUSXM
<b>265</b>	CODES/STANDARDS-CSA/CMVSS
<b>1B1</b>	CODES/STANDARDS USA
<b>1B1</b>	<b>265</b>
<b>DESCRIPTION:</b>	
<b>WIRING INSTL-FRONT END</b>	
<b>SHEET:</b>	<b>ITEM/PART NO.:</b>
7 OF 9	000207485 / 33923901000
<b>REV</b>	
1 25-May-2022	

8 7 6 5 4 3 2 1



D

C

B

A

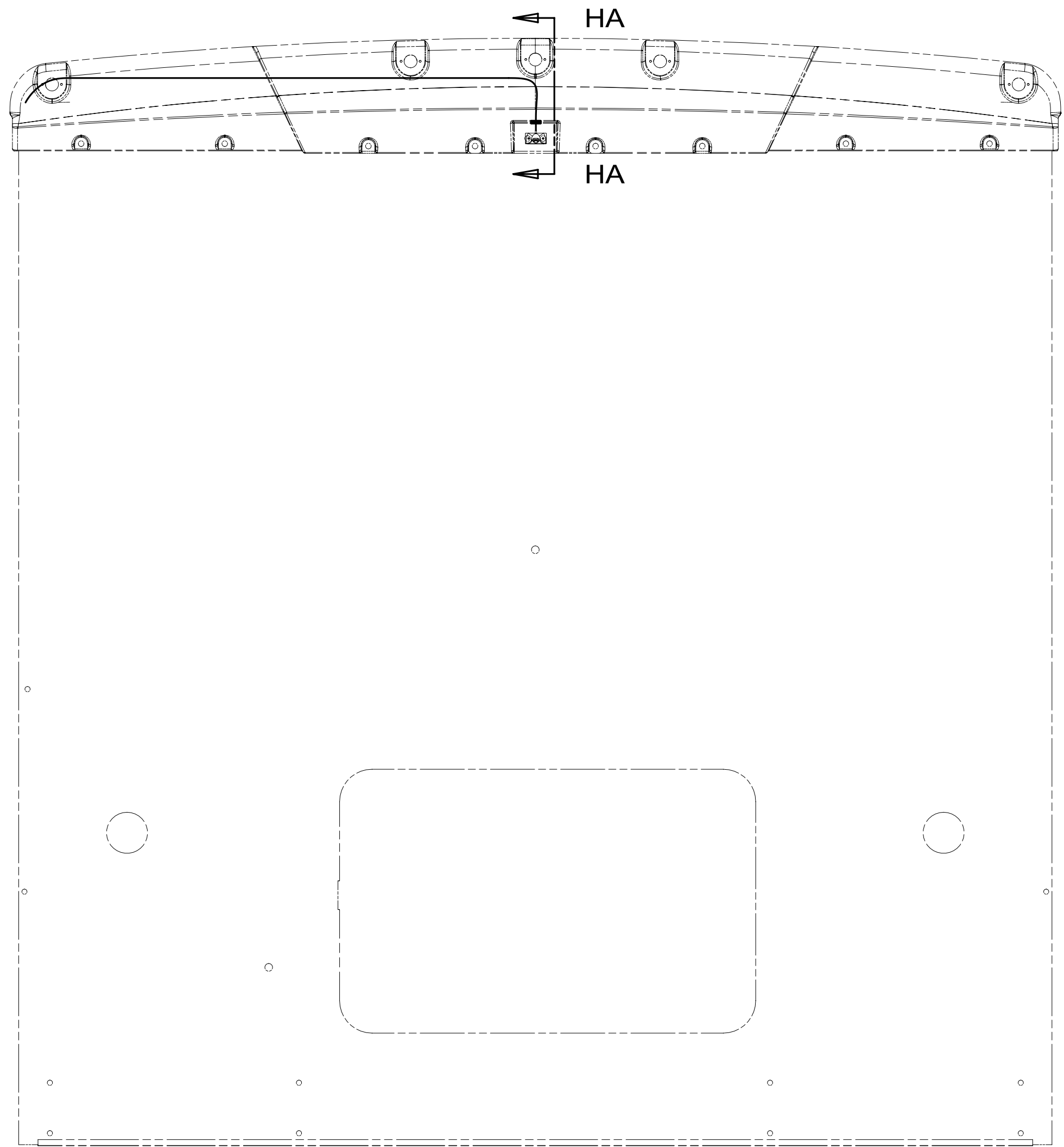
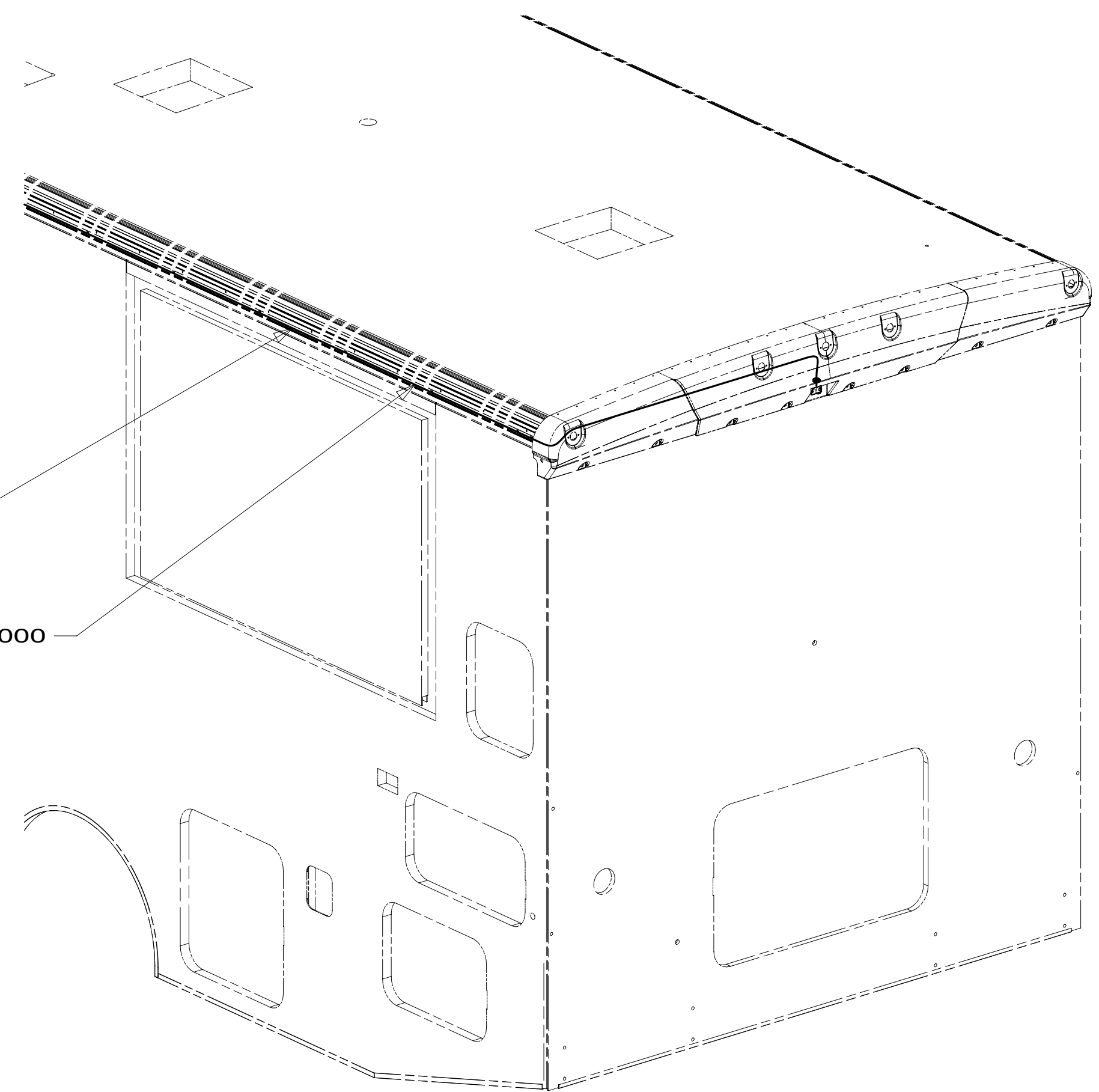
D

C

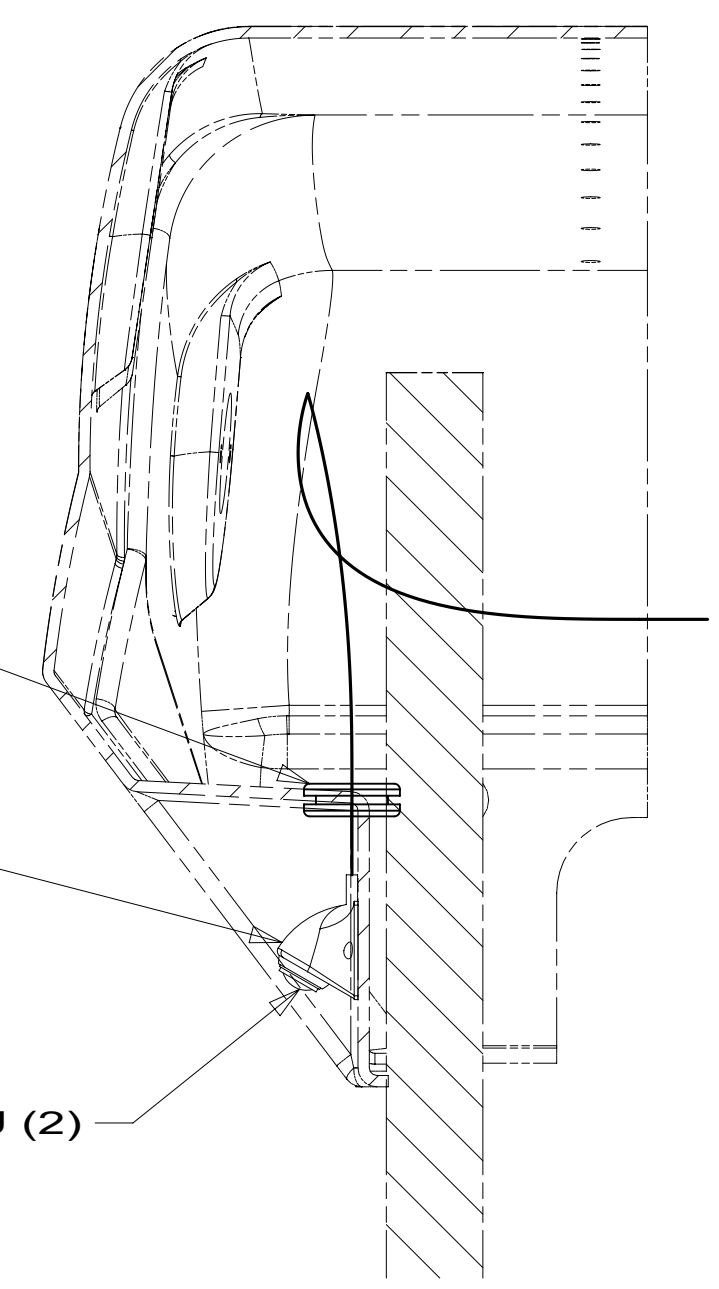
B

A

ROUTE CABLE DOWN  
LEFT A-PILLAR  
  
CABLE-CAMERA, REAR  
000208329 / 339538-01-000



GROMMET  
071015-13-000  
  
CAMERA-REAR, CMOS, NTSC/PAL  
000205582 / 338715-01-000  
  
SCREW  
G67-06-10U (2)



SECTION HA-HA

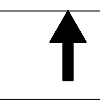
FOR ELECTRICAL  
TORQUE  
SPECIFICATIONS  
SEE DWG NO.  
128783-01-000

FOR  
ELECTRICAL  
CALLOUTS SEE  
DWG 000228177  
344479-01-000

265 CODES/STANDARDS-CSA/CMVSS  
1B1 CODES/STANDARDS USA

1B1 265	
DESCRIPTION: <b>WIRING INSTL-FRONT END</b>	
SHEET: 8 OF 9	ITEM/PART NO: 000207485 / 33923901000
REV	

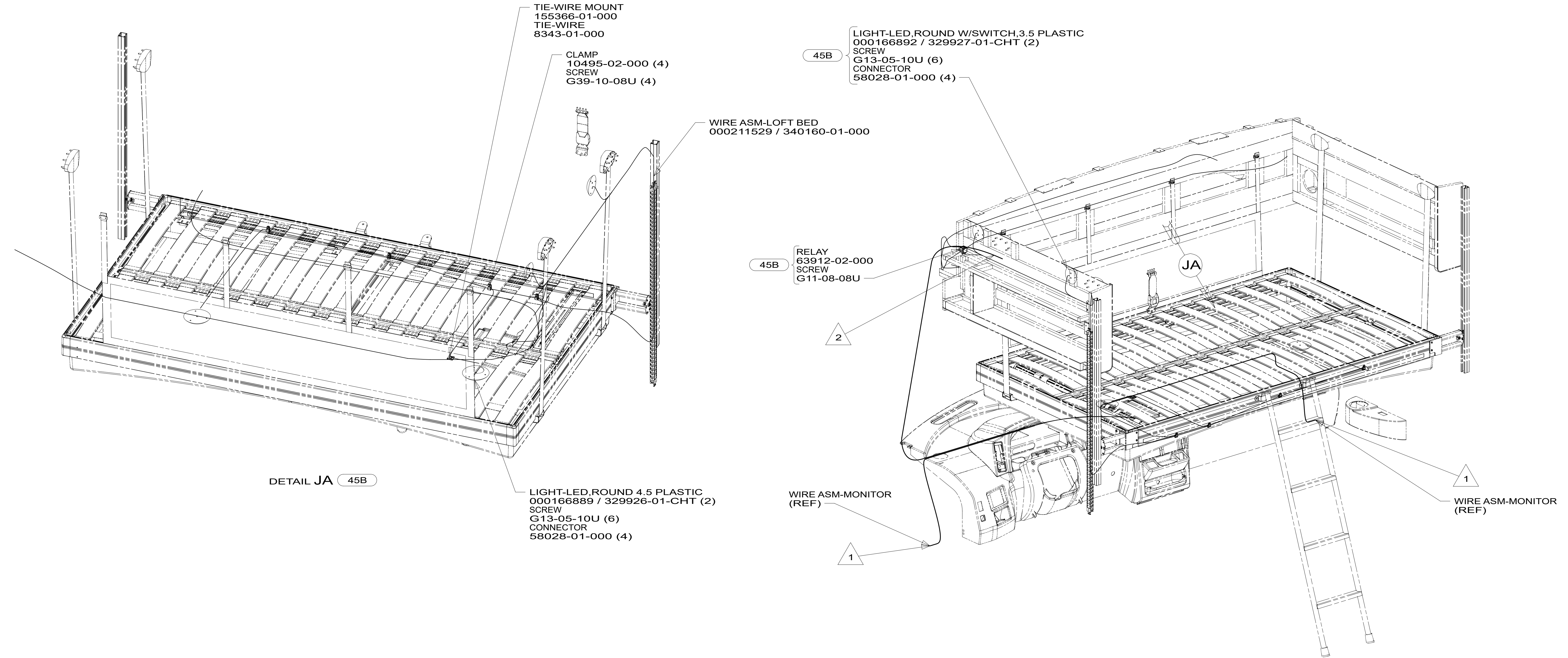
8 7 6 5 4 3 2 1 25-May-2022





8 7 6 5 4 3 2 1

D  
C  
B  
A



- NOTES:
- 2 RUN CABLE THRU LEFT-HAND COVE TO REAR OF UNIT. SEE SHEET 9.
  - 1 CONNECT CAMERA THRU HOLE IN SIDEWALL, PUSH CONNECTOR BACK THRU SIDEWALL, AND SEAL HOLE.

FOR ELECTRICAL TORQUE SPECIFICATIONS SEE DWG NO. 128783-01-000

FOR ELECTRICAL CALLOUTS SEE DWG 000228177 344479-01-000

- 45B LOFT BED
- 265 CODES/STANDARDS-CSA/CMVSS
- 1B1 CODES/STANDARDS USA

DESCRIPTION:	
<b>WIRING INSTL-FRONT END</b>	
SHEET:	ITEM/PART NO.:
9 OF 9	000207485 / 33923901000
REV	

8 7 6 5 4 3 2 1 25-May-2022