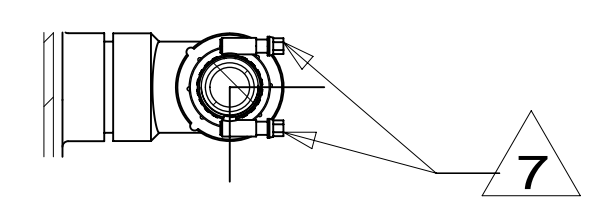


12. USE PROVIDED FITTING 1206R(1" 25MM-BARBED STRAIGHT PORT).
11. REMOVE O-RING IN CAP. SEE DETAIL AC.
10. REMOVE FILTER. SEE DETAIL AB.
9. APPLY SEALANT-THREAD COMPOUND 084456-01-000.
8. TORQUE FASTENER TO 20±2 IN-LBS.
7. TIGHTENING POINT ON THE CLAMPS SHOULD BE AT LEAST 90-270 DEGREES AWAY FROM EACH OTHER. SEE SECTION AA.
6. VENT PIPE MUST PROJECT 51 MIN AND 64 MAX ABOVE ROOF FOR PROPER FIT AND FUNCTION.
5. SEAL AROUND SHOWER WITH SILICONE.
4. SECURE DRAINAGE PIPES TO CABINET USING WIRE TIE 108046-02-000, AND SCREW 000G67-10-12U AT INTERVALS OF NOT MORE THAN 4 FEET APART.
3. ALL PIPE AND FITTINGS TO BE ASSEMBLED WITH SOLVENT 004020-01-000 (USA), 004020-02-000 (CAN)
2. SLOPE OF TRAP ARM MUST BE 6 PER 305 mm.
1. SLOPE OF HORIZONTAL PIPING TO BE MINIMUM OF 3 PER 305 mm.

NOTES:

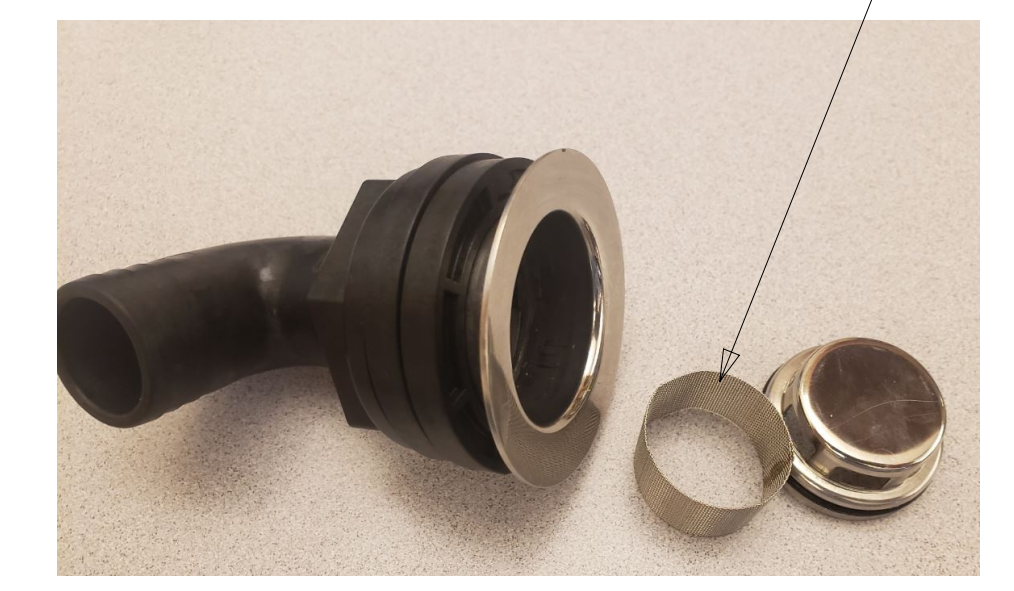


SECTION AA-AA



DETAIL AC

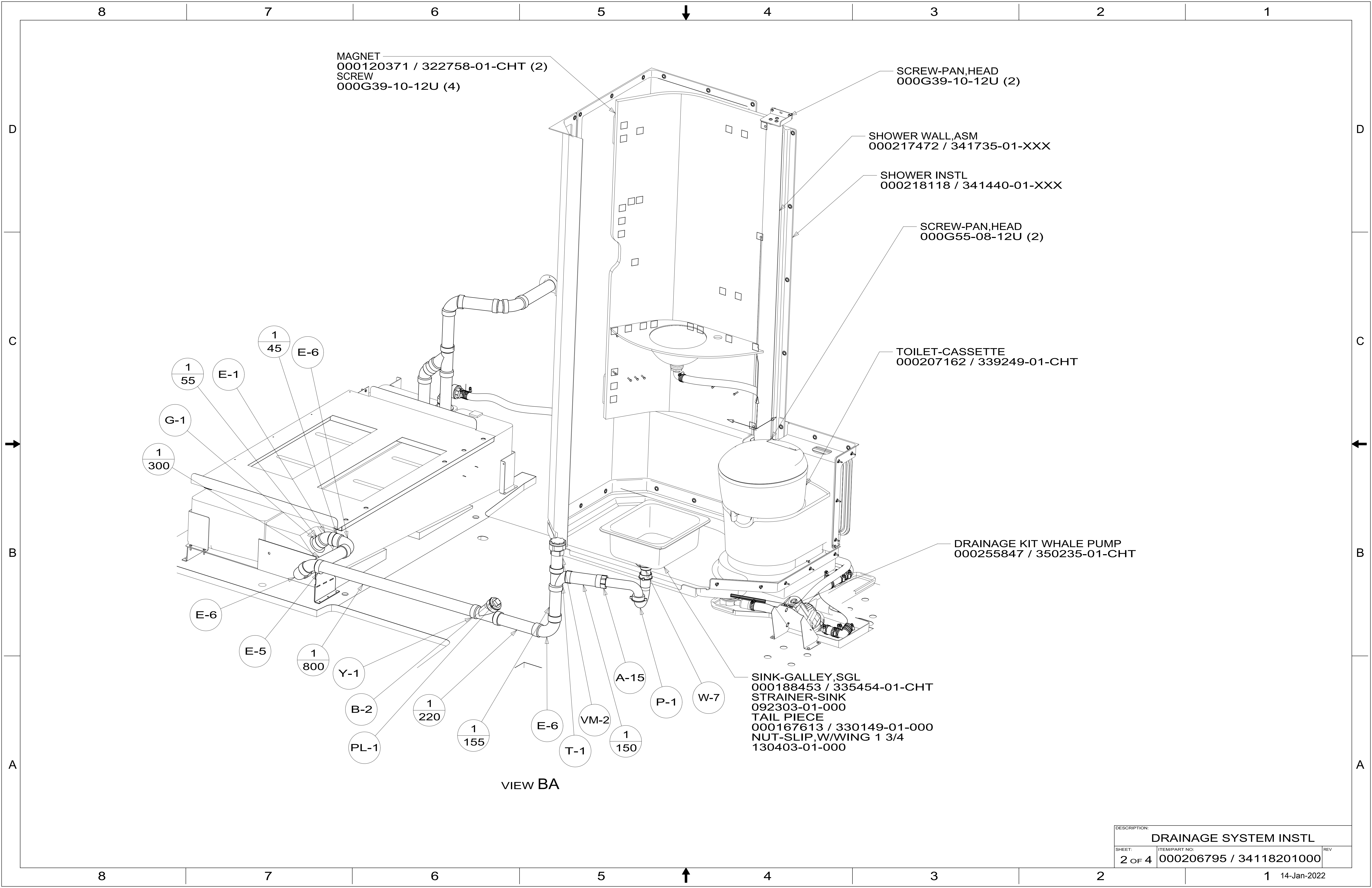
DETAIL DC



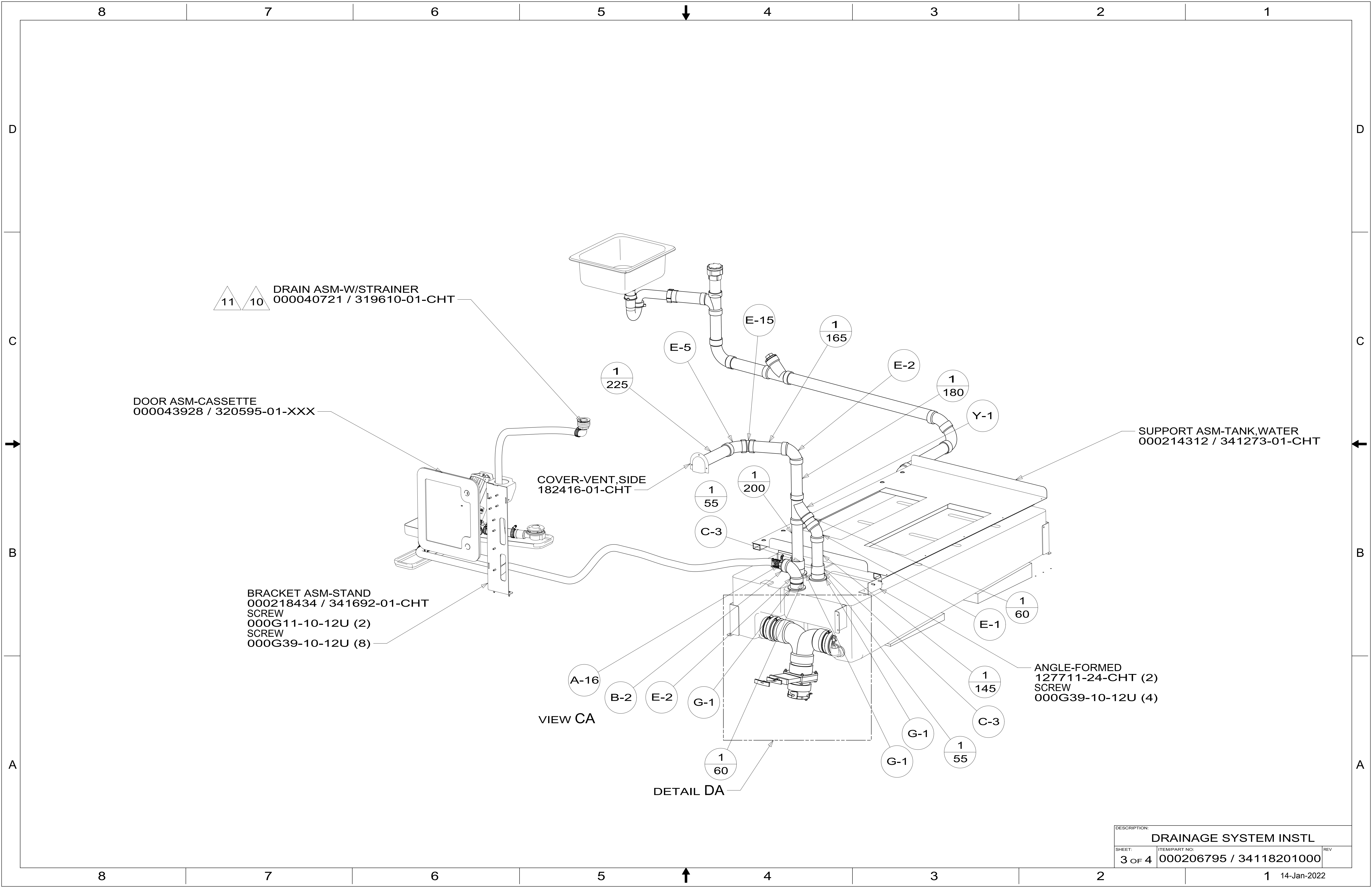
DETAIL AB

FOR DRAINAGE CALLOUTS SEE DWG NO. 000211962 / 303370-01-000

<b>WINNEBAGO</b> COPYRIGHT 2019 WINNEBAGO INDUSTRIES, INC.		ALL DIMENSIONS ARE IN MILLIMETERS	
DSNR:		MATERIAL:	
DFTR:		WEIGHT: (LBS)	FIRST USED: (REF)
UNSPECIFIED TOLERANCES:			
WHOLE DIM (X)	3		
ONE-PLACE (X.X)	1.5		
TWO-PLACE (X.XX)	0.50		
ANGLE	1°		
REFER TO ES0018 FOR FASTENER TIGHTENING GUIDELINES			21 622A
<b>DRAINAGE SYSTEM INSTL</b>			
SHEET: 1 OF 4	ITEM/PART NO: 000206795 / 34118201000	REV:	
REF:		1 14-Jan-2022	



DESCRIPTION:		
DRAINAGE SYSTEM INSTL		
SHEET:	ITEM/PART NO:	REV
2 OF 4	000206795 / 34118201000	



11 10  
 DRAIN ASM-W/STRAINER  
 000040721 / 319610-01-CHT

DOOR ASM-CASSETTE  
 000043928 / 320595-01-XXX

BRACKET ASM-STAND  
 000218434 / 341692-01-CHT  
 SCREW  
 000G11-10-12U (2)  
 SCREW  
 000G39-10-12U (8)

COVER-VENT, SIDE  
 182416-01-CHT

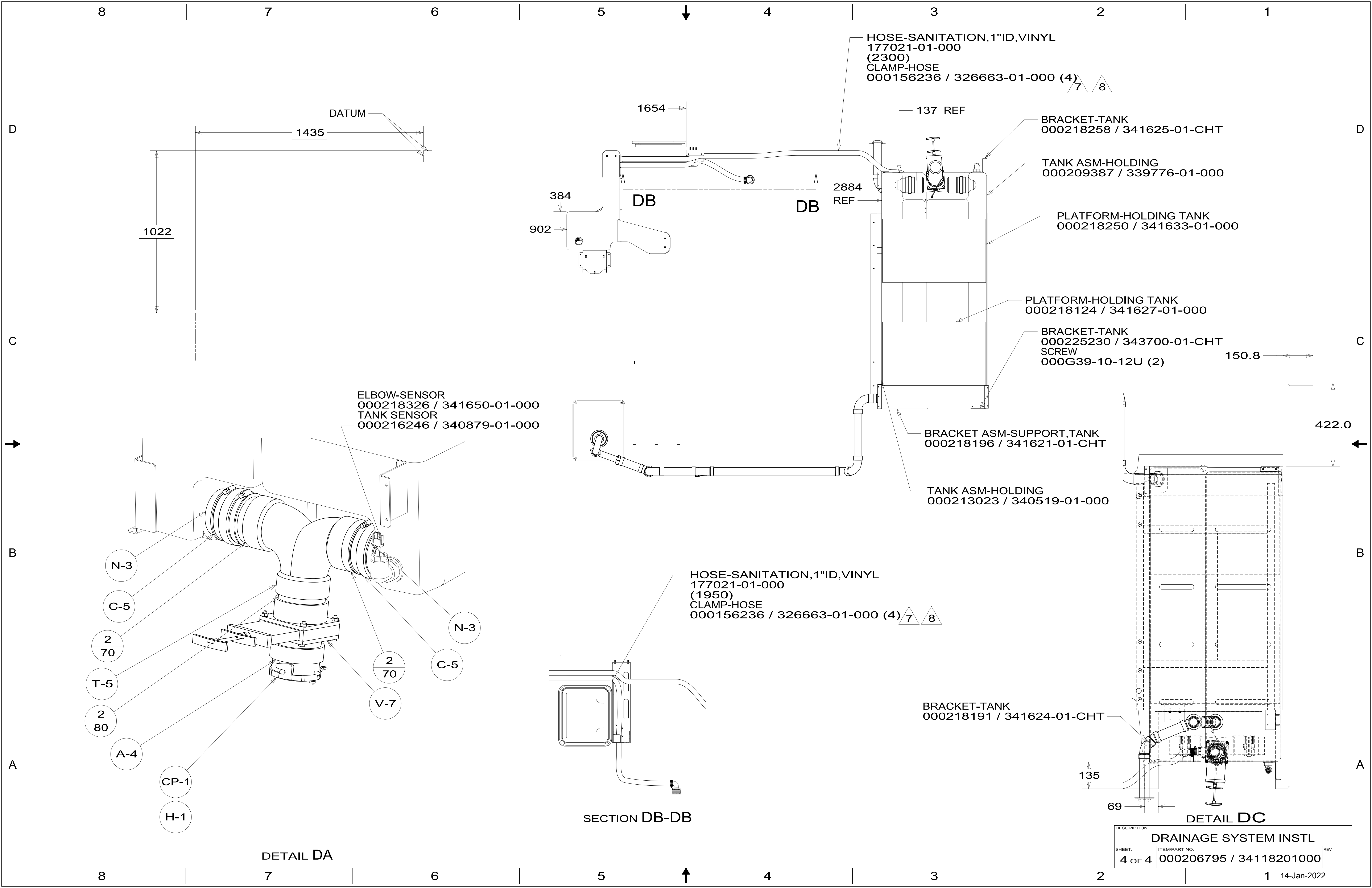
SUPPORT ASM-TANK, WATER  
 000214312 / 341273-01-CHT

ANGLE-FORMED  
 127711-24-CHT (2)  
 SCREW  
 000G39-10-12U (4)

VIEW CA

DETAIL DA

DESCRIPTION: <b>DRAINAGE SYSTEM INSTL</b>		
SHEET: 3 OF 4	ITEM/PART NO: 000206795 / 34118201000	REV
		14-Jan-2022



HOSE-SANITATION, 1"ID, VINYL  
 177021-01-000  
 (2300)  
 CLAMP-HOSE  
 000156236 / 326663-01-000 (4)  $\triangle_7$   $\triangle_8$

BRACKET-TANK  
 000218258 / 341625-01-CHT

TANK ASM-HOLDING  
 000209387 / 339776-01-000

PLATFORM-HOLDING TANK  
 000218250 / 341633-01-000

PLATFORM-HOLDING TANK  
 000218124 / 341627-01-000

BRACKET-TANK  
 000225230 / 343700-01-CHT  
 SCREW  
 000G39-10-12U (2)

BRACKET ASM-SUPPORT, TANK  
 000218196 / 341621-01-CHT

TANK ASM-HOLDING  
 000213023 / 340519-01-000

BRACKET-TANK  
 000218191 / 341624-01-CHT

HOSE-SANITATION, 1"ID, VINYL  
 177021-01-000  
 (1950)  
 CLAMP-HOSE  
 000156236 / 326663-01-000 (4)  $\triangle_7$   $\triangle_8$

DATUM

1435

1022

ELBOW-SENSOR  
 000218326 / 341650-01-000  
 TANK SENSOR  
 000216246 / 340879-01-000

SECTION DB-DB

DETAIL DC

DETAIL DA

DESCRIPTION: <b>DRAINAGE SYSTEM INSTL</b>		
SHEET: 4 OF 4	ITEM/PART NO: 000206795 / 34118201000	REV