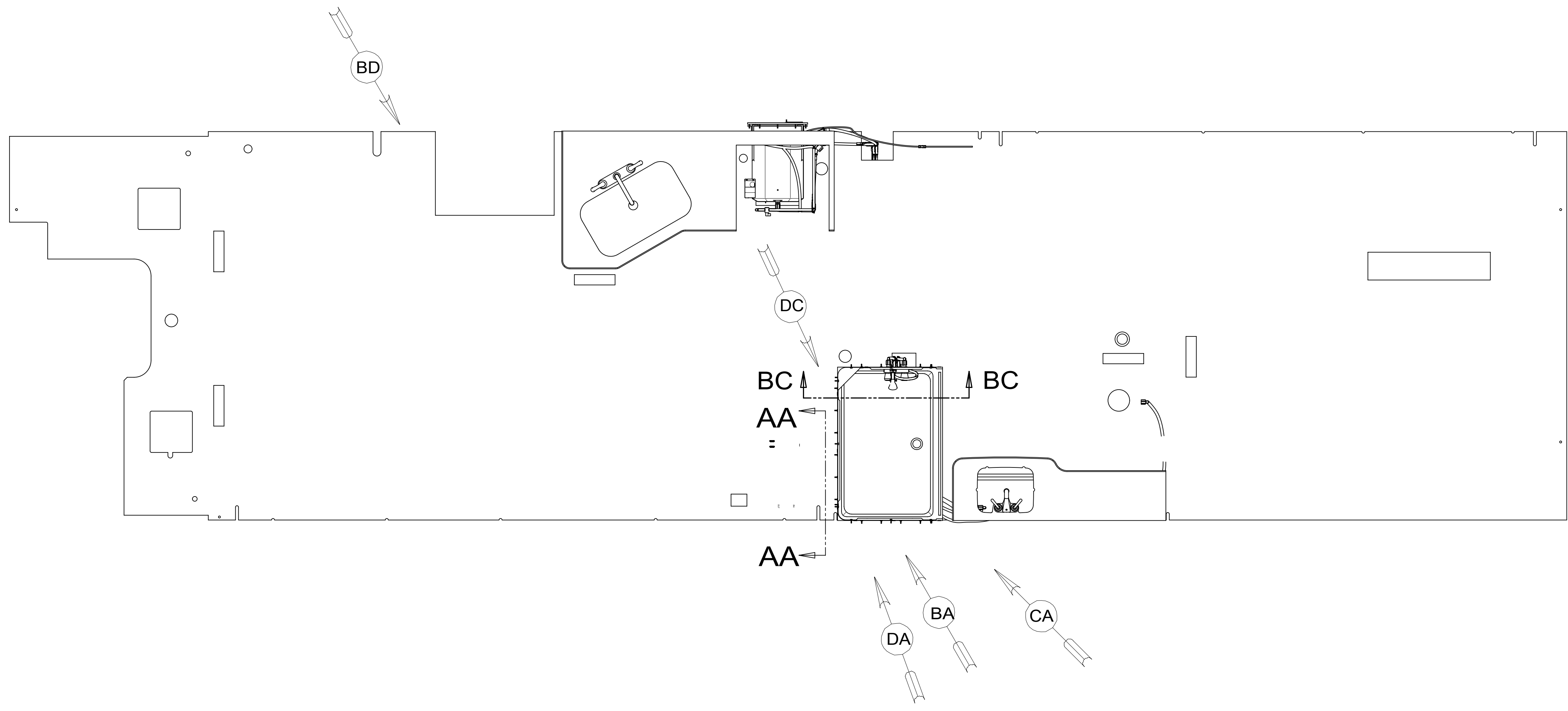


8 7 6 5 4 3 2 1

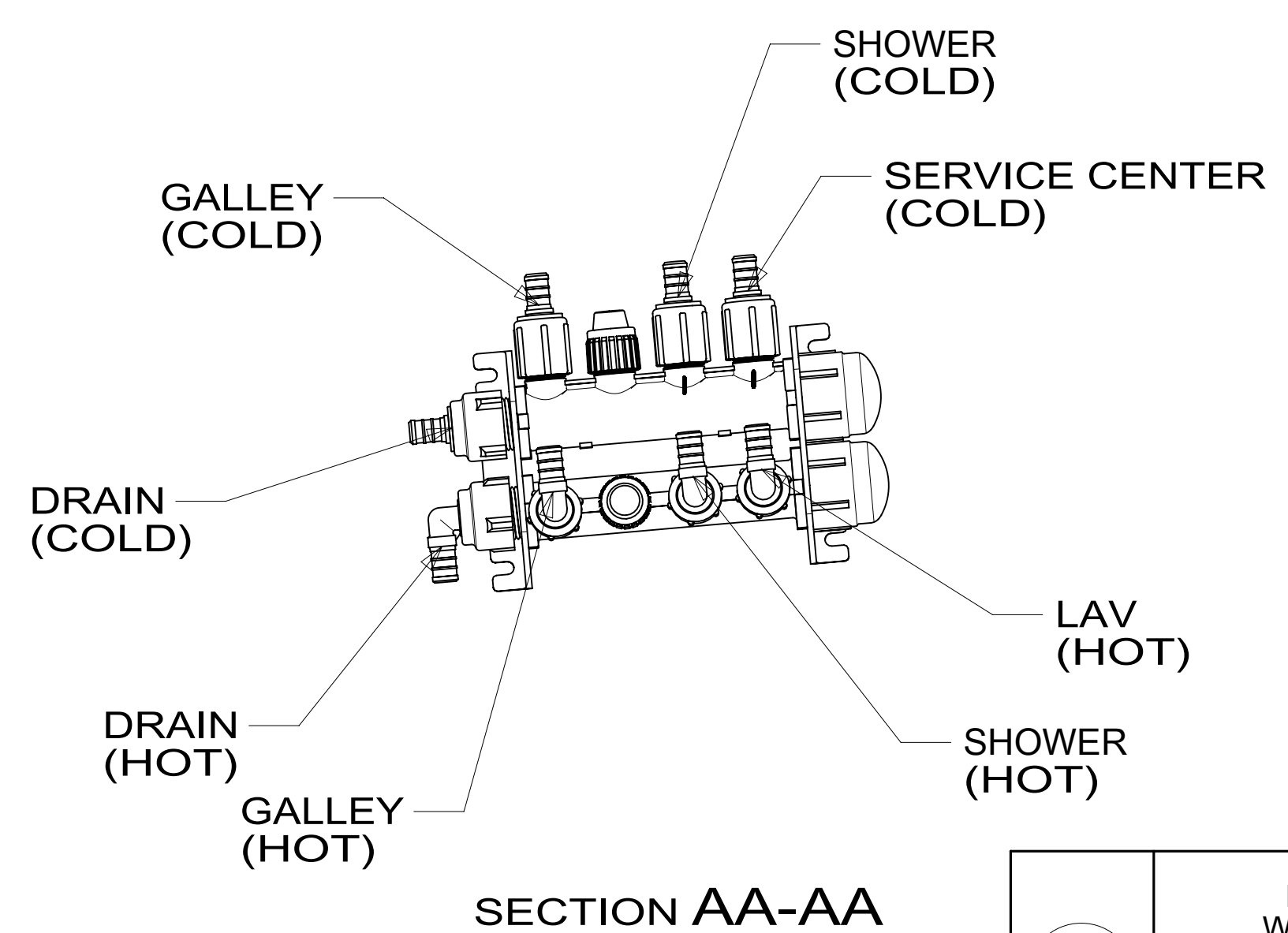
D
C
B
A

D
C
B
A



- 10. FASTEN PLATFORM TO FLOOR AFTER SIDEWALL IS SET AND HEATER IS ATTACHED TO WALL.
- 9. ALL CRIMP FITTINGS TO 3/4" PEX TUBING REQUIRE 3/4" CLAMP 000156247 / 326668-01-000.
- 8. ALL CRIMP FITTINGS TO 1/2" PEX TUBING REQUIRE 1/2" CLAMP 000156249 / 326670-01-000.
- 7. ALL CRIMP FITTINGS TO 5/8" FLEX TUBING REQUIRE 5/8" CLAMP 000156248 / 326669-01-000.
- 6. LABEL HOT AND COLD SUPPLY TUBES AND TAPE FITTING TO TUBE BEFORE CABINET SET TO PREVENT MOVEMENT.
- 5. ADD PIPE WRAP (LADDER SCRAP 110157-02-000) INSULATION.
- 4. ADD TEFLON TAPE 010405-02-000.
- 3. ALL TUBING TO BE SECURED AT 1200 INTERVALS MAXIMUM WITH CLAMP 010495-01-000 AND SCREW 000G67-10-12U OR EQUIVALENT.
- 2. TUBING TO BE INSTALLED WITH SUFFICIENT SLOPE TO PROVIDE DRAINAGE TO NEAREST VALVE.
- 1. PLASTIC FITTINGS TO BE SEALED WITH SEALANT 084456-01-000.

NOTES:

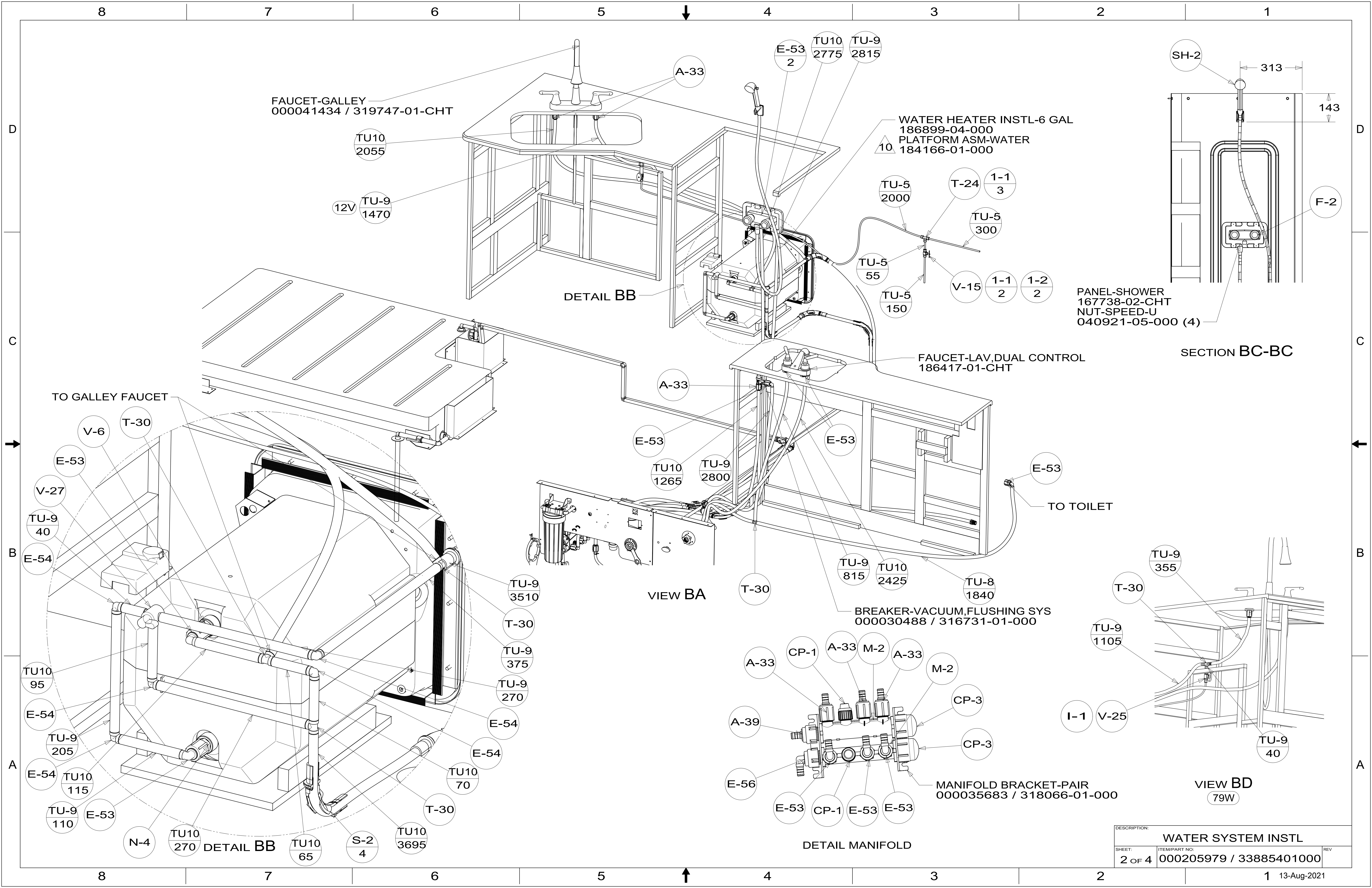


X-X
FOR WATER CALLOUTS SEE DWG NO. 000209446 / 303369-01-000

- 79W REFRIGERATOR-4 DOOR
- 12V REFR/FRZR 2 DR 12V DC COMPR

WINNEBAGO COPYRIGHT 2019 WINNEBAGO INDUSTRIES, INC.		
DSNR:	ALL DIMENSIONS ARE IN MILLIMETERS	
DFT:	MATERIAL:	
UNSPECIFIED TOLERANCES:		
WHOLE DIM (X) :	3	
ONE-PLACE (X.X) :	1.5	
TWO-PLACE (X.XX) :	0.50	
ANGLE :	1°	
REFER TO ES0018 FOR FASTENER TIGHTENING GUIDELINES	WEIGHT: (LBS)	FIRST USED: (REF)
		21 E35U
DESCRIPTION: WATER SYSTEM INSTL		
SHEET: 1 OF 4	ITEM/PART NO: 000205979 / 33885401000	REV:

8 7 6 5 4 3 2 1 REF: 1 13-Aug-2021



FAUCET-GALLEY
000041434 / 319747-01-CHT

WATER HEATER INSTL-6 GAL
186899-04-000
PLATFORM ASM-WATER
184166-01-000

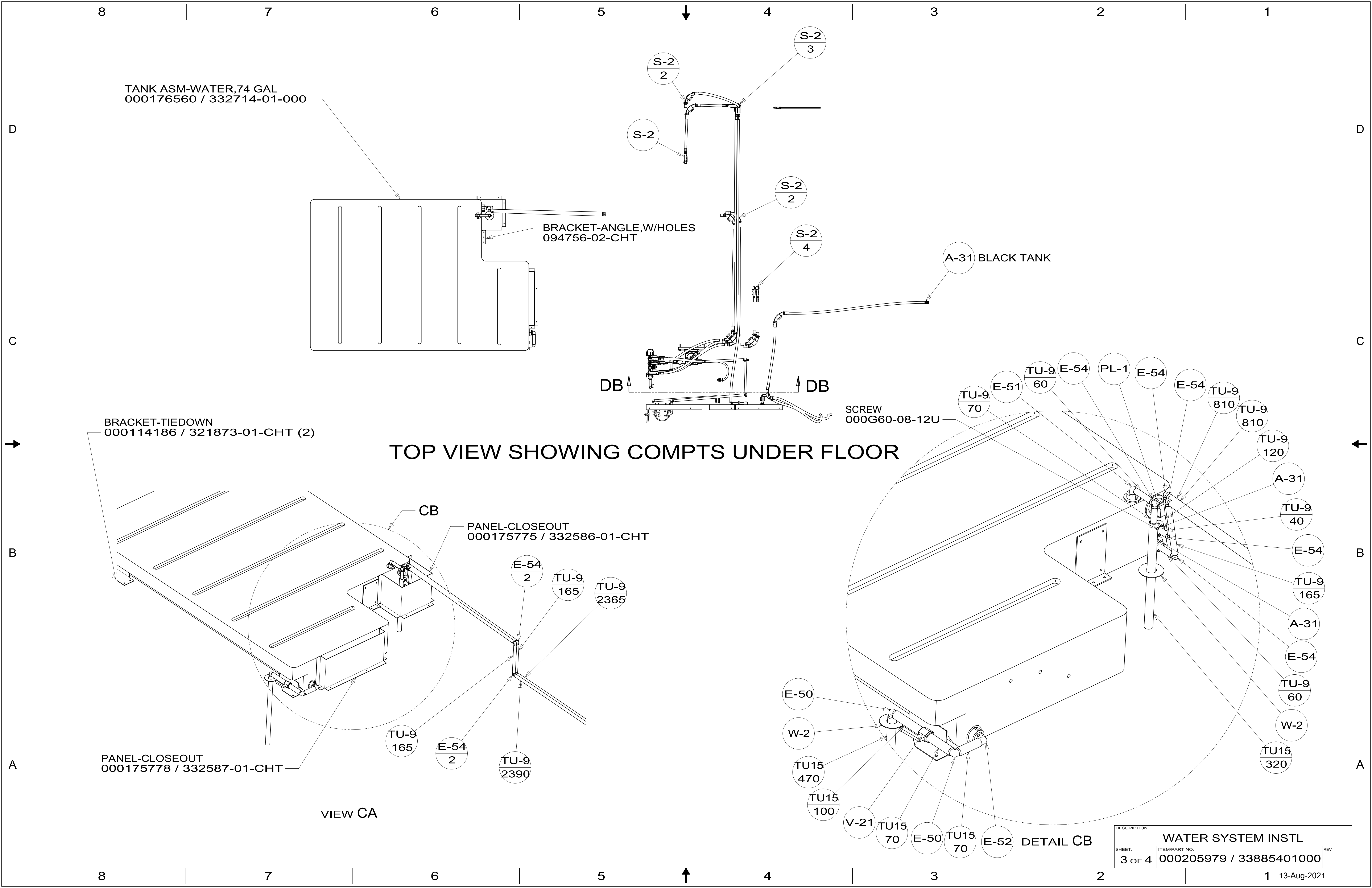
PANEL-SHOWER
167738-02-CHT
NUT-SPEED-U
040921-05-000 (4)

FAUCET-LAV,DUAL CONTROL
186417-01-CHT

BREAKER-VACUUM,FLUSHING SYS
000030488 / 316731-01-000

MANIFOLD BRACKET-PAIR
000035683 / 318066-01-000

DESCRIPTION:		
WATER SYSTEM INSTL		
SHEET:	ITEM/PART NO:	REV
2 OF 4	000205979 / 33885401000	



TOP VIEW SHOWING COMPTS UNDER FLOOR

DESCRIPTION:		
WATER SYSTEM INSTL		
SHEET:	ITEM/PART NO:	REV
3 OF 4	000205979 / 33885401000	

