

8 7 6 5 4 3 2 1

D

D

C

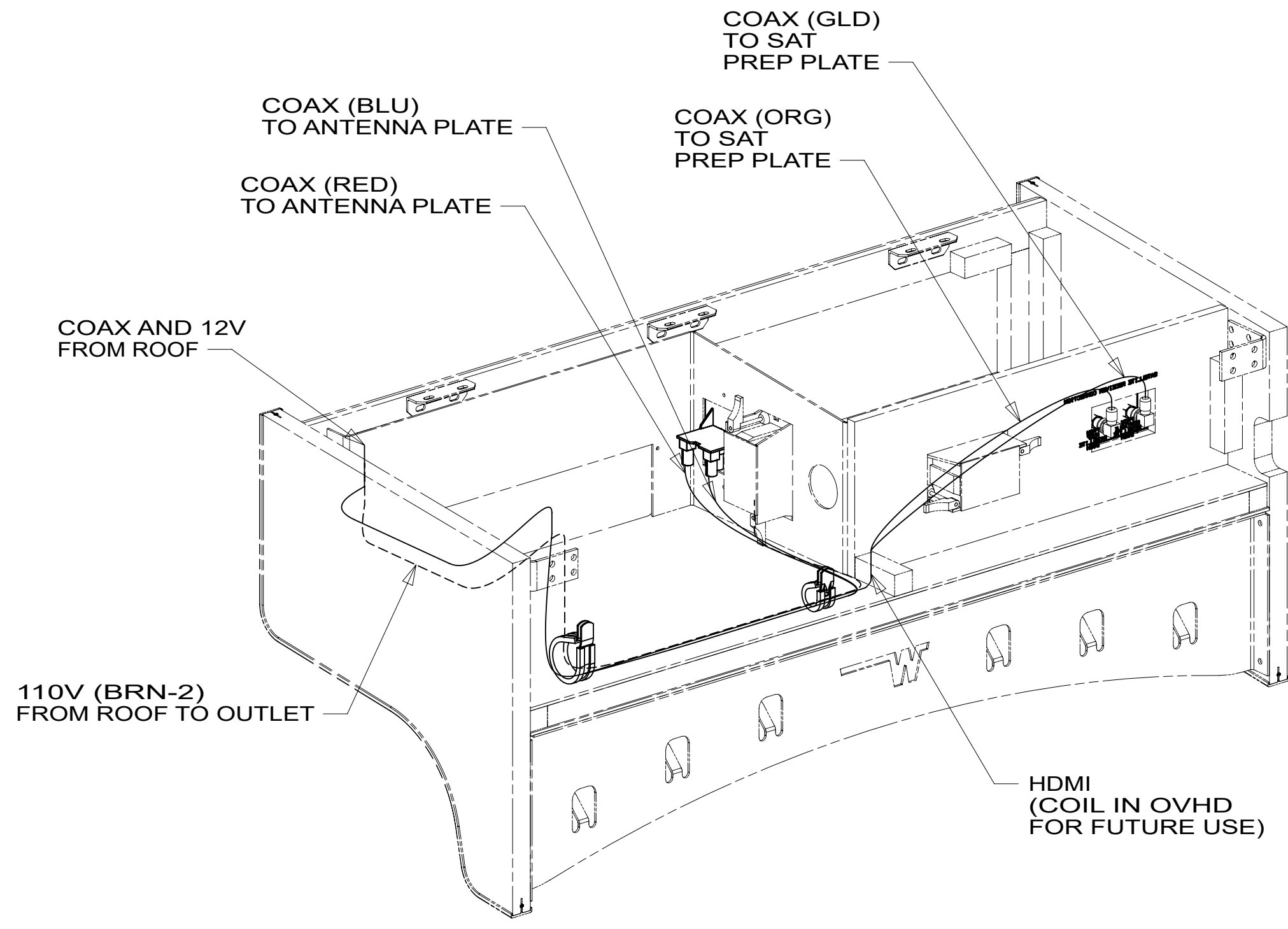
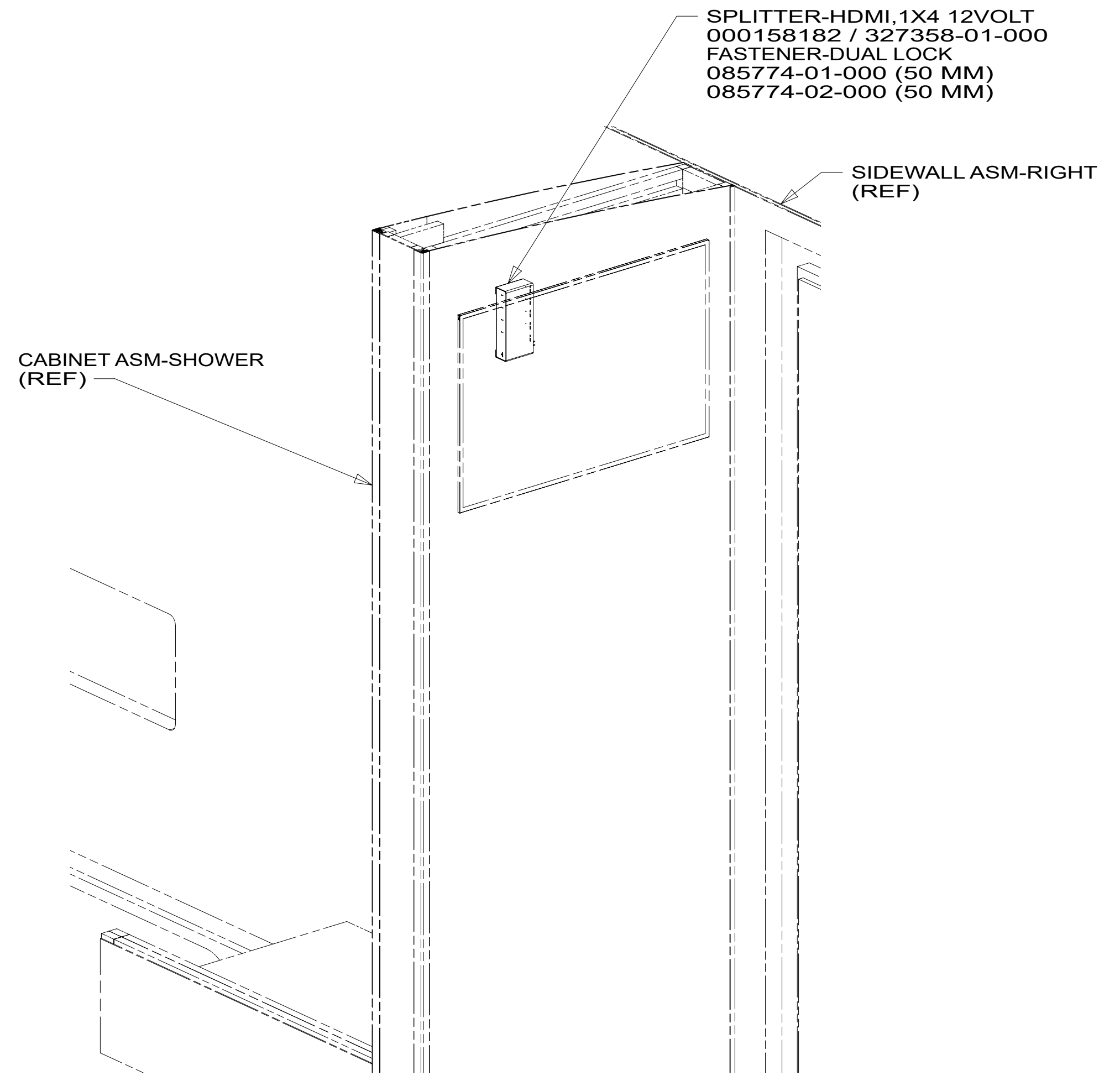
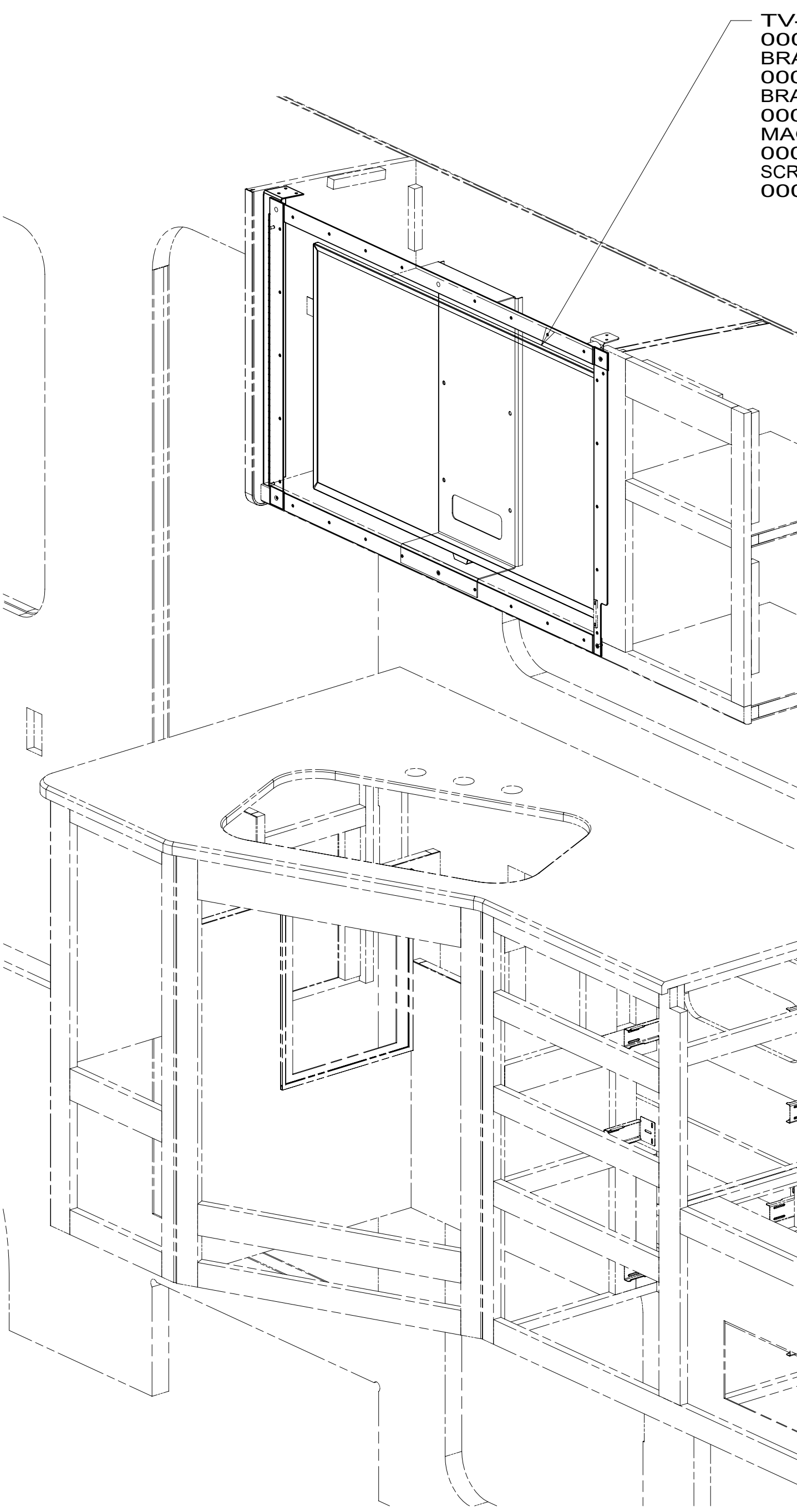
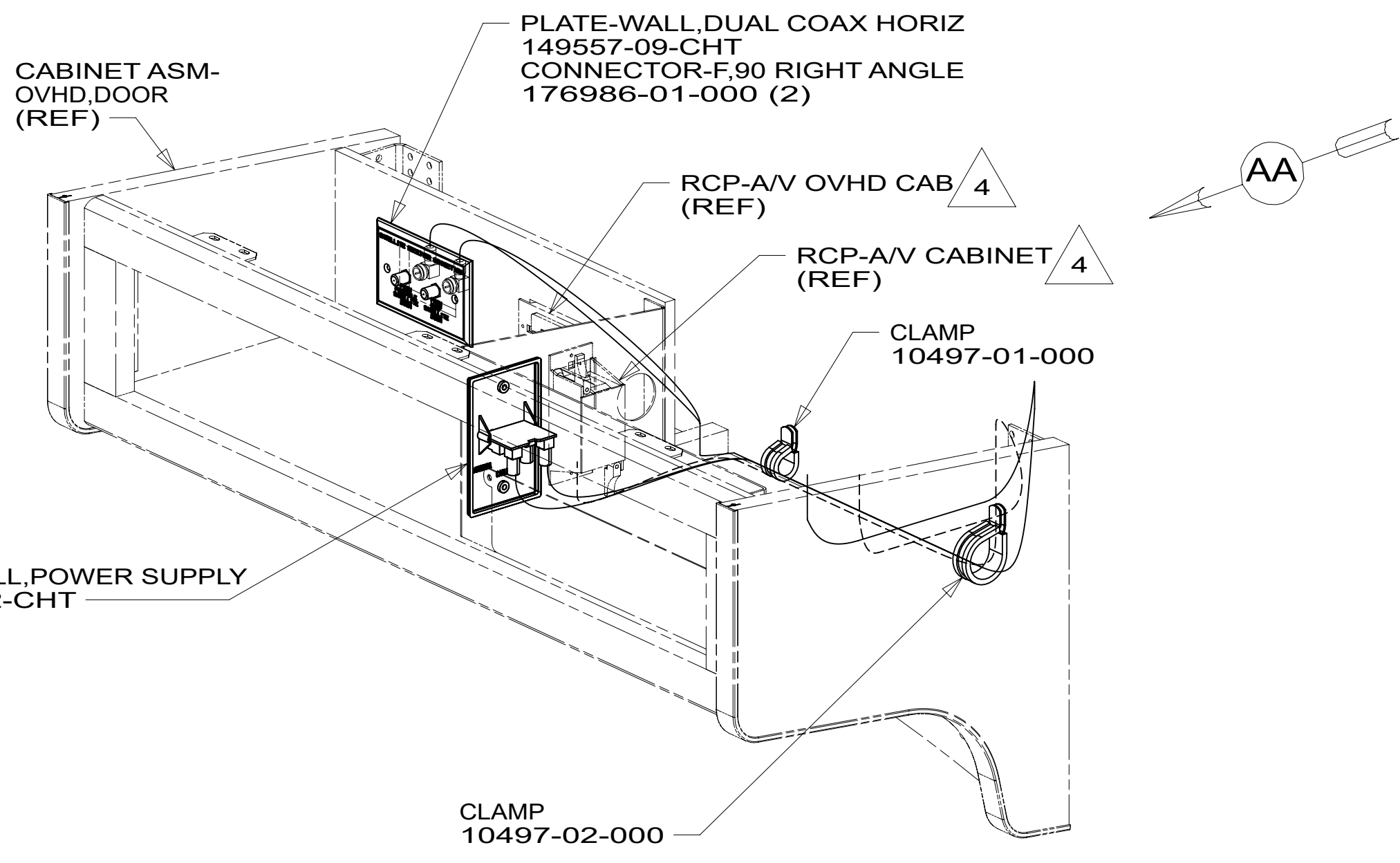
C

B

B

A

A



VIEW AA

- 4 SEE WIRING INSTL-BODY,110V FOR ADDITIONAL INFORMATION.
- WHERE WIRES PASS THROUGH HOLES IN STEEL AND NOT OTHERWISE PROTECTED, USE GROMMET 92908-02-000.
  - ALL WIRES TO BE SECURED WITH CLAMP 10495-01-000 OR CLIP 80734-01-000 EVERY 600MM. USE SCREW G67-10-12B UNLESS OTHERWISE SPECIFIED.
  - 110V WIRE TO BE CLAMPED WITH CLAMP 10497-05-000 WITHIN 200MM OF OUTLET BOXES, USE SCREW G67-10-12B.

NOTES:

FOR ELECTRICAL TORQUE SPECIFICATIONS SEE DWG NO. 128783-01-000

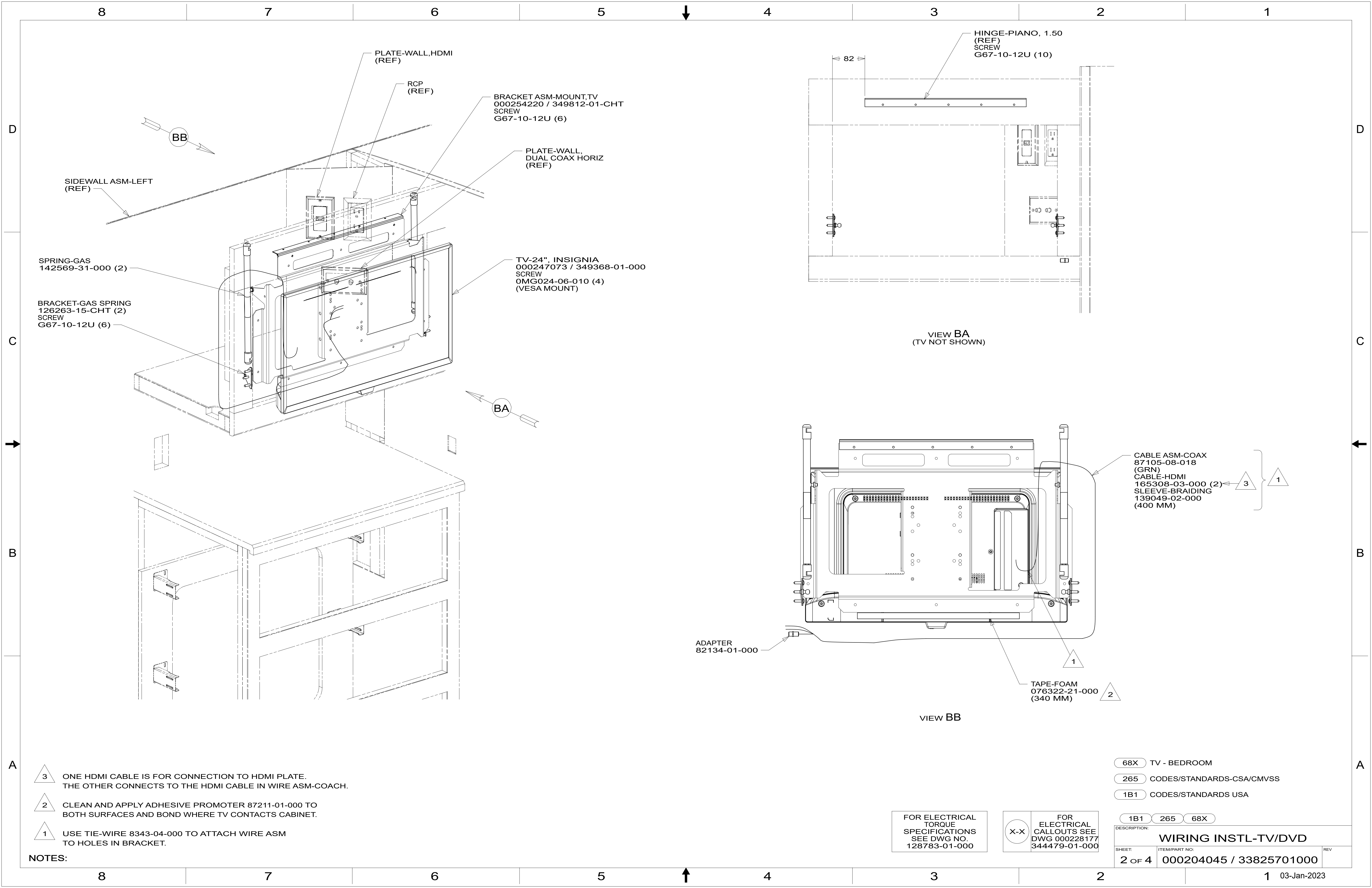
FOR ELECTRICAL CALLOUTS SEE DWG 000228177 344479-01-000

- 265 CODES/STANDARDS-CSA/CMVSS
- 1B1 CODES/STANDARDS USA
- 1B1 265

**WINNEBAGO**  
COPYRIGHT 2016 WINNEBAGO INDUSTRIES, INC.

DSNR:	ALL DIMENSIONS ARE IN MILLIMETERS	
DFFR:		
UNSPECIFIED TOLERANCES:	MATERIAL:	
WHOLE DIM (X) : 3		
ONE-PLACE (X.X) : 1.5		
TWO-PLACE (X.XX) : 0.50		
ANGLE : 1°		
REFER TO ES0018 FOR FASTENER TIGHTENING GUIDELINES	WEIGHT: (LBS)	FIRST USED: <b>21 E32M</b>
DESCRIPTION: <b>WIRING INSTL-TV/DVD</b>		
SHEET: <b>1 OF 4</b>	ITEM/PART NO: <b>000204045 / 33825701000</b>	REV:

8 7 6 5 4 3 2 1



- NOTES:
- 3 ONE HDMI CABLE IS FOR CONNECTION TO HDMI PLATE. THE OTHER CONNECTS TO THE HDMI CABLE IN WIRE ASM-COACH.
  - 2 CLEAN AND APPLY ADHESIVE PROMOTER 87211-01-000 TO BOTH SURFACES AND BOND WHERE TV CONTACTS CABINET.
  - 1 USE TIE-WIRE 8343-04-000 TO ATTACH WIRE ASM TO HOLES IN BRACKET.

FOR ELECTRICAL TORQUE SPECIFICATIONS SEE DWG NO. 128783-01-000

FOR ELECTRICAL CALLOUTS SEE DWG 000228177 344479-01-000

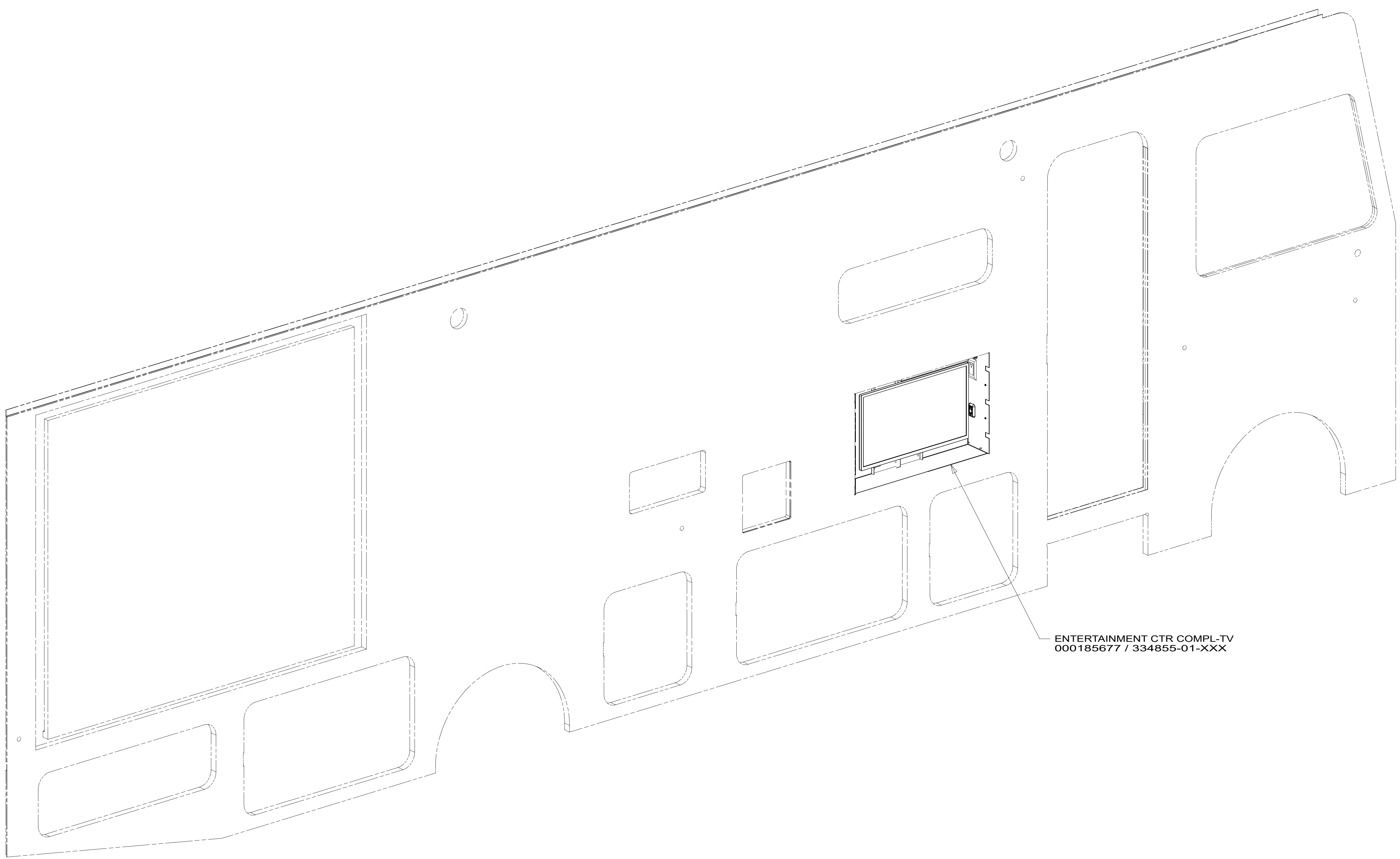
- 68X TV - BEDROOM
- 265 CODES/STANDARDS-CSA/CMVSS
- 1B1 CODES/STANDARDS USA

DESCRIPTION: <b>WIRING INSTL-TV/DVD</b>		
SHEET: 2 OF 4	ITEM/PART NO.: 000204045 / 33825701000	REV

8 7 6 5 4 3 2 1

D  
C  
B  
A

D  
C  
B  
A



ENTERTAINMENT CTR COMPL-TV  
000185677 / 334855-01-XXX

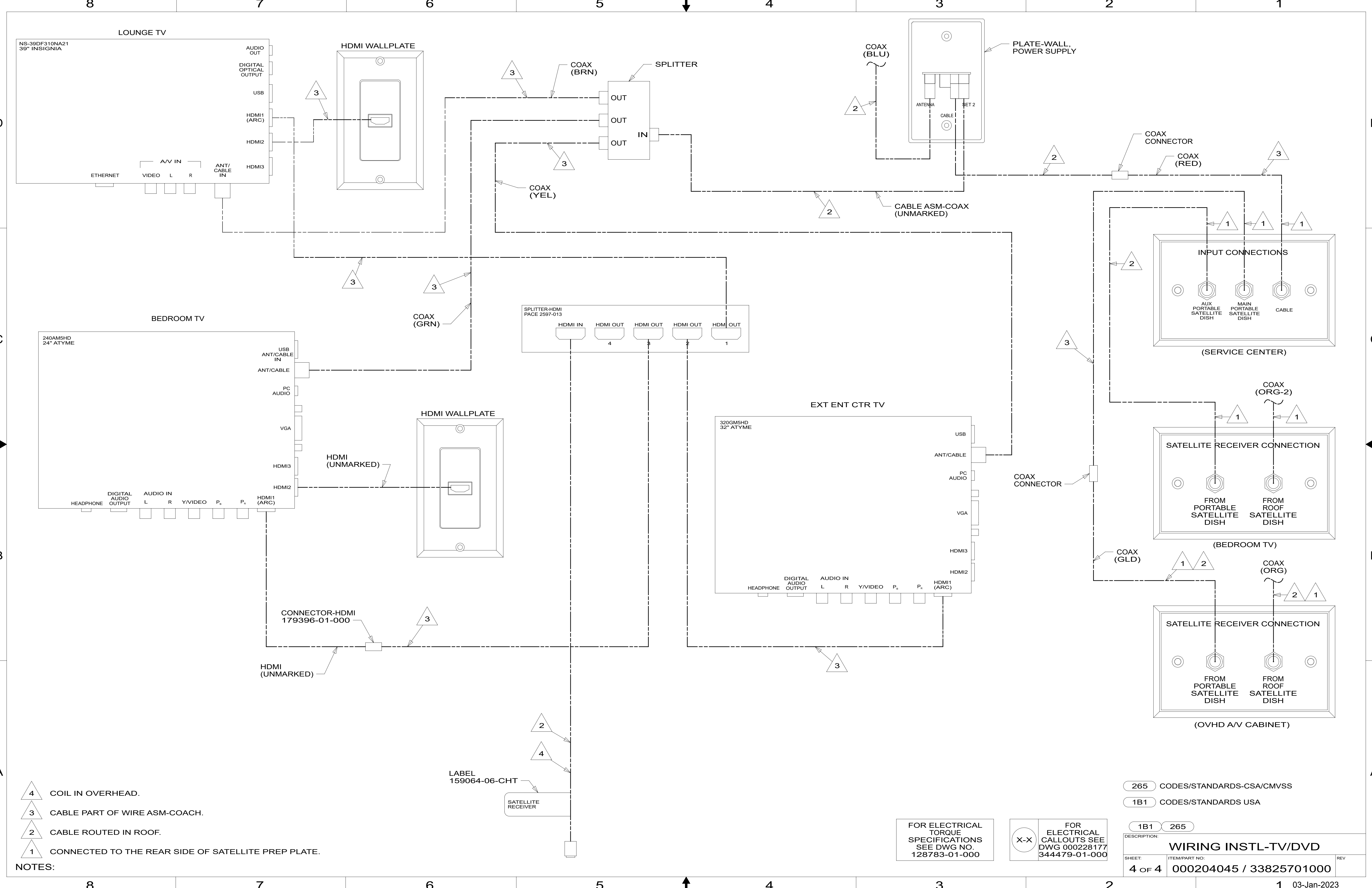
265 CODES/STANDARDS-CSA/CMVSS  
1B1 CODES/STANDARDS USA

FOR ELECTRICAL  
TORQUE  
SPECIFICATIONS  
SEE DWG NO.  
128783-01-000

FOR  
ELECTRICAL  
CALLOUTS SEE  
DWG 000228177  
344479-01-000

DESCRIPTION:	
1B1 265	
WIRING INSTL-TV/DVD	
SHEET:	ITEM/PART NO. REV
3 OF 4	000204045 / 33825701000

8 7 6 5 4 3 2 1 03-Jan-2023



- NOTES:
- 4 COIL IN OVERHEAD.
  - 3 CABLE PART OF WIRE ASM-COACH.
  - 2 CABLE ROUTED IN ROOF.
  - 1 CONNECTED TO THE REAR SIDE OF SATELLITE PREP PLATE.

LABEL  
159064-06-CHT  
SATELLITE  
RECEIVER

FOR ELECTRICAL  
TORQUE  
SPECIFICATIONS  
SEE DWG NO.  
128783-01-000

FOR ELECTRICAL  
CALLOUTS SEE  
DWG 000228177  
344479-01-000

- 265 CODES/STANDARDS-CSA/CMVSS
- 1B1 CODES/STANDARDS USA

DESCRIPTION: <b>WIRING INSTL-TV/DVD</b>	
SHEET: <b>4 OF 4</b>	ITEM/PART NO.: <b>000204045 / 33825701000</b>
REV <b>03-Jan-2023</b>	