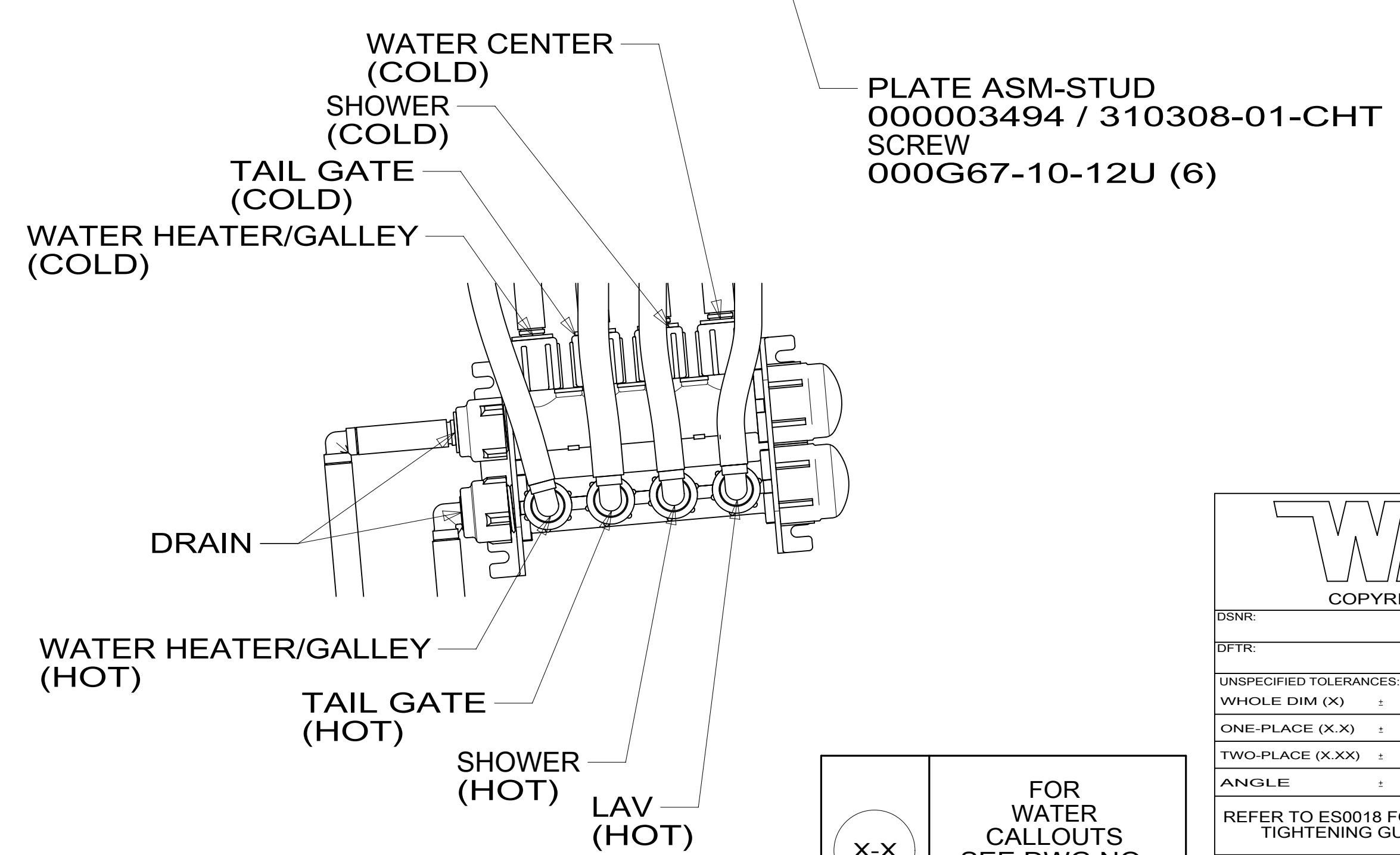


- NOTES:
1. PLASTIC FITTINGS TO BE SEALED WITH SEALANT 084456-01-000.
  2. TUBING TO BE INSTALLED WITH SUFFICIENT SLOPE TO PROVIDE DRAINAGE TO NEAREST VALVE.
  3. ALL TUBING TO BE SECURED AT 1200 INTERVALS MAXIMUM WITH CLAMP 010495-01-000 AND SCREW 000G67-10-12U OR EQUIVALENT.
  4. ADD TEFLON TAPE 010405-02-000.
  5. ADD PIPE WRAP (LADDER SCRAP 110157-02-000) INSULATION.
  6. LABEL HOT AND COLD SUPPLY TUBES AND TAPE FITTING TO TUBE BEFORE CABINET SET TO PREVENT MOVEMENT.
  7. ALL CRIMP FITTINGS TO 5/8" FLEX TUBING REQUIRE 5/8" CLAMP 000156248 / 326669-01-000.
  8. ALL CRIMP FITTINGS TO 1/2" PEX TUBING REQUIRE 1/2" CLAMP 000156249 / 326670-01-000.
  9. ALL CRIMP FITTINGS TO 3/4" PEX TUBING REQUIRE 3/4" CLAMP 000156247 / 326668-01-000.



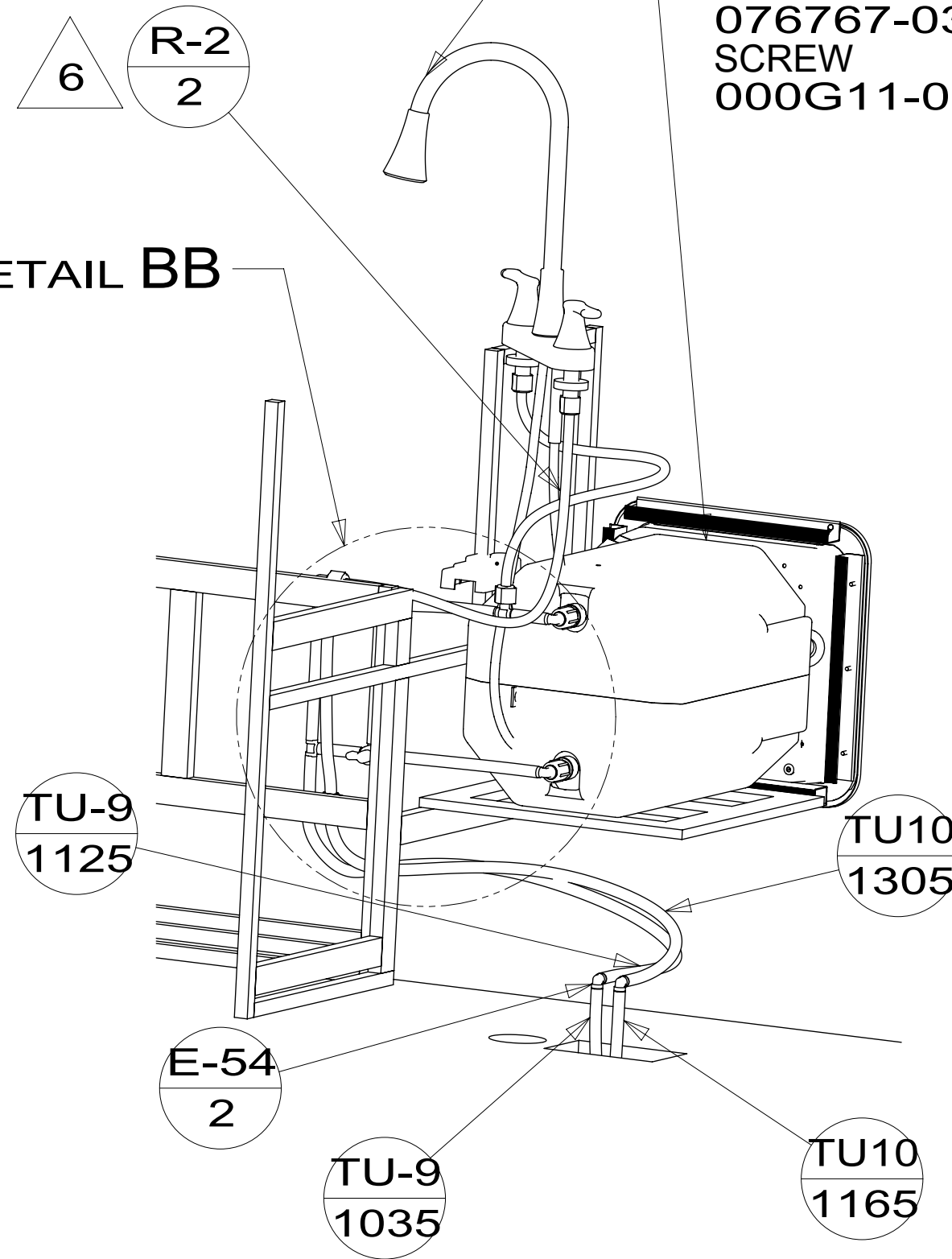
FOR WATER CALLOUTS SEE DWG NO. 000209446 / 303369-01-000

<b>WINNEBAGO</b> COPYRIGHT 2018 WINNEBAGO INDUSTRIES, INC.		
ALL DIMENSIONS ARE IN MILLIMETERS		
DSNR:	MATERIAL:	
DIFFR:	WEIGHT: (LBS)    FIRST USED: (REF)	
UNSPECIFIED TOLERANCES:	20 E29V	
WHOLE DIM (X) :	DESCRIPTION:	
ONE-PLACE (X.X) :	WATER SYSTEM INSTL	
TWO-PLACE (X.XX) :	SHEET: 1 OF 4    ITEM/PART NO: 000203185 / 33790501000    REV:	
ANGLE :	REF: 1    04-Feb-2021	

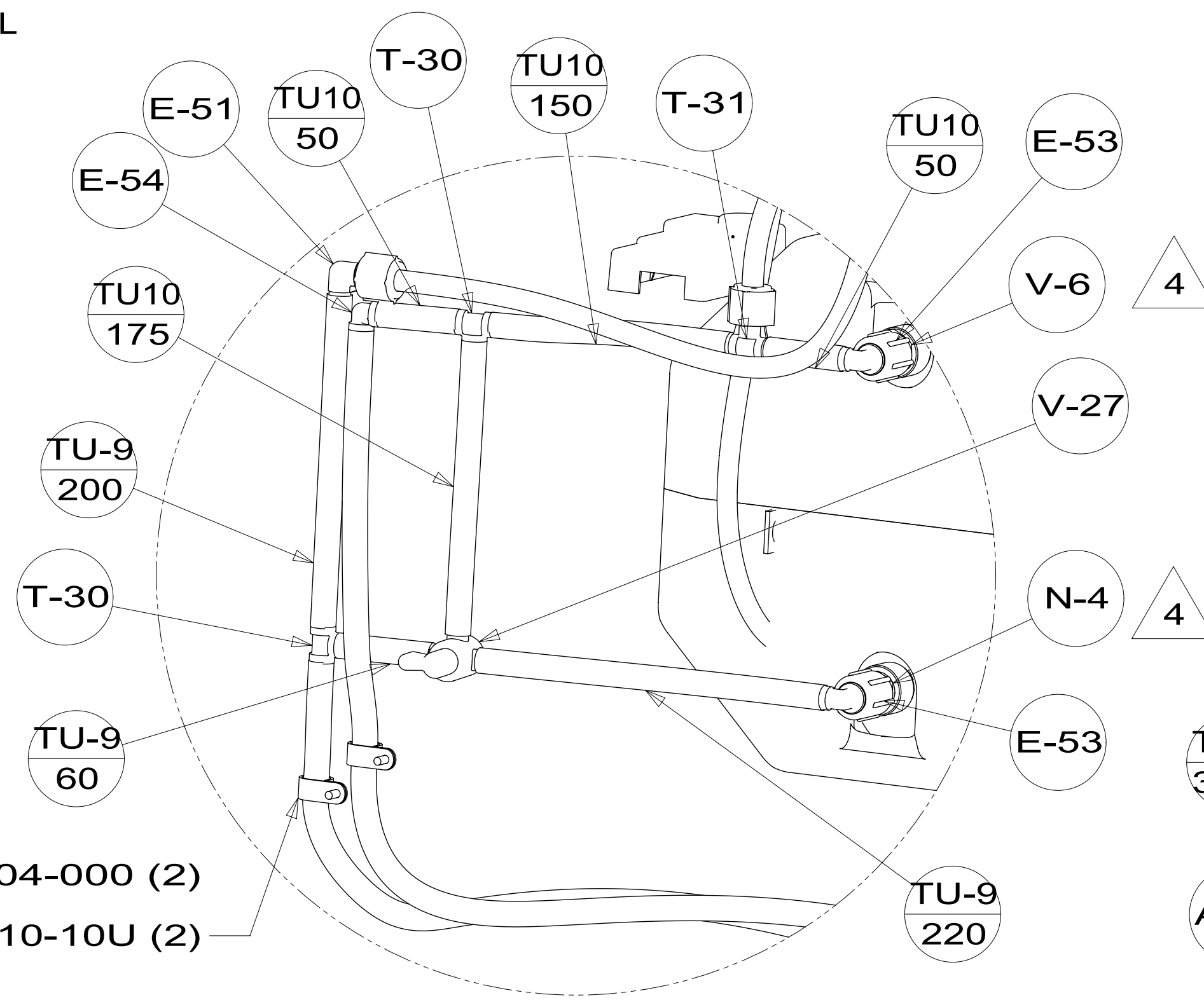
FAUCET-GALLEY,  
000041434 / 319747-01-CHT

WATER HEATER INSTL  
186899-04-000  
CABLE  
076767-03-000  
SCREW  
000G11-06-08U(2)

DETAIL BB

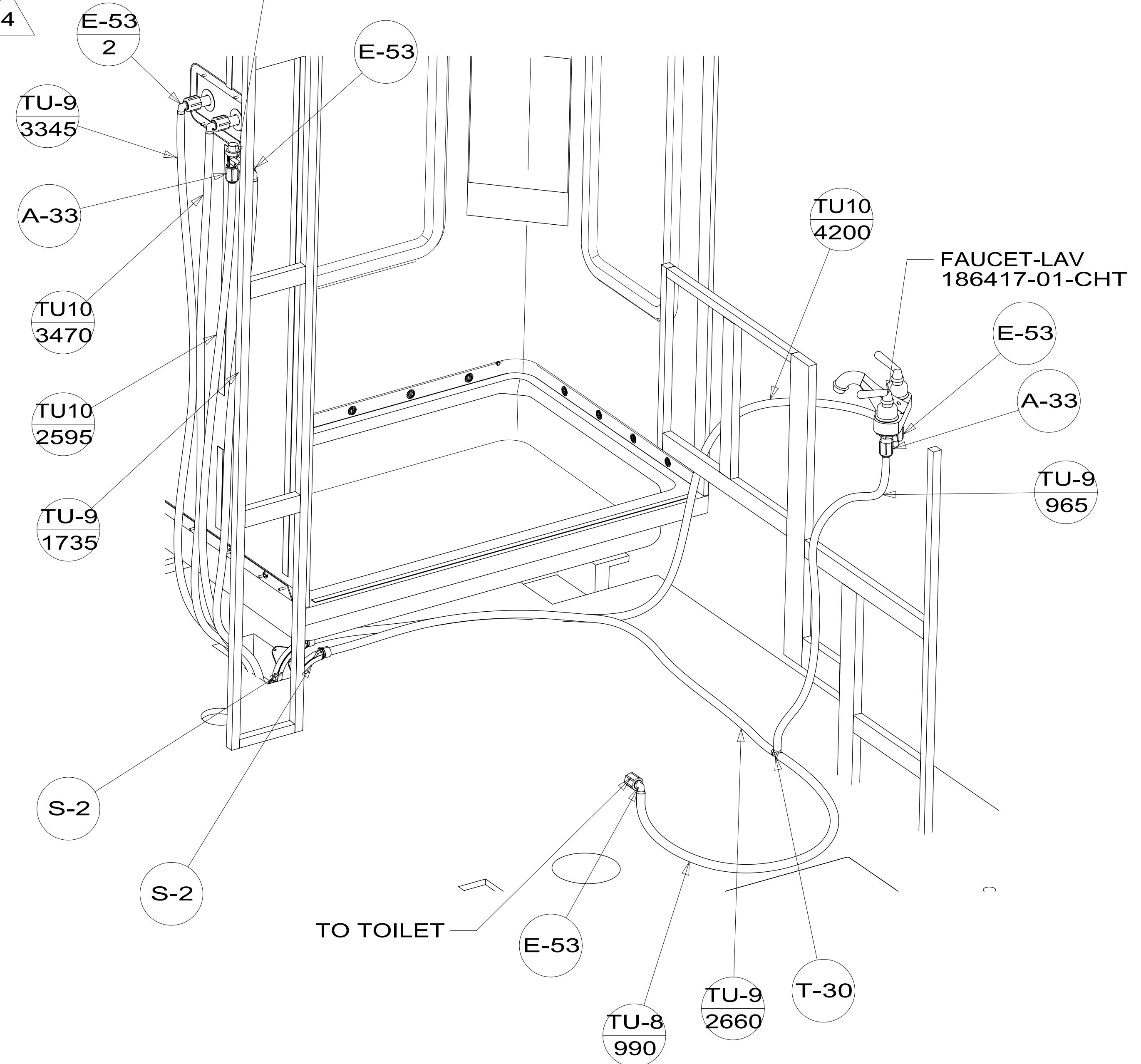


VIEW BA

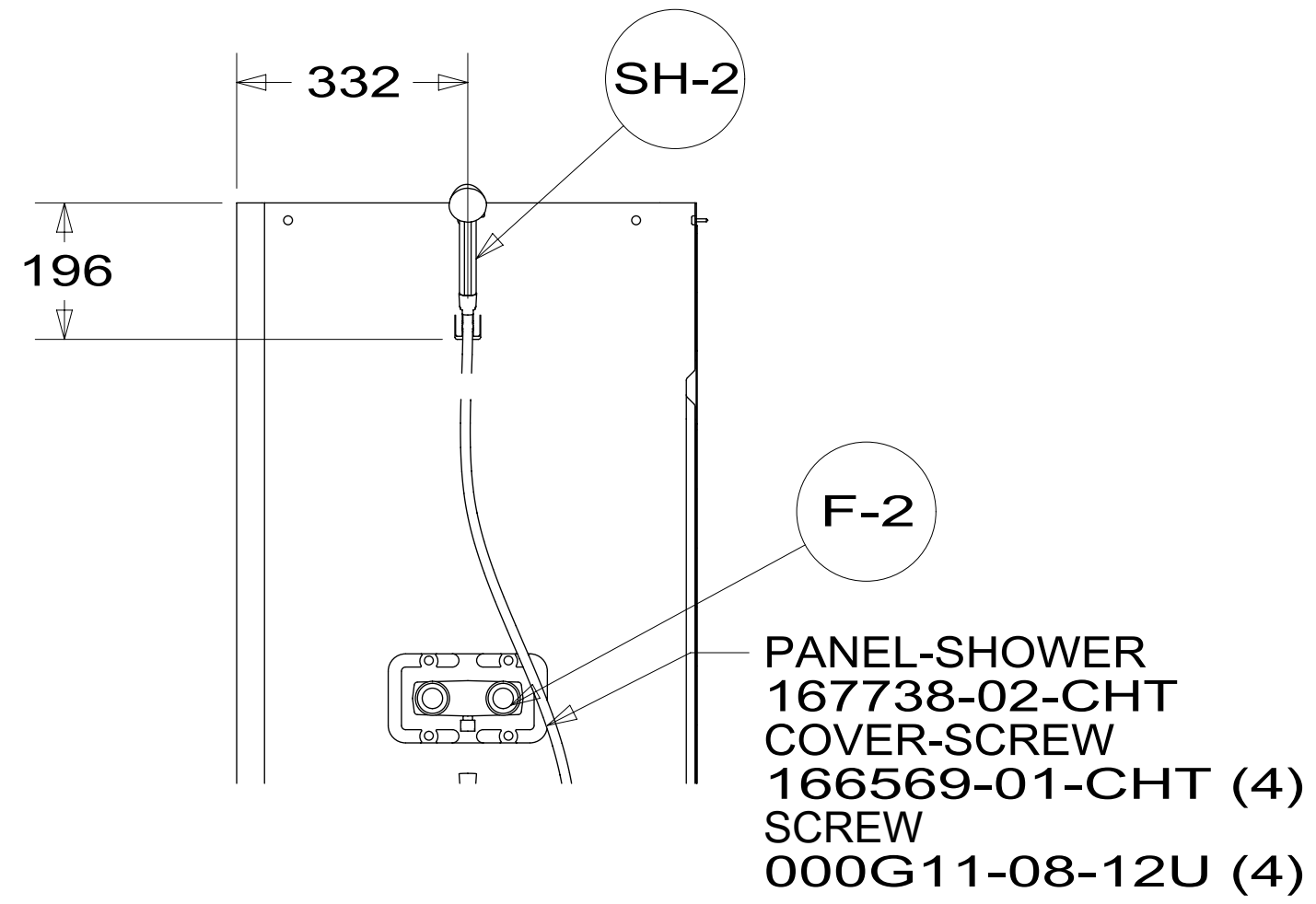


DETAIL BB  
(SHOWN W/OUT CABINETS)

BREAKER-VACUUM,FLUSHING SYS  
000030488 / 316731-01-000



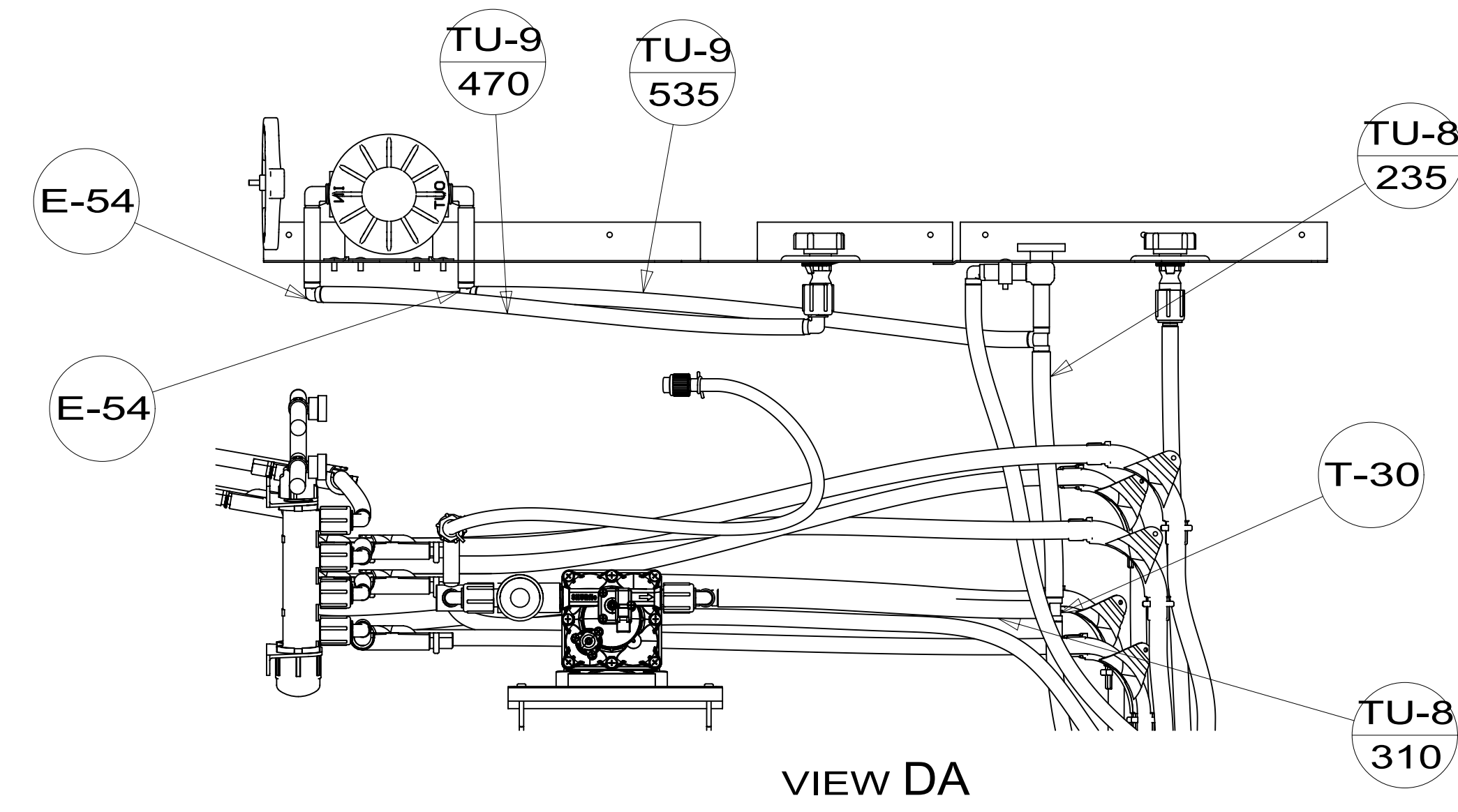
VIEW BC



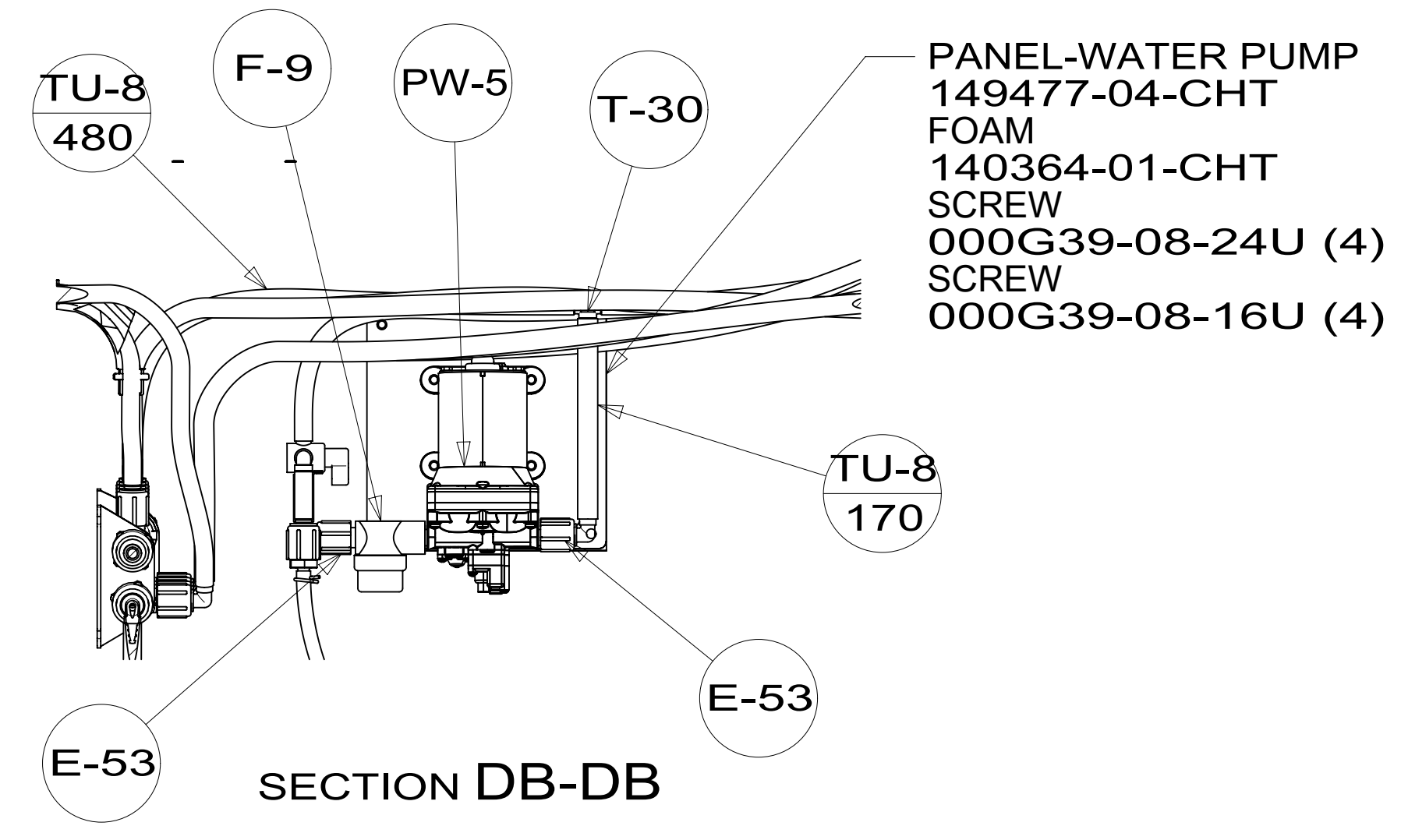
SECTION BD-BD

DESCRIPTION:		
WATER SYSTEM INSTL		
SHEET:	ITEM/PART NO.:	REV
2 OF 4	000203185 / 33790501000	

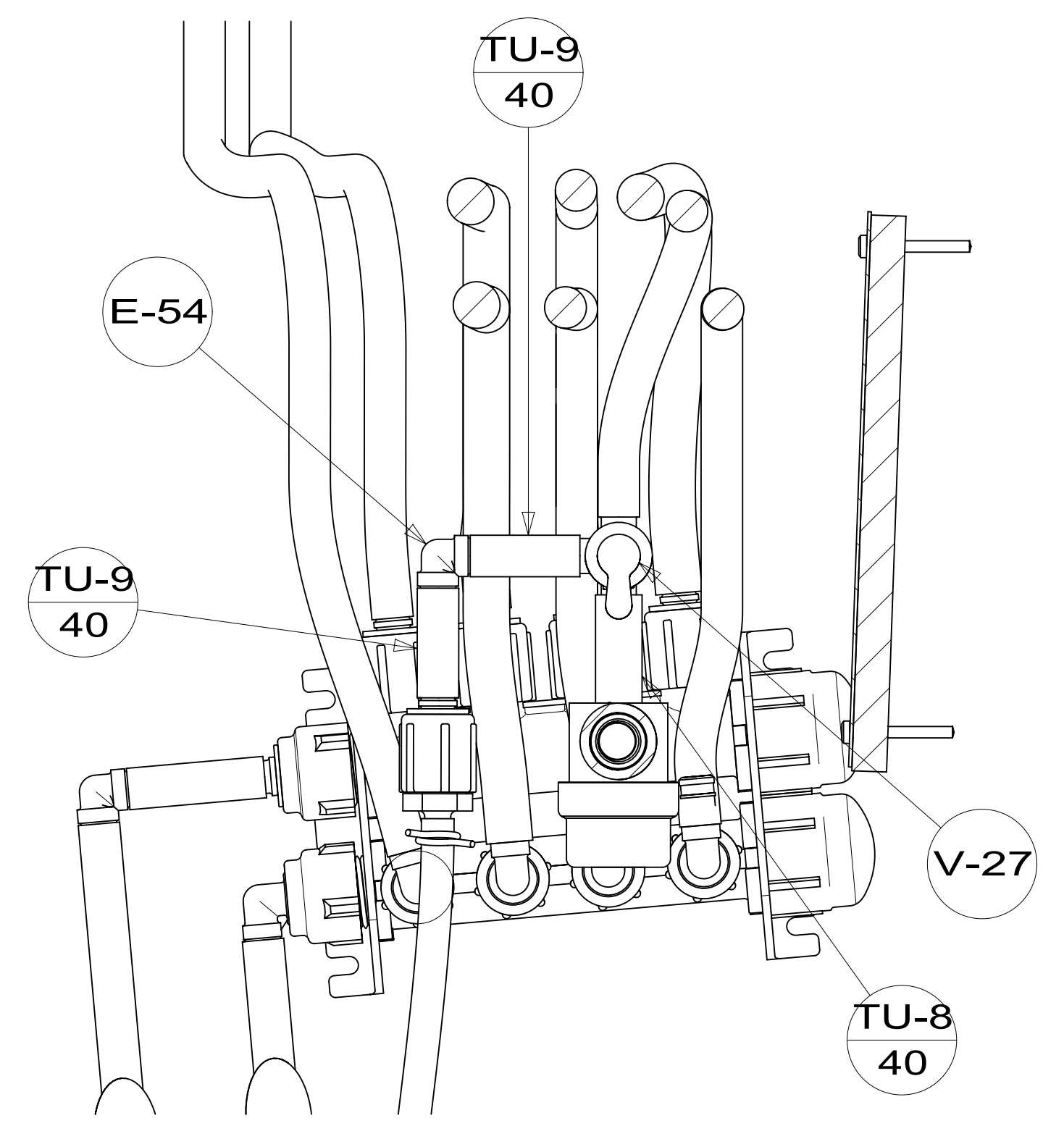




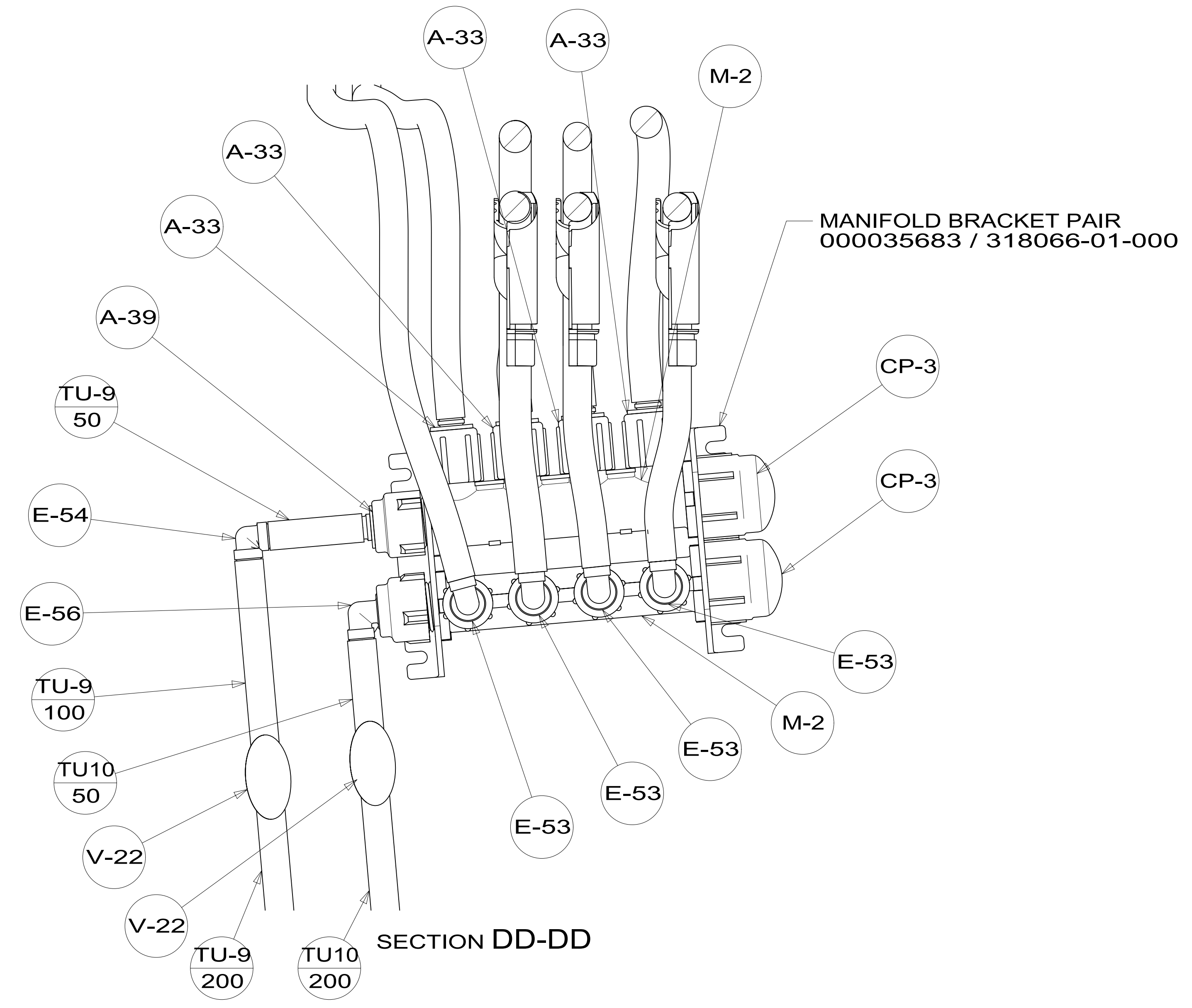
VIEW DA



SECTION DB-DB



SECTION DC-DC



SECTION DD-DD

DESCRIPTION:		
WATER SYSTEM INSTL		
SHEET:	ITEM/PART NO:	REV
4 OF 4	000203185 / 33790501000	