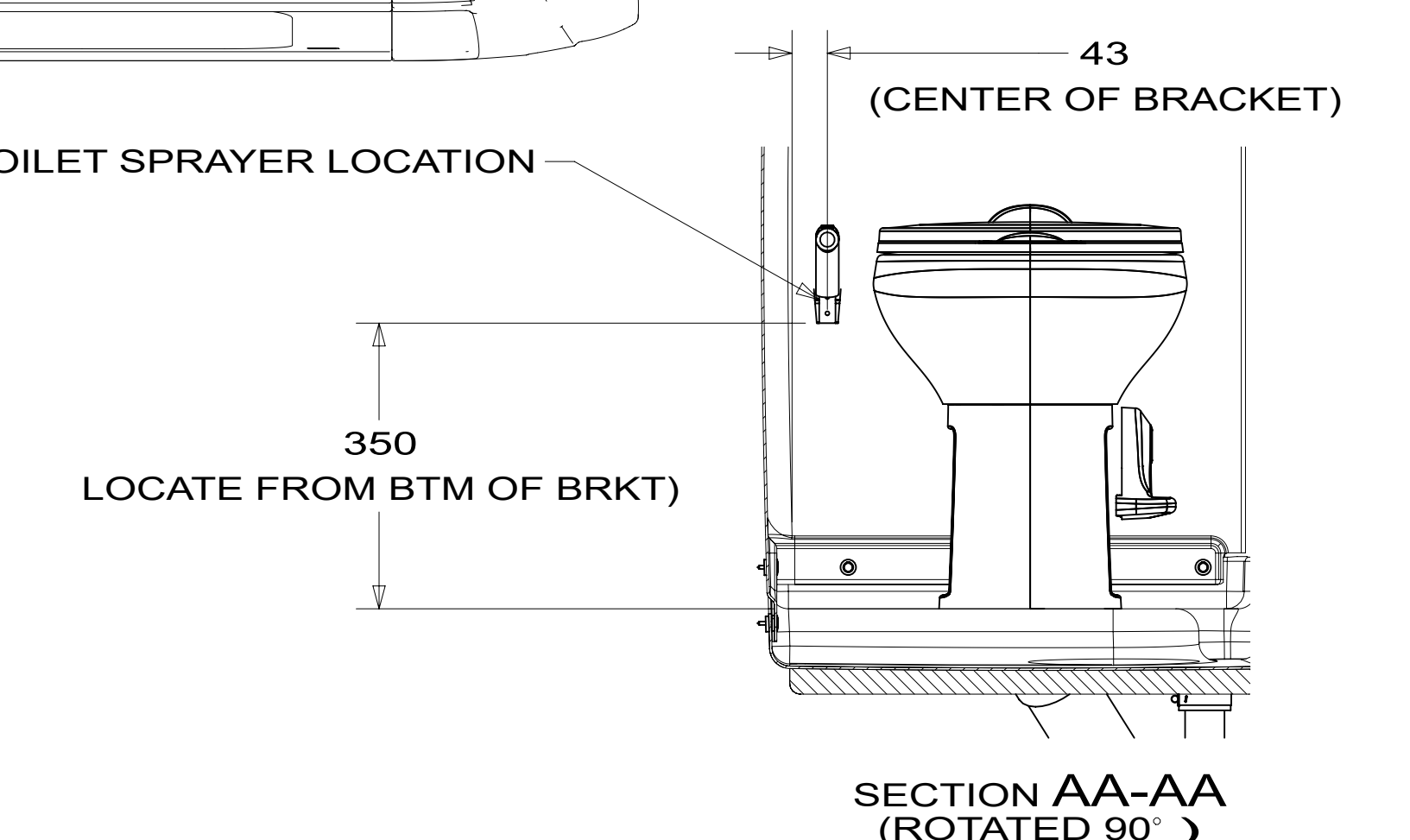


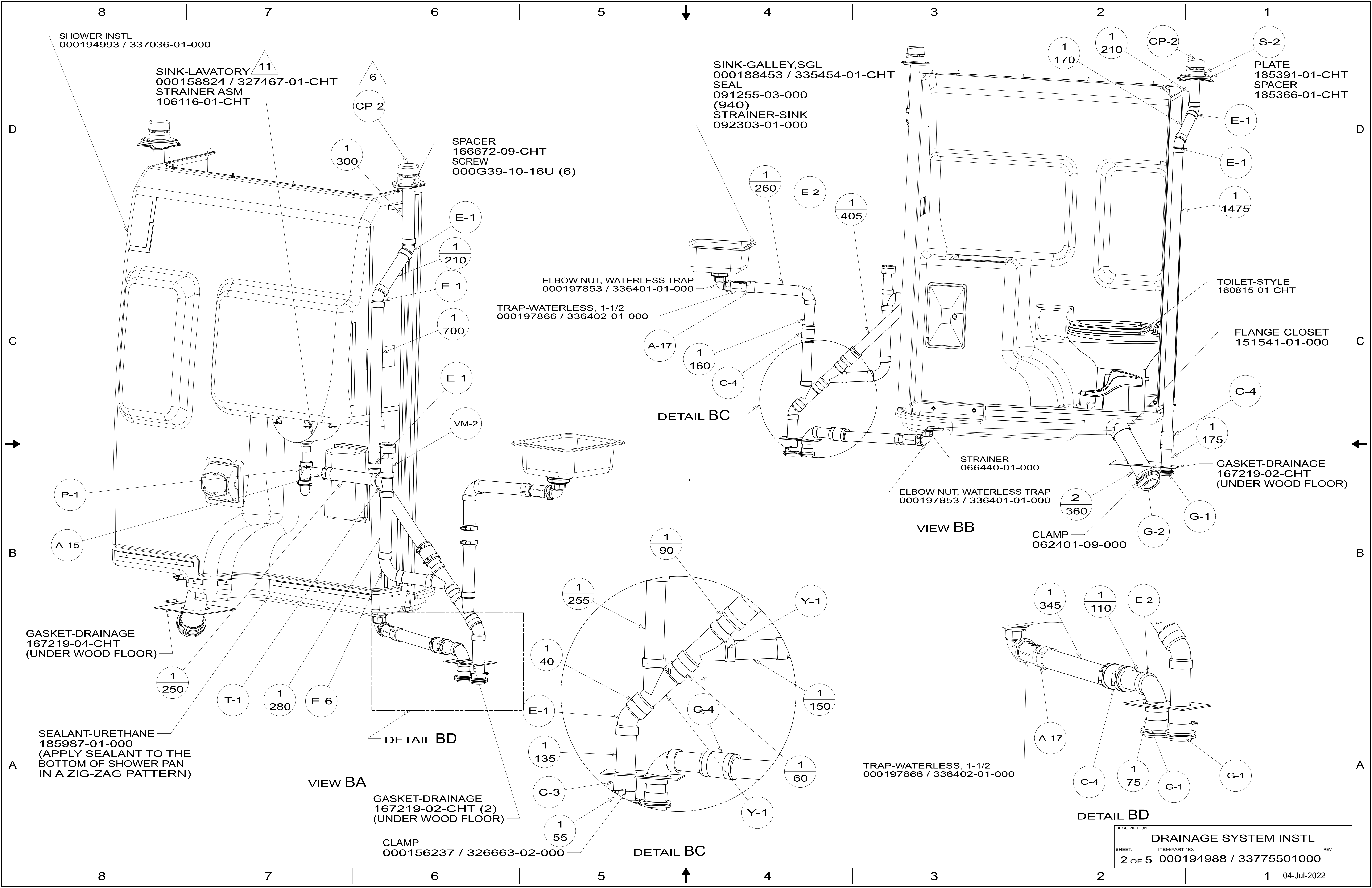
- 14. PREP THE SURFACE PER MANUFACTURERS INSTRUCTIONS BEFORE APPLYING THE HEATING PAD.
- 13. SEE WIRING INSTL-BODY FOR ELECTGRICAL CONNECTIONS.
- 12. ATTACH SEAL TO BRACE WHERE IT CONTACTS HEATER PAD.
- 11. USE CLEAR SILICONE TO SEAL THE SINK TO THE SHOWER SURROUND.
- 10. TRIM TO FIT.
- 9. ALL CRIMP FITTINGS TO 1/2" PEX TUBING REQUIRE 1/2" CLAMP 000156249 / 326670-01-000.
- 8. NIPPLE TO BE TRIMMED TO LENGTH ON INSTALL.
- 7. SECURE VENT PIPE WITH CLAMP 000156237 / 326663-02-000.
- 6. VENT PIPE MUST PROJECT 51 MIN AND 64 MAX ABOVE ROOF FOR PROPER FIT AND FUNCTION.
- 5. SEAL AROUND SHOWER WITH SILICONE.
- 4. SECURE DRAINAGE PIPES TO CABINET USING WIRE TIE 108046-02-000, AND SCREW 000G67-10-12U AT INTERVALS OF NOT MORE THAN 4 FEET APART.
- 3. ALL PIPE AND FITTINGS TO BE ASSEMBLED WITH SOLVENT 004020-01-000 (USA), 004020-02-000 (CAN)
- 2. SLOPE OF TRAP ARM MUST BE 6 PER 305 mm.
- 1. SLOPE OF HORIZONTAL PIPING TO BE MINIMUM OF 3 PER 305 mm.



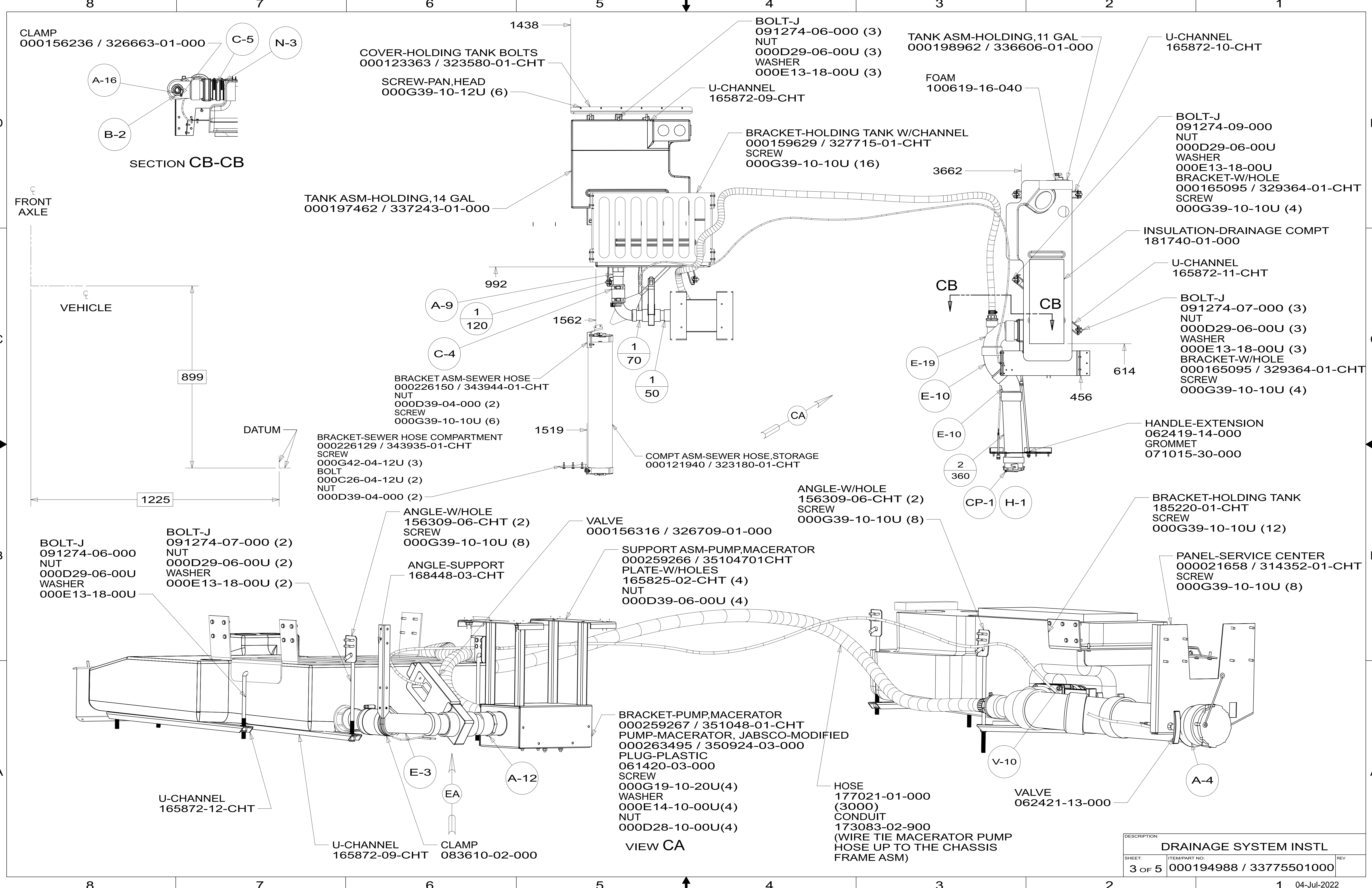
FOR DRAINAGE CALLOUTS SEE DWG NO. 000211962 / 303370-01-000

WINNEBAGO [®]		COPYRIGHT 2022 WINNEBAGO INDUSTRIES, INC.	
DSNR:		ALL DIMENSIONS ARE IN MILLIMETERS	
DFTR:		MATERIAL:	
UNSPECIFIED TOLERANCES:		WEIGHT: (LBS)	FIRST USED: (REF)
WHOLE DIM (X)	3		21 259G
ONE-PLACE (X.X)	1.5		
TWO-PLACE (X.XX)	0.50		
ANGLE	1°		
REFER TO ES0018 FOR FASTENER TIGHTENING GUIDELINES			
DESCRIPTION:			
DRAINAGE SYSTEM INSTL			
SHEET:	ITEM/PART NO.:	REV:	
1 OF 5	000194988 / 33775501000		
REF:		1 04-Jul-2022	

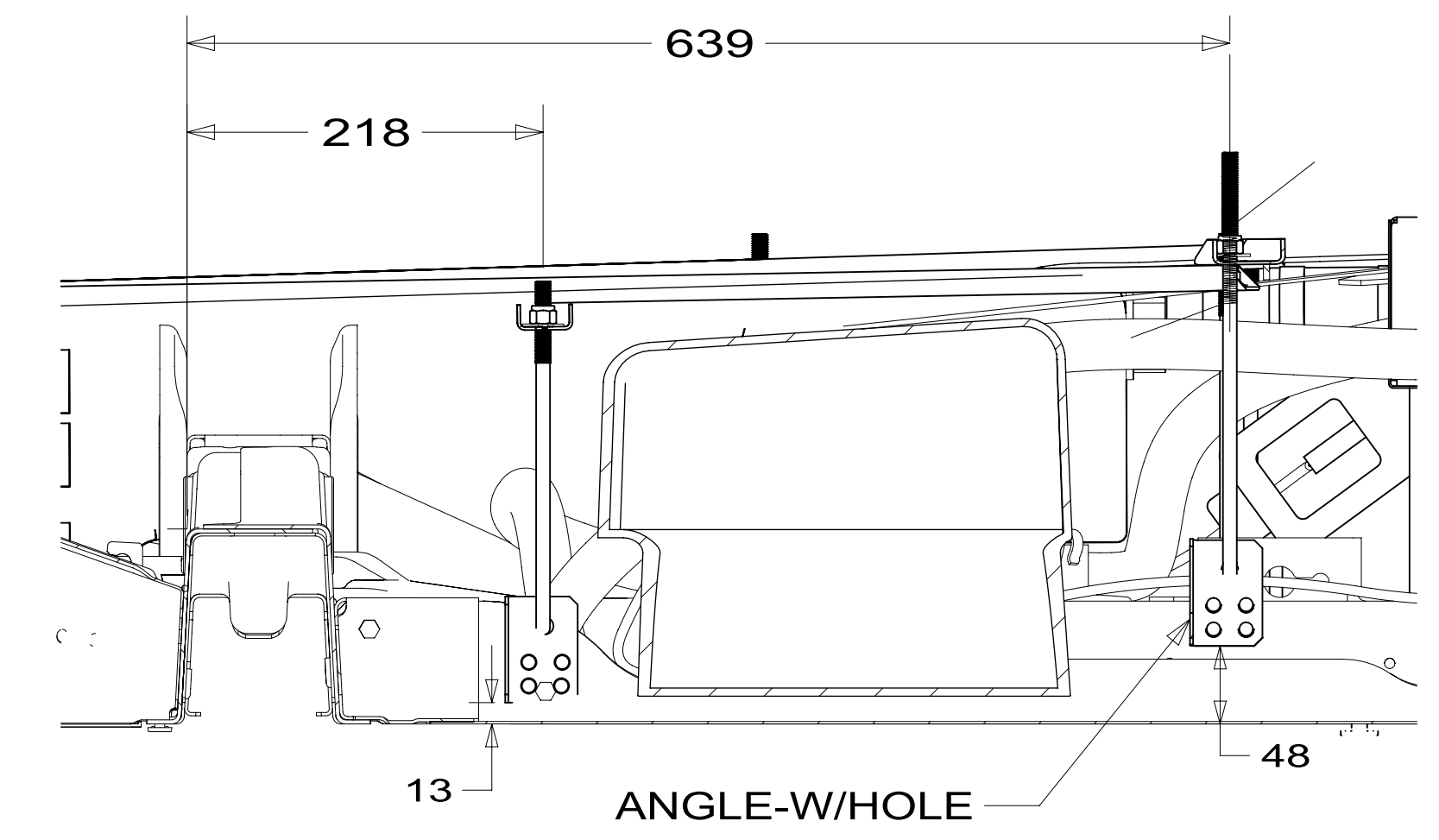
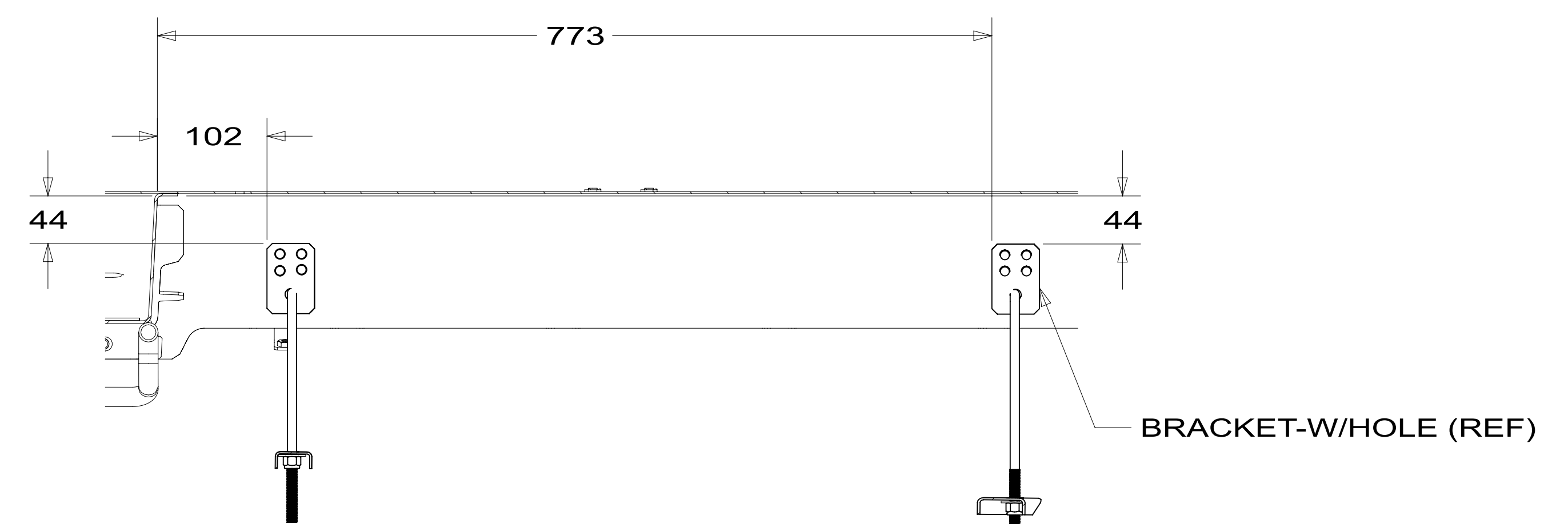
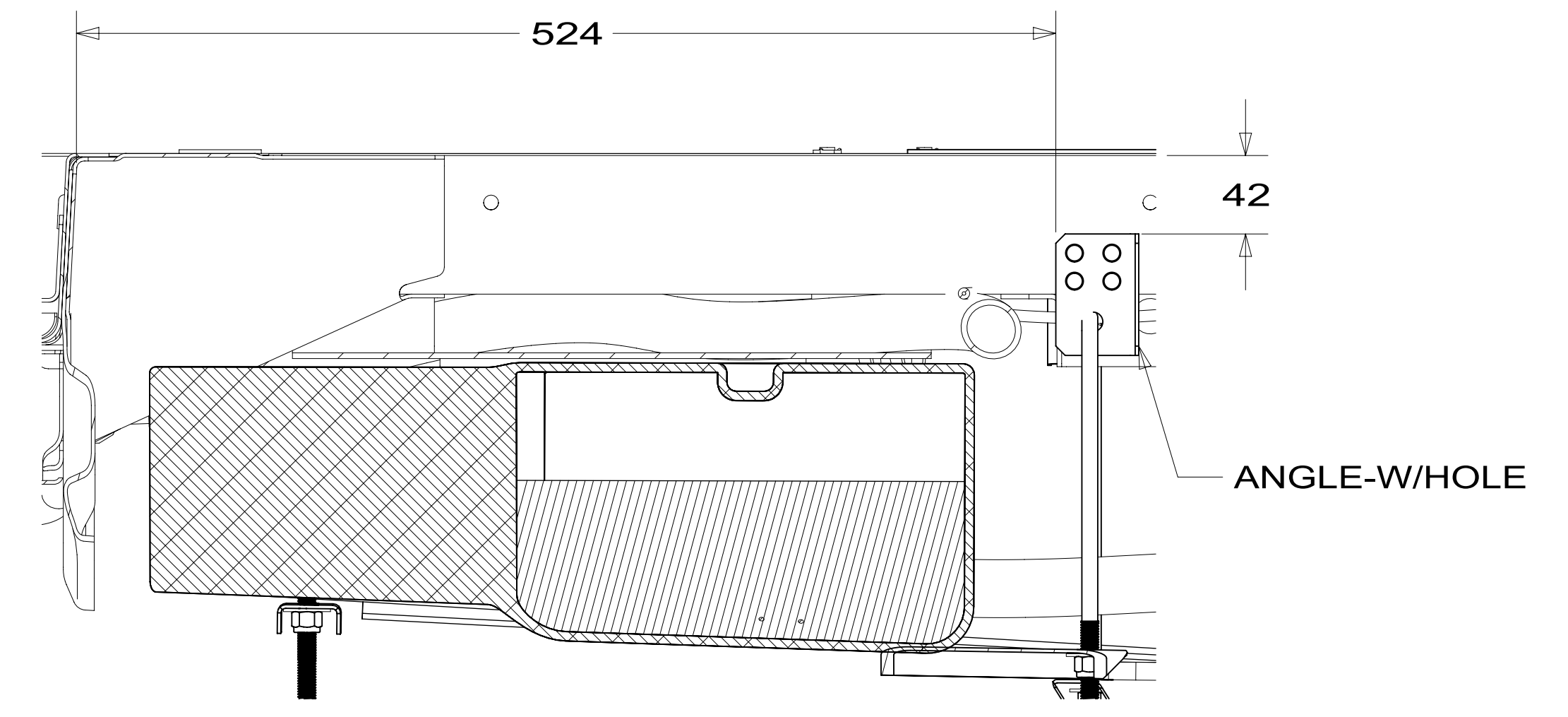
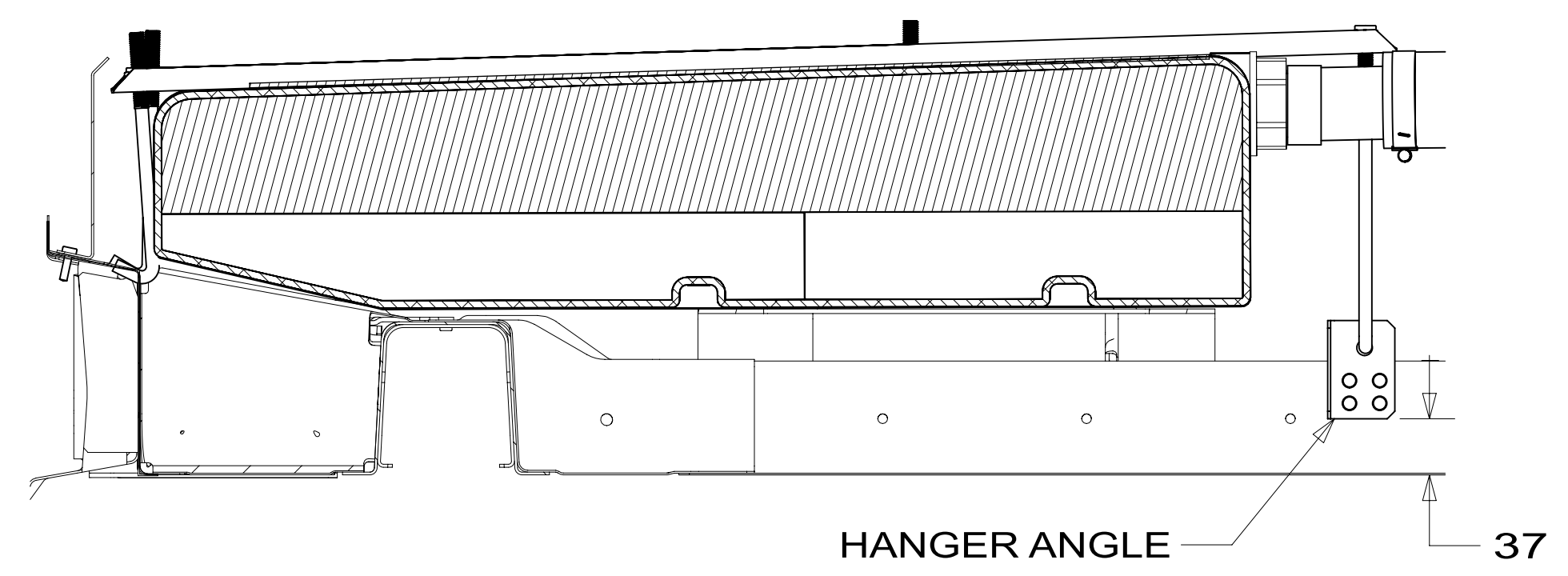
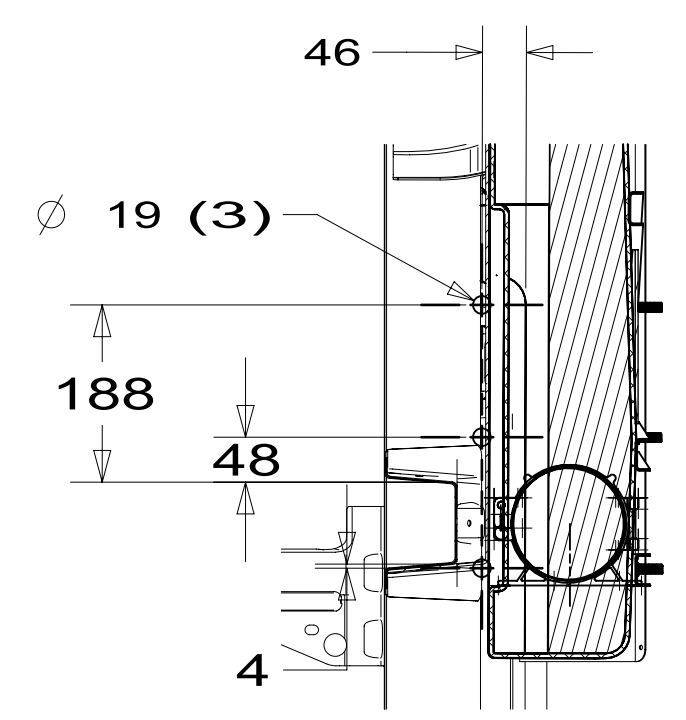
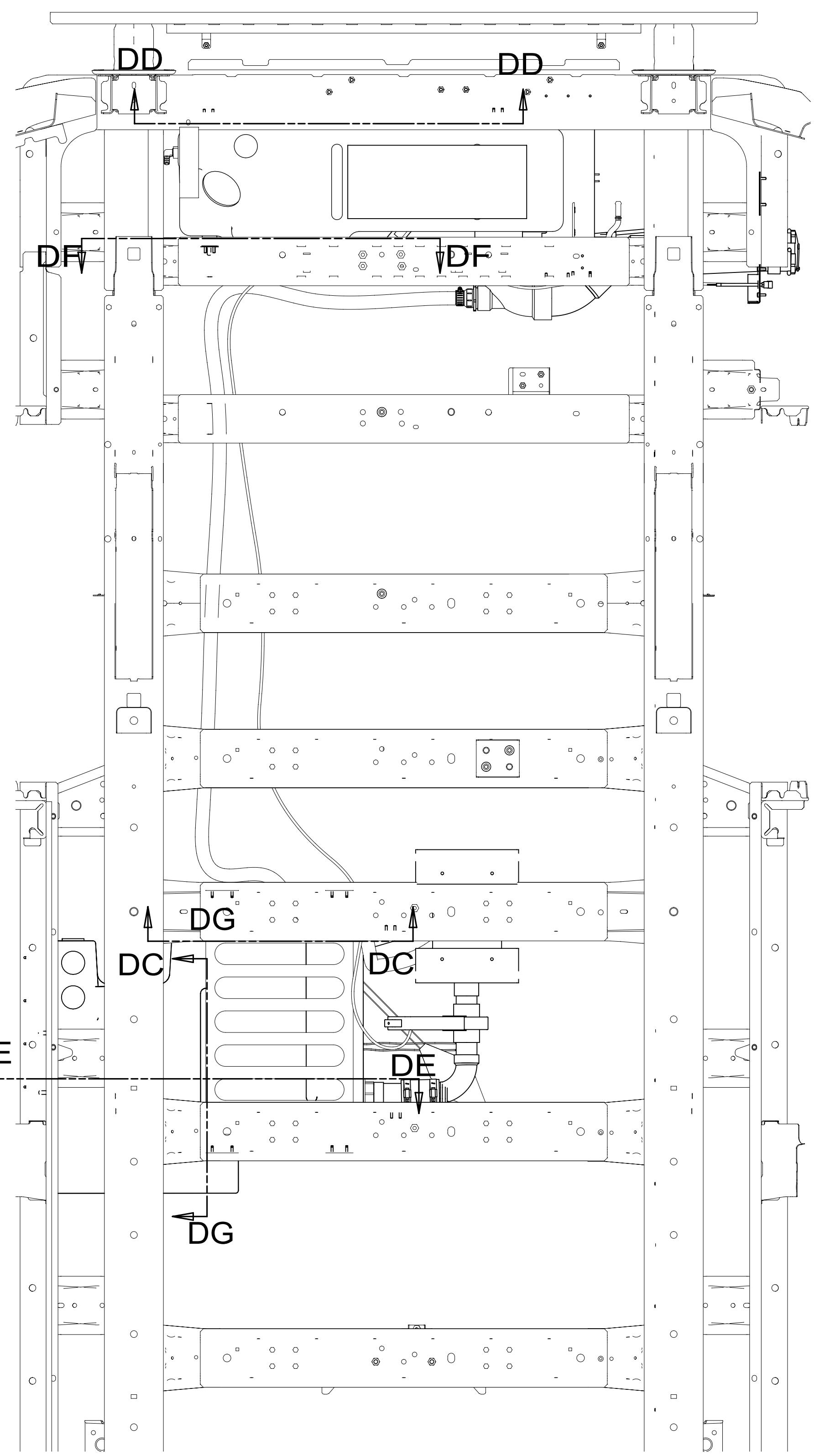
NOTES:



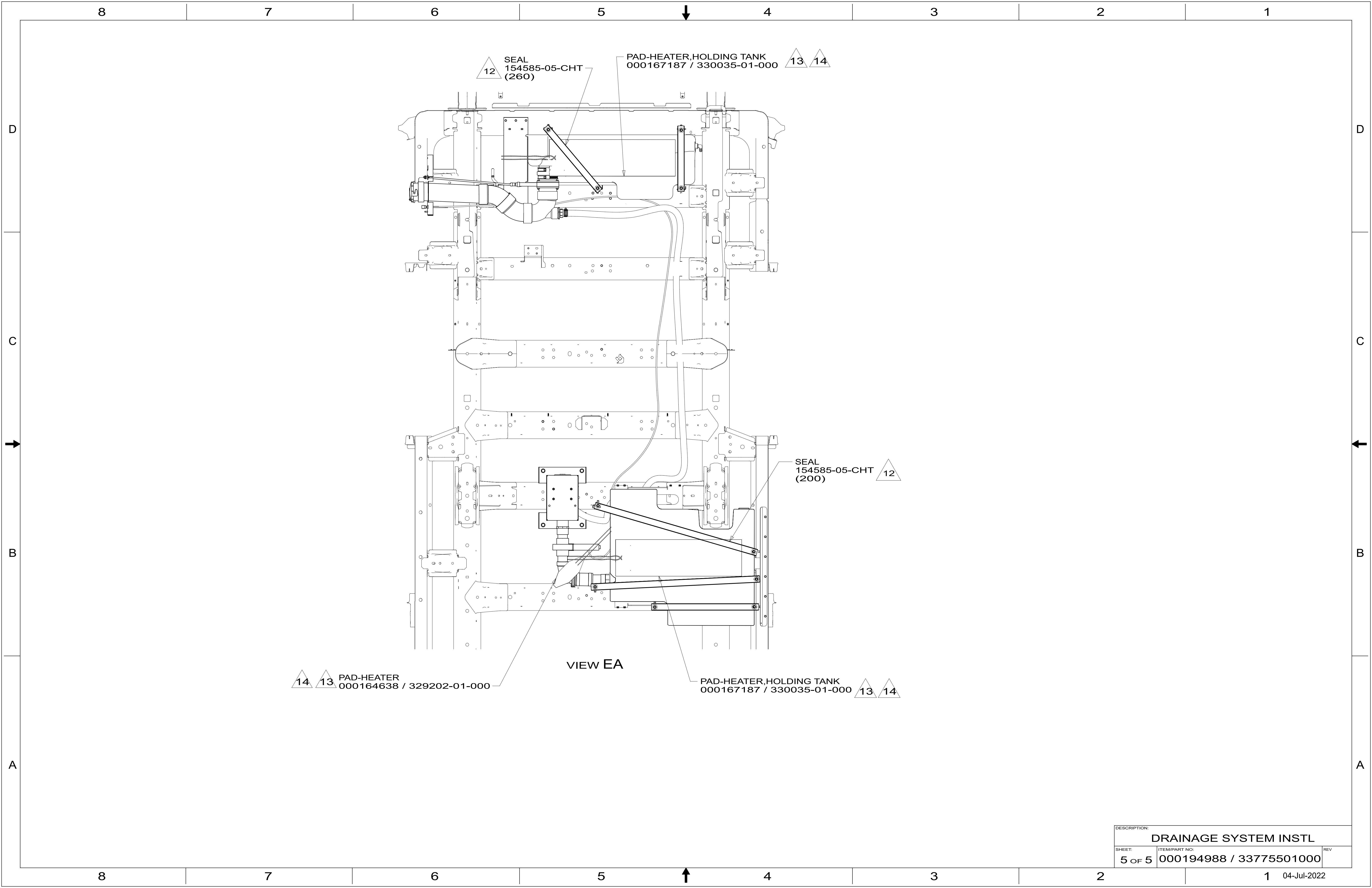
DESCRIPTION:		
DRAINAGE SYSTEM INSTL		
SHEET:	ITEM/PART NO.:	REV
2 OF 5	000194988 / 33775501000	



DESCRIPTION: DRAINAGE SYSTEM INSTL		
SHEET: 3 OF 5	ITEM/PART NO: 000194988 / 33775501000	REV



DESCRIPTION:		
DRAINAGE SYSTEM INSTL		
SHEET:	ITEM/PART NO.:	REV
4 OF 5	000194988 / 33775501000	



12 SEAL
154585-05-CHT
(260)

PAD-HEATER, HOLDING TANK
000167187 / 330035-01-000

13 14

SEAL
154585-05-CHT
(200) 12

14 13 PAD-HEATER
000164638 / 329202-01-000

VIEW EA

PAD-HEATER, HOLDING TANK
000167187 / 330035-01-000 13 14

DESCRIPTION: DRAINAGE SYSTEM INSTL		
SHEET: 5 OF 5	ITEM/PART NO.: 000194988 / 33775501000	REV