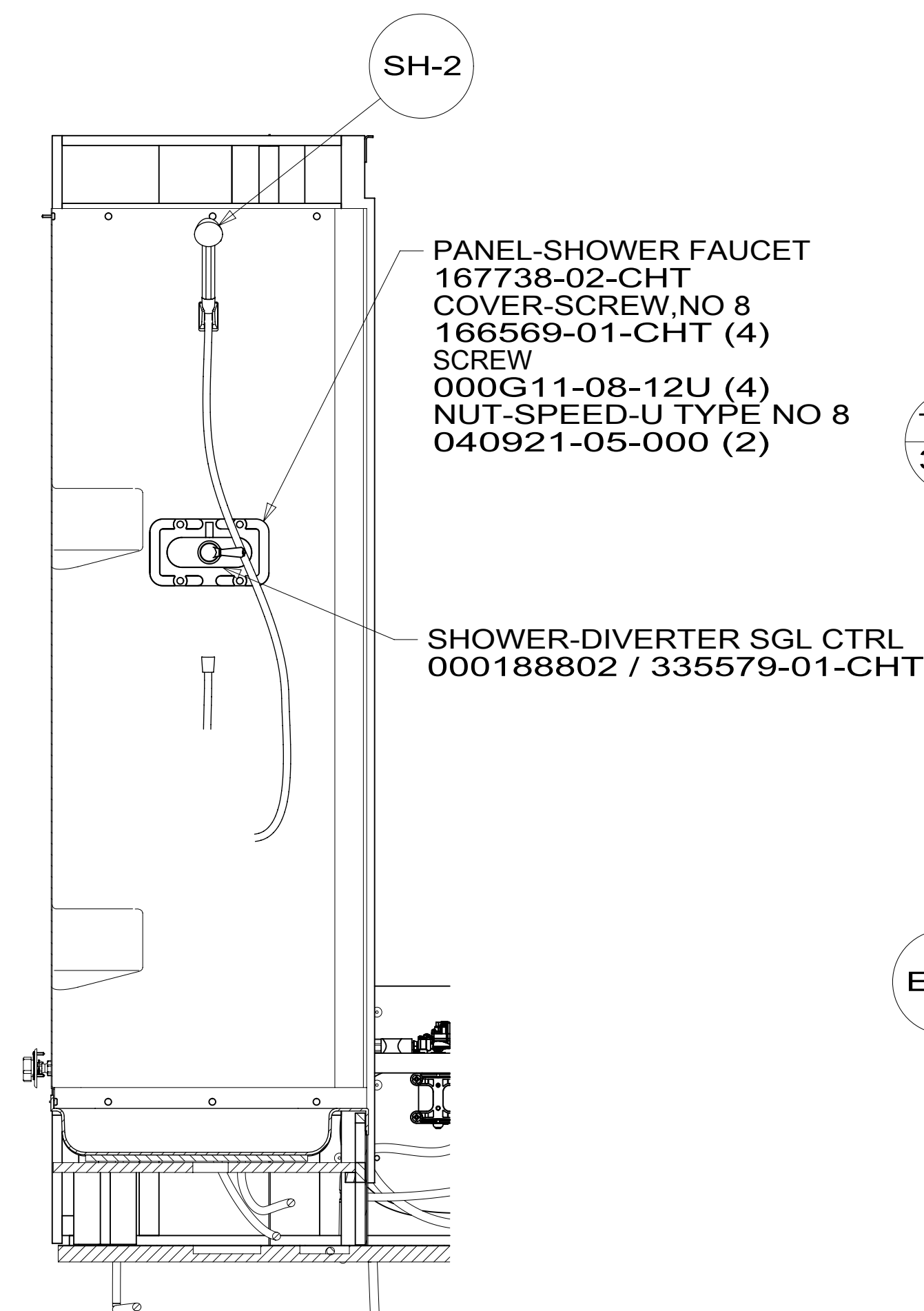


- 9. ALL CRIMP FITTINGS TO 3/4" PEX TUBING REQUIRE 3/4" CLAMP 000156247 / 326668-01-000.
- 8. ALL CRIMP FITTINGS TO 1/2" PEX TUBING REQUIRE 1/2" CLAMP 000156249 / 326670-01-000.
- 7. ALL CRIMP FITTINGS TO 5/8" FLEX TUBING REQUIRE 5/8" CLAMP 000156248 / 326669-01-000.
- 6 LABEL HOT AND COLD SUPPLY TUBES AND TAPE FITTING TO TUBE BEFORE CABINET SET TO PREVENT MOVEMENT.
- 5 ADD PIPE WRAP (LADDER SCRAP 110157-02-000) INSULATION.
- 4 ADD TEFLON TAPE 010405-01-000.
- 3. ALL TUBING TO BE SECURED AT 1200 INTERVALS MAXIMUM WITH CLAMP 010495-01-000 AND SCREW 000G67-10-12U OR EQUIVALENT.
- 2. TUBING TO BE INSTALLED WITH SUFFICIENT SLOPE TO PROVIDE DRAINAGE TO NEAREST VALVE.
- 1. PLASTIC FITTINGS TO BE SEALED WITH SEALANT 084456-01-000.

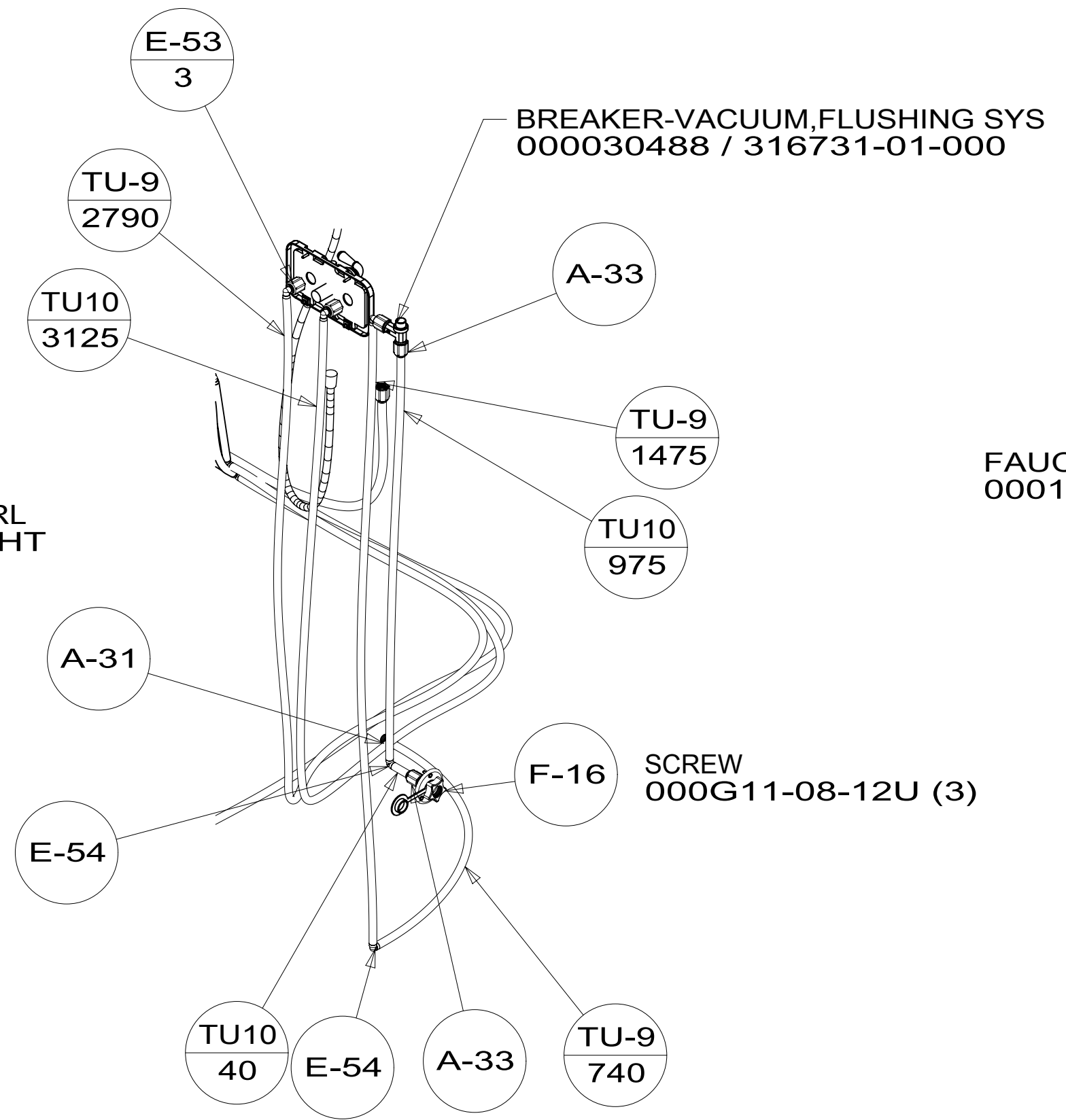
NOTES:

X-X  
 FOR WATER CALLOUTS SEE DWG NO. 000209446 / 303369-01-000

<b>WINNEBAGO</b> <sup>®</sup>			
COPYRIGHT 2018 WINNEBAGO INDUSTRIES, INC.			
DSNR:		ALL DIMENSIONS ARE IN MILLIMETERS	
DIFTR:			
UNSPECIFIED TOLERANCES:	MATERIAL:		
WHOLE DIM (X) :	3		
ONE-PLACE (X.X) :	1.5		
TWO-PLACE (X.XX) :	0.50		
ANGLE :	1°		
REFER TO ES0018 FOR FASTENER TIGHTENING GUIDELINES		WEIGHT: (LBS)	FIRST USED: (REF)
		-	20 C24P
DESCRIPTION: WATER SYSTEM INSTL			
SHEET:	ITEM/PART NO.:	REV:	
1 OF 3	000188385 / 33543001000		
REF:		1 28-Jan-2021	



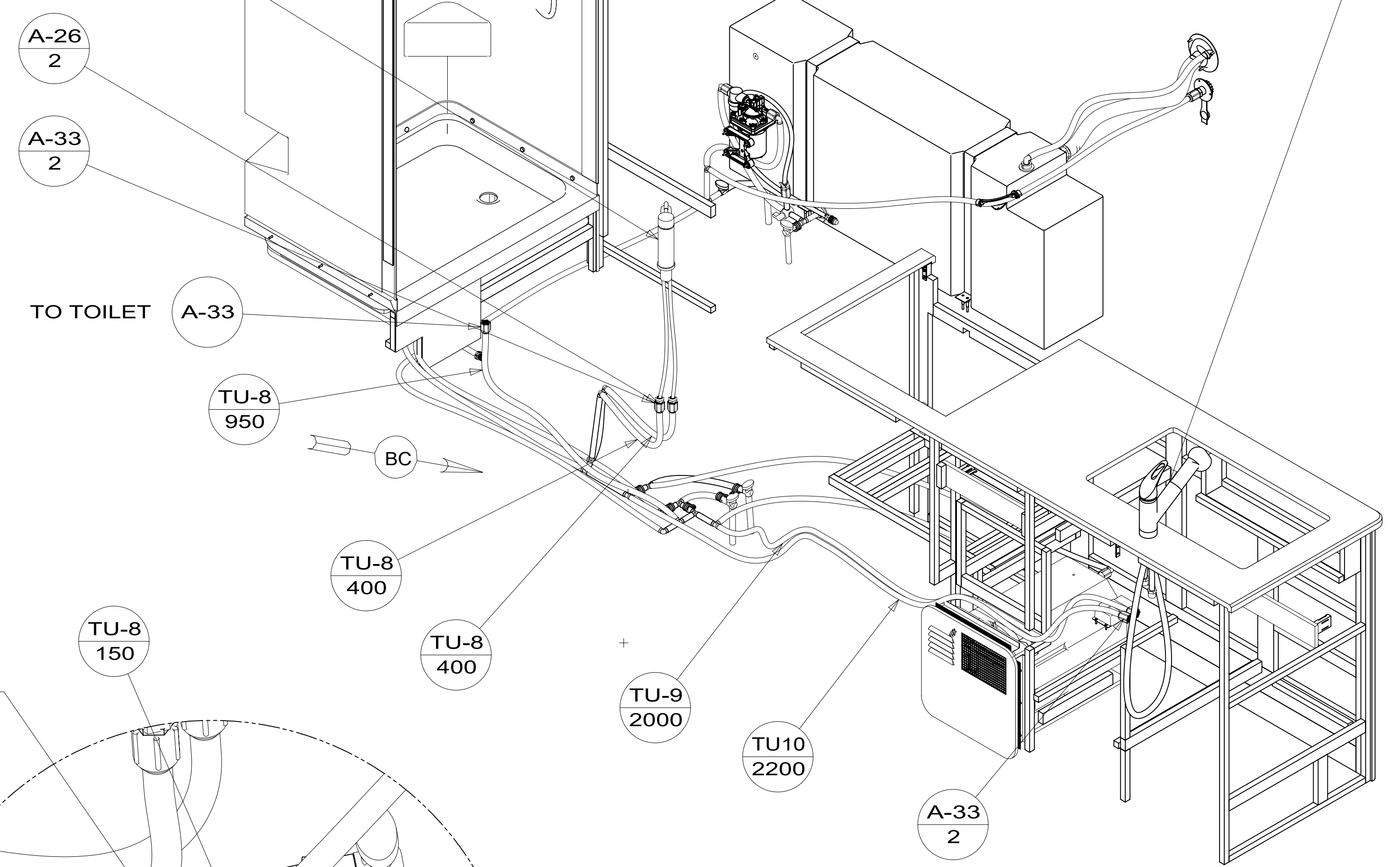
SECTION BB-BB



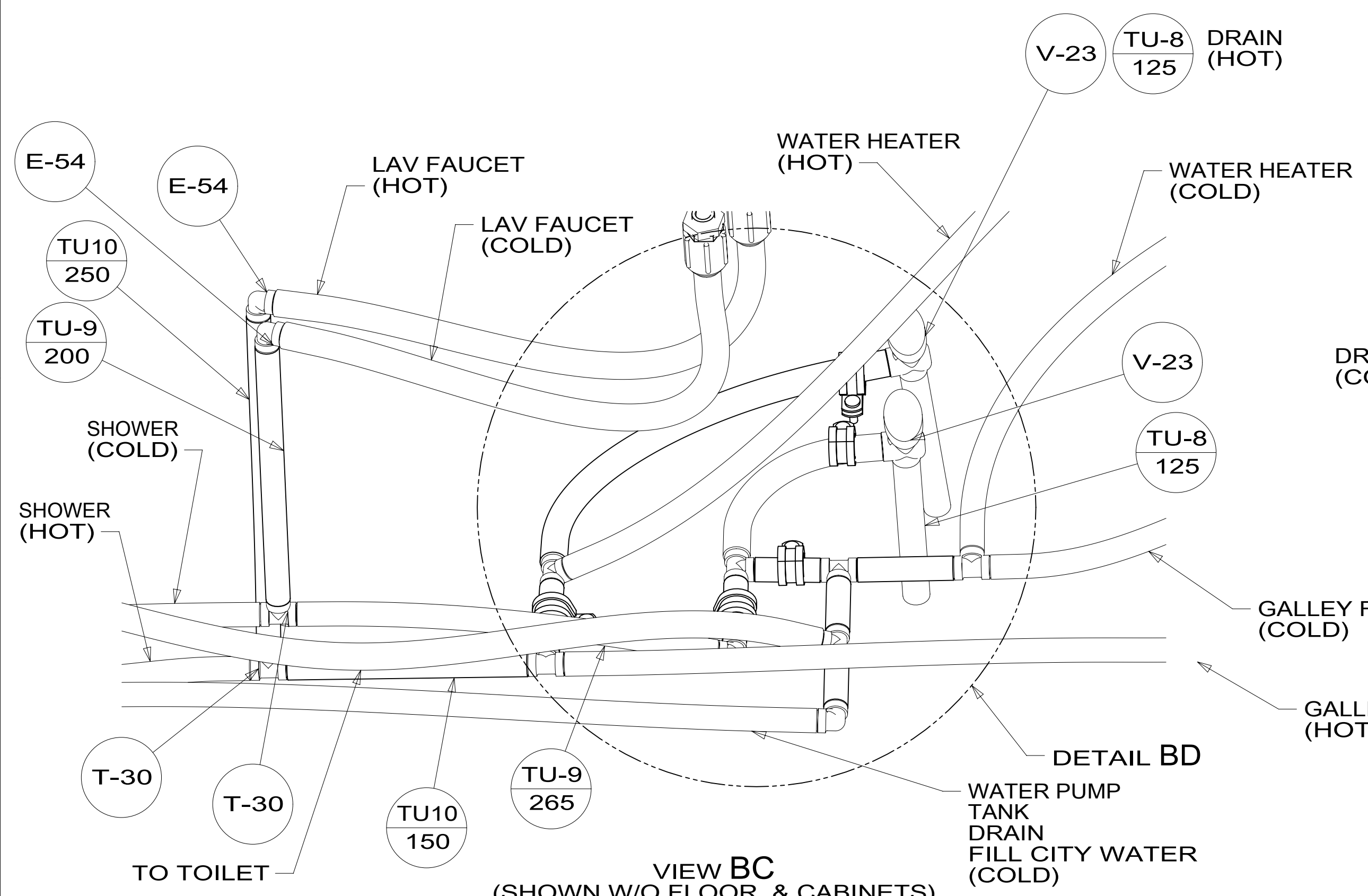
VIEW BE  
(SHOWN W/O FLOOR, CABINETS & SHOWER)

FAUCET-LAV, SGL CTRL 170  
000187251 / 335225-01-CHT

FAUCET-GALLEY PULLOUT  
000188788 / 335576-01-CHT

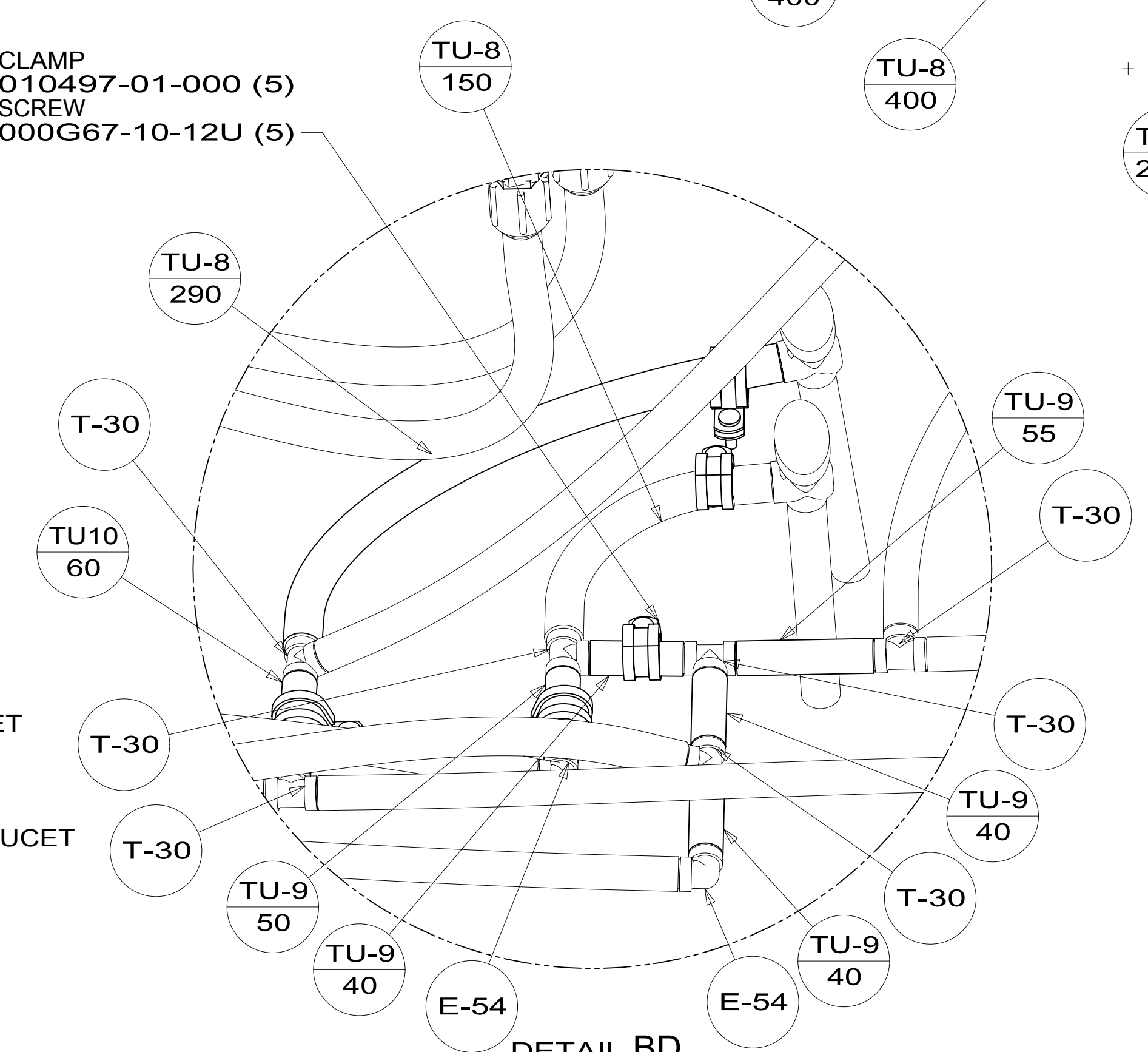


VIEW BA



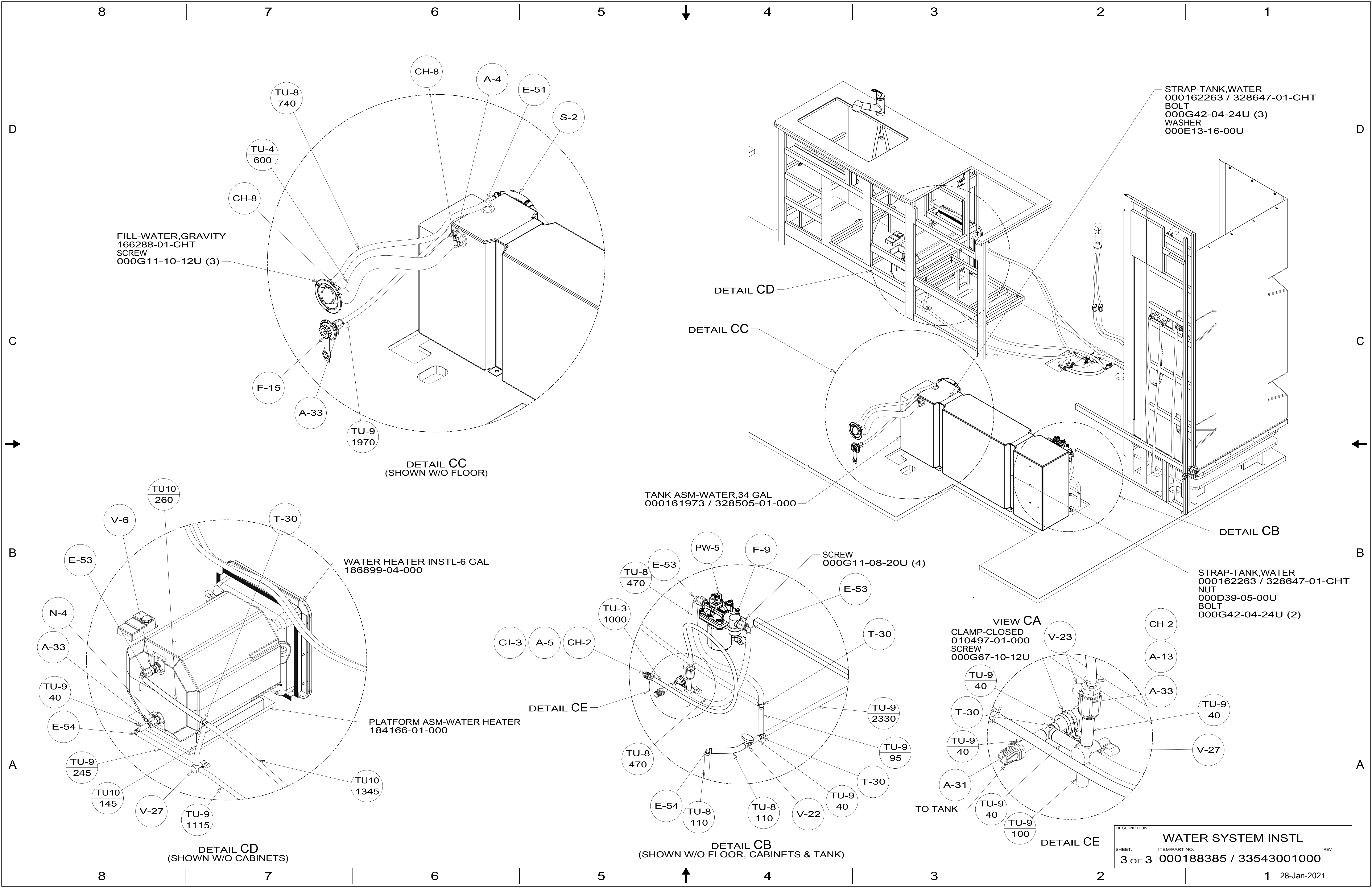
VIEW BC  
(SHOWN W/O FLOOR & CABINETS)

CLAMP 010497-01-000 (5)  
SCREW 000G67-10-12U (5)



DETAIL BD

DESCRIPTION:		
<b>WATER SYSTEM INSTL</b>		
SHEET:	ITEM/PART NO:	REV
2 OF 3	000188385 / 33543001000	



DESCRIPTION:		
WATER SYSTEM INSTL		
SHEET:	ITEM/PART NO:	REV
3 OF 3	000188385 / 33543001000	